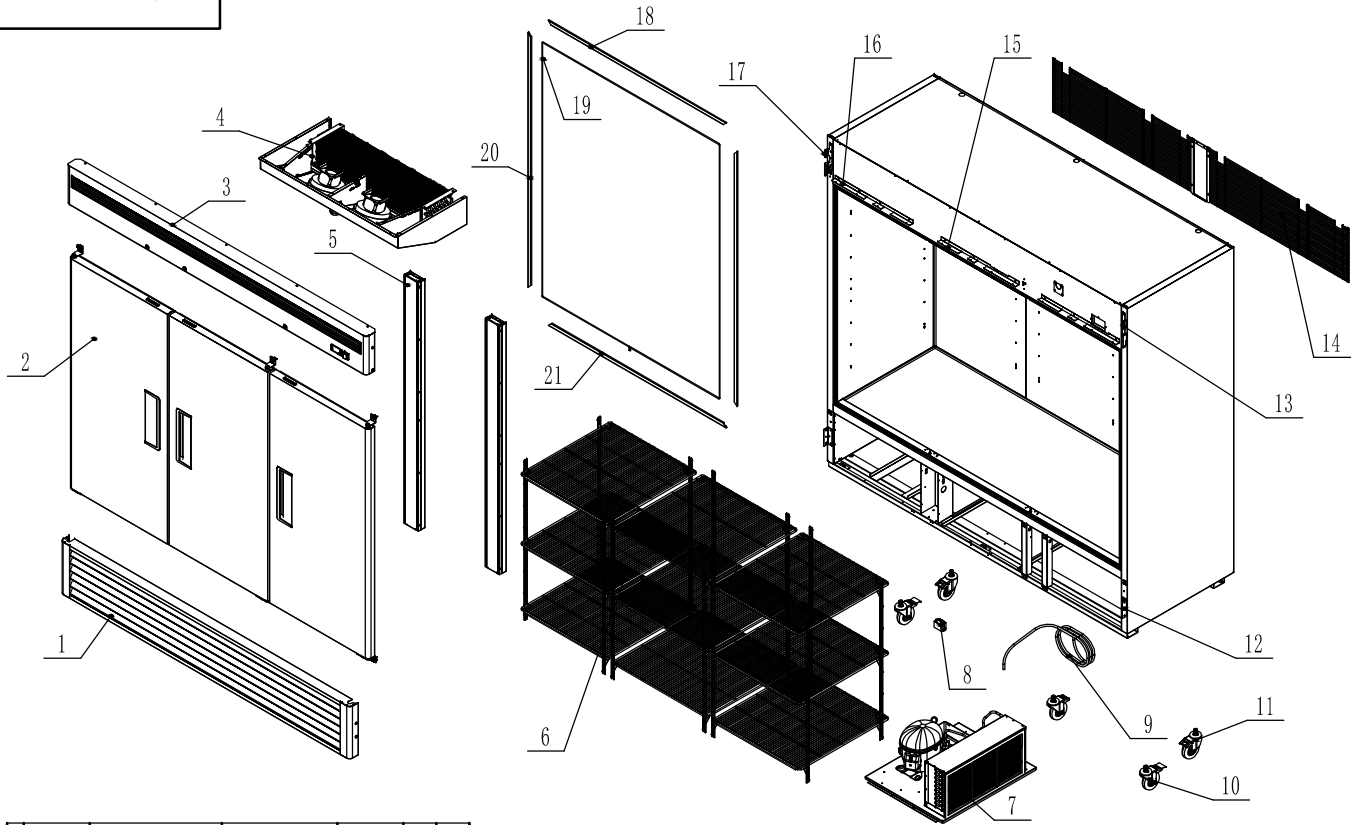
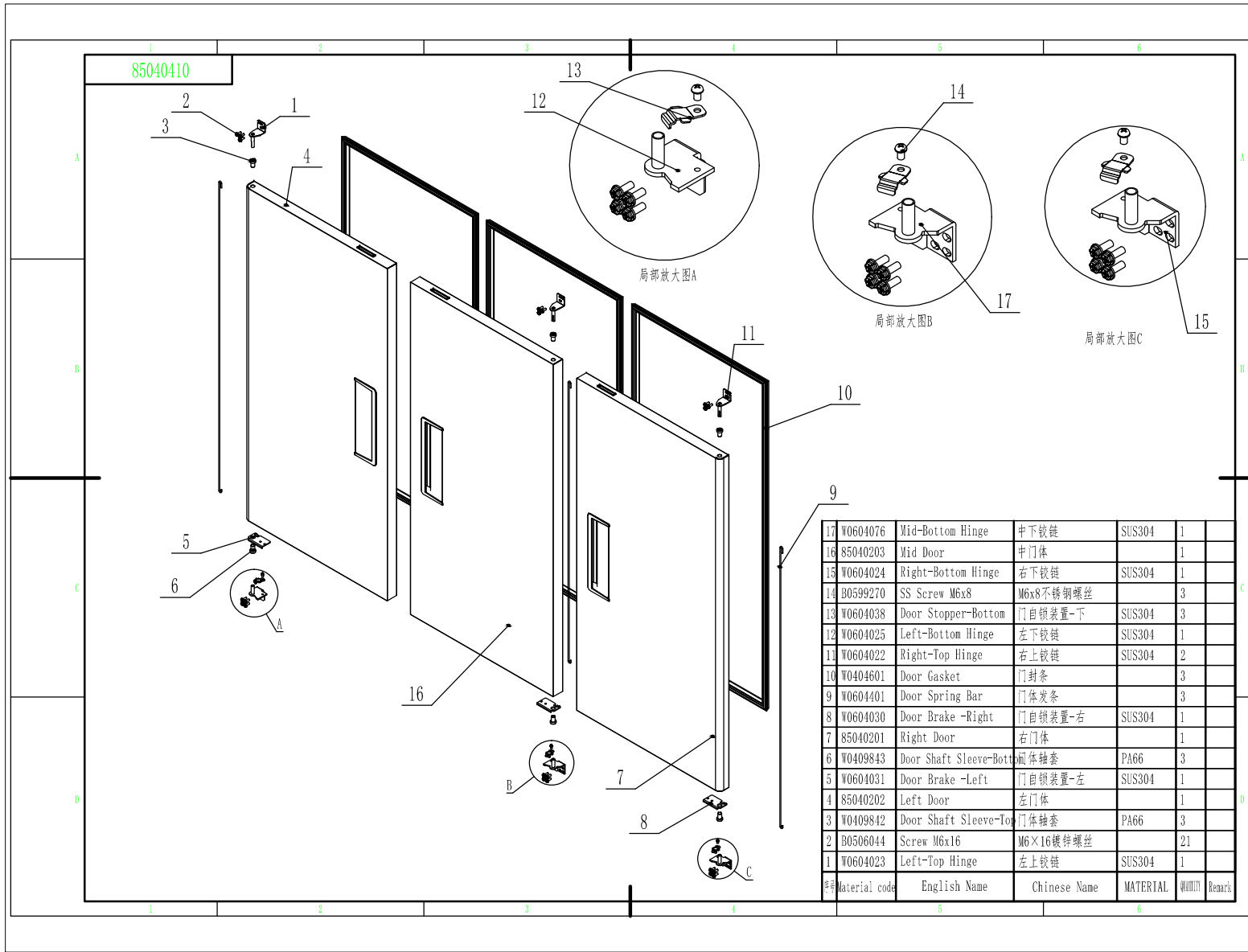


MBF8504 ATOSA 208"230V/115V



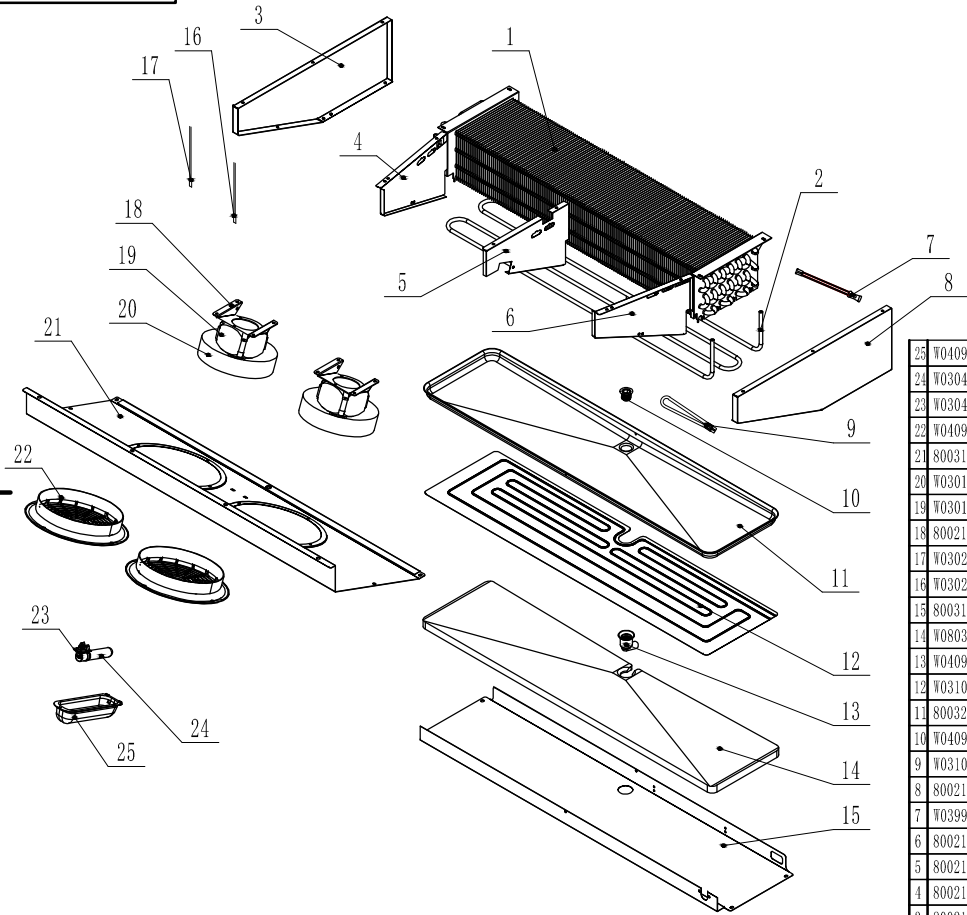
21	W0410464	Bottom Frame Cover	箱体接口盖(下)	1															
20	W0410446	Left-Right Frame Cover	箱体接口盖(左)(右)	2		13	85041609	Right-top Fastener For Top Panel	前罩板(右)(上)固定件	1				6	85040413	Shelf Assembly	食品架组件	1	
19	W0310099	Cabinet Wire Heater	箱体加热带	1		12	85041801	Fastener For Bottom Panel	下罩板固定件	2				5	85030405	Mullion Assembly	中梁组件	2	
18	W0410463	Top Frame Cover	箱体接口盖(上)	1		11	B0604421	4" Castor With Brake	4寸带刹车重磅万向轮(脚轮)	3				4	85040412	Evaporator Assembly	蒸发器组件	1	
17	85041610	Left-top Fastener For Top Panel	前罩板(左)(上)固定件	1		10	B0604413	4" Castor Without Brake	4寸重磅万向轮(脚轮)	2				3	85040411	Top Panel Assembly	上前罩板组件	1	
16	85041612	Left-bottom Fastener For Top Panel	前罩板(左)(下)固定件	1		9	W0210336	Low Pressure Coil Back to Compressor	回气管(B)	1				2	85040410	Door Assembly	门体组件	1	
15	85041611	Right-bottom Fastener For Top Panel	前罩板(右)(下)固定件	2		8	W0307007	Relay	电磁式继电器	1				1	85040401	Bottom Panel	下前罩板组件	1	
14	W0402635	Back Bottom Barrier	机械室保护网	2		7	85040414	Comp&Cond Assembly	冷凝机组	1				Material code	English Name	Chinese Name	MATERIAL	Q/M/T	Remark



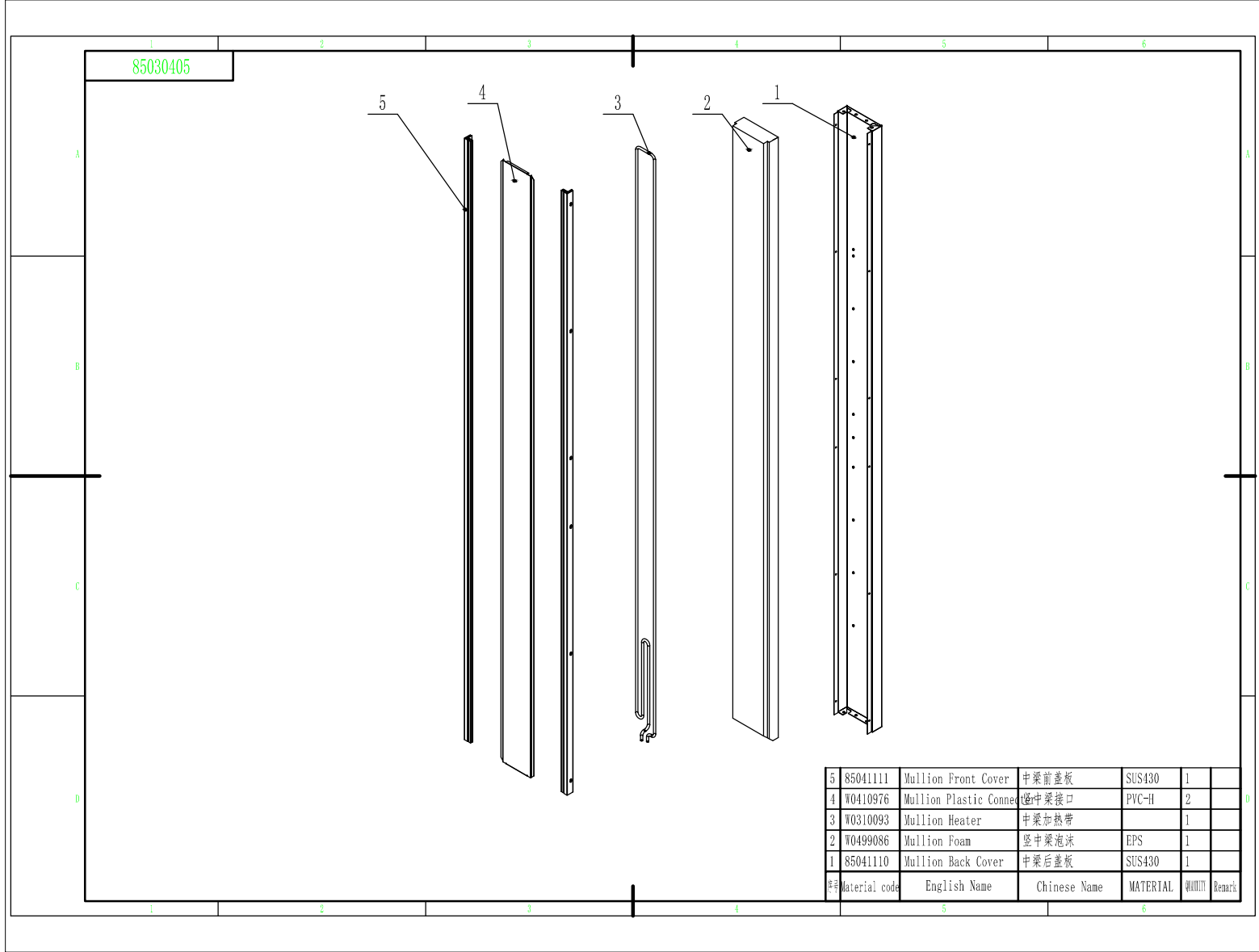
17	W0604076	Mid-Bottom Hinge	中下铰链	SUS304	1	
16	85040203	Mid Door	中门体		1	
15	W0604024	Right-Bottom Hinge	右下铰链	SUS304	1	
14	B0599270	SS Screw M6x8	M6x8不锈钢螺丝		3	
13	W0604038	Door Stopper-Bottom	门自锁装置-下	SUS304	3	
12	W0604025	Left-Bottom Hinge	左下铰链	SUS304	1	
11	W0604022	Right-Top Hinge	右上铰链	SUS304	2	
10	W0404601	Door Gasket	门封条		3	
9	W0604401	Door Spring Bar	门体发条		3	
8	W0604030	Door Brake -Right	门自锁装置-右	SUS304	1	
7	85040201	Right Door	右门体		1	
6	W0409843	Door Shaft Sleeve-Bott	门体轴套	PA66	3	
5	W0604031	Door Brake -Left	门自锁装置-左	SUS304	1	
4	85040202	Left Door	左门体		1	
3	W0409842	Door Shaft Sleeve-Top	门体轴套	PA66	3	
2	B0506044	Screw M6x16	M6×16镀锌螺丝		21	
1	W0604023	Left-Top Hinge	左上铰链	SUS304	1	
材料号	Material code	English Name	Chinese Name	MATERIAL	数量	Remark



85040412

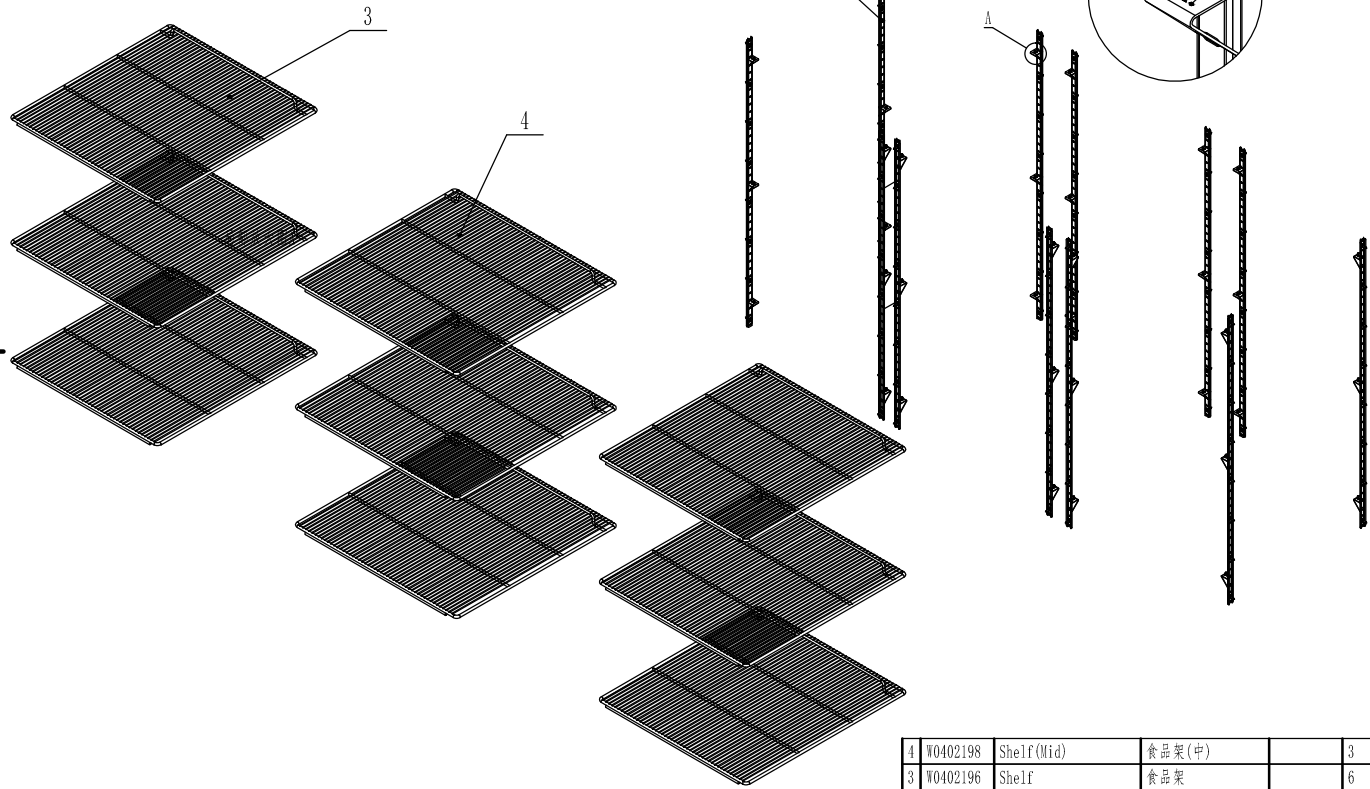


25	W0409863	Lamp Cover	灯罩	PC1302	1	
24	W0304512	Lamp	灯		1	
23	W0304508	Lamp Socket	灯座		1	
22	W0409864	Evap Fan Motor Cover	蒸发风机罩	ABS	2	
21	80031202	Evap Front Cover	蒸发前盖板	SUS430	1	
20	W0301059	Evap Fan Blade	蒸发风叶	AL/φ172	2	
19	W0301904	Evap Fan Motor	蒸发风机		2	
18	80021501	Evap Fan Bracket	蒸发风机支架	SUS304	2	
17	W0302305	Evap Temp Probe	化霜探头		1	
16	W0302304	Room Temp Probe	感温探头		1	
15	80031201	Drain Pan Cover	蒸发后盖板	SUS430	1	
14	W0803013	Drain Pan Foam	接水盘泡沫	EPS	1	
13	W0409858	Drain Hose Connector	排水管连接器A	PA66	1	
12	W0310077	Drain Pan Heater	接水盘加热带		1	
11	80032001	Drain Pan	铝制接水盘	AL	1	
10	W0409859	Drain Hose Connector	排水管连接器B	PA66	1	
9	W0310068	Drain Hose Heater	排水管加热带		1	
8	80021206	Evap Right Cover	蒸发右挡板	SUS430	1	
7	W0399080	Defrost Heater Fuse	化霜感温包(突跳式开关)		1	
6	80021204	Right Air Lane Cover	蒸发空气右挡板	SUS430	1	
5	80021205	Middle Air Lane Cover	蒸发空气中挡板	SUS430	1	
4	80021203	Left Air Lane Cover	蒸发空气左挡板	SUS430	1	
3	80021206	Evap Left Cover	蒸发左挡板	SUS430	1	
2	W0311043	Defrost Heater	化霜加热管		1	
1	W0202116	Evaporator	蒸发器	AL TP2-M	1	
料号	Material code	English Name	Chinese Name	MATERIAL	数量	Remark



5	85041111	Mullion Front Cover	中梁前盖板	SUS430	1	
4	W0410976	Mullion Plastic Connector	中梁接口	PVC-H	2	
3	W0310093	Mullion Heater	中梁加热带		1	
2	W0499086	Mullion Foam	中梁泡沫	EPS	1	
1	85041110	Mullion Back Cover	中梁后盖板	SUS430	1	
材料	Material code	English Name	Chinese Name	MATERIAL	数量	Remark

85040413



4	W0402198	Shelf(Mid)	食品架(中)		3	
3	W0402196	Shelf	食品架		6	
2	00542013	Shelf Clip	食品架搁脚	SUS430	36	
1	80037410	Pilastor For Shelf	食品架隔条	SUS430	12	
料号	Material code	English Name	Chinese Name	MATERIAL	数量	Remark

