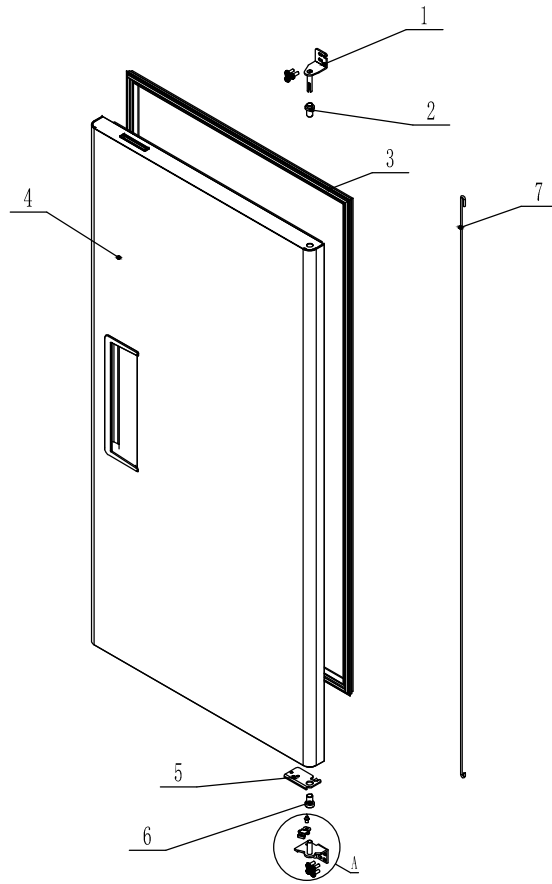


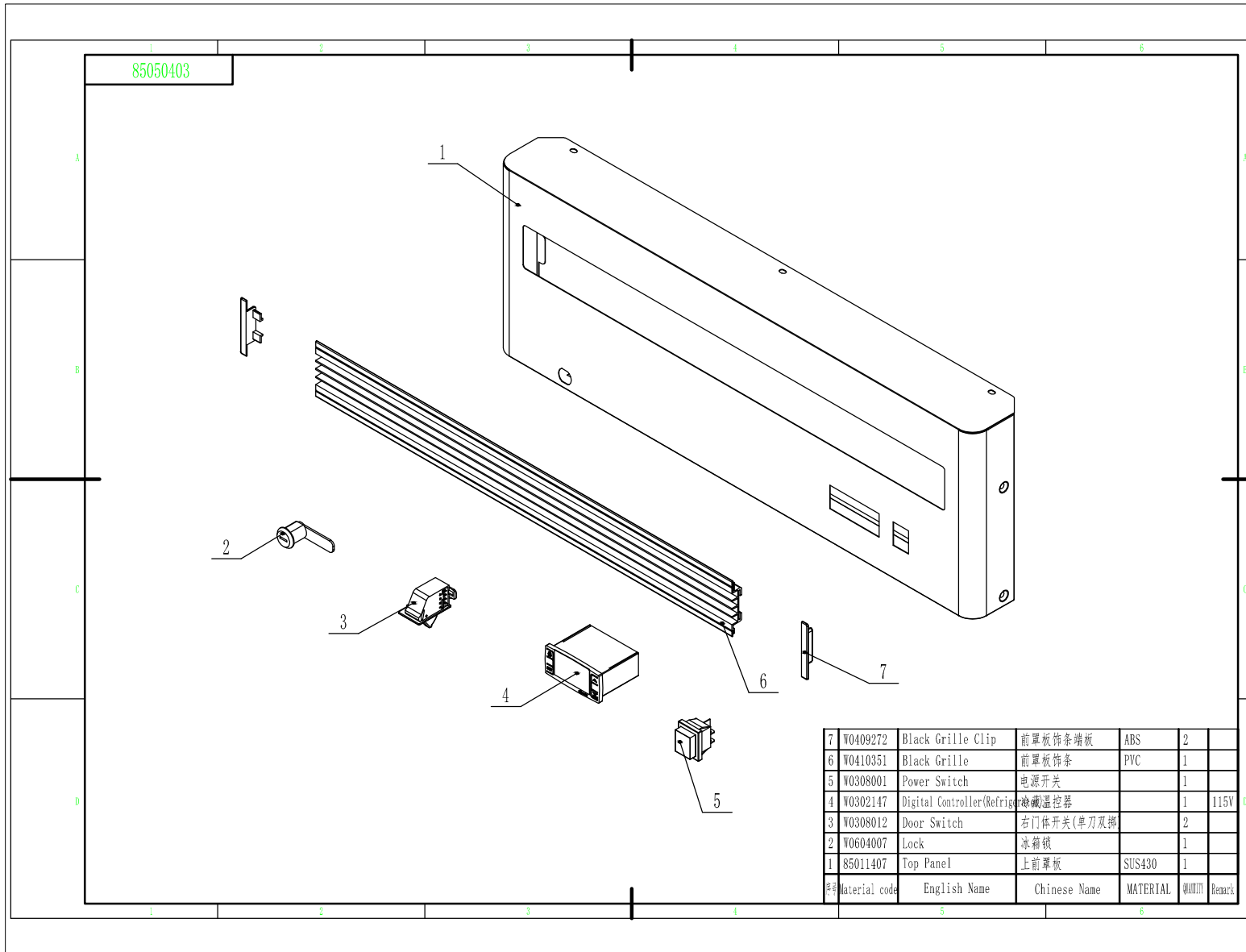


85010402



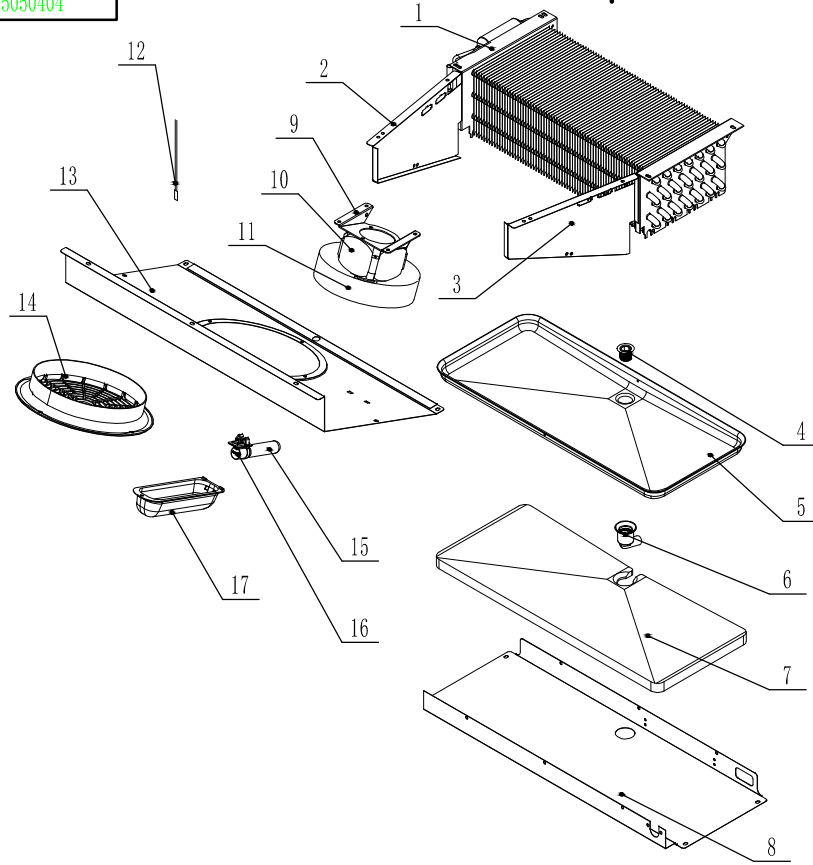
局部放大图A

14	B0506044	Screw M6x16	M6x16十字槽六角头螺栓		7	
13	W0604024	Right-Bottom Hinge	右下铰链	SUS304	1	
12	B0599270	SS Screw M6x8	M6x8不锈钢螺丝		1	
11	W0604038	Door Stopper-Bottom	门自锁装置-下	SUS304	1	
7	W0604401	Door Spring Bar	门体发条		1	
6	W0409843	Door Shaft Sleeve-Bottom	门体轴套	PA66	1	
5	W0604030	Door Brake -Right	门自锁装置-右	SUS304	1	
4	85010201	Right Door	右门体		1	
3	W0404601	Door Gasket	门封条		1	
2	W0409842	Door Shaft Sleeve-Top	门体轴套	PA66	1	
1	W0604022	Right-Top Hinge	右上铰链	SUS304	1	
材料	Material code	English Name	Chinese Name	MATERIAL	数量	Remark



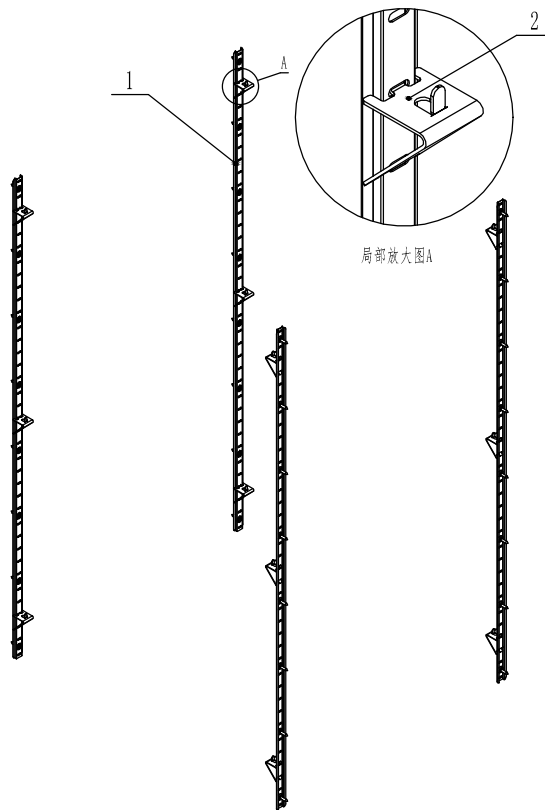
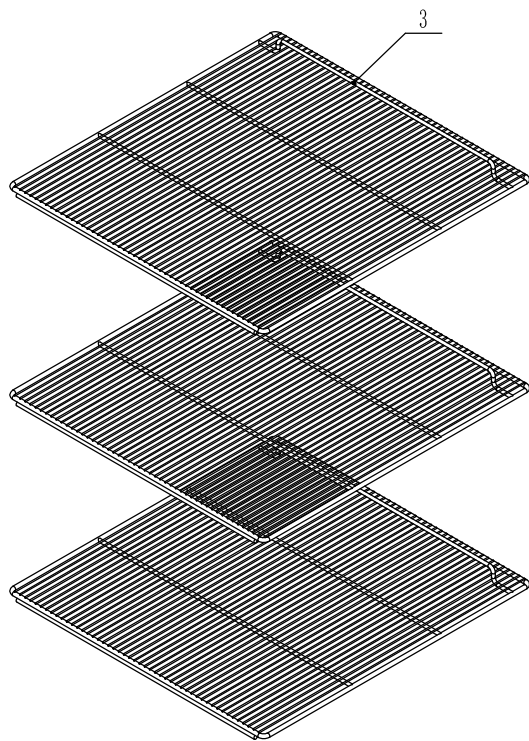
7	W0409272	Black Grille Clip	前罩板饰条端板	ABS	2	
6	W0410351	Black Grille	前罩板饰条	PVC	1	
5	W0308001	Power Switch	电源开关		1	
4	W0302147	Digital Controller/Refrigerator	冷藏温控器		1	115V
3	W0308012	Door Switch	右门体开关(单刀双掷)		2	
2	W0604007	Lock	冰箱锁		1	
1	85011407	Top Panel	上前罩板	SUS430	1	
料号	Material code	English Name	Chinese Name	MATERIAL	数量	Remark

85050404



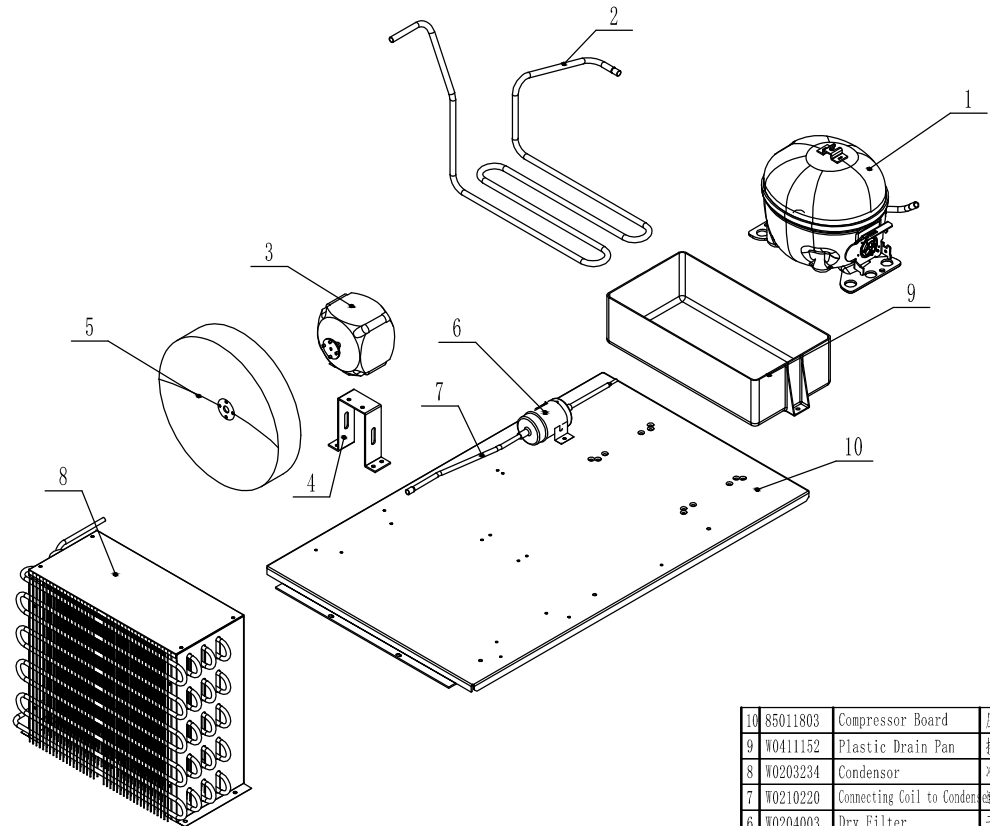
17	W0409863	Lamp Cover	灯罩	PC1302	1	
16	W0304508	Lamp Socket	灯座		1	
15	W0304512	Lamp	灯		1	
14	W0409864	Evap Fan Motor Cover	蒸发风机罩	ABS	1	
13	85011202	Evap Front Cover	蒸发前盖板	SUS430	1	
12	W0302304	Room Temp Probe	感温探头		1	
11	W0301059	Evap Fan Blade	蒸发风叶	AL/φ172	1	
10	W0301904	Evap Fan Motor	蒸发风机		1	
9	80021501	Evap Fan Bracket	蒸发风机支架	SUS304	1	
8	85011201	Drain Pan Cover	蒸发后盖板	SUS430	1	
7	W0803011	Drain Pan Foam	接水盘泡沫	EPS	1	
6	W0409858	Drain Hose Connector	排水管连接器A	PA66	1	
5	80012001	Drain Pan	铝制接水盘	AL	1	
4	W0409859	Drain Hose Connector	排水管连接器B	PA66	1	
3	80021204	Evap Right Cover	蒸发空气右挡板	SUS430	1	
2	80021203	Evap Left Cover	蒸发空气左挡板	SUS430	1	
1	W0202117	Evaporator	蒸发器	AL TP2-M	1	
材料	Material code	English Name	Chinese Name	MATERIAL	数量	Remark

85010405



3	W0402195	Shelf	食品架		3	
2	00542013	Shelf Clip	食品架搁脚	SUS430	12	
1	80037410	Pilaster For Shelf	食品架隔条	SUS430	4	
料号	Material code	English Name	Chinese Name	MATERIAL	数量	Remark

85050405



10	85011803	Compressor Board	压缩机底板	GI	1	
9	W0411152	Plastic Drain Pan	接水盘	ABS	1	
8	W0203234	Condensor	冷凝器	GI TP2-M	1	
7	W0210220	Connecting Coil to Condens	连接管(冷凝器-干燥过滤器)	TP2-M	1	
6	W0204003	Dry Filter	干燥过滤器		1	
5	W0301061	Condenser Fan Blade	冷凝风机叶	AL/φ230	1	
4	80031601	Condenser Fan Bracket	冷凝风机支架	GI	1	
3	W0301905	Condenser Fan Motor	冷凝风机		1	
2	W0210338	High Pressure Coil	散热管	TP2-M	1	
1	W0201826	Compressor	压缩机		1	
材料	Material code	English Name	Chinese Name	MATERIAL	数量	Remark