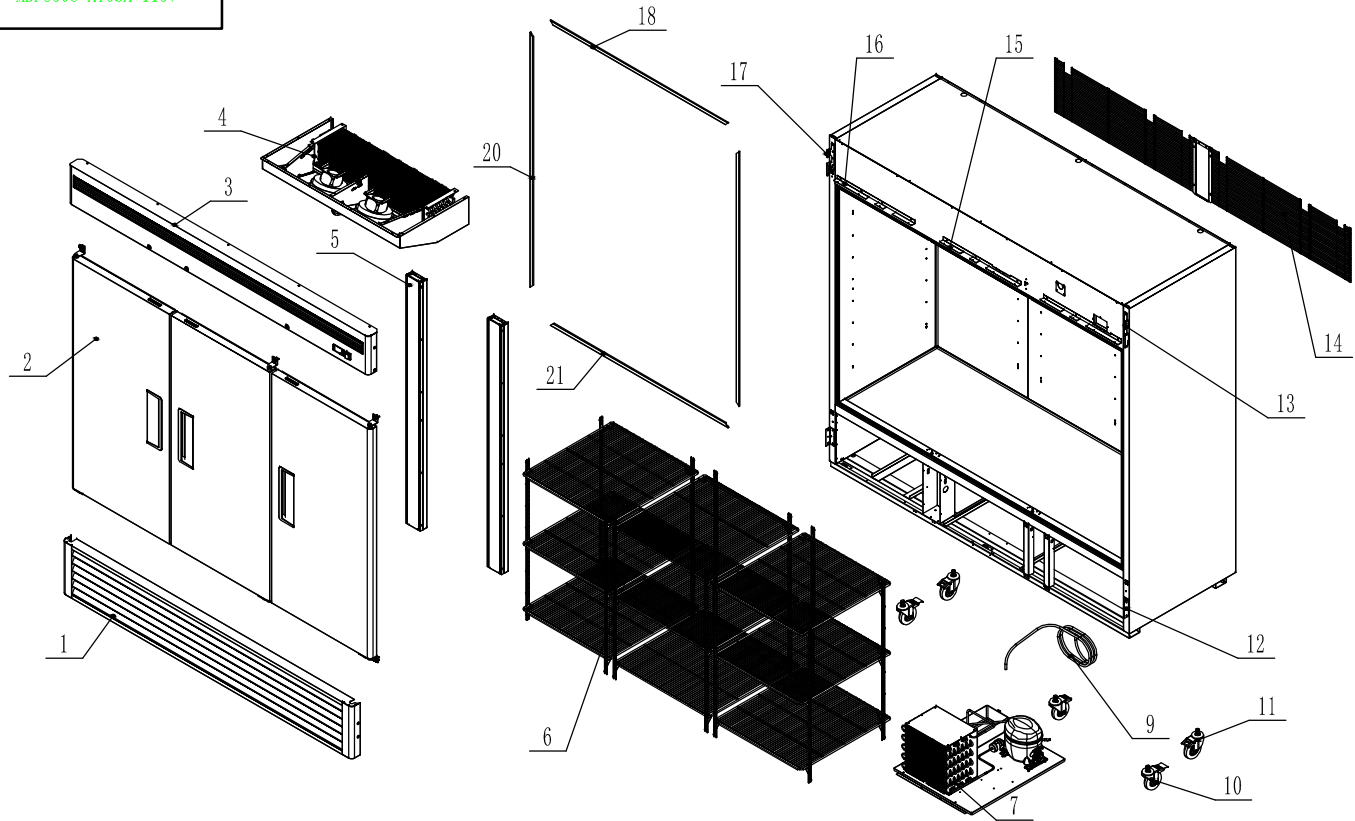
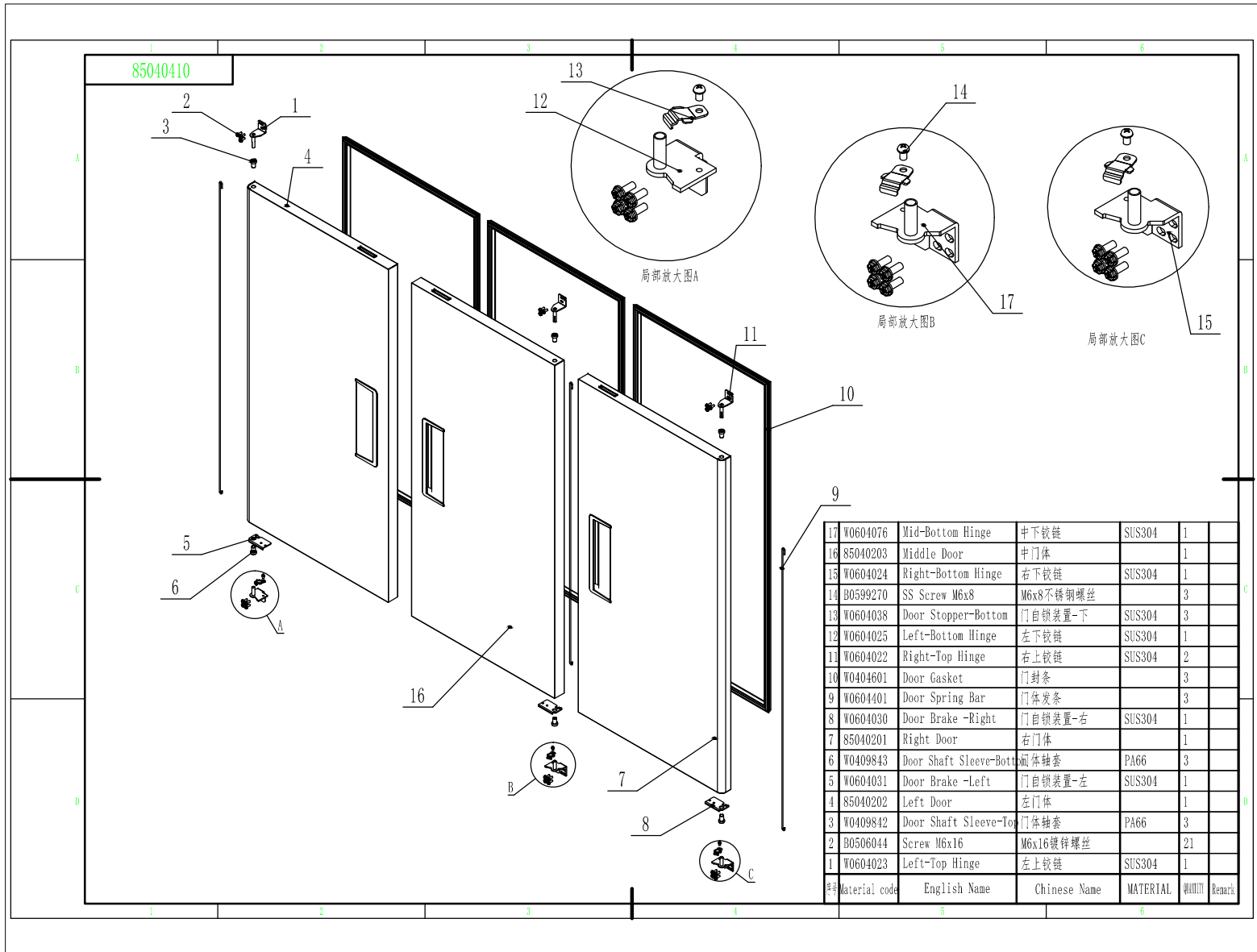


MBF8508 ATOSA 115V



21	W0410464	Bottom Frame Cover	箱体接口盖(下)	1		13	85041609	Right-top Fastener For Top Panel	前罩板(右)(上)固定件	1		6	85040413	Shelf Assembly	食品架组件	1	
20	W0410446	Left-Right Frame Cover	箱体接口盖(左)(右)	2		14	W0402635	Back Bottom Barrier	机械室保护网	2		5	85070405	Mullion Assembly	中梁组件	2	
18	W0410463	Top Frame Cover	箱体接口盖(上)	1		12	85041801	Fastener For Bottom Panel	下罩板固定件	2		4	85080411	Evaporator Assembly	蒸发器组件	1	
17	85041610	Left-top Fastener For Top Panel	前罩板(左)(上)固定件	1		11	B0604421	4" Castor Without Brake	4吋带刹手重磅万向轮(脚轮)	3		3	85080410	Top Panel Assembly	上前罩板组件	1	
16	85041612	Left-bottom Fastener For Top Panel	前罩板(左)(下)固定件	1		10	B0604413	4" Castor With Brake	4吋重磅万向轮(脚轮)	2		2	85040410	Door Assembly	门体组件	1	
15	85041611	Right-bottom Fastener For Top Panel	前罩板(右)(下)固定件	2		9	W0210344	Low Pressure Coil Back to Coil	回气管(B)	1		1	85040401	Bottom Panel	下前罩板组件	1	
						7	85080412	Comp&Cond Assembly	冷凝机组	1		Material code	English Name	Chinese Name	MATERIAL	Q/M/T	Remark



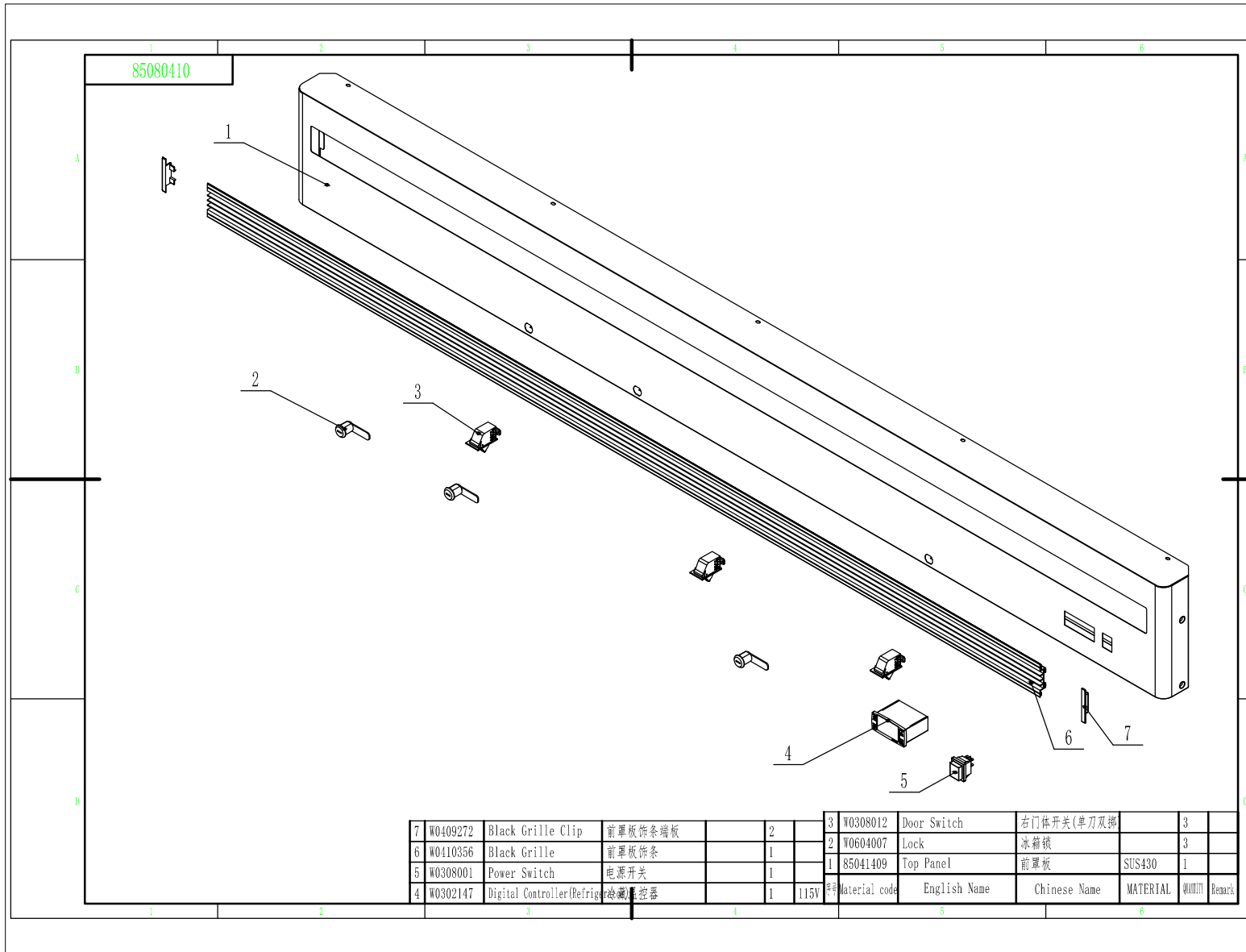
85040410

局部放大图A

局部放大图B

局部放大图C

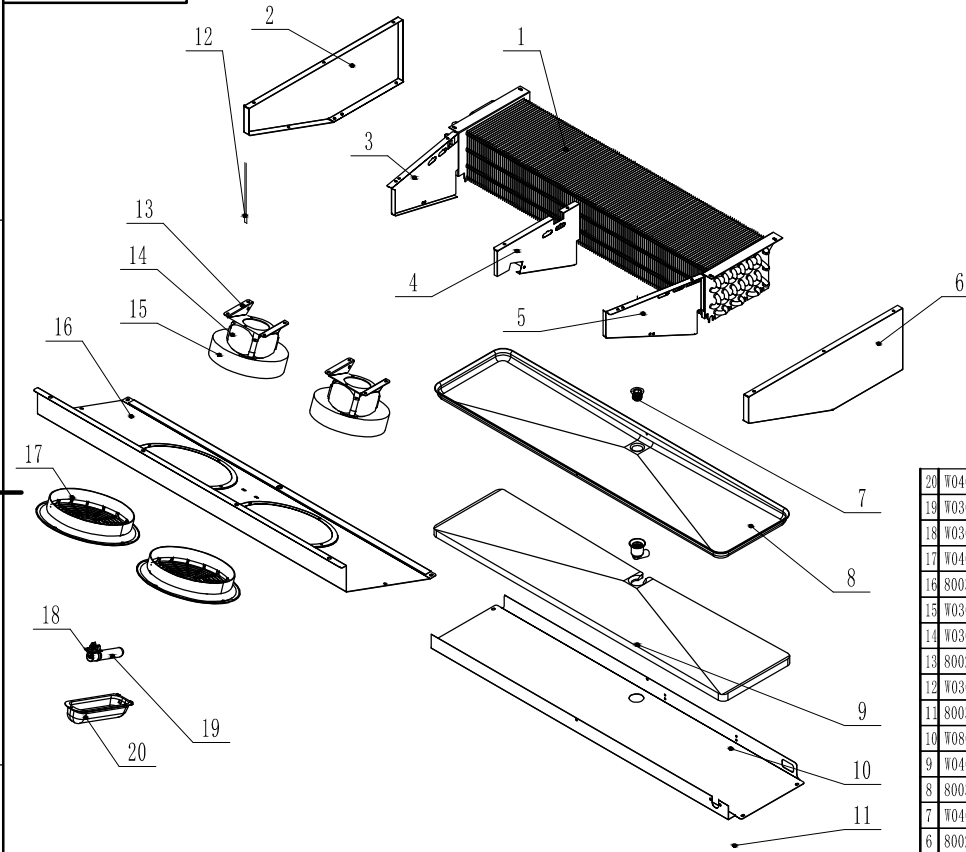
17	W0604076	Mid-Bottom Hinge	中下铰链	SUS304	1	
16	85040203	Middle Door	中门体		1	
15	W0604024	Right-Bottom Hinge	右下铰链	SUS304	1	
14	B0599270	SS Screw M6x8	M6x8不锈钢螺丝		3	
13	W0604038	Door Stopper-Bottom	门自锁装置-下	SUS304	3	
12	W0604025	Left-Bottom Hinge	左下铰链	SUS304	1	
11	W0604022	Right-Top Hinge	右上铰链	SUS304	2	
10	W0404601	Door Gasket	门封条		3	
9	W0604401	Door Spring Bar	门体发条		3	
8	W0604030	Door Brake -Right	门自锁装置-右	SUS304	1	
7	85040201	Right Door	右门体		1	
6	W0409843	Door Shaft Sleeve-Bott	门体轴套	PA66	3	
5	W0604031	Door Brake -Left	门自锁装置-左	SUS304	1	
4	85040202	Left Door	左门体		1	
3	W0409842	Door Shaft Sleeve-Top	门体轴套	PA66	3	
2	B0506044	Screw M6x16	M6x16镀锌螺丝		21	
1	W0604023	Left-Top Hinge	左上铰链	SUS304	1	
Material code	English Name	Chinese Name	MATERIAL	数量	Remark	



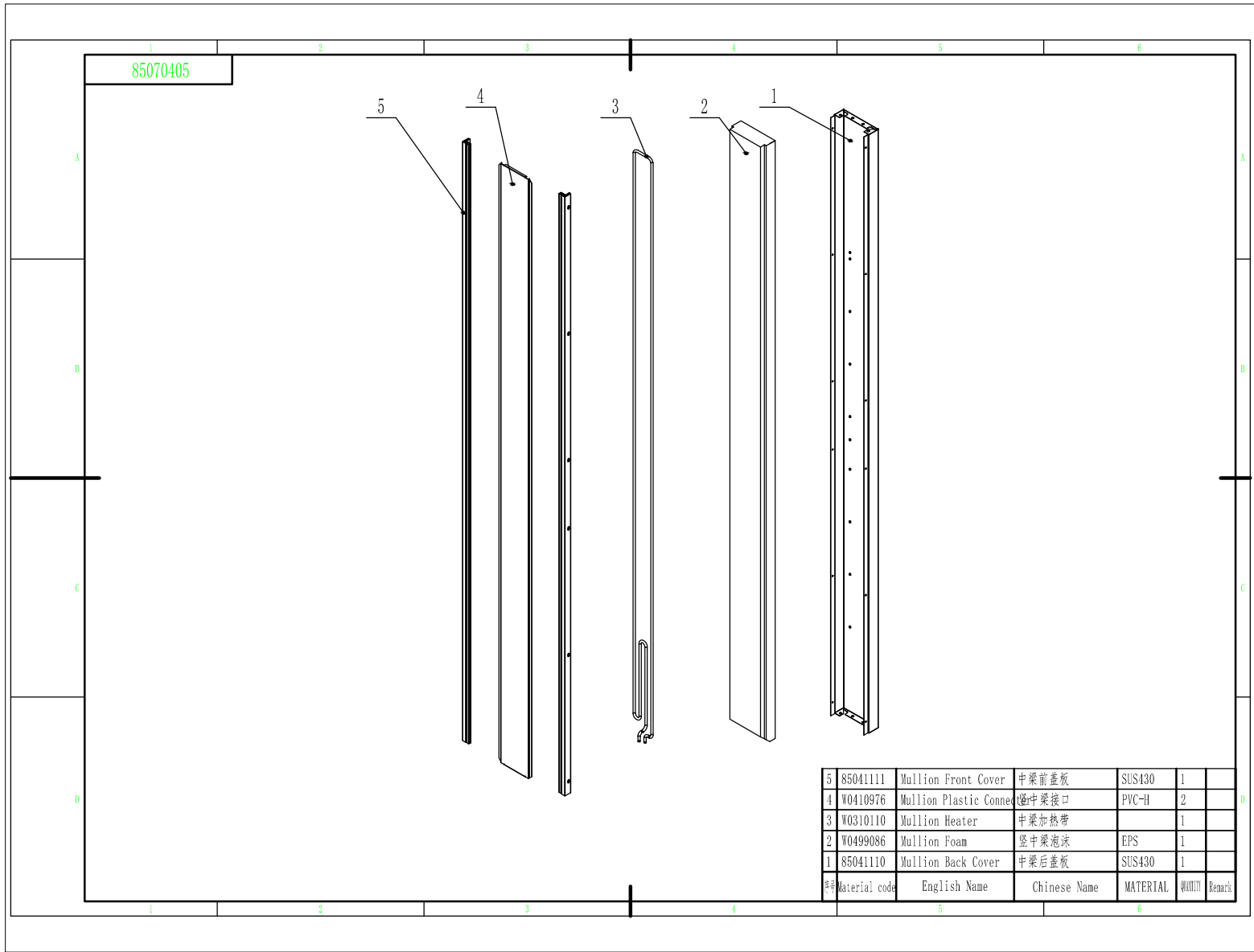
85080410

7	W0409272	Black Grille Clip	前罩板饰条端板		2		3	W0308012	Door Switch	右门体开关(单刀双掷)		3		
6	W0410356	Black Grille	前罩板饰条		1		2	W0604007	Lock	冰箱锁		3		
5	W0308001	Power Switch	电源开关		1		1	85041409	Top Panel	前罩板	SUS430	1		
4	W0302147	Digital Controller(Refrigerator)	冷藏控制器		1	115V			Material code	English Name	Chinese Name	MATERIAL	数量	Remark

85080411

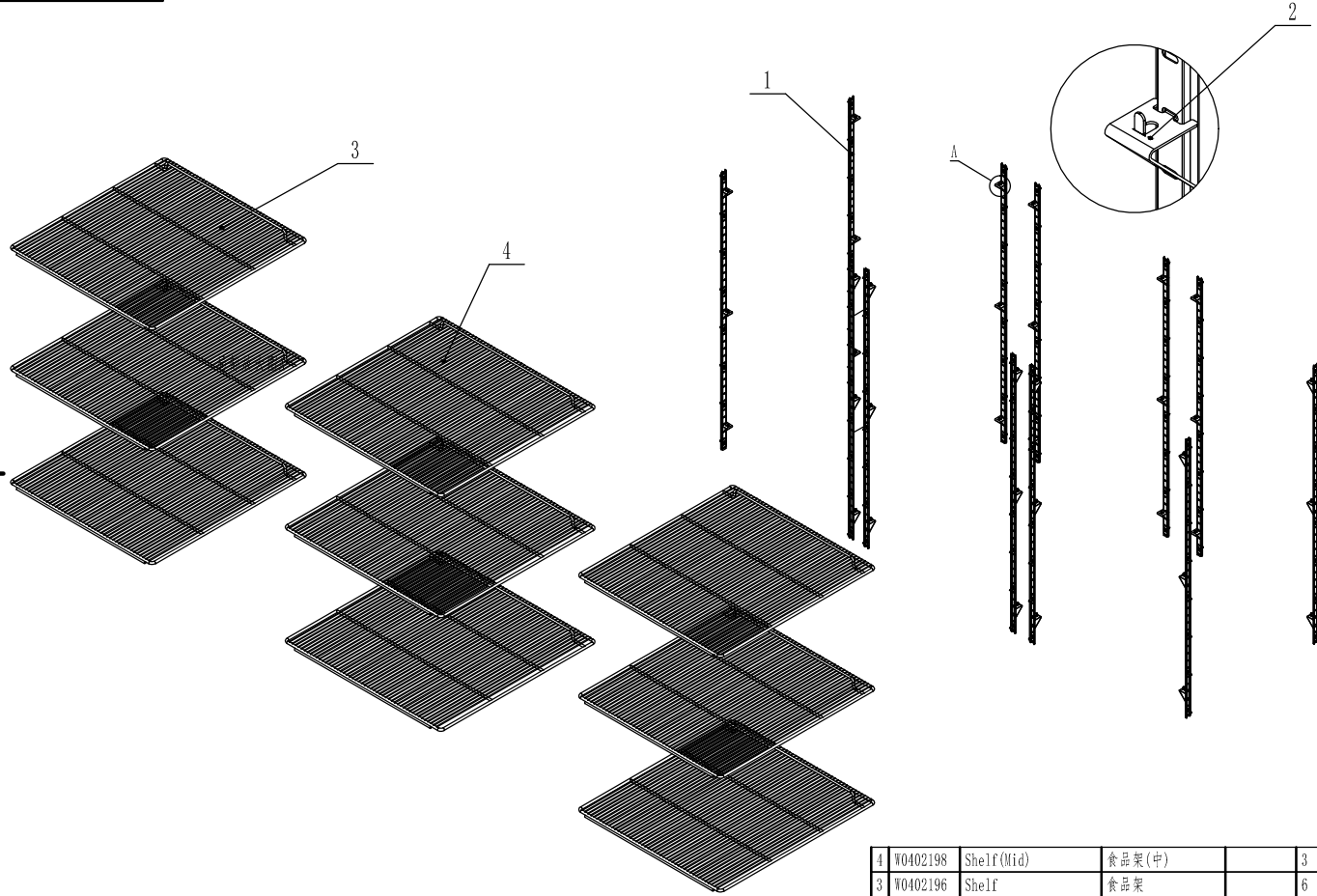


20	W0409863	Lamp Cover	灯罩	PC1302	1	
19	W0304512	Lamp	灯		1	
18	W0304508	Lamp Socket	灯座		1	
17	W0409864	Evap Fan Motor Cover	蒸发风机罩	ABS	2	
16	80031202	Evap Front Cover	蒸发前盖板	SUS430	1	
15	W0301059	Evap Fan Blade	蒸发风叶	AL/φ172	2	
14	W0301904	Evap Fan Motor	蒸发风机		2	
13	80021501	Evap Fan Bracket	蒸发风机支架	SUS304	2	
12	W0302304	Room Temp Probe	感温探头		1	
11	80031201	Drain Pan Cover	蒸发后盖板	SUS430	1	
10	W0803013	Drain Pan Foam	接水盘泡沫	EPS	1	
9	W0409858	Drain Hose Connector	排水管连接器A	PA66	1	
8	80032001	Drain Pan	铝制接水盘	AL	1	
7	W0409859	Drain Hose Connector	排水管连接器B	PA66	1	
6	80021206	Evap Right Cover	蒸发右盖板	SUS430	1	
5	80021204	Right Air Lane Cover	蒸发空气右挡板	SUS430	1	
4	80021205	Middle Air Lane Cover	蒸发空气中挡板	SUS430	1	
3	80021203	Left Air Lane Cover	蒸发空气左挡板	SUS430	1	
2	80021206	Evap Left Cover	蒸发左盖板	SUS430	1	
1	W0202119	Evaporator	蒸发器	AL TP2-M	1	
料号	Material code	English Name	Chinese Name	MATERIAL	数量	Remark



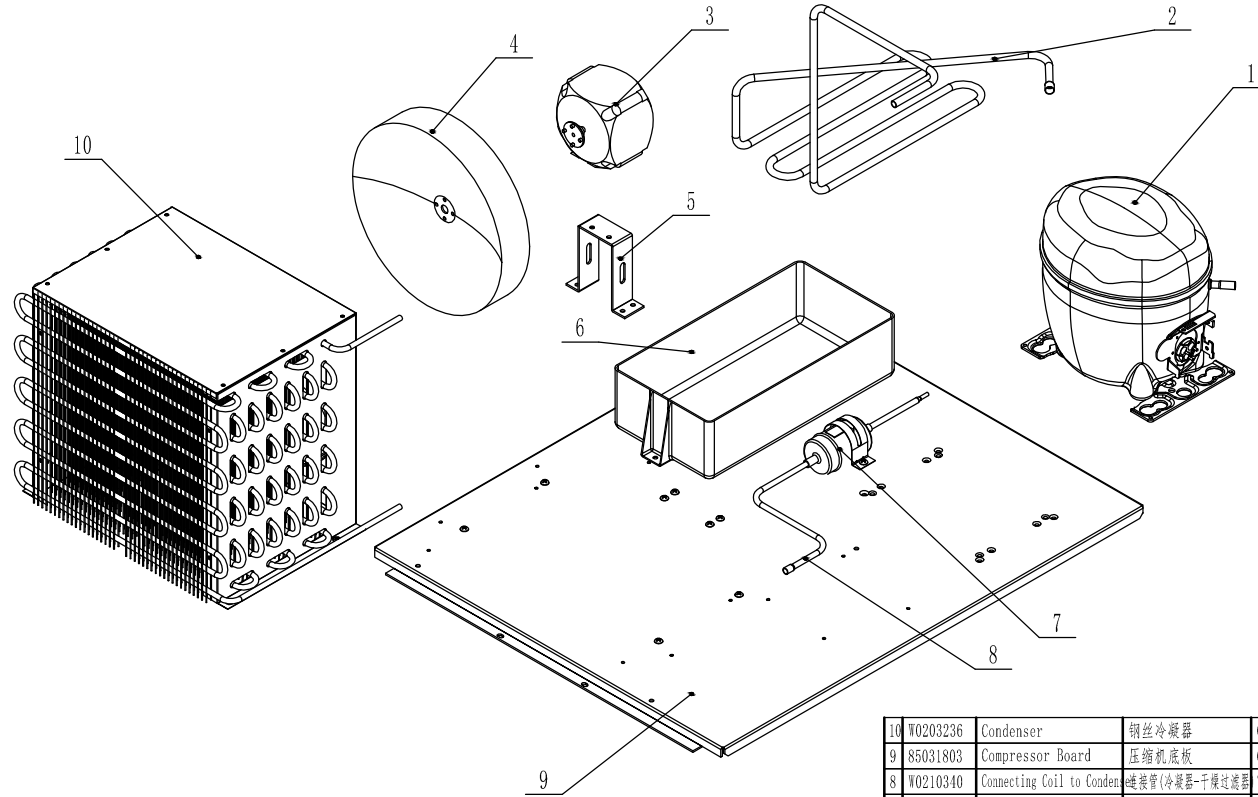
5	85041111	Mullion Front Cover	中梁前盖板	SUS430	1	
4	W0410976	Mullion Plastic Connector	中梁接口	PVC-H	2	
3	W0310110	Mullion Heater	中梁加热带		1	
2	W0499086	Mullion Foam	竖中梁泡沫	EPS	1	
1	85041110	Mullion Back Cover	中梁后盖板	SUS430	1	
材料	Material code	English Name	Chinese Name	MATERIAL	数量	Remark

85040413



4	W0402198	Shelf(Mid)	食品架(中)		3	
3	W0402196	Shelf	食品架		6	
2	00542013	Shelf Clip	食品架搁脚	SUS430	36	
1	80037410	Pilastor For Shelf	食品架隔条	SUS430	12	
料号	Material code	English Name	Chinese Name	MATERIAL	数量	Remark

85080412



10	W0203236	Condenser	钢丝冷凝器	GI	1	
9	85031803	Compressor Board	压缩机底板	GI	1	
8	W0210340	Connecting Coil to Condenser	连接管(冷凝器-干燥过滤器)	TP2-M	1	
7	W0204003	Dry Filter	干燥过滤器		1	
6	W0411152	Plastic Drain Pan	接水盘	ABS	1	
5	80031601	Condenser Fan Bracket	冷凝风机支架	GI	1	
4	W0301061	Condenser Fan Blade	冷凝风叶	AL/φ230	1	
3	W0301905	Condenser Fan Motor	冷凝风机		1	
2	W0210341	High Pressure Coil	散热管	TP2-M	1	
1	W0201612	Compressor	压缩机		1	
材料	Material code	English Name	Chinese Name	MATERIAL	数量	Remark