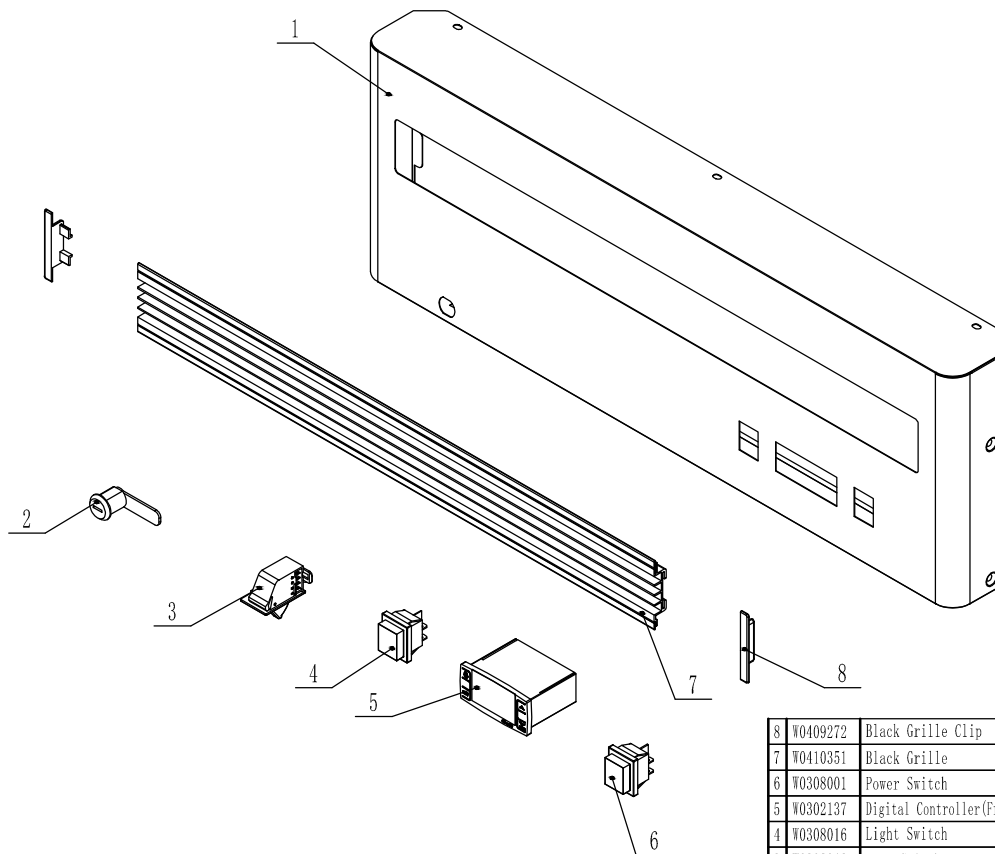


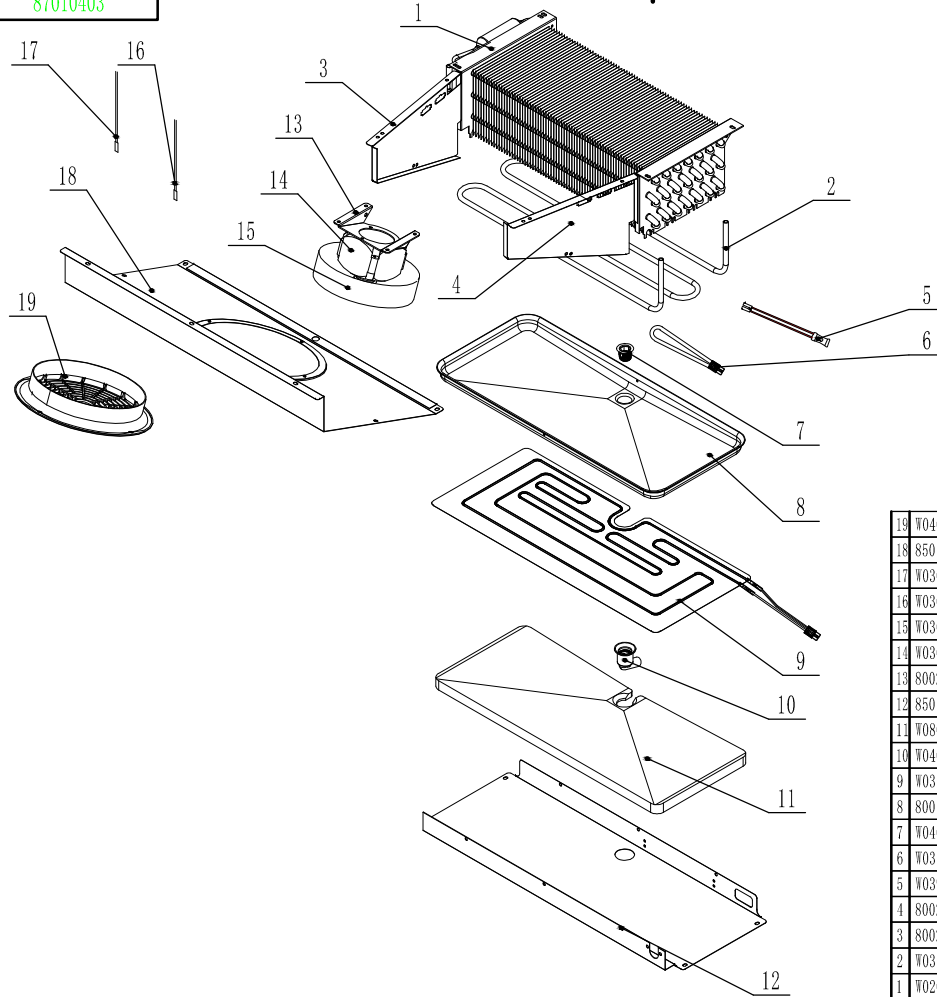
| | | | | | | |
|----|---------------|------------------------|---------------|----------|----|--------|
| 15 | W0304081 | LED Light | LED灯条 | | 2 | |
| 14 | B0506044 | Screw M6x16 | M6x16十字槽六角头螺栓 | | 7 | |
| 13 | W0604024 | Right-Bottom Hinge | 右下铰链 | SUS304 | 1 | |
| 12 | B0599270 | SS Screw M6x8 | M6x8不锈钢螺丝 | | 1 | |
| 11 | W0604038 | Door Stopper-Bottom | 门自锁装置-下 | SUS304 | 1 | |
| 7 | W0604933 | Door Spring Bar | 门体发条 | | 1 | |
| 6 | W0409843 | Door Shaft Sleeve-Bott | 门体轴套 | PA66 | 1 | |
| 5 | W0604030 | Door Brake -Right | 门自锁装置-右 | SUS304 | 1 | |
| 4 | W0412809 | Right Glass Door | 右玻璃门体 | | 1 | |
| 3 | W0404601 | Door Gasket | 门封条 | | 1 | |
| 2 | W0409842 | Door Shaft Sleeve-Top | 门体轴套 | PA66 | 1 | |
| 1 | W0604022 | Right-Top Hinge | 右上铰链 | SUS304 | 1 | |
| 材料 | Material code | English Name | Chinese Name | MATERIAL | 数量 | Remark |

87010402



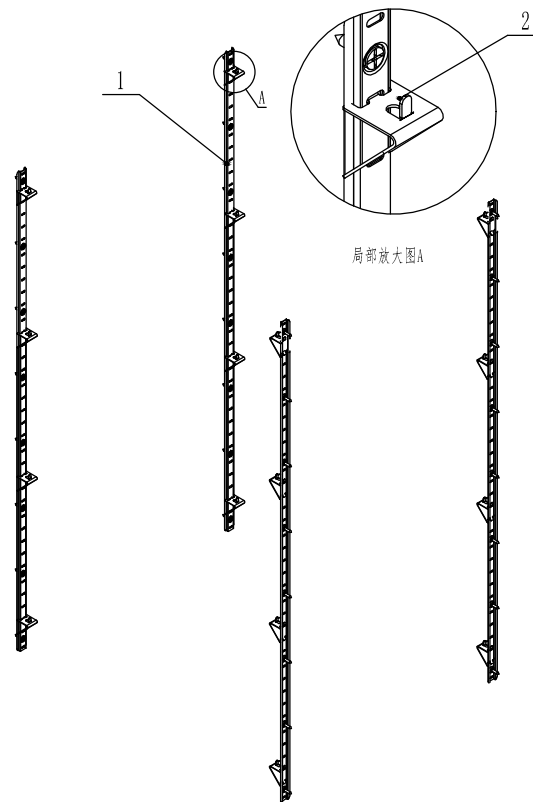
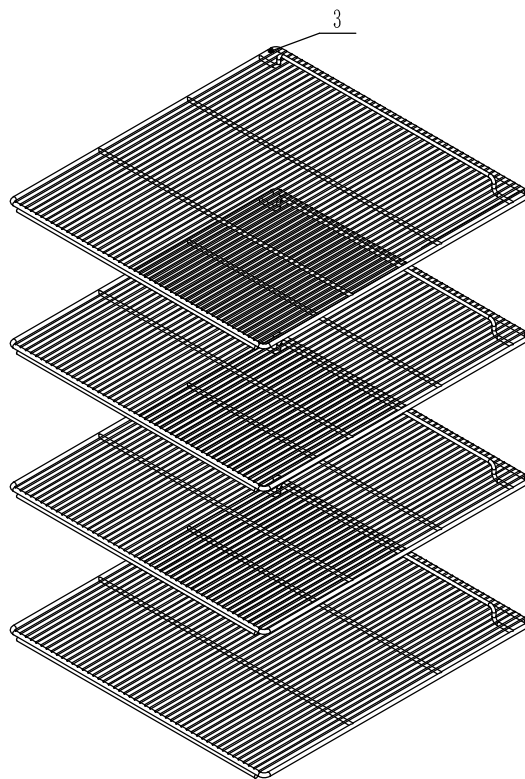
| | | | | | | |
|----|---------------|------------------------|--------------|----------|----|--------|
| 8 | W0409272 | Black Grille Clip | 前罩板饰条端板 | ABS | 2 | |
| 7 | W0410351 | Black Grille | 前罩板饰条 | PVC | 1 | |
| 6 | W0308001 | Power Switch | 电源开关 | | 1 | |
| 5 | W0302137 | Digital Controller(Fre | 数字温控器 | | 1 | 115V |
| 4 | W0308016 | Light Switch | LED灯开关 | | 1 | |
| 3 | W0308012 | Door Switch | 右门体开关(单刀双掷) | | 2 | |
| 2 | W0604007 | Lock | 冰箱锁 | | 1 | |
| 1 | 85011406 | Top Panel | 上前罩板 | SUS430 | 1 | |
| 料号 | Material code | English Name | Chinese Name | MATERIAL | 数量 | Remark |

87010403



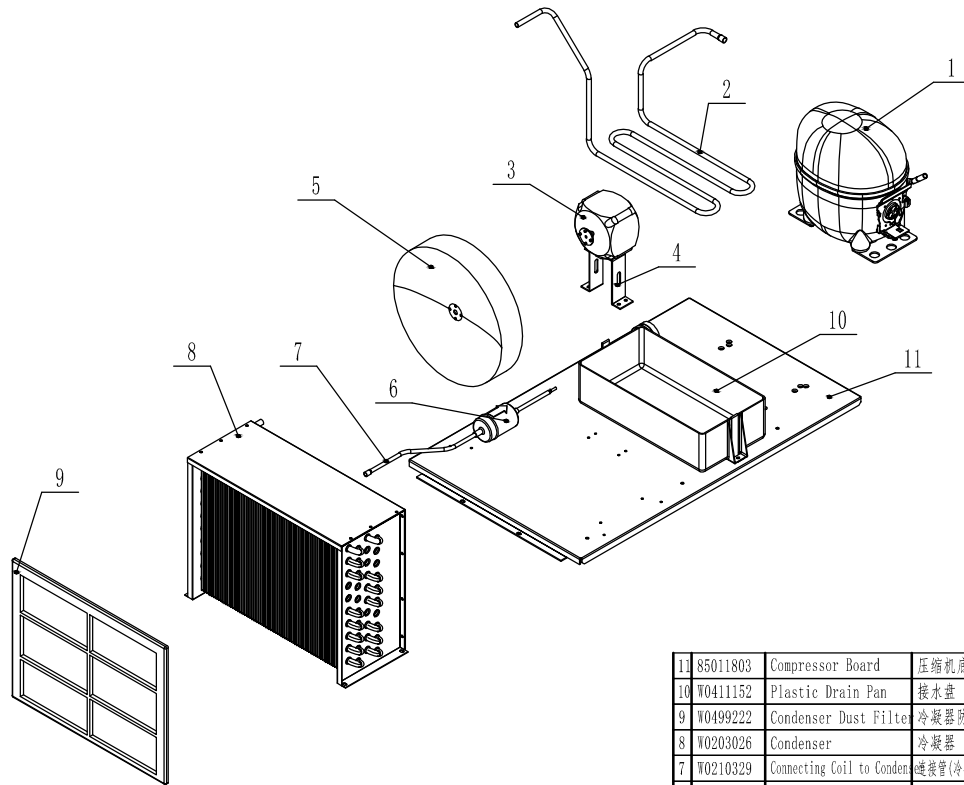
| | | | | | | |
|----|---------------|----------------------|--------------|----------|----|--------|
| 19 | W0409864 | Evap Fan Motor Cover | 蒸发风机罩 | ABS | 1 | |
| 18 | 85011203 | Evap Front Cover | 蒸发前盖板 | SUS430 | 1 | |
| 17 | W0302305 | Evap Temp Probe | 化霜探头 | | 1 | |
| 16 | W0302304 | Room Temp Probe | 感温探头 | | 1 | |
| 15 | W0301059 | Evap Fan Blade | 蒸发风叶 | AL/φ172 | 1 | |
| 14 | W0301904 | Evap Fan Motor | 蒸发风机 | | 1 | |
| 13 | 80021501 | Evap Fan Bracket | 蒸发风机支架 | SUS304 | 1 | |
| 12 | 85011201 | Drain Pan Cover | 蒸发后盖板 | SUS430 | 1 | |
| 11 | W0803011 | Drain Pan Foam | 接水盘泡沫 | EPS | 1 | |
| 10 | W0409858 | Drain Hose Connector | 排水管连接器A | PA66 | 1 | |
| 9 | W0310075 | Drain Pan Heater | 接水盘加热带 | | 1 | |
| 8 | 80012001 | Drain Pan | 铝制接水盘 | AL | 1 | |
| 7 | W0409859 | Drain Hose Connector | 排水管连接器B | PA66 | 1 | |
| 6 | W0310068 | Drain Hose Heater | 排水管加热带 | | 1 | |
| 5 | W0399080 | Defrost Heater Fuse | 化霜感温包(突跳式开关) | | 1 | |
| 4 | 80021204 | Evap Right Cover | 蒸发空气右挡板 | SUS430 | 1 | |
| 3 | 80021203 | Evap Left Cover | 蒸发空气左挡板 | SUS430 | 1 | |
| 2 | W0311041 | Defrost Heater | 化霜加热管 | | 1 | |
| 1 | W0202112 | Evaporator | 蒸发器 | AL TP2-M | 1 | |
| 料号 | Material code | English Name | Chinese Name | MATERIAL | 数量 | Remark |

87010404



| | | | | | | |
|----|---------------|--------------------|--------------|----------|----|--------|
| 3 | W0402325 | Shelf | 食品架 | | 4 | |
| 2 | 00542013 | Shelf Clip | 食品架搁脚 | SUS430 | 12 | |
| 1 | 80037410 | Pilaster For Shelf | 食品架隔条 | SUS430 | 4 | |
| 料号 | Material code | English Name | Chinese Name | MATERIAL | 数量 | Remark |

85010406



| | | | | | | | |
|----|----------|------------------------------|----------------|--------------|----------|----|--------|
| 11 | 85011803 | Compressor Board | 压缩机底板 | GI | 1 | | |
| 10 | W0411152 | Plastic Drain Pan | 接水盘 | ABS | 1 | | |
| 9 | W0499222 | Condenser Dust Filter | 冷凝器防尘罩 | | 1 | | |
| 8 | W0203026 | Condenser | 冷凝器 | GI TP2-M | 1 | | |
| 7 | W0210329 | Connecting Coil to Condenser | 连接管(冷凝器-干燥过滤器) | TP2-M | 1 | | |
| 6 | W0204003 | Dry Filter | 干燥过滤器 | | 1 | | |
| 5 | W0301056 | Condenser Fan Blade | 冷凝风叶 | AL/φ250 | 1 | | |
| 4 | 80031601 | Condenser Fan Bracket | 冷凝风机支架 | GI | 1 | | |
| 3 | W0301905 | Condenser Fan Motor | 冷凝风机 | | 1 | | |
| 2 | W0210330 | High Pressure Coil | 散热管 | TP2-M | 1 | | |
| 1 | W0201820 | Compressor | 压缩机 | | 1 | | |
| | 材料 | Material code | English Name | Chinese Name | MATERIAL | 数量 | Remark |