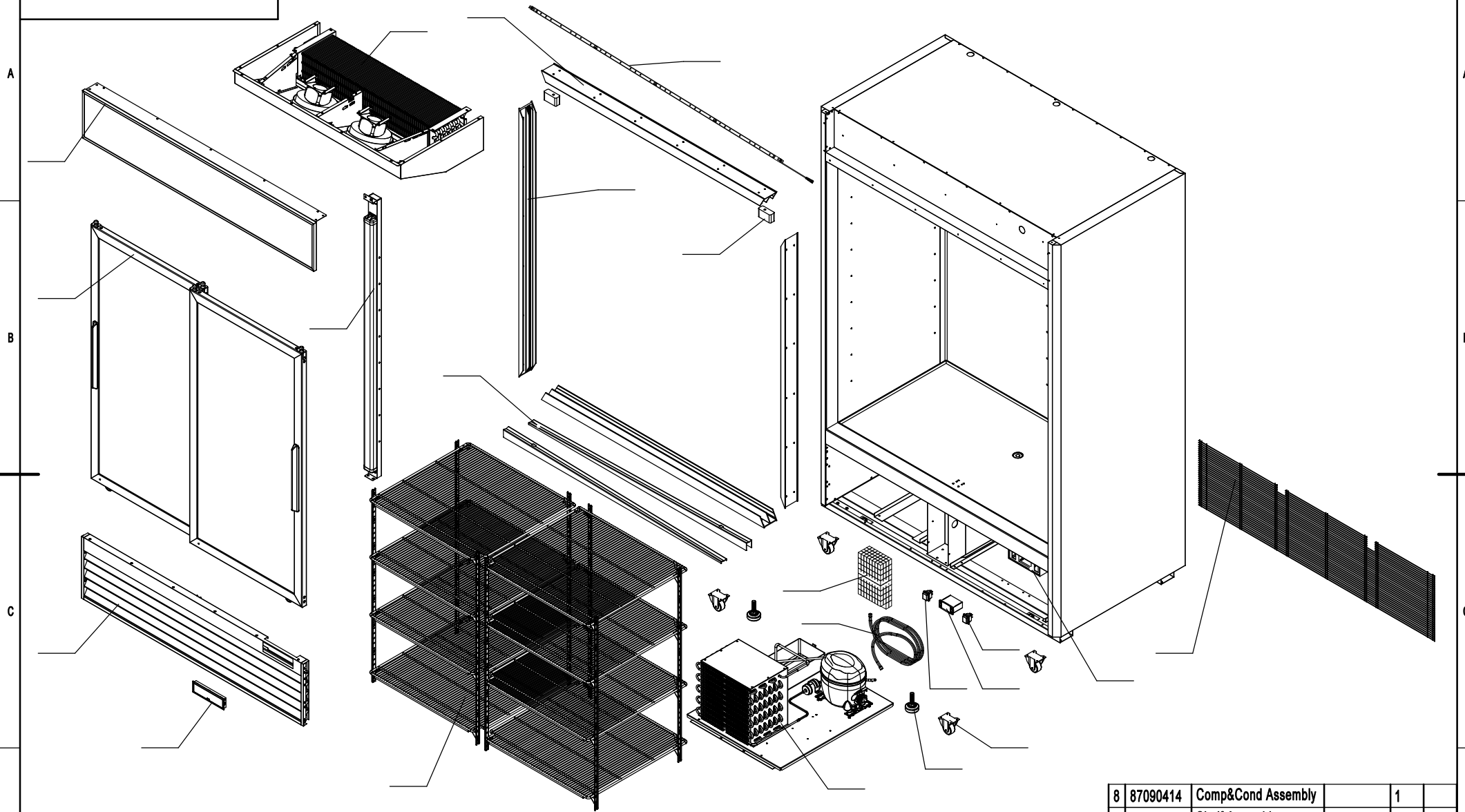


MCF8709 ATOSA 115V



22	87091501	Door Track		2	
21	W0413054	Protector Frame		2	
20	W0410785	Left-Right Frame		2	
19	W0410784	Top-Bottom Frame		2	
18	W0304081	LED Light Cover		1	
17	W0402634	Back Bottom Barriar		1	
16	W0409883	Controller Braket	ABS	1	

15	W0308001	Power Switch		1	
14	W0302147	Digital Controller		1	115V
13	W0308016	Light Switch		1	
12	W0210342	Low Presure Coil Back to Comp		1	
11	W0399112	Power Supply		1	
10	B0604401	2" Castor Without Brake		4	
9	B0604417	Leg		2	

8	87090414	Comp&Cond Assembly		1	
7	87090413	Shelf Assembly		1	
6	87090412	Mullion Assembly		1	
5	87160420	Evaporator Assembly		1	
4	87090411	Top Panel Assembly		1	
3	87090410	Door Assembly		1	
2	87090404	Bottom Panel Assembly		1	
1	W0409882	Controller Cover		1	
No.	Material code	English Name	MATERIAL	QUANTITY	Remark

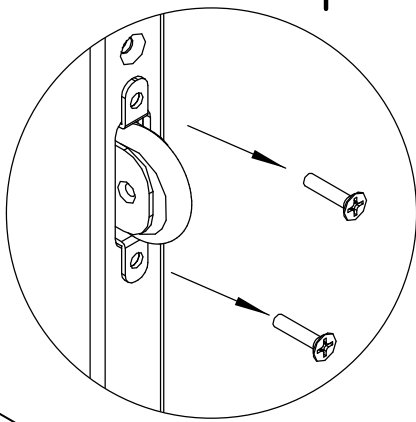
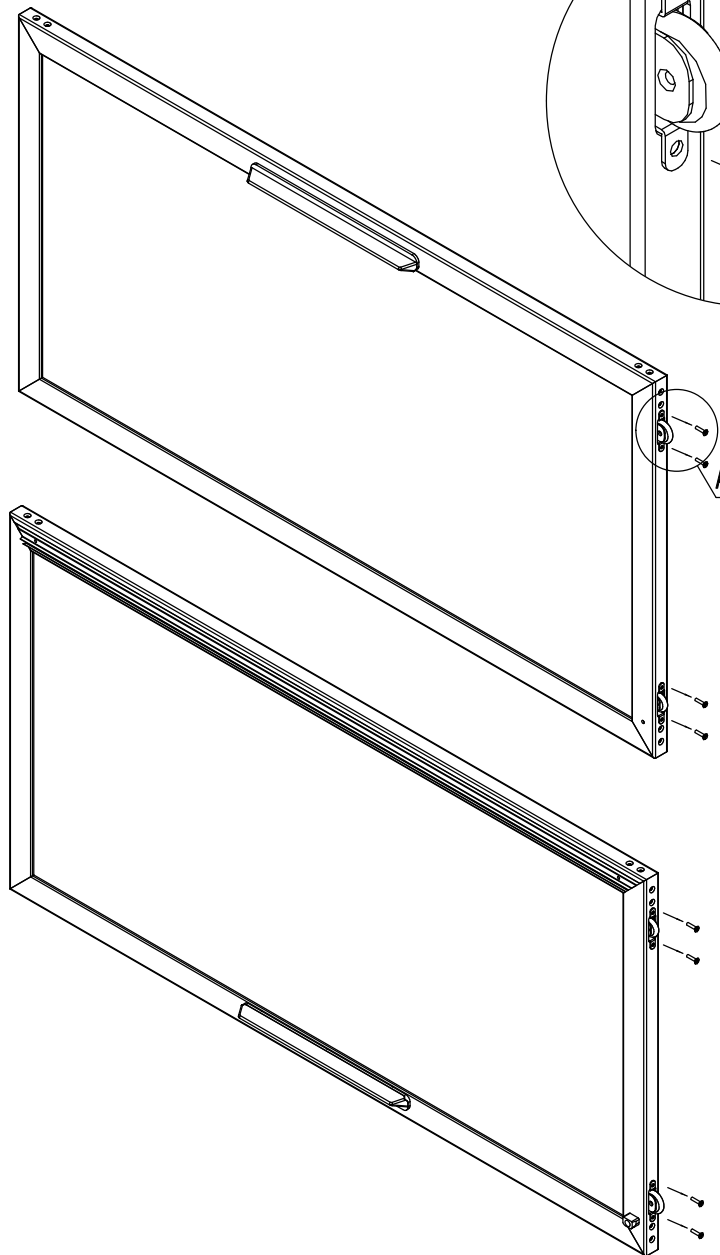
87090410

A

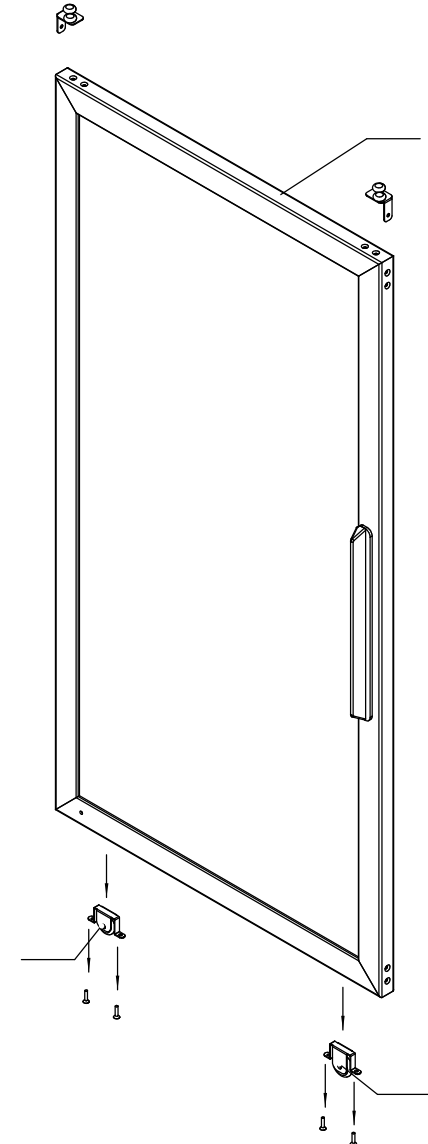
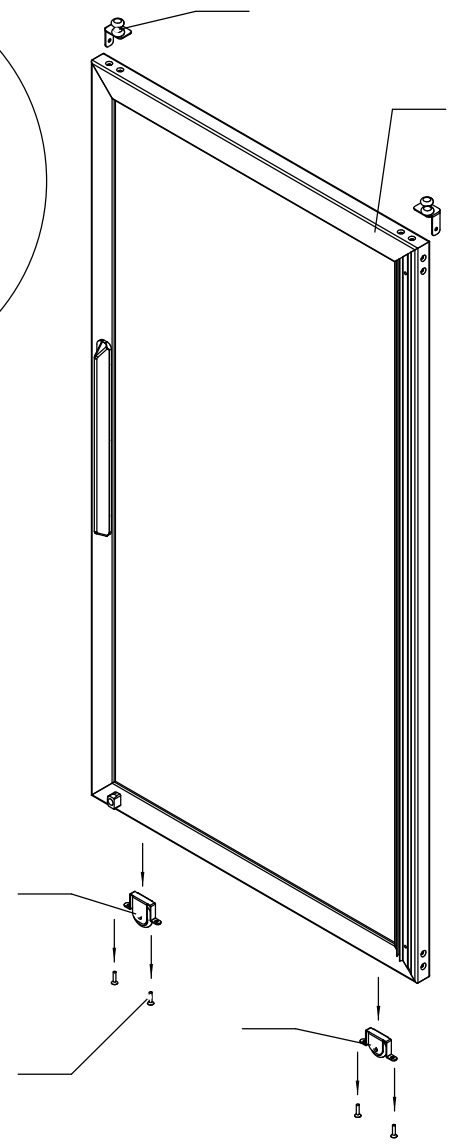
B

C

D



A



8	B0604424	Top Wheel	4			
7	B0502105	SS Screw M4×16	8	M4×16		
6	B0604423	Bottom Wheel-Small	1			

5	B0604422	Bottom Wheel-Big	1				
4	W0412828	Left Glass Door	1				
3	B0604423	Bottom Wheel-Small	1				
2	B0604422	Bottom Wheel-Big	1				
1	W0412827	Right Glass Door	1				
No.	Material Code	English Name	Quantity	Material	单件 总计		Remark
					重量		

1

2

3

4

5

6

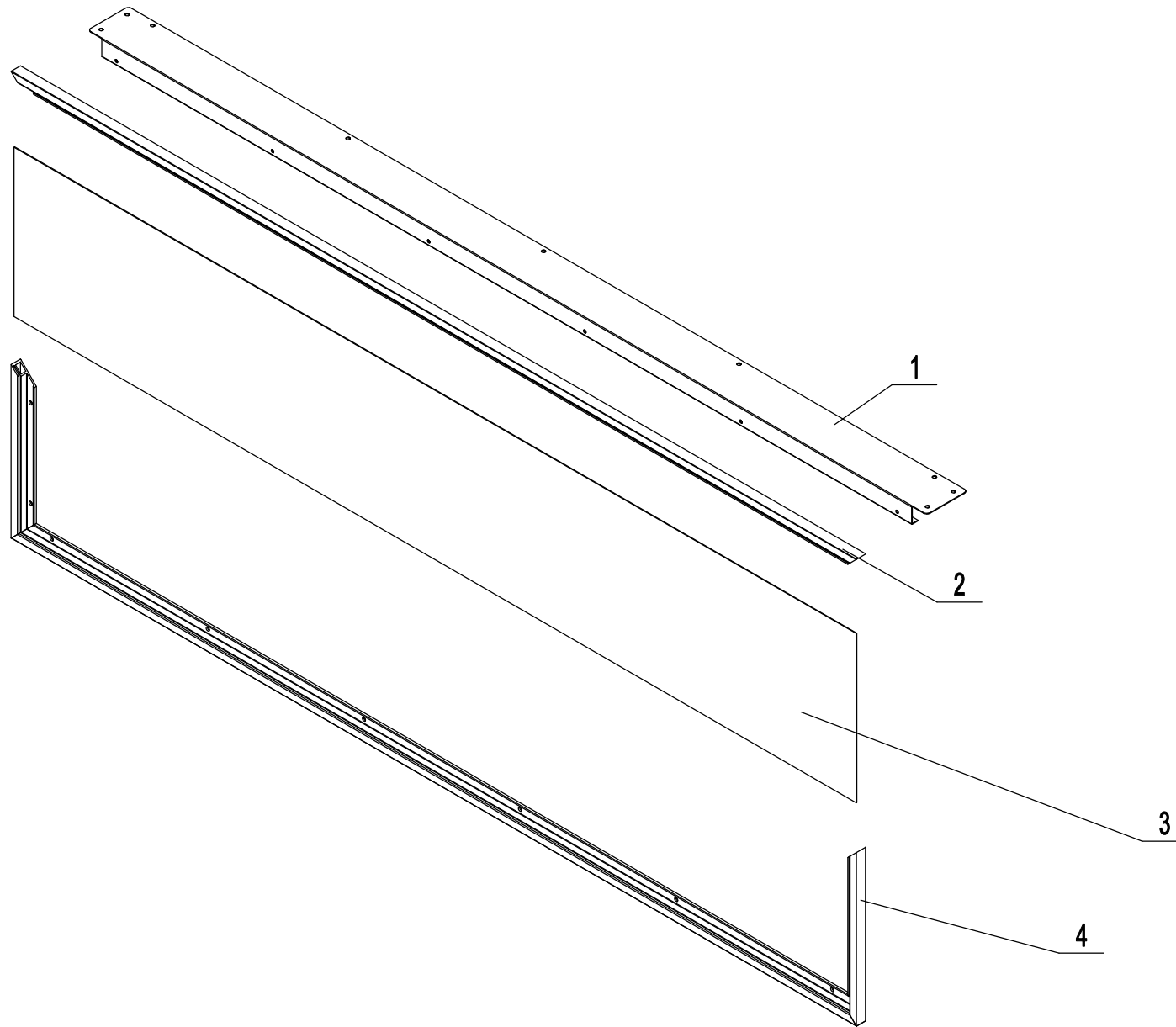
A

B

C

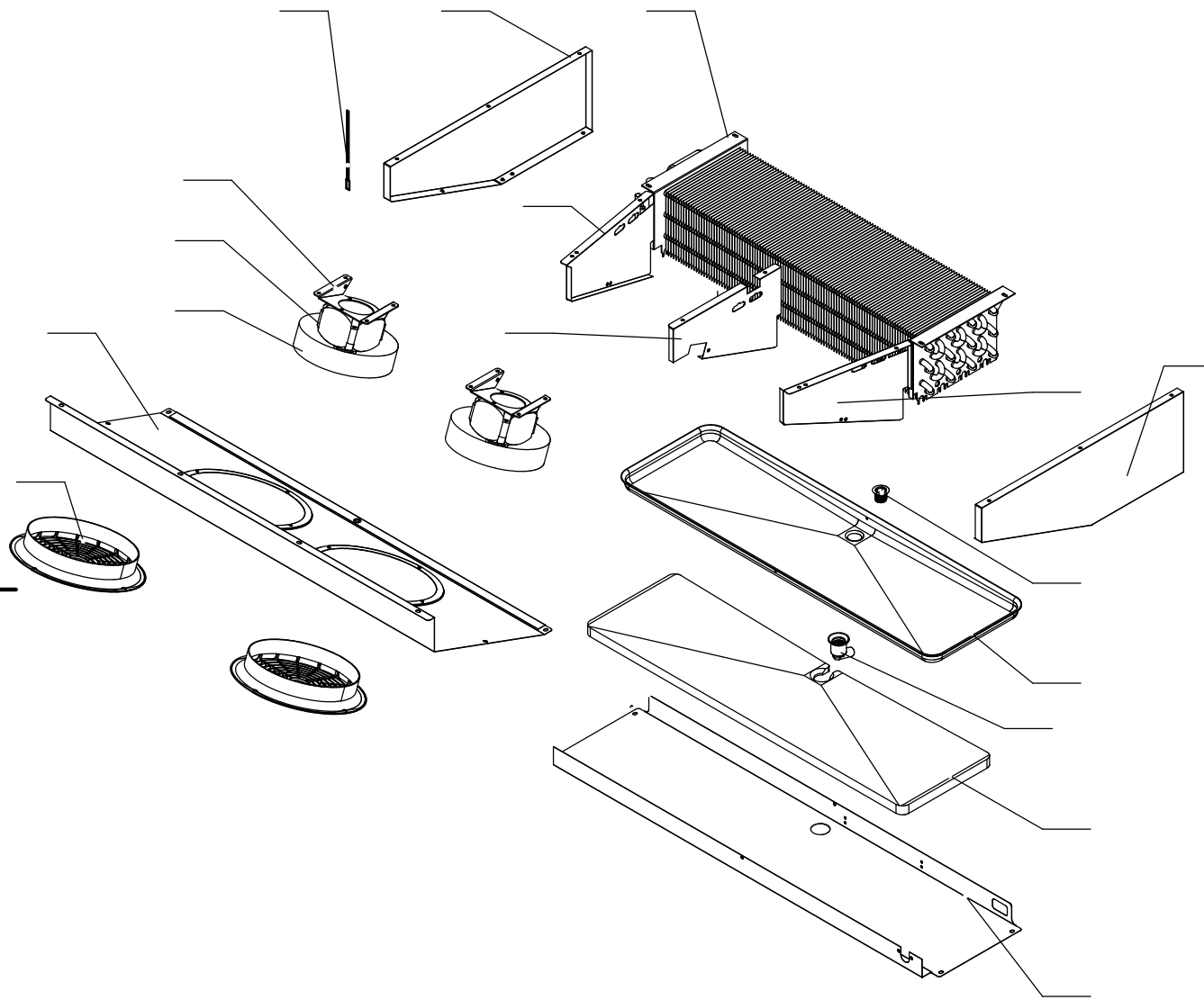
D

87090411



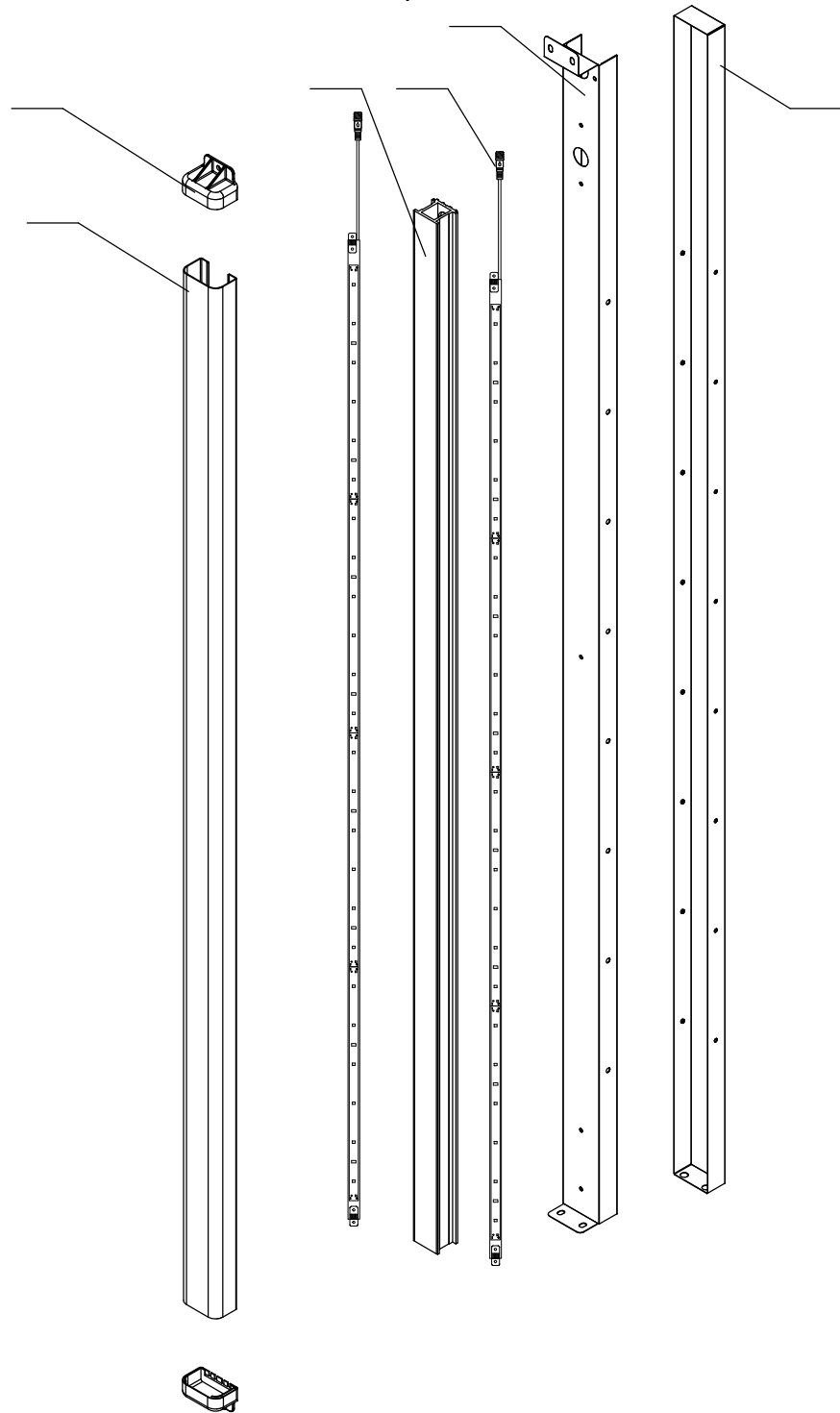
4	W0410788	Top Panel Frame		1	
3	W0410789	Top Panel		1	
2	W0410787	Top Panel Rack	PVC	1	
1	87091804	Top Fixing Rack	GI	1	
No.	Material code	English Name	MATERIAL	QUANTITY	Remark

87160420



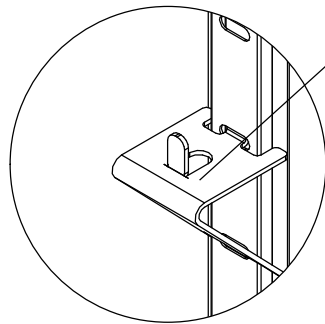
17	W0409864	Evap Fan Motor Cover	ABS	2	
16	86021202	Evap Front Cover	AL	1	
15	W0301059	Evap Fan Blade	AL/Ø172	2	
14	W0301904	Evap Fan Motor		2	
13	80021501	Evap Fan Bracket	SUS304	2	
12	W0302304	Room Temp Probe		1	
11	86021201	Drain Pan Cover	AL	1	
10	W0803012	Drain Pan Foam	EPS	1	
9	W0409858	Drain Hose Connector A	PA66	1	
8	80022003	Drain Pan	AL	1	
7	W0409859	Drain Hose Connector B	PA66	1	
6	86021204	Evap Right Cover	AL	1	
5	80021204	Right Air Lane Cover	SUS430	1	
4	80021205	Middle Air Lane Cover	SUS430	1	
3	80021203	Left Air Lane Cover	SUS430	1	
2	86021203	Evap Left Cover	AL	1	
1	W0202118	Evaporator	AL TP2-M	1	
No.	Material code	English Name	MATERIAL	QUANTITY	Remark

87090412

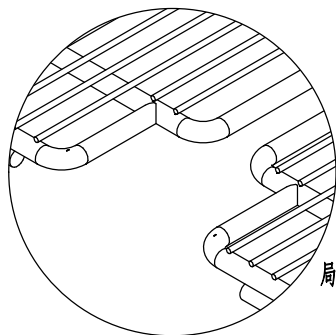
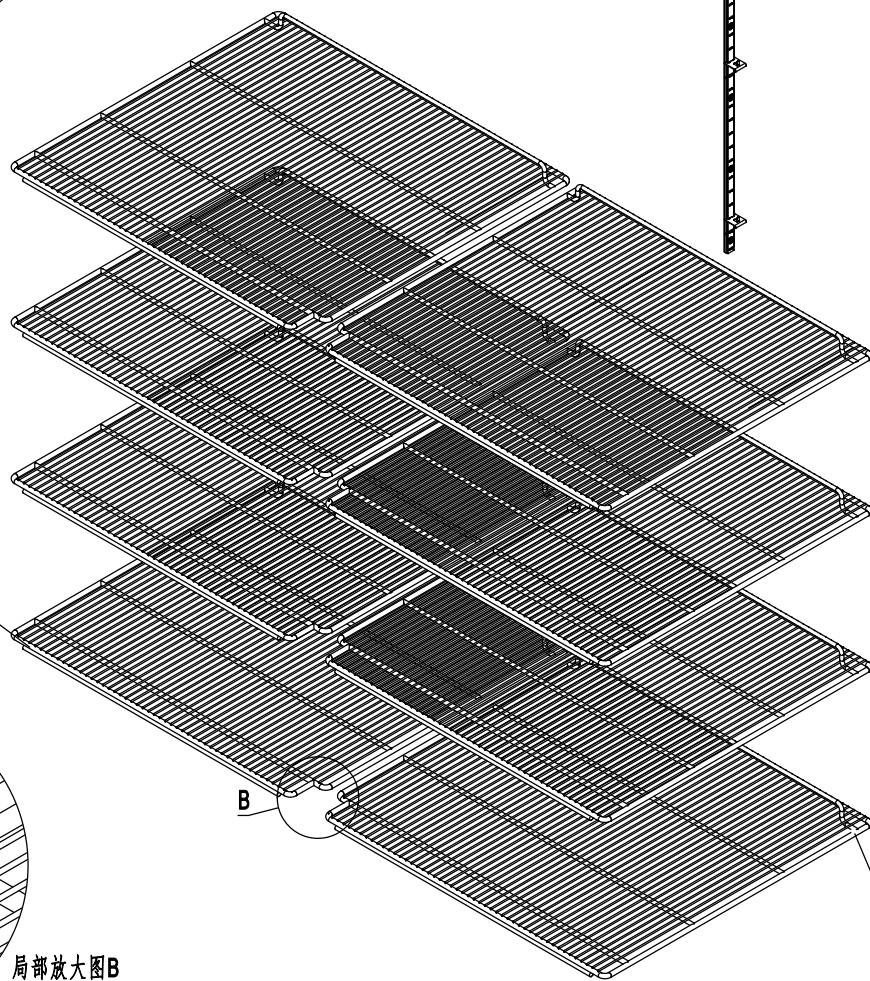


6	W0410792	Light Cover	PC	1	
5	W0409880	Light Frame Clip	ABS	2	
4	W0410791	Light Frame	PVC-H	1	
3	W0304081	LED Light		2	
2	87091101	Mullion back Cover	AL	1	
1	87091102	Mullion Front Cover	AL	1	
No.	Material code	English Name	MATERIAL	QUANTITY	Remark

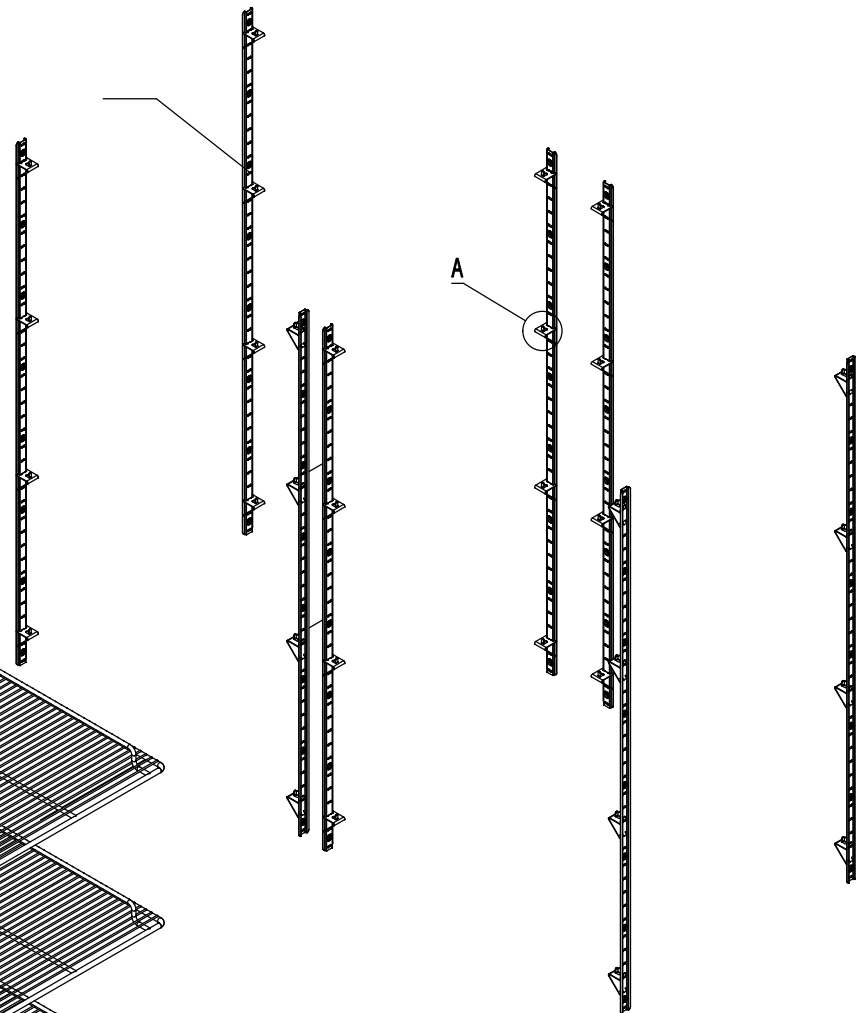
87090413



局部放大图A

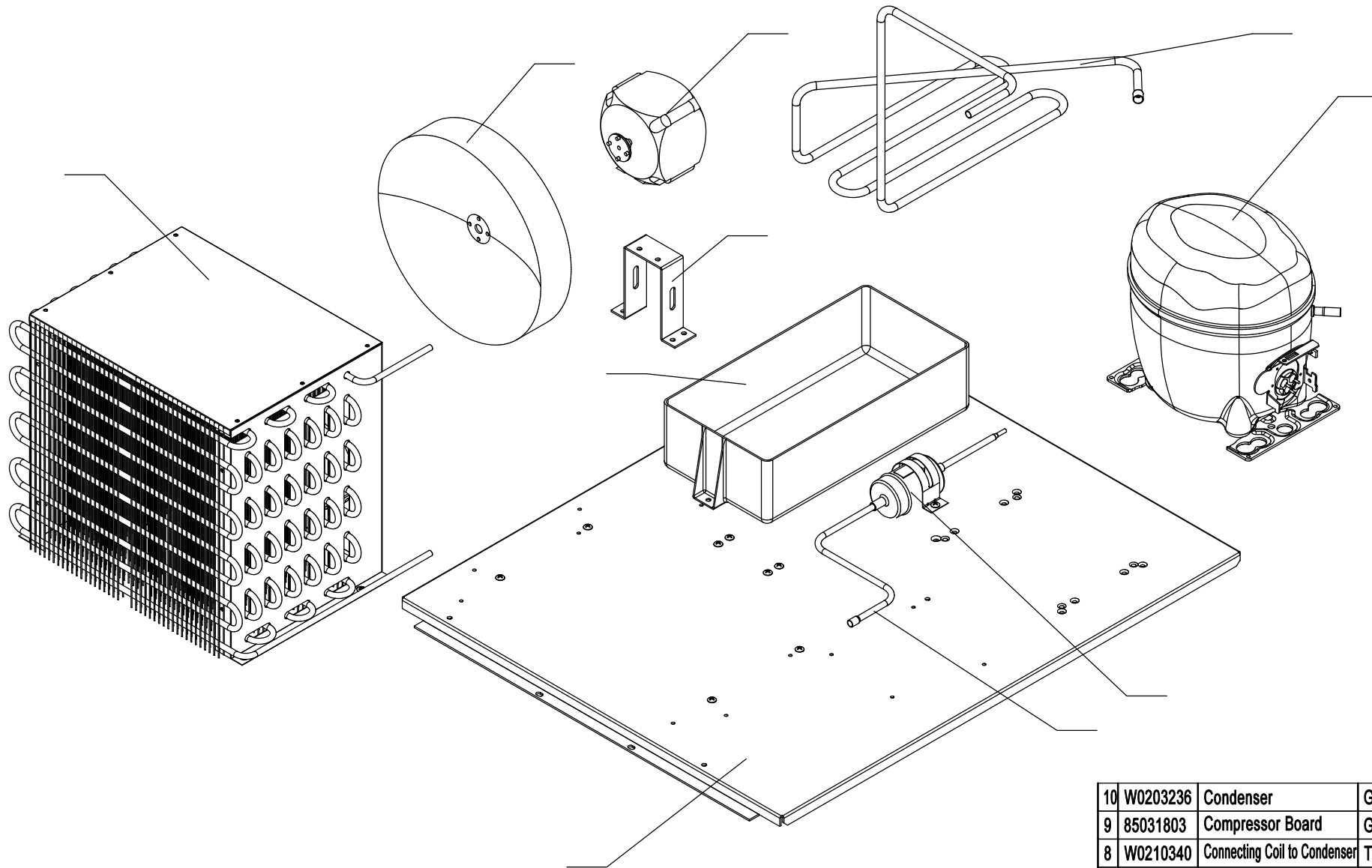


局部放大图B



4	W0402328	Shelf-Right		4	
3	W0402327	Shelf-Left		4	
2	00542013	Shelf Clip	SUS430	24	
1	80037410	Pilastor For Shelf	SUS430	8	
No.	Material code	English Name	MATERIAL	QUANTITY	Remark

87090414



10	W0203236	Condenser	GI	1	
9	85031803	Compressor Board	GI	1	
8	W0210340	Connecting Coil to Condenser	TP2-M	1	
7	W0204003	Dry Filter		1	
6	W0411152	Plastic Drain Pan	ABS	1	
5	80031601	Condenser Fan Bracket	GI	1	
4	W0301061	Condenser Fan Blade	AL/Ø230	1	D
3	W0301905	Condenser Fan		1	
2	W0210341	High Pressure Coil	TP2-M	1	
1	W0201824	Compressor		1	
No.	Material code	English Name	MATERIAL	QUANTITY	Remark