

Double Revolving Oven

MODEL DR-34

Service Manual

Serial Numbers 100482 and Higher



BKI LIMITED WARRANTY
2812 Grandview Dr. • Simpsonville, SC 29680 • USA
(864) 963-3471 • Toll Free: (800) 927-6887 • Fax: (864) 963-5316

| | |
|-------------------|---|
| WHAT IS COVERED | <p>This warranty covers defects in material and workmanship under normal use, and applies only to the original purchaser providing that:</p> <ul style="list-style-type: none">☐ The equipment has not been accidentally or intentionally damaged, altered or misused;☐ The equipment is properly installed, adjusted, operated and maintained in accordance with national and local codes, and in accordance with the installation and operating instructions provided with this product.☐ The serial number rating plate affixed to the equipment has not been defaced or removed. |
| WHO IS COVERED | <p>This warranty is extended to the original purchaser and applies only to equipment purchased for use in the U.S.A.</p> |
| COVERAGE PERIOD | <ul style="list-style-type: none">☐ Warranty claims must be received in writing by BKI within one (1) year from date of installation or within one (1) year and three (3) months from data of shipment from the factory, whichever comes first.☐ COB Models: One (1) Year limited parts and labor.☐ COM Models: Two (2) Year limited parts and labor. COM convection ovens also have a two (2) year door warranty.☐ CO1 Models: Two (2) Year limited parts and labor. Five (5) Year limited door warranty.☐ BevLes Products: Two (2) Year limited parts and labor.☐ Warranty period begins the date of dealer invoice to customer or ninety (90) days after shipment date from BKI, whichever comes first. |
| WARRANTY COVERAGE | <p>This warranty covers on-site labor, parts and reasonable travel time and travel expenses of the authorized service representative up to (100) miles round trip and (2) hours travel time and performed during regular, weekday business hours.</p> |
| EXCEPTIONS | <p>Any exceptions must be pre-approved in advance and in writing by BKI. The extended door warranty on convection ovens years 3 through 5 is a parts only warranty and does not include labor, travel, mileage or any other charges.</p> |
| EXCLUSIONS | <ul style="list-style-type: none">☐ Negligence or acts of God,☐ Thermostat calibrations after (30) days from equipment installation date,☐ Air and gas adjustments,☐ Light bulbs,☐ Glass doors and door adjustments,☐ Fuses,☐ Adjustments to burner flames and cleaning of pilot burners,☐ Tightening of screws or fasteners,☐ Failures caused by erratic voltages or gas suppliers,☐ Unauthorized repair by anyone other than a BKI Factory Authorized Service Center,☐ Damage in shipment,☐ Alteration, misuse or improper installation,☐ Thermostats and safety valves with broken capillary tubes,☐ Freight - other than normal UPS charges,☐ Ordinary wear and tear,☐ Failure to follow installation and/or operating instructions,☐ Events beyond control of the company. |
| INSTALLATION | <p>Leveling, as well as proper installation and check out of all new equipment - per appropriate installation and use materials - is the responsibility of the dealer or installer, not the manufacturer.</p> |
| REPLACEMENT PARTS | <p>BKI genuine Factory OEM parts receive a (90) day materials warranty effective from the date of installation by a BKI Factory Authorized Service Center.</p> |

Table of Contents

| | |
|---------------------------------------|-----------|
| Table of Contents | 1 |
| Introduction | 2 |
| Safety Precautions | 2 |
| Safety Signs and Messages | 2 |
| Safe Work Practices | 3 |
| Safety Decals..... | 5 |
| Health And Sanitation Practices | 6 |
| Food Handling..... | 6 |
| Storage Of Raw Meats | 6 |
| Coding Cooked Foods | 6 |
| Storage Of Prepared Foods..... | 6 |
| Installation | 7 |
| Unpacking and Handling | 7 |
| Location and Clearance | 7 |
| Wiring | 7 |
| Replacement Parts | 8 |
| Assemblies | 8 |
| Electrical Components | 21 |
| Mechanical Components..... | 23 |
| Accessories | 25 |
| Wiring Diagrams | 26 |
| Notes | 35 |

Introduction

The Double Revolving Oven is a compact, attractive and functional unit utilizing a double revolving mechanism that ensures fast and even product cooking. It contains removable components and doors on both sides for easy accessibility, maintenance and cleaning. A touch pad controller and switches are provided to allow for quick setup and operation of the unit.

The BKI name and trademark on this unit assures you of the finest in design and engineering -- that it has been built with care and dedication -- using the best materials available. Attention to the operating instructions regarding proper installation, operation, and maintenance will result in long lasting dependability to insure the highest profitable return on your investment.

NOTICE

PLEASE READ THIS ENTIRE MANUAL BEFORE OPERATING THE UNIT. If you have any questions, please contact your BKI Distributor. If they are unable to answer your questions, contact the BKI Technical Service Department, toll free: 1-800-927-6887. Outside the U.S., call 1-864-963-3471.

Safety Precautions

Always follow recommended safety precautions listed in this manual. Below is the safety alert symbol. When you see this symbol on your equipment, be alert to the potential for personal injury or property damage.



Safety Signs and Messages

The following Safety signs and messages are placed in this manual to provide instructions and identify specific areas where potential hazards exist and special precautions should be taken. Know and understand the meaning of these instructions, signs, and messages. Damage to the equipment, death or serious injury to you or other persons may result if these messages are not followed.

⚠ DANGER

This message indicates an imminently hazardous situation which, if not avoided, will result in death or serious injury.

⚠ WARNING

This message indicates a potentially hazardous situation, which, if not avoided, could result in death or serious injury.

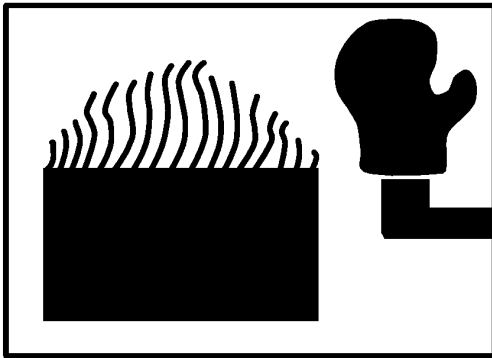
⚠ CAUTION

This message indicates a potentially hazardous situation, which, if not avoided, may result in minor or moderate injury. It may also be used to alert against unsafe practices.

NOTICE

This message is used when special information, instructions or identification are required relating to procedures, equipment, tools, capacities and other special data.

Safe Work Practices

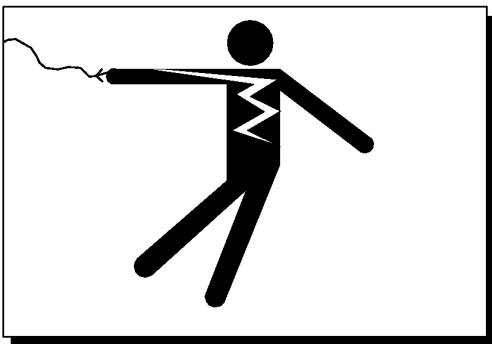


Wear Safe Clothing Appropriate To Your Job

Always wear your insulated mitts when handling hot racks or touch any hot metal surface. If you lose or damage your mitts, you can buy new ones at your local restaurant equipment supply store or from your local BKI Distributor.

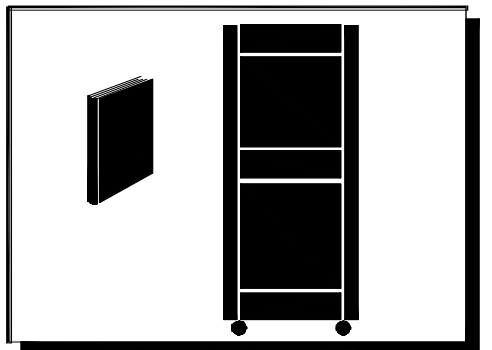
Never wear loose clothing such as neckties or scarves while operating this equipment. Keep loose hair tied back or in a hair net while operating this equipment.

Always wear appropriate personal protection equipment during the cleaning process to guard against possible injury from hot cleaning solution.



Beware of High Voltage

This equipment uses high voltage. Serious injury can occur if you or any untrained or unauthorized person installs, services, or repairs this equipment. Always use an Authorized Service agent to service your equipment.



Keep this manual with the Equipment

This manual is an important part of your equipment. Always keep it near for easy access.

If you need to replace this manual, contact:

BKI
 Technical Services Department
 2812 Grandview Drive
 Simpsonville, S.C. 29680
 Or call toll free: 1-800-927-6887

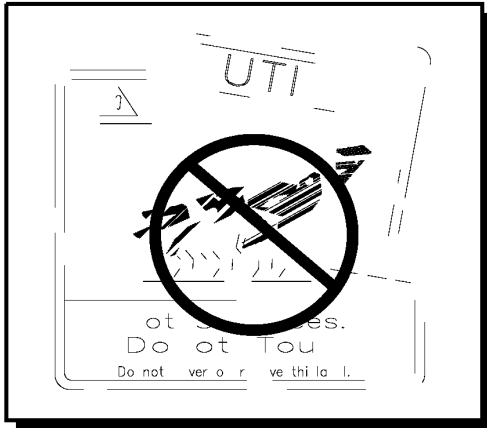
Outside the U.S., call 864-963-3471



Protect Children

Keep children away from this equipment. Children may not understand that this equipment is dangerous for them and others.

NEVER allow children to play near or operate your equipment.

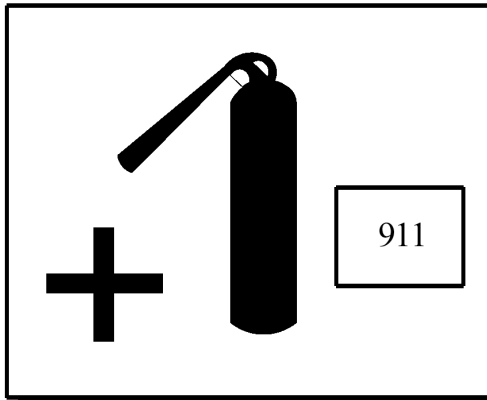


Keep Safety Labels Clean and in Good Condition

Do not remove or cover any safety labels on your equipment. Keep all safety labels clean and in good condition. Replace any damaged or missing safety labels. Refer to the Safety Labels section for illustration and location of safety labels on this unit.

If you need a new safety label, obtain the number of the specific label illustrated on page 5, then contact:

BKI
 Technical Services Department
 2812 Grandview Drive
 Simpsonville, S.C. 29680
 Or call toll free: 1-800-927-6887
 Outside the U.S., call 864-963-3471

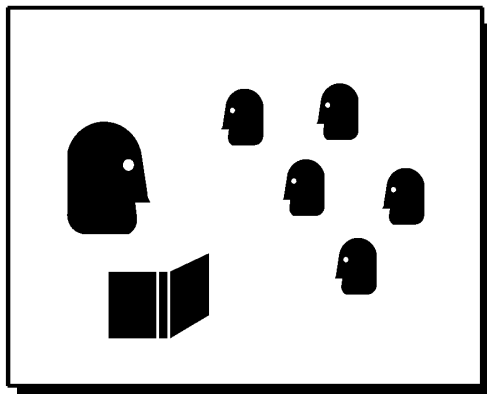


Be Prepared for Emergencies

Be prepared for fires, injuries, or other emergencies.

Keep a first aid kit and a fire extinguisher near the equipment. You must use a 40-pound Type BC fire extinguisher and keep it within 25 feet of your equipment.

Keep emergency numbers for doctors, ambulance services, hospitals, and the fire department near your telephone.



Know your responsibilities as an Employer

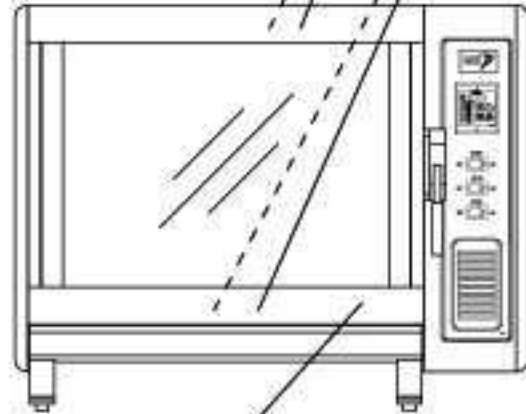
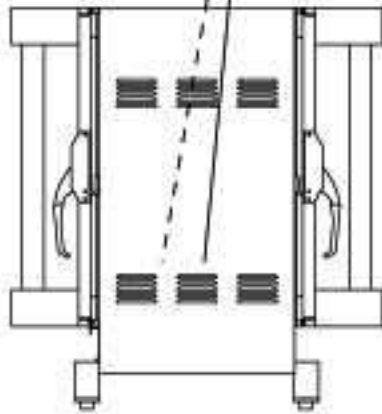
- Make certain your employees know how to operate the equipment.
- Make certain your employees are aware of the safety precautions on the equipment and in this manual.
- Make certain that you have thoroughly trained your employees about operating the equipment safely.
- Make certain the equipment is in proper working condition. If you make unauthorized modifications to the equipment, you will reduce the function and safety of the equipment.

Safety Decals

N0202



N0200



N0391



Health And Sanitation Practices

BKI Rotisserie Ovens are manufactured to comply with health regulations and are tested and certified to UL®, cUL®, and NSF® standards. You must operate the equipment properly using only quality products and use meat thermometers to insure meats are thoroughly cooked.

Food Handling

- Wash hands thoroughly in warm, soapy water after handling raw poultry or meats.
- Clean and sanitize all utensils and surfaces that have been in contact with raw products. Clean and sanitize the meat forks or baskets between cooking.
- **Never** place cooked meats on the same surfaces used to prepare raw meats, unless the area has been thoroughly cleaned and sanitized.

Storage Of Raw Meats

- Designate an area or shelf strictly for the storage of all raw meats to be used in the rotisserie.
- Raw product must always be stored at temperatures below 38° F. (3° C.).
- **Never** store or mix raw foods above cooked foods, as this is a health hazard. The drippings from raw foods contaminate cooked or processed foods.
- All chicken and chicken parts to be stored overnight must be thoroughly iced down and refrigerated.

Coding Cooked Foods

All products cooked during the day should be sold the same day.

NOTE: It is not the intent of the rotisserie program to have unsold merchandise at the end of the cooking day. Follow your company's procedures for the handling of any leftover product.

Storage Of Prepared Foods

- Cold foods should be kept at or below 38° F. (3° C.).
- Hot foods must be maintained to meet local health codes, usually a minimum 145° F. (63° C.).

Installation

⚠ WARNING

Serious injury, equipment damage or death could result if attempting to install this oven yourself. Ensure that an authorized BKI service agent install the oven.

Unpacking and Handling

It is the owners' responsibility to file all freight claims with the delivering truck line. Inspect all cartons and crates for damage as soon as they arrive. If damage to cartons or crates is found, or if a shortage is found, note this on the bill of lading (all copies) prior to signing.

If damage is found when the equipment is opened, immediately call the delivering truck line and follow up the call with a written report indicating concealed damage to your shipment. Ask for an immediate inspection of your concealed damage item. Packaging material **MUST** be retained to show the inspector from the truck line.

Remove all packing from the interior and exterior of the oven.

Location and Clearance

Place the oven no less than 10.5" (26.7 cm.) to combustible surfaces at the rear of the machine, and 1" (2.54 cm.) on the sides.

Wiring

⚠ WARNING

Electrocution, equipment failure or property damage could result if an unlicensed electrician performs the electrical installation. Ensure that a licensed electrician perform the electrical installation in accordance with local codes, or in the absence of local codes, with the National Electrical Code, ANSI NFPA 70-20XX.

This unit, when installed by an authorized BKI service agent, must be wired for use in accordance with all applicable local, state, and federal codes. For specific electrical requirements and connections refer to the wiring diagram attached to the unit or provided in the Service Manual.

Replacement Parts

Use the information in this section to identify replacement parts. To order replacement parts, call your local BKI sales and service representative. Before calling, please note the serial number on the rating tag affixed to the unit.

Assemblies

| Description | Assembly # | Figure # | Table # |
|------------------------------|------------|----------|---------|
| BEARING REPLACEMENT KIT | AN9513560S | Figure 1 | Table 1 |
| CONTROLLER W/ DECAL, 300° F | AN9514390S | Figure 2 | Table 2 |
| CONTROLLER W/ DECAL, 325° F | AN9513280S | Figure 2 | Table 2 |
| CONTROLLER W/ DECAL, CELSIUS | AN9514850S | Figure 2 | Table 2 |
| COOLING FAN | AB95148400 | Figure 3 | Table 3 |
| MOTOR PLATE (208V) | AB95148000 | Figure 4 | Table 4 |
| DOOR, CUSTOMER SIDE | AC95124900 | Figure 5 | Table 5 |
| DOOR, OPERATOR SIDE | AC95124600 | Figure 6 | Table 6 |
| DRIVE ROTOR | AB95147500 | Figure 7 | Table 7 |
| MOTOR PLATE (220-240V) | AB95148100 | Figure 8 | Table 8 |
| ROTOR/SHAFT | AN9514780S | Figure 9 | Table 9 |

Figure 1. Bearing Replacement Kit

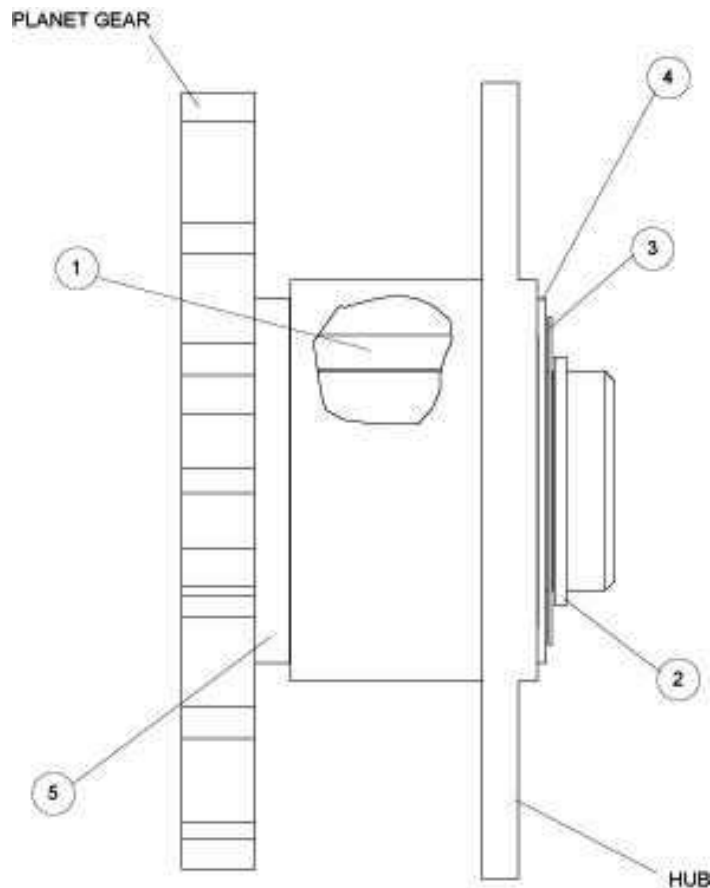


Table 1. Bearing Replacement Kit Parts

| ITEM # | PART # | QTY | DESCRIPTION |
|---------------|---------------|------------|--------------------------------|
| 1 | B0241 | 5 | BEARING, .75 ID X 1. OD .813 L |
| 2 | FT0366 | 5 | RETAINING RING, PLANETARY GEAR |
| 3 | FT0367 | 5 | SHIM, PLANETARY GEAR DR34 |
| 4 | WSH256 | 5 | WASHER, THRUST .765ID X 1.25OD |
| 5 | WSH257 | 5 | WASHER, THRUST .765ID X 1.25OD |

Figure 2. Controller w/ Decal

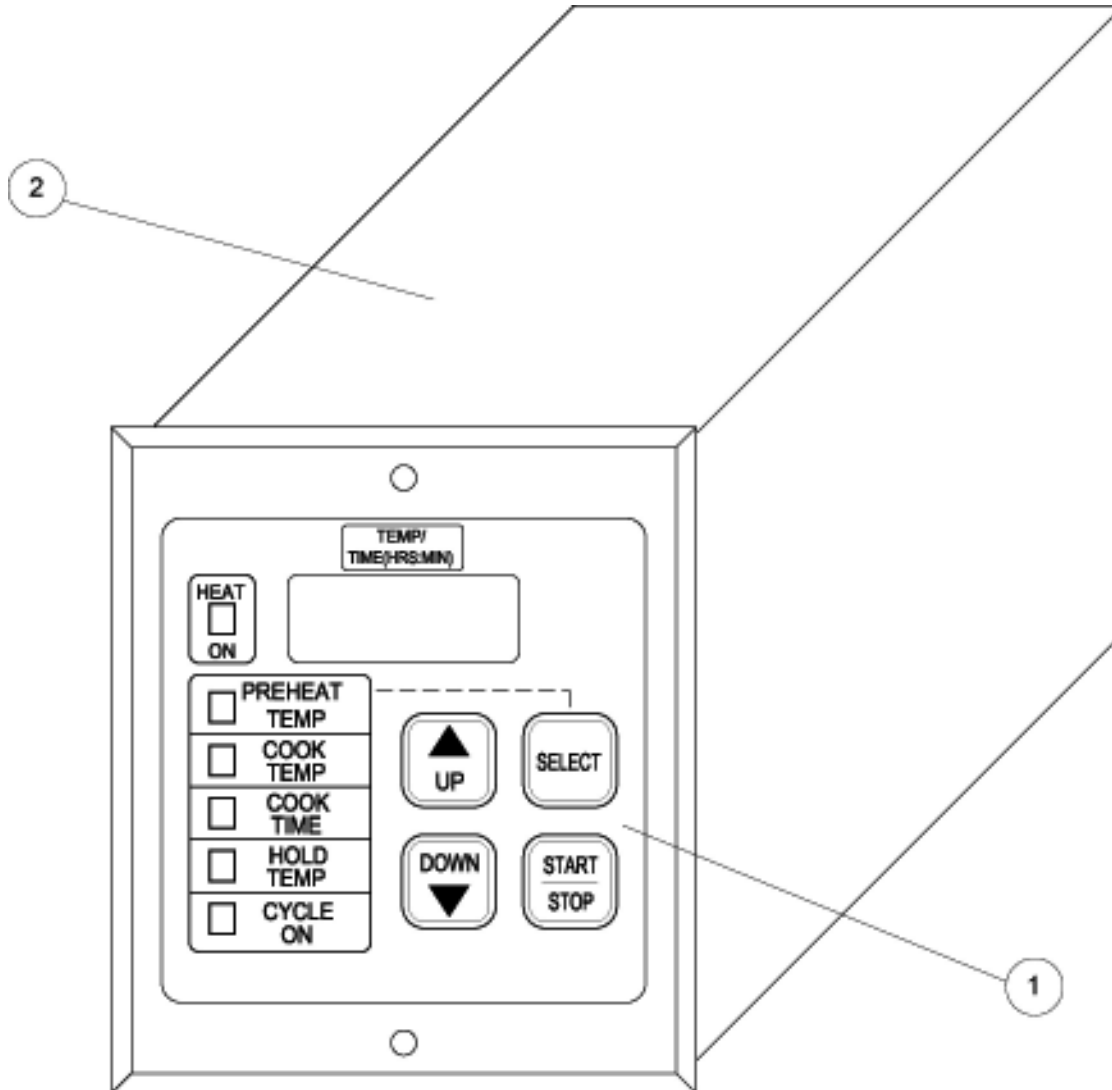


Table 2. Controller w/ Decal Parts

| ITEM # | PART # | QTY | DESCRIPTION |
|--------|--|-----|---|
| 1 | N0274 | 1 | DECAL, DR34 CONTROLLER |
| 2 | CP0028* OR CP0020* OR CP0026 | 1 | CONTROLLER, 300° F OR CONTROLLER, 325° F OR CONTROLLER, CELSIUS |

* - These units can be converted in the field to read the temperature in degrees Celsius. Please contact BKI Technical Services for instructions.

Figure 3. Cooling Fan

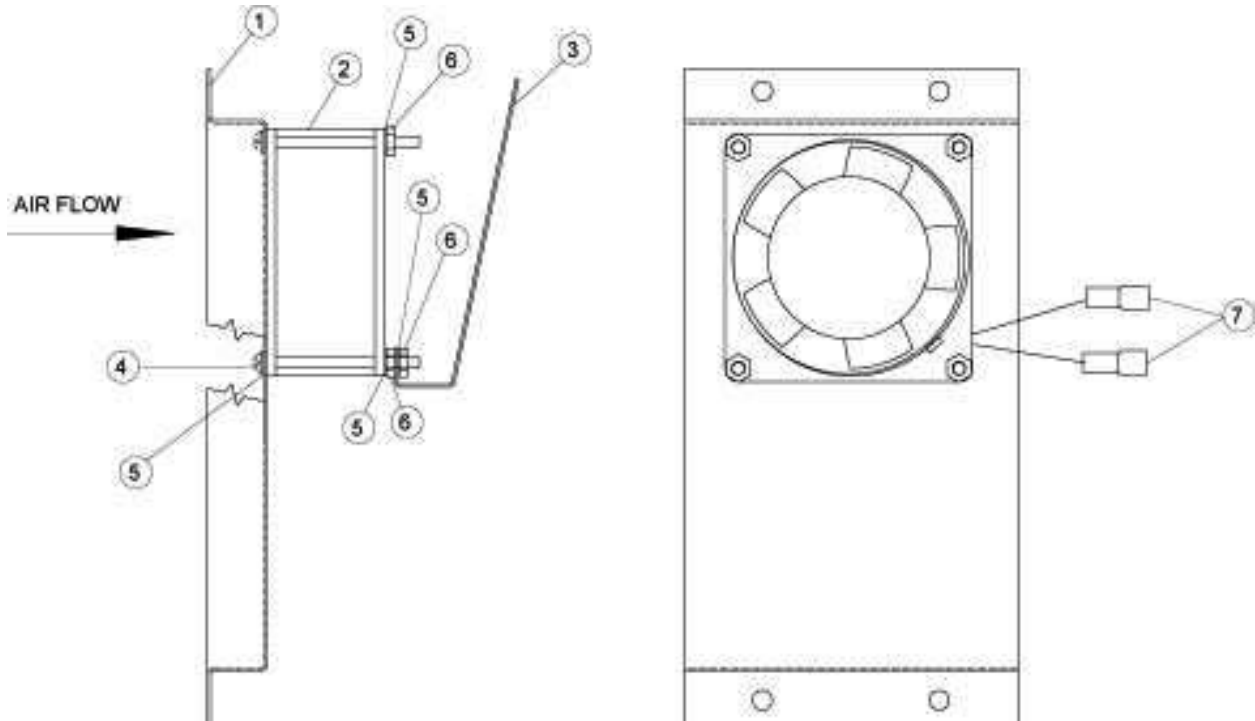


Table 3. Cooling Fan Parts

| ITEM # | PART # | QTY | DESCRIPTION |
|--------|------------|-----|---------------------------------|
| 1 | FB95126202 | 1 | FAN PLENUM, DR |
| 2 | FN0014 | 1 | FAN, 230V NMB 3115FS23WB30 |
| 3 | FA95129702 | 1 | AIR DEFLECTOR, DR |
| 4 | SCR315 | 4 | SCREW, 6-32 X 2 RD HD SLTD |
| 5 | WSH089 | 10 | WASHER, #6 INT LOCK ZINC PLATED |
| 6 | NUT048 | 6 | NUT, 6-32 HEX ZINC PLTD |
| 7 | F0243 | 3 | TERMINAL, 1/4" QUICK CONNECT |

Figure 4. Motor Plate (208V)

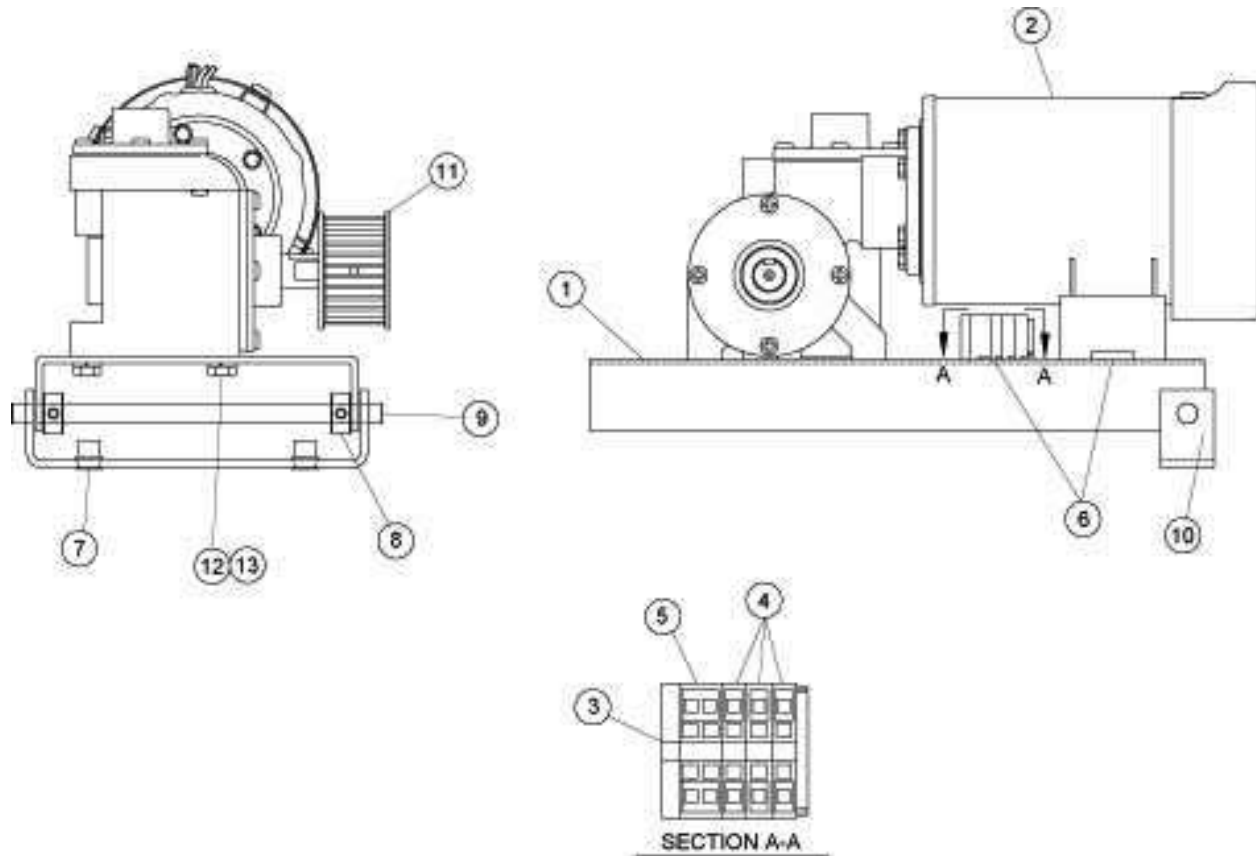


Table 4. Motor Plate (208V) Parts

| ITEM # | PART # | QTY | DESCRIPTION |
|--------|------------|------|---------------------------------|
| 1 | PN95147900 | 1 | MOTOR MOUNT PLATE PAINTED |
| 2 | M0086 | 1 | MOTOR, 208V .48/.5A BALDOR |
| 3 | TB0068 | 1 | TERM BLOCK END PLATE |
| 4 | TB0066 | 3 | TERM BLOCK 2 CONDUCTOR CTR |
| 5 | TB0064 | 1 | TERM BLOCK 4 CONDUCTOR CTR |
| 6 | TP0037 | 0.25 | TAPE, 7/8 DBL SIDE 3M6381 WHITE |
| 7 | F0079 | 2 | THREAD INSERT 1/4-20 STEEL |
| 8 | FT0032 | 2 | COLLAR, 3/8" LSC-6 RB |
| 9 | MA95124402 | 1 | MOTOR MOUNT HINGE PIN, DR |
| 10 | PN95124300 | 1 | DR MOTOR MOUNT CHANNEL HINGE |
| 11 | S0129 | 1 | SPROCKET, FLGD,H32-5M-25,.625 |
| 12 | SCR058 | 4 | SCREW, 1/4-20 X 1/2 HEX CAP |
| 13 | WSH044 | 4 | WASHER, 1/4 LOCK ZINC PLTD |

Figure 5. Customer Side Door

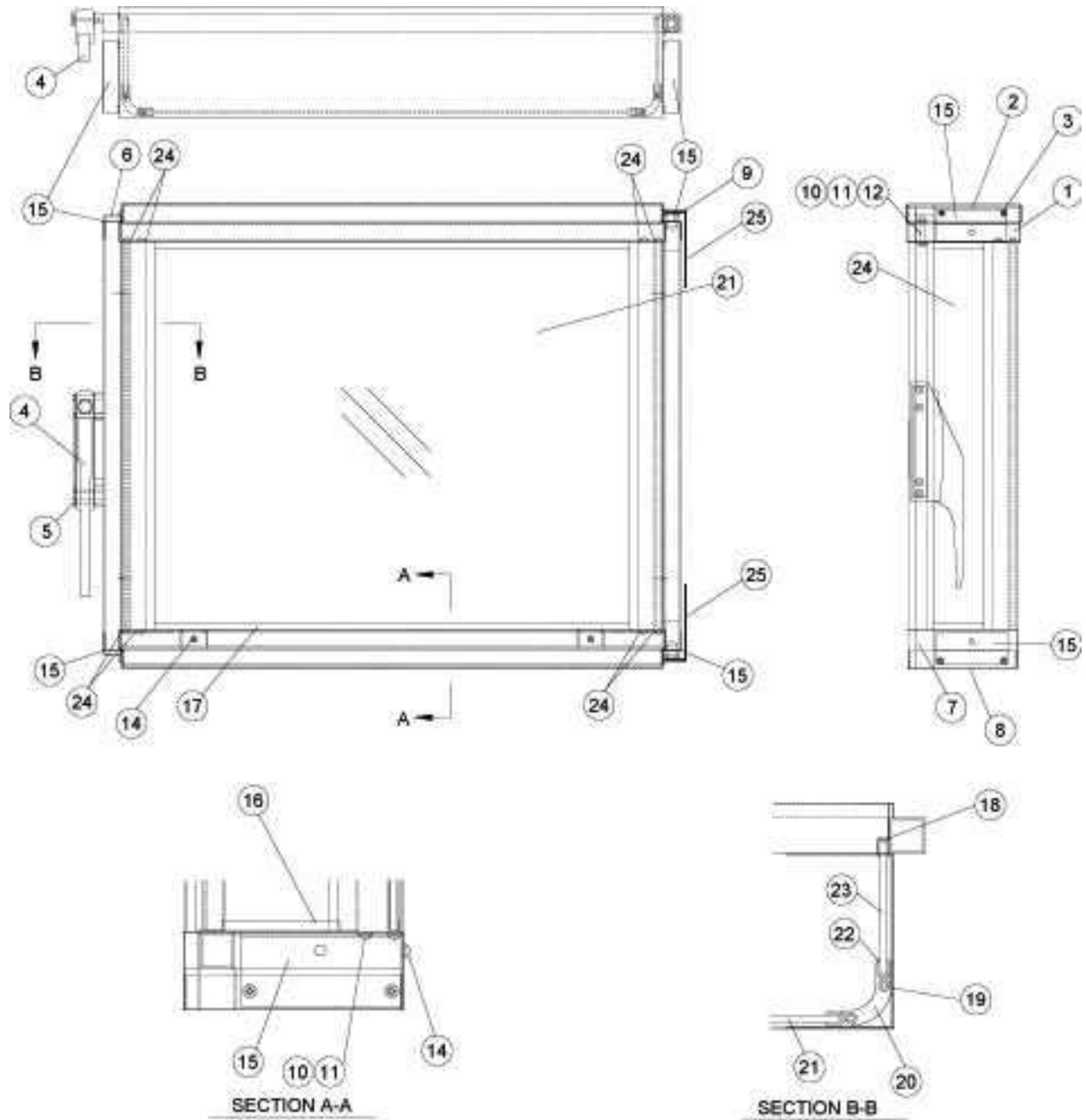


Table 5. Customer Side Door Parts

| ITEM # | PART # | QTY | DESCRIPTION |
|--------|------------|-----|----------------------------------|
| 1 | WB95121000 | 1 | DOOR TOP WELD DR |
| 2 | WB95122300 | 1 | DOOR TOP COVER WELD, DR |
| 3 | SCR138 | 8 | SCREW, 10 X 1/2 PHIL TR HD |
| 4 | L0103 | 1 | LATCH, MAGNETIC COMPOSITE |
| 5 | SCR390 | 4 | SCREW, 10-24 X 1-1/2 SOC FLAT HD |
| 6 | WC95122900 | 1 | DOOR FRAME WELD, CUST DR-34 |
| 7 | WB95122100 | 1 | DOOR BOTTOM WELDMENT DR |
| 8 | FB95122203 | 1 | DOOR BOTTOM COVER DR |
| 9 | B0231 | 2 | BEARING, BRONZE W/ FLANGE |
| 10 | SCR030 | 8 | SCREW, 10-24 X 1/2 PHIL RD HD |
| 11 | WSH093 | 2 | WASHER, #10 LOCK |
| 12 | SCR160 | 2 | SCREW, 10-24 X 1 1/2 SLTD RD |
| 13 | NUT131 | 2 | NUT, 10-24 SS 18-8 HEX |
| 14 | SCR316 | 2 | SCREW, 10-24 X 1/2 SELF TAP |
| 15 | FB95133003 | 4 | MTG BRACKET, DR DOOR FRAME |
| 16 | MA95124700 | 4 | DOOR SIDE GLASS TRIM, DR |
| 17 | MA95124800 | 2 | DOOR FRONT GLASS TRIM, DR |
| 18 | FB95120903 | 2 | DOOR TRIM, DR |
| 19 | SCR359 | 8 | SCREW, 10 X 1/2 TYPE B PHIL |
| 20 | EA0067 | 2 | EXTRUSION, DOOR 21.562 DR |
| 21 | GL0176 | 1 | GLASS, 21 13/32 X 27 13/32 |
| 22 | GT0004 | 6 | GASKET, LG. U BLACK |
| 23 | GL0194 | 2 | GLASS, SIDE DOOR DR34 |
| 24 | WSH091 | 8 | WASHER, 3/16 FLAT |
| 25 | H0069 | 2 | HINGE, DOOR DR |

Figure 6. Operator Side Door

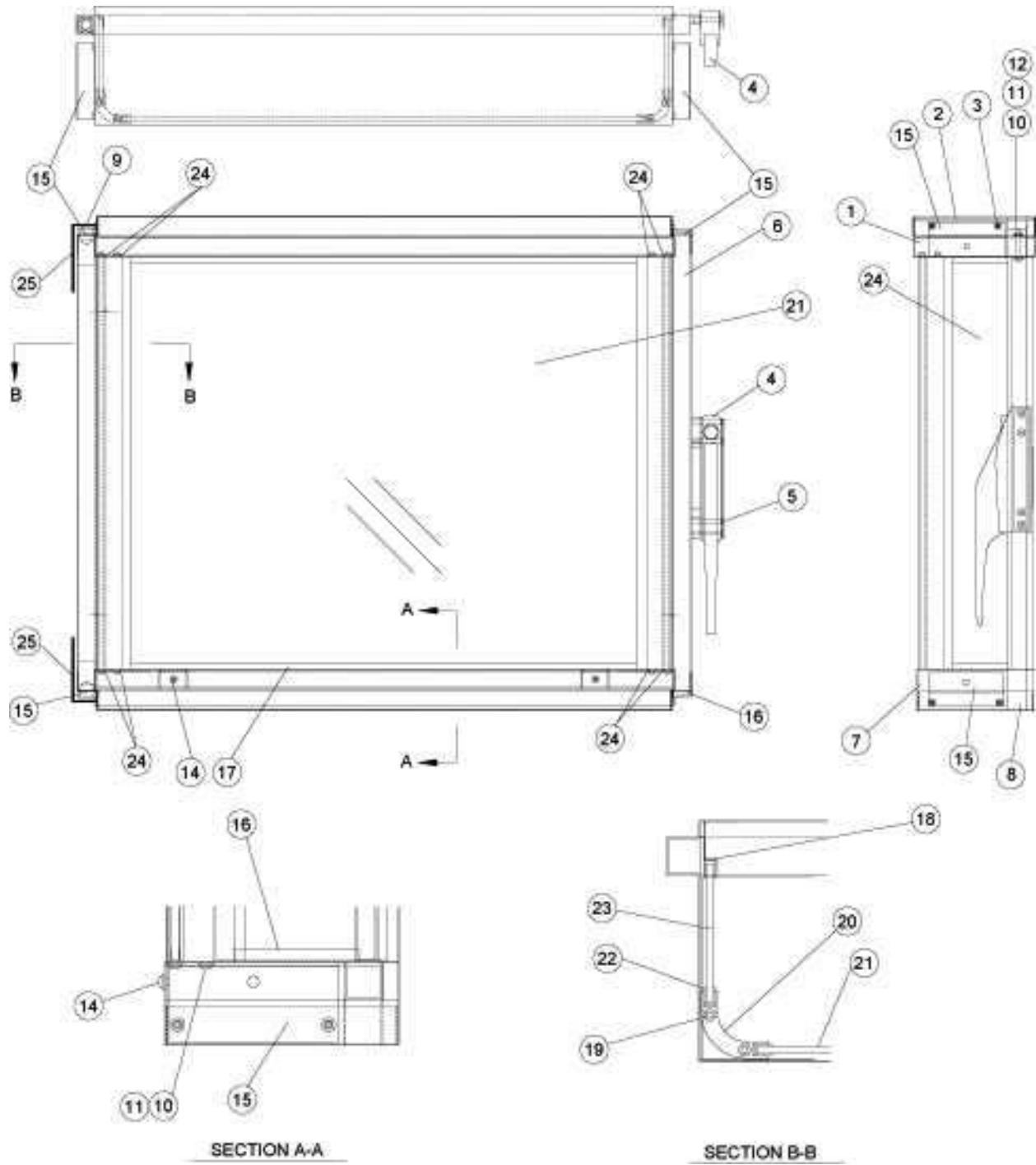


Table 6. Operator Side Door Parts

| ITEM # | PART # | QTY | DESCRIPTION |
|--------|------------|-----|----------------------------------|
| 1 | WB95121000 | 1 | DOOR TOP WELD DR |
| 2 | WB95122300 | 1 | DOOR TOP COVER WELD, DR |
| 3 | SCR138 | 8 | SCREW, 10 X 1/2 PHIL TR HD |
| 4 | L0103 | 1 | LATCH, MAGNETIC COMPOSITE |
| 5 | SCR390 | 4 | SCREW, 10-24 X 1-1/2 SOC FLAT HD |
| 6 | WC95123500 | 1 | DOOR FRAME WELD OPER DR34 |
| 7 | WB95122100 | 1 | DOOR BOTTOM WELDMENT DR |
| 8 | FB95122203 | 1 | DOOR BOTTOM COVER DR |
| 9 | B0231 | 2 | BEARING, BRONZE W/ FLANGE |
| 10 | SCR030 | 8 | SCREW, 10-24 X 1/2 PHIL RD HD |
| 11 | WSH093 | 2 | WASHER, #10 LOCK |
| 12 | SCR160 | 2 | SCREW, 10-24 X 1 1/2 SLTD RD |
| 13 | NUT131 | 2 | NUT, 10-24 SS 18-8 HEX |
| 14 | SCR316 | 2 | SCREW, 10-24 X 1/2 SELF TAP |
| 15 | FB95133003 | 4 | MTG BRACKET, DR DOOR FRAME |
| 16 | MA95124700 | 4 | DOOR SIDE GLASS TRIM, DR |
| 17 | MA95124800 | 2 | DOOR FRONT GLASS TRIM, DR |
| 18 | FB95120903 | 2 | DOOR TRIM, DR |
| 19 | SCR359 | 8 | SCREW, 10 X 1/2 TYPE B PHIL |
| 20 | EA0067 | 2 | EXTRUSION, DOOR 21.562 DR |
| 21 | GL0276 | 1 | GLASS, W/HEAT BARRIER DR34 |
| 22 | GT0004 | 11 | GASKET, LG. U BLACK |
| 23 | GL0194 | 2 | GLASS, SIDE DOOR DR34 |
| 24 | WSH091 | 8 | WASHER, 3/16 FLAT |
| 25 | H0069 | 2 | HINGE, DOOR DR |

Figure 7. Drive Rotor

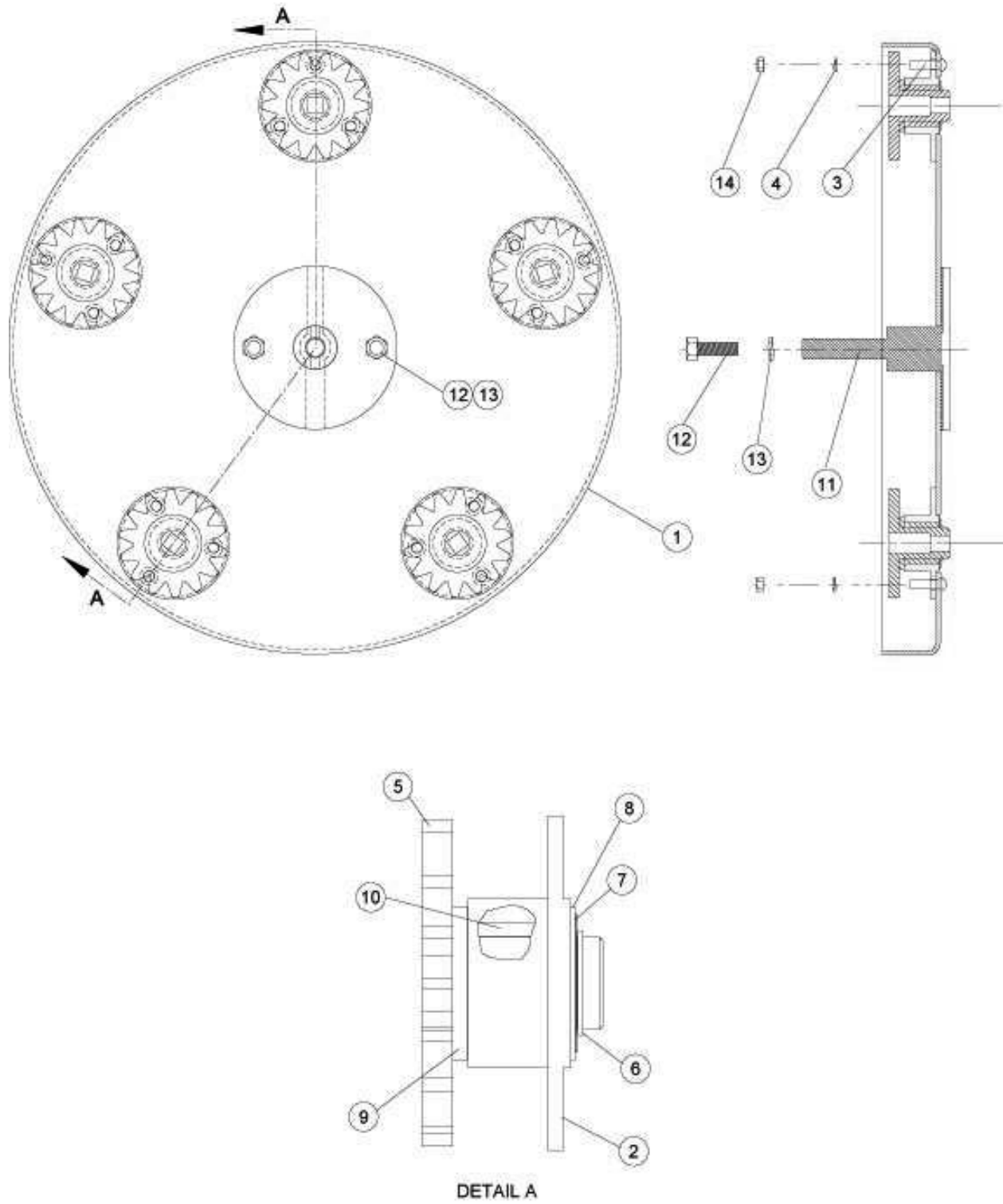


Table 7. Drive Rotor Parts

| ITEM # | PART # | QTY | DESCRIPTION |
|--------|--------|-----|--------------------------------|
| 1 | RO0029 | 1 | ROTOR, DRIVE SPINNING DR34 |
| 2 | H0067 | 5 | HUB, PLANETARY GEAR 951 |
| 3 | SCR411 | 15 | SCREW, 10-24 X 1/2 PHIL RD HD |
| 4 | WSH093 | 15 | WASHER, #10 LOCK |
| 5 | G0103 | 5 | GEAR, PLANETARY(5) 6 DIA PITCH |
| 6 | FT0366 | 5 | RETAINING RING, PLANETARY GEAR |
| 7 | FT0367 | 5 | SHIM, PLANETARY GEAR DR34 |
| 8 | WSH256 | 5 | WASHER, THRUST .765ID X 1.25OD |
| 9 | WSH257 | 5 | WASHER, THRUST .765ID X 1.25OD |
| 10 | B0241 | 5 | BEARING, .75 ID X 1. OD .813 L |
| 11 | FC0002 | 1 | COUPLING, FEMALE 4" 951 |
| 12 | SCR384 | 2 | SCREW, 5/16-18 X 1/2 S/S HEX |
| 13 | WSH260 | 2 | WASHER, 5/16 S/S LOCKWASHER |
| 14 | NUT131 | 15 | NUT, 10-24 SS 18-8 HEX |

Figure 8. Motor Plate (220-240V)

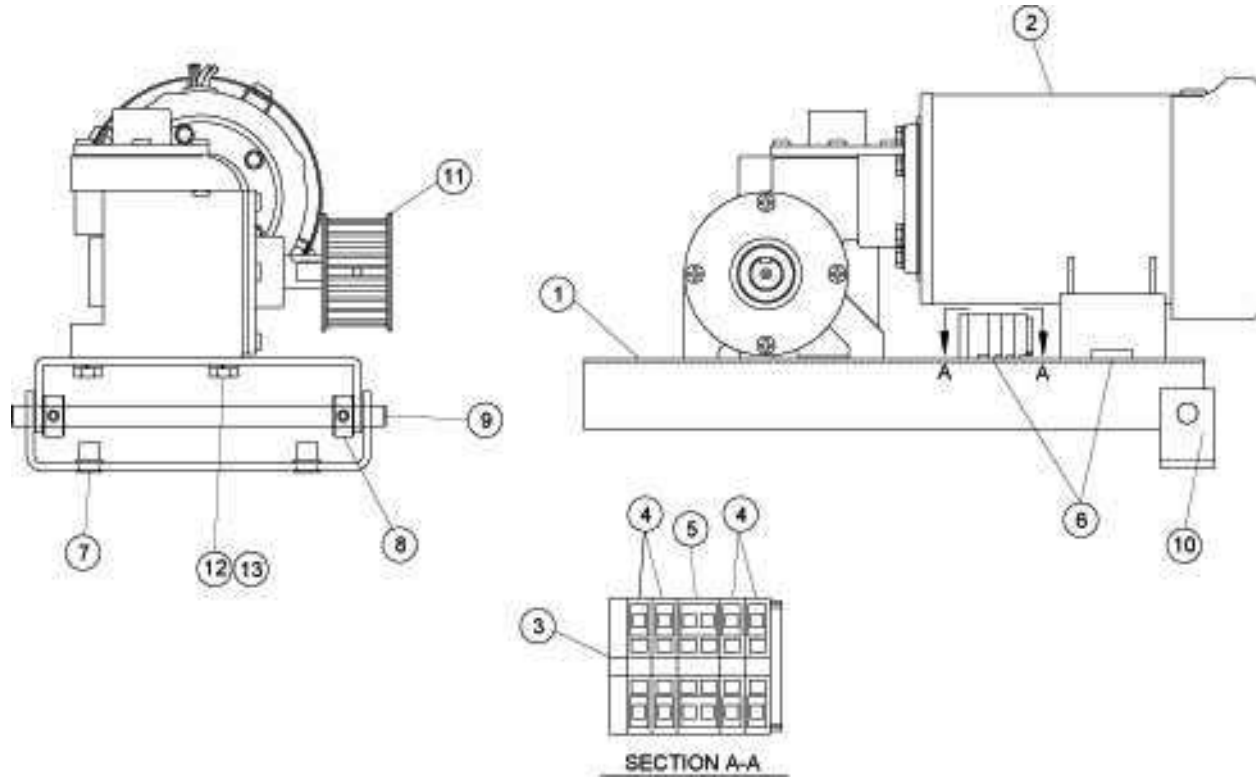


Table 8. Motor Plate (220-240V) Parts

| ITEM # | PART # | QTY | DESCRIPTION |
|--------|------------|------|------------------------------------|
| 1 | PN95147900 | 1 | MOTOR MOUNT PLATE PAINTED |
| 2 | M0087 | 1 | MOTOR, 110-120/220-240 .94/.55 AMP |
| 3 | TB0068 | 1 | TERM BLOCK END PLATE |
| 4 | TB0066 | 4 | TERM BLOCK 2 CONDUCTOR CTR |
| 5 | TB0064 | 1 | TERM BLOCK 4 CONDUCTOR CTR |
| 6 | TP0037 | 0.25 | TAPE, 7/8 DBL SIDE 3M6381 WHITE |
| 7 | F0079 | 2 | THREAD INSERT 1/4-20 STEEL |
| 8 | FT0032 | 2 | COLLAR, 3/8" LSC-6 RB |
| 9 | MA95124402 | 1 | MOTOR MOUNT HINGE PIN, DR |
| 10 | PN95124300 | 1 | DR MOTOR MOUNT CHANNEL HINGE |
| 11 | S0129 | 1 | SPROCKET, FLGD,H32-5M-25,.625 |
| 12 | SCR058 | 4 | SCREW, 1/4-20 X 1/2 HEX CAP |
| 13 | WSH044 | 4 | WASHER, 1/4 LOCK ZINC PLTD |

Figure 9. Rotor/Shaft

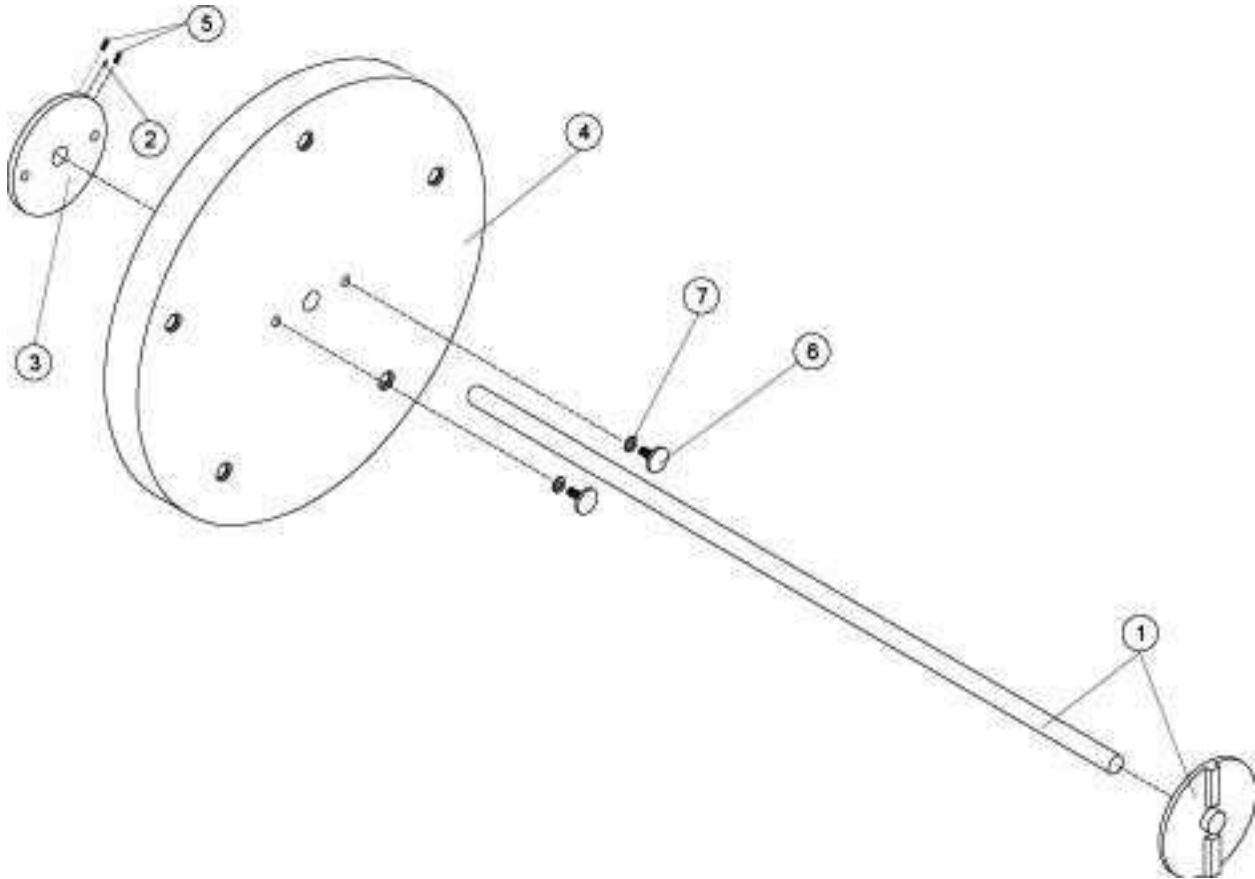


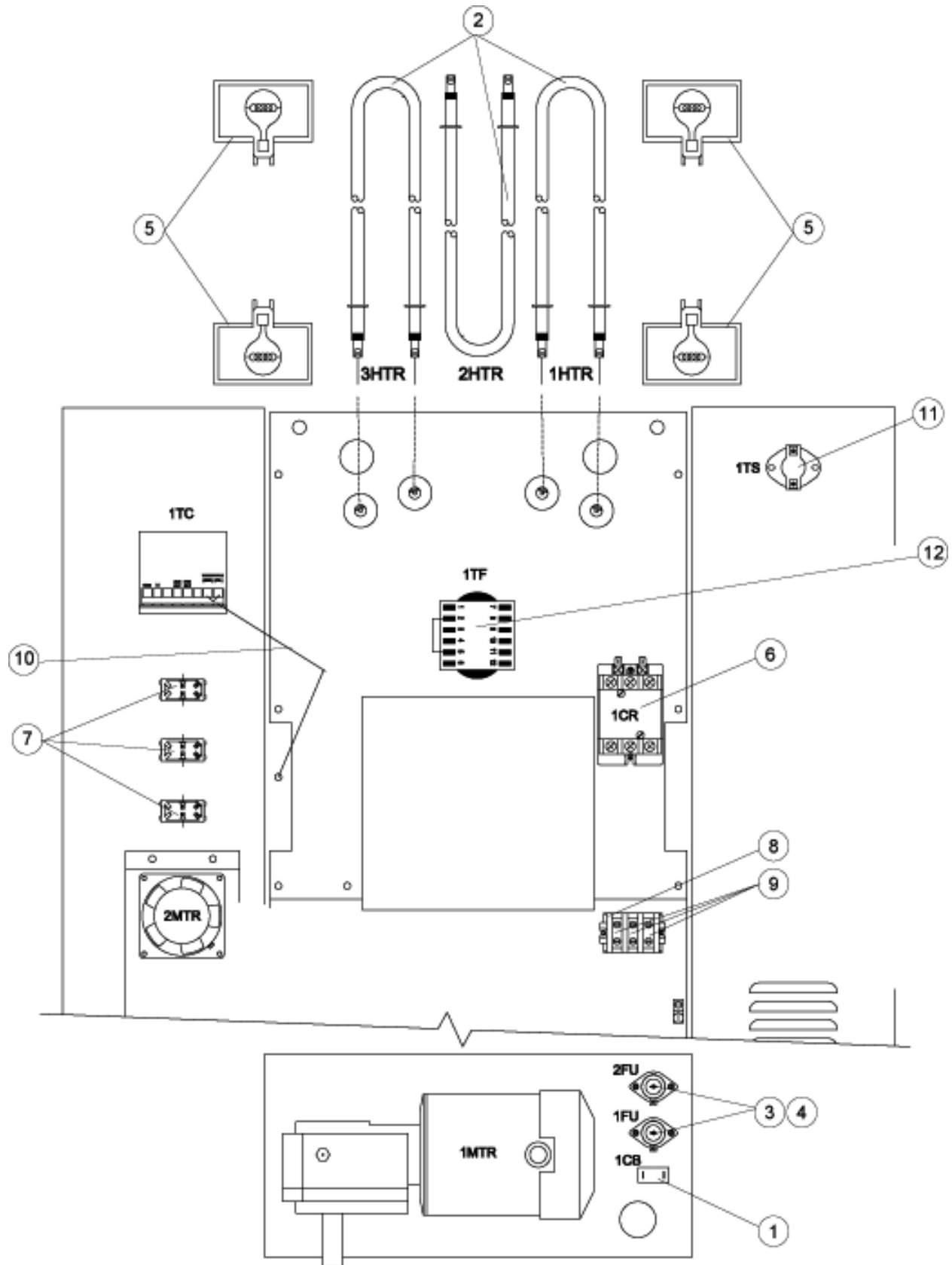
Table 9. Rotor/Shaft Parts

| ITEM # | PART # | QTY | DESCRIPTION |
|--------|------------|-----|------------------------------|
| 1 | AN95132900 | 1 | ROTOR SHAFT/MALE CPLG DR |
| 2 | F0077 | 1 | ROLL PIN, 5/32 X 1 1/8 |
| 3 | H0068 | 1 | HUB, ROTOR 4" DIA 951 |
| 4 | RO0030 | 1 | ROTOR, PASSIVE SPINNING DR |
| 5 | SCR364 | 2 | SCREW, 1/4-20 X 1/4 SOC SET |
| 6 | SCR384 | 2 | SCREW, 5/16-18 X 1/2 S/S HEX |
| 7 | WSH045 | 2 | WASHER, 5/16 LOCK ZINC PLTD |

Electrical Components

| Description | Component # | Figure # | Item # |
|---|---------------------------|----------|--------|
| BREAKER, CIRCUIT .6 AMP 250V | CB0059 | 10 | 1 |
| CALROD, 208V 2000W OR CALROD, 240V 2000W | C0290 OR C0291 | 10 | 2 |
| FUSE HOLDER, 15A 300V HPF-EE | FH0001 | 10 | 3 |
| FUSE, 15A 300V SC15 TIME DELAY | F0097 | 10 | 4 |
| LAMPHOLDER W/BULB 12V 20W (OSRAM) LENS, REPLACEMENT FOR LH0024 LAMP BULB, 20W 12V G4HALOGEN OSRAM 66428 | LH0024 LN0001 B0562 | 10 | 5 |
| RELAY, 3 POLE 42CF35AG | R0148 | 10 | 6 |
| SWITCH, DPST 15A RED LITE 250V | S0111 | 10 | 7 |
| TERM BLOCK END SECTION | TB0002 | 10 | 8 |
| TERM BLOCK MDM10/3 70A 600V OR TERM BLOCK MDM10/4 70A 600V | TB0081 OR TB0082 | 10 | 9 |
| THERMOCOUPLE, TYPE K T-2016 | T0085 | 10 | 10 |
| THERMOSTAT, HI LIMIT 2E253B | T0057 | 10 | 11 |
| TRANSFORMER, 115/230 PRI 80VA | TF0043 | 10 | 12 |

Figure 10. Electrical Components



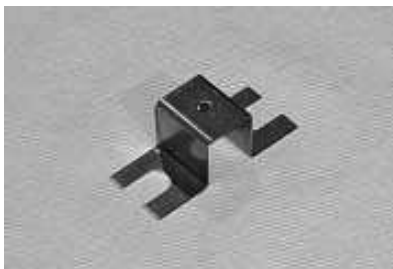
Mechanical Components

| Description | Component # | Figure # | Item # |
|------------------------------------|-------------|----------|--------|
| BELT, SYNCHRONOUS 985-5M-25 | B0502 | 11 | 1 |
| INNER CENTER ELEMENT BRACKET | FB95128102 | 11 | 2 |
| OUTER CENTER ELEMENT BRACKET | FB95128002 | 11 | 3 |
| CALROD RETAINER | FB95116302 | 11 | 4 |
| CLIP, SUN GEAR RETAINING | LZ0005 | 11 | 5 |
| GREASE DRAWER WELDMENT | WB95125800 | 11 | 6 |
| GASKET, DOOR HANDLE | G0314 | 11 | 7 |
| GEAR, SUN 951 57 TEETH | G0102 | 11 | 8 |
| GUARD, DR34 DOOR TRIM | G0104 | 11 | 9 |
| HUB, ROTOR 4" DIA 951 | H0068 | 11 | 10 |
| BRACKET, CALROD HOLDER AND BRACKET | B0459B | 11 | 11 |
| LEG, INSERT TYPE FOR 2" TUBE | L0045 | 11 | 12 |
| PROBE GUARD | FA95128202 | 11 | 13 |
| ROTOR SHIM | FA95134202 | 11 | 14 |
| SCREW, 10-24 X 3/4 KNURLED BRT | SCR121 | 11 | 15 |
| SHAFT SEAT | FT0391 | 11 | 16 |
| SPROCKET, UNFLGD,MTO H96-5M-25 | S0130 | 11 | 17 |
| TERM BLOCK 6H12-TSCU-F | TB0001 | 11 | 18 |
| TERM BLOCK, 1 POLE CERAMIC | F0358 | 11 | 19 |
| TERMINAL GROUNDING LUG | F0111 | 11 | 20 |
| PAN, BOTTOM | FB95103303 | 11 | 21 |

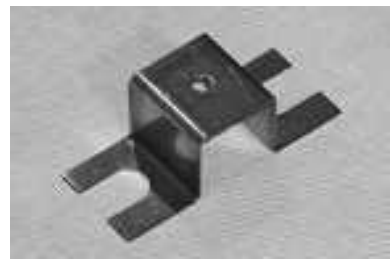
Figure 11. Mechanical Components



1



2



3



4



5



6

Figure 11. Mechanical Components - Continued



7



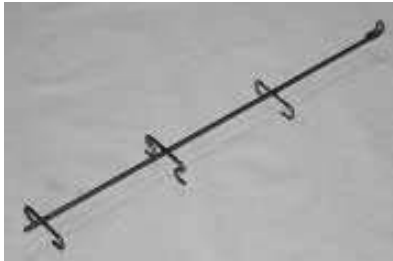
8



9



10



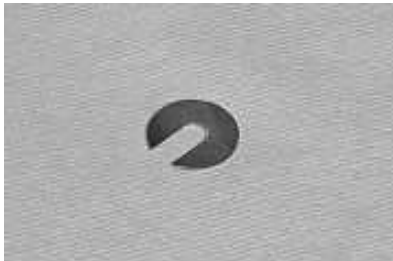
11



12



13



14



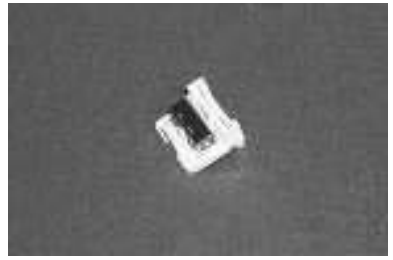
15



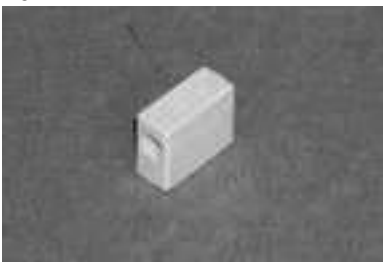
16



17



18



19



20



21

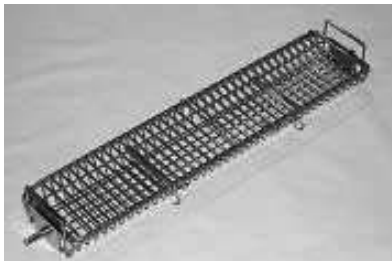
Accessories

| Description | Accessory # | Figure # | Item # |
|------------------------------|-------------|----------|--------|
| BASKET, MEAT LARGE CLAMSHELL | MB0015 | 12 | 1 |
| BASKET, MEAT SM CLAMSHELL | MB0011 | 12 | 2 |
| INSULATED MITT 13" | G0052 | 12 | 3 |
| MEAT FORK ASSY | SB9536 | 12 | 4 |
| MEAT FORK ASSY, TURKEY | SB9537 | 12 | 5 |
| VEE SPIT 26.563" | MF0021 | 12 | 6 |

Figure 12. Accessories



1



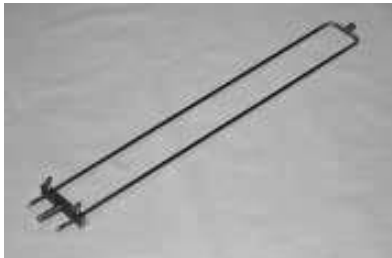
2



3



4



5



6

Wiring Diagrams

Refer to the table below to find the wiring diagram associated with your unit.

| Wiring Diagram | Figure # | Page # |
|-----------------------------|-----------------|---------------|
| 220V, 240V, 208V, 3 Phase | Figure 13 | 27 |
| 240/415V, 220/380V, 3 Phase | Figure 14 | 29 |
| 220V, 240V, 208V, 1 Phase | Figure 15 | 31 |
| 240/415V, 220/380V, 1 Phase | Figure 16 | 33 |

Figure 13. 220V, 240V, 208V, 3 Phase (Sheet 1 of 2)

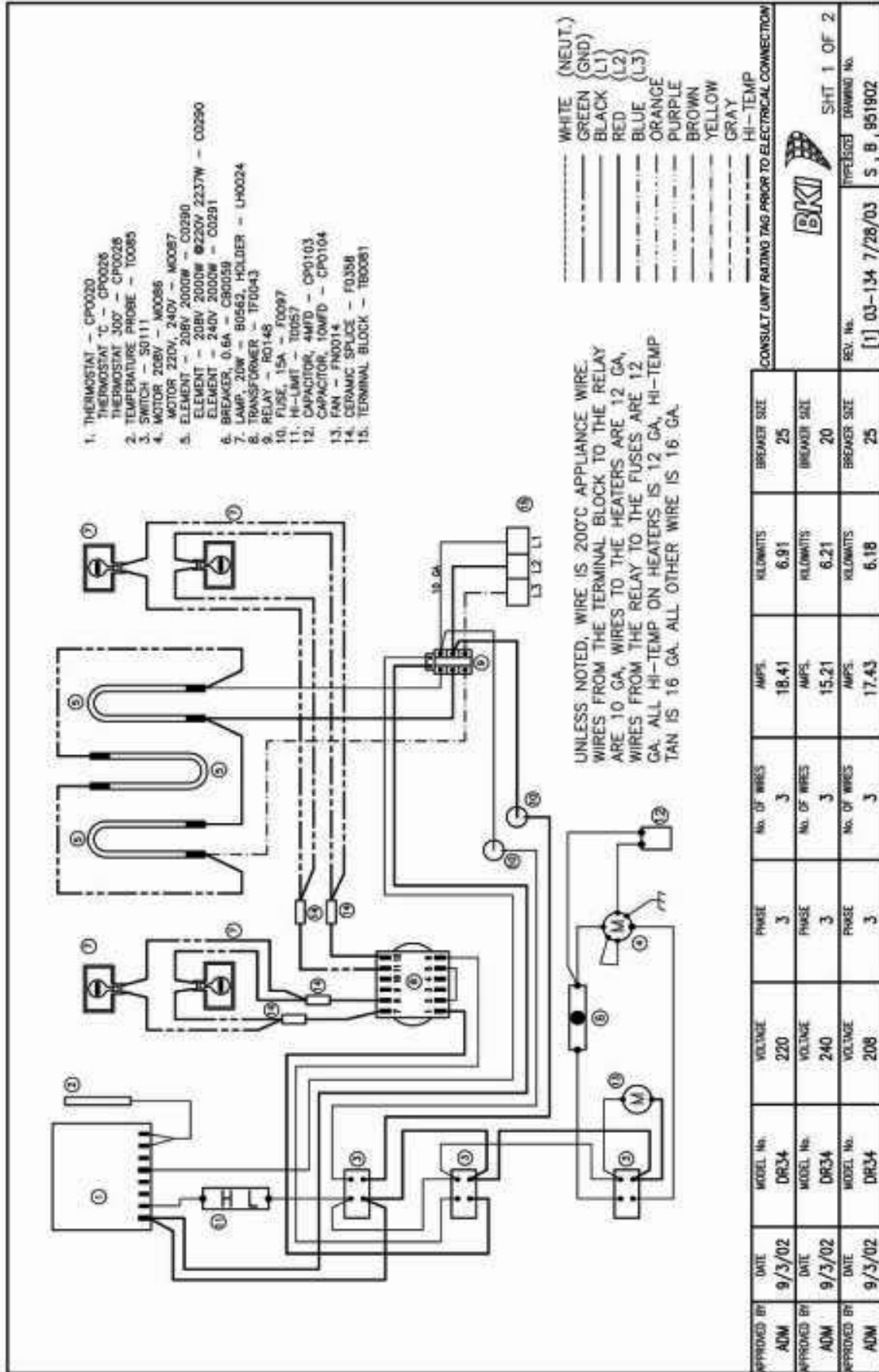


Figure 13. 220V, 240V, 208V, 3 Phase (Sheet 2 of 2)

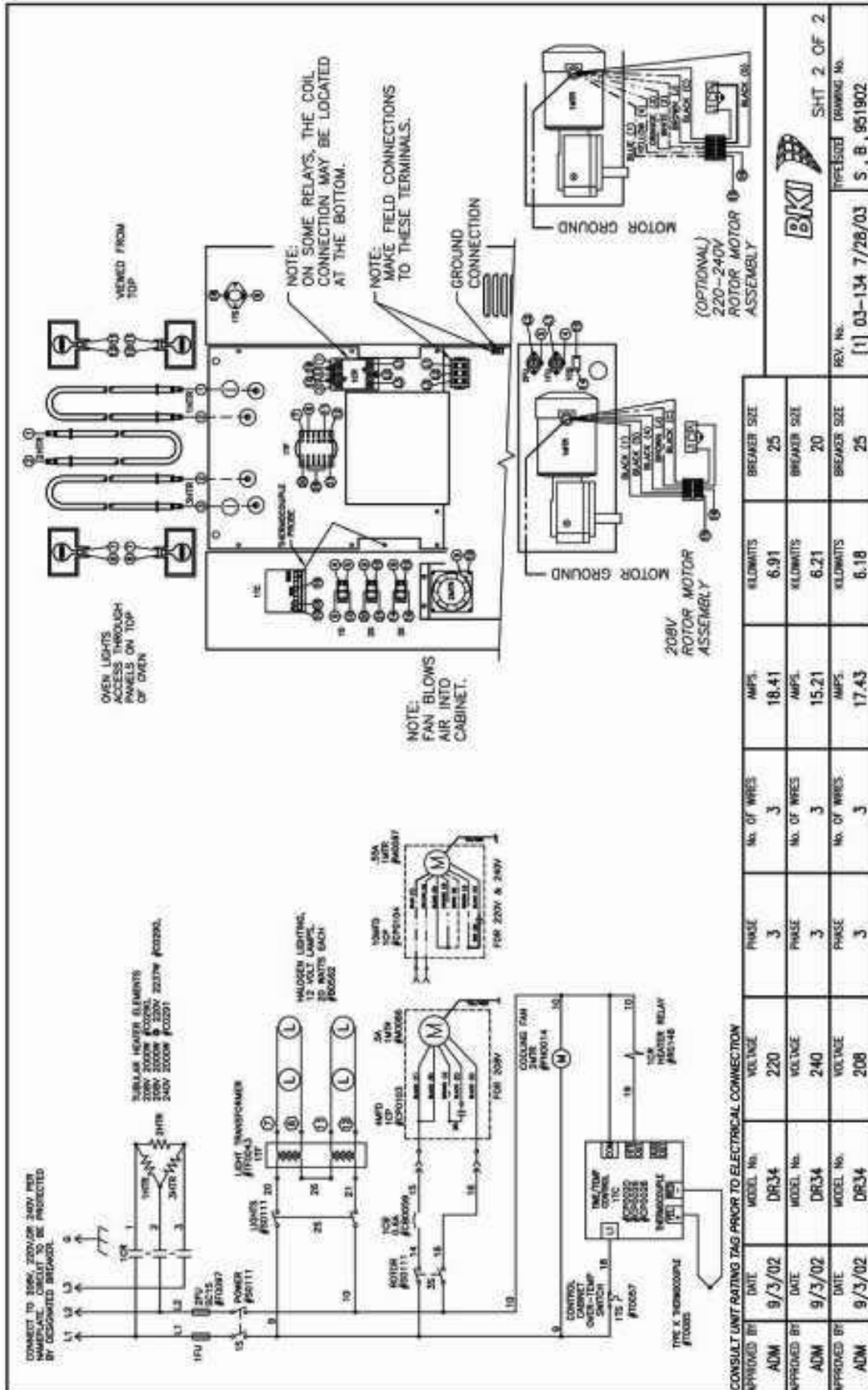


Figure 14. 240/415V, 220/380V, 3 Phase (Sheet 1 of 2)

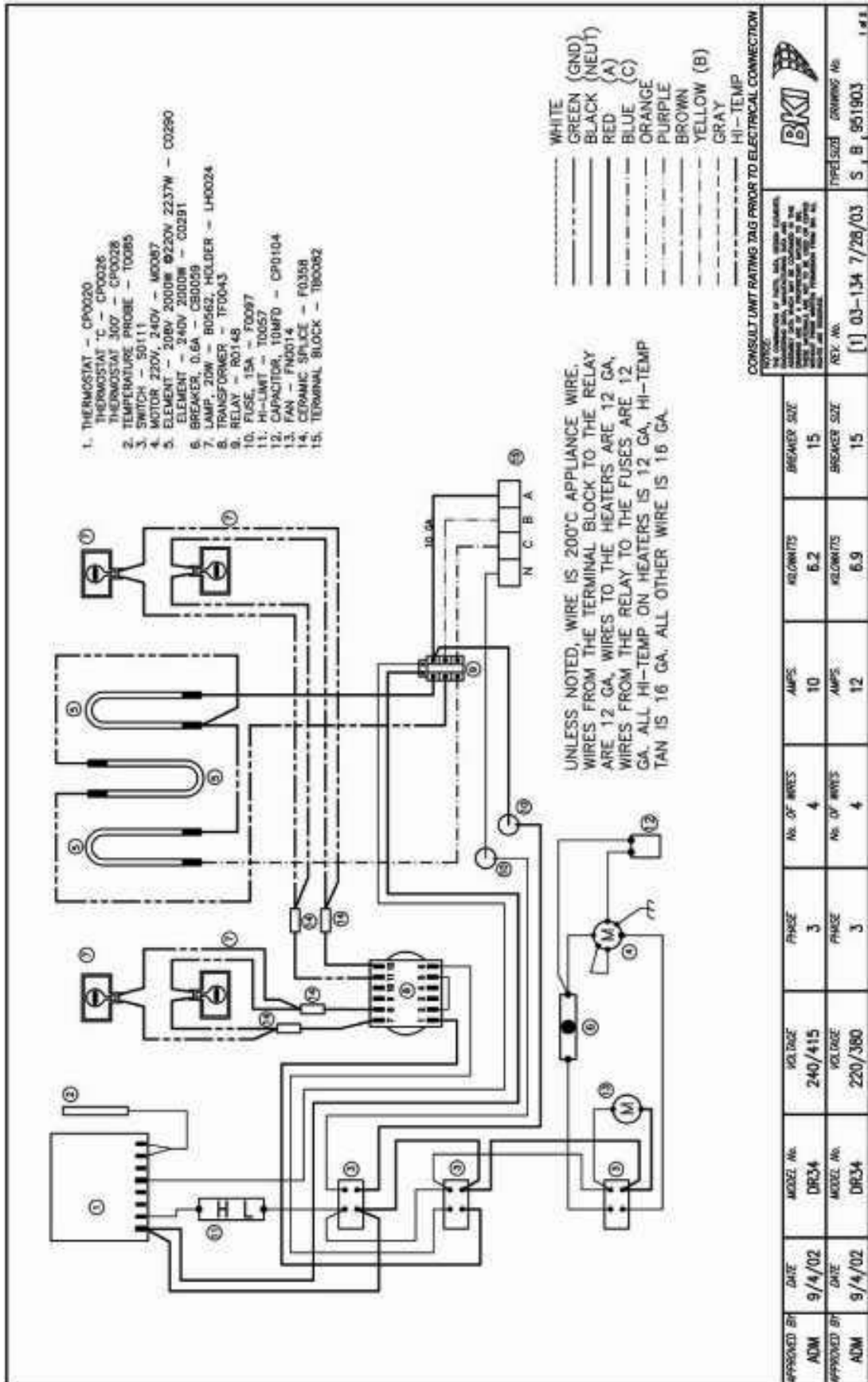


Figure 14. 240/415V, 220/380V, 3 Phase (Sheet 2 of 2)

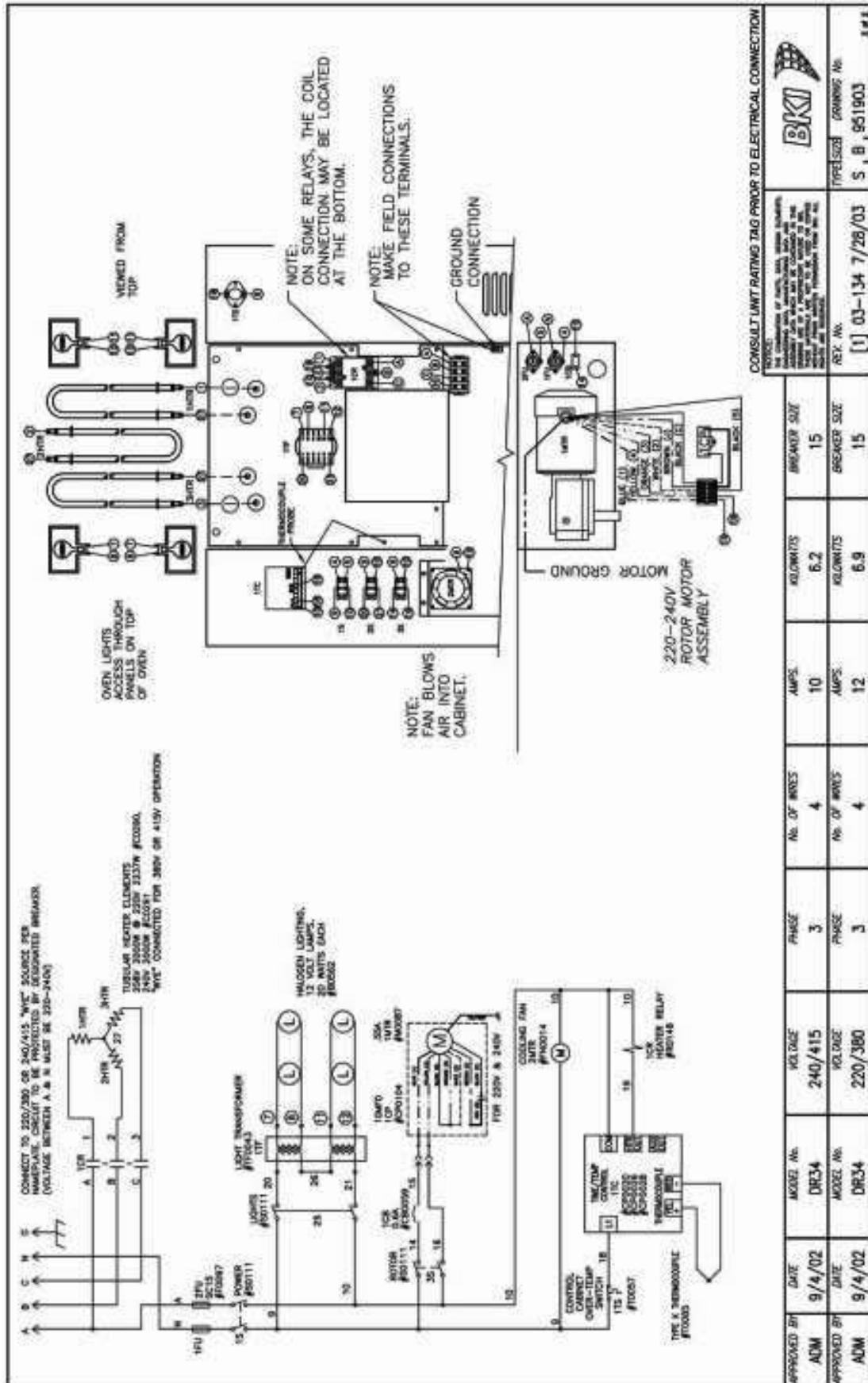


Figure 15. 220V, 240V, 208V, 1 Phase (Sheet 1 of 2)

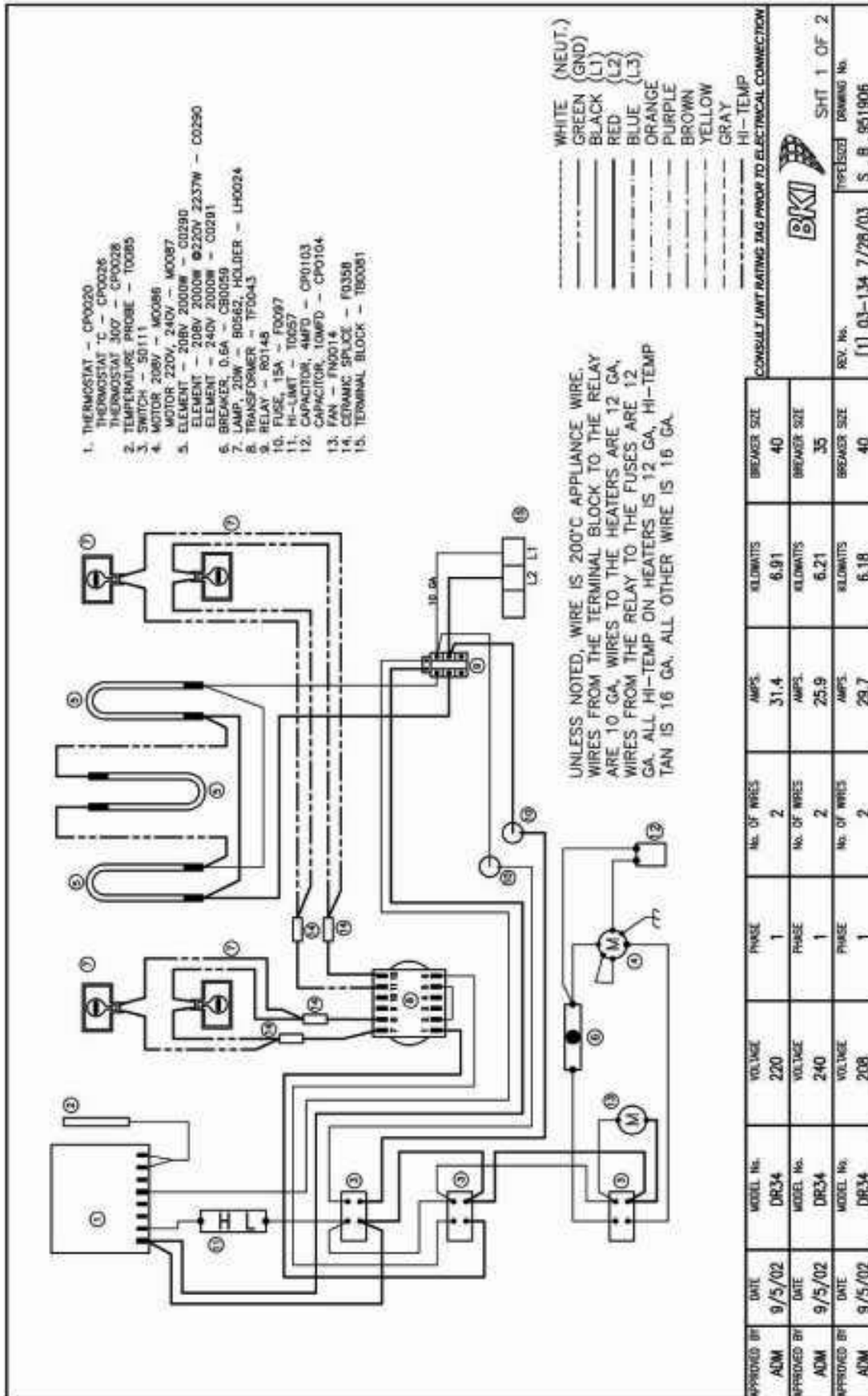


Figure 15. 220V, 240V, 208V, 1 Phase (Sheet 2 of 2)

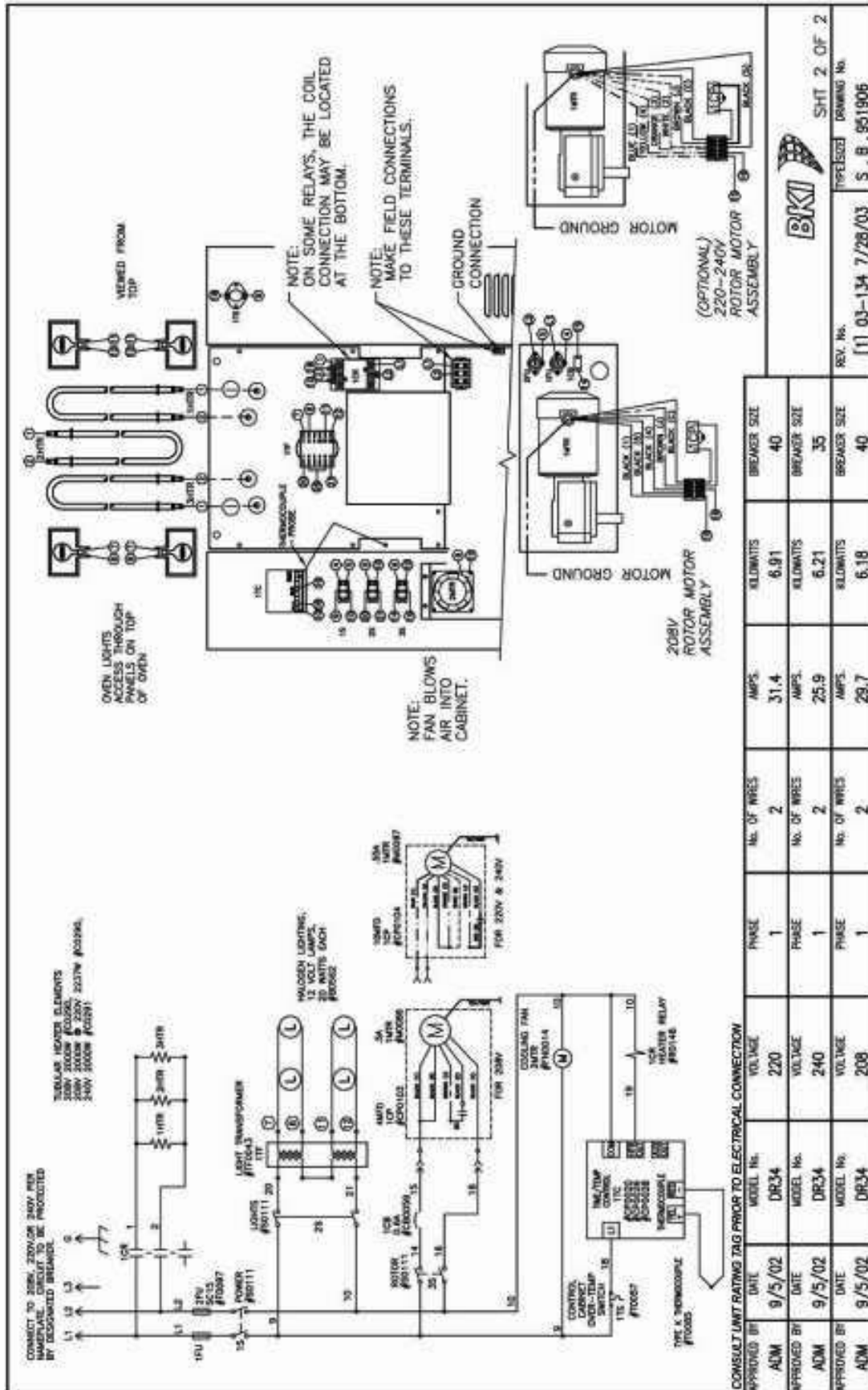


Figure 16. 240/415V, 220/380V, 1 Phase (Sheet 1 of 2)

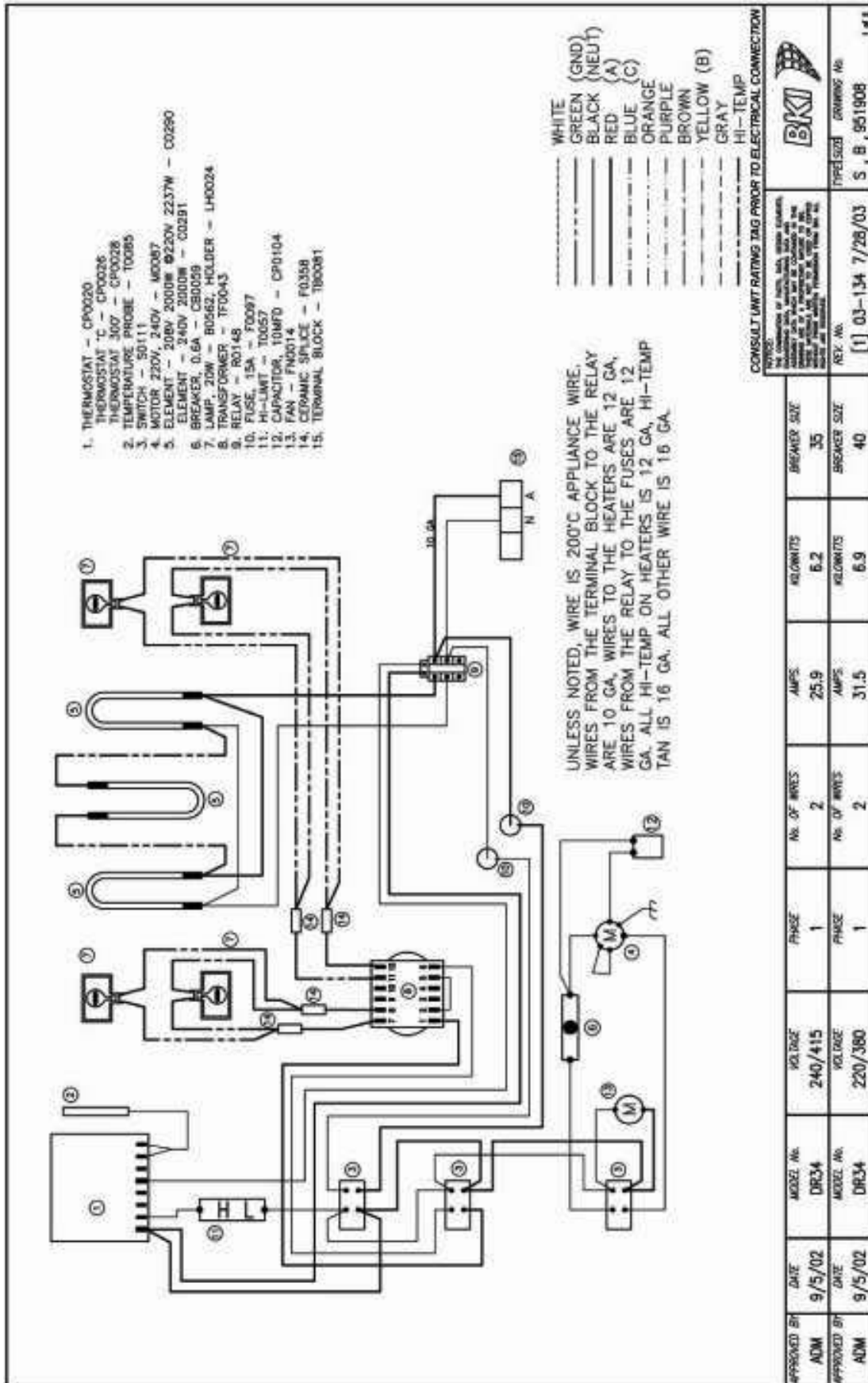
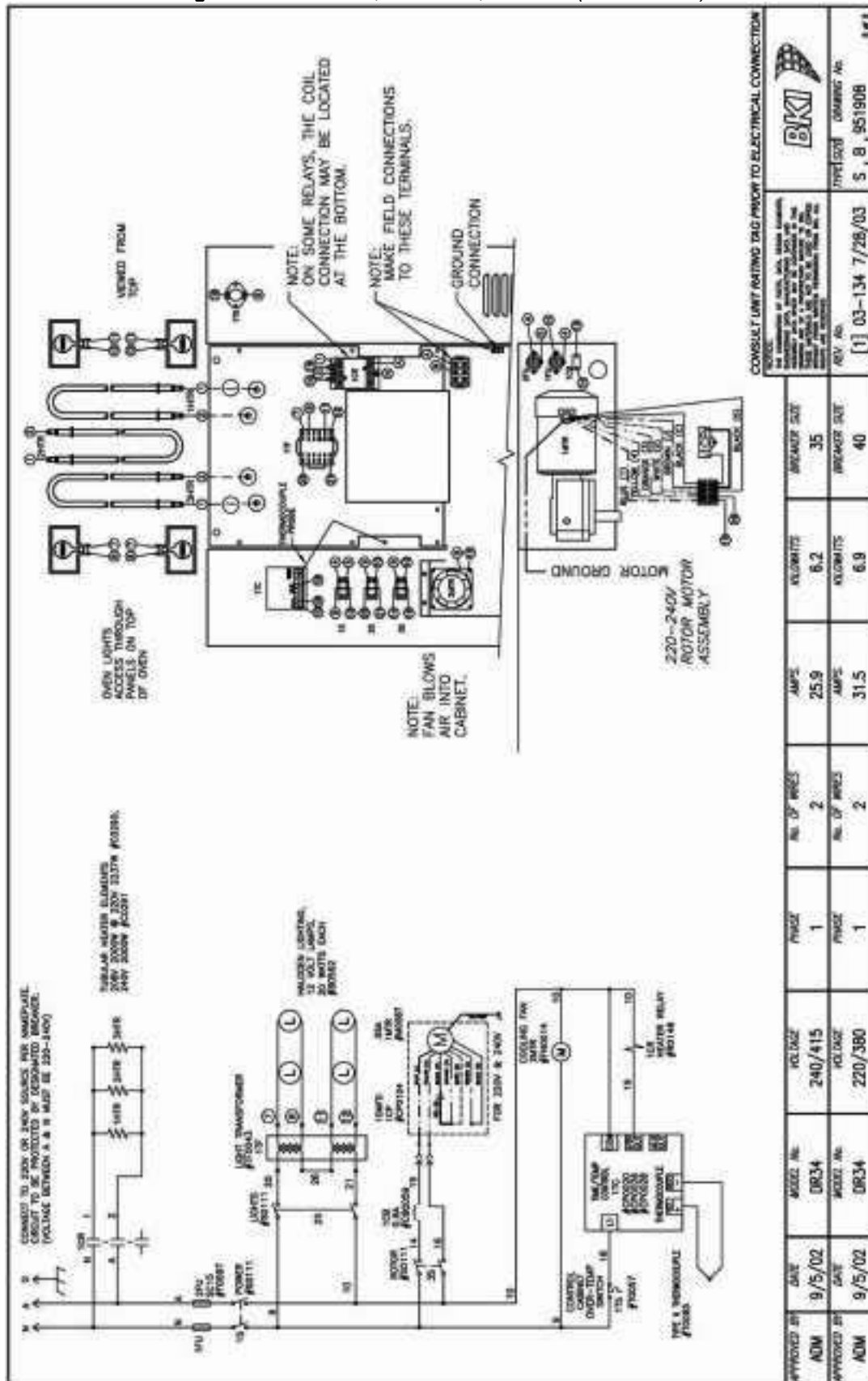


Figure 16. 240/415V, 220/380V, 1 Phase (Sheet 2 of 2)



Note



2812 Grandview Dr., Simpsonville, S.C. 29680, USA
<http://www.bkideas.com>

Made and printed in the U.S.A
LI0194/0407

CS-TM-021.01

Revised 3/26/13

REVISION HISTORY

| <u>REVISION</u> | <u>DATE</u> | <u>REVISED BY</u> | <u>DESCRIPTION</u> |
|------------------------|--------------------|--------------------------|--|
| 01 | 03/26/13 | KW | Initial Release-Supersedes all previous releases |