



REPLACEMENT PARTS CATALOG

TM-43, TM-43D

TOP MOUNT HOT FOOD WELLS

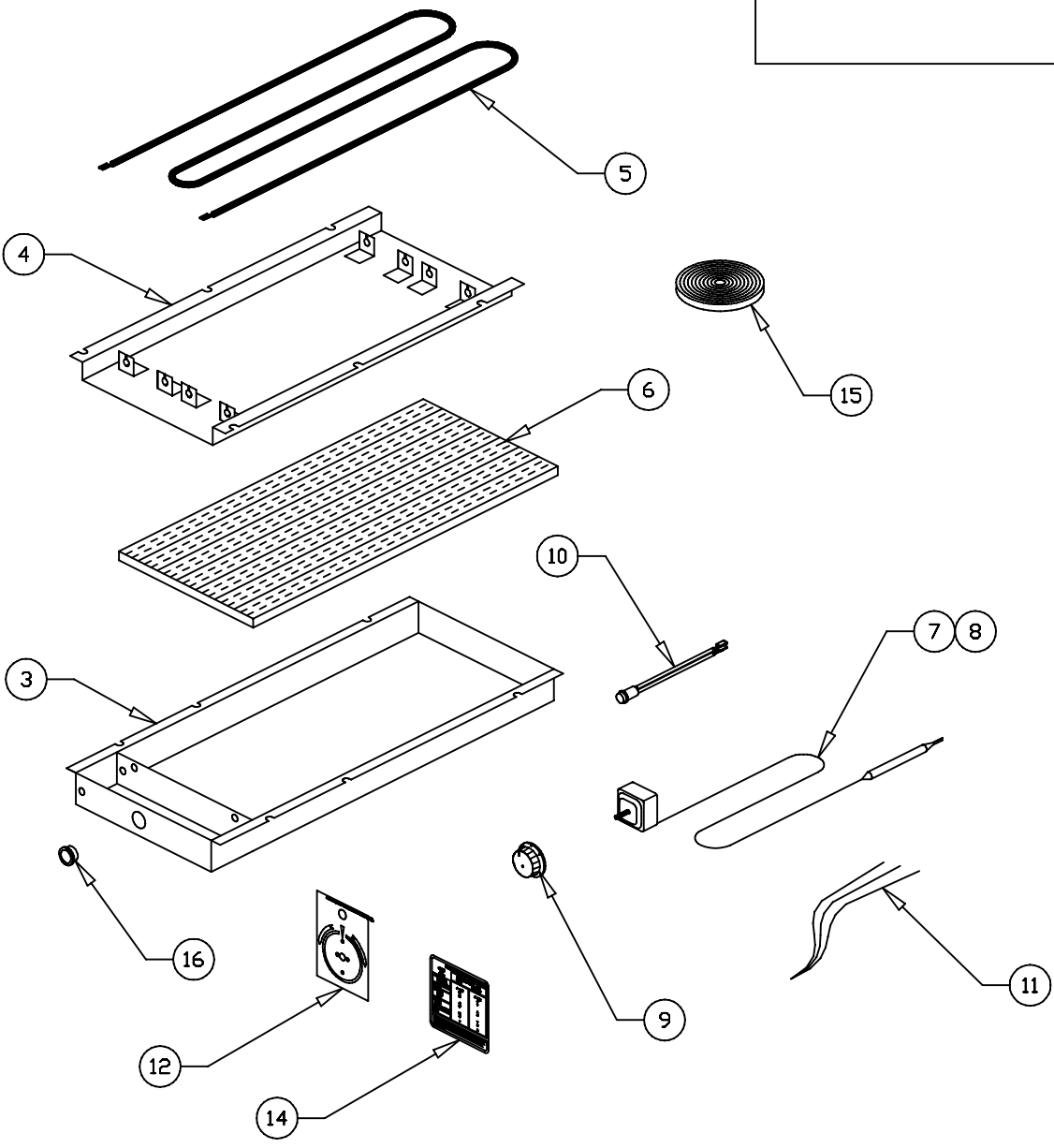
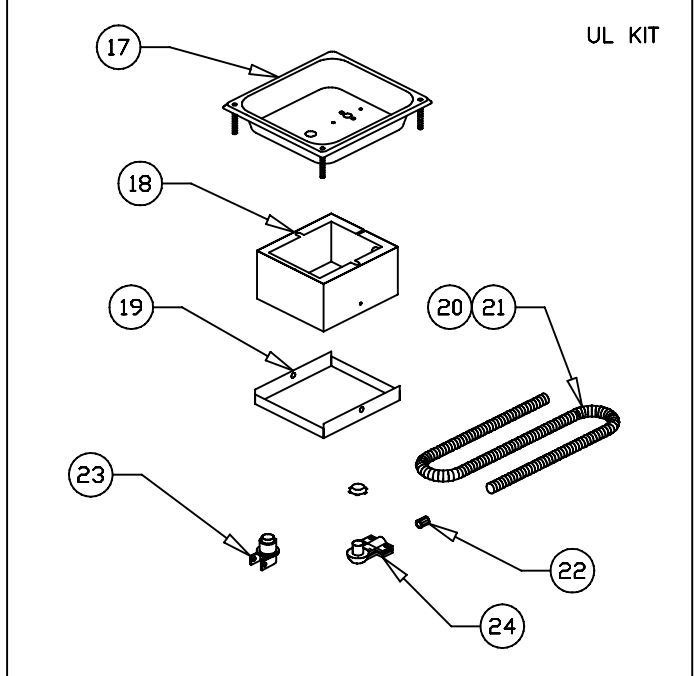
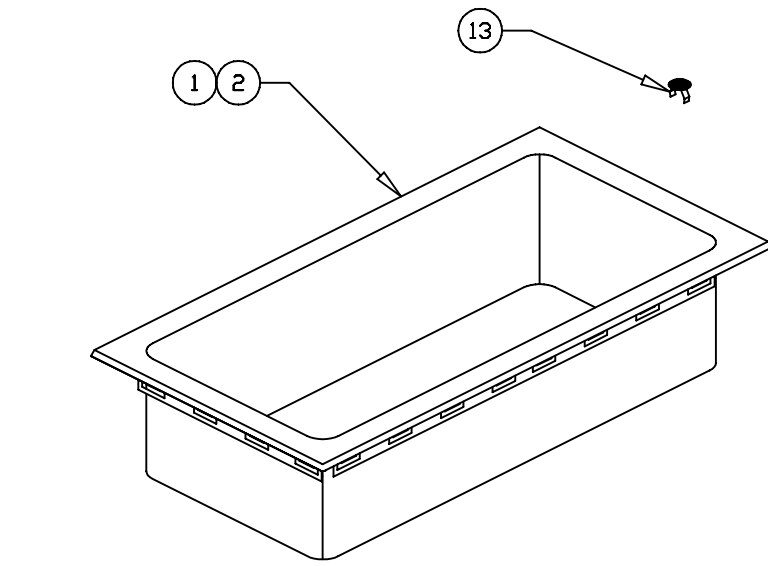
TM-43 55562 - 120V/1800W
TM-43 55216 - 208V/1800W
TM-43D 55371 - 120V/1800W
TM-43D 55217 - 208V/1800W

FOR 72" THERMOSTATS ADD SUFFIX -72 TO MODEL AND STOCK NUMBER
FOR UL KIT ADD SUFFIX -36UL OR -72UL TO MODEL AND STOCK NUMBER

APW / Wyott
FOOD SERVICE EQUIPMENT CO.
DALLAS, TX 75226

**TM-43, TM-43D
TOP MOUNT HOT FOOD WELLS**

ITEM NUMBER	STOCK NUMBER	DESCRIPTION
1	55560	WELL PAN NO DRAIN (TM-43)
2	55385	WELL PAN W/DRAIN (TM-43D)
3	55467	BOTTOM COVER
4	55464	REFLECTOR PAN
5	55466	ELEMENT 120V-1200W
5A	54052	ELEMENT 208V-1800W
5B	55441	ELEMENT 208/240V-1200/1600W
6	55463	BOTTOM INSULATION
7	56527	THERMOSTAT 36" CAPILLARY
8	56540	THERMOSTAT 72" CAPILLARY
9	56528	KNOB, THERMOSTAT
10	56530	INDICATOR LIGHT
11	50005	INSULATED WIRE
12	56529	INCREASE/DECREASE PLATE
13	56655	DRAIN STRAINER
14	56542	DIAL SETTING PLATE
15	55872	PERMA-GUM PACKAGE
16	89184	HOLE BUSHING
17	56370	CONTROL HOUSING
18	56581	CONDUIT BOX
19	56586	CONDUIT BOX COVER
20	55341	FLEX CONDUIT/36" THERMOSTAT
21	55331	FLEX CONDUIT/72" THERMOSTAT
22	55340	ANTI-SHORT BUSHING
23	55339	CONDUIT CONNECTOR
24	55343	CONDUIT CONNECTOR 90 DEGREE
	88961	10-24 GREEN HEX NUT
	89061	10-24 HEX NUT
	89068	5/16 x 3/4 x 1/16 FLAT WASHER
	89071	#10 FLAT WASHER
	89059	#10 EXTERNAL LOCKWASHER
	89073	#8 x 1/2" SHEET METAL SCREW
	89120	JIFFY CLIP



TM-43 WIRING DIAGRAM

AMERICAN PERMANENT WARE, INC.
729 THIRD AVENUE
DALLAS, TX. 75226

