



30 Pine Street • New Rochelle • New York • 10801  
 914 / 576 - 0200  
 914 / 576 - 0605 fax  
 1 - 800 - 431 - 2745 US & Canada  
 www.bakerspride.com web address

**101, 151**  
 Gas Deck Oven

**PARTS LIST**

*Convection-Flo*

"00" SERIES - GAS BAKE & PIZZA OVENS



Model Number:    **101**         **151**   
 Serial Number:    \_\_\_\_\_

**Type of Gas**

Natural         L.P.         Other

# 101, 151

Gas Deck Oven

30 Pine Street • New Rochelle • New York • 10801

914 / 576 - 0200

914 / 576 - 0605 fax

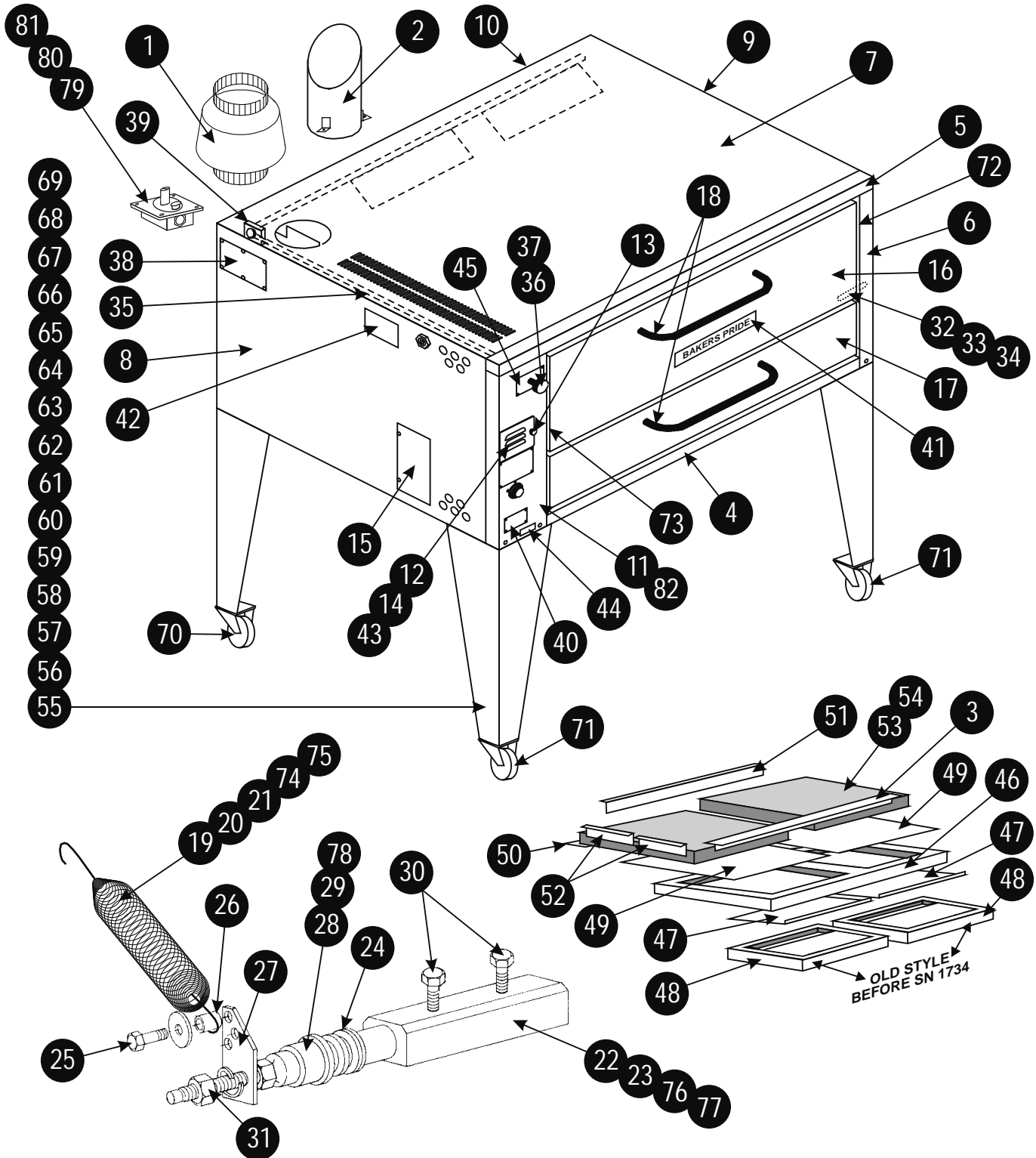
1 - 800 - 431 - 2745 US & Canada

www.bakerspride.com web address



Figure A

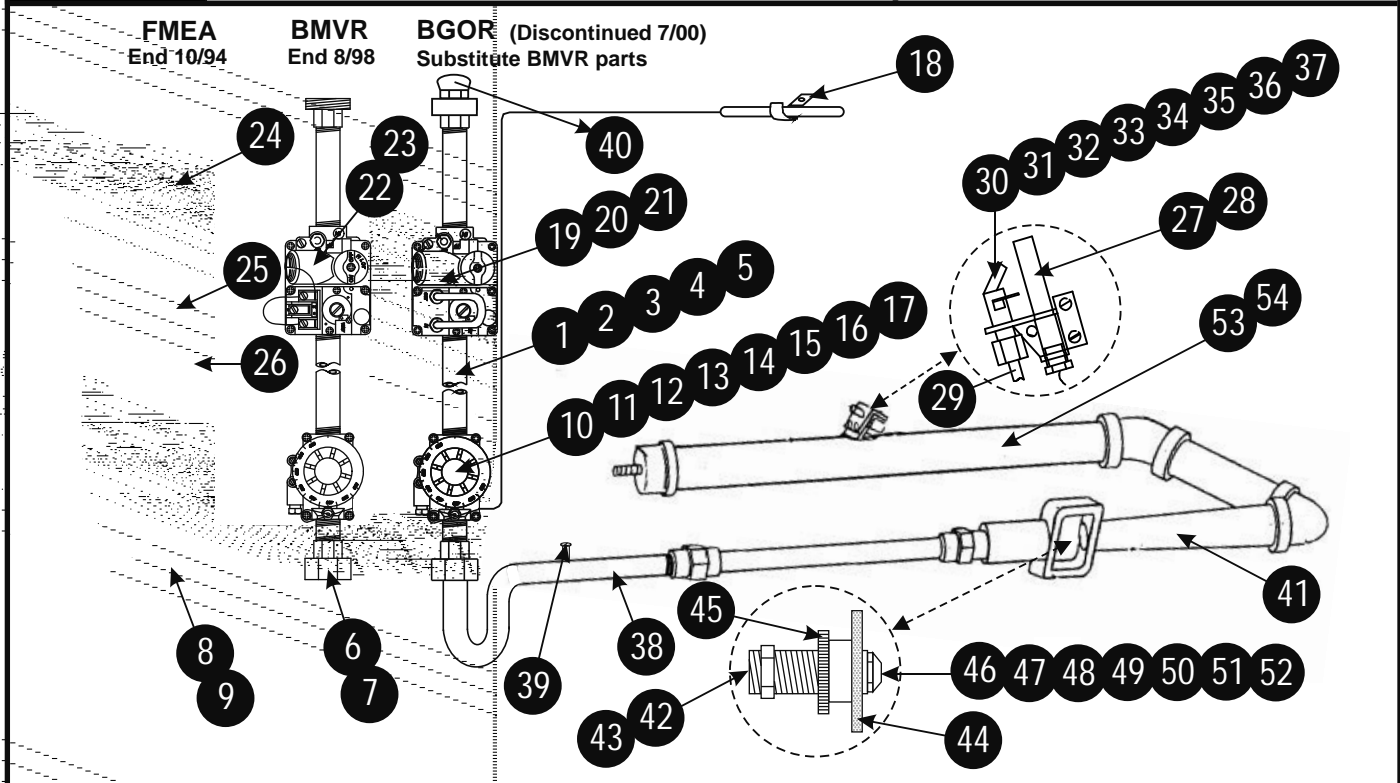
## Exterior / Decks / Doors



Item	Part #	Description	Item	Part #	Description
<b>Exterior / Decks / Door</b>					
1	R3002Y	Flue Diverter, Direct Vent	39	S3011A	Flipper Control Body (Lever)
2	R3115Y	Flue Diverter, Collection Hood	40	U1041A	Plate, Minimum Clearance
3	A1155X	Hearth Trim Assy, S/S	41	U1043X	Bakers Pride Logo, (13 3/4")
4	A1017X	Bottom Apron, S/S	42	U1210A	Label, Warning
5	A1014X	Top Trim, S/S	43	U1230A	Label, Inst. Under Vent Hood
6	A1010X	Front Panel, Right, S/S	44	U1240A	Label, Unit For Use Only With.....
7	A1032U	Outer Top, S/S	45	U1039X	Plate, Push-Pull
8	A1481K	Outer Side, Left, S/S	46	A1210X	Hearth Frame Assy (100)
9	A1482K	Outer Side, Right, S/S	47	A1284X	Flame Diverter, S/S, 17" x 17", 2
10	A1038K	Outer Back Assy, S/S	48	A1258X	Flame Diverter, S/S, 2 (Before SN1734)
11	A1425X	Control Panel Assy, S/S	49	A1233X	Hearth Liner Sheet, 2
12	A4129X	Combination Valve Door Assy, S/S	50	A4140Z	Shim, Hearth (ea)
13	S1153X	Knob	51	K1099K	Wedge, Hearth, 30" (1)
14	S3203X	Latch Assy, Magnetic	52	K1067K	Wedge, Hearth, 11 1/2" (2)
15	K1059K	Access Cover, Left	53	T1106Y	Hearth Baking Deck, 18x24 1/2x1 1/2 (ea)
16	A1003X	Door Assy, Top, 8"	54	T1113X	Hearth Baking Deck, 18x24 1/2x1 1/2 (Set/2)
17	A1009T	Door Assy, Bottom	55	S1019Y	Legs, 6" (Set/4, w/Bolts)
18	S1002X	Handle w/2 Screws, Both Doors (17 1/2")	56	S1019T	Leg, 6" (ea)
19	S3004X	Spring, Bottom Door, 13/16" x 6 3/4"	57	S1018Y	Legs, 12" (Set/4, w/Bolts)
20	S3003X	Spring, Top Door 1 1/8" x 9 3/4"	58	S1018T	Leg, 12" (ea)
21	A1428X	Spring Retro Kit (O/S to N/S Door)	59	S1003Y	Legs, 16" (Set/4, w/Bolts)
22	S3039W	Door Rod Assy, Left Side (3/4" x 8")	60	S1003X	Leg, 16" (ea)
23	S3039X	Door Rod, Left Side (3/4" x 8")	61	S1004Y	Legs, 30" (Set/4, w/Bolts)
24	Q3024X	Spacer Kit, Door Rod	62	S1004X	Leg, 30" (ea)
25	Q2301X	Shoulder Bolt, 3/8-16 x 1"	63	S1039Y	Legs, 38" (Set/4, w/Bolts)
26	S3007X	Teflon Bushing Assy	64	S1039T	Leg, 38" (ea)
27	S3056X	Lever, Door Spring (3 1/2")	65	Q2102A	Bolt, Leg, 1/2-13 x 1 (ea)
28	S3135X	Bushing w/Insert, Door Rod (3/4")	66	S1076X	S/S Leg Wrap, 12" (Set/2)
29	S3133X	Insert Only (Duralon)	67	S1077X	S/S Leg Wrap, 16" (Set/2)
30	Q2303X	Bolt, Door Rod, 3/8-16 (2)	68	S1078X	S/S Leg Wrap, 30" (Set/2)
31	Q2401X	Nut, Door Rod (9/16-18)	69	S1079X	S/S Leg Wrap, 38" (Set/2)
32	S3009X	Pin, Door, Right Side (9/16"-18 x 3")	70	S1022X	Caster, No Lock (ea)
33	S3138X	Sleeve Assy, Door Pin	71	S1023X	Caster, w/Lock (ea)
34	Q3023X	Spacer Kit, Door Pin	72	A4286K	Top Door Seal, R.H.
35	S3042X	Push Pull Rod (100)	73	A4287K	Top Door Seal, L.H.
36	S1005X	Knob, Flipper, 3/8"-16	N/S	M1002X	Automatic Oven Starter
37	S3005X	Spring, Flipper Rod	N/S	T1004X	Steel Baking Deck, w/Screws (Optional)
38	K1117K	Flipper Cover, Outer Side			
<b>Older Models</b>					
74	S3002X	Spring, Top Door, 1 3/8" x 11 5/8"	79	M1184X	Pressure Reg, Nat, 3.5"WC
75	S3003X	Spring, Bottom Door, 1 1/8" x 9 3/4"	80	M1008X	Pressure Reg, Nat, 5"WC
76	S3010W	Door Rod Assy, 9/16" (Before SN902) 101, 151	81	M1009X	Pressure Reg, LP, 10"WC
77	S3010X	Door Rod, 9/16" (Before SN902) 101,151	82	A1018X	Control Panel, S/S, FMEA
78	S3008X	Bushing, Door Rod (9/16")			
<b>Qty</b>		<b>BGOR Conversion Kit (LP to Nat)</b>	<b>Qty</b>		<b>BGOR Conversion Kit (Nat to LP)</b>
1	R3119X	Orifice, Nat, #29 Drill (151)	1	R3133X	Orifice,LP #46 Drill (151)
1	R3057A	Orifice, Nat, #36 Drill (101)	1	R3142X	Orifice, LP, #51 Drill (101)
1	M1297X	BGOR Valve Kit, Nat	1	M1221X	BGOR Valve Kit, LP
1	M1244X	Orifice, Pilot, Nat, 2 CHA-1 (.018")	1	M1245X	Orifice, Pilot, LP, 2 CHA-1 (.010")
<b>Qty</b>		<b>BMVR Conversion Kit (LP to Nat)</b>	<b>Qty</b>		<b>BMVR Conversion Kit (Nat to LP)</b>
1	R3119X	Orifice, Nat, #29 Drill (151)	1	R3133X	Orifice,LP #46 Drill (151)
1	R3057A	Orifice, Nat, #36 Drill (101)	1	R3142X	Orifice, LP, #51 Drill (101)
1	M1260X	BMVR Valve Kit, Nat	1	M1221X	BMVR Valve Kit, LP
1	M1244X	Orifice, Pilot, Nat, 2 CHA-1 (.018")	1	M1245X	Orifice, Pilot, LP, 2 CHA-1 (.010")
<b>Qty</b>		<b>FMEA Conversion Kit (LP to Nat)</b>	<b>Qty</b>		<b>FMEA Conversion Kit (Nat to LP)</b>
1	R3056A	Orifice, Nat, #32 Drill (151)	1	R3133P	Orifice,LP #46 Drill (151)
1	R3011X	Orifice, Nat, #42 Drill (101)	1	R3142X	Orifice, LP, #51 Drill (101)
1	M1008X	Pressure Regulator, 5"WC	1	M1009X	Pressure Reg, LP, 10"WC
1	M1056X	Orifice, Pilot, Nat, (.018")	1	M1057X	Pilot Orifice, LP (.010")

**Figure B**

**Controls / Interior Components**



Item	Part #	Description	Item	Part #	Description
1	* M1395P	Control Assy, Nat (w/BGOR Valve) 151	28	M1265X	Thermopile (End 8/98, SN1297)
2	* M1396P	Control Assy, LP (w/BGOR Valve) 151	29	R3036X	Pilot Tubing, S/S, 3/16" x 45"
3	* M1397P	Control Assy, Nat (w/BGOR Valve) 101	30	M1220X	Pilot Burner, Natural, w/Ftgs, 2 CHA-1
4	* M1398P	Control Assy, LP (w/BGOR Valve) 101	31	M1222X	Pilot Burner, LP, w/Fittings, 2 CHA-1
5	M1428P	Control Assy, CE, Nat (w/BGOR Valve) 151	32	M1244X	Orifice, Pilot, Nat, 2 CHA-1 (.018")
6	M1249X	Control Assy, Nat (End 8/98, SN2174) BMVR 151	33	M1245X	Orifice, Pilot, LP, 2 CHA-1 (.010")
7	M1250X	Control Assy, LP (End 8/98, SN2174) BMVR 101	34	M1054X	Pilot Burner, Nat, w/Fittings, #11E (FMEA)
8	M1065X	Control Assy, Nat or LP (w/FMEA Valve) 151	35	M1055X	Pilot Burner, LP, w/Fittings, #11E (FMEA)
9	M1117X	Control Assy, Nat or LP (w/FMEA Valve) 101	36	M1056X	Orifice, Pilot Nat (.018") FMEA
10	M1005X	Thermostat, Gas, FDTH (650F)	37	M1057X	Orifice, Pilot, LP (.010") FMEA
11	S1056X	Knob, Thermostat, 650F, 151	38	R1001T	Manifold
12	S1163X	Knob, Thermostat, CE, 340C, 151	39	N3068P	Pressure Tap Nozzle Assy
13	M1006X	Thermostat, FDT0, 550F (101-401)	40	R1060P	Gas Inlet Assy
14	S1057X	Knob, Thermostat, 550F, 101	41	L5001X	Inspirator #3
15	S1164X	Knob, Thermostat, CE, 300C, 101	42	R3007X	Spud Assy #3
16	M1390X	Thermostat, High Heat, Elec (Opt. 151)	43	R3004A	Spud Holder #3
17	S1207X	Knob, High Heat Thermostat, (1-10) 151	44	R3005A	Adjusting Disc, #3
18	Q4021X	Capillary Clip	45	R3006A	Locking Disc, #3
19	* R3152A	Valve, Nat, 7000-BGOR	46	R3133X	Orifice, LP, #46 Drill (151) All Valves
20	* R3154A	Valve, LP, 7000-BGOR	47	R3142X	Orifice, LP, #51 Drill (101) All Valves
21	* R3156A	Valve, Nat, CE, 7000-BGOR	48	R3119A	Orifice, Nat, #29 Drill (151) BGOR/BMVR
22	R3104X	Valve, BMVR, Nat (End 8/98, SN1297)	49	R3057A	Orifice, Nat, #36 Drill (101) BGOR/BMVR
23	R3124X	Valve, BMVR, LP (End 8/98, SN1297)	50	R3056X	Orifice, Nat. #32 Drill (151) FMEA
24	M1004X	Valve, FMEA w/T-Couple (Before 10/94)	51	R3011X	Orifice, Nat. #42 Drill (101) FMEA
25	R3001X	Gas Valve, 1/2", w/Knob	52	R3008X	Orifice, Blank - Not drilled (All)
26	S1001T	Knob, Gas Valve, 1/2"	53	L5005W	Burner w/Cap & Elbow
27	M1296X	Thermocouple, T46 (72")	54	L5005X	Burner, Complete (To Union)

\* **Discontinued 7/00.** Substitute BMVR parts listed above. ALWAYS INCLUDE #M1265X Thermopile.