



30 Pine Street • New Rochelle • New York • 10801

914 / 576 - 0200

914 / 576 - 0605 fax

1 - 800 - 431 - 2745 US & Canada

www.bakerspride.com web address

XXE-4, 6, 8, 10, 12

Gas Char Broiler

PARTS LIST

Dante
SERIES



Model Number

XXE-4

XXE-6

XXE-8

XXE-10

XXE-12

Serial Number

Type of Gas

Natural

L.P.

Other

XXE-4, 6, 8, 10, 12

Gas Char Broiler

30 Pine Street • New Rochelle • New York • 10801

914 / 576 - 0200

914 / 576 - 0605 fax

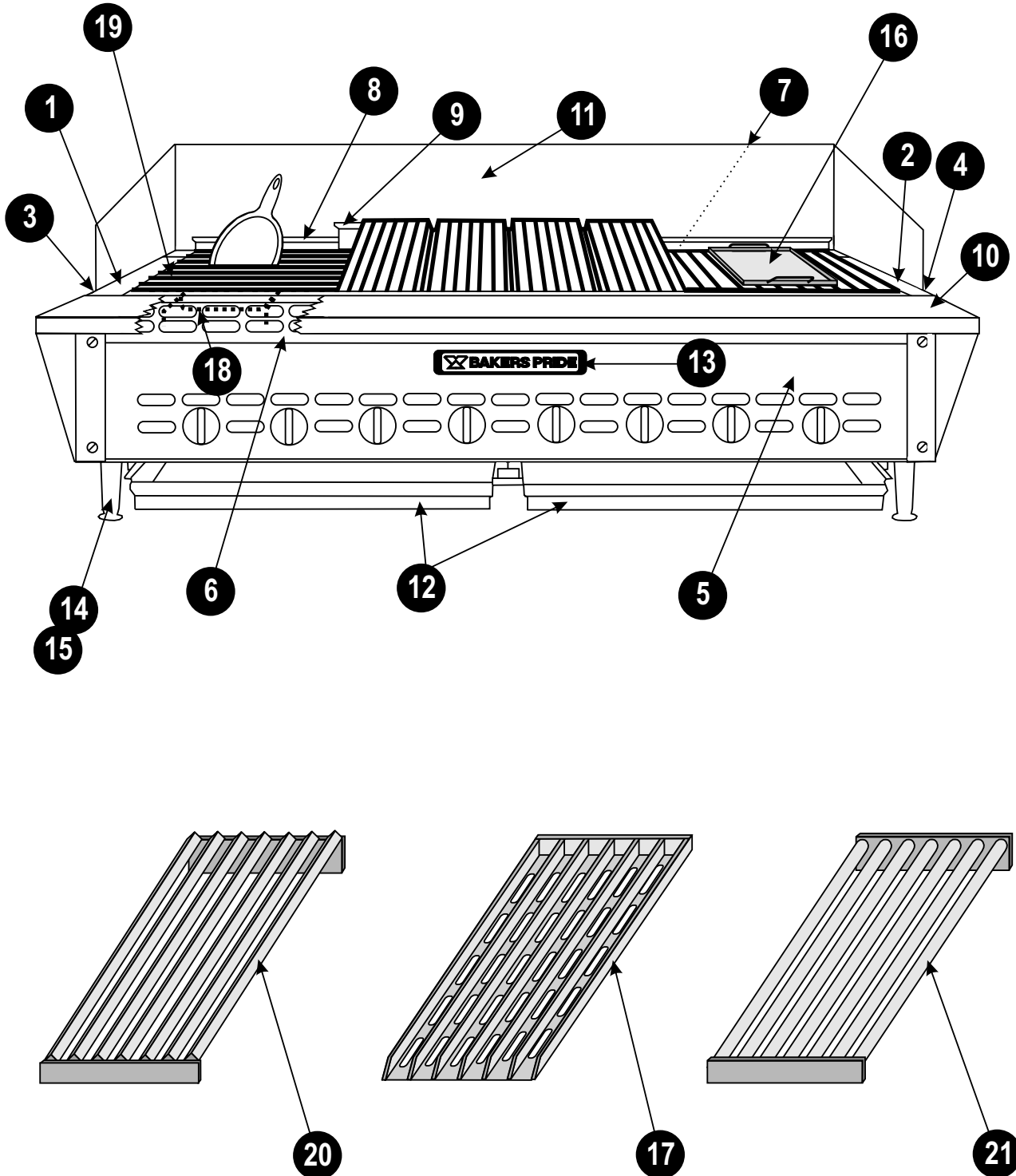
1 - 800 - 431 - 2745 US & Canada

www.bakerspride.com web address



Figure A

Exterior / Grates





30 Pine Street • New Rochelle • New York • 10801

914 / 576 - 0200

914 / 576 - 0605

1 - 800 - 431 - 2745

www.bakerspride.com

fax

US & Canada

web address

XXE-4, 6, 8, 10, 12

Gas Char Broiler

Exterior / Grates

| Item | Part # | Description | Item | Part # | Description |
|------|--------|-----------------------------------|------|--------|--|
| 1 | G1011K | Top Side Trim, SS, Left | | G1058K | 3rd Level Bracket (XX-10) Optional |
| 2 | G1012K | Top Side Trim, SS, Right | | G1056K | 3rd Level Bracket (XX-12) Optional, 2 used |
| 3 | G1458K | Outer Side, Left (XXE) | 10 | | Work Deck, S/S (XXE-4) Optional |
| 4 | G1459K | Outer Side, Right (XXE) | | | Work Deck, S/S (XXE-6) Optional |
| 5 | G1454K | Control Panel (XXE-4) | | | Work Deck, S/S (XXE-8) Optional |
| | G1455K | Control Panel (XXE-6) | | | Work Deck, S/S (XXE-10) Optional |
| | G1456K | Control Panel (XXE-8) | | | Work Deck, S/S (XXE-12) Optional |
| | G1457K | Control Panel (XXE-10) | 11 | G1081X | Splash Guard, S/S (XX-4) Optional |
| | G1412K | Control Panel (XXE-12) | | G1082X | Splash Guard, S/S (XX-6) Optional |
| 6 | G1474K | Top Front Trim (XXE-4) | | G1083X | Splash Guard, S/S (XX-8) Optional |
| | G1475K | Top Front Trim (XXE-6) | | G1084X | Splash Guard, S/S (XX-10) Optional |
| | G1476K | Top Front Trim (XXE-8) | | G1237U | Splash Guard, S/S (XX-12) Optional |
| | G1477K | Top Front Trim (XXE-10) | 12 | T3033K | Grease Pan (XX-4) 20 3/8", 1 used |
| | G1413K | Top Front Trim (XXE-12) | | T3034K | Grease Pan (XX-6 or 10) 30 7/8", 1 used |
| 7 | G1461K | Outer Back (XXE-4) | | T3035K | Grease Pan (XX-8) 19 5/8", 2 used |
| | G1462K | Outer Back (XXE-6) | | T1036T | Grease Pan (XX-10) 19 1/4", 1 used |
| | G1463K | Outer Back (XXE-8) | | T1036T | Grease Pan (XX-12) 19 1/4", 3 used |
| | G1464K | Outer Back (XXE-10) | 13 | U1043A | Name Plate, 13 1/4", Bakers Pride |
| | G1414K | Outer Back (XXE-12) | 14 | S1394A | Leg, 4" Adjustable (Each) |
| 8 | G1021U | 1st/2nd Level Assy (XX-4) | 15 | S1394X | Leg, 4" Adjustable (Set/4) |
| | G1022U | 1st/2nd Level Assy (XX-6) | 16 | T1020T | Griddle Plate (Optional) 16" |
| | G1023U | 1st/2nd Level Assy (XX-8) | 17 | T1006A | Grate, Top, Flat Cast Iron (5 1/4") |
| | G1024U | 1st/2nd Level Assy (XX-10) | 18 | T1183T | Grate, Fajita Bottom |
| | G1247U | 1st/2nd Level Assy (XX-12) | 19 | T1185S | Grate, Fajita Top |
| 9 | G1055K | 3rd Level Bracket (XX-4) Optional | 20 | T1172T | Grate, Meat 10 1/2" |
| | G1056K | 3rd Level Bracket (XX-6) Optional | 21 | T1166T | Grate, Fish 10 1/2" |
| | G1057K | 3rd Level Bracket (XX-8) Optional | | | |

XXE-4, 6, 8, 10, 12

Gas Char Broiler

30 Pine Street • New Rochelle • New York • 10801

914 / 576 - 0200

914 / 576 - 0605 fax

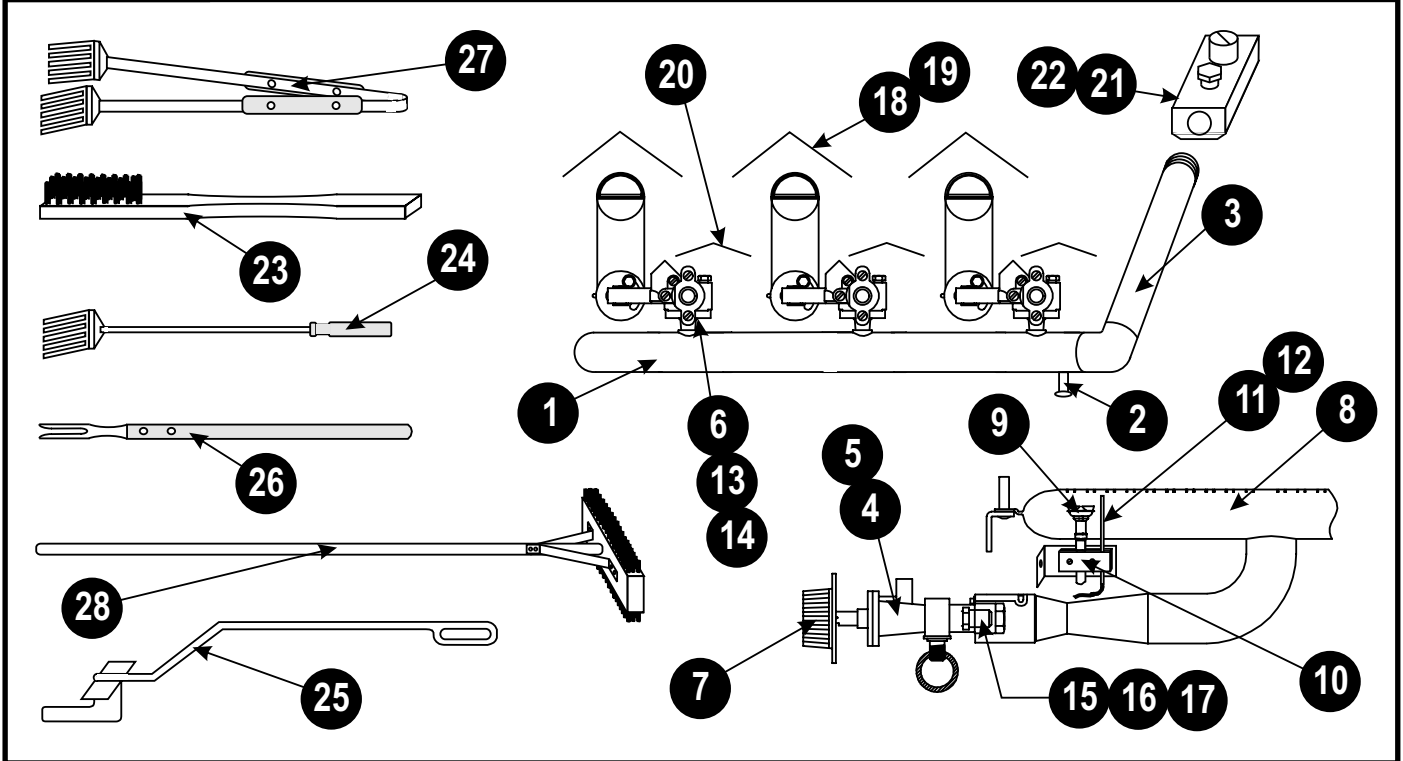
1 - 800 - 431 - 2745 US & Canada

www.bakerspride.com web address



Figure C

Burner / Accessories



| Item | Part # | Description | Item | Part # | Description |
|------|--------|---|------|--------|--|
| 1 | R1085P | Manifold Assy (XXE-4) | 14 | N1010A | Ferrule, 3/16" |
| | R1086P | Manifold Assy (XXE-6) | 15 | R3147P | Orifice Hood #41, Nat (XXE) |
| | R1087P | Manifold Assy (XXE-8) | 16 | R3172P | Orifice Hood #53, LP (XXE) |
| | R1088P | Manifold Assy (XXE-10) | 17 | R3023A | Orifice Hood, Blank |
| | R1186A | Manifold Assy (XXE-12) | 18 | T1155T | Radiant, S/S (23") Standard |
| 2 | N3068P | Pressure Tap Nozzle Assy | 19 | T1007A | Radiant, Cast Iron (23") Optional |
| 3 | N5217P | Inlet Gas Pipe (XX) | 20 | G1470K | Heat Shield (XXE-4 uses 5) (XXE-6 uses 8) |
| 4 | R3128A | Valve, Multi Gas Cock | | | (XXE-8 uses 9) (XXE-10 uses 11) (XXE-12 uses 13) |
| 5 | M1053A | Valve, Junker (Old Style) | 21 | M1009A | Pressure Regulator, 3/4", 10" WC |
| 6 | R3181P | Pilot Tubing, 5" (XXE) | 22 | M1184A | Pressure Regulator, 3/4", 3.5" WC |
| 7 | S1301A | Knob, CE Broiler | 23 | T5017A | Wire Brush, Chef-Aide, 18" |
| 8 | L5078A | Burner, Center Feed (XXE) | 24 | T5018U | Spatula, Chef-Aide, 20", Single |
| 9 | M1359A | Pilot Burner | 25 | T5041T | Grate Lifter, 3' x 20" |
| 10 | G1472K | Pilot Burner Mounting Bracket (XXE) | 26 | T5016A | Meat Fork |
| 11 | M1358A | Thermocouple, 10" | 27 | T5019V | Steak Turner |
| 12 | M1267X | Thermocouple (used w/O.S. Junker Valve) | 28 | T5104V | Twin Head Grate Brush |
| 13 | N1007A | Compression Nut, 3/16", Female | | | |

Conversion Kit (LP to Nat)

Conversion Kit (Nat to LP)

| | | | |
|--------|---|--------|--|
| R3147P | Hood Orifice # 41, Nat. (XXE-4 uses 4) (XXE-6 uses 6) (XXE-8 uses 8) (XXE-10 uses 10) (XXE-12 uses 12) | R3172P | Hood Orifice #53, L.P. (XXE-4 uses 4) (XXE-6 uses 6) (XXE-8 uses 8) (XXE-10 uses 10) (XXE-12 uses 12) |
| M1184A | Pressure Regulator, 3/4", 3.5" WC (Qty. 1) | M1009A | Pressure Regulator, 3/4", 10" WC (Qty. 1) |