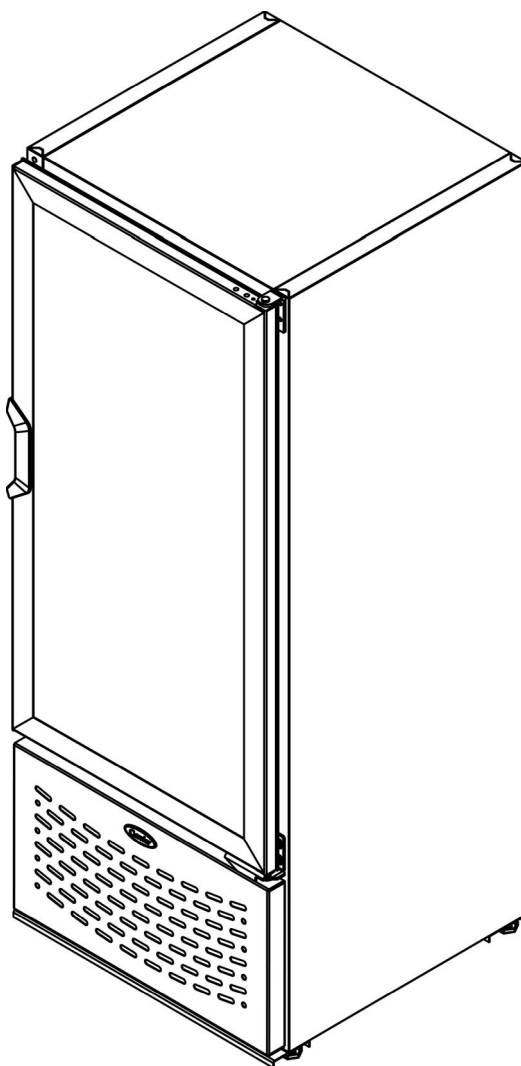

CARRIER MIRACOOTM
SERVICE PARTS LIST
MC260 AND MC300 ALL MODELS



260L/300L

SALES OFFICE: P.O. BOX 5932 SPARTANBURG, S.C. 29304-5932
PHONE: (864) 582-8111 TOLL FREE 1-800-845-9800
TECHNICAL SERVICE: 1-800-684-1199, PARTS ORDER FAX: 1-800-262-9381

Carrier

CONTENTS

INTRODUCTION	i
UNIT VIEW	1
CARTRIDGE COMPLETE	2
CARTRIDGE SECTION	ii
CARTRIDGE CONDENSER COMPONENTS	3
CARTRIDGE COMPRESSOR COMPONENTS	4
CARTRIDGE COMPRESSOR MOUNTING COMPONENTS	5
CARTRIDGE CONDENSER MOTOR COMPONENTS	6
CARTRIDGE EVAPORATOR COMPONENTS	7
CARTRIDGE ELECTRICAL COMPONENTS	8
CARTRIDGE ACCESS PLATE COMPONENTS	9
CABINET SECTION	iii
CABINET COMPONENTS	10
CABINET ELECTRICAL COMPONENTS	11
CABINET DOOR COMPONENTS	12
CABINET DOOR ASSEMBLY	13
CABINET SHELF COMPONENTS	14
CABINET LIFTING COMPONENTS	15
CABINET LEVELLING COMPONENTS	16
CABINET LABEL COMPONENTS	17
CABINET LIGHT COMPONENTS	18
CABINET LIGHT ASSEMBLY	19
UNIT OWNERS MANUAL	iv



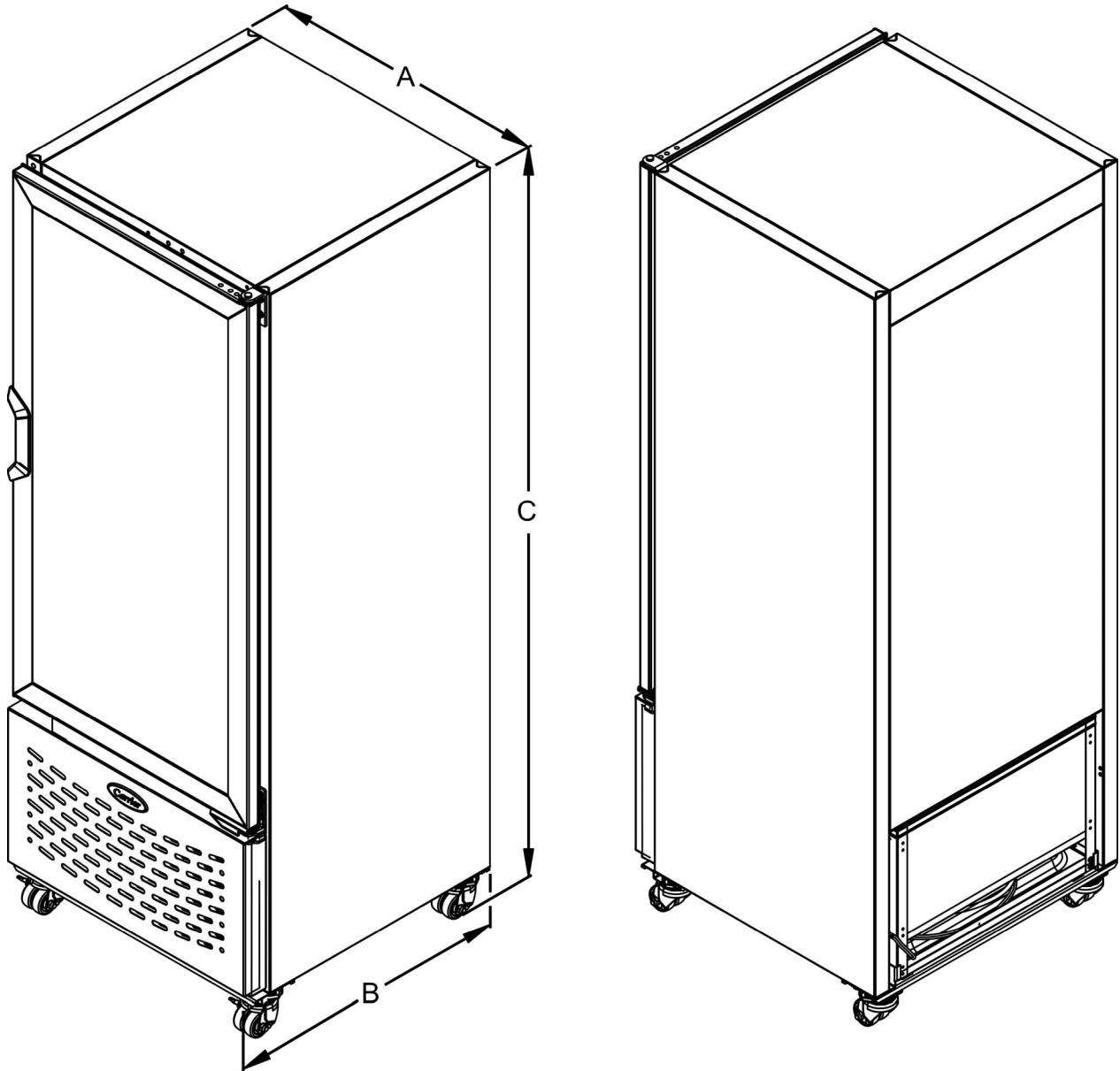
INTRODUCTION

MODEL	REFRIGERANT	CUSTOMER	SIZE
MC260-1-B	R-134a	STANDARD	260
MC260-1-C	R-134a	COKE	260
MC260-1-P	R-134a	PEPSI	260
MC300-1-B	R-134a	STANDARD	300
MC300-1-C	R-134a	COKE	300
MC300-1-P	R-134a	PEPSI	300

ORDERING INSTRUCTIONS

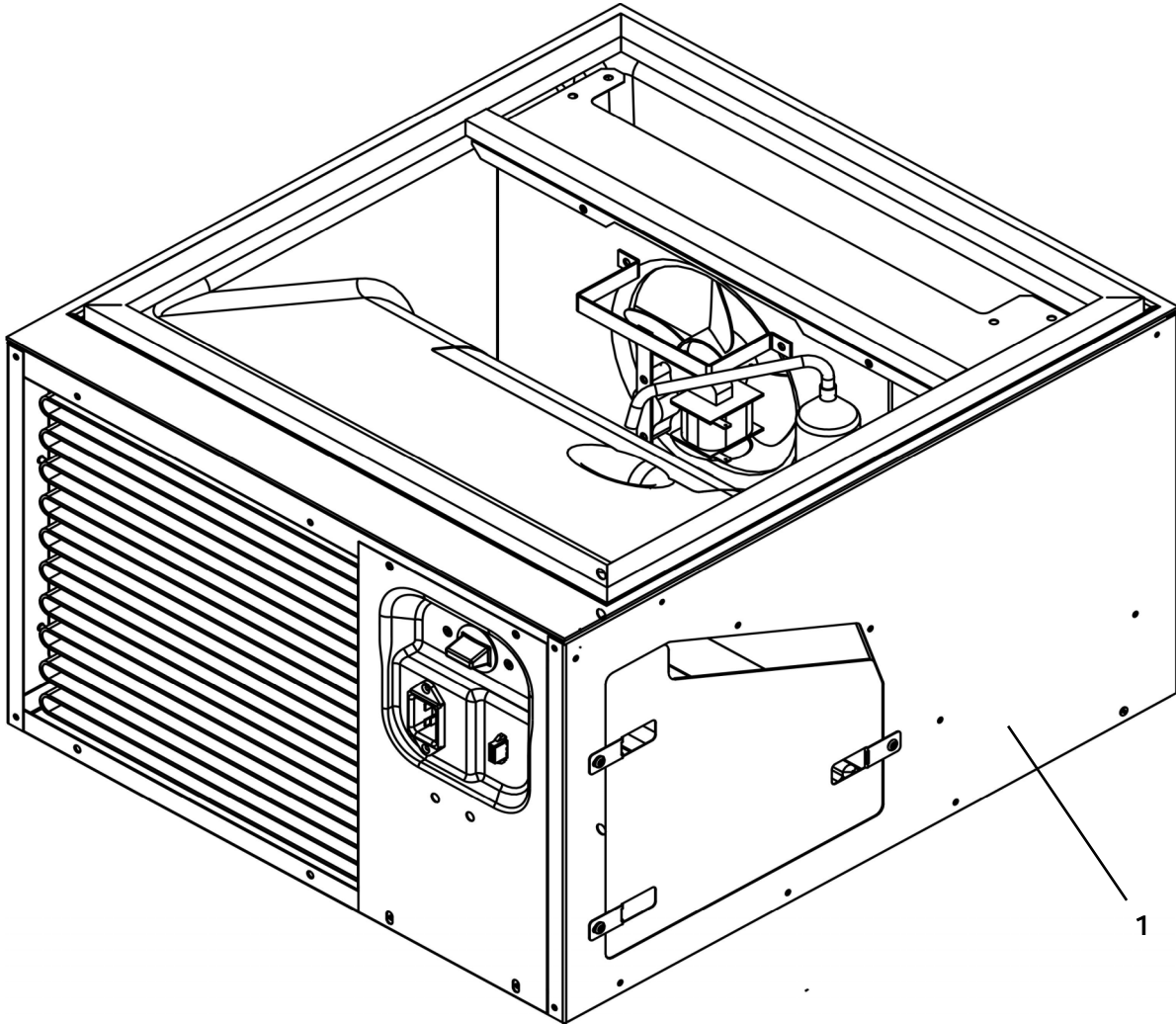
SALES OFFICE: P.O. BOX 5932 SPARTANBURG, S.C. 29304-5932
PHONE: (864) 582-8111 TOLL FREE 1-800-845-9800
TECHNICAL SERVICE: 1-800-684-1199, PARTS ORDER FAX: 1-800-262-9381



UNIT VIEW**SECTION - 1**

MODEL	A mm [Inch]	B mm [Inch]	C mm [Inch]
260L	623.00 [24.53]	565.00 [22.24]	1353.00 [53.27]
300L	623.00 [24.53]	565.00 [22.24]	1556.00 [61.26]

Carrier

CARTRIDGE COMPLETE**SECTION - 2**

ITEM #	Part Number	Description	QTY.
1	79BC690001-02	CARTRIDGE 260 / 300L	1



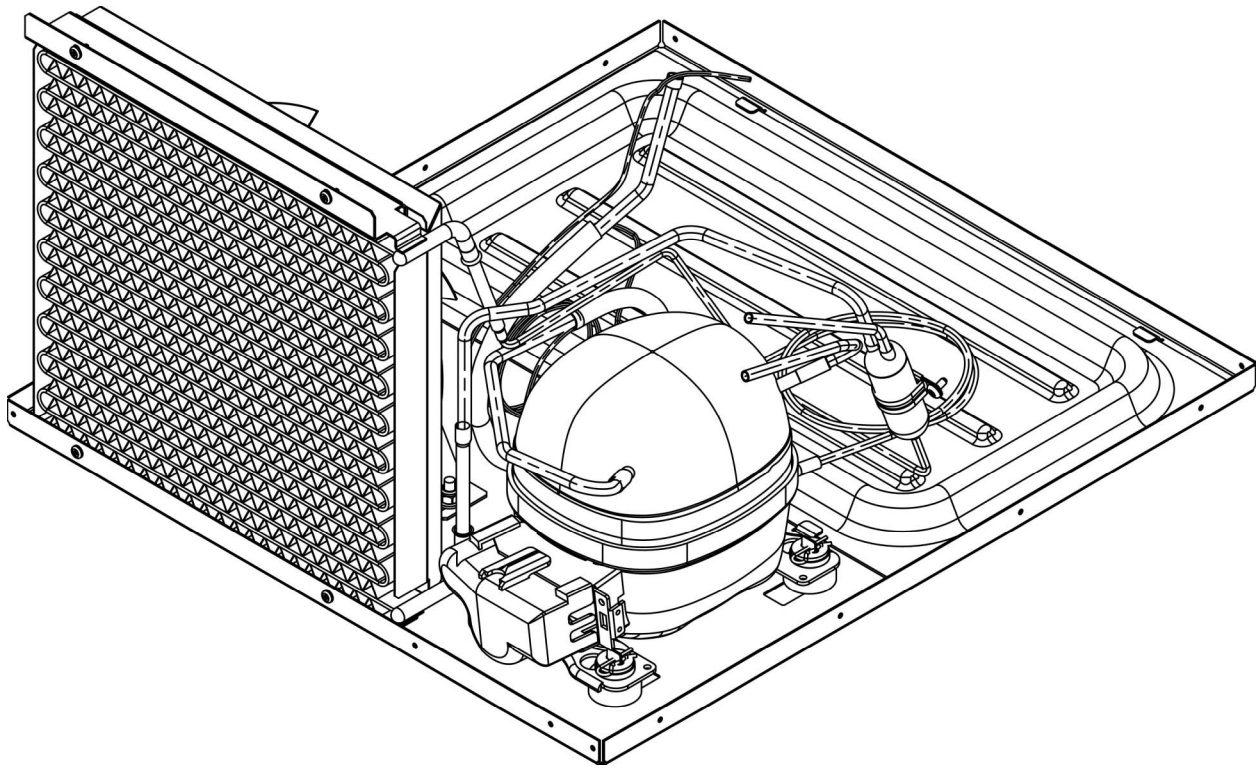
CARTRIDGE SECTION

SECTION - ii



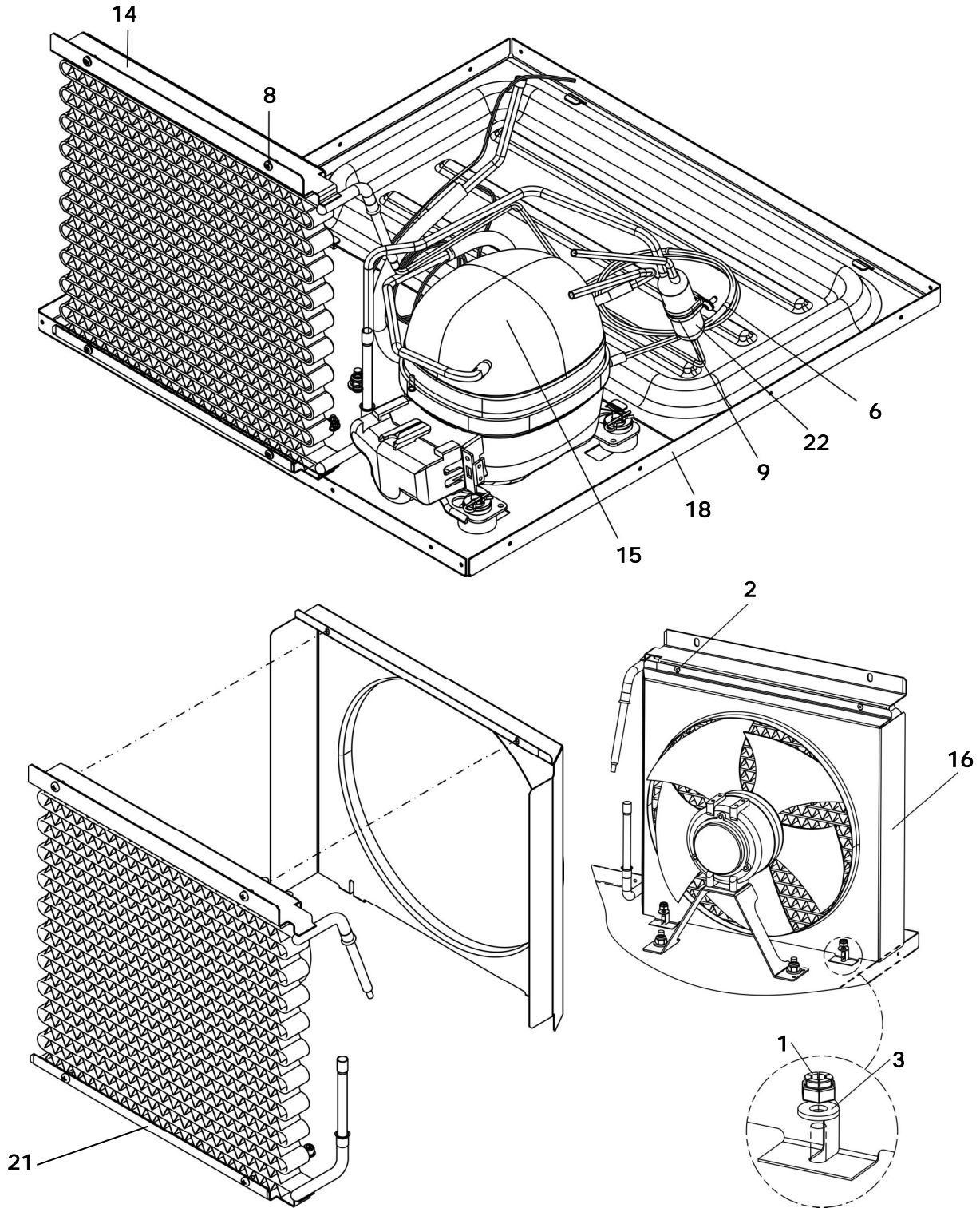
CARTRIDGE CONDENSER COMPONENTS

SECTION - 3



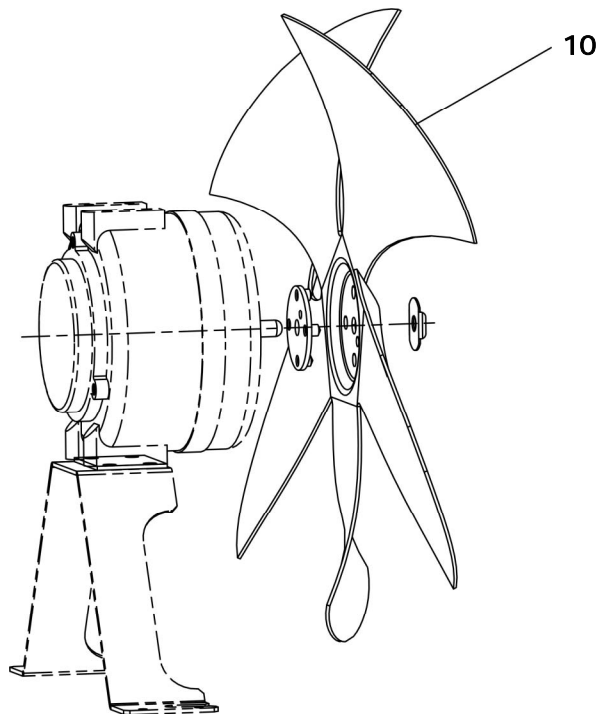
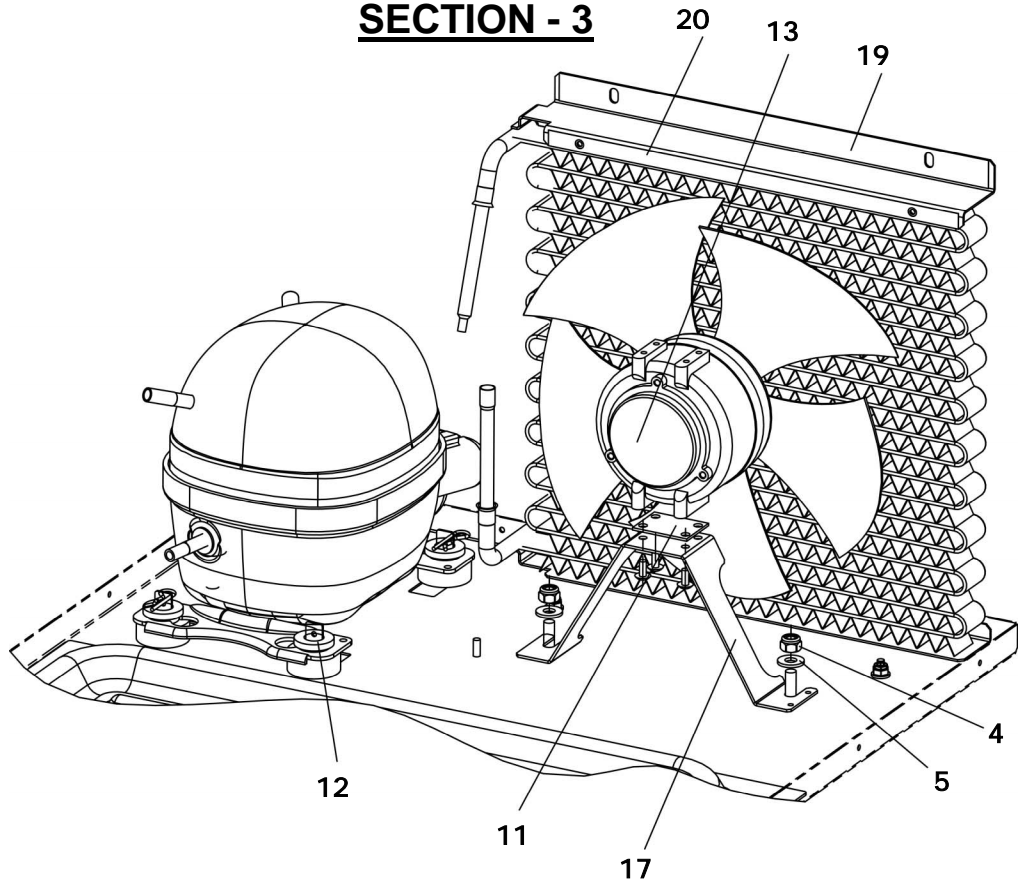
CARTRIDGE - CONDENSER COMPONENTS 260/300L

SECTION - 3



CARTRIDGE - CONDENSER COMPONENTS 260/300L

SECTION - 3



CARTRIDGE - CONDENSER COMPONENTS 260/300L

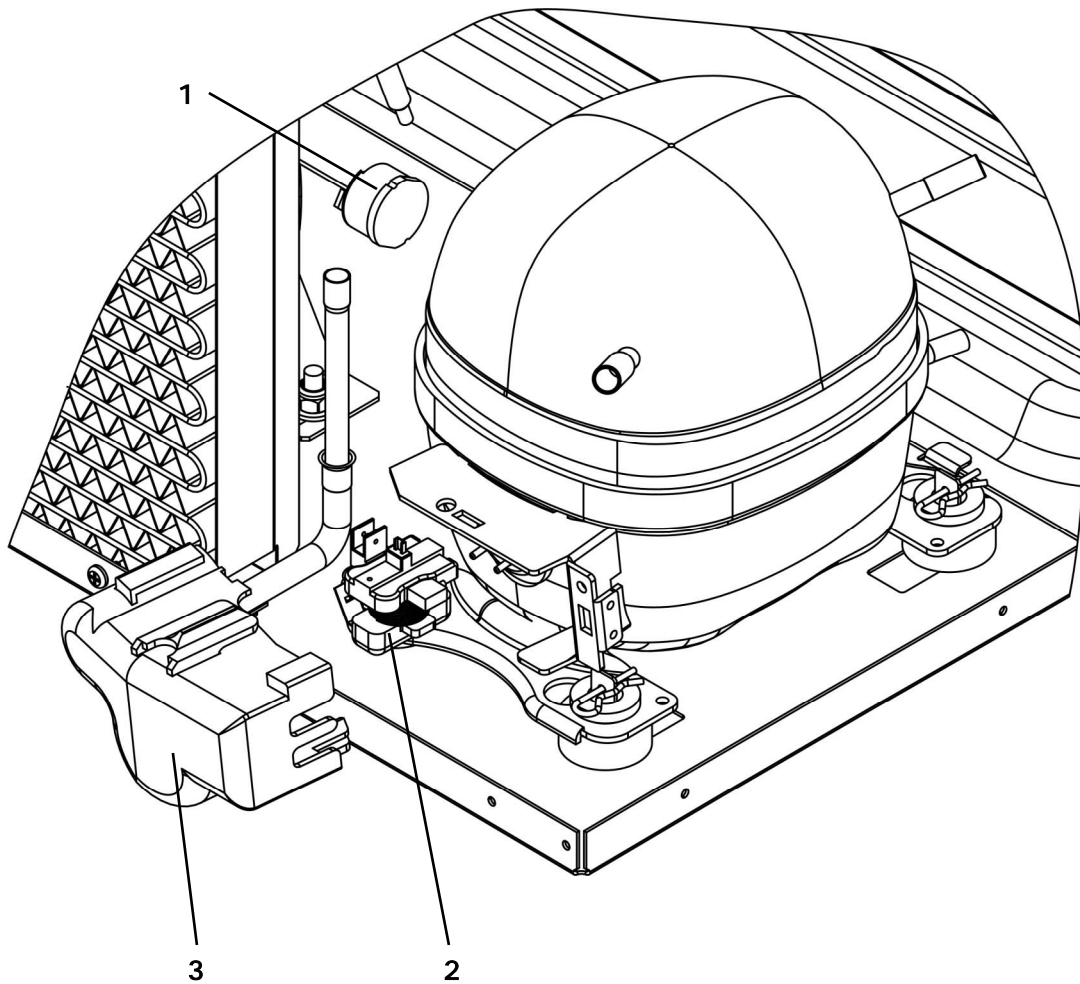
SECTION - 3

ITEM #	Part Number	Description	QTY.
1	AT54AB101	NUT, LOCK #8-32	2
2	604-054A--	RIVET, BLIND .125 OD	2
3	AU02AB101	WASHER, #8 FLAT	2
4	603-451B	NUT, HEX ¼-20 NYLOCK	2
5	603-436A	WASHER, ¼ FLAT	2
6	504-133A--	TIE, WIRE 5.6L	6
7	704-010A--	TAPE, CORK .125 X 1.50	1 ROLL
8	79BC270001-01	SCREW, #8 X 3/8L PPSM SD	5
9	79BC290001-01	CLAMP, 1" CUSHION	1
10	79BC310001-01	FAN, PROPELLER 9.5DIA 22.5 DEG PTH	1
11	79BC340001-01	PAD, RUBBER 0.06 THK 60D	1
12	79BC610054-01	COMPRESSOR HARDWARE KIT (SEE CONTENT 5)	1
13	501-148B	CONDENSER MOTOR KIT (SEE CONTENTS 6)	1
14	79BC480001-01	COIL ASY, MICRO CHANNEL	1
15	79BC490001-01	COMPRESSOR ASY KIT (SEE CONTENTS 4)	1
16	79BC600254-01	SHROUD, COND	1
17	79BC600253-01	BRACKET, CONDENSOR MOTOR	1
18	79BC600251-01	BASE, CARTRIDGE	1
19	79BC550043-01	PROTECTOR, MYLAR	1
20	79BC550043-02	PROTECTOR, MYLAR	1
21	79BC550043-03	PROTECTOR, MYLAR	1
22	303-143A	FILTER DRYER 3/16ID X 5/16ID	1



CARTRIDGE - COMPRESSOR COMPONENTS

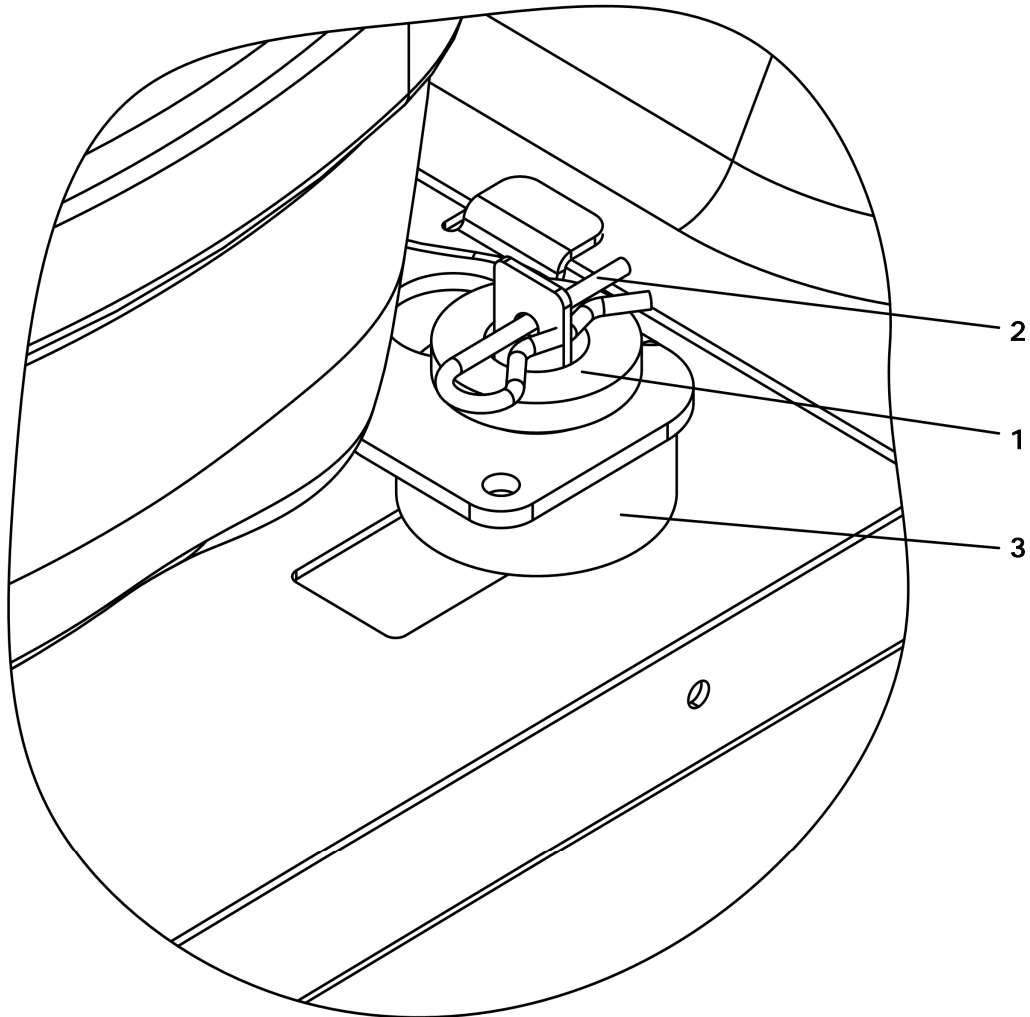
SECTION - 4



ITEM #	Part Number	Description	QTY.
1	79BC490001-10	OVERLOAD	1
2	79BC490001-11	RELAY	1
3	79BC490001-12	PROTECTIVE COVER	1

Carrier

CARTRIDGE - COMPRESSOR MOUNTING COMPONENTS
SECTION - 5

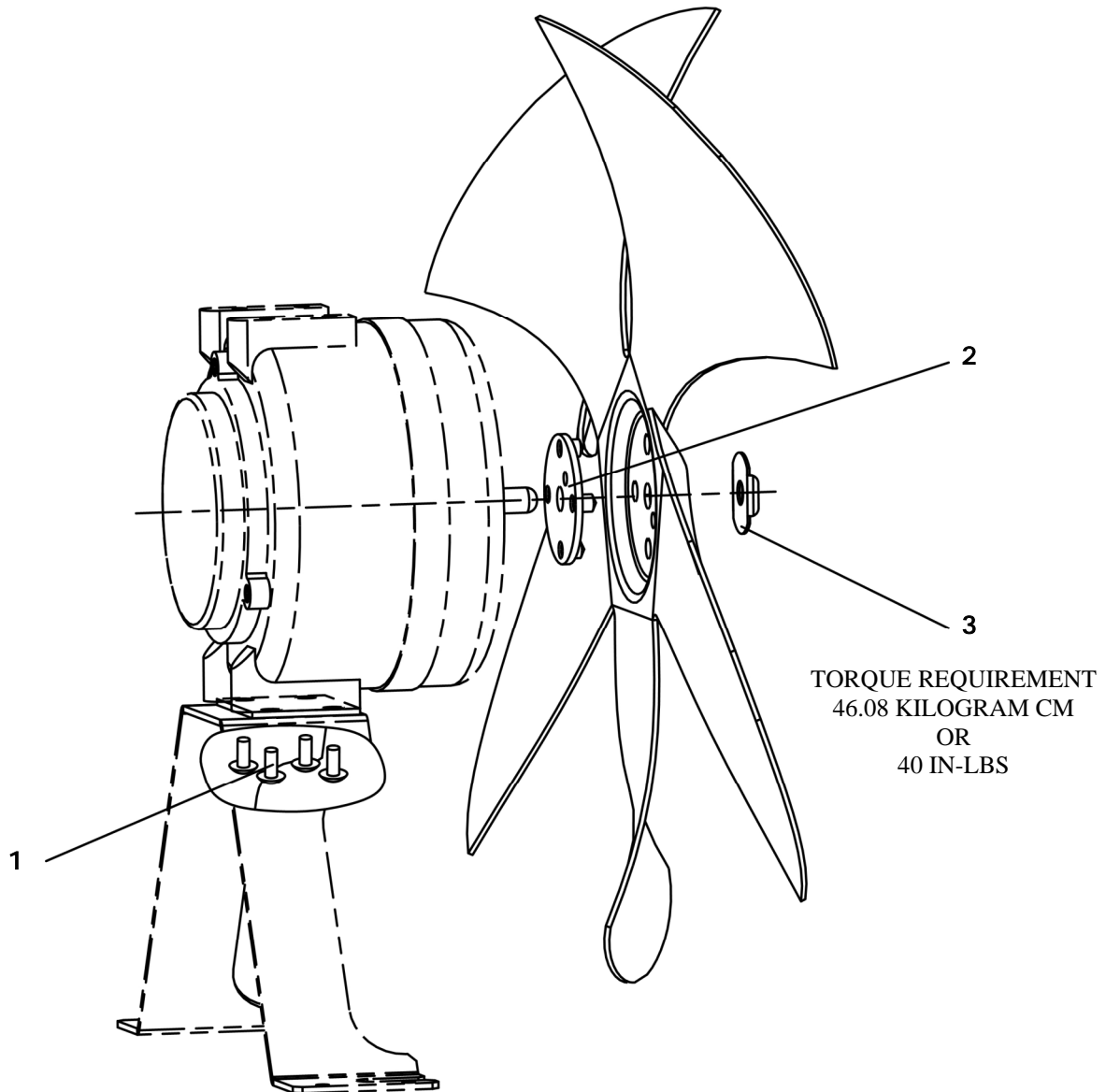


ITEM #	Part Number	Description	QTY.
1	79BC270003-01	WASHER, COMPRESSOR MOUNT	3
2	79BC290002-01	CLIP, SPRING COMPRESSOR	3
3	79BC340002-01	GROMMET	4

Carrier

CARTRIDGE - CONDENSER MOTOR COMPONENTS

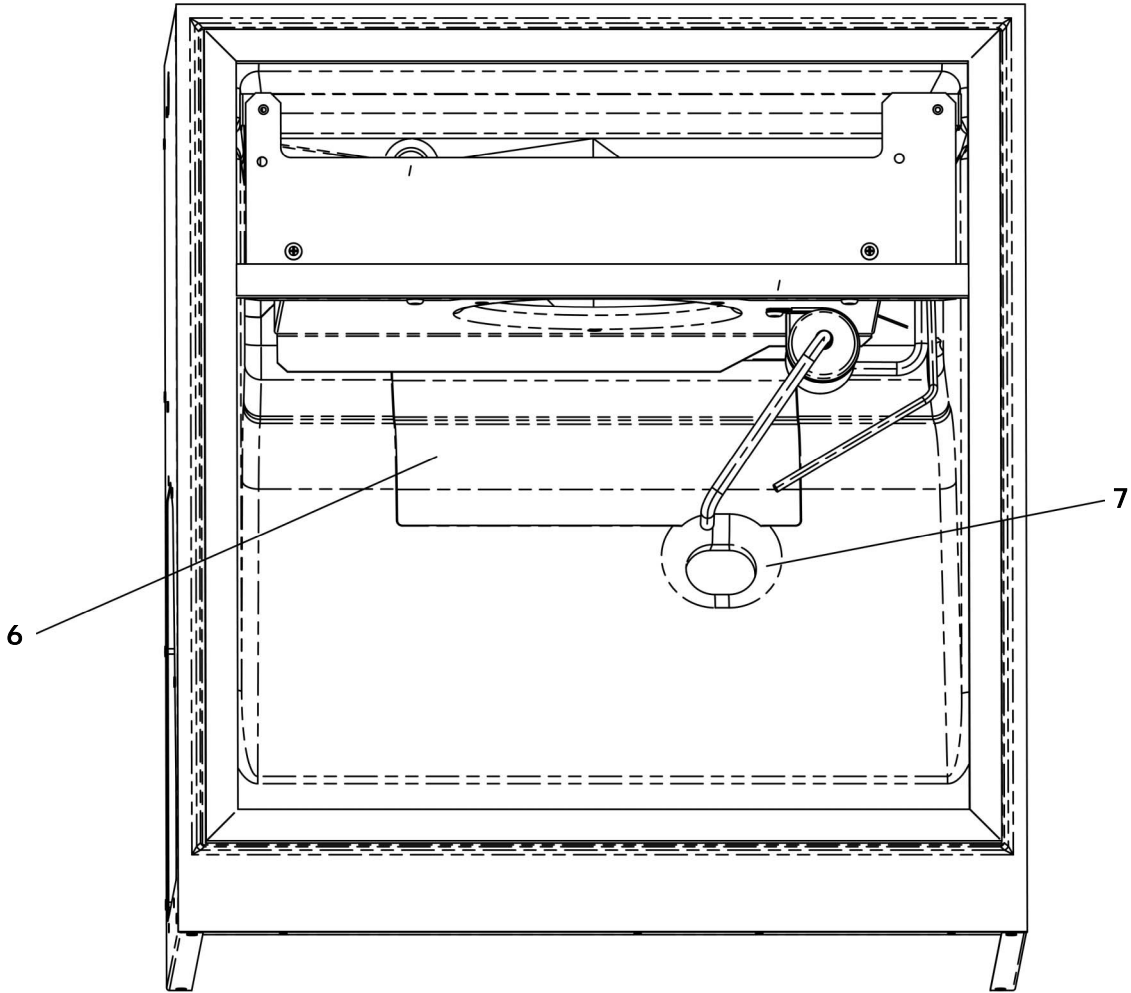
SECTION - 6



ITEM #	Part Number	Description	QTY.
1	603-479A	SCREW, HHMS 8-36 TC	4
2	603-480A	WASHER, FAN CUSHION	1
3	603-481A	NUT, 1/4-20 SHT METAL	1

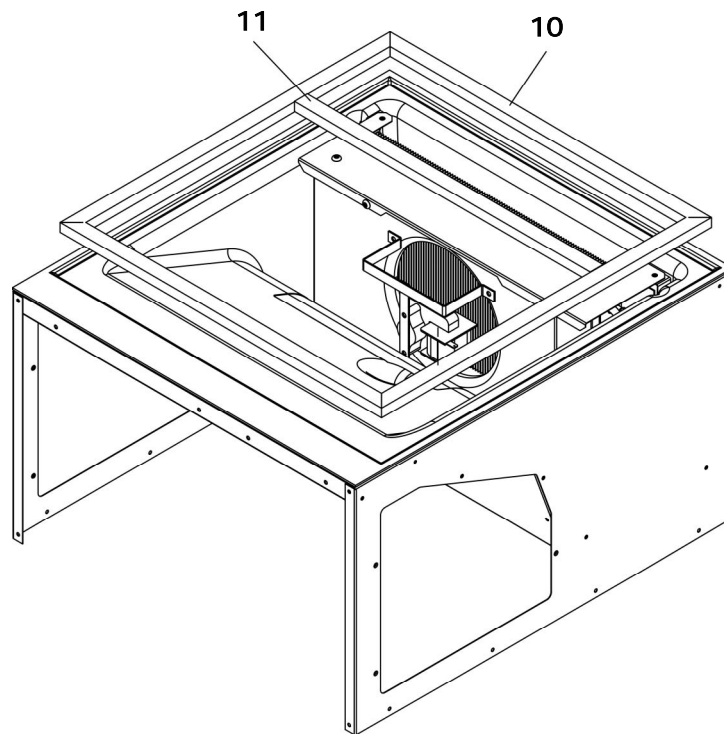
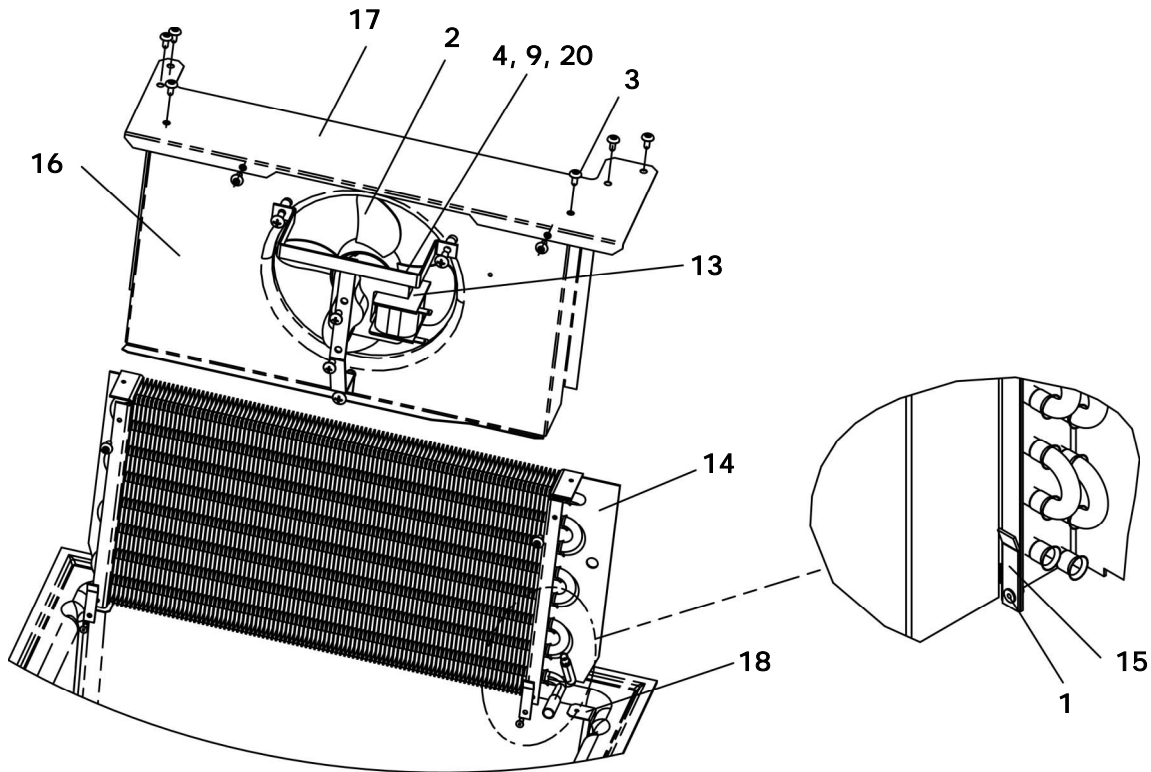
Carrier

CARTRIDGE - EVAPORATOR COMPONENTS
SECTION - 7



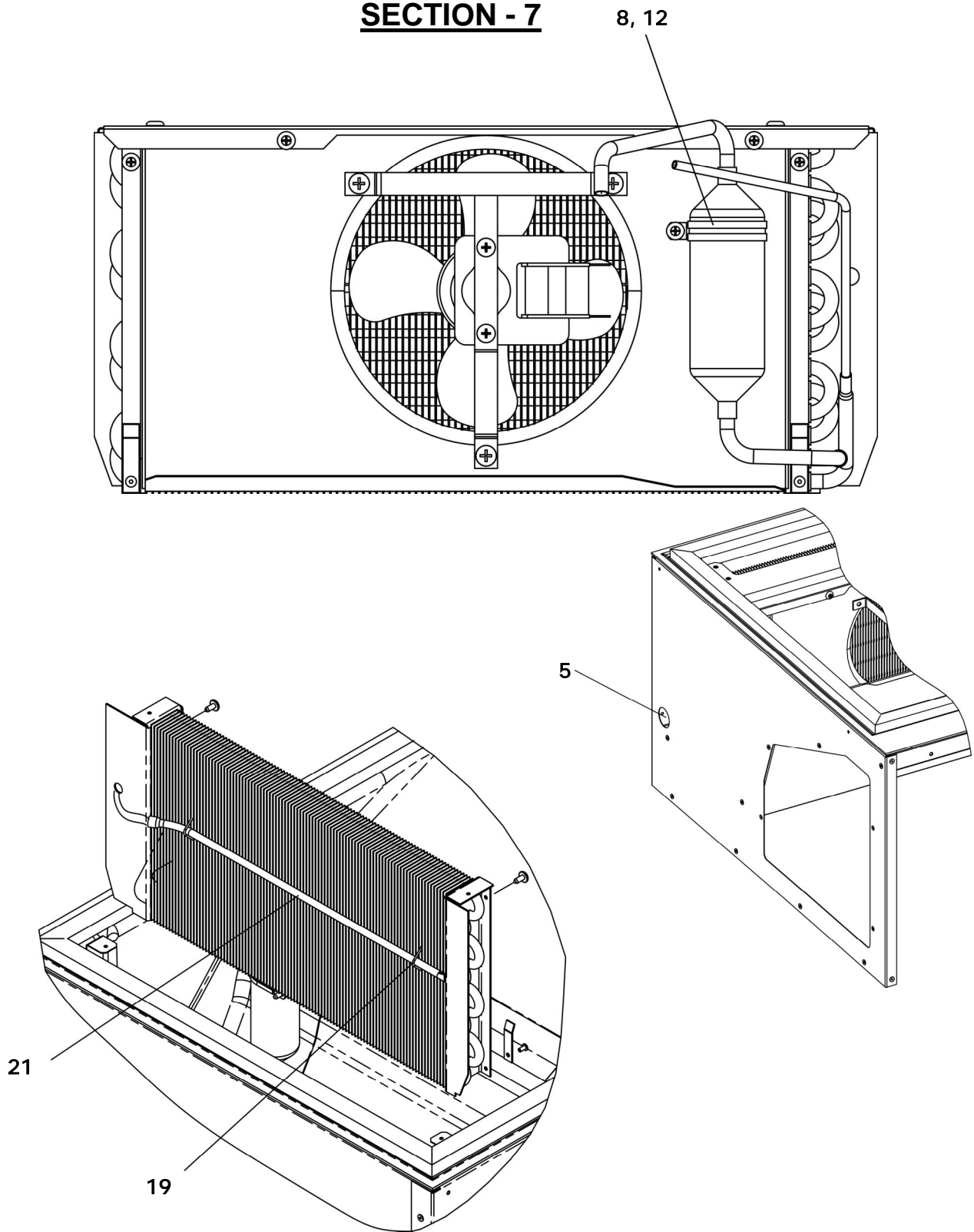
CARTRIDGE - EVAPORATOR COMPONENTS

SECTION - 7



CARTRIDGE - EVAPORATOR COMPONENTS

SECTION - 7



CARTRIDGE - EVAPORATOR COMPONENTS

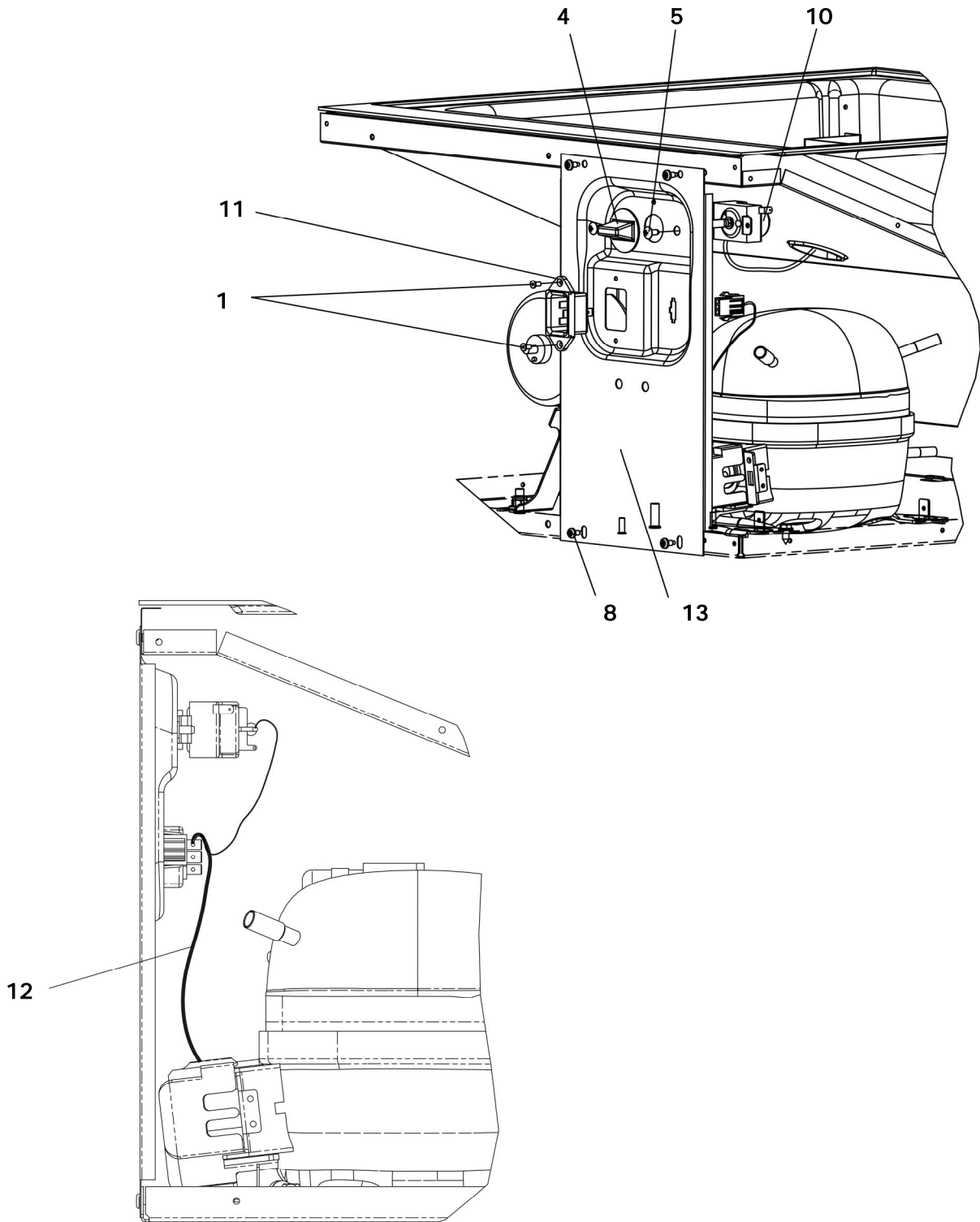
SECTION - 7

ITEM #	Part Number	Description	QTY.
1	604-054A--	RIVET, BLIND .125 OD	28
2	405-063A	FAN, EVAP 6" BLK PLASTIC	1
3	601-073A	SCREW, PTSM #8B X .375L	10
4	603-374A	SCREW, PTMS 10-32 X .375L	5
5	703-463A	PLUG, BUTTON	1
6	704-127A	TAPE, 2" X 60 YARDS ALUM (ROLL)	1
7	704-136A	SILICONE	1
8	79BC270001-01	SCREW, #8 X 3/8L PPSM SD	3
9	79BC270004-13	RIVNUT, 10-32, G 0.020-0.13	3
10	79BC280007-01	SEAL, PERIMETER	1
11	79BC280008-01	SEAL SEPARATOR	1
12	79BC290001-02	CLAMP, 1.625" CUSHION	1
13	79BC440001-01	MOTOR, 120V60HZ .73AMP	1
14	79BC480002-01	COIL ASY, EVAP 5/16 X 1 X 2 ROW	1
15	79BC600271-01	CLIP, EVAP SHROUD	2
16	79BC600257-01	SHROUD, EVAP ORIFICE	1
17	79BC600258-01	SHROUD, EVAP COVER	1
18	79BC600015-01	BRACKET, COIL MOUNT	2
19	79BC600017-01	CLIP, SPRING 5/16 X 1 TSTAT	2
20	79BC630001-01	BRACKET ASSEMBLY, EVAP MOTOR	1
21	79BC620001-01	TUBE ASSEMBLY, TSTAT	1



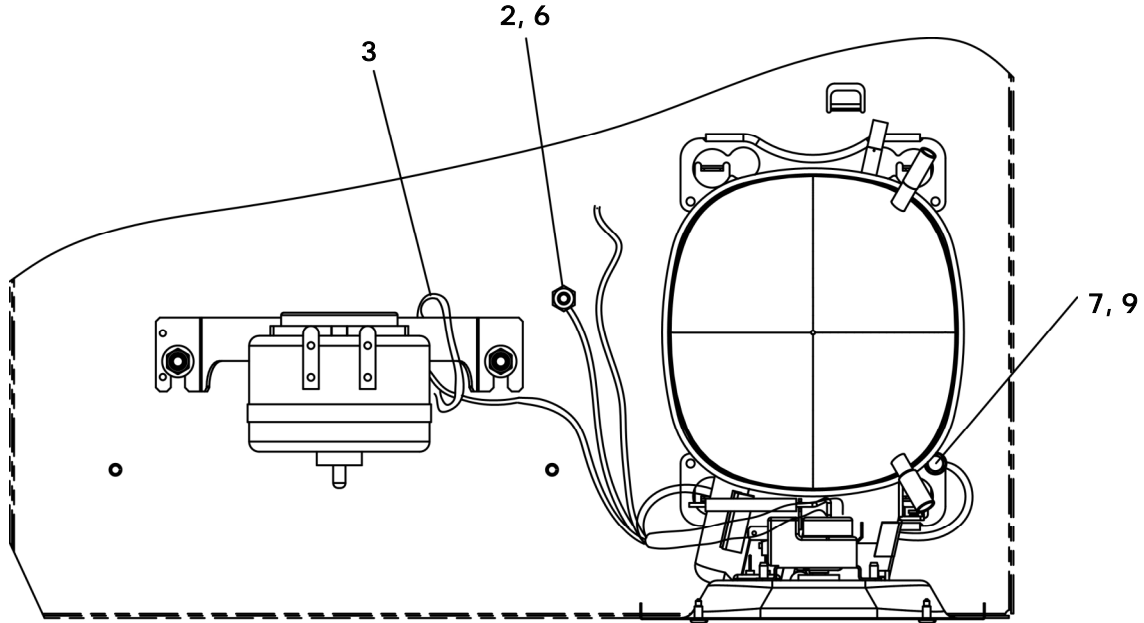
CARTRIDGE - ELECTRICAL COMPONENTS

SECTION - 8



CARTRIDGE - ELECTRICAL COMPONENTS

SECTION - 8

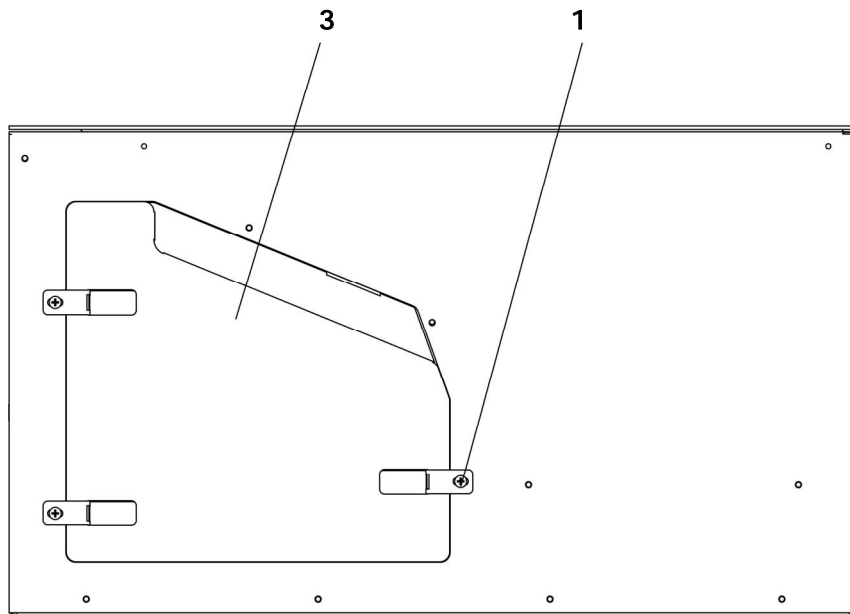
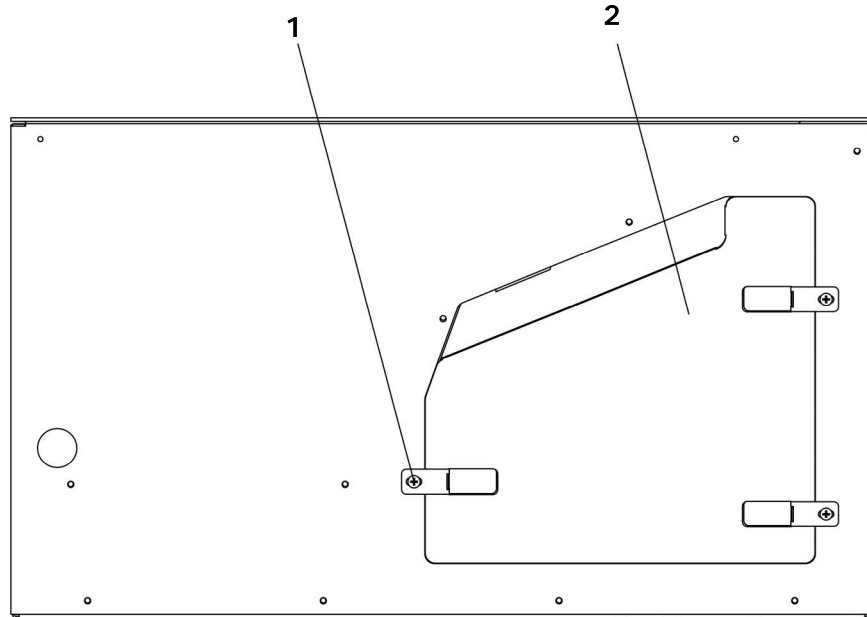


ITEM #	Part Number	Description	QTY.
1	604-054A--	RIVET, BLIND 1/8 NOM. X 3/8L	2
2	603-027A--	NUT, HEX #8-32	2
3	504-133A--	TIE, WIRE 5.6L	2
4	502-295B	KNOB, DIAL	1
5	603-086A--	SCREW, #8-32 X .375L	2
6	603-120A--	WASHER, #8 INT STAR	1
7	603-329A	WASHER, #10 INTERIAL STAR	1
8	79BC270001-01	SCREW, #8 X 3/8L PPSM SD	4
9	603-318A	SCREW, HWMS 10-32 X 1/2 CA	1
10	79BC390001-01	TEMPERATURE CTL	1
11	79BC420007-01	CONNECTOR, INLET	1
12	79BC420001-01	HARNESS	1
13	79BC600022-01	SUPPORT, ELECTRICAL STD	1

Carrier

CARTRIDGE - ACCESS PLATE COMPONENTS

SECTION - 9



ITEM #	Part Number	Description	QTY.
1	79BC270001-01	SCREW, #8 X 3/8L PPSM SD	6
2	79BC600006-05	PLATE, ACCESS LS	1
3	79BC600007-05	PLATE, ACCESS RS	1

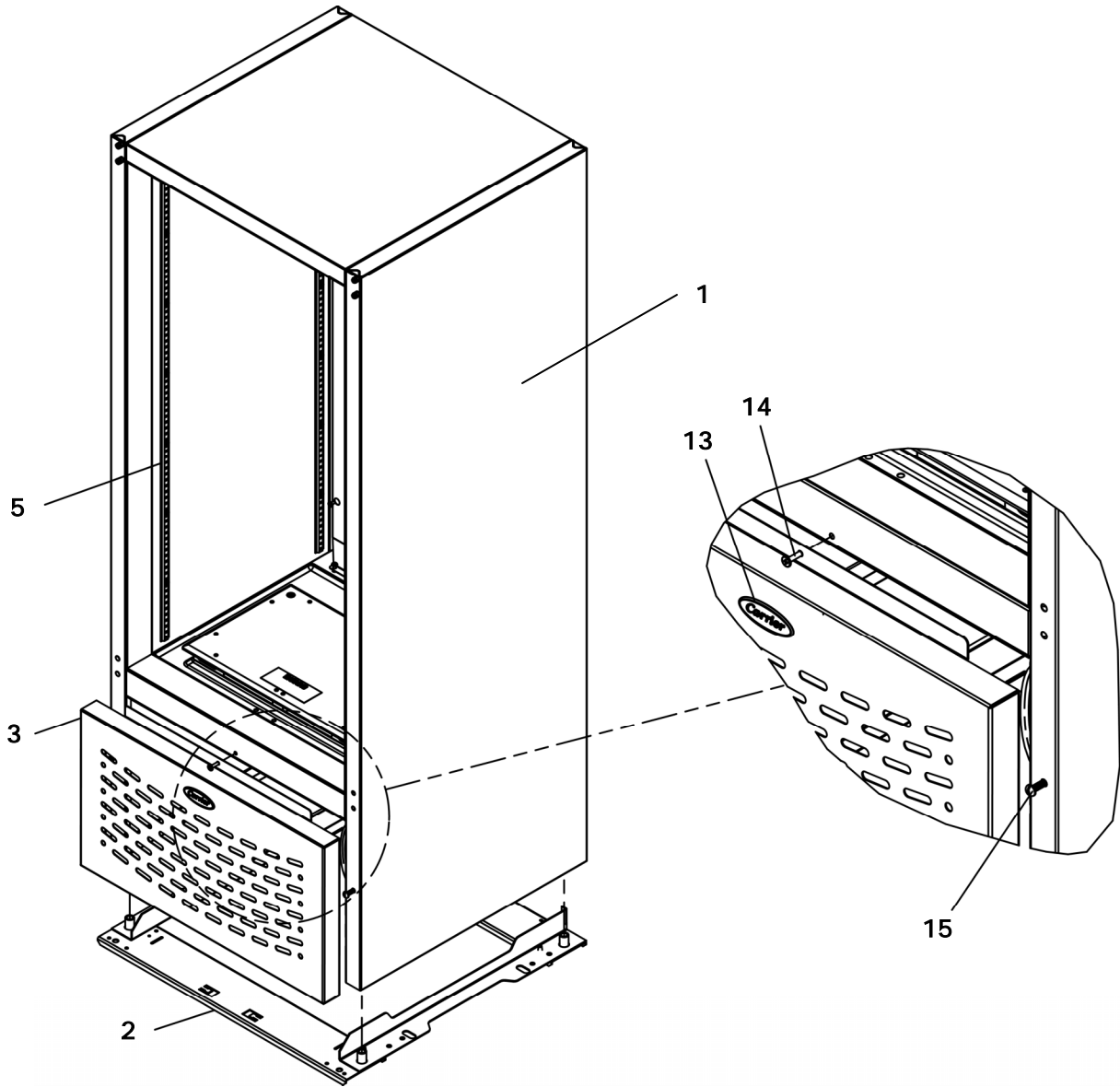


CABINET SECTION

SECTION - iii

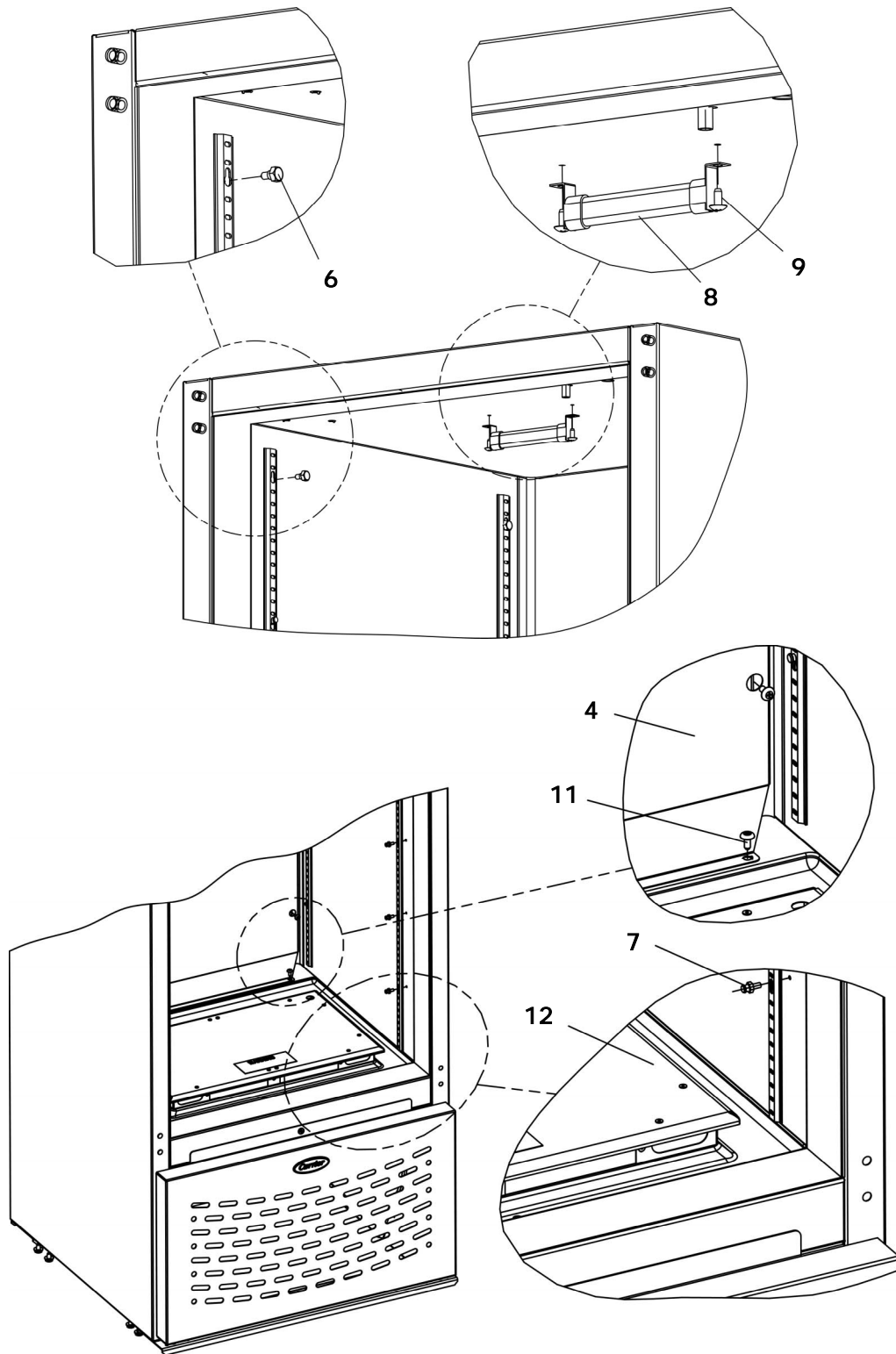


CABINET COMPONENTS
SECTION - 10



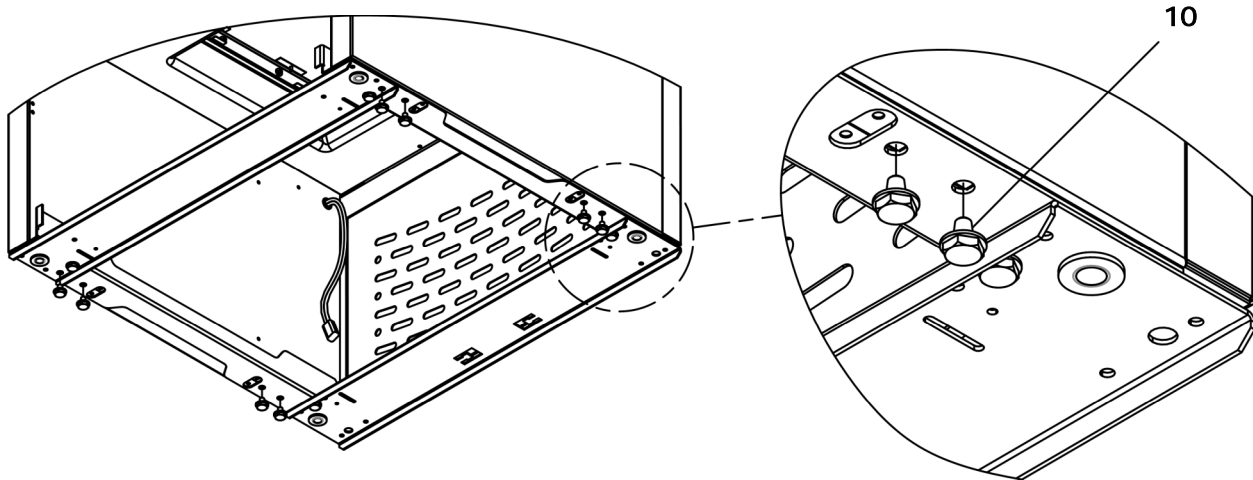
CABINET COMPONENTS

SECTION - 10



CABINET COMPONENTS

SECTION - 10

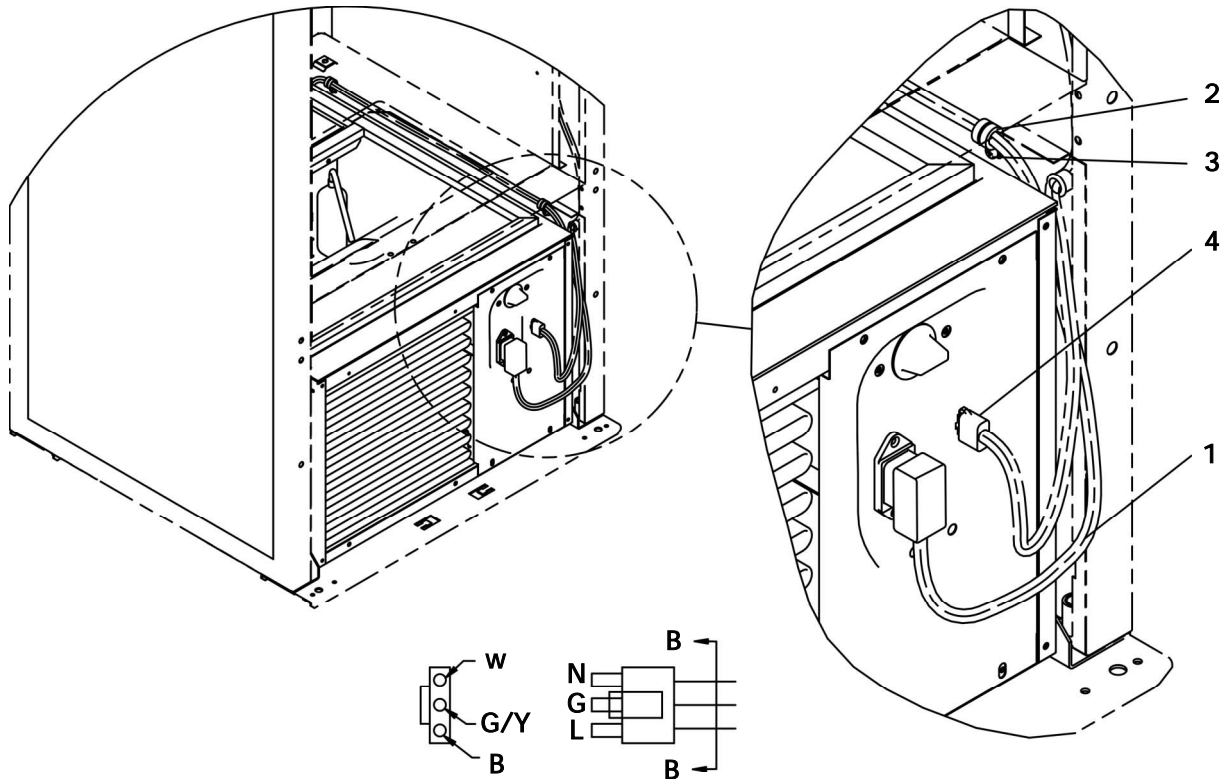


ITEM #	Part Number	Description	QTY.
1	79BC610009-03	CABINET, FOAMED 300L – BLACK	1
	79BC610009-04	CABINET, FOAMED 260L-BLACK	1
2	79BC610006-01	BASE ASSEMBLY, 260/300L	1
3	79BC600202-01AA	GRILLE, FRONT 300L BLACK	1
4	79BC600203-01AB	PANEL, AIR DUCT 300L WHITE	1
	79BC600203-02AB	PANEL, AIR DUCT 260L WHITE	1
5	403-145A	PILASTER, 300L 42" LG	4
	79BC600042-04	PILASTER, 260L 34" LG	4
6	601-089A	SCREW, HHSM #10 X.31 SHLDR	4
7	603-414A	SCREW, PILASTER 8-32	20
8	402-252B	THERMOMETER, HORIZONTAL MTG	1
9	603-086A--	SCREW, # 8-32 X .375L	2
10	601-063A	SCREW, HWSM #14 X .38L	8
11	601-073A	SCREW, PTSM #8B X .375L	6
12	79BC610050-01	SPILL SHIELD 260/300L WHITE	1
13	79BC550031-01	EMBLEM, CARRIER	1
14	603-399A	SCREW, PTMS 10-32 X .75L	1
15	603-273A	SCREW, .25-20 X .75LG SRMS	2

Carrier

CABINET ELECTRICAL COMPONENTS

SECTION - 11



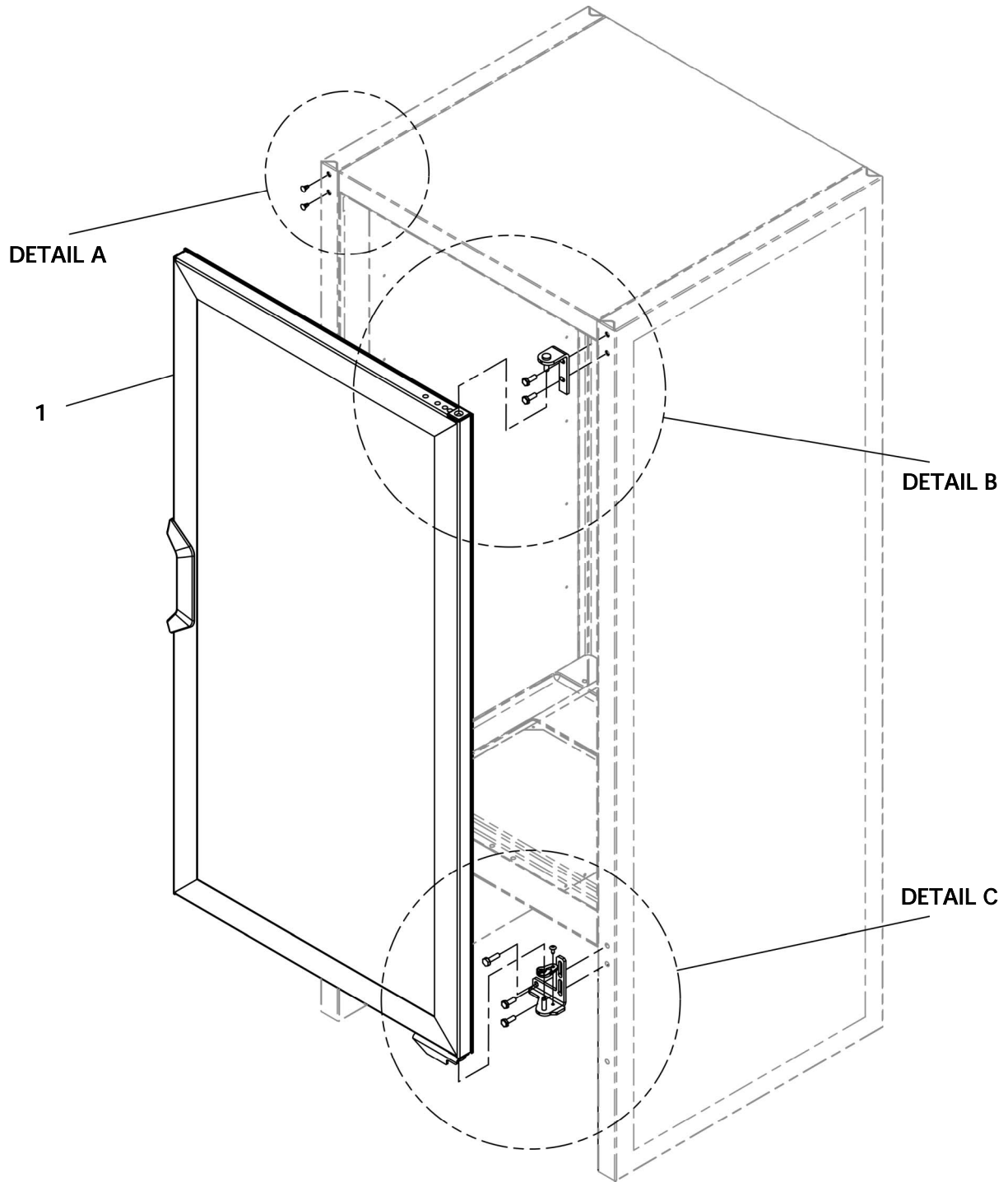
VIEW B-B

ITEM #	Part Number	Description	QTY.
1	79BC420004-01	CORD, POWER	1
2	605-007A--	CLAMP, TUBE .375 RUBBER COVERED	2
3	601-055A--	SCREW, PPSM #8 X .50L SD	2
4	79BC420015-01	CONNECTOR, MOLEX (3 PIN)	1

Carrier

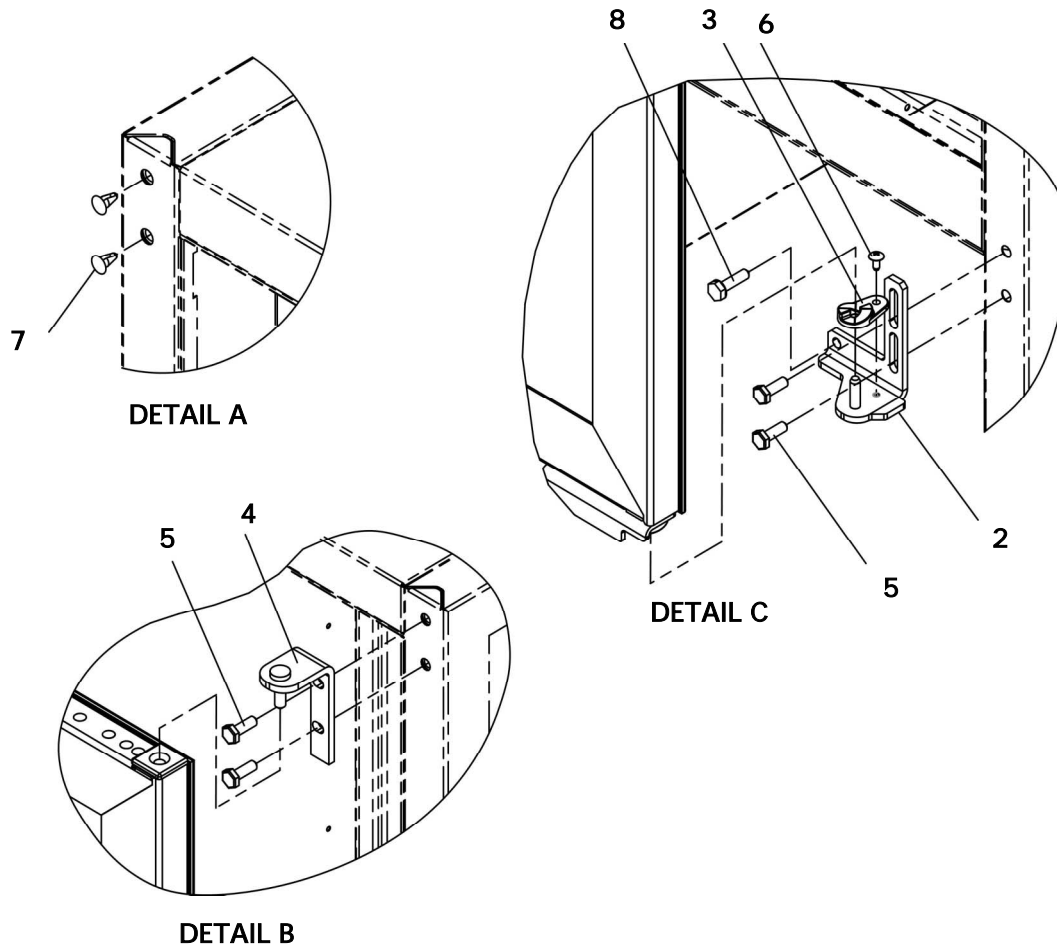
CABINET DOOR COMPONENTS

SECTION - 12



CABINET DOOR COMPONENTS

SECTION - 12

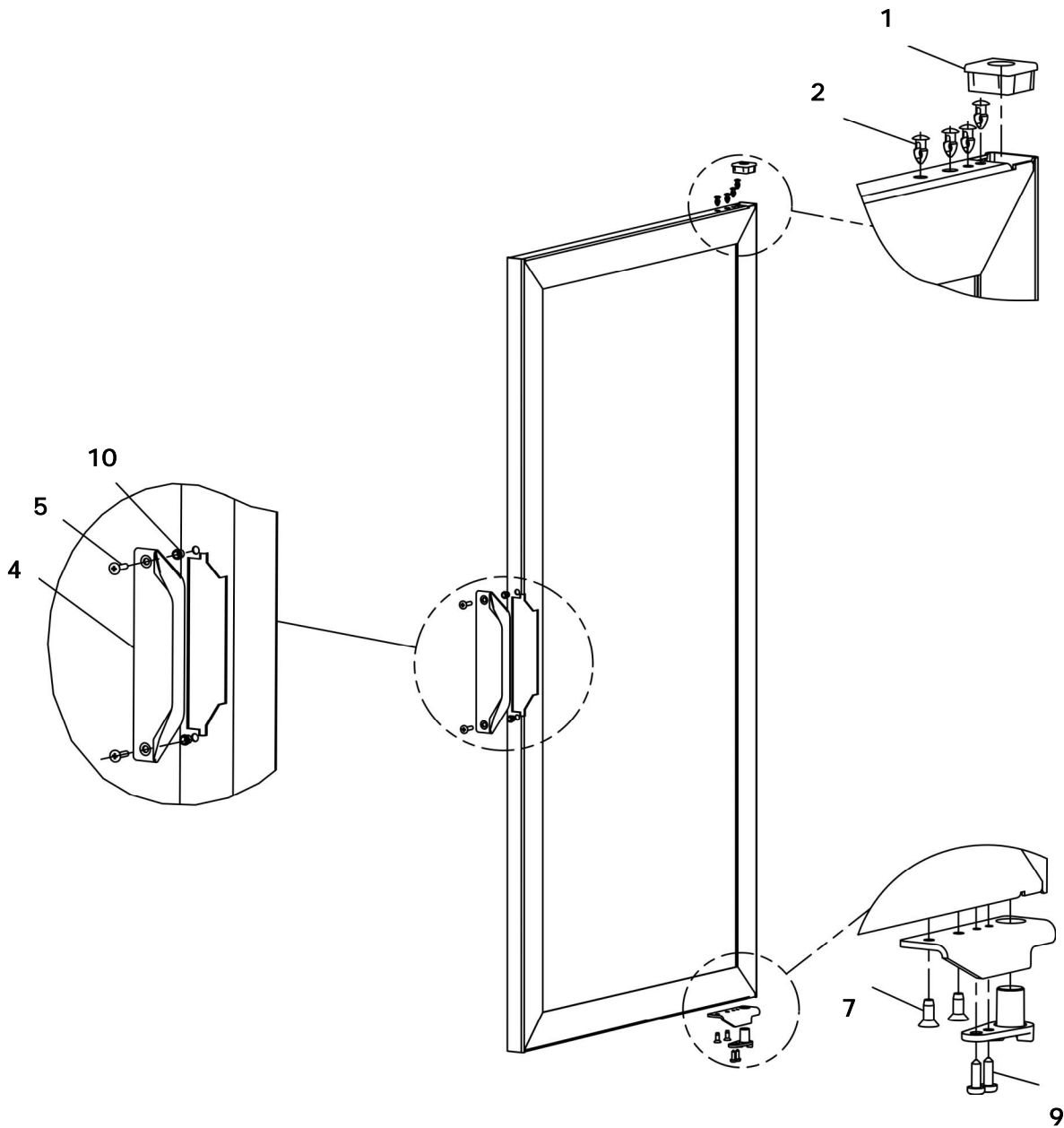


ITEM #	Part Number	Description	QTY.
1	79BC610005-01	DOOR ASY, 300L	1
	79BC610005-02	DOOR ASY, 260L	1
2	79BC600204-01AA	BRACKET, MOUNTING LOWER DOOR RH BLACK	1
3	79BC550011-01	CAM, LOWER DOOR – RH MOUNT	1
4	401-246A-02	BRACKET, MOUNTING UPPER DOOR RH	1
5	603-400A	SCREW, 1/4 -20 X 3/4 HHCS	4
6	603-086A--	SCREW, #8-32 X .375L	1
7	703-983A-02	PLUG, CABINET	4
8	603-174A--	SCREW, HWSM #14 X 3/4 BZP SD	1

Carrier

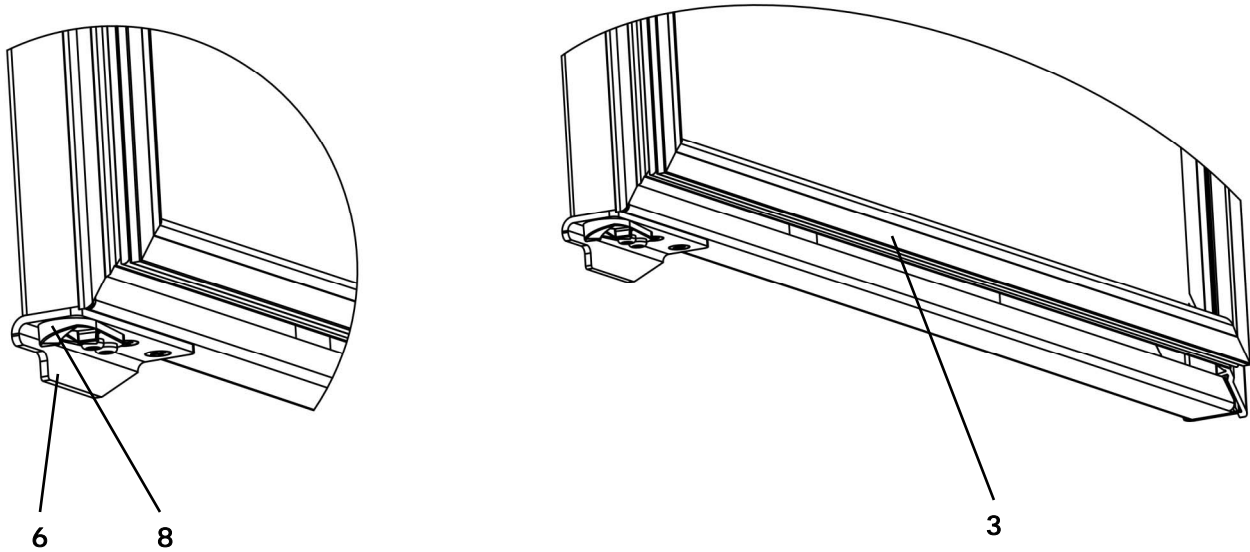
CABINET DOOR ASSEMBLY

SECTION - 13



CABINET DOOR ASSEMBLY

SECTION - 13

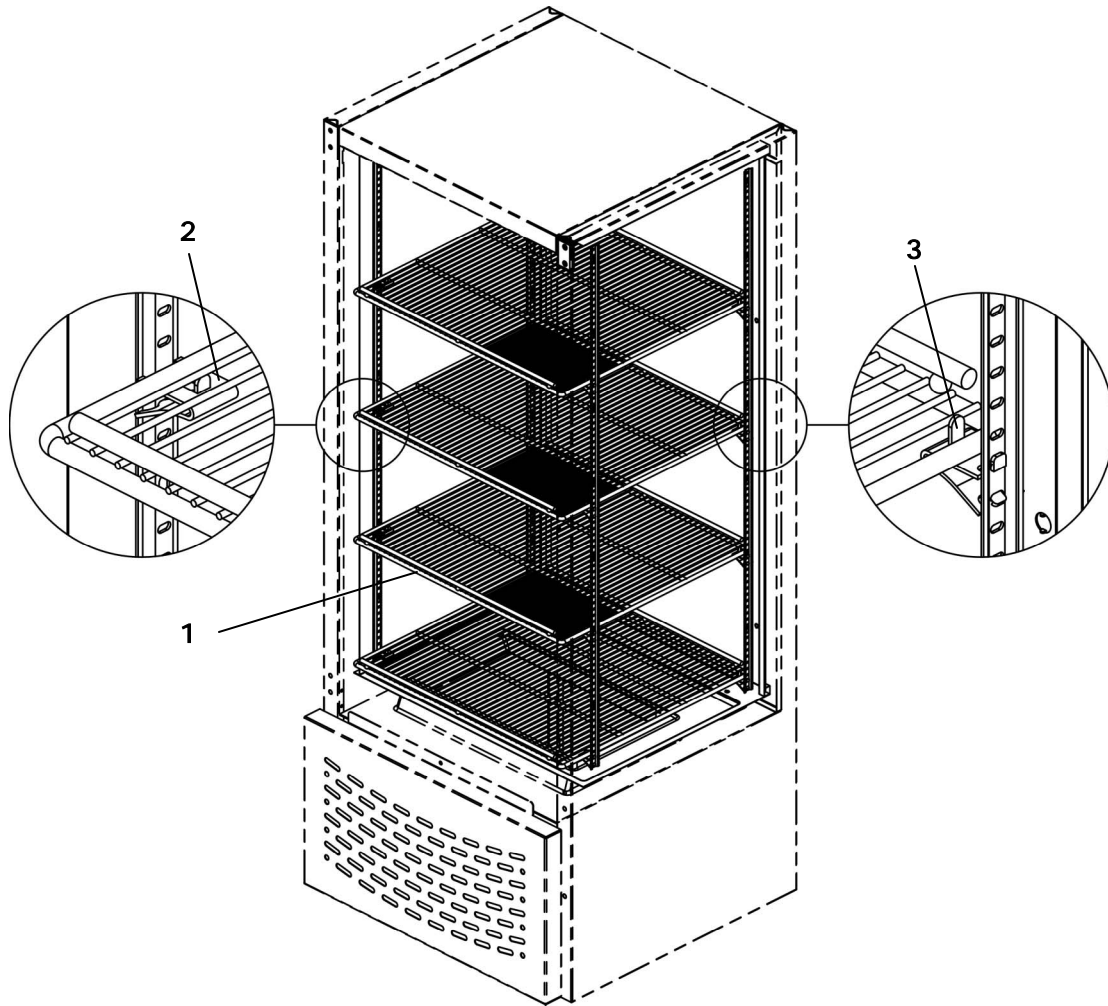


ITEM #	Part Number	Description	QTY.
1	79BC550015-01	BUSHING, DOOR-TOP	1
2	711-017A-03	PLUG,HOLE BLK .312 HD DIA	2
3	79BC550016-01	GASKET, DOOR 300L	1
	79BC550016-02	GASKET, DOOR 260L	1
4	79BC550019-01	HANDLE, DOOR RECESSED	1
5	603-399A	SCREW, PTMS 10-32 X .75L	2
6	79BC600205-01AA	BRACKET, LOWER DOOR (RH) BLK	1
7	603-249A	SCREW, PFMS #10-32 X .50L	2
8	79BC550014-01	CAM, UPPER DOOR-RH MOUNT	1
9	601-055A--	SCREW, PPSM #8 X .50L SD	2
10	604-161A	NUT, RIVET 10-32	2

Carrier

CABINET SHELF COMPONENTS

SECTION - 14

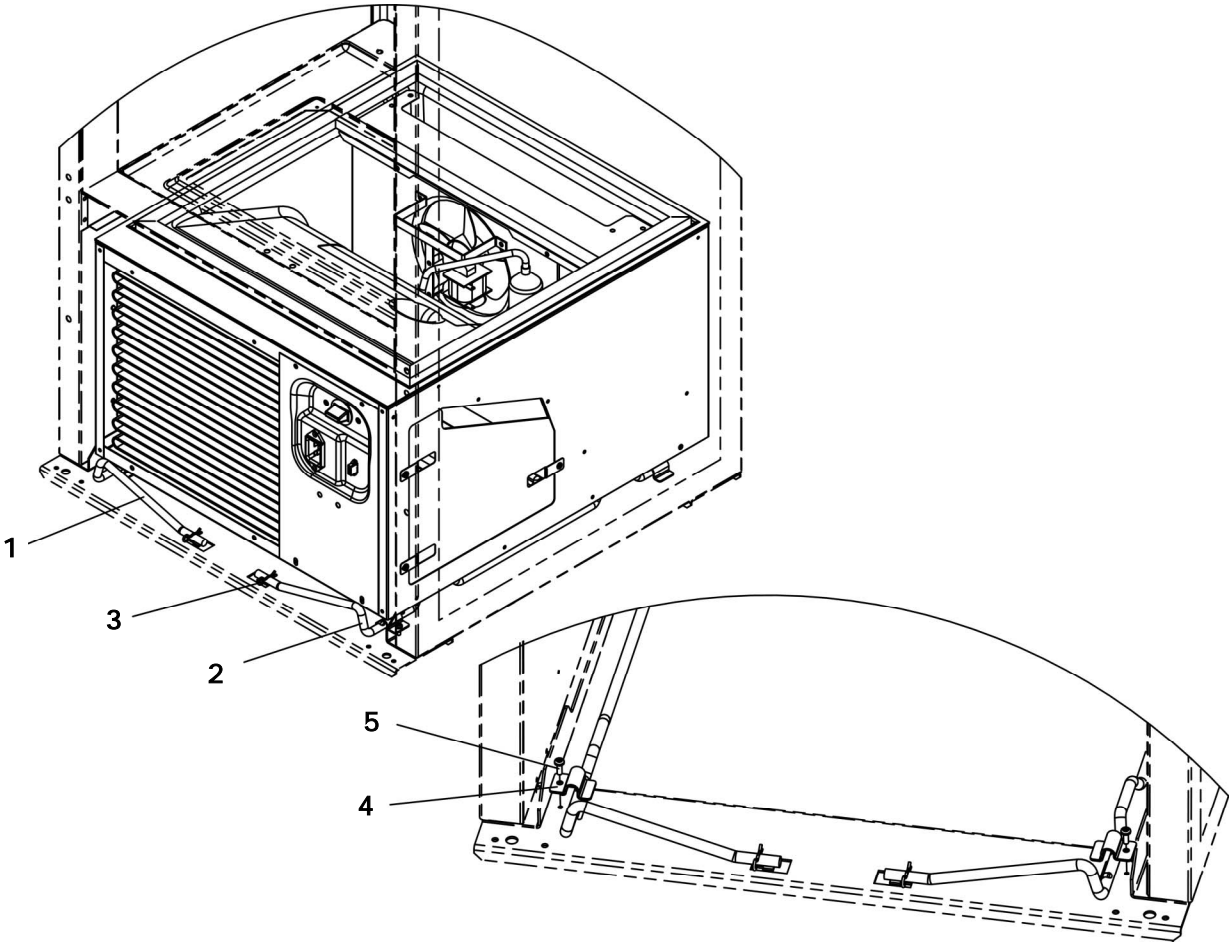


ITEM #	Part Number	Description	QTY.
1	79BC60024-01	SHELF, WIRE 300L	4
	79BC60024-01	SHELF, WIRE 260L	3
2	403-168A	CLIP, SHELF SHORT TAB 300L	8
	403-168A	CLIP, SHELF SHORT TAB 260L	6
3	403-306A	CLIP, SHELF LONG TAB 300L	8
	403-306A	CLIP, SHELF LONG TAB 260L	6

Carrier

CABINET LIFTING COMPONENTS

SECTION - 15

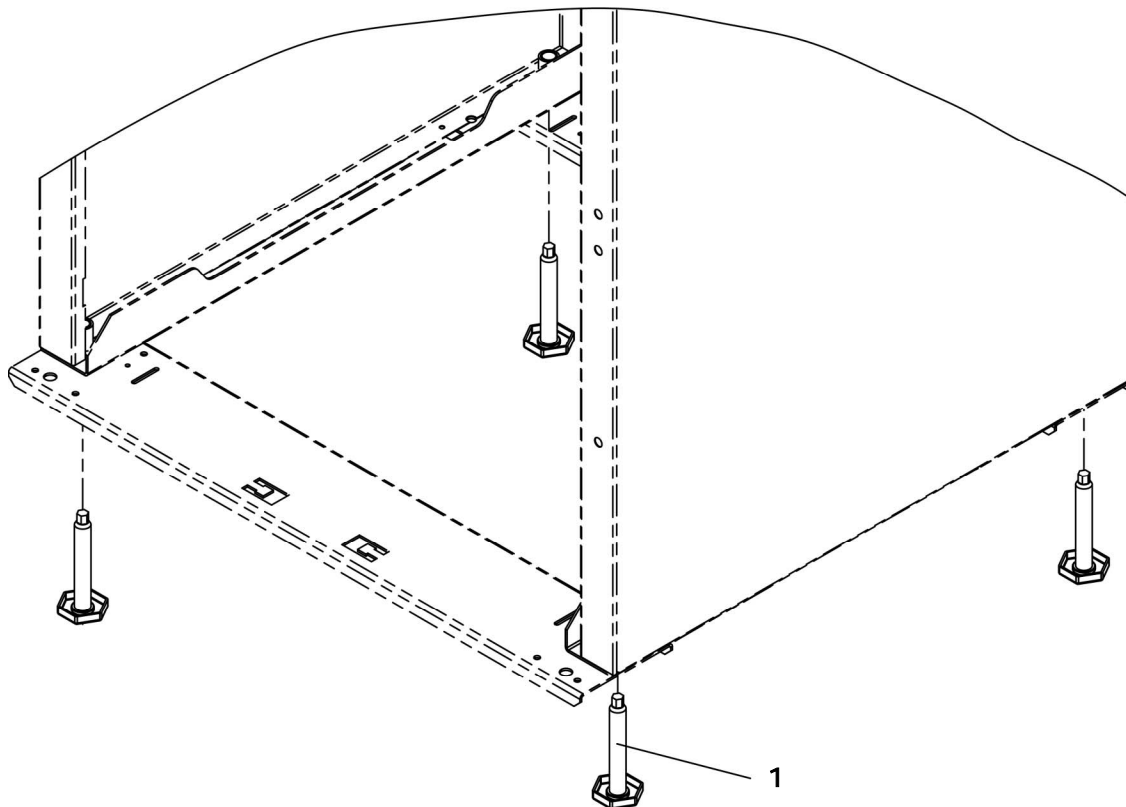


ITEM #	Part Number	Description	QTY.
1	79BC600049-01	ROD, LIFTING 260L/300L LH	1
2	79BC600049-02	ROD, LIFTING 260L/300L RH	1
3	504-133A--	TIE, WIRE 5.6L	2
4	79BC600044-01	CLAMP, LIFTING ROD	4
5	601-055A--	SCREW, PPSM #8 X .50L SD	4

Carrier

CABINET LEVELING COMPONENTS

SECTION - 16

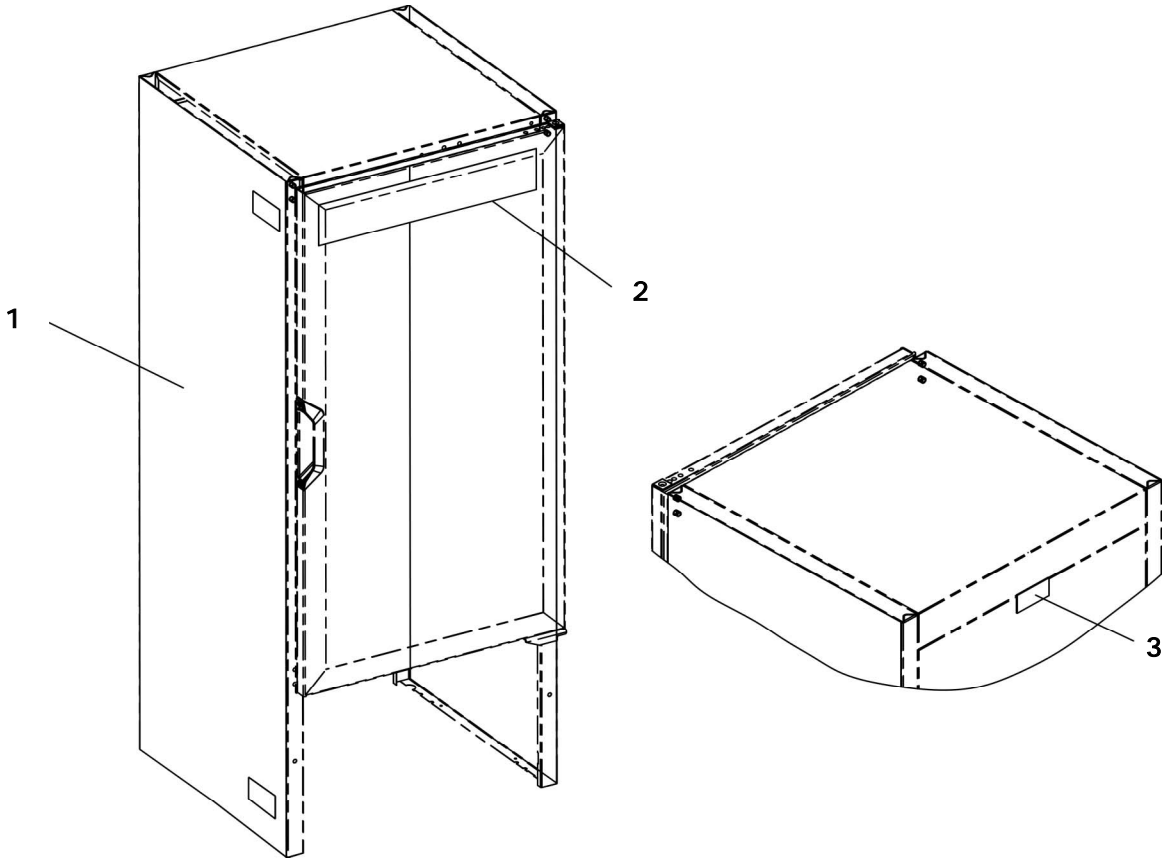


ITEM #	Part Number	Description	QTY.
1	401-670A	LEVELING LEG 1/2 -13 X 3.00	4



CABINET LABEL COMPONENTS

SECTION - 17

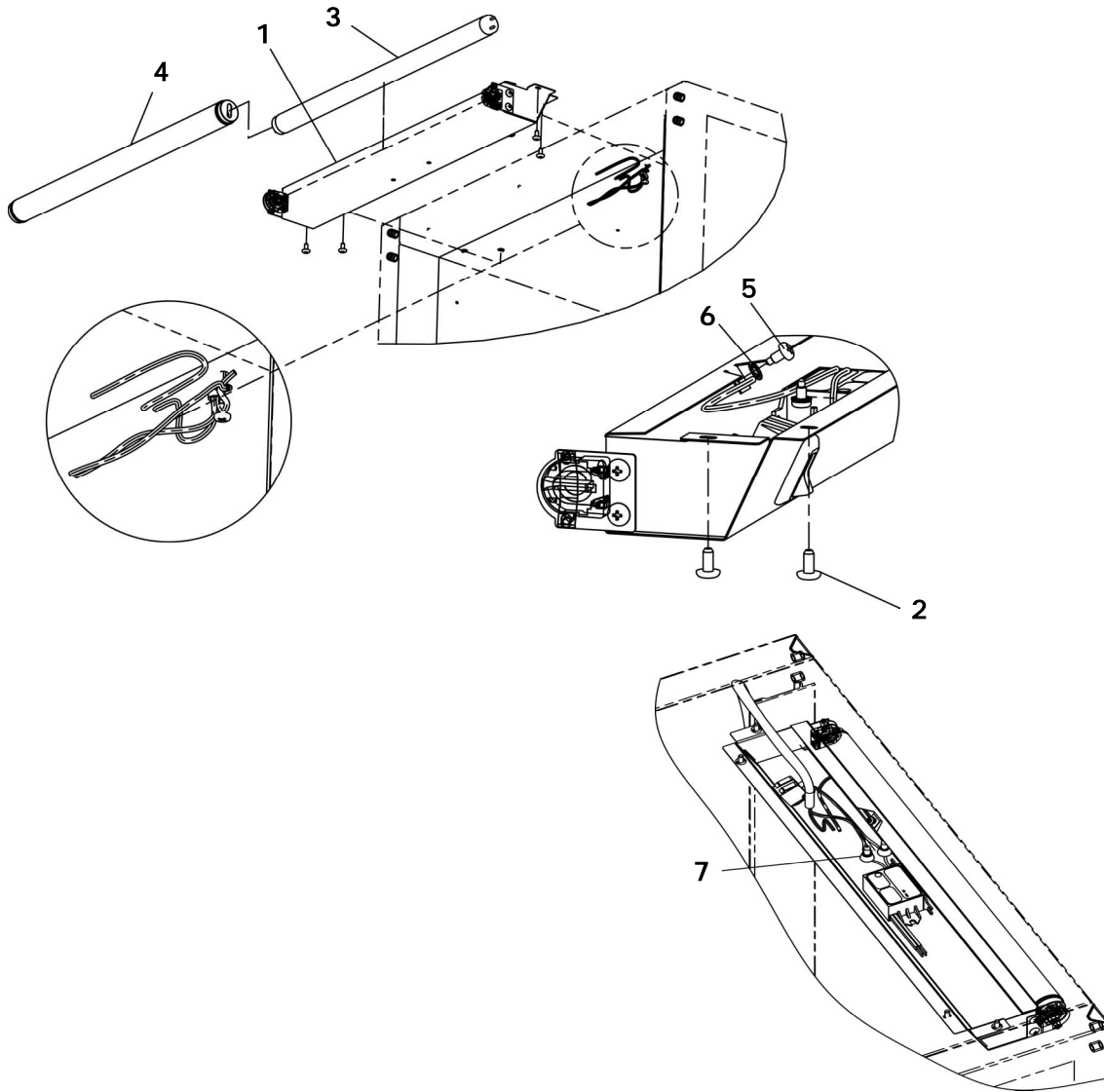


ITEM #	Part Number	Description	QTY.
1	79BC560003-01	LABEL, 300L SIDE (COKE)	2
	79BC560003-02	LABEL, 300L SIDE (PEPSI)	2
	79BC560003-05	LABEL, 260L SIDE (COKE)	2
	79BC560003-06	LABEL, 260L SIDE (PEPSI)	2
2	79BC560003-03	LABEL, 260/300L DOOR(COKE)	1
	79BC560003-04	LABEL, 260/300L DOOR (PEPSI)	1
	79BC560004-01	LABEL, 260/300L DOOR(GENERIC)	1
3	26-0231-00	LABEL, WARN LAMP MERCURY	1

Carrier

CABINET LIGHT COMPONENTS

SECTION - 18

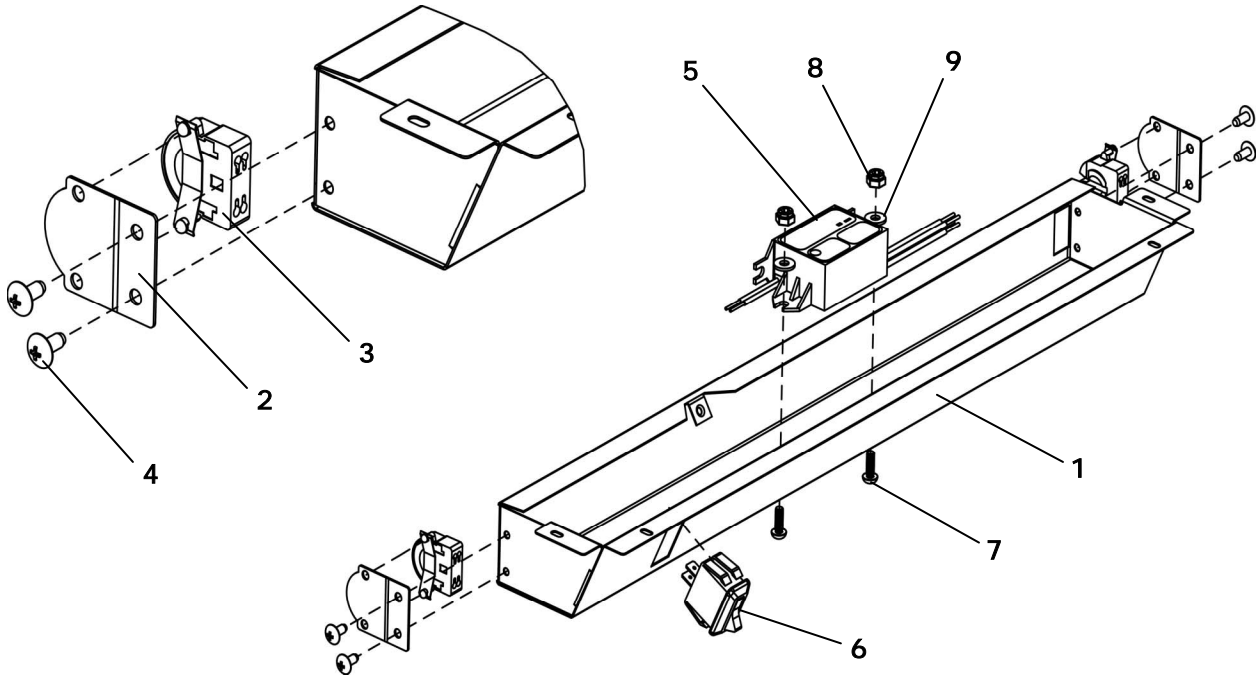


ITEM #	Part Number	Description	QTY.
1	79BC610017-01	LIGHT BOX 260/300L	1
2	601-073A	SCREW, PTSM #8B X .375L	4
3	503-227B-02	LAMP, FLOURESCENT	1
4	713-062C-04	SHIELD, LAMP	1
5	79BC270001-01	SCREW, #8 X 3/8L PPSM SD	2
6	603-120A--	WASHER, #8 INT STAR	2
7	504-320A	CONNECTOR, CRIMP	2

Carrier

CABINET LIGHT ASSEMBLY

SECTION - 19



ITEM #	Part Number	Description	QTY.
1	79BC600215-01AB	BOX,LIGHT 260/300L WHITE	1
2	41A01-305B-04	BRACKET,MTG RECEPTACLE	2
3	503-235B	RECEPTACLE LIGHT	2
4	603-086A	SCREW #8-32 X .375L	4
5	79BC370002-01	BALLAST,LIGHT	1
6	502-126A	SWITCH LIGHT SPST	1
7	603-483D	SCREW PPMS #8 X .50L	2
8	AT54AB101	NUT,LOCK #8-32	2
9	AU02AB101	WASHER #8 FLAT	2

Carrier

UNIT OWNERS MANUAL
SECTION - iv

ITEM #	Part Number	Description	QTY.
1	79BC560002-01	INSTRUCTION, INSTALL AND OPERATION	1

