

# **BEVERAGE-AIR**

**PARTS  
MANUAL  
FOR  
DD/BB/BM/GF/MS**



**ALL PURPOSE COLD**

**DIRECT DRAW  
BACK BAR  
BAR MOBILE  
GLASS FROSTER  
MIXED STORAGE**

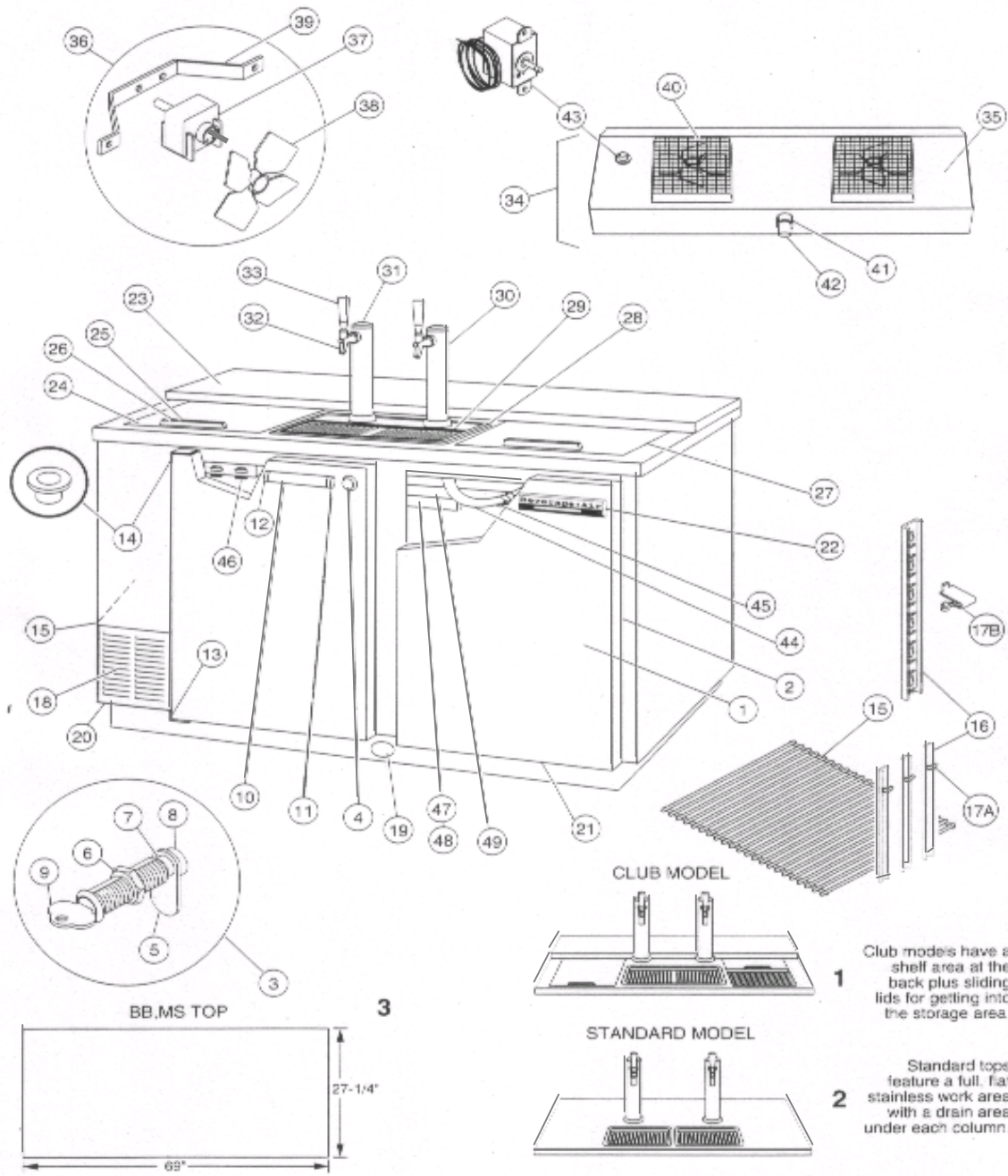
**115V/60HZ  
220V/50HZ**

**TABLE OF CONTENTS**

<b>DD/BB/MS SECTION</b>	
<b>PART</b>	<b>PAGE NUMBER</b>
ACCUMULATOR	8
AIR HOSE	5
BEER FAUCETS	4
BLOWER HOUSINGS	5
CO2 MANIFOLD ASSEMBLY	5
COMPRESSOR	7
COMPRESSOR OVERLOAD	7
COMPRESSOR RELAY	7
CONDENSATE DRAIN PAN	4
CONDENSER COIL	7
CONDENSER FAN BLADE	7
CONDENSER FAN MOTOR	7
CONDENSER MOTOR BRACKET	7
CONDENSING UNIT	7
DOOR GASKETS	3
DOOR HANDLES	3
DOOR HINGE BUSHINGS	3
DOOR HINGES	3
DOOR LOCKS	3
DOORS	2
DRAFT ARMS	4
DRAWN DRAIN PANS	4
DRIP TRAYS (LOUVERED)	4
DRYER	7
EVAPORATOR BLADE	5
EVAPORATOR COIL	8
EVAPORATOR COIL ASSEMBLY	8
EVAPORATOR MOTOR	5
EVAPORATOR MOTOR KITS	5
EXTERIOR DRAIN ASSEMBLIES	4
FRONT & REAR GRILLS	3-4
KICK PLATE	4
LID RAIL BREAKERS	4
LIGHT BULB	5
LIGHT SOCKET	5
LIGHT SWITCH	5
PILASTER SCREWS	3
PILASTERS	3
REFRIGERATION SYSTEM	7
SHELF CLIPS	3
SHELVING & BASKETS	3
SUCTION LINE/CAPILLARY ASSE	8
TEMPERATURE CONTROL	5
TOP ASSEMBLIES	4
TOP CAPS	4
TOP RAIL & BACKBOARD ASSEM	4
<b>BM23 SECTION</b>	
<b>PART</b>	<b>PAGE NUMBER</b>
ACCUMULATOR	11
AIR HOSE	10
BEER HOSE	10
BLOWER HOUSING	10
CASTER/UNIT BASE	11
CASTERS	10
COMPRESSOR	11

<b>BM23 SECTION</b>	
<b>PART</b>	<b>PAGE NUMBER</b>
COMPRESSOR OVERLOAD	11
COMPRESSOR RELAY	11
CONDENSER COIL	11
CONDENSER FAN MOTOR	11
CONDENSER MOTOR BLADE	11
DOOR ASSEMBLIES	10
DOOR GASKET	10
DOOR HANDLE	10
DOOR HINGE BUSHING	10
DOOR HINGES	10
DOOR LOCK	10
DOOR LOCK KEYS	10
DRAFT ARM	10
DRAWN DRAIN PAN	10
DRIP TRAY	10
EVAPORATOR FAN BLADE	10
EVAPORATOR FAN MOTOR	10
EVAPORATOR MOTOR BRACKE	10
FAN GUARD	10
GLASS RAILS	10
LID ASSEMBLY	10
REFRIGERATION SYSTEM	11
SHELVING	10
TEMPERATURE CONTROL	10
TOP ASSEMBLY	10
TOP BACKBOARD ASSEMBLY	10
TOP CAP FOR COLUMN	10
TOP RAIL ASSEMBLY	10
UNIT HOUSING COVER	10
WASTE BOTTLE	10
WASTE BOTTLE ASSEMBLY	10
<b>GF24/34/48 SECTION</b>	
<b>PART</b>	<b>PAGE NUMBER</b>
ACCUMULATOR	14
BACKBOARD	13
CAPILLARY TUBE	14
COMPRESSOR	14
COMPRESSOR RELAY/OVERLO,	14
CONDENSATE PAN ASSEMBLY	14
CONDENSER COIL	14
CONDENSER MOTOR/BLADE	14
CONDENSING UNIT	14
DEFROST HEATER	14
DEFROST LIMIT SWITCH	13
DEFROST TIMER	13
EVAPORATOR COIL ASSEMBLY	14
EVAPORATOR DRAIN PAN	13
EVAPORATOR FAN MOTOR & BL	13
FRONT GRILL	13
LIDS & HANDLES	13
REFRIGERATION ASSEMBLY	14
SHELVES & RACKS	13
TEMPERATURE CONTROL	13
TOP RAIL ASSEMBLY & BREAK	13
<b>220V/50HZ SECTION</b>	
	<b>15</b>

# CABINET COMPONENTS



# DOORS

## BB/BM/DD/MS

ILLUS #	MODEL	DESCRIPTION	PART #
1	BB48/48R	DOOR ASSEMBLY RIGHT HAND ( BROWN VINYL)	02B01-076D
		DOOR ASSEMBLY LEFT HAND (BROWN VINYL)	02B01-080D
		DOOR ASSEMBLY RIGHT HAND ( BLACK VINYL)	02B01-077D
		DOOR ASSEMBLY LEFT HAND ( BLACK VINYL)	02B01-081D
		DOOR ASSEMBLY RIGHT HAND (GREY PAINTED)	02B01-074D
		DOOR ASSEMBLY LEFT HAND (GREY PAINTED)	02B01-078D
		DOOR ASSEMBLY RIGHT HAND (STAINLESS STEEL)	02B01-075D
		DOOR ASSEMBLY LEFT HAND (STAINLESS STEEL)	02B01-079D
	BB72/72R	DOOR ASSEMBLY RIGHT HAND ( BROWN VINYL)	02B01-084D
		DOOR ASSEMBLY LEFT HAND (BROWN VINYL)	02B01-088D
		DOOR ASSEMBLY RIGHT HAND ( BLACK VINYL)	02B01-085D
		DOOR ASSEMBLY LEFT HAND ( BLACK VINYL)	02B01-089D
		DOOR ASSEMBLY RIGHT HAND (GREY PAINTED)	02B01-082D
		DOOR ASSEMBLY LEFT HAND (GREY PAINTED)	02B01-086D
		DOOR ASSEMBLY RIGHT HAND (STAINLESS STEEL)	02B01-083D
		DOOR ASSEMBLY LEFT HAND (STAINLESS STEEL)	02B01-087D
	DD50/50C/50R	DOOR ASSEMBLY RIGHT HAND ( BROWN VINYL)	02B36-021D
		DOOR ASSEMBLY LEFT HAND (BROWN VINYL)	02B36-024D
		DOOR ASSEMBLY RIGHT HAND ( BLACK VINYL)	02B36-043D
		DOOR ASSEMBLY LEFT HAND ( BLACK VINYL)	02B36-044D
		DOOR ASSEMBLY RIGHT HAND (GREY PAINTED)	02B36-023D
		DOOR ASSEMBLY LEFT HAND (GREY PAINTED)	02B36-026D
		DOOR ASSEMBLY RIGHT HAND (STAINLESS STEEL)	02B36-022D
		DOOR ASSEMBLY LEFT HAND (STAINLESS STEEL)	02B36-025D
	DD78	DOOR ASSEMBLY RIGHT HAND ( BROWN VINYL)	02B36-027D
		DOOR ASSEMBLY LEFT HAND (BROWN VINYL)	02B36-030D
		DOOR ASSEMBLY RIGHT HAND ( BLACK VINYL)	02B36-045D
		DOOR ASSEMBLY LEFT HAND ( BLACK VINYL)	02B36-046D
		DOOR ASSEMBLY RIGHT HAND (GREY PAINTED)	02B36-029D
		DOOR ASSEMBLY LEFT HAND (GREY PAINTED)	02B36-032D
		DOOR ASSEMBLY RIGHT HAND (STAINLESS STEEL)	02B36-028D
		DOOR ASSEMBLY LEFT HAND (STAINLESS STEEL)	02B36-031D
	DD94-BB94	DOOR ASSEMBLY RIGHT HAND ( BROWN VINYL)	02B36-037D
		DOOR ASSEMBLY LEFT HAND (BROWN VINYL)	02B36-040D
		DOOR ASSEMBLY RIGHT HAND ( BLACK VINYL)	02B36-041D
		DOOR ASSEMBLY LEFT HAND ( BLACK VINYL)	02B36-042D
		DOOR ASSEMBLY RIGHT HAND (STAINLESS STEEL)	02B36-036D
		DOOR ASSEMBLY LEFT HAND (STAINLESS STEEL)	02B36-039D
	BB58/58E/58R BB68/78E/78R DD58/58C/58E DD78/78E/78R MS58/68	DOOR ASSEMBLY RIGHT HAND ( BROWN VINYL)	02B36-037D
		DOOR ASSEMBLY LEFT HAND (BROWN VINYL)	02B36-040D
DOOR ASSEMBLY RIGHT HAND ( BLACK VINYL)		02B36-041D	
DOOR ASSEMBLY LEFT HAND ( BLACK VINYL)		02B36-042D	
DOOR ASSEMBLY RIGHT HAND (GREY PAINTED)		02B36-035D	
DOOR ASSEMBLY LEFT HAND (GREY PAINTED)		02B36-038D	
DOOR ASSEMBLY RIGHT HAND (STAINLESS STEEL)		02B36-036D	
DOOR ASSEMBLY LEFT HAND (STAINLESS STEEL)		02B36-039D	

**DOORS**  
**BB/DD/MS(CONTINUED)**

ILLUS #	MODEL	DESCRIPTION	PART #
2	BB48/48R	DOOR GASKET	703-677C
	BB72/72R	DOOR GASKET	703-678C
	DD50/50C/50R	DOOR GASKET	703-583C
	DD78	DOOR GASKET	703-587C
	DD/BB94	DOOR GASKET	703-372CAA
	BB58/58E/58R	DOOR GASKET	703-372CAA
	BB68/78E/78R	DOOR GASKET	703-372CAA
	DD58/58C/58E	DOOR GASKET	703-372CAA
	DD78/78E/78R	DOOR GASKET	703-372CAA
	MS58/68	DOOR GASKET	703-372CAA
3	ALL-DD/BB/MS	CYLINDER LOCK ASSEMBLY	28B04-001AAA
4	ALL-DD/BB/MS	CYLINDER LOCK BUSHING	00A30-110A
5	ALL-DD/BB/MS	CYLINDER LOCK CAM	401-567A
6	ALL-DD/BB/MS	CYLINDER LOCK WITH KEYS	401-049AAA
7	ALL-DD/BB/MS	CYLINDER LOCK EXTENSION	401-126A
8	ALL-DD/BB/MS	CYLINDER LOCK SCREW	603-181AAA
9	ALL-DD/BB/MS	CYLINDER LOCK KEYS (2298)	401-051A--
10	BB48/48R/72/72R	DOOR HANDLE PACKAGE	28D04-006B
	DD50/50C/50R	DOOR HANDLE PACKAGE	29B02-006A
	BB58/58E/58R	DOOR HANDLE PACKAGE	29B02-004A
	DD/BB68/68C/68R	DOOR HANDLE PACKAGE	29B02-006A
	DD/BB78/78E/78R	DOOR HANDLE PACKAGE	29B02-007A
	MS58/68	DOOR HANDLE PACKAGE	29B02-004A
	DD/BB94	DOOR HANDLE PACKAGE	29B02-007A
11	ALL-DD/BB/MS	DOOR HANDLE	401-138A--
12	ALL-DD/BB/MS	DOOR HANDLE SCREW	603-192A--
13	ALL-DD/BB/MS	DOOR HINGE-RH-(TOP & BOTTOM)	13B01-005A
	ALL-DD/BB/MS	DOOR HINGE-LH-(TOP & BOTTOM)	13B01-004A
14	ALL-DD/BB/MS	DOOR HINGE BUSSING (NYLON)	703-179A--
15	DD50C/58C/68C	WIRE RACK(BASKET) FOR CLUB TOP ONLY	403-229D
	DD50C/68C	HORIZONTAL SHELF FOR CLUB TOP ONLY	403-215D
	BB58/58E/DD58/58E	HORIZONTAL SHELF 22" X 24-1/4"	403-218D
	BB58/58E/DD58/58E &	HORIZONTAL SHELF 22" X 31"	403-249D
	BB68/DD68	HORIZONTAL SHELF 22" X 32"	403-217D
	BB78E/DD78E & BB94	HORIZONTAL SHELF 22" X 24-1/4"	403-216D
	BB94	HORIZONTAL SHELF 34" X 22"	403-690D-01
16	ALL-DD/BB/MS	PILASTER (15" LONG)	403-154C
17	ALL-DD/BB/MS	PILASTER SCREW	603-304A
	ALL-DD/BB/MS	SHELF CLIP	403-168A

**CABINET COMPONENTS**

**FOR SERIAL NUMBERS 8116063 TO 4311829**

18	BB48/48R/72/72R	FRONT GRILL (BROWN VINYL)	28D37-050D
	BB48/48R/72/72R	FRONT GRILL (BLACK VINYL)	28D37-051D
	BB48/48R/72/72R	FRONT GRILL (GRAY PAINTED)	28D37-048D
	BB48/48R/72/72R	FRONT GRILL (STAINLESS STEEL)	28D37-049D
	BB58/58E/58R	FRONT GRILL ( BROWN VINYL)	07B01-010C
	BB68	REAR GRILL (BROWN VINYL)	07B01-013C
	DD50/50C/50R	FRONT GRILL (BLACK VINYL)	07B01-015C
	DD58/58C/58E/58R	REAR GRILL (BLACK VINYL)	07B01-016C
	DD68/68C78/78E	FRONT GRILL (GRAY PAINTED)	07B01-009C
	DD78R/MS58/68	REAR GRILL (GRAY PAINTED)	07B01-012C
		FRONT GRILL (STAINLESS STEEL)	07B01-011C
		REAR GRILL (STAINLESS STEEL)	07B01-014C

**CABINET COMPONENTS (CONTINUED)**  
**FOR SERIAL NUMBERS 4311829 THRU CURRENT**

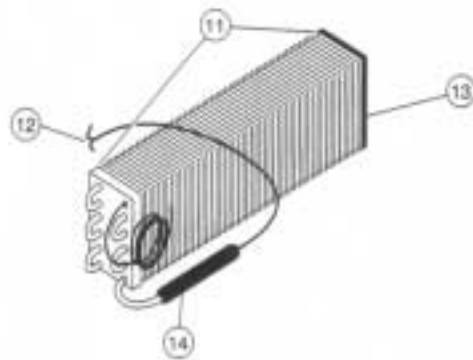
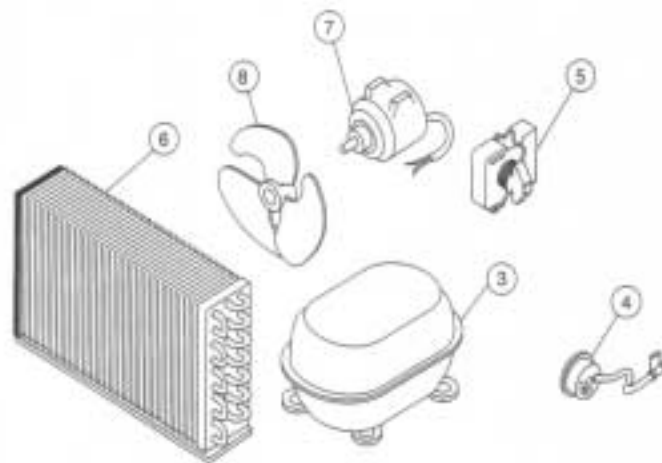
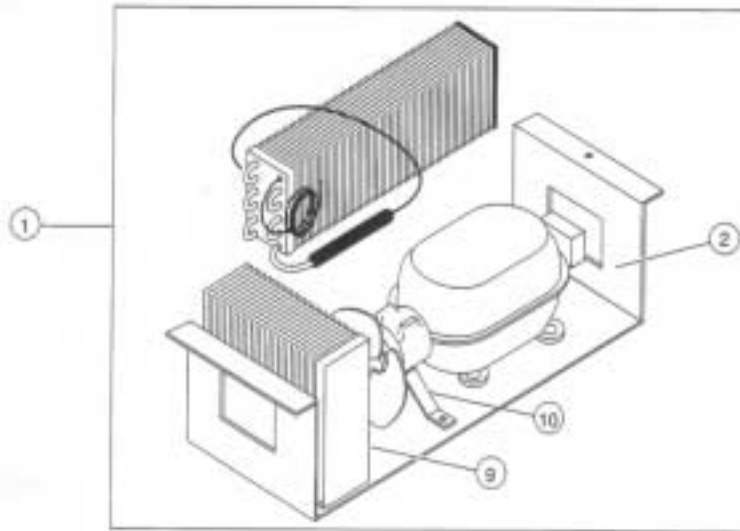
ILLUS #	MODEL	DESCRIPTION	PART #
18	BB48/48R/72/72R	FRONT GRILL (BROWN VINYL)	28D37-050D
	BB48/48R/72/72R	FRONT GRILL (BLACK VINYL)	<a href="#">28D37-051D</a>
	BB48/48R/72/72R	FRONT GRILL (GRAY PAINTED)	28D37-048D
	BB48/48R/72/72R	FRONT GRILL (STAINLESS STEEL)	<a href="#">28D37-049D</a>
	BB58/58E/58R/BB-DD9	FRONT & REAR (BROWN VINYL)	<a href="#">28D37-079C-06</a>
	BB68	FRONT & REAR (BLACK VINYL)	<a href="#">28D37-079C-07</a>
	DD50/50C/50R	FRONT & REAR (STAINLESS STEEL)	<a href="#">28D37-079C-05</a>
	DD58/58C/58E/58R	FRONT & REAR (UNPAINTED)	<a href="#">28D37-079C-01</a>
	DD68/68C/78/78E		
DD78R/MS58/68			
19	DD78	EXTERIOR DRAIN ASSEMBLY	06B01-014C
	DD78E/78C/78R	EXTERIOR DRAIN ASSEMBLY	06B01-015C
	DD50/50C/50R	EXTERIOR DRAIN ASSEMBLY	06B01-011BAA
	DD68/68C	EXTERIOR DRAIN ASSEMBLY	06B01-011BAA
	DD58/58E/58C	EXTERIOR DRAIN ASSEMBLY	06B01-011BAA
	DD94	EXTERIOR DRAIN ASSEMBLY	06B01-014C
20	BB48/72	CONDENSATE DRAIN PAN	08B30-037C
	BB68/78/94	CONDENSATE DRAIN PAN	08B30-024C
	MS58/68	CONDENSATE DRAIN PAN	08B30-024C
21	ALL DD/BB	KICK PLATE PROTECTOR	<a href="#">28A89-003BAA</a>
22	ALL DD/BB/MS	NAME PLATE (Beverage-Air)	<a href="#">806-147B</a>
23	DD50/50E	TOP ASSEMBLY	03B01-083D
	DD58/58E/58R	TOP ASSEMBLY	03B01-082D
	DD68/68E/68R	TOP ASSEMBLY	03B01-081D
	DD78/78E/78R	TOP ASSEMBLY	03B01-080D
	DD94	TOP ASSEMBLY	03B01-184D-01
	MS68	TOP ASSEMBLY	03B01-012D
	DD50C	TOP RAIL & BACK BOARD ASSEMBLY	03B30-046D
	DD58C	TOP RAIL & BACK BOARD ASSEMBLY	28B31-014D
	DD68C	TOP RAIL & BACK BOARD ASSEMBLY	28B31-015D
24	DD50C/58C/68C	LID ASSEMBLY	02B34-016CAD
25	DD50C/58C/68C	LID HANDLE	<a href="#">703-342C</a>
26	DD50C/58C/68C	LID HANDLE SCREW	<a href="#">603-024A--</a>
27	DD50C/58C/68C	LID RAIL BREAKER (RIGHT HAND)	<a href="#">28A39-048BAC</a>
		LID RAIL BREAKER (LEFT HAND)	<a href="#">28A39-049BAC</a>
		LID RAIL BREAKER (FRONT)	<a href="#">28A39-060B</a>
28	DD50/50C/58/58C DD68/78E/78R DD94	DRAWN DRAIN PAN (15"X5-11/16")	<a href="#">28A06-001C</a>
	DD68C	DRAWN DRAIN PAN (23-1/8" X 5-11/16")	<a href="#">28A06-002C</a>
29	DD50/50C DD58/58C/58R/58E DD68 DD78/78R/78E DD94	DRIP TRAY (LOUVERED) (14-1/2" X 5-1/8")	<a href="#">28A06-004C</a>
	DD68C	DRIP TRAY (LOUVERED)	<a href="#">28A06-005C</a>
30	DD50/50C DD94	DRAFT ARM (DUAL ANGLE) (3" DIAMETER)	<a href="#">406-047A</a>
	DD58/58C/58E/58R DD68/68C/68E/68R DD78/78C/78E/78R	DRAFT ARM (SINGLE ) (3" DIAMETER)	<a href="#">406-017A--</a>
31	ALL DD MODELS	TOP CAP (MUST SPECIFY 2" OR 3" DRAFT ARM)	<a href="#">406-052A</a>
32	ALL DD MODELS	BEER FAUCET (SINGLE)	<a href="#">406-010A--</a>
33	ALL DD MODELS	BEER FAUCET (HANDLE)	<a href="#">406-012A--</a>

NOTE: If draft arms are not used, order umbrella plug ([00C10-006A](#))

**CABINET COMPONENTS (CONTINUED)  
FOR SERIAL NUMBERS 4311829 THRU CURRENT**

ILLUS #	MODEL	DESCRIPTION	PART #
34	BB48/48R/72/72R	BLOWER HOUSING COMPLETE	04B30-085D
	BB58/58E/58R BB68 BB78/78E/78R DD50/50C/50R DD58/58C/58E/58R DD68/68C DD78/78E/78R DD94 MS58/68	BLOWER HOUSING COMPLETE	04B30-078D
35	BB48/48R/72/72R	HOUSING ONLY	04A02-176C
	BB58/58E/58R BB68 BB78/78E/78R DD50/50C/50R DD58/58C/58E/58R DD68/68C DD78/78E/78R DD94 MS58/68	HOUSING ONLY	04B02-073D
36	ALL MODELS	EVAPORATOR FAN MOTOR KIT	63C31-001A
37	ALL MODELS	EVAPORATOR FAN MOTOR (.65 AMPS 120-60)	501-076A
38	ALL MODELS	EVAPORATOR FAN BLADE 6"WHITE (4PET VALOX)	405-062A
39	ALL MODELS	EVAPORATOR MOTOR BRACKET	42A37-011B
40	ALL MODELS	EVAPORATOR FAN GUARD	403-698B
41	ALL MODELS	DRAIN FLANGE	205-150A
42	ALL MODELS	DRAIN FLANGE ADAPTER	205-151A
43	BB48/48R/72/72R	TEMPERATURE CONTROL	502-290B
	BB58/58E/58R BB68 BB78/78E/78R DD50/50C/50R DD58/58C/58E/58R DD68/68C DD78/78E/78R DD94 MS58/68	TEMPERATURE CONTROL	502-289B
44	ALL DD	AIR HOSE (VINYL 1")	703-100A--
45	ALL DD	AIR HOSE HANGER	401-184A
46	DD50/50C	CO2 MANIFOLD ASSEMBLY (TWO - WAY)	28B07-015CAA
	DD58/58C		
	DD58E	CO2 MANIFOLD ASSEMBLY (THREE - WAY)	28B07-014CAA
	DD68/68E		
DD78/78E/78R	CO2 MANIFOLD ASSEMBLY (FOUR - WAY)	28B07-013CAA	
47	ALL MODELS	LIGHT SOCKET	503-048A--
48	ALL MODELS	LIGHT BULB (INC) 25W 25T10	503-053A--
49	ALL MODELS	LIGHT SWITCH	502-042A--

# REFRIGERATION COMPONENTS





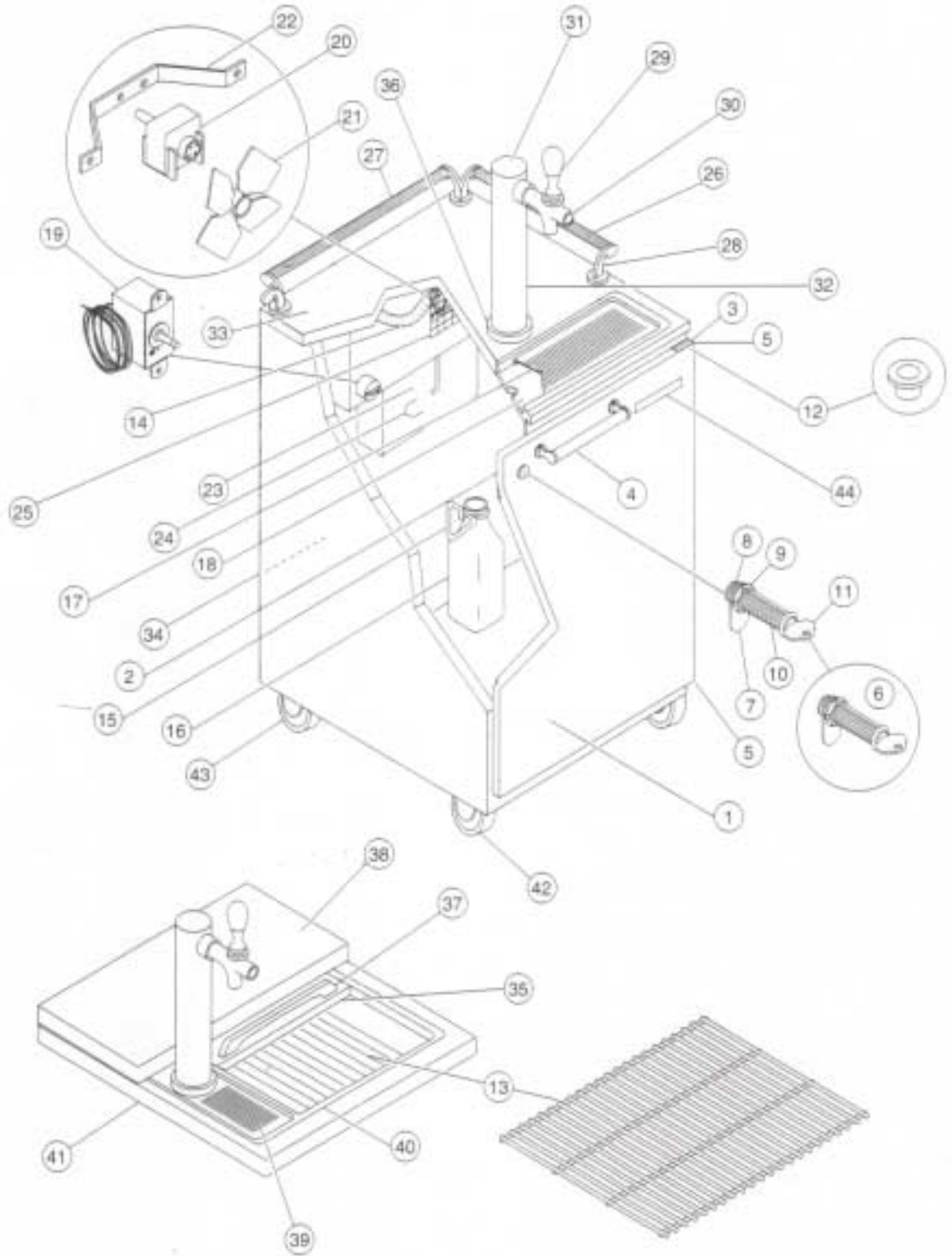
**REFRIGERATION COMPONENTS  
FOR SERIAL NUMBERS 4311829 THRU CURRENT**

ILLUS #	MODEL	DESCRIPTION	PART #
1	BB48/72	REFRIGERATION SYSTEM	19C30-079D
	BB58E/DD58E	REFRIGERATION SYSTEM	19B01-018D
	BB78E/DD78E	REFRIGERATION SYSTEM	19B01-016D
	BB58/68 DD50/50C DD58/58C DD68/68C DD78 DD94	REFRIGERATION SYSTEM	19B01-014D
2	BB48/72	CONDENSING UNIT ASSEMBLY	15B01-042D
	BB58E/DD58E	CONDENSING UNIT ASSEMBLY	15C32-045D
	BB78E/DD78E	CONDENSING UNIT ASSEMBLY	15C32-045D
	BB58/68 DD50/50C DD58/58C DD68/68C DD78 DD94	CONDENSING UNIT ASSEMBLY	15B01-040D
3	BB48/72	COMPRESSOR 1/4HP 115-60 ASP( E5170Z)	302-784B
	BB58/58E BB68/78 DD50/50C DD68/68C/78 MS58/68	COMPRESSOR 1/3HP 115-60 SIC(AE3440YXA)	302-804B
4	BB48/72	OVERLOAD (TI) MRT26AKK-3001	302-785A
	BB58/58E BB68/78 DD50/50C DD68/68C/78 MS58/68	OVERLOAD (TI)MRT24AIK-69	302-911A
5	BB48/72	RELAY (TI) 9660-040-116	302-786A
	BB58/58E BB68/78 DD50/50C DD68/68C/78 MS58/68	RELAY (TI) 9660 042 182	302-350A
6	BB48/72	CONDENSER COIL (6"X10-15/16"X4")	305-098C
	BB58E/DD58E	CONDENSER COIL (11-5/16"X7-7/8X3")	305-049C
	BB78E/DD78E	CONDENSER COIL (11-5/16"X7-7/8X3")	305-049C
	BB58/68 DD50/50C DD58/58C DD68/68C DD78 DD94	CONDENSER COIL (5-5/16X7-7/8X4)	305-059C
7	ALL BB/DD	CONDENSER FAN MOTOR	501-148B
8	BB48/72	CONDENSER FAN BLADE 7.75" (3 PET ALUM)	405-052A
	BB58E/DD58E BB78/DD78	CONDENSER FAN BLADE 7.75" (3 PET ALUM)	405-012A--
	BB58/68 DD50/50C DD58/58C DD68/68C DD78 DD94	CONDENSER FAN BLADE 7.75" (3 PET ALUM)	405-012A--
9	ALL BB/DD	DRYER	303-143A
10	BB48/72	CONDENSER MOTOR BRACKET	408-004A
	BB58/58E BB68/78 DD50/50C DD68/68C/78 DD94 MS58/68	CONDENSER MOTOR BRACKET	408-003A

**REFRIGERATION COMPONENTS**  
**FOR SERIAL NUMBERS 4311829 THRU CURRENT (CONTINUED)**

ILLUS #	MODEL	DESCRIPTION	PART #
11	BB48/72	EVAPORATOR COIL ASSEMBLY	20B30-082D
	BB58E/DD58E	EVAPORATOR COIL ASSEMBLY	15B02-002CBC
	BB58/68 DD50/50C/58/58C DD68/68C/78 DD94	EVAPORATOR COIL ASSEMBLY	<a href="#">20B30-037CAA</a>
	DD58R/DD78R	EVAPORATOR COIL ASSEMBLY	19B31-012D-01
	BB48/72R	EVAPORATOR COIL ASSEMBLY	19B31-011D
	12	BB48/72	SUCTION LINE/CAPILLARY TUBE ASSEMBLY
BB58E/78E DD58E/78E		SUCTION LINE/CAPILLARY TUBE ASSEMBLY	15A33-023A
BB58/68 DD50/50C/58/58C DD68/68C/78 DD94		SUCTION LINE/CAPILLARY TUBE ASSEMBLY	<a href="#">20B35-037CAA</a>
DD58R/DD78R		SUCTION LINE ASSEMBLY	19B30-034D-01
BB48/72R		SUCTION LINE ASSEMBLY	19B30-033D
13		BB48/72	EVAPORATOR COIL (16"X6"X3")
	BB58E/DD58E		
	BB58/68 DD50/50C/58/58C DD68/68C/78 DD94	EVAPORATOR COIL (24"X4"X3")	<a href="#">305-073CAC</a>
	DD58R/DD78R	EVAPORATOR COIL (24"X4"X3")	<a href="#">305-073CAC</a>
	BB48/72R	EVAPORATOR COIL (16"X6"X3")	<a href="#">305-099C</a>
	14	BB48/72 BB48R/72R	ACCUMULATOR
BB58/58E/58R BB68/78/78E/78R DD50/50C/50R DD58/58C/58E/58R DD78/78R DD94 MS58/68		ACCUMULATOR	<a href="#">303-012A</a>

# BM23-SECTION CABINET COMPONENTS

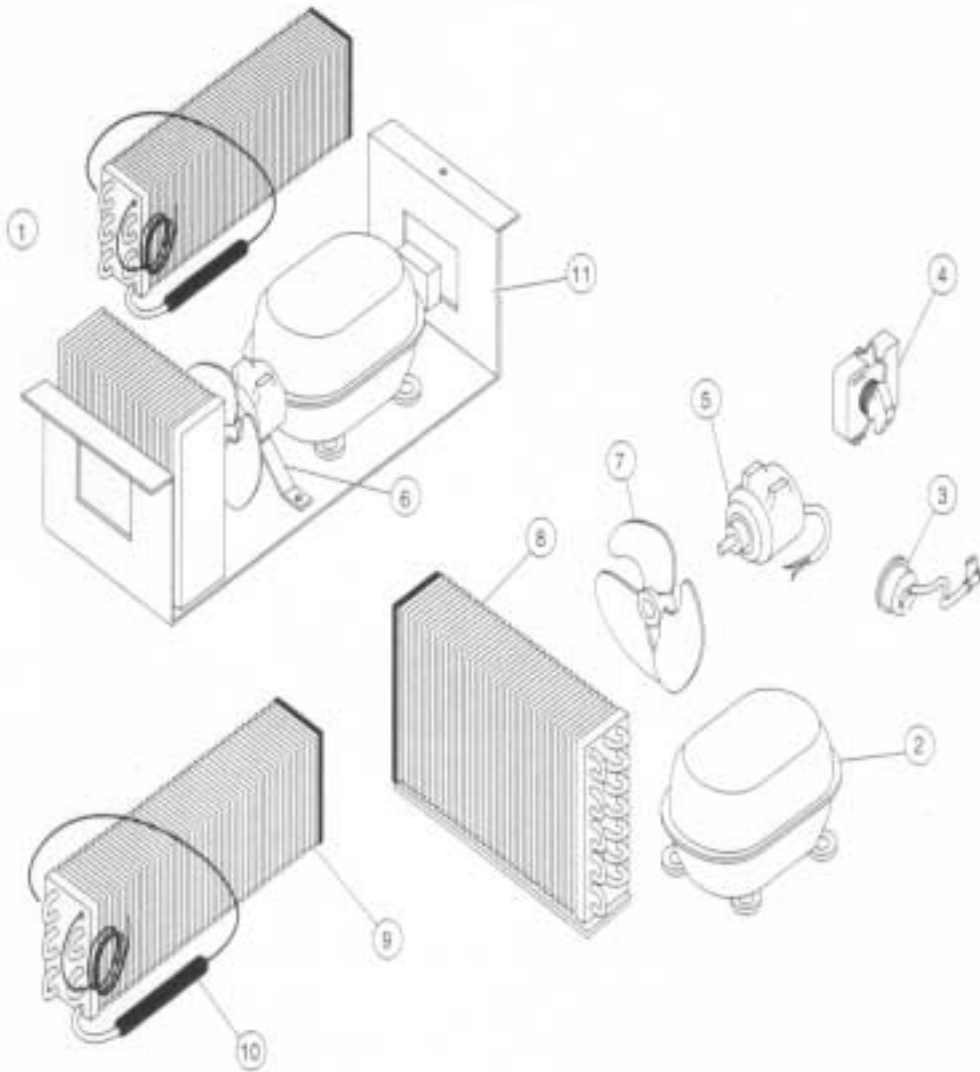


## BM23 CABINET COMPONENTS

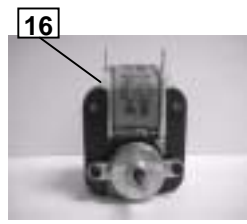
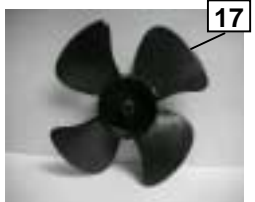
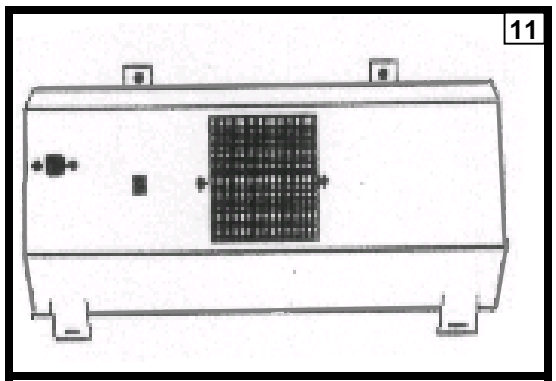
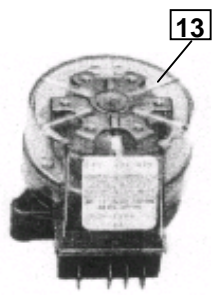
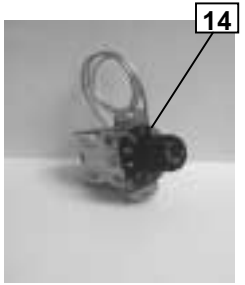
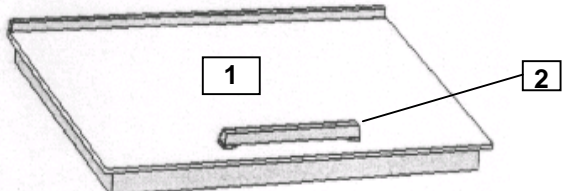
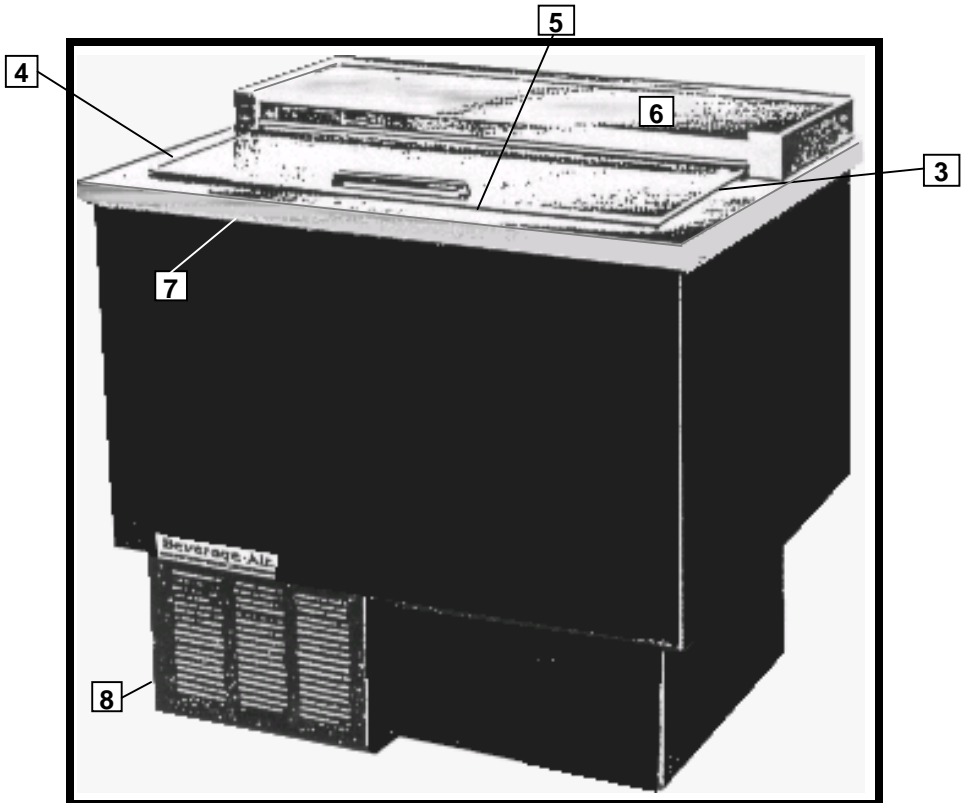
ILLUS #	MODEL	DESCRIPTION	PART #
1	BM23/23C	DOOR ASSEMBLY-BROWN VINYL	02B01-054D
		DOOR ASSEMBLY-STAINLESS STEEL	02B01-053D
		DOOR ASSEMBLY-BLACK VINYL	02B01-070D
2	BM23/23C	DOOR GASKET	703-195CAA
3	BM23/23C	DOOR HINGE (TOP/BOT-LEFT/RIGHT)	13B01-005A
4	BM23/23C	DOOR HANDLE (PACKAGE)	29B02-003A
5	BM23/23C	DOOR HINGE OFFSET	13A04-004A
6	BM23/23C	DOOR LOCK ASSEMBLY	28B04-001AAA
7	BM23/23C	DOOR LOCK CAM	401-567A
8	BM23/23C	DOOR LOCK SCREW (NYLON)	603-181AAA
9	BM23/23C	LOCK EXTENSION	401-126A
10	BM23/23C	LOCK WITH KEYS	401-049AAA
11	BM23/23C	KEYS	401-051A--
12	BM23/23C	DOOR HINGE BUSHING	00A30-110A
13	BM23/23C	SHELF (15.5"X19.63")	403-213D
14	BM23/23C	AIR HOSE	401-193A
15	BM23/23C	DRAIN BOTTLE ASSEMBLY	28B02-011C
16	BM23/23C	WASTE BOTTLE	403-093A
17	BM23	DRIP TRAY	28A06-004C
18	BM23	DRAWN DRAIN PAN	28A06-001C
19	BM23/23C	TEMPERATURE CONTROL	502-290B
20	BM23/23C	EVAPORATOR FAN MOTOR(.2 AMPS 115-60)	501-137B
21	BM23/23C	EVAPORATOR MOTOR BLADE	405-043A
22	BM23/23C	EVAPORATOR MOTOR BRACKET	04A42-015B-03
23	BM23/23C	BLOWER HOUSING ONLY	04A02-325C-03
24	BM23/23C	BLOWER HOUSING COMPLETE	04B01-068C-01
25	BM23/23C	PLASTIC FAN GUARD	703-369C
26	BM23/23C	GLASS RAIL END	401-135BAA
27	BM23/23C	GLASS RAIL RAIL REAR	401-136BAA
28	BM23/23C	GLASS RAIL SPACER	401-138A--
29	BM23/23C	BEER FAUCET HANDLE	406-012A--
30	BM23/23C	BEER FAUCET SPOUT	406-010A--
31	BM23/23C	CAP FOR COLUMN (2-1/2")	406-052A
32	BM23/23C	DRAFT ARM (2-1/2")	406-004A--
33	BM23	TOP ASSEMBLY	24B41-021C
34	BM23	UNIT HOUSING COVER-BROWN VINYL	28D30-068B
		UNIT HOUSING COVER-STAINLESS STEEL	28D30-066D
		UNIT HOUSING COVER-BLACK VINYL	28D30-067B
35	BM23-C	LID ASSEMBLY BM23-C ONLY	02B34-014CAD
36	BM23/23C	BEER HOSE/W-SHRADER FITTING 48"	402-069A--
37	BM23-C	LID HANDLE	703-342C
38	BM23-C	TOP BACK BORED ASSEMBLY-BM23C ONLY	24B41-011DAC
39	BM23-C	DRIP TRAY	00A34-034BBC
40	BM23-C	DRAWN DRAIN PAN	28B30-004CCD
41	BM23-C	TOP RAIL ASSEMBLY	24B41-012CAB
42	BM23/23C	SWIVEL CASTER WITH BRAKE	401-068A--
43	BM23/23C	SWIVEL CASTER WITHOUT BRAKE	401-069A--
44	BM23/23C	NAME PLATE	806-147B

## BM23 REFRIGERATION COMPONENTS

ILLUS #	MODEL	DESCRIPTION	PART #
1	BM23/23C	REFRIGERATION SYSTEM	19C30-067D
2	BM23/23C	COMPRESSOR 1/5HP 115-60 SIC AZA0395YXA	<a href="#">302-676B</a>
3	BM23/23C	OVERLOAD (TI) (MRP40AJN-69)	<a href="#">302-918A</a>
4	BM23/23C	RELAY (TI) (9660-071-161)	<a href="#">302-677A</a>
5	BM23/23C	CONDENSER FAN MOTOR (5 WATTS 115-60)	<a href="#">501-019B</a>
6	BM23/23C	CONDENSER MOTOR BRACKET	<a href="#">26A51-021BAC</a>
7	BM23/23C	CONDENSER FAN BLADE 6" (4 PET ALUM)	<a href="#">405-010A--</a>
8	BM23/23C	CONDENSER COIL (4-1/2"X6-7/8"X3")	<a href="#">305-047C</a>
9	BM23/23C	EVAPORATOR COIL (16"X6"X2")	<a href="#">305-074CAB</a>
10	BM23/23C	ACCUMULATOR	<a href="#">303-010A--</a>
11	BM23/23C	CASTER/UNIT BASE	26B30-030C

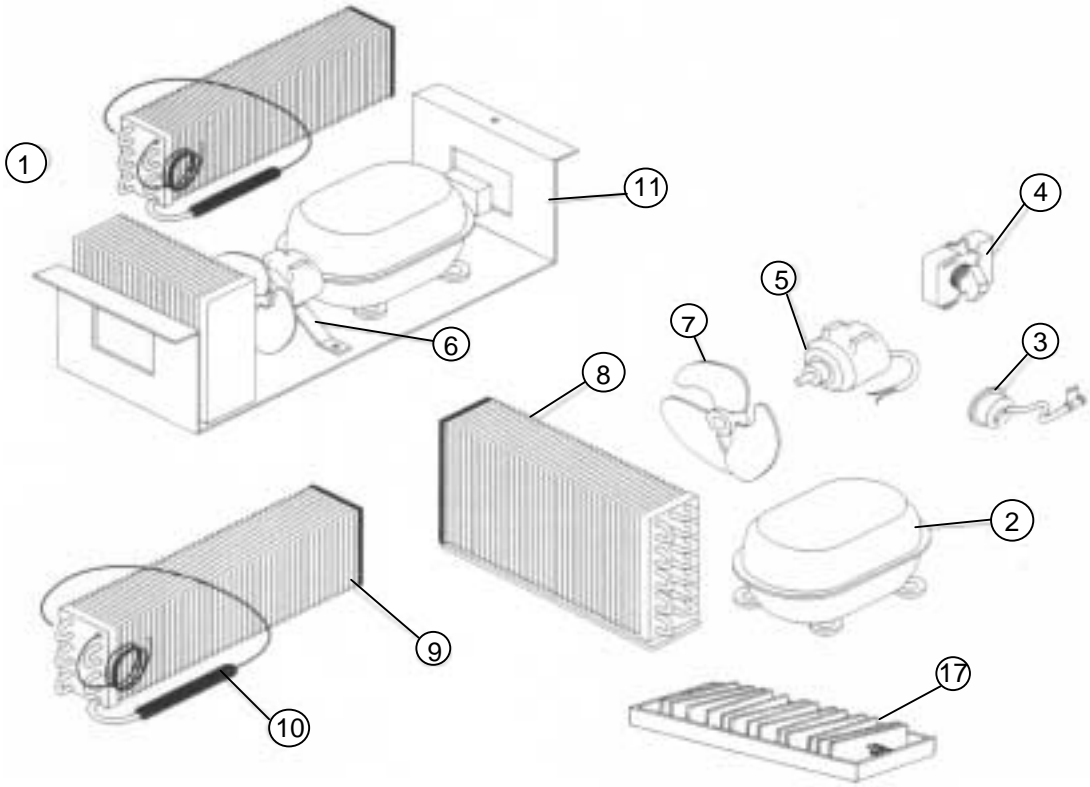


# GF24/34/48-SECTION CABINET COMPONENTS



**GF24/34/48  
CABINET COMPONENTS**

ILLUS #	MODEL	DESCRIPTION	PART #
1	GF24	LID/STAINLESS STEEL	02B31-024D
	GF34	LID/STAINLESS STEEL	02B31-013D
	GF48	LID/ LH STAINLESS STEEL	02B31-039D
	GF48	LID/ RH STAINLESS STEEL	02B31-040D
2	ALL GF	LID HANDLE	703-342C
3	GF24/34/48	TOP RAIL BREAKER-R/H	28D35-037B
4	GF24/34/48	TOP RAIL BREAKER-L/H	28D35-038B
5	GF24	TOP RAIL BREAKER/ FRONT	28D35-076B
	GF34	TOP RAIL BREAKER/ FRONT	28D35-031BAC
	GF48	TOP RAIL BREAKER/ FRONT	03B30-077C
6	GF24	BACKBOARD	03B29-001D-01
	GF34	BACKBOARD	03B29-001D-03
	GF48	BACKBOARD	03B29-001D-02
7	GF24	TOP RAIL ASSEMBLY	01B30-031D
	GF34	TOP RAIL ASSEMBLY	01B30-021CDD
	GF48	TOP RAIL ASSEMBLY	01B30-036D
8	GF24/34/48	FRONT GRILL	07B30-020B
	GF24/34/48	REAR GRILL	07B30-021B
9	GF24/34/48	SHELF/TOP(14"X17.38")	403-104D
10	GF24	BOTTOM RACK (21.75"X19")	403-310D
	GF34/48	BOTTOM RACK (21.25"X28")	403-105D
11	GF24	BLOWER ASSEMBLY	04B30-127D-01
	GF34	BLOWER ASSEMBLY	04B30-128D-01
	GF48	BLOWER ASSEMBLY	04B30-129D-01
12	GF24	EVAPORATOR DRAIN PAN	23B03-002C
	GF34	EVAPORATOR DRAIN PAN	23B03-001C
	GF48	EVAPORATOR DRAIN PAN	23B03-004C
13	GF24/34/48	DEFROST TIMER	502-171A
14	GF24/34/48	TEMPERATURE CONTROL	502-067ABB
15	GF24/34/48	DEFROST LIMIT SWITCH	502-089A
16	GF24/34/48	EVAP. FAN MOTOR (.21 AMPS 115-60)	501-138B
17	GF24/34/48	EVAP. FAN BLADE	405-043A
18	GF24/34/48	EVAP. MOTOR BRACKET	04A42-006B





**GF24/34/48**  
**REFRIGERATION COMPONENTS**

ILLUS #	MODEL	DESCRIPTION	PART #
1	GF24	REFRIGERATION SYSTEM	19B36-067D-01
	GF34	REFRIGERATION SYSTEM	19B36-068D-01
	GF48	REFRIGERATION SYSTEM	<a href="#">19B36-069D-01</a>
2	GF24	CONDENSING UNIT	19B34-027D-01
	GF34/48	CONDENSING UNIT	19B34-028D-01
3	GF24/34/48	COMPRESSOR1/3HP 115-60 TEC- AEA2411ZXA	<a href="#">302-943B</a>
4	GF24/34/48	RELAY	<a href="#">302-963A</a>
5	GF24/34/48	OVERLOAD	<a href="#">313-004A</a>
6	GF24/34/48	CAP/RELAY ASSEMBLY	<a href="#">317-004A</a>
7	GF24	CONDENSER COIL (4-1/2"X6-7/8"X3")	<a href="#">305-047C</a>
	GF34/48	CONDENSER COIL (7-3/8"X7-7/8"X3")	<a href="#">305-054C</a>
8	GF24/34/48	CONDENSER FAN MOTOR (5 WATTS 115-60)	<a href="#">501-019B</a>
9	GF24/34/48	CONDENSER FAN BLADE 6.75" (3 PET ALUM)	<a href="#">405-015A--</a>
10	GF24/34/48	DRYER	<a href="#">303-143A</a>
11	GF24	EVAPORATOR COIL ASSEMBLY	19B31-005D-01
	GF34	EVAPORATOR COIL ASSEMBLY	19B31-006D-01
	GF48	EVAPORATOR COIL ASSEMBLY	19B31-007D-01
12	GF24	SUCTION LINE/CAP ASSEMBLY	19B30-023D
	GF34/48	SUCTION LINE/CAP ASSEMBLY	19B30-024D
13	GF24	CAPILLARY TUBE (.042ID X .092OD X 96")	<a href="#">203-131A</a>
	GF34/48	CAPILLARY TUBE (.042ID X .093OD X 144")	<a href="#">203-059A--</a>
14	GF24	DEFROST HEATER	<a href="#">504-574B</a>
	GF34	DEFROST HEATER	<a href="#">504-438B</a>
	GF48	DEFROST HEATER	<a href="#">504-513B</a>
15	GF24	EVAPORATOR COIL (15-1/4"X5"X3")	<a href="#">305-219C</a>
	GF34	EVAPORATOR COIL (25-1/4"X5"X3")	<a href="#">305-067C</a>
	GF48	EVAPORATOR COIL (39-1/4"X5"X3")	<a href="#">305-228C</a>
16	GF24/34/48	ACCUMULATOR	<a href="#">303-094A</a>
17	GF24/34/48	CONDENSATE PAN ASSEMBLY	<a href="#">08B30-026C</a>