

BEVERAGE-AIR

DW94/79/64/49/SF34



PARTS

MANUAL

115V/60HZ & 220V/50HZ

BEVERAGE-AIR

PARTS MANUAL

FOR

DW94/79/64/49

SF34

DW94/64/49 (-29)

(FROSTY BREW UNITS)



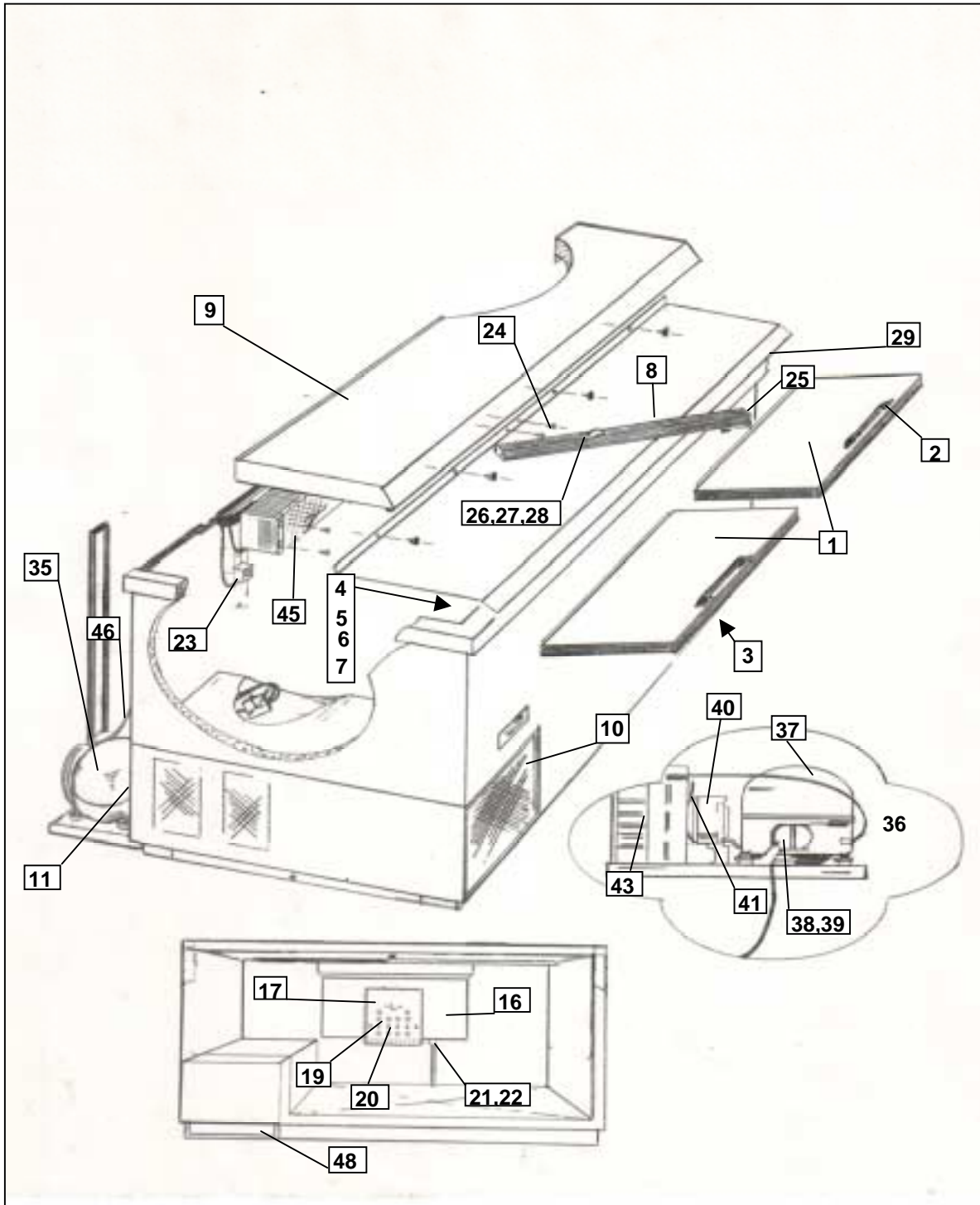
ALL PURPOSE COLD ®

2002

115V/60HZ

220V/50HZ

DW94/79/64/49/SF34
CABINET COMPONENTS & REFRIGERATION ASSEMBLY
(CURRENT UNITS)



DW94/79/64/49/SF34
115v/60hz

CABINET COMPONENTS			
ITEM	MODEL	DESCRIPTION	PART#
1	DW94/49	LID / SOLID/SS	02B31-015C
1	DW64/SF64	LID / SOLID/SS	02B31-013C
1	DW79	LID / SOLID/SS	02B31-014C
1	DW94/49	LID / GLASS	02B31-023B
1	DW64/SF64	LID/ GLASS	02B31-021B
1	DW79	LID/ GLASS	02B31-022B
2	ALL	LID HANDLE	703-342C
3	ALL	LID HANDLE SCREW	603-229A--
4	DW49	TOP RAIL BREAKER KIT	32C11-016A--
4	DW64	TOP RAIL BREAKER KIT	32C11-015A--
4	DW79	TOP RAIL BREAKER KIT	32C11-014A--
4	DW94	TOP RAIL BREAKER KIT	32C11-013A--
5	ALL	RAIL BREAKER L/H END	28D35-025B
6	ALL	RAIL BREAKER R/H END	28D35-026B
7	DW49	RAIL BREAKER / FRONT	28D35-035CAA
7	DW64	RAIL BREAKER / FRONT	28D35-034CAA
7	DW79	RAIL BREAKER / FRONT	28D35-033CAA
7	DW94	RAIL BREAKER / FRONT	28D35-023CAA
7	SF34	RAIL BREAKER / FRONT	28D35-031BAC
8	ALL BUT SF34	LID DIVIDER BAR	11B30-019CBC
9	DW49	BACKBOARD ASSEMBLY	03B30-001C-04
9	DW64	BACKBOARD ASSEMBLY	03B29-001C-05
9	DW79	BACKBOARD ASSEMBLY	03B29-001C-06
9	DW94	BACKBOARD ASSEMBLY	03B29-001D-07
9	SF34	BACKBOARD ASSEMBLY	03B29-001D-03
10	ALL BUT SF34	* FRONT GRILL P/G	07A41-032C
10	SF34	* FRONT GRILL P/G	07B31-041C
10	ALL BUT SF34	FRONT GRILL / VINYL	07A41-041C
10	SF34	FRONT GRILL/ VINYL	07B31-041C
10	ALL BUT SF34	FRONT GRILL / S/S	07A41-038C
11	ALL BUT SF34	* REAR GRILL P/G	07A41-033C
11	SF34	* REAR GRILL P/G	07B31-042C
11	ALL BUT SF34	REAR GRILL VINYL	07A41-042C
11	ALL	REAR GRILL / S/S	07A41-039C
12	ALL	**CAP CATCHER /WHITE	09B30-020C
12	ALL	**CAP CATCHER /BROWN	09B30-023C
12	ALL	**CAP CATCHER /GRAY	09B30-021C
12	ALL	**CAP CATCHER /RED	09B30-026C
12	ALL	**CAP CATCHER /BLACK	09B30-025C
13	ALL	**BOTTLE OPENER	401-031A--
14	ALL BUT SF34	**PRODUCT DIVIDER /STEP	403-114D
14	ALL BUT SF34	**PRODUCT DIVIDER	403-113D
15	ALL	**PROD. DIVIDER SPRING	401-090AAB
16	DW49	BLOWER HOUSING COMPLETE	04B30-029D
16	DW64	BLOWER HOUSING COMPLETE	04B30-028D
16	DW79	BLOWER HOUSING COMPLETE	04B30-040D
16	DW94	BLOWER HOUSING COMPLETE	04B30-039D
16	SF34	BLOWER HOUSING COMPLETE	04B30-014D

* MUST SPECIFY COLOR
** PARTS NOT ILLUSTRATED

220V/60HZ UNITS ARE AVAILABLE AS CUSTOMER SPECIAL.

DW94/79/64/49/SF34
115v/60hz

CABINET COMPONENTS(CONTINUED)			
ITEM	MODEL	DESCRIPTION	PART NUMBER
17	ALL	FAN HOUSING ASSY.	04B33-003C
18	ALL	**EVAP. MOTOR KIT	32C14-005A
19	ALL	EVAP. FAN BLADE 8" (5 PED)	405-033A
20	ALL	EVAP. MOTOR 9WATTS	501-100B
21	ALL	DRAIN FLANGE	205-150A
22	ALL	DRAIN FLANGE ADAPTER	205-151A
23	ALL	TEMPERATURE CONTROL	502-195A
24	ALL BUT SF34	LID DIVIDER SCREWS/REAR	601-011A
25	ALL BUT SF34	LID DIVIDER SCREWS /FRONT	601-025A--
26	ALL BUT SF34	BACKBOARD SPACER/ BLACK	703-350A-B
27	ALL BUT SF34	BACKBOARD SPACER/ WHITE	202-024A--
28	ALL BUT SF34	CENTER DIVIDER SCREW	603-190A-
29	ALL	BACKBOARD RETAINING CLIPS	59D06-001A
30	ALL	**WICK HOLDER /SPRING	401-113AAC
31	ALL	**WICKING	703-440A
32	ALL	**NAMEPLATE	806-147B
33	ALL	**PROBE TUBE	20A30-006A
34	ALL	**DRAIN HOSE CLAMP	604-078A--
REFRIGERATION ASSEMBLIES			
ITEM	MODEL	DESCRIPTION	PART NUMBER
35	DW64/49	REF. SYSTEM COMPLETE	19C30-071D
35	DW79/94	REF. SYSTEM COMPLETE	19C30-073D
35	SF34	REF. SYSTEM COMPLETE	19B30-077D
36	DW64/49	CONDENSING UNIT ASSY.	15B33-047D
36	DW79/94	CONDENSING UNIT ASSY.	15B33-049D
36	SF34	CONDENSING UNIT ASSY.	15B32-043D
37	DW64/49	COMPRESSOR 1/3 HP AE3440Y	302-804B
37	DW79/94	COMPRESSOR 1/2 HP AK4476Y	302-626B
37	SF34	COMPRESSOR 1/5 HP AE3425Y	302-614B
38	DW64/49	COMP. OVERLOAD(TI) MRT24AIK-69	302-911A
38	DW79/94	COMP. OVERLOAD (NA)	302-439A
38	SF34	COMP. OVERLOAD(TI) MRT24AIK-69	302-615A
39	DW64/49	COMP. RELAY (TI)9660-042-182	302-350A
39	DW79/94	COMP. RELAY(GE)34RR2-KCR181S	302-290A
39	SF34	COMP. RELAY (TI)9660-042-166	302-617A
40	ALL	CONDENSER FAN MOTOR	501-118B
41	ALL BUT SF34	CONDENSER FAN BLADE	405-012A--
41	SF34	CONDENSER FAN BLADE	405-015A--
42	DW64/49	**CONDENSER MOTOR BKT.	408-003A
42	DW79/94	**CONDENSER MOTOR BKT.	408-004A
43	DW64/49	CONDENSER COIL(11-5/16X7-7/8X3)	305-049C
43	DW79/94	CONDENSER COIL (11X10-7/8X5-9/16)	305-050C
43	SF34	CONDENSER COIL (7-3/8X7-7/8X3)	305-054C
44	DW64/49	EVAP. COIL ASSY.	20B30-109C
44	DW79/94	EVAP. COIL ASSY.	20B30-110C
44	SF34	EVAP. COIL ASSY.	20B30-114C
45	DW64/49	EVAP. COIL ONLY (24X4X3)	305-065CAF
45	DW79/94	EVAP. COIL ONLY (48X4X3)	305-063CAI
45	SF34	EVAP. COIL ONLY (20X4X3)	305-066CAG
46	DW64/49	**SUCTION LINE AND CAP. ASSY.	20B35-096C
46	DW79/94	**SUCTION LINE AND CAP. ASSY.	20B35-097C

* MUST SPECIFY COLOR
** PARTS NOT ILLUSTRATED

220V/60HZ UNITS ARE AVAILABLE AS CUSTOMER SPECIAL.

DW94/79/64/49/SF34
115v/60hz

REFRIGERATION ASSEMBLIES (CONTINUED)			
ITEM	MODEL	DESCRIPTION	PART NUMBER
46	SF34	**SUCTION LINE AND CAP. ASSY.	20B35-101C
47	ALL BUT SF34	**CAP. TUBE (.049IDX.099ODX132)	203-039A--
47	SF34	**CAP. TUBE (042IDX.092ODX96)	203-131A
48	ALL BUT SF34	CONDENSATE PAN ASSY.	08B30-026C
48	SF34	CONDENSATE PAN ASSY.	08B30-027C
49	DW64/49	**REF. CHARGE R134A	6.75 OUNCES
49	DW79/94	**REF. CHARGE R134A	16.5 OUNCES
49	SF34	**REF. CHARGE R134A	7.5 OUNCES
ACCESSORY PARTS			
ITEM	MODEL	DESCRIPTION	PART NUMBER
50	SF34	(FLORESCANT) INTERIOR LIGHT ASSY.	28B32-031C
50	DW49	(FLORESCANT) INTERIOR LIGHT ASSY.	28B32-030C
50	DW64	(FLORESCANT) INTERIOR LIGHT ASSY.	28B32-029D
50	DW79	(FLORESCANT) INTERIOR LIGHT ASSY.	28B32-028D
50	DW94	(FLORESCANT)INTERIOR LIGHT ASSY.	28B32-027D
51	ALL	BALLAST FOR LIGHT ASSY.	503-086A
52	ALL	LIGHT BULB (F20T12/D)	503-039A--
53	ALL	INCANDESANT LIGHT ASSY.(DBL)	00B18-002CAA
54	ALL	INCANDESANT LIGHT BULB 25W (25T10)	503-053A--
55	ALL	LIGHT SOCKET	503-041A--
56	SF34	CASTER KIT	00C28-092AAA
56	DW49/64/79/94	CASTER KIT	00C28-093AAA
57	DW94	LID LOCK KIT (solid lids)	00C30-027AAA
57	DW79	LID LOCK KIT(solid lids)	00C30-028AAA
57	DW64	LID LOCK KIT(solid lids)	00C30-029AAA
57	DW49	LID LOCK KIT(solid lids)	00C30-030AAA
57	SF34	LID LOCK KIT(solid lids)	00C30-031ABB
58	DW94	LID LOCK KIT(glass lids)	00C30-040A--
58	DW79	LID LOCK KIT(glass lids)	00C30-041A--
58	DW64	LID LOCK KIT(glass lids)	00C30-042A--
58	DW49	LID LOCK KIT(glass lids)	00C30-043A--
58	SF34	LID LOCK KIT(glass lids)	00C30-044A--
59	ALL BUT SF34	10-1/2 " CONVERSION KIT	00C39-003A
59	ALL BUT SF34	12" CONVERSION KIT	00C39-004A
59	ALL BUT SF34	15" CONVERSION KIT	00C39-005A

* MUST SPECIFY COLOR
** PARTS NOT ILLUSTRATED

220V/60HZ UNITS ARE AVAILABLE AS CUSTOMER SPECIAL.

REVISED 01/11/2000

**SPARE PARTS LIST
DW49-29
(CAROLINA SPECIAL)**

QUANTITY	DESCRIPTION	PART#	SPECIAL INFORMATION
1	COMPRESSOR (R134A)	302-703B	R134A 1/4 HP (115V) AE2410YXA
1	OVERLOAD	302-704A	
1	RELAY	302-705A	
1	EVAPORATOR COIL	305-065CAF	24X4-3
*2	EVAPORATOR FAN MOTOR	501-018B	9 WATT
1	EVAPORATOR FAN BLADE	405-033A	8" 5 PED VALOX
1	CONDENSER COIL	305-357C	13"X8"X8.13"
1	CONDENSER FAN MOTOR	501-148B	9 WATT
1	CONDENSER FAN BLADE	405-012A--	7-3/4" 3 PEDAL (ALUMINUM)
1	CONDENSATE PAN	08B30-026C	INCLUDES WICKING AND SPRING
14	WICKING	703-440A	5/8"X20-1/8"X1/8"
4	WICKING SPRING	401-113AAC	STEEL
1	DRIER	303-126A	R12 AND R134A
1	ACCUMULATOR	303-077A	
1	TEMPERATURE CONTROL	502-139A	
1	TOP RAIL ASSEMBLY	01B30-020CDD	STAINLESS STEEL
2	LID ASSEMBLY	02B31-015C	STAINLESS STEEL
2	LID HANDLE	703-342C	PLASTIC
1	LID DIVIDER	11B30-019CBC	
1	BACK BOARD	03B29-001D-04	STAINLESS STEEL
1	STEP DIVIDER	403-114D	9-1/4 X 22-1/4
3	LARGE DIVIDER	403-113D	20 X 22-1/4
5	DIVIDER SPRING	401-090AAB	STEEL
1	GRILL FRONT	07A41-032C	VINYL (SPECIFY FINISH)
1	GRILL REAR	07A41-033C	VINYL (SPECIFY FINISH)
1	EVAPORATOR COIL GRILL	28D37-011C	GALVANIZED
6.5 (OZ)	REF. CHARGE	R134	

SPARE PARTS LIST

DW64-29

(CAROLINA SPECIAL)

QUANTITY	DESCRIPTION	PART#	SPECIAL INFORMATION
1	COMPRESSOR (R134A)	302-804B	R134A 1/3 HP AEA3440YXA SICOM
1	OVERLOAD	302-911A	(TI) MRT24AIK-69
1	RELAY	302-350A	(TI) 9660-042-182
1	EVAPORATOR COIL	305-187C	36 X 4 X 3
*2	EVAPORATOR FAN MOTOR	501-076B	.65 AMPS
1	EVAPORATOR FAN BLADE	405-062A	6 INCH 4 PED VALOX
1	CONDENSER COIL	305-357C	11-5/16 X 7-7/8 X 3
1	CONDENSER FAN MOTOR	501-018B	9 WATT
1	CONDENSER FAN BLADE	405-012A--	7-3/4" 3 PEDAL (ALUMINUM)
1	CONDENSATE PAN	08B30-026C	INCLUDES WICKING AND SPRING
14	WICKING	703-444A	2-1/2 X 6-3/4 X 1/8
4	WICKING SPRING	401-113AAC	STEEL
1	DRIER	303-126A	R12 AND R134A
1	ACCUMULATOR	303-077A	
1	TEMPERATURE CONTROL	502-139A	
1	TOP RAIL ASSEMBLY	01B30-019CDD	STAINLESS STEEL
2	LID ASSEMBLY	02B31-013C	STAINLESS STEEL
2	LID HANDLE	703-342C	PLASTIC
1	LID DIVIDER	11B30-019CBC	
1	BACK BOARD	03B29-001D-05	STAINLESS STEEL
1	STEP DIVIDER	403-114D	9-1/4 X 22-1/4
3	LARGE DIVIDER	403-113D	20 X 22-1/4
5	DIVIDER SPRING	401-090AAB	STEEL
1	GRILL FRONT	07A41-041C	VINYL (SPECIFY FINISH)
1	GRILL REAR	07A41-042C	VINYL (SPECIFY FINISH)
1	EVAPORATOR COIL GRILL	28D37-011C	GALVANIZED
7.5 (OZ)	REF. CHARGE	R134	

DW79-29 SPARE PARTS LIST (CAROLINA SPECIAL)

QUANTITY	DESCRIPTION	PART#	SPECIAL INFORMATION
1	COMPRESSOR (R134A)	302-626B	R134A 1/2 HP AKA4476YXA TEC.
1	OVERLOAD	302-439A	(TI) MRT16AEZ-114
1	RELAY	302-290A	(GE) 3ARR2-KCR181S
1	START CAPACITOR	302-628A	378/455 MFD @ 125VAC
1	RELAY/CAP ASSEMBLY	302-718A	(TEC) AE1227-021
1	EVAPORATOR COIL	305-370C	60 X 4 X 3
*2	EVAPORATOR FAN MOTOR	501-076B	.65 AMPS
2	EVAPORATOR FAN BLADE	405-062A	6 INCH 4 PED VALOX
1	CONDENSER COIL	305-358C	11 X 10-7/8 X 5-9/16
1	CONDENSER FAN MOTOR	501-018B	9 WATT
1	CONDENSER FAN BLADE	405-012A--	7-3/4" 3 PEDAL (ALUMINUM)
1	CONDENSATE PAN	08B30-026C	INCLUDES WICKING AND SPRING
14	WICKING	703-444A	2-1/2 X 6-3/4 X 1/8
4	WICKING SPRING	401-113AAC	STEEL
1	DRIER	303-127A	R12 AND R134A
1	ACCUMULATOR	303-071A	
1	TEMPERATURE CONTROL	502-139A	
1	TOP RAIL ASSEMBLY	01B30-018CDD	STAINLESS STEEL
4	LID ASSEMBLY	02B31-014C	STAINLESS STEEL
4	LID HANDLE	703-342C	PLASTIC
3	LID DIVIDER	11B30-019CBC	
1	BACK BOARD	03B29-001D-06	STAINLESS STEEL
1	STEP DIVIDER	403-114D	9-1/4 X 22-1/4
5	LARGE DIVIDER	403-113D	20 X 22-1/4
7	DIVIDER SPRING	401-090AAB	STEEL
1	GRILL FRONT	07A41-041C	VINYL (SPECIFY FINISH)
1	GRILL REAR	07A41-042C	VINYL (SPECIFY FINISH)
1	EVAPORATOR COIL GRILL	28D37-010C	GALVANIZED

**SPARE PARTS LIST DW94-29
(CAROLINA SPECIAL)**

QUANTITY	DESCRIPTION	PART#	SPECIAL INFORMATION
1	COMPRESSOR (R134A)	302-626B	R134A 1/2 HP AKA4476YXA TEC.
1	OVERLOAD	302-439A	(TI) MRT16AEZ-114
1	RELAY	302-290A	(GE) 3ARR2-KCR181S
1	START CAPACITOR	302-628A	378/455 MFD @ 125VAC
1	RELAY/CAP ASSEMBLY	302-718A	(TEC) AE1227-021
1	EVAPORATOR COIL	305-188C	60 X 4 X 3
*2	EVAPORATOR FAN MOTOR	501-076B	.65 AMPS
2	EVAPORATOR FAN BLADE	405-062A	6 INCH 4 PED VALOX
1	CONDENSER COIL	305-358C	11 X 10-7/8 X 5-9/16
1	CONDENSER FAN MOTOR	501-018B	9 WATT
1	CONDENSER FAN BLADE	405-012A--	7-3/4" 3 PEDAL (ALUMINUM)
1	CONDENSATE PAN	08B30-026C	INCLUDES WICKING AND SPRING
14	WICKING	703-444A	2-1/2 X 6-3/4 X 1/8
4	WICKING SPRING	401-113AAC	STEEL
1	DRIER	303-127A	R12 AND R134A
1	ACCUMULATOR	303-071A	
1	TEMPERATURE CONTROL	502-139A	
1	TOP RAIL ASSEMBLY	01B30-017CDD	STAINLESS STEEL
4	LID ASSEMBLY	02B31-015C	STAINLESS STEEL
4	LID HANDLE	703-342C	PLASTIC
3	LID DIVIDER	11B30-019CBC	
1	BACK BOARD	03B29-001D-07	STAINLESS STEEL
1	STEP DIVIDER	403-114D	9-1/4 X 22-1/4
5	LARGE DIVIDER	403-113D	20 X 22-1/4
7	DIVIDER SPRING	401-090AAB	STEEL
1	GRILL FRONT	07A41-041C	VINYL (SPECIFY FINISH)
1	GRILL REAR	07A41-042C	VINYL (SPECIFY FINISH)
1	EVAPORATOR COIL GRILL	28D37-013C	GALVANIZED

SPARE PARTS LIST

220V SECTION

COMPRESSORS 220V/50HZ

ITEM	MODEL	DESCRIPTION	PART NUMBER
1	DW94/79	1/2 HP AKA4476YXA	302-824B
1	DW64/49	1/3 HP AE3440YXA	302-651B
1	SF34	1/4 AEA3425XZC	302-817B

OVERLOADS 220V/50HZ

ITEM	MODEL	DESCRIPTION	PART NUMBER
2	DW94/79	TI MRA896-114	302-356A
2	DW64/49	TI MRP57HN-69	302-375A
2	SF34	TI MRA 5701-69	313-014A

RELAYS 220V/50HZ

ITEM	MODEL	DESCRIPTION	PART NUMBER
3	DW94/79	NA	302-933A
3	DW64/49	TI MRP40AMK-69	302-399A
3	SF34	TEC 8200EMBH79	302-931A

START CAPACITORS 220V/50HZ

ITEM	MODEL	DESCRIPTION	PART NUMBER
4	DW94/79	135/55MFD @250V	302-254A

EVAPORATOR FAN MOTORS 220V/50HZ

ITEM	MODEL	DESCRIPTION	PART NUMBER
5	ALL	.65 AMPS 220V/50HZ	501-048A

SPARE PARTS LIST

220V SECTION

CONDENSER FAN MOTORS 220V/50HZ

ITEM	MODEL	DESCRIPTION	PART NUMBER
6	DW94/79	9 WATT 230V/50HZ	501-149B
6	DW64/49	9 WATT 230V/50HZ	501-052B
6	SF34	5 WATT 230V/50/60HZ	501-055B

NOTE: All other parts will be the same as standard units listed in the first portion of this book.