

BEVERAGE-AIR

**PARTS
MANUAL
FOR
DD/BB/BM/GF/MS**



ALL PURPOSE COLD

**DIRECT DRAW
BACK BAR
BAR MOBILE
GLASS FROSTER
MIXED STORAGE**

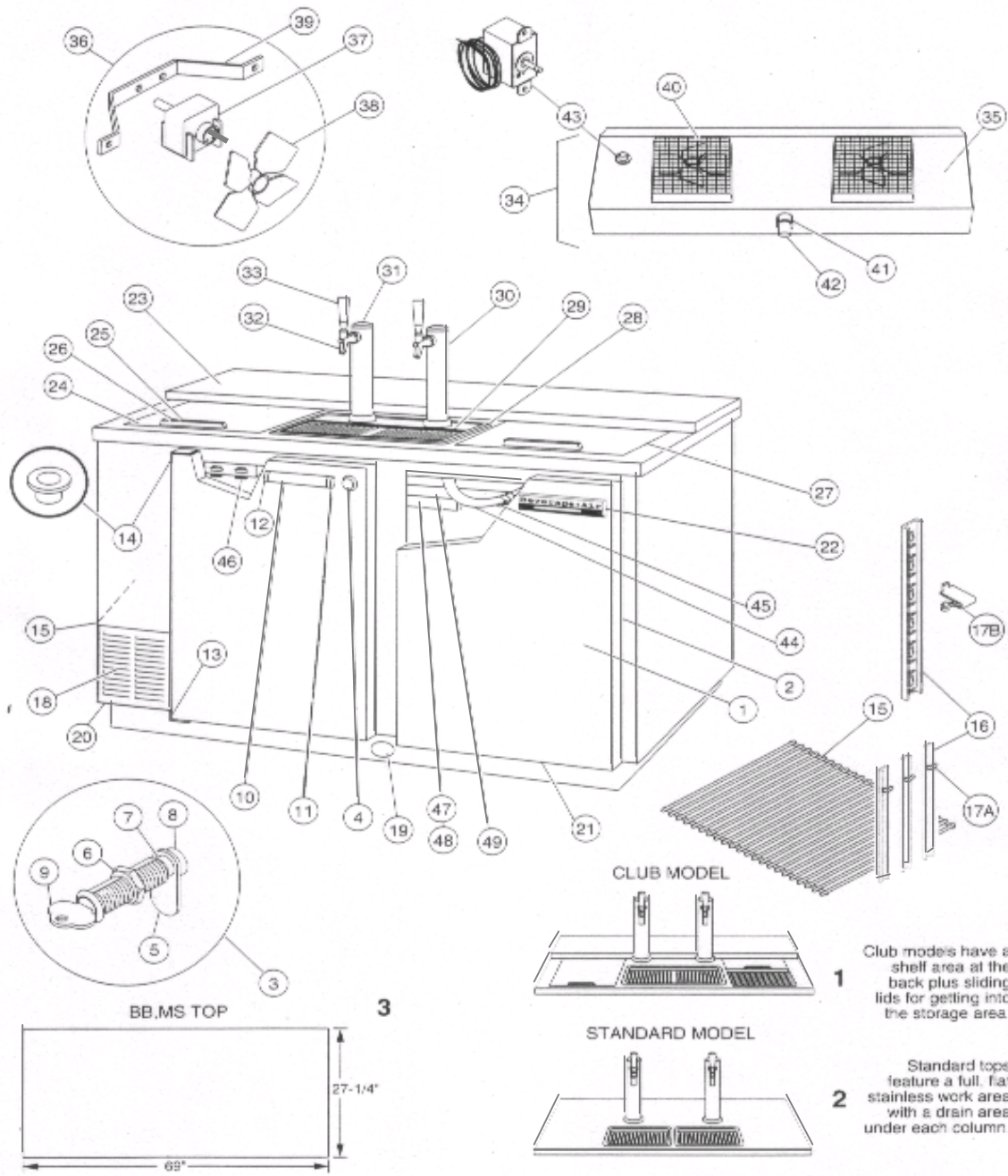
**115V/60HZ
220V/50HZ**

TABLE OF CONTENTS

| DD/BB/MS SECTION | |
|-----------------------------|--------------------|
| PART | PAGE NUMBER |
| ACCUMULATOR | 8 |
| AIR HOSE | 5 |
| BEER FAUCETS | 4 |
| BLOWER HOUSINGS | 5 |
| CO2 MANIFOLD ASSEMBLY | 5 |
| COMPRESSOR | 7 |
| COMPRESSOR OVERLOAD | 7 |
| COMPRESSOR RELAY | 7 |
| CONDENSATE DRAIN PAN | 4 |
| CONDENSER COIL | 7 |
| CONDENSER FAN BLADE | 7 |
| CONDENSER FAN MOTOR | 7 |
| CONDENSER MOTOR BRACKET | 7 |
| CONDENSING UNIT | 7 |
| DOOR GASKETS | 3 |
| DOOR HANDLES | 3 |
| DOOR HINGE BUSHINGS | 3 |
| DOOR HINGES | 3 |
| DOOR LOCKS | 3 |
| DOORS | 2 |
| DRAFT ARMS | 4 |
| DRAWN DRAIN PANS | 4 |
| DRIP TRAYS (LOUVERED) | 4 |
| DRYER | 7 |
| EVAPORATOR BLADE | 5 |
| EVAPORATOR COIL | 8 |
| EVAPORATOR COIL ASSEMBLY | 8 |
| EVAPORATOR MOTOR | 5 |
| EVAPORATOR MOTOR KITS | 5 |
| EXTERIOR DRAIN ASSEMBLIES | 4 |
| FRONT & REAR GRILLS | 3-4 |
| KICK PLATE | 4 |
| LID RAIL BREAKERS | 4 |
| LIGHT BULB | 5 |
| LIGHT SOCKET | 5 |
| LIGHT SWITCH | 5 |
| PILASTER SCREWS | 3 |
| PILASTERS | 3 |
| REFRIGERATION SYSTEM | 7 |
| SHELF CLIPS | 3 |
| SHELVING & BASKETS | 3 |
| SUCTION LINE/CAPILLARY ASSE | 8 |
| TEMPERATURE CONTROL | 5 |
| TOP ASSEMBLIES | 4 |
| TOP CAPS | 4 |
| TOP RAIL & BACKBOARD ASSEM | 4 |
| BM23 SECTION | |
| PART | PAGE NUMBER |
| ACCUMULATOR | 11 |
| AIR HOSE | 10 |
| BEER HOSE | 10 |
| BLOWER HOUSING | 10 |
| CASTER/UNIT BASE | 11 |
| CASTERS | 10 |
| COMPRESSOR | 11 |

| BM23 SECTION | |
|---------------------------|--------------------|
| PART | PAGE NUMBER |
| COMPRESSOR OVERLOAD | 11 |
| COMPRESSOR RELAY | 11 |
| CONDENSER COIL | 11 |
| CONDENSER FAN MOTOR | 11 |
| CONDENSER MOTOR BLADE | 11 |
| DOOR ASSEMBLIES | 10 |
| DOOR GASKET | 10 |
| DOOR HANDLE | 10 |
| DOOR HINGE BUSHING | 10 |
| DOOR HINGES | 10 |
| DOOR LOCK | 10 |
| DOOR LOCK KEYS | 10 |
| DRAFT ARM | 10 |
| DRAWN DRAIN PAN | 10 |
| DRIP TRAY | 10 |
| EVAPORATOR FAN BLADE | 10 |
| EVAPORATOR FAN MOTOR | 10 |
| EVAPORATOR MOTOR BRACKE | 10 |
| FAN GUARD | 10 |
| GLASS RAILS | 10 |
| LID ASSEMBLY | 10 |
| REFRIGERATION SYSTEM | 11 |
| SHELVING | 10 |
| TEMPERATURE CONTROL | 10 |
| TOP ASSEMBLY | 10 |
| TOP BACKBOARD ASSEMBLY | 10 |
| TOP CAP FOR COLUMN | 10 |
| TOP RAIL ASSEMBLY | 10 |
| UNIT HOUSING COVER | 10 |
| WASTE BOTTLE | 10 |
| WASTE BOTTLE ASSEMBLY | 10 |
| GF24/34/48 SECTION | |
| PART | PAGE NUMBER |
| ACCUMULATOR | 14 |
| BACKBOARD | 13 |
| CAPILLARY TUBE | 14 |
| COMPRESSOR | 14 |
| COMPRESSOR RELAY/OVERLO, | 14 |
| CONDENSATE PAN ASSEMBLY | 14 |
| CONDENSER COIL | 14 |
| CONDENSER MOTOR/BLADE | 14 |
| CONDENSING UNIT | 14 |
| DEFROST HEATER | 14 |
| DEFROST LIMIT SWITCH | 13 |
| DEFROST TIMER | 13 |
| EVAPORATOR COIL ASSEMBLY | 14 |
| EVAPORATOR DRAIN PAN | 13 |
| EVAPORATOR FAN MOTOR & BL | 13 |
| FRONT GRILL | 13 |
| LIDS & HANDLES | 13 |
| REFRIGERATION ASSEMBLY | 14 |
| SHELVES & RACKS | 13 |
| TEMPERATURE CONTROL | 13 |
| TOP RAIL ASSEMBLY & BREAK | 13 |
| 220V/50HZ SECTION | |
| | 15 |

CABINET COMPONENTS



DOORS

BB/BM/DD/MS

| ILLUS # | MODEL | DESCRIPTION | PART # |
|--|---|--|------------|
| 1 | BB48/48R | DOOR ASSEMBLY RIGHT HAND (BROWN VINYL) | 02B01-076D |
| | | DOOR ASSEMBLY LEFT HAND (BROWN VINYL) | 02B01-080D |
| | | DOOR ASSEMBLY RIGHT HAND (BLACK VINYL) | 02B01-077D |
| | | DOOR ASSEMBLY LEFT HAND (BLACK VINYL) | 02B01-081D |
| | | DOOR ASSEMBLY RIGHT HAND (GREY PAINTED) | 02B01-074D |
| | | DOOR ASSEMBLY LEFT HAND (GREY PAINTED) | 02B01-078D |
| | | DOOR ASSEMBLY RIGHT HAND (STAINLESS STEEL) | 02B01-075D |
| | | DOOR ASSEMBLY LEFT HAND (STAINLESS STEEL) | 02B01-079D |
| | BB72/72R | DOOR ASSEMBLY RIGHT HAND (BROWN VINYL) | 02B01-084D |
| | | DOOR ASSEMBLY LEFT HAND (BROWN VINYL) | 02B01-088D |
| | | DOOR ASSEMBLY RIGHT HAND (BLACK VINYL) | 02B01-085D |
| | | DOOR ASSEMBLY LEFT HAND (BLACK VINYL) | 02B01-089D |
| | | DOOR ASSEMBLY RIGHT HAND (GREY PAINTED) | 02B01-082D |
| | | DOOR ASSEMBLY LEFT HAND (GREY PAINTED) | 02B01-086D |
| | | DOOR ASSEMBLY RIGHT HAND (STAINLESS STEEL) | 02B01-083D |
| | | DOOR ASSEMBLY LEFT HAND (STAINLESS STEEL) | 02B01-087D |
| | DD50/50C/50R | DOOR ASSEMBLY RIGHT HAND (BROWN VINYL) | 02B36-021D |
| | | DOOR ASSEMBLY LEFT HAND (BROWN VINYL) | 02B36-024D |
| | | DOOR ASSEMBLY RIGHT HAND (BLACK VINYL) | 02B36-043D |
| | | DOOR ASSEMBLY LEFT HAND (BLACK VINYL) | 02B36-044D |
| | | DOOR ASSEMBLY RIGHT HAND (GREY PAINTED) | 02B36-023D |
| | | DOOR ASSEMBLY LEFT HAND (GREY PAINTED) | 02B36-026D |
| | | DOOR ASSEMBLY RIGHT HAND (STAINLESS STEEL) | 02B36-022D |
| | | DOOR ASSEMBLY LEFT HAND (STAINLESS STEEL) | 02B36-025D |
| | DD78 | DOOR ASSEMBLY RIGHT HAND (BROWN VINYL) | 02B36-027D |
| | | DOOR ASSEMBLY LEFT HAND (BROWN VINYL) | 02B36-030D |
| | | DOOR ASSEMBLY RIGHT HAND (BLACK VINYL) | 02B36-045D |
| | | DOOR ASSEMBLY LEFT HAND (BLACK VINYL) | 02B36-046D |
| | | DOOR ASSEMBLY RIGHT HAND (GREY PAINTED) | 02B36-029D |
| | | DOOR ASSEMBLY LEFT HAND (GREY PAINTED) | 02B36-032D |
| | | DOOR ASSEMBLY RIGHT HAND (STAINLESS STEEL) | 02B36-028D |
| | | DOOR ASSEMBLY LEFT HAND (STAINLESS STEEL) | 02B36-031D |
| | DD94-BB94 | DOOR ASSEMBLY RIGHT HAND (BROWN VINYL) | 02B36-037D |
| | | DOOR ASSEMBLY LEFT HAND (BROWN VINYL) | 02B36-040D |
| | | DOOR ASSEMBLY RIGHT HAND (BLACK VINYL) | 02B36-041D |
| | | DOOR ASSEMBLY LEFT HAND (BLACK VINYL) | 02B36-042D |
| | | DOOR ASSEMBLY RIGHT HAND (STAINLESS STEEL) | 02B36-036D |
| | | DOOR ASSEMBLY LEFT HAND (STAINLESS STEEL) | 02B36-039D |
| | BB58/58E/58R BB68/78E/78R DD58/58C/58E DD78/78E/78R MS58/68 | DOOR ASSEMBLY RIGHT HAND (BROWN VINYL) | 02B36-037D |
| | | DOOR ASSEMBLY LEFT HAND (BROWN VINYL) | 02B36-040D |
| DOOR ASSEMBLY RIGHT HAND (BLACK VINYL) | | 02B36-041D | |
| DOOR ASSEMBLY LEFT HAND (BLACK VINYL) | | 02B36-042D | |
| DOOR ASSEMBLY RIGHT HAND (GREY PAINTED) | | 02B36-035D | |
| DOOR ASSEMBLY LEFT HAND (GREY PAINTED) | | 02B36-038D | |
| DOOR ASSEMBLY RIGHT HAND (STAINLESS STEEL) | | 02B36-036D | |
| DOOR ASSEMBLY LEFT HAND (STAINLESS STEEL) | | 02B36-039D | |

DOORS
BB/DD/MS(CONTINUED)

| ILLUS # | MODEL | DESCRIPTION | PART # |
|---------|---------------------|-------------------------------------|--------------|
| 2 | BB48/48R | DOOR GASKET | 703-677C |
| | BB72/72R | DOOR GASKET | 703-678C |
| | DD50/50C/50R | DOOR GASKET | 703-583C |
| | DD78 | DOOR GASKET | 703-587C |
| | DD/BB94 | DOOR GASKET | 703-372CAA |
| | BB58/58E/58R | DOOR GASKET | 703-372CAA |
| | BB68/78E/78R | DOOR GASKET | 703-372CAA |
| | DD58/58C/58E | DOOR GASKET | 703-372CAA |
| | DD78/78E/78R | DOOR GASKET | 703-372CAA |
| | MS58/68 | DOOR GASKET | 703-372CAA |
| 3 | ALL-DD/BB/MS | CYLINDER LOCK ASSEMBLY | 28B04-001AAA |
| 4 | ALL-DD/BB/MS | CYLINDER LOCK BUSHING | 00A30-110A |
| 5 | ALL-DD/BB/MS | CYLINDER LOCK CAM | 401-567A |
| 6 | ALL-DD/BB/MS | CYLINDER LOCK WITH KEYS | 401-049AAA |
| 7 | ALL-DD/BB/MS | CYLINDER LOCK EXTENSION | 401-126A |
| 8 | ALL-DD/BB/MS | CYLINDER LOCK SCREW | 603-181AAA |
| 9 | ALL-DD/BB/MS | CYLINDER LOCK KEYS (2298) | 401-051A-- |
| 10 | BB48/48R/72/72R | DOOR HANDLE PACKAGE | 28D04-006B |
| | DD50/50C/50R | DOOR HANDLE PACKAGE | 29B02-006A |
| | BB58/58E/58R | DOOR HANDLE PACKAGE | 29B02-004A |
| | DD/BB68/68C/68R | DOOR HANDLE PACKAGE | 29B02-006A |
| | DD/BB78/78E/78R | DOOR HANDLE PACKAGE | 29B02-007A |
| | MS58/68 | DOOR HANDLE PACKAGE | 29B02-004A |
| | DD/BB94 | DOOR HANDLE PACKAGE | 29B02-007A |
| 11 | ALL-DD/BB/MS | DOOR HANDLE | 401-138A-- |
| 12 | ALL-DD/BB/MS | DOOR HANDLE SCREW | 603-192A-- |
| 13 | ALL-DD/BB/MS | DOOR HINGE-RH-(TOP & BOTTOM) | 13B01-005A |
| | ALL-DD/BB/MS | DOOR HINGE-LH-(TOP & BOTTOM) | 13B01-004A |
| 14 | ALL-DD/BB/MS | DOOR HINGE BUSSING (NYLON) | 703-179A-- |
| 15 | DD50C/58C/68C | WIRE RACK(BASKET) FOR CLUB TOP ONLY | 403-229D |
| | DD50C/68C | HORIZONTAL SHELF FOR CLUB TOP ONLY | 403-215D |
| | BB58/58E/DD58/58E | HORIZONTAL SHELF 22" X 24-1/4" | 403-218D |
| | BB58/58E/DD58/58E & | HORIZONTAL SHELF 22" X 31" | 403-249D |
| | BB68/DD68 | HORIZONTAL SHELF 22" X 32" | 403-217D |
| | BB78E/DD78E & BB94 | HORIZONTAL SHELF 22" X 24-1/4" | 403-216D |
| | BB94 | HORIZONTAL SHELF 34" X 22" | 403-690D-01 |
| 16 | ALL-DD/BB/MS | PILASTER (15" LONG) | 403-154C |
| 17 | ALL-DD/BB/MS | PILASTER SCREW | 603-304A |
| | ALL-DD/BB/MS | SHELF CLIP | 403-168A |

CABINET COMPONENTS

FOR SERIAL NUMBERS 8116063 TO 4311829

| | | | |
|----|------------------|-------------------------------|------------|
| 18 | BB48/48R/72/72R | FRONT GRILL (BROWN VINYL) | 28D37-050D |
| | BB48/48R/72/72R | FRONT GRILL (BLACK VINYL) | 28D37-051D |
| | BB48/48R/72/72R | FRONT GRILL (GRAY PAINTED) | 28D37-048D |
| | BB48/48R/72/72R | FRONT GRILL (STAINLESS STEEL) | 28D37-049D |
| | BB58/58E/58R | FRONT GRILL (BROWN VINYL) | 07B01-010C |
| | BB68 | REAR GRILL (BROWN VINYL) | 07B01-013C |
| | DD50/50C/50R | FRONT GRILL (BLACK VINYL) | 07B01-015C |
| | DD58/58C/58E/58R | REAR GRILL (BLACK VINYL) | 07B01-016C |
| | DD68/68C78/78E | FRONT GRILL (GRAY PAINTED) | 07B01-009C |
| | DD78R/MS58/68 | REAR GRILL (GRAY PAINTED) | 07B01-012C |
| | | FRONT GRILL (STAINLESS STEEL) | 07B01-011C |
| | | REAR GRILL (STAINLESS STEEL) | 07B01-014C |

CABINET COMPONENTS (CONTINUED)
FOR SERIAL NUMBERS 4311829 THRU CURRENT

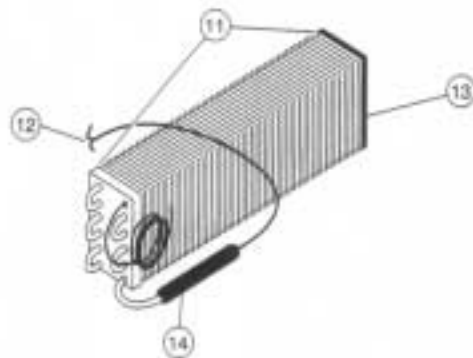
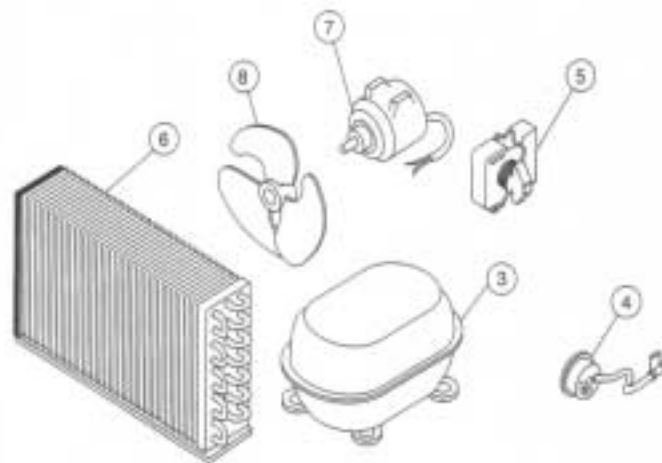
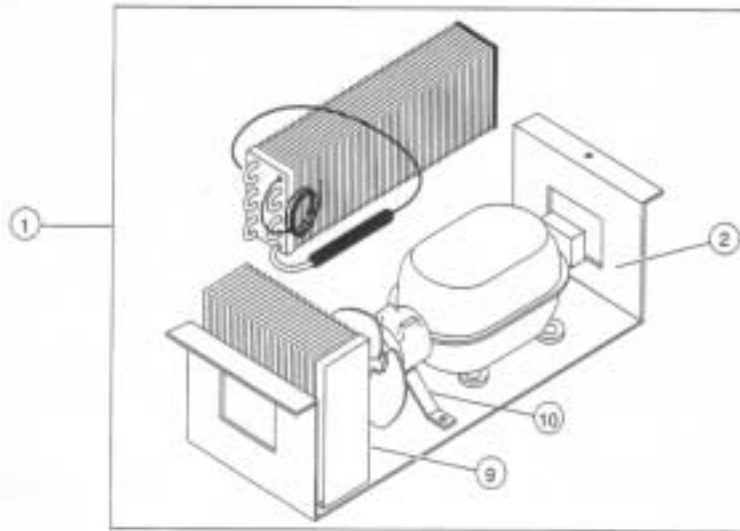
| ILLUS # | MODEL | DESCRIPTION | PART # |
|---------------|--|---|-------------------------------|
| 18 | BB48/48R/72/72R | FRONT GRILL (BROWN VINYL) | 28D37-050D |
| | BB48/48R/72/72R | FRONT GRILL (BLACK VINYL) | 28D37-051D |
| | BB48/48R/72/72R | FRONT GRILL (GRAY PAINTED) | 28D37-048D |
| | BB48/48R/72/72R | FRONT GRILL (STAINLESS STEEL) | 28D37-049D |
| | BB58/58E/58R/BB-DD9 | FRONT & REAR (BROWN VINYL) | 28D37-079C-06 |
| | BB68 | FRONT & REAR (BLACK VINYL) | 28D37-079C-07 |
| | DD50/50C/50R | FRONT & REAR (STAINLESS STEEL) | 28D37-079C-05 |
| | DD58/58C/58E/58R | FRONT & REAR (UNPAINTED) | 28D37-079C-01 |
| | DD68/68C/78/78E | | |
| DD78R/MS58/68 | | | |
| 19 | DD78 | EXTERIOR DRAIN ASSEMBLY | 06B01-014C |
| | DD78E/78C/78R | EXTERIOR DRAIN ASSEMBLY | 06B01-015C |
| | DD50/50C/50R | EXTERIOR DRAIN ASSEMBLY | 06B01-011BAA |
| | DD68/68C | EXTERIOR DRAIN ASSEMBLY | 06B01-011BAA |
| | DD58/58E/58C | EXTERIOR DRAIN ASSEMBLY | 06B01-011BAA |
| | DD94 | EXTERIOR DRAIN ASSEMBLY | 06B01-014C |
| 20 | BB48/72 | CONDENSATE DRAIN PAN | 08B30-037C |
| | BB68/78/94 | CONDENSATE DRAIN PAN | 08B30-024C |
| | MS58/68 | CONDENSATE DRAIN PAN | 08B30-024C |
| 21 | ALL DD/BB | KICK PLATE PROTECTOR | 28A89-003BAA |
| 22 | ALL DD/BB/MS | NAME PLATE (Beverage-Air) | 806-147B |
| 23 | DD50/50E | TOP ASSEMBLY | 03B01-083D |
| | DD58/58E/58R | TOP ASSEMBLY | 03B01-082D |
| | DD68/68E/68R | TOP ASSEMBLY | 03B01-081D |
| | DD78/78E/78R | TOP ASSEMBLY | 03B01-080D |
| | DD94 | TOP ASSEMBLY | 03B01-184D-01 |
| | MS68 | TOP ASSEMBLY | 03B01-012D |
| | DD50C | TOP RAIL & BACK BOARD ASSEMBLY | 03B30-046D |
| | DD58C | TOP RAIL & BACK BOARD ASSEMBLY | 28B31-014D |
| | DD68C | TOP RAIL & BACK BOARD ASSEMBLY | 28B31-015D |
| 24 | DD50C/58C/68C | LID ASSEMBLY | 02B34-016CAD |
| 25 | DD50C/58C/68C | LID HANDLE | 703-342C |
| 26 | DD50C/58C/68C | LID HANDLE SCREW | 603-024A-- |
| 27 | DD50C/58C/68C | LID RAIL BREAKER (RIGHT HAND) | 28A39-048BAC |
| | | LID RAIL BREAKER (LEFT HAND) | 28A39-049BAC |
| | | LID RAIL BREAKER (FRONT) | 28A39-060B |
| 28 | DD50/50C/58/58C DD68/78E/78R DD94 | DRAWN DRAIN PAN (15"X5-11/16") | 28A06-001C |
| | DD68C | DRAWN DRAIN PAN (23-1/8" X 5-11/16") | 28A06-002C |
| | | | |
| 29 | DD50/50C DD58/58C/58R/58E DD68 DD78/78R/78E DD94 | DRIP TRAY (LOUVERED) (14-1/2" X 5-1/8") | 28A06-004C |
| | DD68C | DRIP TRAY (LOUVERED) | 28A06-005C |
| | | | |
| 30 | DD50/50C DD94 | DRAFT ARM (DUAL ANGLE) (3" DIAMETER) | 406-047A |
| | DD58/58C/58E/58R DD68/68C/68E/68R DD78/78C/78E/78R | DRAFT ARM (SINGLE) (3" DIAMETER) | 406-017A-- |
| | | | |
| 31 | ALL DD MODELS | TOP CAP (MUST SPECIFY 2" OR 3" DRAFT ARM) | 406-052A |
| 32 | ALL DD MODELS | BEER FAUCET (SINGLE) | 406-010A-- |
| 33 | ALL DD MODELS | BEER FAUCET (HANDLE) | 406-012A-- |

NOTE: If draft arms are not used, order umbrella plug ([00C10-006A](#))

CABINET COMPONENTS (CONTINUED)
FOR SERIAL NUMBERS 4311829 THRU CURRENT

| ILLUS # | MODEL | DESCRIPTION | PART # |
|--------------|--|---|--------------|
| 34 | BB48/48R/72/72R | BLOWER HOUSING COMPLETE | 04B30-085D |
| | BB58/58E/58R BB68 BB78/78E/78R DD50/50C/50R DD58/58C/58E/58R DD68/68C DD78/78E/78R DD94 MS58/68 | BLOWER HOUSING COMPLETE | 04B30-078D |
| 35 | BB48/48R/72/72R | HOUSING ONLY | 04A02-176C |
| | BB58/58E/58R BB68 BB78/78E/78R DD50/50C/50R DD58/58C/58E/58R DD68/68C DD78/78E/78R DD94 MS58/68 | HOUSING ONLY | 04B02-073D |
| 36 | ALL MODELS | EVAPORATOR FAN MOTOR KIT | 63C31-001A |
| 37 | ALL MODELS | EVAPORATOR FAN MOTOR (.65 AMPS 120-60) | 501-076A |
| 38 | ALL MODELS | EVAPORATOR FAN BLADE 6"WHITE (4PET VALOX) | 405-062A |
| 39 | ALL MODELS | EVAPORATOR MOTOR BRACKET | 42A37-011B |
| 40 | ALL MODELS | EVAPORATOR FAN GUARD | 403-698B |
| 41 | ALL MODELS | DRAIN FLANGE | 205-150A |
| 42 | ALL MODELS | DRAIN FLANGE ADAPTER | 205-151A |
| 43 | BB48/48R/72/72R | TEMPERATURE CONTROL | 502-290B |
| | BB58/58E/58R BB68 BB78/78E/78R DD50/50C/50R DD58/58C/58E/58R DD68/68C DD78/78E/78R DD94 MS58/68 | TEMPERATURE CONTROL | 502-289B |
| 44 | ALL DD | AIR HOSE (VINYL 1") | 703-100A-- |
| 45 | ALL DD | AIR HOSE HANGER | 401-184A |
| 46 | DD50/50C | CO2 MANIFOLD ASSEMBLY (TWO - WAY) | 28B07-015CAA |
| | DD58/58C | | |
| | DD58E | CO2 MANIFOLD ASSEMBLY (THREE - WAY) | 28B07-014CAA |
| | DD68/68E | | |
| DD78/78E/78R | CO2 MANIFOLD ASSEMBLY (FOUR - WAY) | 28B07-013CAA | |
| 47 | ALL MODELS | LIGHT SOCKET | 503-048A-- |
| 48 | ALL MODELS | LIGHT BULB (INC) 25W 25T10 | 503-053A-- |
| 49 | ALL MODELS | LIGHT SWITCH | 502-042A-- |

REFRIGERATION COMPONENTS



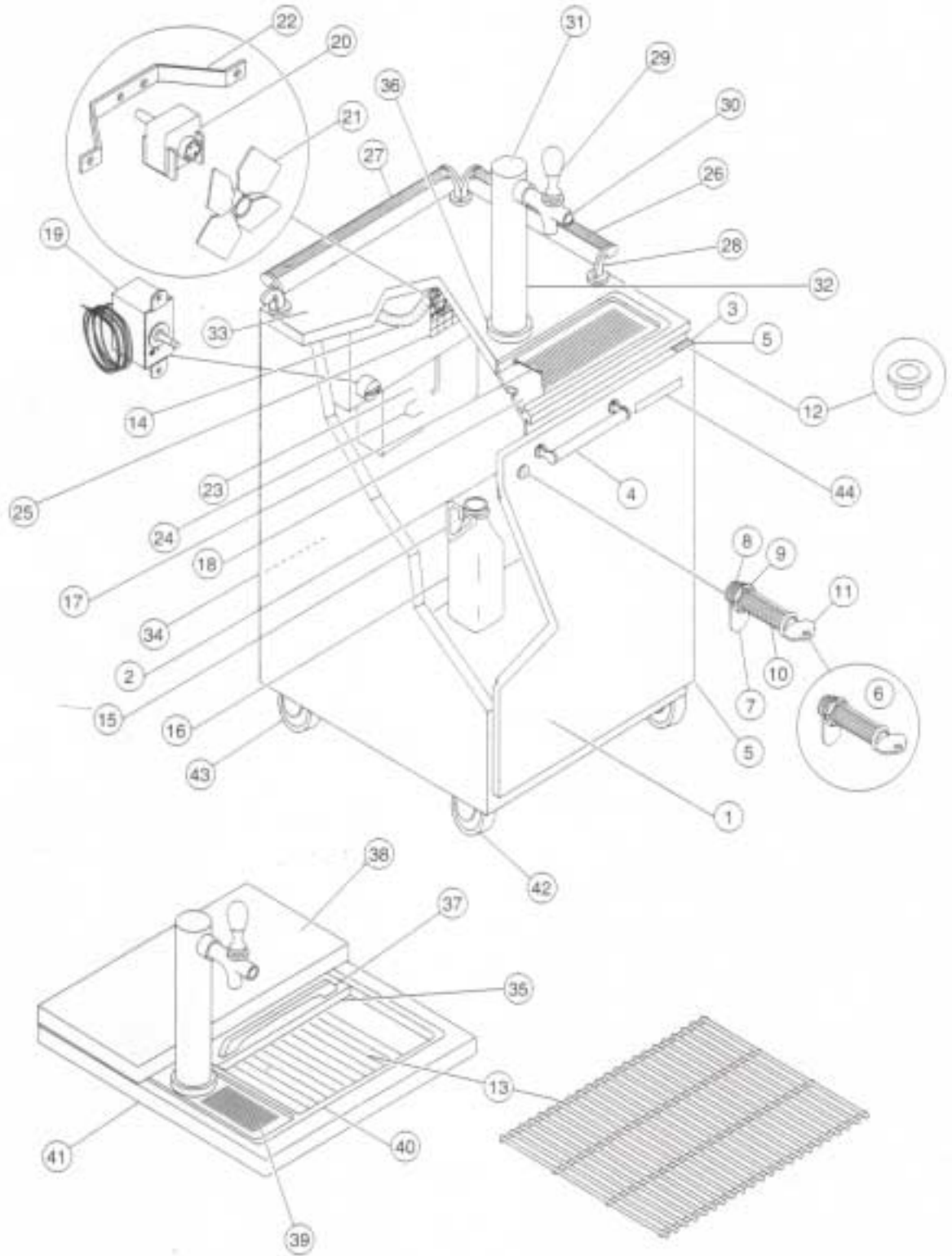
**REFRIGERATION COMPONENTS
FOR SERIAL NUMBERS 4311829 THRU CURRENT**

| ILLUS # | MODEL | DESCRIPTION | PART # |
|---------|---|--|----------------------------|
| 1 | BB48/72 | REFRIGERATION SYSTEM | 19C30-079D |
| | BB58E/DD58E | REFRIGERATION SYSTEM | 19B01-018D |
| | BB78E/DD78E | REFRIGERATION SYSTEM | 19B01-016D |
| | BB58/68 DD50/50C DD58/58C DD68/68C DD78 DD94 | REFRIGERATION SYSTEM | 19B01-014D |
| 2 | BB48/72 | CONDENSING UNIT ASSEMBLY | 15B01-042D |
| | BB58E/DD58E | CONDENSING UNIT ASSEMBLY | 15C32-045D |
| | BB78E/DD78E | CONDENSING UNIT ASSEMBLY | 15C32-045D |
| | BB58/68 DD50/50C DD58/58C DD68/68C DD78 DD94 | CONDENSING UNIT ASSEMBLY | 15B01-040D |
| 3 | BB48/72 | COMPRESSOR 1/4HP 115-60 ASP(E5170Z) | 302-784B |
| | BB58/58E BB68/78 DD50/50C DD68/68C/78 MS58/68 | COMPRESSOR 1/3HP 115-60 SIC(AE3440YXA) | 302-804B |
| 4 | BB48/72 | OVERLOAD (TI) MRT26AKK-3001 | 302-785A |
| | BB58/58E BB68/78 DD50/50C DD68/68C/78 MS58/68 | OVERLOAD (TI)MRT24AIK-69 | 302-911A |
| 5 | BB48/72 | RELAY (TI) 9660-040-116 | 302-786A |
| | BB58/58E BB68/78 DD50/50C DD68/68C/78 MS58/68 | RELAY (TI) 9660 042 182 | 302-350A |
| 6 | BB48/72 | CONDENSER COIL (6"X10-15/16"X4") | 305-098C |
| | BB58E/DD58E | CONDENSER COIL (11-5/16"X7-7/8X3") | 305-049C |
| | BB78E/DD78E | CONDENSER COIL (11-5/16"X7-7/8X3") | 305-049C |
| | BB58/68 DD50/50C DD58/58C DD68/68C DD78 DD94 | CONDENSER COIL (5-5/16X7-7/8X4) | 305-059C |
| 7 | ALL BB/DD | CONDENSER FAN MOTOR | 501-148B |
| 8 | BB48/72 | CONDENSER FAN BLADE 7.75" (3 PET ALUM) | 405-052A |
| | BB58E/DD58E BB78E/DD78E | CONDENSER FAN BLADE 7.75" (3 PET ALUM) | 405-012A-- |
| | BB58/68 DD50/50C DD58/58C DD68/68C DD78 DD94 | CONDENSER FAN BLADE 7.75" (3 PET ALUM) | 405-012A-- |
| 9 | ALL BB/DD | DRYER | 303-143A |
| 10 | BB48/72 | CONDENSER MOTOR BRACKET | 408-004A |
| | BB58/58E BB68/78 DD50/50C DD68/68C/78 DD94 MS58/68 | CONDENSER MOTOR BRACKET | 408-003A |

REFRIGERATION COMPONENTS
FOR SERIAL NUMBERS 4311829 THRU CURRENT (CONTINUED)

| ILLUS # | MODEL | DESCRIPTION | PART # |
|--|---|--------------------------------------|--------------------------------------|
| 11 | BB48/72 | EVAPORATOR COIL ASSEMBLY | 20B30-082D |
| | BB58E/DD58E | EVAPORATOR COIL ASSEMBLY | 15B02-002CBC |
| | BB58/68 DD50/50C/58/58C DD68/68C/78 DD94 | EVAPORATOR COIL ASSEMBLY | 20B30-037CAA |
| | DD58R/DD78R | EVAPORATOR COIL ASSEMBLY | 19B31-012D-01 |
| | BB48/72R | EVAPORATOR COIL ASSEMBLY | 19B31-011D |
| | 12 | BB48/72 | SUCTION LINE/CAPILLARY TUBE ASSEMBLY |
| BB58E/78E DD58E/78E | | SUCTION LINE/CAPILLARY TUBE ASSEMBLY | 15A33-023A |
| BB58/68 DD50/50C/58/58C DD68/68C/78 DD94 | | SUCTION LINE/CAPILLARY TUBE ASSEMBLY | 20B35-037CAA |
| DD58R/DD78R | | SUCTION LINE ASSEMBLY | 19B30-034D-01 |
| BB48/72R | | SUCTION LINE ASSEMBLY | 19B30-033D |
| 13 | | BB48/72 | EVAPORATOR COIL (16"X6"X3") |
| | BB58E/DD58E | | |
| | BB58/68 DD50/50C/58/58C DD68/68C/78 DD94 | EVAPORATOR COIL (24"X4"X3") | 305-073CAC |
| | DD58R/DD78R | EVAPORATOR COIL (24"X4"X3") | 305-073CAC |
| | BB48/72R | EVAPORATOR COIL (16"X6"X3") | 305-099C |
| | 14 | BB48/72 BB48R/72R | ACCUMULATOR |
| BB58/58E/58R BB68/78/78E/78R DD50/50C/50R DD58/58C/58E/58R DD78/78R DD94 MS58/68 | | ACCUMULATOR | 303-012A |

BM23-SECTION CABINET COMPONENTS



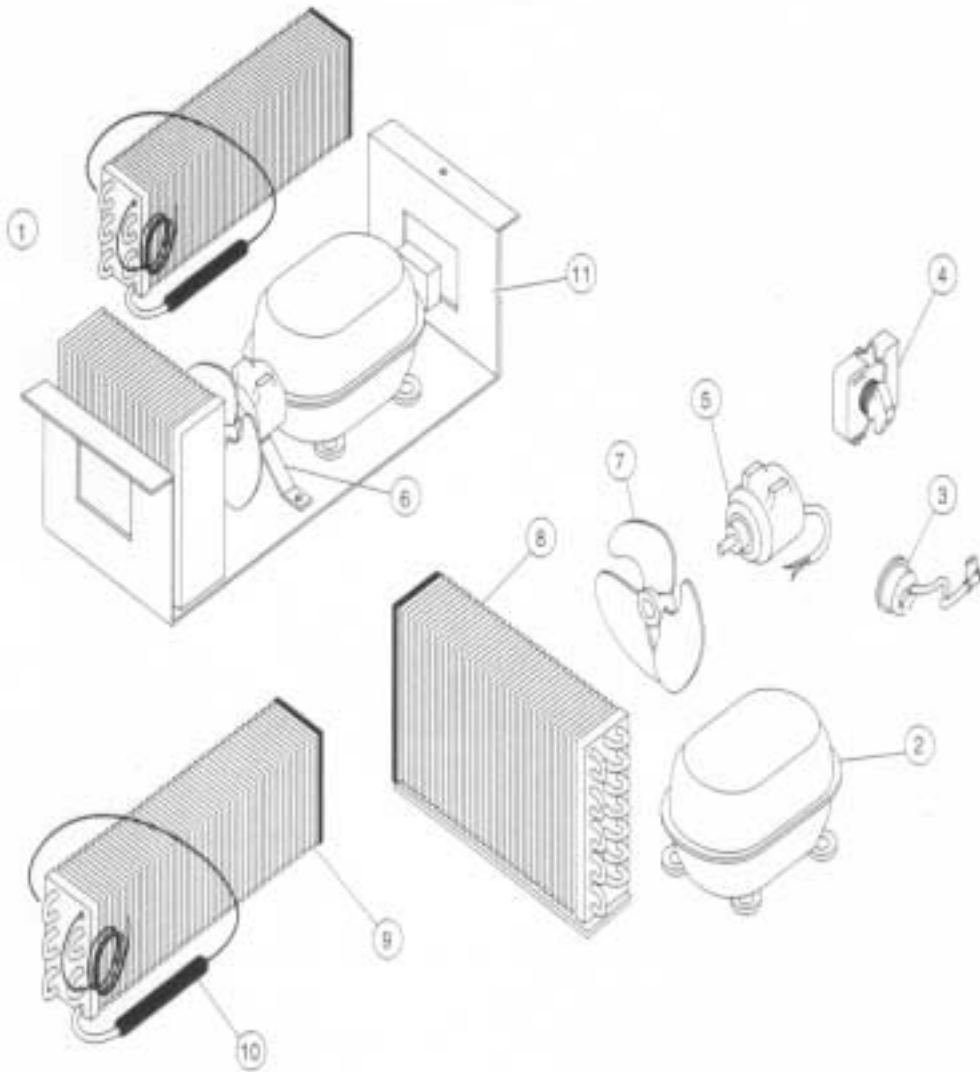
BM23 CABINET COMPONENTS

| ILLUS # | MODEL | DESCRIPTION | PART # |
|---------|----------|--------------------------------------|---------------|
| 1 | BM23/23C | DOOR ASSEMBLY-BROWN VINYL | 02B01-054D |
| | | DOOR ASSEMBLY-STAINLESS STEEL | 02B01-053D |
| | | DOOR ASSEMBLY-BLACK VINYL | 02B01-070D |
| 2 | BM23/23C | DOOR GASKET | 703-195CAA |
| 3 | BM23/23C | DOOR HINGE (TOP/BOT-LEFT/RIGHT) | 13B01-005A |
| 4 | BM23/23C | DOOR HANDLE (PACKAGE) | 29B02-003A |
| 5 | BM23/23C | DOOR HINGE OFFSET | 13A04-004A |
| 6 | BM23/23C | DOOR LOCK ASSEMBLY | 28B04-001AAA |
| 7 | BM23/23C | DOOR LOCK CAM | 401-567A |
| 8 | BM23/23C | DOOR LOCK SCREW (NYLON) | 603-181AAA |
| 9 | BM23/23C | LOCK EXTENSION | 401-126A |
| 10 | BM23/23C | LOCK WITH KEYS | 401-049AAA |
| 11 | BM23/23C | KEYS | 401-051A-- |
| 12 | BM23/23C | DOOR HINGE BUSHING | 00A30-110A |
| 13 | BM23/23C | SHELF (15.5"X19.63") | 403-213D |
| 14 | BM23/23C | AIR HOSE | 401-193A |
| 15 | BM23/23C | DRAIN BOTTLE ASSEMBLY | 28B02-011C |
| 16 | BM23/23C | WASTE BOTTLE | 403-093A |
| 17 | BM23 | DRIP TRAY | 28A06-004C |
| 18 | BM23 | DRAWN DRAIN PAN | 28A06-001C |
| 19 | BM23/23C | TEMPERATURE CONTROL | 502-290B |
| 20 | BM23/23C | EVAPORATOR FAN MOTOR(.2 AMPS 115-60) | 501-137B |
| 21 | BM23/23C | EVAPORATOR MOTOR BLADE | 405-043A |
| 22 | BM23/23C | EVAPORATOR MOTOR BRACKET | 04A42-015B-03 |
| 23 | BM23/23C | BLOWER HOUSING ONLY | 04A02-325C-03 |
| 24 | BM23/23C | BLOWER HOUSING COMPLETE | 04B01-068C-01 |
| 25 | BM23/23C | PLASTIC FAN GUARD | 703-369C |
| 26 | BM23/23C | GLASS RAIL END | 401-135BAA |
| 27 | BM23/23C | GLASS RAIL RAIL REAR | 401-136BAA |
| 28 | BM23/23C | GLASS RAIL SPACER | 401-138A-- |
| 29 | BM23/23C | BEER FAUCET HANDLE | 406-012A-- |
| 30 | BM23/23C | BEER FAUCET SPOUT | 406-010A-- |
| 31 | BM23/23C | CAP FOR COLUMN (2-1/2") | 406-052A |
| 32 | BM23/23C | DRAFT ARM (2-1/2") | 406-004A-- |
| 33 | BM23 | TOP ASSEMBLY | 24B41-021C |
| 34 | BM23 | UNIT HOUSING COVER-BROWN VINYL | 28D30-068B |
| | | UNIT HOUSING COVER-STAINLESS STEEL | 28D30-066D |
| | | UNIT HOUSING COVER-BLACK VINYL | 28D30-067B |
| 35 | BM23-C | LID ASSEMBLY BM23-C ONLY | 02B34-014CAD |
| 36 | BM23/23C | BEER HOSE/W-SHRADER FITTING 48" | 402-069A-- |
| 37 | BM23-C | LID HANDLE | 703-342C |
| 38 | BM23-C | TOP BACK BORED ASSEMBLY-BM23C ONLY | 24B41-011DAC |
| 39 | BM23-C | DRIP TRAY | 00A34-034BBC |
| 40 | BM23-C | DRAWN DRAIN PAN | 28B30-004CCD |
| 41 | BM23-C | TOP RAIL ASSEMBLY | 24B41-012CAB |
| 42 | BM23/23C | SWIVEL CASTER WITH BRAKE | 401-068A-- |
| 43 | BM23/23C | SWIVEL CASTER WITHOUT BRAKE | 401-069A-- |
| 44 | BM23/23C | NAME PLATE | 806-147B |

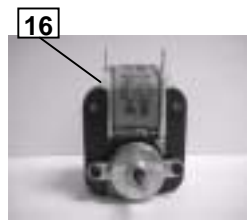
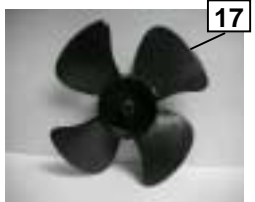
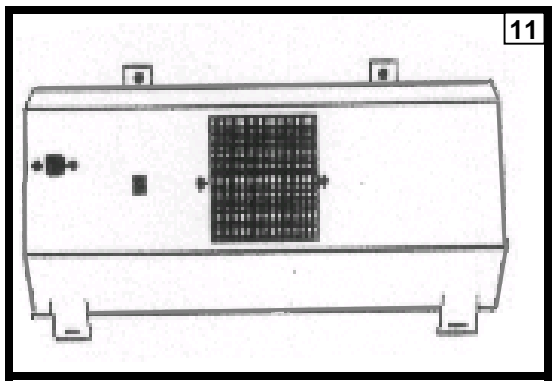
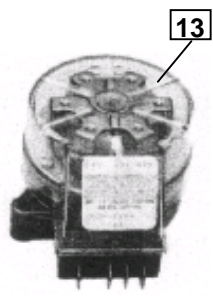
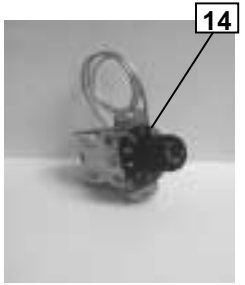
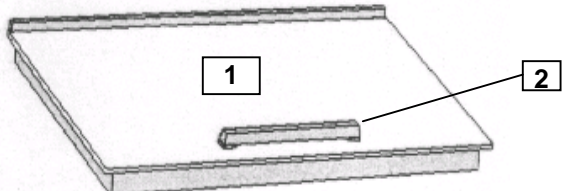
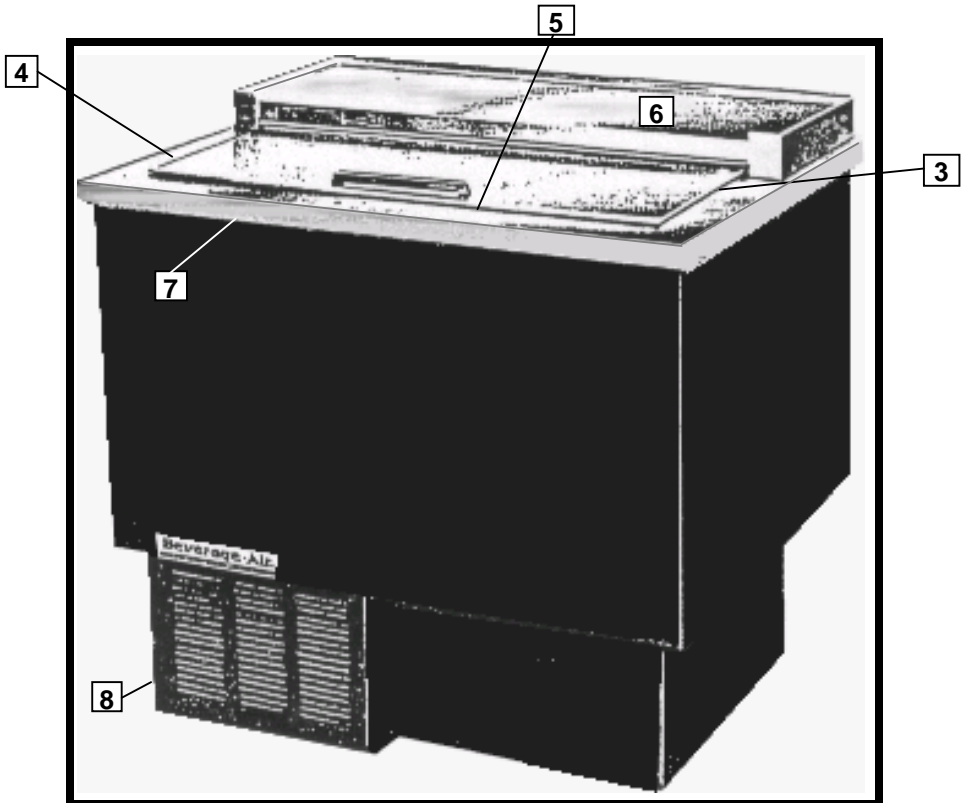
BM23

REFRIGERATION COMPONENTS

| ILLUS # | MODEL | DESCRIPTION | PART # |
|---------|----------|--|------------------------------|
| 1 | BM23/23C | REFRIGERATION SYSTEM | 19C30-067D |
| 2 | BM23/23C | COMPRESSOR 1/5HP 115-60 SIC AZA0395YXA | 302-676B |
| 3 | BM23/23C | OVERLOAD (TI) (MRP40AJN-69) | 302-918A |
| 4 | BM23/23C | RELAY (TI) (9660-071-161) | 302-677A |
| 5 | BM23/23C | CONDENSER FAN MOTOR (5 WATTS 115-60) | 501-019B |
| 6 | BM23/23C | CONDENSER MOTOR BRACKET | 26A51-021BAC |
| 7 | BM23/23C | CONDENSER FAN BLADE 6" (4 PET ALUM) | 405-010A-- |
| 8 | BM23/23C | CONDENSER COIL (4-1/2"X6-7/8"X3") | 305-047C |
| 9 | BM23/23C | EVAPORATOR COIL (16"X6"X2") | 305-074CAB |
| 10 | BM23/23C | ACCUMULATOR | 303-010A-- |
| 11 | BM23/23C | CASTER/UNIT BASE | 26B30-030C |

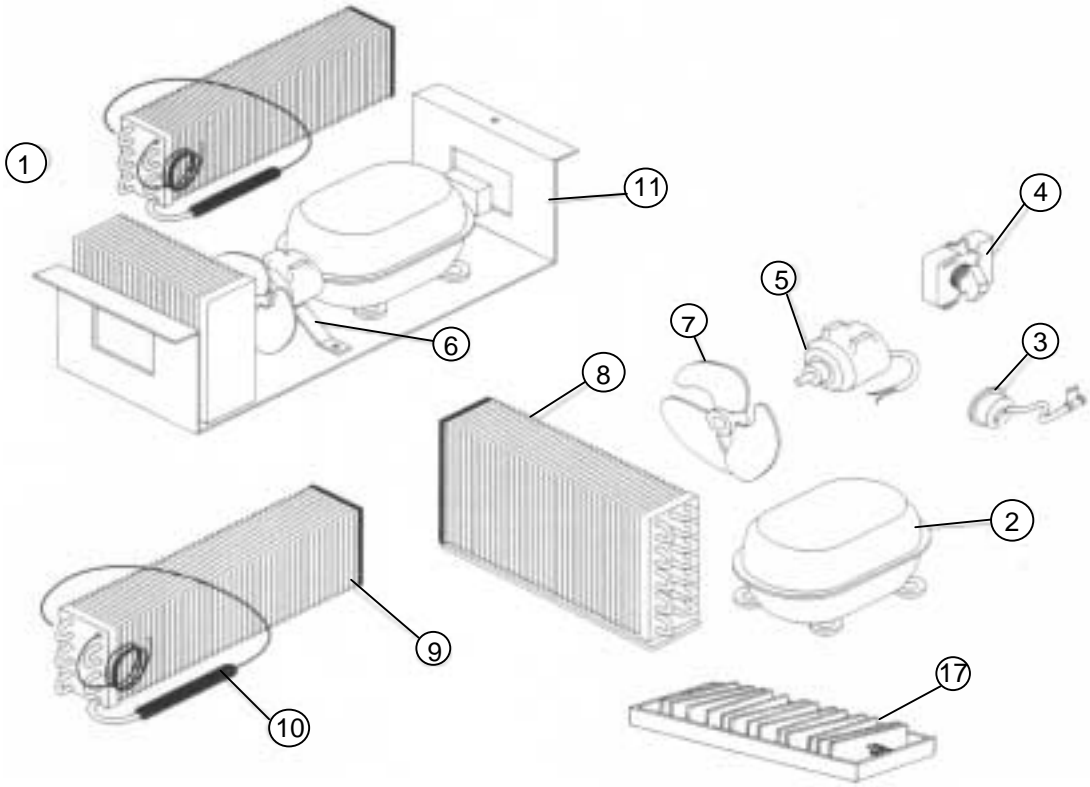


GF24/34/48-SECTION CABINET COMPONENTS



GF24/34/48 CABINET COMPONENTS

| ILLUS # | MODEL | DESCRIPTION | PART # |
|---------|------------|-----------------------------------|------------------------------|
| 1 | GF24 | LID/STAINLESS STEEL | 02B31-024D |
| | GF34 | LID/STAINLESS STEEL | 02B31-013D |
| | GF48 | LID/ LH STAINLESS STEEL | 02B31-039D |
| | GF48 | LID/ RH STAINLESS STEEL | 02B31-040D |
| 2 | ALL GF | LID HANDLE | 703-342C |
| 3 | GF24/34/48 | TOP RAIL BREAKER-R/H | 28D35-037B |
| 4 | GF24/34/48 | TOP RAIL BREAKER-L/H | 28D35-038B |
| 5 | GF24 | TOP RAIL BREAKER/ FRONT | 28D35-076B |
| | GF34 | TOP RAIL BREAKER/ FRONT | 28D35-031BAC |
| | GF48 | TOP RAIL BREAKER/ FRONT | 03B30-077C |
| 6 | GF24 | BACKBOARD | 03B29-001D-01 |
| | GF34 | BACKBOARD | 03B29-001D-03 |
| | GF48 | BACKBOARD | 03B29-001D-02 |
| 7 | GF24 | TOP RAIL ASSEMBLY | 01B30-031D |
| | GF34 | TOP RAIL ASSEMBLY | 01B30-021CDD |
| | GF48 | TOP RAIL ASSEMBLY | 01B30-036D |
| 8 | GF24/34/48 | FRONT GRILL | 07B30-020B |
| | GF24/34/48 | REAR GRILL | 07B30-021B |
| 9 | GF24/34/48 | SHELF/TOP(14"X17.38") | 403-104D |
| 10 | GF24 | BOTTOM RACK (21.75"X19") | 403-310D |
| | GF34/48 | BOTTOM RACK (21.25"X28") | 403-105D |
| 11 | GF24 | BLOWER ASSEMBLY | 04B30-127D-01 |
| | GF34 | BLOWER ASSEMBLY | 04B30-128D-01 |
| | GF48 | BLOWER ASSEMBLY | 04B30-129D-01 |
| 12 | GF24 | EVAPORATOR DRAIN PAN | 23B03-002C |
| | GF34 | EVAPORATOR DRAIN PAN | 23B03-001C |
| | GF48 | EVAPORATOR DRAIN PAN | 23B03-004C |
| 13 | GF24/34/48 | DEFROST TIMER | 502-171A |
| 14 | GF24/34/48 | TEMPERATURE CONTROL | 502-067ABB |
| 15 | GF24/34/48 | DEFROST LIMIT SWITCH | 502-089A |
| 16 | GF24/34/48 | EVAP. FAN MOTOR (.21 AMPS 115-60) | 501-138B |
| 17 | GF24/34/48 | EVAP. FAN BLADE | 405-043A |
| 18 | GF24/34/48 | EVAP. MOTOR BRACKET | 04A42-006B |



GF24/34/48
REFRIGERATION COMPONENTS

| ILLUS # | MODEL | DESCRIPTION | PART # |
|---------|------------|---|----------------------------|
| 1 | GF24 | REFRIGERATION SYSTEM | 19B36-067D-01 |
| | GF34 | REFRIGERATION SYSTEM | 19B36-068D-01 |
| | GF48 | REFRIGERATION SYSTEM | 19B36-069D-01 |
| 2 | GF24 | CONDENSING UNIT | 19B34-027D-01 |
| | GF34/48 | CONDENSING UNIT | 19B34-028D-01 |
| 3 | GF24/34/48 | COMPRESSOR1/3HP 115-60 TEC- AEA2411ZXA | 302-943B |
| 4 | GF24/34/48 | RELAY | 302-963A |
| 5 | GF24/34/48 | OVERLOAD | 313-004A |
| 6 | GF24/34/48 | CAP/RELAY ASSEMBLY | 317-004A |
| 7 | GF24 | CONDENSER COIL (4-1/2"X6-7/8"X3") | 305-047C |
| | GF34/48 | CONDENSER COIL (7-3/8"X7-7/8"X3") | 305-054C |
| 8 | GF24/34/48 | CONDENSER FAN MOTOR (5 WATTS 115-60) | 501-019B |
| 9 | GF24/34/48 | CONDENSER FAN BLADE 6.75" (3 PET ALUM) | 405-015A-- |
| 10 | GF24/34/48 | DRYER | 303-143A |
| 11 | GF24 | EVAPORATOR COIL ASSEMBLY | 19B31-005D-01 |
| | GF34 | EVAPORATOR COIL ASSEMBLY | 19B31-006D-01 |
| | GF48 | EVAPORATOR COIL ASSEMBLY | 19B31-007D-01 |
| 12 | GF24 | SUCTION LINE/CAP ASSEMBLY | 19B30-023D |
| | GF34/48 | SUCTION LINE/CAP ASSEMBLY | 19B30-024D |
| 13 | GF24 | CAPILLARY TUBE (.042ID X .092OD X 96") | 203-131A |
| | GF34/48 | CAPILLARY TUBE (.042ID X .093OD X 144") | 203-059A-- |
| 14 | GF24 | DEFROST HEATER | 504-574B |
| | GF34 | DEFROST HEATER | 504-438B |
| | GF48 | DEFROST HEATER | 504-513B |
| 15 | GF24 | EVAPORATOR COIL (15-1/4"X5"X3") | 305-219C |
| | GF34 | EVAPORATOR COIL (25-1/4"X5"X3") | 305-067C |
| | GF48 | EVAPORATOR COIL (39-1/4"X5"X3") | 305-228C |
| 16 | GF24/34/48 | ACCUMULATOR | 303-094A |
| 17 | GF24/34/48 | CONDENSATE PAN ASSEMBLY | 08B30-026C |