



Innovative Foodservice Equipment Custom  
Designed for Performance, Service and Value.

## INSTALLATION AND OPERATING INSTRUCTIONS

# Wall Mount/Under Counter Proofer/Holding Cabinet

Models: PHC23-AR10 & PHC23-AR12

**INTENDED FOR OTHER THAN HOUSEHOLD USE  
RETAIN THIS MANUAL FOR FUTURE REFERENCE  
UNIT MUST BE KEPT CLEAR OF COMBUSTIBLES AT ALL TIMES**



### FOR YOUR SAFETY

Do not store or use gasoline or other flammable vapors and liquids in the vicinity of this or any other appliance.



### WARNING

Improper installation, adjustment, alteration, service or maintenance can cause property damage, injury or death. Read the Installation, Operating and Maintenance Instructions thoroughly before installing or servicing this equipment.



This equipment has been engineered to provide you with year round dependable service when used according to the instructions in this manual and standard commercial kitchen practices.

P/N 780097 3/06

Phone: +1 (214) 421-7366  
Fax: +1 (214) 565-0976  
Toll Free: +1 (800) 441-1601  
Website: [www.BevLes.com](http://www.BevLes.com)  
E-mail: [sales@BevLes.com](mailto:sales@BevLes.com)

**BevLes**  
729 Third Avenue  
Dallas, TX 75226









The **BevLes Company** takes pride in the design and quality of our products. When used as intended and with proper care and maintenance, you will experience years of reliable operation from this equipment. To ensure best results, it is important that you read and follow the instructions in this manual carefully. Installation and start-up should be performed by a qualified installer who thoroughly read, understands and follows these instruction.

If you have questions concerning the installation, operation, maintenance or service of this product, write Technical Service Department BevLes Company, Inc., 729 Third Avenue, Dallas, TX 75226

## SAFETY PRECAUTIONS













Before installing and operating this equipment be sure everyone involved in its operation is fully trained and aware of all precautions. Accidents and problems can result by a failure to follow fundamental rules and precautions.















The following words and symbols, found in this manual, alert you to hazards to the operator, service personnel or the equipment. The words are defined as follows:

-  **DANGER:** This symbol warns of imminent hazard which may result in serious injury or death. 
-  **WARNING:** This symbol refers to a potential hazard or unsafe practice, which could result in serious injury or death. 
-  **CAUTION:** This symbol refers to a potential hazard or unsafe practice, which may result in minor or moderate injury or product or property damage. 
-  **NOTICE:** This symbol refers to information that needs special attention or must be fully understood even though not dangerous. 

## GENERAL INFORMATION

### THIS MANUAL SHOULD BE RETAINED FOR FUTURE REFERENCE

-  **CAUTION:** These models are designed, built, and sold for commercial use. If these models are positioned so the general public can use the equipment make sure that cautions, warnings, and operating instructions are clearly posted near each unit so that anyone using the equipment will use it correctly and not injure themselves or harm the equipment. 
-  **WARNING:** Check the data plate on this unit before installation. Connect the unit only to the voltage and frequency listed on the data plate. Connect only to single phase as listed on the data plate. 
-  **WARNING:** Electrical and grounding connections must comply with the applicable portions of the national electrical code and/or other local electrical codes. 
-  **WARNING:** This appliance must be serviced by an Authorized Service Technician only. Before cleaning or servicing the unit, disconnect device from electrical power supply and place a Tag Out-Lockout on the power plug, indicating that you are working on the circuit. 
-  **WARNING:** Install per the spacing requirements listed in the installation section of this manual. We strongly recommend having a competent professional install the equipment. A licensed electrician should make the electrical connections and connect power to the unit. Local codes should always be used when connecting these units to electrical power. In the absence of local codes, use the latest version of the National Electrical Code. 
-  **WARNING:** This device should be safely and adequately grounded in accordance with local codes, or in the absence of local codes, with the National Electrical code, ANSI/NFPA 70, Latest Edition to protect the user from electrical shock. It requires a grounded system and a dedicated circuit, protected by a fuse or circuit breaker of proper size and rating. Canadian installation must comply with the Canadian Electrical Code, CSAC22.2, as applicable. 

	<b>WARNING:</b> Never clean any electrical unit by immersing it in water. Turn off before cleaning surface.	
	<b>WARNING:</b> An earthing cable must connect the appliance to all other units in the complete installation and from there to an independent earth connection.	
	<b>NOTICE:</b> The unit when installed, must be electrically grounded and comply with local codes, or in the absence of local codes, with the national electrical code ANSI/NFPA70- latest edition. Canadian installation must comply with CSA-STANDARD C.22.2 Number 0 M1982 General Requirements-Canadian Electrical Code Part II, 109-M1981- Commercial Cooking Appliances.	
	<b>WARNING: SHOCK HAZARD -</b> De-energize all power to equipment before cleaning the equipment.	
	<b>NOTICE:</b> This product is intended for commercial use only. Not for household use.	
	<b>NOTICE:</b> Local codes regarding installation vary greatly from one area to another. The National Fire Protection Association, Inc. states in its NFPA96 latest edition that local codes are "Authority Having Jurisdiction" when it comes to requirement for installation of equipment. Therefore, installation should comply with all local codes.	
	<b>WARNING: SHOCK HAZARD -</b> Do not open any panels that require the use of tools.	

**IMMEDIATELY INSPECT FOR SHIPPING DAMAGE**

All containers should be examined for damage before and during unloading. The freight carrier has assumed responsibility for its safe transit and delivery. If equipment is received damaged, either apparent or concealed, a claim must be made with the delivering carrier.

- A) Apparent damage or loss must be noted on the freight bill at the time of delivery. It must then be signed by the carrier representative (Driver). If this is not done, the carrier may refuse the claim. The carrier can supply the necessary forms.
- B) If concealed damage or loss is not apparent until after equipment is uncrated, a request for inspection must be made to the carrier within 15 days. The carrier should arrange an inspection. Be certain to hold all contents and packaging material.

Installation and start-up should be performed by a qualified installer who has thoroughly read, understands and follows these instructions.

**TABLE OF CONTENTS**

<b>ITEM</b>	<b>PAGE</b>
Safety Precautions .....	2
General Information .....	2
Operating Instructions .....	4
Maintenance .....	4
Service .....	4
Warranty Information .....	4
Specifications .....	5
Wiring Diagram .....	5
Parts List & Exploded Views .....	6
Warranty .....	11

## OPERATING INSTRUCTIONS

1. Remove Lexan water pan cover.
2. Fill water pan to 3/4 full (hot tap water is recommended when starting your proofing operation).
3. Replace Lexan water pan cover.
4. Set thermostat (black knob) to desired proofing temperature (90° to 100°F is recommended as a starting position - increase or decrease as needed to best suit your product).
5. Set humidity control (white knob) to position #3. This can then be adjusted if necessary to suit your specific product.
6. Make certain that a standard 18" X 26" pan has been inserted as a drip pan in the runners on the bottom (outside) of the proofer.
7. Push the lighted power switch to the ON position. Always turn the unit ON or OFF with this control.

### NOTE:

It is recommended that humidity to be kept to the minimum level that is practical for your product. Excessive humidity with condensation on the walls and floor of the cabinet is not considered desirable. You should attempt to maintain the water pan at a level of 1/2 full to 3/4 full during operation.

## MAINTENANCE

### CLEANING

This product was designed and built for maximum sanitation. It is not self cleaning, so it should be cleaned frequently with soap and water.

### NEVER USE STEEL WOOL OR CAUSTIC CLEANING COMPOUNDS

1. Make sure that the unit is turned off.
2. Unplug from electrical service.
3. Remove Lexan doors by lifting them up and pulling out the bottom edge first.
4. Remove pan supports from sides and center of cabinet, and then remove the two Lexan water pan covers.
5. Clean inside of cabinet with soap and water. Clean clear Lexan water pan covers and Lexan cabinet doors with soft sponge, soap and water. NEVER USE HARSH MATERIALS OR ABRASIVES FOR CLEANING LEXAN, thereby avoiding scratching.
6. Remove the 18" X 26" collector pan from underneath the cabinet and empty and clean as needed.

**We suggest that you clean the water pan at least once a month with a solution of white vinegar and hot water. Allow solution to remain in the water pan overnight. Use a soft cloth to wipe away any mineral buildup. Do not use any harsh cleaning solutions on this cast aluminum water pan. Do not scratch the inner surface of the pan as this will result in more rapid mineral buildup.**

## SERVICE

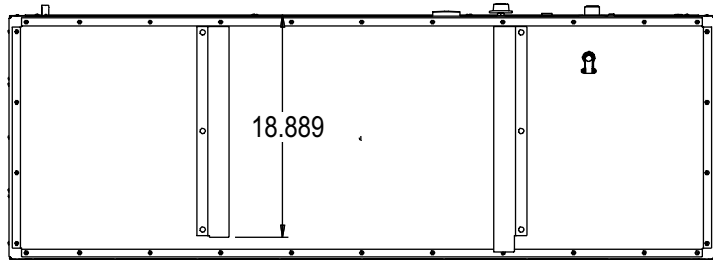
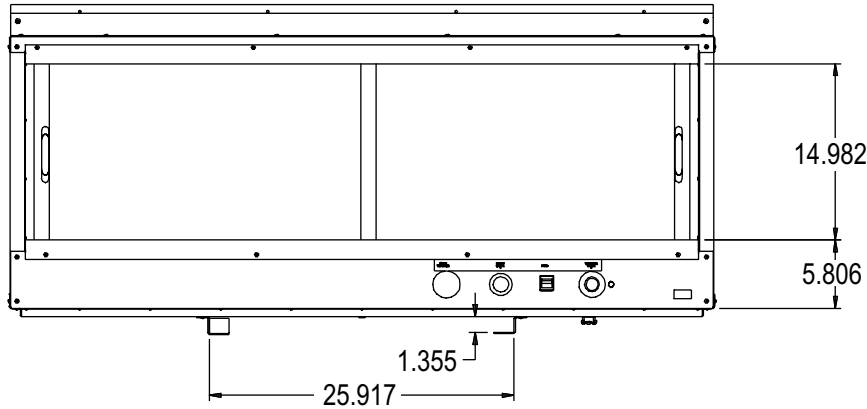
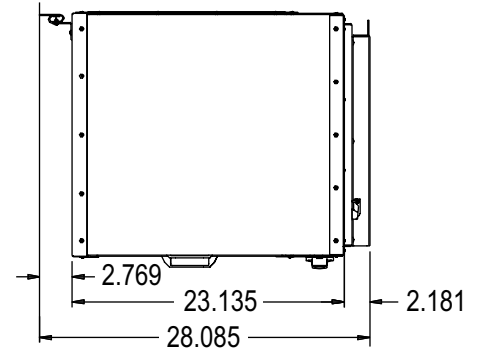
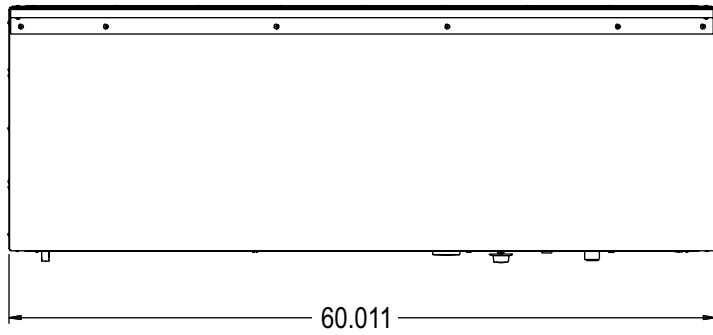
Phone the BevLes Company Manufacturing Facility for the name of the nearest authorized service representative in your area . (800) 441-1601.

If replacement parts are ever required, only use parts that have been approved by the manufacturer.

## WARRANTY INFORMATION

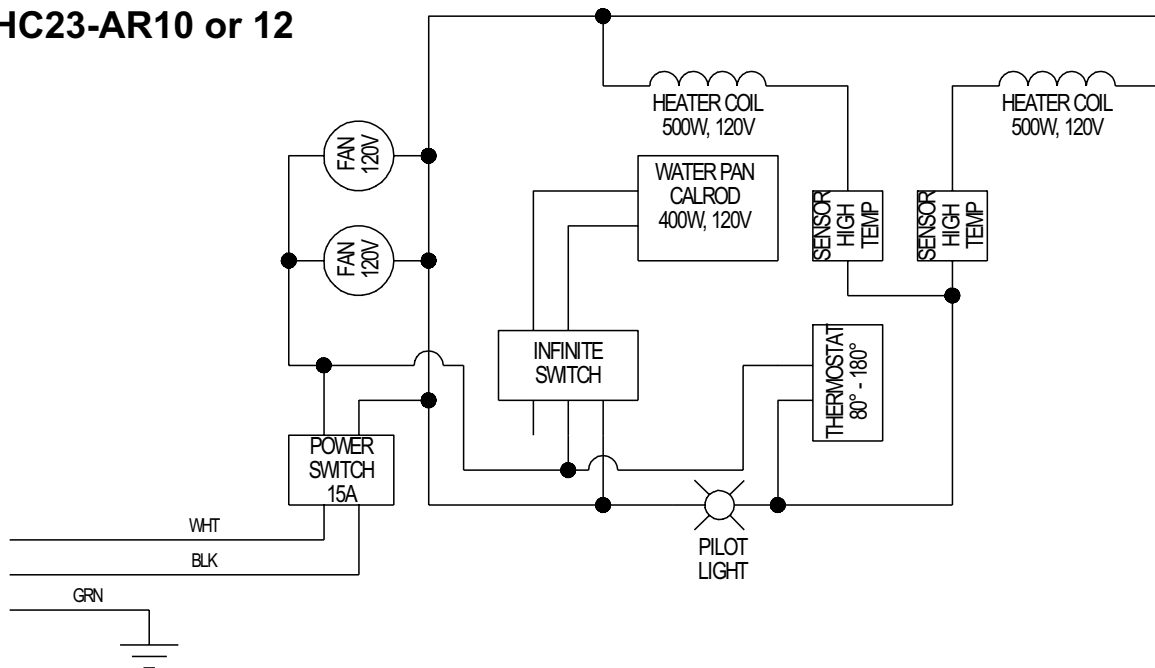
See Warranty on page 11. To determine if your cabinet is still covered by warranty, telephone the BevLes Manufacturing Facility at (800) 441-1601. Give them the serial and model numbers which are located on the product identification plate at the right end of the control module.

# SPECIFICATIONS



# WIRING DIAGRAM - WALL MOUNT/UNDER COUNTER PROOFER/HOLDING CABINET

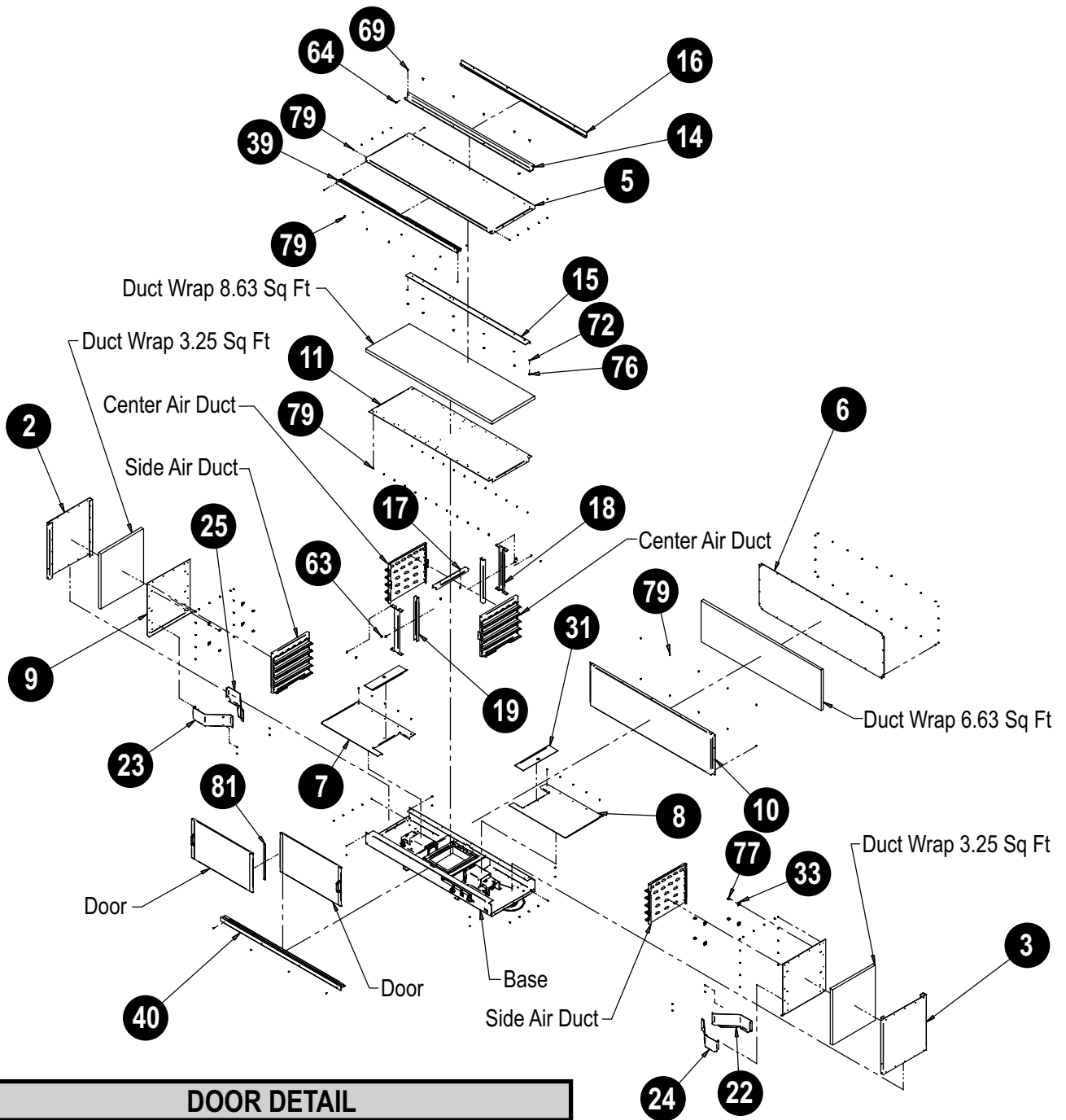
## PHC23-AR10 or 12



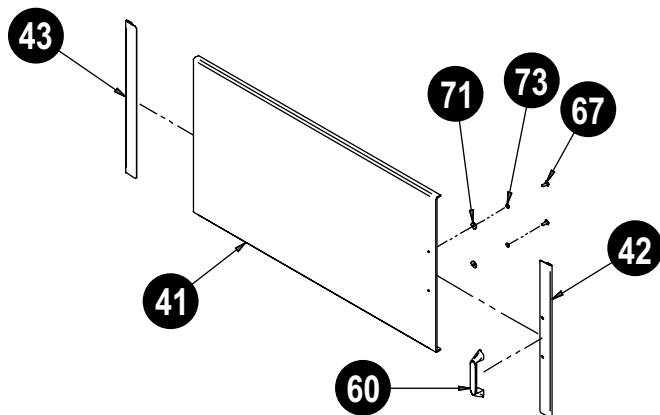
## PARTS LIST & EXPLODED VIEWS

ITEM	P/N	DESCRIPTION	QTY	ITEM	P/N	DESCRIPTION	QTY
1	741522	BASE, OUTER	1	49	782116	LIGHT, INDICATOR, 125V	1
2	741534	SIDE, OUTER	1	50	784056	THERMOMETER, 14" STEM	1
3	740921	PANEL, SIDE, OUTER, RIGHT	1	51	784300	ELEMENT, COIL, 500W, 120V	2
4	741526	COVER, BASE, OUTER	1	52	782208	THERMOSTAT	2
5	741542	TOP, OUTER	1	53	782092	KNOB, INFINTE SWITCH	1
6	741518	BACK, OUTER	1	54	784130	KNOB, THERMOSTAT	1
7	746504	INNER BASE, LEFT	1	55	782280	NUT, THERMOSTAT	1
8	741530	INNER BASE, RIGHT	1	56	8967200	BUSHING, SNAP .5 HOLE NYLON	10
9	741538	SIDE, INNER	2	57	8967000	BUSHING, SNAP HEYCO .5" I.D.	1
10	741514	BACK, INNER	1	58	783032	OBSOLETE USE 1101500	1
11	741546	TOP, INNER	1	59	784528	BOLT, DRAIN, CANOPY	1
12	746508	SLIDE, DRIP PAN, LEFT	1	60	784124	HANDLE, DRAWER PULL	2
13	741612	SLIDE, DRIP PAN, RIGHT	1	61	8861000	LABEL, SERIAL NUMBER	1
14	741620	SUPPORT, CABINET	1	62	781069	DECAL, FRONT PANEL	1
15	741624	SUPPORT, WALL, INNER	1	63	783012	BUTTON, UPRIGHT	4
16	741616	SUPPORT, WALL	1	64	770169	SCREW, SHT METAL, #10 X 1/2, Z	4
17	741558	MULLION, TOP	1	65	770709	SCREW, RD HD SL #8-32 X 2 ZN	4
18	741550	MULLION, FRONT & REAR	2	66	8105800	SCREW, PH, 6-32x3/8, S/S	4
19	741554	COVER, MULLION	2	67	8159000	SCREW, TR HD, 10-24x1/2, Z	4
20	741598	AIR DUCT, MOTOR	1	68	8175900	SCREW, 10-32 X 1/2 TR HD	4
21	747365	AIR DUCT, MOTOR, LEFT	1	69	8177800	10-32 X 3/4 TR HD	6
22	741601	AIR, DUCT, MOTOR SIDE,RR	1	70	8502500	#8 FLAT WASHER, S/S	4
23	741602	AIR, DUCT, MOTOR SIDE,FL	1	71	8505300	FLAT WASHER, SAE #10	4
24	746506	AIR DUCT, MOTOR SIDE, RF	1	72	8506600	WASHER, FLAT, #10, S/S	10
25	746507	AIR DUCT, MOTOR SIDE, RR	1	73	8506200	WASHER, LOCK, INT, #10, Z	4
26	741604	MOTOR MOUNT, SIDE, RIGHT	1	74	8402900	NUT, HEX, 6-32 SS	4
27	746505	MOTOR MOUNT, SIDE, LEFT	1	75	8408300	#8-32 HEX NUT, KEPS, NI	4
28	741570	SUPPORT, WATER PAN	1	76	8417100	NUT, HEX, KEPS 10-32	10
29	741574	EXTENSION, WATER PAN FRONT	2	77	770000	RIVET, SOFT, 1/2 SHINY, 390/LB	74
30	741594	EXTENSION, WATER PAN SIDE	2	78	770076	RIVET, 3/16 x 7/16, GR .125-.250	10
31	760400	COVER, WATER PAN	2	79	8353400	RIVET, POP 3/16 FLUSHBREAK	230
32	741608	BRACKET, HEATING ELEMENT	2	80	782076	POWER CORD 15A PICA 14-3	1
33	740945	CLIP, MTG, AIR DUCT	8	81	1037100	SEALING STRIP, 1/8x1/2	2 FT
34	741630	AIR DUCT, SIDE	2	95	782222	FITTING, 1/2NPT ADAPTER	1
35	741504	AIR DUCT, CENTER	2	82*	1023200	DUCT WRAP, 48' x 1.5"	22 SQFT
36	741628	SUPPORT, AIR DUCT, CENTER	4	83*	770003	LAG BOLT, 1/4 x 1 1/2	4
37	750868	RUNNER, ANGLE	16	84*	784684	CORD 36" - AXIAL FAN	2
38	750920	SUPPORT, PAN, CENTER, BOTTOM	4	85*	784072	WIRE SET, 120V, WALL PRFR	1
39	750924	DOOR TRACK, TOP	1	86*	783026	WIRE NUT, YEL	6
40	750928	DOOR TRACK, BOTTOM	1	87*	784052	WIRE NUT, ORANGE	3
41	760396	DOOR, POLYCARB, LEFT & RIGHT	2	88*	783024	WIRE NUT, RED	3
42	741566	DOOR, EDGE, WITH HANDLE HOLES	2	89*	8980400	CLAMP 1/4" LOOP NYLON WHITE	1
43	741562	DOOR, EDGE	2	90*	784721	CLAMP 3/16" NYLON	1
44	720079	ASSEMBLY, WATER PAN SET	1	91*	791136	TIE, CABLE, 5 3/5 NYLON	2
45	784348	FAN,COOLING, 115V	2	92*	1501700	TIE, CABLE, 4"	1
46	782012	THERMOSTAT, 80° - 180°	1	93*	791184	CARTON, WLPF	1
47	782088	SWITCH, INFINTE	1	94*	780097	MANUAL, PROOFER WALL MTG	1
48	782556	SWITCH, ROCKER, 15A	1			<b>*NOT SHOWN</b>	

# CABINET - EXPLODED VIEW

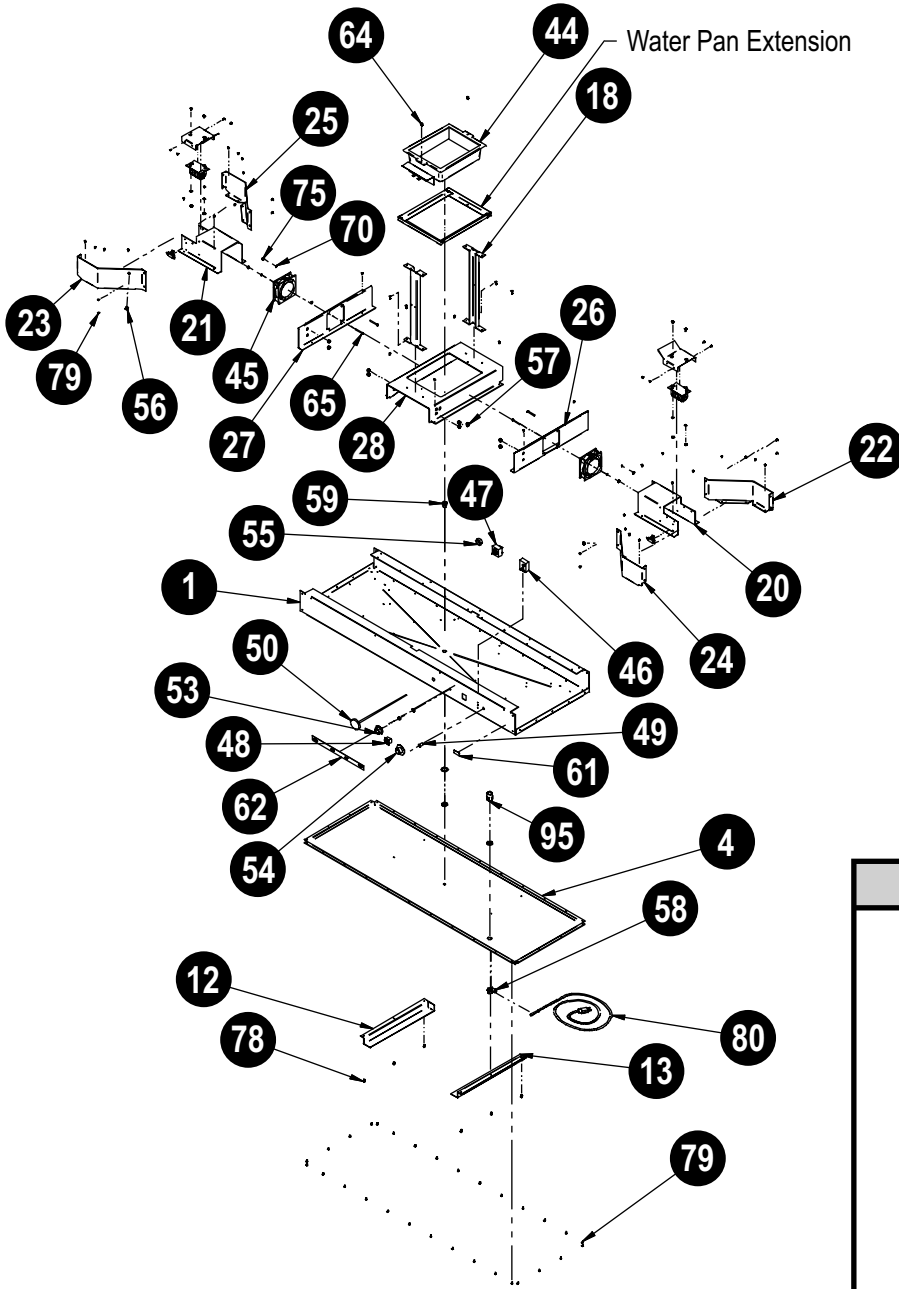


## DOOR DETAIL

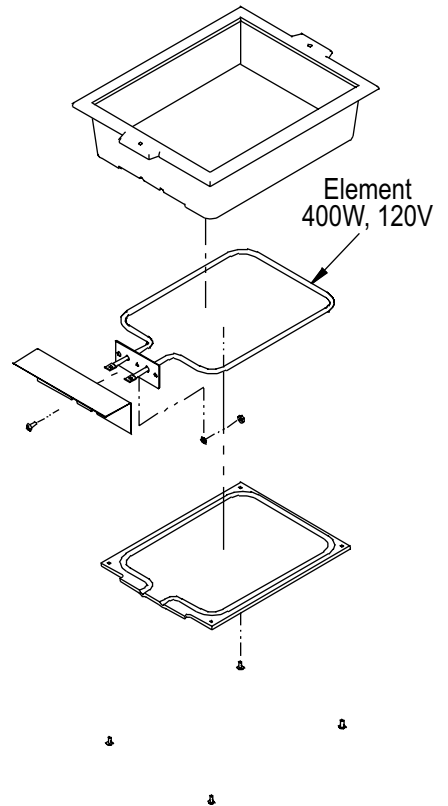


# BASE DETAIL, WATER PAN EXT. DETAIL & WATER PAN - EXPLODED VIEWS

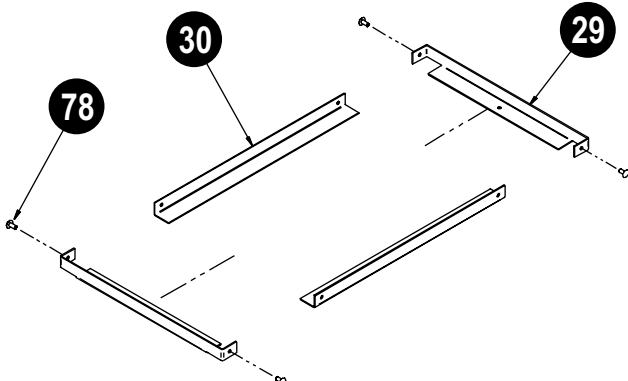
## BASE DETAIL



## WATER PAN



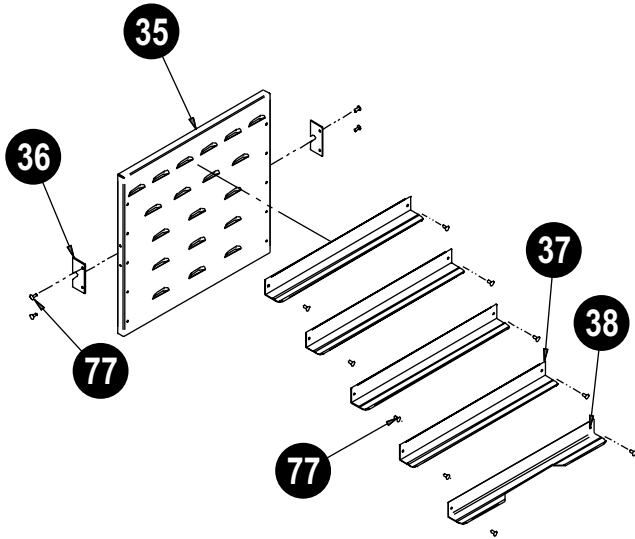
## WATER PAN EXTENSION DETAIL



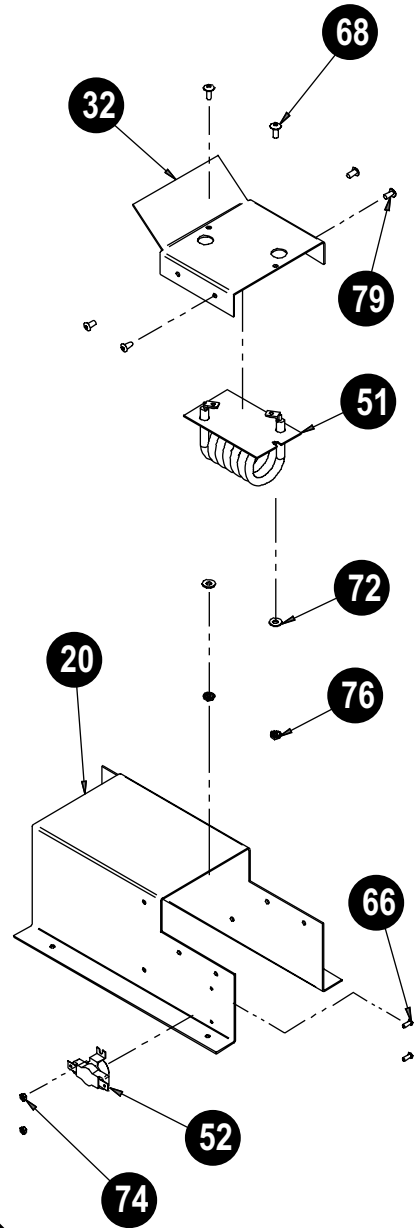


# CENTER AIR DUCT, MOTOR AIR DUCT & END AIR DUCT DETAILS - EXPLODED VIEWS

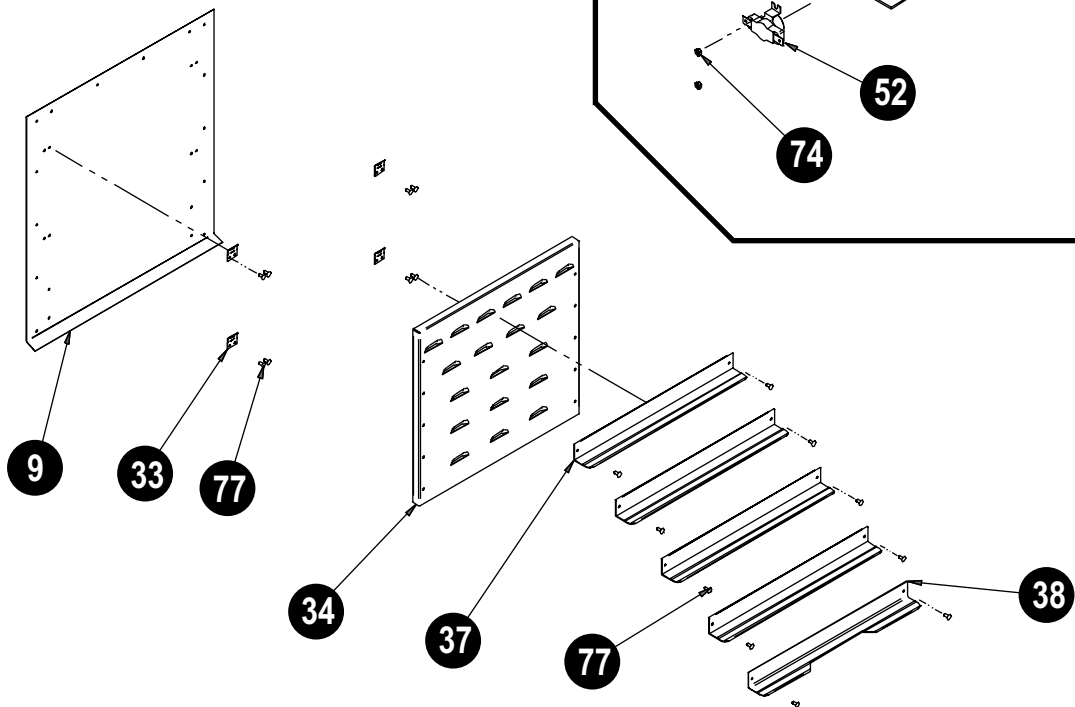
## CENTER AIR DUCT DETAIL



## MOTOR AIR DUCT DETAIL



## END AIR DUCT DETAIL



# IMPORTANT FOR FUTURE REFERENCE

Please complete this information and retain this manual for the life of the equipment. For Warranty Service and/or Parts, this information is required.

\_\_\_\_\_ Model Number \_\_\_\_\_

\_\_\_\_\_ Serial Number \_\_\_\_\_

\_\_\_\_\_ Date Purchased \_\_\_\_\_

**Notes:** \_\_\_\_\_

\_\_\_\_\_

\_\_\_\_\_

\_\_\_\_\_

\_\_\_\_\_

\_\_\_\_\_

\_\_\_\_\_

\_\_\_\_\_

\_\_\_\_\_

\_\_\_\_\_

\_\_\_\_\_

\_\_\_\_\_

\_\_\_\_\_

\_\_\_\_\_

\_\_\_\_\_

\_\_\_\_\_

\_\_\_\_\_

\_\_\_\_\_

\_\_\_\_\_

\_\_\_\_\_

\_\_\_\_\_

\_\_\_\_\_

\_\_\_\_\_

\_\_\_\_\_



## BEVLES COMPANY LIMITED WARRANTY

729 Third Avenue \* Dallas, TX 75226

Phone: +1 (214) 421-7366 Fax: +1 (214) 565-0976

1. Bevles warrants to the original purchaser that on the date the equipment is shipped (sold), it will be free of defects in materials or workmanship. Bevles will, at it's discretion, repair or replace, during the warranty period printed below, any part that has a defect in material or workmanship that was present when the product shipped from Bevles, and which manifests itself during the warranty period under normal use and service.
  - Parts: Two\* years from date of original shipment from the Bevles factory.
  - Labor: One\*\* year from date of original shipment from the Bevles factory.

\* Air Circulation Blower Assemblies (motors) and Power Switches shall be one year from date of original shipment.

Calrod "Air" Heating Elements shall be three years from date of original shipment.

\*\* All electrical components 120 days from date of original shipment.
2. Bevles must be contacted, and pre-approval must be issued by the Bevles factory prior to any type of service being performed. Bevles assumes no responsibility for any charges that were not expressly authorized by the Bevles factory, or for any charges that exceed, in Bevles' sole judgement, normal and customary amounts.
3. Bevles will pay UPS Ground charges for any part that has a defect in material or workmanship that was present when the product shipped from Bevles, and which manifests itself during the **first year** of the warranty period under normal use and service. All warranty replacement parts will ship F.O.B. Bevles factory, Cheyenne, WY 82007..
4. This warranty shall be void in its entirety if any abuse of, misuse of, alteration/modification of or improper maintenance of original product occurs. If, at any time a claim is reported to Bevles, the purchaser is delinquent in payment for the product, warranty will not apply.
5. Buyer's Remedies-If a Bevles product fails due to a defect in material or workmanship in conformity with the warranties in paragraph one, buyer shall notify Bevles of such failure within a reasonable time, but in no event beyond fifteen (15) days of such discovery of defect in material or workmanship. Bevles shall provide, in its sole discretion, either the repair or replacement of any defective or any non-conforming part. Bevles specifically disavows any other representation, warranty or liability relating to the continued use of the product.
6. Exclusion of consequential and incidental damages-In no event shall Bevles be liable for any incidental, special, indirect, or consequential damages, whether resulting from non-delivery or from the use, misuse, or inability to use the product, or from defects in the product, or from Bevles' own negligence or other tort. This exclusion applies regardless of whether such damages are sought for breach of warranty, breach of contract, negligence, or strict liability in tort or under any other legal theory.
7. Disclaimer of warranties-The warranties contained in paragraph one above are the exclusive warranties given by Bevles and supersede any prior, contrary, or additional representations, whether oral or written. Bevles hereby disclaims and excludes all other warranties-whether expressed, implied, or statutory-including any warranty of merchantability, any warranty of fitness for a particular purpose, and any implied warranties otherwise arising from course of dealing or usage of trade.



Innovative Foodservice Equipment Custom  
Designed for Performance, Service and Value.

---

Phone: +1 (214) 421-7366  
Fax: +1 (214) 565-0976  
Toll Free: +1 (800) 441-1601  
Website: [www.BevLes.com](http://www.BevLes.com)  
E-mail: [sales@BevLes.com](mailto:sales@BevLes.com)

**BevLes**  
729 Third Avenue  
Dallas, TX 75226