



Innovative Foodservice Equipment Custom
Designed for Performance, Service and Value.

INSTALLATION AND OPERATING INSTRUCTIONS

Proofer / Hot Cabinet

Models:

PHC70-MP17
PHC70-MP17INS

INTENDED FOR OTHER THAN HOUSEHOLD USE
RETAIN THIS MANUAL FOR FUTURE REFERENCE
UNIT MUST BE KEPT CLEAR OF COMBUSTIBLES AT ALL TIMES



FOR YOUR SAFETY

Do not store or use gasoline or other flammable vapors and liquids in the vicinity of this or any other appliance.



WARNING

Improper installation, adjustment, alteration, service or maintenance can cause property damage, injury or death. Read the Installation, Operating and Maintenance Instructions thoroughly before installing or servicing this equipment.



This equipment has been engineered to provide you with year round dependable service when used according to the instructions in this manual and standard commercial kitchen practices.

P/N 780094 5/08

Phone: +1 (214) 421-7366
Fax: +1 (214) 565-0976
Toll Free: +1 (800) 441-1601
Website: www.BevLes.com
E-mail: sales@BevLes.com

BevLes
729 Third Avenue
Dallas, TX 75226

The BevLes Company takes pride in the design and quality of our products. When used as intended and with proper care and maintenance, you will experience years of reliable operation from this equipment. To ensure best results, it is important that you read and follow the instructions in this manual carefully.









Installation and start-up should be performed by a qualified installer who thoroughly reads, understands and follows these instruction.

If you have questions concerning the installation, operation, maintenance or service of this product, write Technical Service Department BevLes Company, Inc., 729 Third Avenue, Dallas, TX 75226

SAFETY PRECAUTIONS













Before installing and operating this equipment be sure everyone involved in its operation is fully trained and aware of all precautions. Accidents and problems can result from a failure to follow fundamental rules and precautions.















The following words and symbols, found in this manual, alert you to hazards to the operator, service personnel or the equipment. The words are defined as follows:

-  **DANGER:** This symbol warns of imminent hazard which may result in serious injury or death. 
-  **WARNING:** This symbol refers to a potential hazard or unsafe practice, which could result in serious injury or death. 
-  **CAUTION:** This symbol refers to a potential hazard or unsafe practice, which may result in minor or moderate injury or product or property damage. 
-  **NOTICE:** This symbol refers to information that needs special attention or must be fully understood even though not dangerous. 

GENERAL INFORMATION

THIS MANUAL SHOULD BE RETAINED FOR FUTURE REFERENCE

-  **CAUTION:** These models are designed, built, and sold for commercial use. If these models are positioned so the general public can use the equipment make sure that cautions, warnings, and operating instructions are clearly posted near each unit so that anyone using the equipment will use it correctly and not injure themselves or harm the equipment. 
-  **WARNING:** Check the data plate on this unit before installation. Connect the unit only to the voltage and frequency listed on the data plate. Connect only to 1 phase as listed on the data plate. 
-  **WARNING:** Electrical and grounding connections must comply with the applicable portions of the national electrical code and/or other local electrical codes. 
-  **WARNING:** Disconnect device from electrical power supply and place a Tag Out-Lockout on the power plug, indicating that you are working on the circuit. 
-  **WARNING:** Install per the spacing requirements listed in the installation section of this manual. We strongly recommend having a competent professional install the equipment. A licensed electrician should make the electrical connections and connect power to the unit. Local codes should always be used when connecting these units to electrical power. In the absence of local codes, use the latest version of the National Electrical Code. 
-  **WARNING:** This device should be safely and adequately grounded in accordance with local codes, or in the absence of local codes, with the National Electrical Code, ANSI/NFPA 70, Latest Edition to protect the user from electrical shock. It requires a grounded system and a dedicated circuit, protected by a fuse or circuit breaker of proper size and rating. Canadian installation must comply with the Canadian Electrical Code, CSAC22.2, as applicable. 

	WARNING: Never clean any electrical unit by immersing it in water. Turn off before cleaning surface.	
	WARNING: An earthing cable must connect the appliance to all other units in the complete installation and from there to an independent earth connection.	
	NOTICE: The unit when installed, must be electrically grounded and comply with local codes, or in the absence of local codes, with the national electrical code ANSI/NFPA70- latest edition. Canadian installation must comply with CSA-STANDARD C.22.2 Number 0 M1982 General Requirements-Canadian Electrical Code Part II, 109-M1981- Commercial Cooking Appliances.	
	WARNING: <i>SHOCK HAZARD</i> - De-energize all power to equipment before cleaning the equipment.	
	NOTICE: This product is intended for commercial use only. Not for household use.	
	NOTICE: Local codes regarding installation vary greatly from one area to another. The National Fire Protection Association, Inc. states in its NFPA96 latest edition that local codes are "Authority Having Jurisdiction" when it comes to requirement for installation of equipment. Therefore, installation should comply with all local codes.	
	WARNING: <i>SHOCK HAZARD</i> - Do not open any panels that require the use of tools.	

IMMEDIATELY INSPECT FOR SHIPPING DAMAGE

All containers should be examined for damage before and during unloading. The freight carrier has assumed responsibility for its safe transit and delivery. If equipment is received damaged, either apparent or concealed, a claim must be made with the delivering carrier.

A) Apparent damage or loss must be noted on the freight bill at the time of delivery. It must then be signed by the carrier representative (Driver). If this is not done, the carrier may refuse the claim. The carrier can supply the necessary forms.

B) If concealed damage or loss is not apparent until after equipment is uncrated, a request for inspection must be made to the carrier within 15 days. The carrier should arrange an inspection. Be certain to hold all contents and packaging material.

Installation and start-up should be performed by a qualified installer who thoroughly reads, understands and follows these instructions.

TABLE OF CONTENTS

Safety Precautions.....	2-3
General Information	2-3
Operating Instructions.....	4
Maintenance	4-5
Troubleshooting Tips	5
Thermostat Replacement	6
Total Unit Dimensions.....	7
Parts List & Parts Diagrams.....	8-10
Humidity-Heating Module Dimensions.....	11
Humidity-Heating Module Parts List & Parts Diagrams.....	12-15
Humidity-Heating Module Wiring Diagram	16
Notes	17-19
Warranty	20

OPERATING INSTRUCTIONS

PROOFING

1. Remove the Lexan® water pan cover.
2. Fill the water pan with water to 3/4 full. (Hot tap water is recommended when starting your proofing operation).
3. Replace the Lexan® water pan cover over the water pan and louvers. (Make certain that the front of the Lexan® cover completely encloses all of the louvers in the top of the humidity heating module).
4. Set the temperature control (black knob) to the desired temperature. 90° F to 100° F is recommended as a starting position. Increase or decrease the temperature as needed to best suit your product.
5. Set humidity control (white knob) to the #3 position. This can then be adjusted if necessary to suit your specific product.
6. Make certain that a standard 18" x 26" pan has been inserted as a drip pan in the runners on the bottom (outside) of the cabinet.
7. Push the power switch to the ON position. ALWAYS turn the unit ON or OFF with this control.

HOLDING

1. Remove Lexan® water pan cover.
2. Fill water pan to 3/4 full (if cabinet is cold, hot tap water is recommended).
3. You may operate the cabinet with or without the Lexan® water pan cover.
4. Set the thermostat (black knob) to a minimum of 145° F. You must hold food above 140° F to assist in preventing the growth of harmful bacteria. (Most foods are held at 160° F).
5. Set the humidity control (white knob) position to #4. This can then be increased if necessary to suit your specific product.
6. Make certain that a standard 18" x 26" pan has been inserted as a drip pan in the runners on the bottom (outside) of the cabinet.
7. Push the power switch to the ON position. Always turn the unit ON or OFF with this control.

NOTE:

It is recommended that humidity be kept to the minimum level that is practical for your product. Excessive humidity with condensation on the walls and/or floor of the cabinet is not considered desirable. You should attempt to maintain the water pan at the level of 1/2 full to 3/4 full during operation.

MAINTENANCE

CLEANING

This cabinet was designed and built for maximum sanitation. It is not self cleaning, so it should be cleaned frequently with soap and water.

1. NEVER USE STEEL WOOL OR CAUSTIC CLEANING COMPOUNDS.
2. Make sure that the unit is turned OFF and unplugged from the electrical service.
3. Remove the Lexan® water pan cover.
4. Remove the pan supports and vertical standards.
5. Remove the vent from the rear wall.
6. Clean inside of cabinet with soap and water. Clean clear Lexan® water pan cover and Lexan® cabinet door(s) with soft sponge, soap and water. NEVER USE HARSH MATERIAL OR ABRASIVES FOR CLEANING LEXAN® thereby avoiding scratching.
7. Remove and clean 18"x26" drip pan.

If desired, the humidity-heating module can be removed by loosening the two (2) black knurled knobs (one located at each side on the module on the exterior of the cabinet). The module can be pulled out of cabinet for additional cleaning. We Suggest that you clean the water pan at least once a month with a solution of

white vinegar and hot water. Allow white vinegar to remain in the water pan overnight. Then use a soft cloth to wipe away any mineral buildup.

IMPORTANT: When placing the humidity/heating module back in the cabinet, be sure to place the one inch air flow opening behind the cabinet back vent that hangs on the rear wall. This is necessary to maintain uniform temperature and humidity distribution.

SERVICE

Phone the BevLes Company Manufacturing Facilities for the nearest authorized service representative in your area (214) 421-7366 or toll free (800) 441-1601. If replacement parts are ever required, only use parts approved by the manufacturer.

WARRANTY

See warranty on page 8.

To determine if your cabinet is still covered by warranty, telephone the BevLes Manufacturing facilities at (214) 421-7366 or toll free (800) 441-1601. Give them the serial and model number which are located on the identification plate at the right end of the humidity-heating module.

TROUBLE SHOOTING TIPS

NO POWER

If your proofer/hot cabinet fails to start when power is applied via the power switch:

1. Check to see if the unit is properly plugged into the correct power source as specified on the serial number label.
2. Check to see that your power source (wall receptacle) has power-inspect circuit breaker.
3. Disconnect power cord and visually inspect for any damage.
4. Contact the manufacturer for assistance.

EXCESSIVE HUMIDITY

If your proofer/hot cabinet is producing excessive humidity:

1. Check the setting on the infinite switch (white knob) to see if it is set at a normal operating level.
2. Check the base of the cabinet to see if the excess humidity is draining through the drain hole in the center of the base.
3. Contact the manufacturer for assistance.

NO HUMIDITY

If your proofer/hot cabinet is producing no humidity, or considerably less than normally achieved:

1. Inspect water level in the water pan.
2. Check the setting on the infinite switch (white knob) to see if it is set at a normal operating level.
3. Check to see if the cabinet door(s) is completely closed.
4. Make certain that the humidity-heating module's one inch air flow opening (at rear of module) is behind the cabinet back vent that hangs on the rear wall of the cabinet.
5. Make certain that the Lexan® water Pan Cover is correctly positioned over the entire water pan and the louvers located in front of the water pan.
6. Make certain the fan blower is running.
7. Contact the manufacturer for assistance.

EXCESSIVE HEAT

If your proofer/hot cabinet temperature is higher than normal:

1. Check the setting on the thermostat knob to see if it is set at a normal operating level.
2. Check the ambient room temperature to see if it is greater than your desired temperature (when proofing).
3. Contact the manufacturer for assistance.

NO HEAT

If your proofer/hot cabinet is producing no heat, or considerably less than normally achieved:

1. Check the setting on the thermostat knob to see if it is set at a normal operating level.
2. Check to see if the cabinet door(s) is completely closed.

3. Make certain that humidity-heating module's one inch air flow opening (at rear of module) is behind the cabinet back vent that hangs on the rear wall of the cabinet.
4. Make certain that the fan blower is running.
5. Contact the manufacturer for assistance.

For information or service contact the BevLes Company at (214) 421-7366 or toll free (800) 441-1601. If replacement parts are ever required, only use parts that have been approved by the manufacturer. When contacting the manufacturer always have the model number and serial number of your proofer/hot cabinet. This information is located on the product identification plate at the right end of the humidity-heating module.

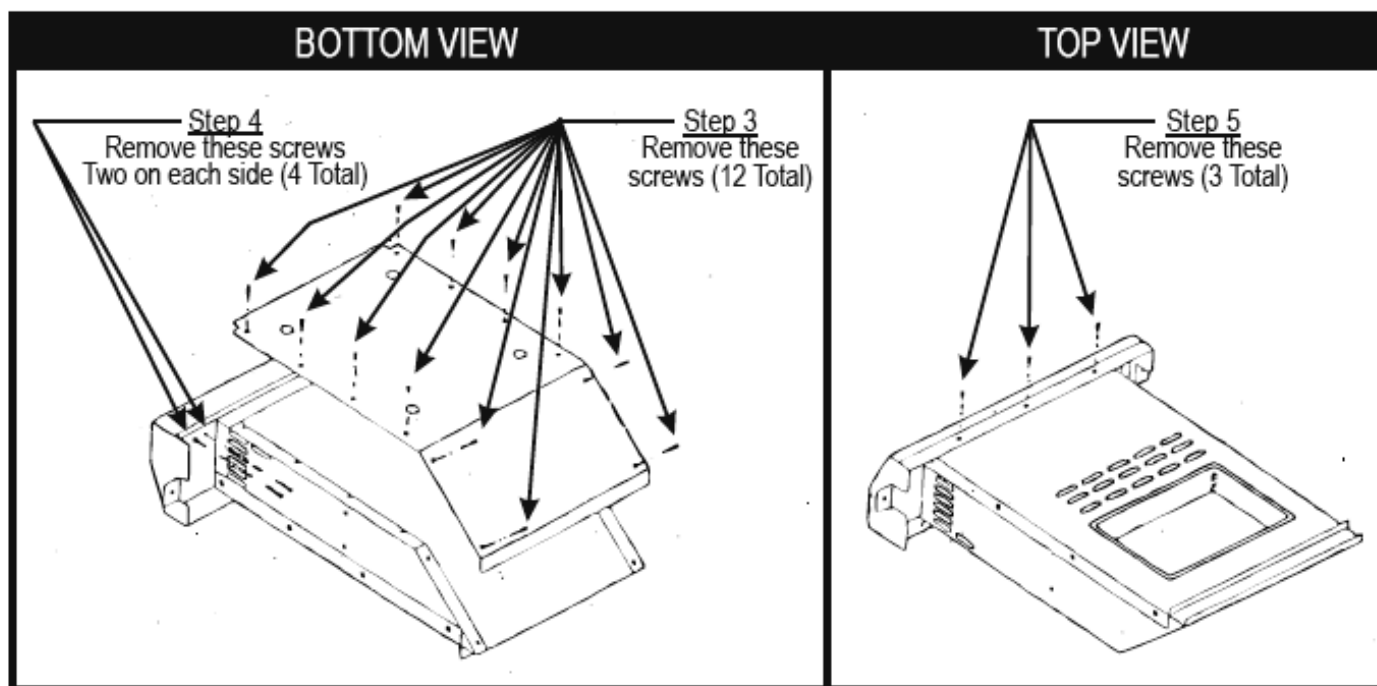
TO REPLACE THE THERMOSTAT ON THE PROOFER/HOT CABINET

MODELS: PHC70-MP17 AND PHC70-MP17INS

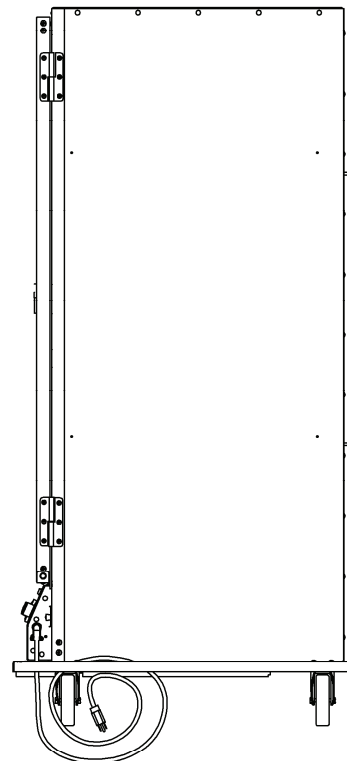
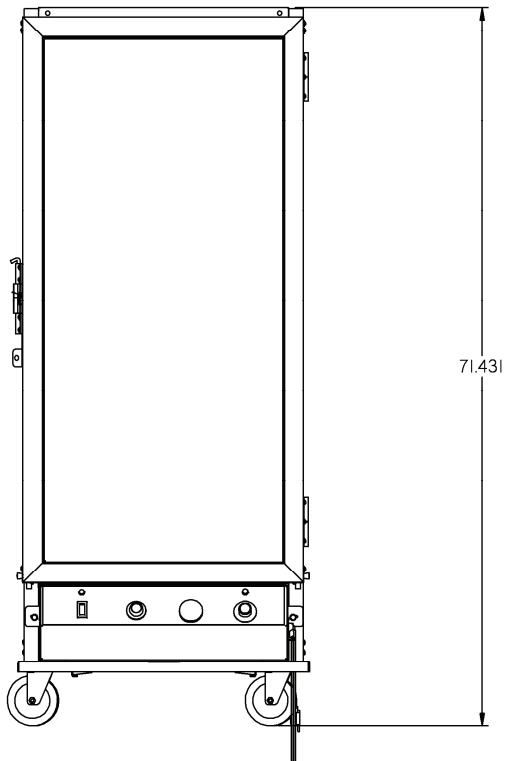
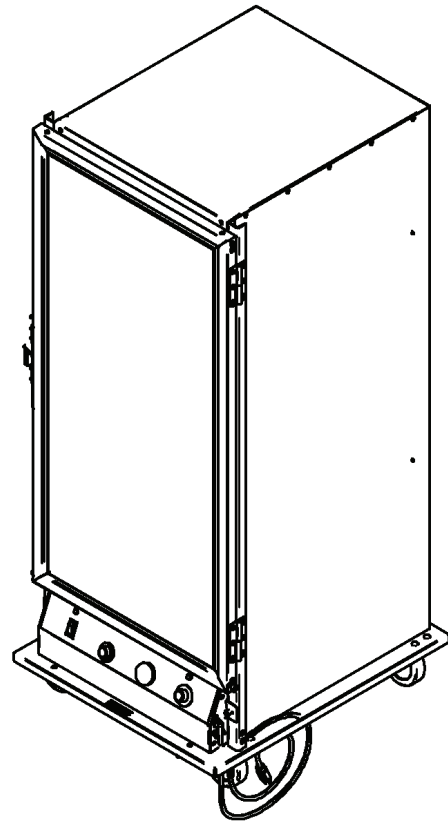
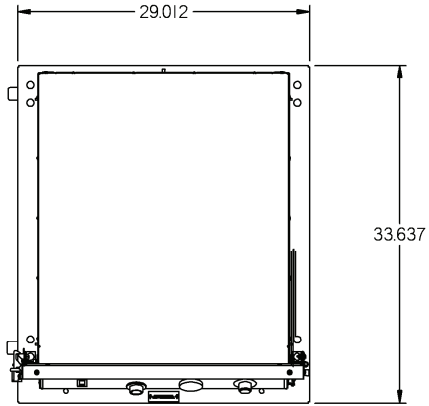
1. Remove the two (black) knurled knobs (one located at each side of the control panel).
2. Pull the humidity-heating module out from the cabinet. *Refer to drawings below for steps 3, 4 and 5.*
3. Remove the screws from the bottom of the module. (6 screws on each side, total of 12).
4. Remove screws from the back side of the control panel. (2 screws per side, total of 4).
5. Remove screws from the top edge of the control panel. (3 screws total).
6. Using a 5/64" Allen Wrench, remove the thermostat knob.
7. Remove (disconnect) thermostat bulb from inside the module (against the side wall).
8. Unscrew and remove the thermostat.

After installing new thermostat, reverse the above steps. Make certain that the one-inch air flow opening at the back of the humidity-heating module is up behind the cabinet's back vent hanging on the rear wall.

Refer to operation instructions and the wiring diagram for additional information.



TOTAL UNIT DIMENSIONS

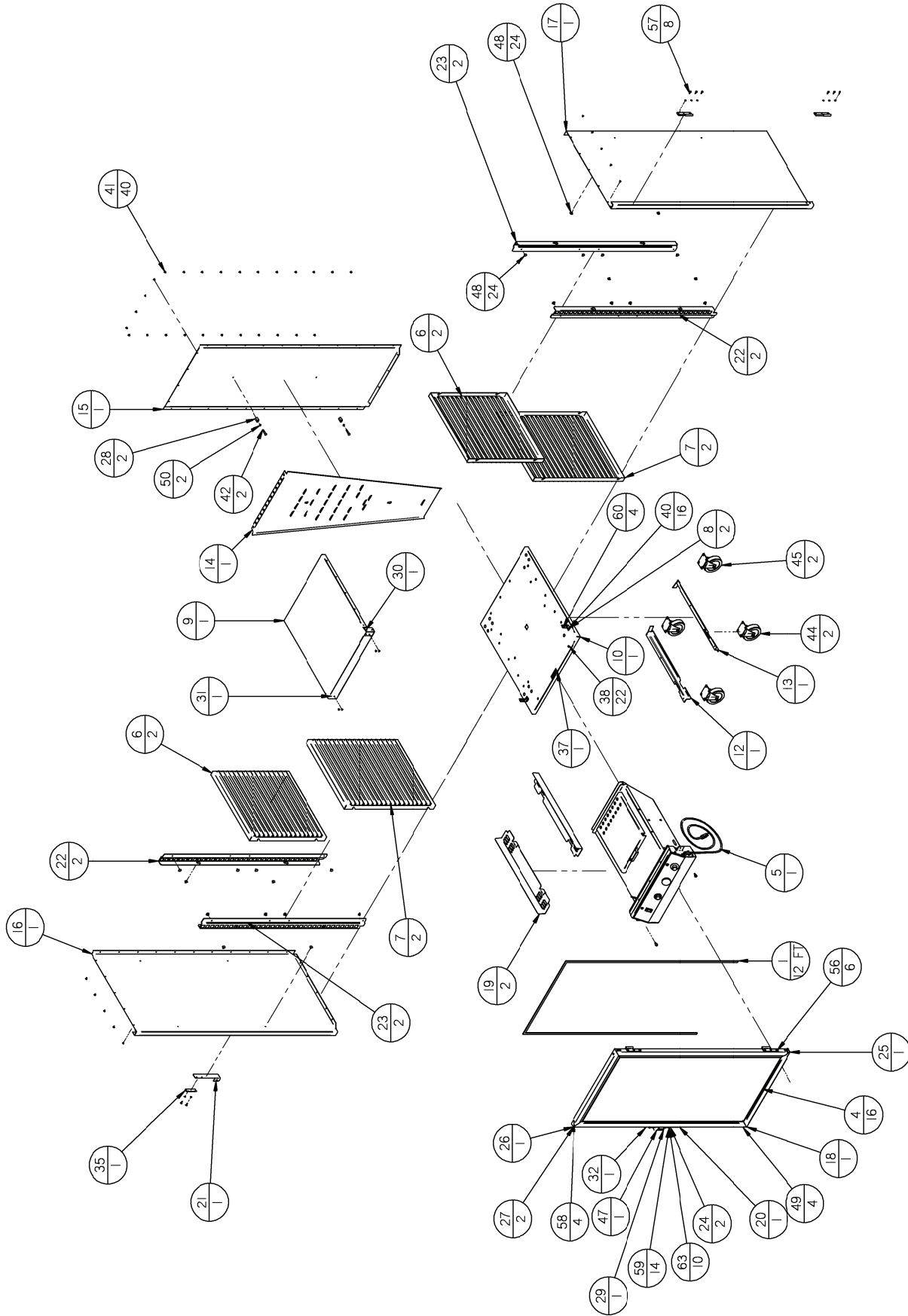


PARTS LIST

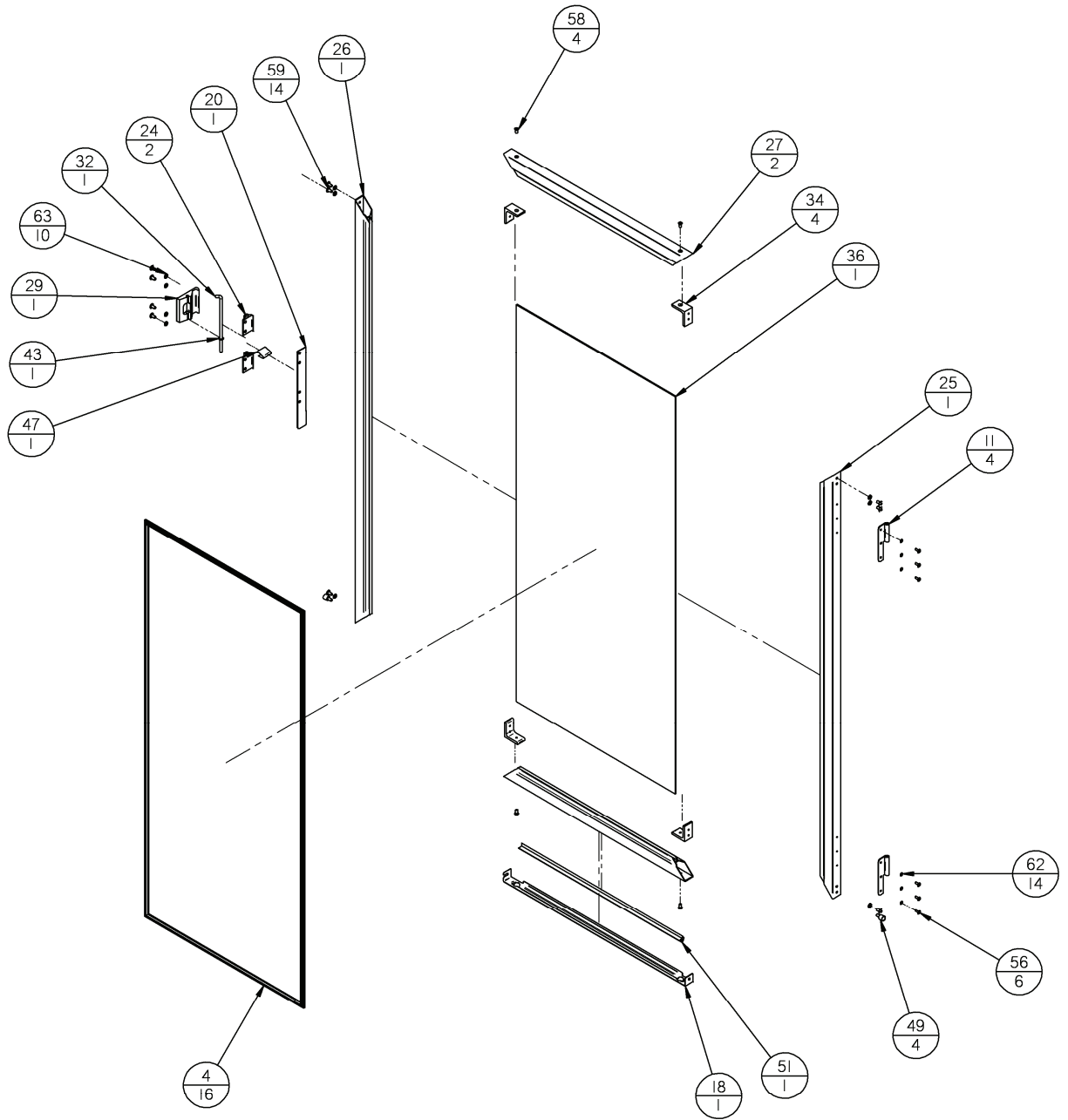
45	780040	CASTER 5" HARD SWIVEL	2
44	780036	CASTER 5" HARD SWIVEL W/BRAKE	2
43	770720	WASHER, FLAT, AN960C156	1
42	770152	RIVET, SOFT, 1/4 x 1-3/4 BZR HEAD	2
41	770084	RIVET, SOFT, 5/16, 566PC/LB	40
40	770064	BOLT, CARRIAGE 5/16-18x.75 Z	16
39	770037	WASHER, LOCK, INT, 5/16	16
38	770000	RIVET, SOFT, 1/2 SHINY, 390/LB	22
37	760083	LABEL, DRIP PAN, BOTTOM MOUNT	1
36	760028	DOOR, LEXAN	1
35	750972	LATCH, STRIKE, PROOFER	1
34	750864	BRACKET, CORNER, DOOR	4
33	750724	PIN, HINGE	2
32	750720	PIN, LATCH	1
31	750437	BRACKET, HEADER BAR, LEFT	1
30	750436	BRACKET, HEADER BAR, RIGHT	1
29	750419	LATCH	1
28	750396	SPACER, BACK VENT	2
27	750384	FRAME, DOOR, TOP & BOTTOM	2
26	750380	FRAME DOOR LATCH SIDE	1
25	750379	FRAME, DOOR, HINGE SIDE	1
24	750132	HINGE, BUTT	2
23	744914	UPRIGHT, LT REAR, RT FRONT	2
22	744913	UPRIGHT, RT REAR, LT FRONT	2
21	741511	HASP, DOOR/ UNDER STRIKE	1
20	741456	HASP, DOOR UNDER LATCH	1

64	8509300	WASHER, FLAT, SAE, 5/16	16	19	741182	COVER, VALLEY	2
63	8507900	WASHER, LOCK, INT, 1/4, Z	10	18	740368	RETAINER, WIPER, BOTTOM	1
62	8506200	WASHER, LOCK, INT, #10, Z	14	17	740360	SIDE, OUTER, RIGHT	1
61	8436200	NUT, HEX 5/16-18 S/S	16	16	740359	SKIN, OUTER	1
60	8425200	NUT, HEX, 1/4-20 SS	4	15	740356	BACK, OUTER	1
59	8205500	SCREW, 1/4-20 X 1/2 TR HD	14	14	740352	BACK VENT	1
58	8203100	M/S FT HD PH 1/4-20 X 1/2 ZN	4	13	740338	RUNNER, DRIP PAN RIGHT	1
57	8196700	SCREW, SM, #10 X 3/4, TYPE AB	8	12	740336	RUNNER, DRIP PAN LEFT	1
56	8175900	SCREW, 10-32 X 1/2 TR HD, SS	6	11	740332	HINGE, DOOR	4
55	792001	LABEL, DAMAGE OR LOSE	1	10	740328	BASE STD PROOFER	1
54	791044	PAD, PROOFER CONT PAD	1	9	740324	TOP, OUTER	1
53	790092	CARTON, HANGER & SLIDE	1	8	740281	CLIP, BASE	2
52	790008	BAG, POLY, 1.5 MIL, 62 x 84	1	7	740012	AIR DUCT, BOTTOM, RA64	2
51	784560	WIPER BLADE, 24.625 LG	1	6	740008	AIR DUCT, TOP, RA64	2
50	783040	COLLAR, Ø.375 x 1/4	2	5	720009	MODULE, BOTTOM	1
49	783016	KNOB, THD STUD, 1/4-20 x .5	4	4	700428	CHANNEL, GASKET	16
48	783012	BUTTON, UPRIGHT	24	3	2910700	CARTON, HSC, 36x32x73.25	1
47	781285	LATCH SPRING	1	2	2910600	PALLET, ALADDIN, 32x36	1
46	780086	MANUAL, BEVELES PROOFERS	1	1	1037200	TAPE, CLOSED CELL	12 FT
ITEM	PART NUMBER	DESCRIPTION	REQ'D	ITEM	PART NUMBER	DESCRIPTION	REQ'D

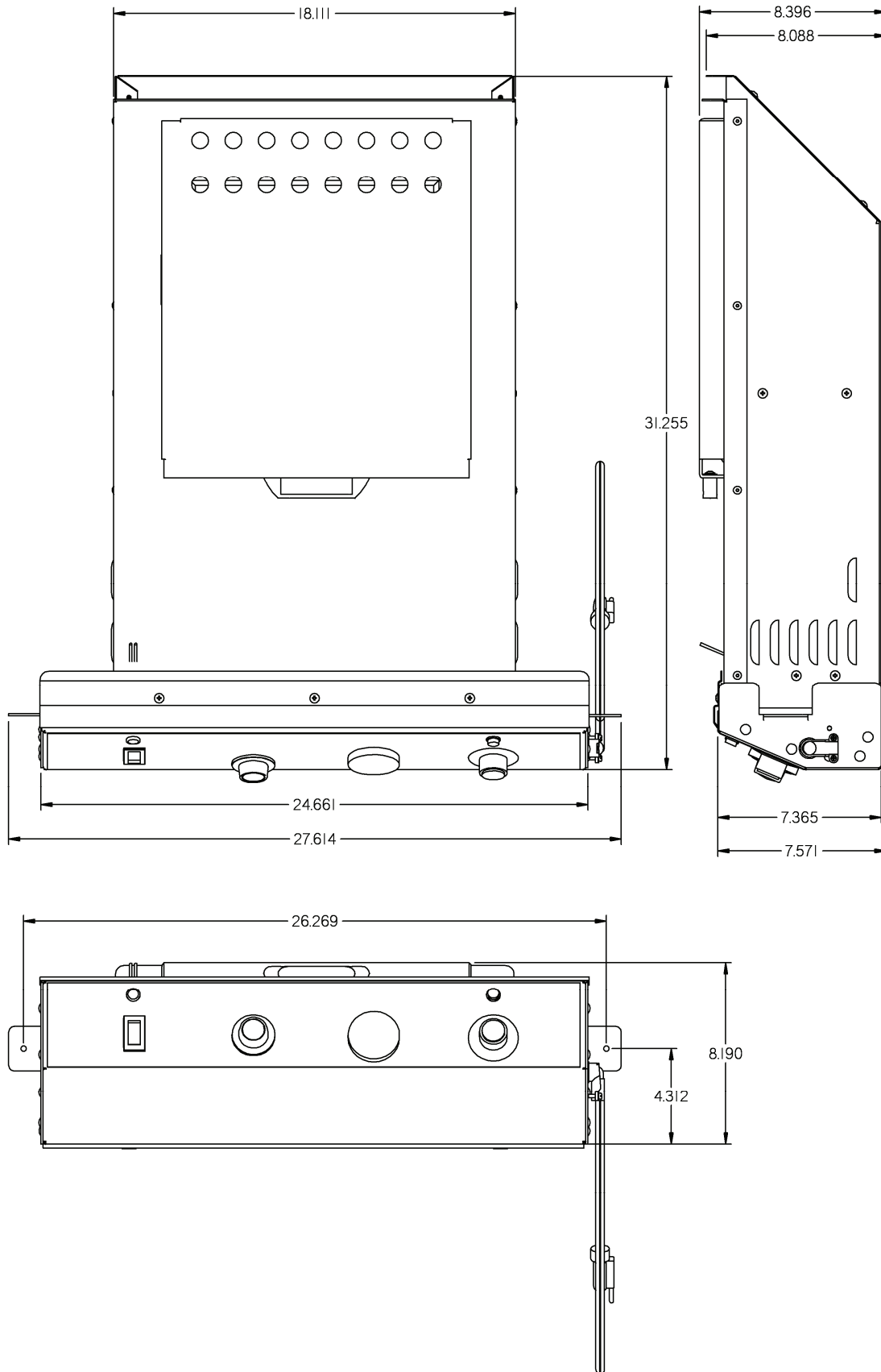
PARTS DIAGRAM



PARTS DIAGRAM (cont.)



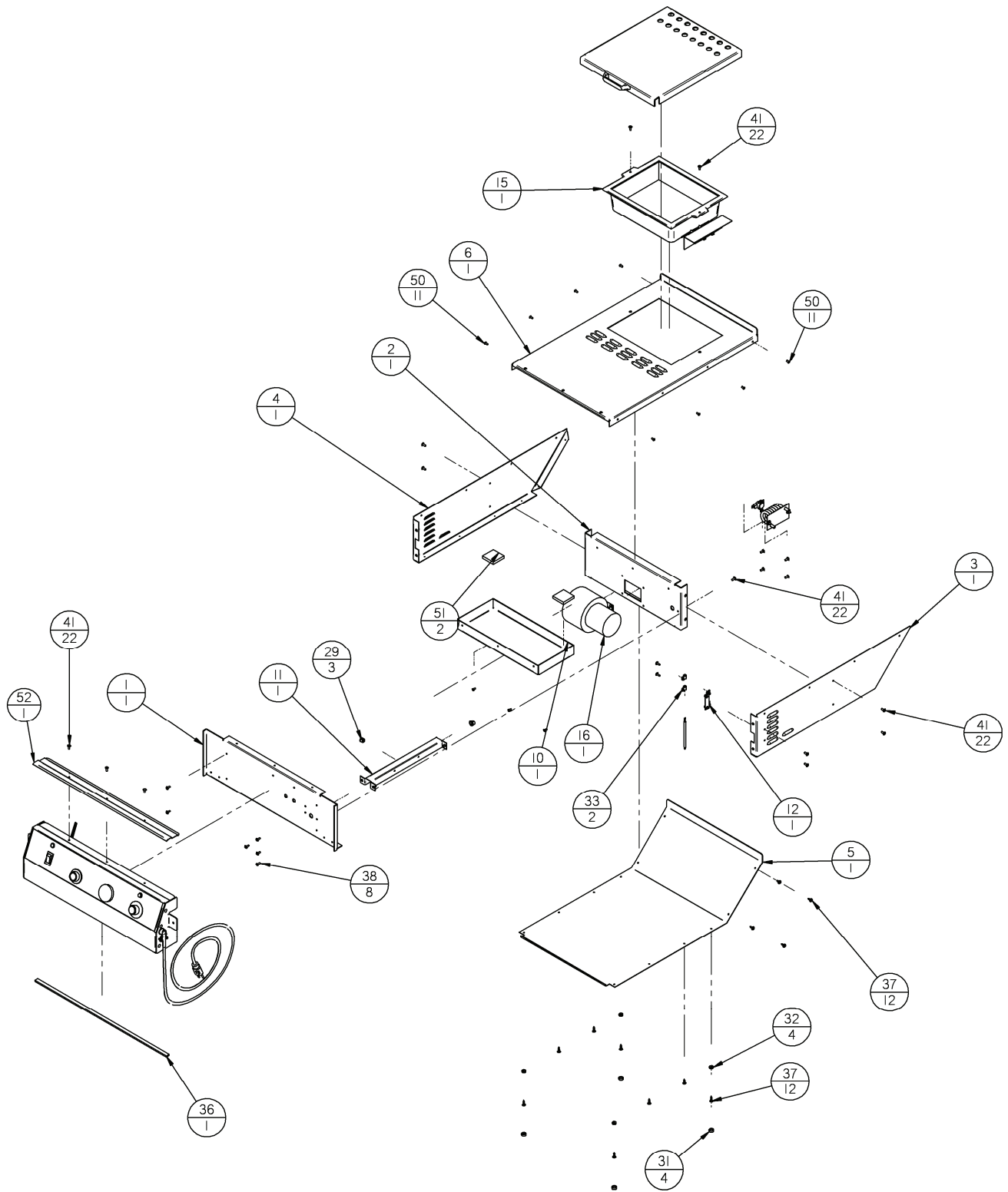
HUMIDITY-HEATING MODULE DIMENSIONS



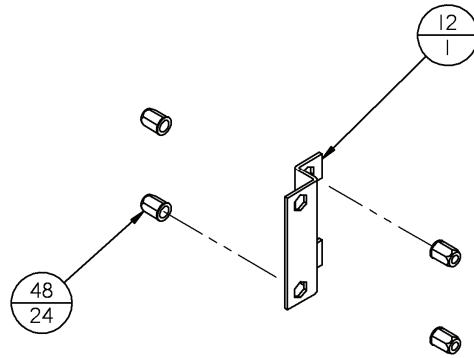
HUMIDITY-HEATING MODULE PARTS LIST

33	8980400	CLAMP 1/4" NYLON	2	66	1509600	LIGHT, PILOT GREEN	1
32	784538	INSERT, PLASTIC, SNAP-ON	4	65*	1102100	TERMINAL, HIGH TEMP	9
31	784536	CAP, PLASTIC SNAP-ON	4	64	8408300	#8-32 HEX NUT, KEPS, NI	2
30	8967000	BUSHING, SNAP HEYCO .5" I.D.	2	63	8502500	#8 FLAT WASHER, S/S	2
29	8967200	BUSHING, SNAP .5 HOLE NYLON	3	62	81423-00	8-32 X .750 LG. SCREW	2
28	784124	HANDLE, DRAWER PULL	1	61	11072-00	BLOCK TERINAL, 6 STATION 600V	1
27	782280	NUT, THERMOSTAT	1	60*	1123000	TERMINAL, HT #10	1
26	1101500	BOX CONNECTOR, 90°	1	59*	1501700	TIE, CABLE, 4"	1
25	781291	KNOB, THERMOSTAT	1	58*	1534200	TIE, CABLE, 5 3/5 NYLON	3
24	782092	KNOB, INFINTE SWITCH	1	57*	784493	TERMINAL, RING, #10	1
23*	45653000	LIGHT, INDICATOR 250V, Ø 1/2" AMBER	1	56*	784064	WIRE SET PICA, #4001-A	1
22	782133	THERMOMETER, 6" STEM	1	55*	784052	WIRE NUT, ORANGE	5
21	782208	THERMOSTAT	1	54*	783026	WIRE NUT, YEL	4
20	782088	SWITCH, INFINTE	1	53	740072	COIL AIR HEATER DEFLECTOR	1
19	782226	SWITCH, POWER, DPST	1	52	744294	COVER, DRIP, WATER	1
18	1488400	THERMOSTAT, 80° - 180°	1	51	760224	PAD, PROTECTIVE	2
17	782004	ELEMENT, COIL, 1600W, 120V	1	50	8353400	RIVET, POP 3/16 FLUSHBREAK	11
16	784807	BLOWER, MOTOR, 1/2 SIZE, 120V	1	49	770084	RIVET, SOFT, 5/16, 566PC/LB	10
15	720079	ASSEMBLY, WATER PAN SET	1	48	8353100	RIVNUT, 10-32 THIN HEAD	24
14	760067	COVER, LEXAN, WATER PAN	1	47	8422400	#10-24 HX NUT GRN	1
13	720414	WELDMENT, AIR DUCT, MOTOR	1	46	8402900	NUT, HEX, 6-32 SS	2
12	740223	BRACKET, SENSOR	1	45	8417600	NUT HEX 10-32 S/S	2
11	744873	COVER, WIRE	1	44	8500900	WASHER, FLAT, #6, SS	2
10	740464	SPLASH GUARD, MOTOR	1	43	8506200	WASHER, LOCK, INT, #10, Z	4
9	740431	PANEL, FRONT, RIGHT SIDE	1	42	8505300	FLAT WASHER, SAE #10	4
8	740432	PANEL, FRONT, SIDE, LEFT	1	41	8175900	SCREW, 10-32 X 1/2 TR HD	22
7	740426	PANEL, CONTROL	1	40	8159000	SCREW, TR HD, 10-24x1/2, Z	2
6	740436	TOP OUTER SKIN UNIT	1	39	8105800	SCREW, PH, 6-32x3/8, S/S	2
5	740448	SKIN, BOTTOM UNIT	1	38	8175200	M/S TR HD PH 10-32X1/2 ZN	8
4	740439	SIDE, OUTER LEFT	1	37	8196700	SCREW, SM, #10 X 3/4, TYPE AB	12
3	740440	SIDE, OUTER RIGHT	1	36	760018	STRIP, SEALING, 1/8x1/2x24.375	1
2	744869	MOUNT, MOTOR	1	35	781040	DECAL, FRNT PANEL, BTM HEAT	1
1	740428	PANEL, BACK	1	34	782068	CORDSET 12-3 SJTOW 5-20P	1
ITEM	PART NUMBER	DESCRIPTION	REQ'D	ITEM	PART NUMBER	DESCRIPTION	REQ'D

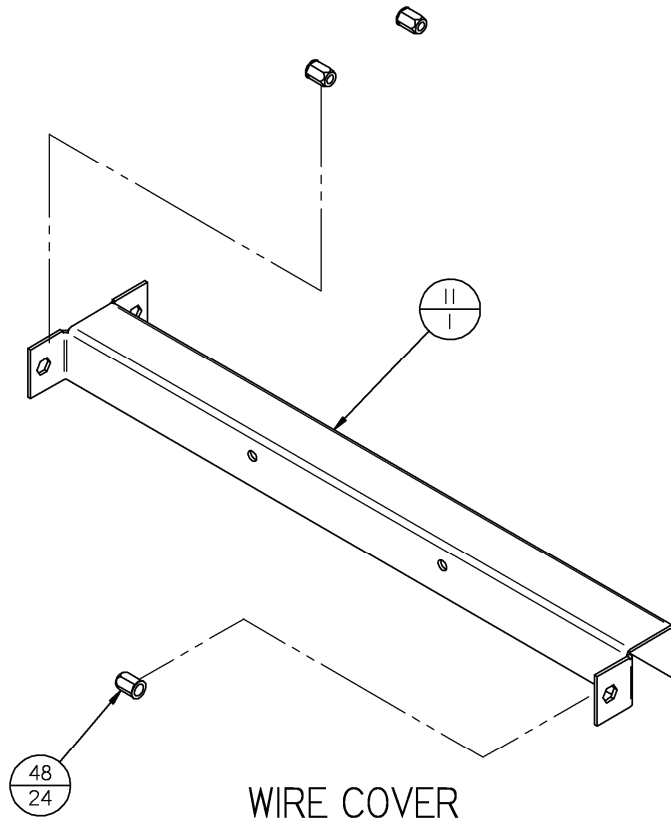
HUMIDITY-HEATING MODULE PARTS DIAGRAMS



HUMIDITY-HEATING MODULE PARTS DIAGRAMS (cont.)

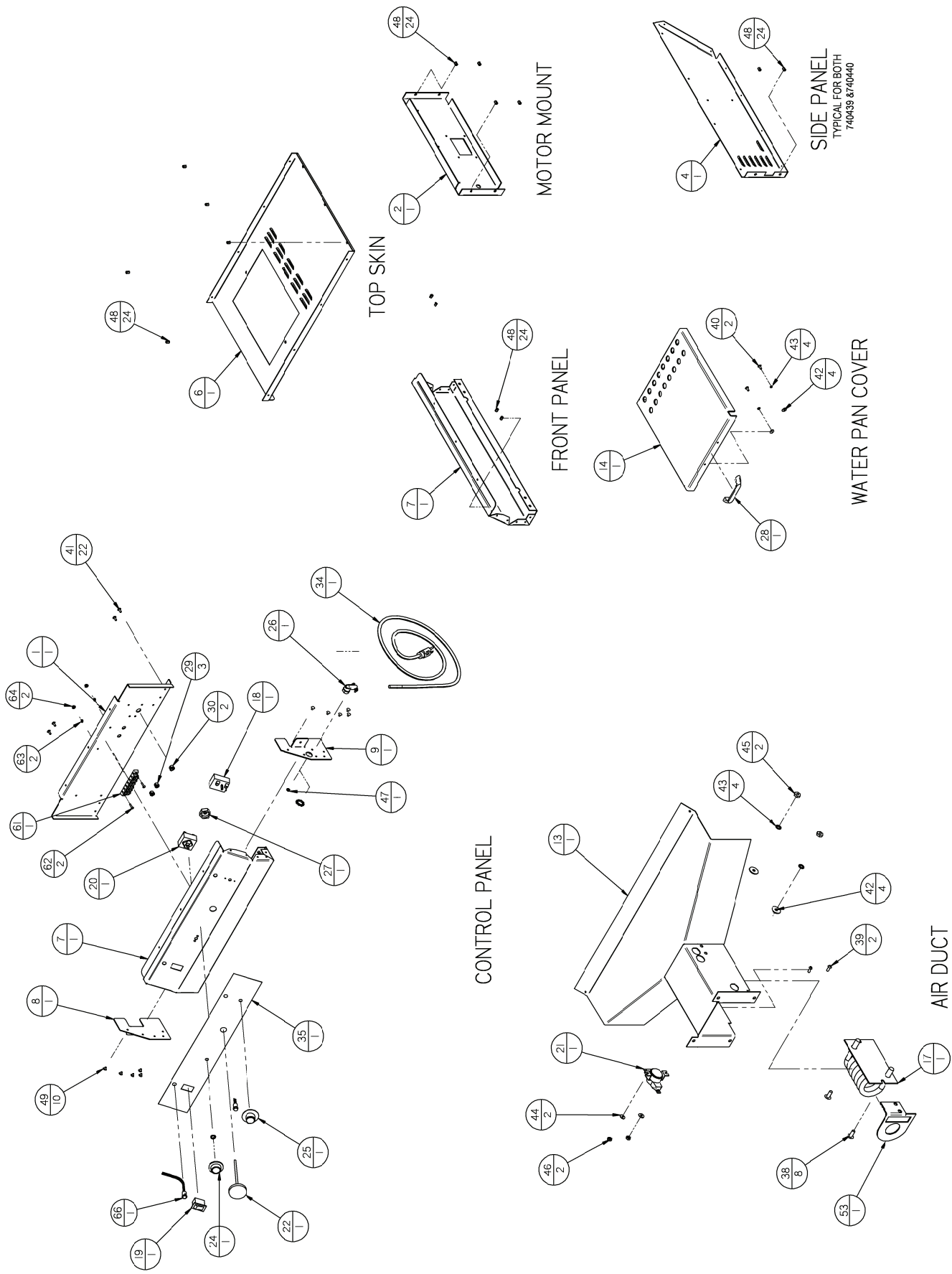


SENSOR BRACKET

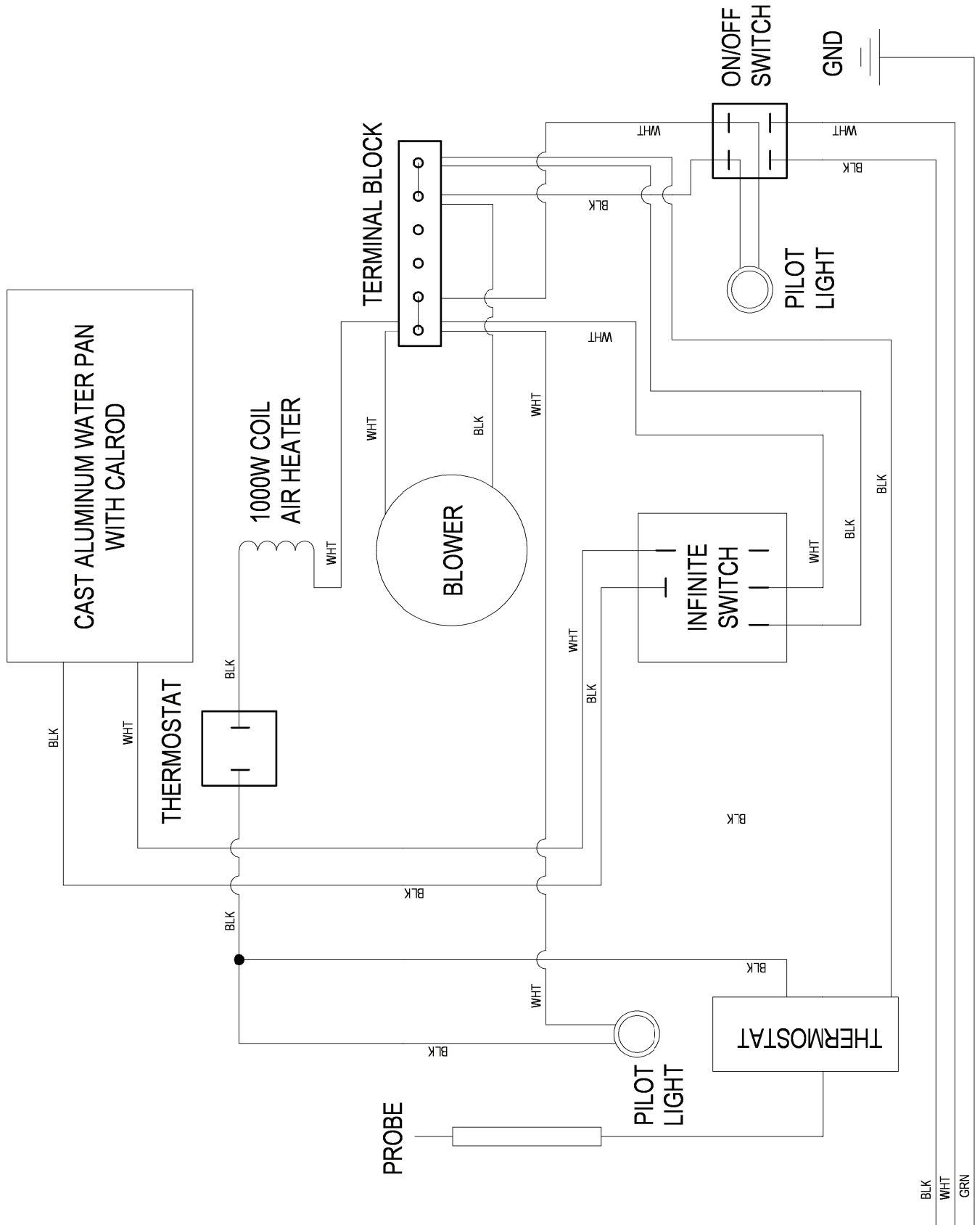


WIRE COVER

HUMIDITY-HEATING MODULE PARTS DIAGRAMS (cont.)



HUMIDITY-HEATING MODULE WIRING DIAGRAM





BEVLES COMPANY LIMITED WARRANTY

729 Third Avenue * Dallas, TX 75226

Phone: +1 (214) 421-7366 Fax: +1 (214) 565-0976

1. BevLes warrants to the original purchaser that on the date the equipment is shipped (sold), it will be free of defects in materials or workmanship. BevLes will, at its discretion, repair or replace, during the warranty period printed below, any part that has a defect in material or workmanship that was present when the product shipped from BevLes, and which manifests itself during the warranty period under normal use and service.

Parts: Two* years from date of original shipment from the BevLes factory.

Labor: One** year from date of original shipment from the BevLes factory.

* Air Circulation Blower Assemblies (motors) and Power Switches shall be one year from date of original shipment.

Calrod "Air" Heating Elements shall be three years from date of original shipment.

** All electrical components 120 days from date of original shipment.

2. BevLes must be contacted, and pre-approval must be issued by the BevLes factory prior to any type of service being performed. BevLes assumes no responsibility for any charges that were not expressly authorized by the BevLes factory, or for any charges that exceed, in BevLes' sole judgement, normal and customary amounts.
3. BevLes will pay UPS Ground charges for any part that has a defect in material or workmanship that was present when the product shipped from BevLes, and which manifests itself during the first year of the warranty period under normal use and service. All warranty replacement parts will ship F.O.B. BevLes factory, Cheyenne, WY 82007.
4. This warranty shall be void in its entirety if any abuse of, misuse of, alteration/modification of or improper maintenance of original product occurs. If, at any time a claim is reported to BevLes, and the purchaser is delinquent in payment for the product, warranty will not apply.
5. Buyer's Remedies-If a BevLes product fails due to a defect in material or workmanship in conformity with the warranties in paragraph one, buyer shall notify BevLes of such failure within a reasonable time, but in no event beyond fifteen (15) days of such discovery of defect in material or workmanship. BevLes shall provide, in its sole discretion, either the repair or replacement of any defective or any non-conforming part. BevLes specifically disavows any other representation, warranty or liability relating to the continued use of the product.
6. Exclusion of consequential and incidental damages-In no event shall BevLes be liable for any incidental, special, indirect, or consequential damages, whether resulting from non-delivery or from the use, misuse, or inability to use the product, or from defects in the product, or from BevLes' own negligence or other tort. This exclusion applies regardless of whether such damages are sought for breach of warranty, breach of contract, negligence, or strict liability in tort or under any other legal theory.
7. Disclaimer of warranties-The warranties contained in paragraph one above are the exclusive warranties given by BevLes and supersede any prior, contrary, or additional representations, whether oral or written. BevLes hereby disclaims and excludes all other warranties-whether expressed, implied, or statutory-including any warranty of merchantability, any warranty of fitness for a particular purpose, and any implied warranties otherwise arising from course of dealing or usage of trade.