



**BC14G COMBI OVEN  
REPLACEMENT PARTS LIST  
SERIAL NUMBERS WITH IW/IX/IZ/JG/JO**

**EFFECTIVE FEBRUARY 10, 2015**

Superseding All Previous Parts Lists.

The Company reserves the right to make substitution in the event that items specified are not available.

ERRORS: Descriptive and/or typographic errors are subject to correction.

---

**BLODGETT OVEN COMPANY**

44 Lakeside Avenue, Burlington, Vermont 05401 USA Telephone: (802) 658-6600 Fax: (802) 860-3732  
[www.blodgett.com](http://www.blodgett.com)

*P/N 53534 Rev H*

## **SERIAL NUMBER LOCATION / KEY:**

**IMPORTANT:** When ordering parts, please provide the model, gas type, voltage and serial number of the oven. The identification plate is located on the left side of the control compartment.

## **SERIAL NUMBERS CONTAINING:**

**IU**

**IX**

**JH**

### **EXAMPLE:**

**021896IU023S**

### **TO OBTAIN LITERATURE:**

Email: [literature@blodgett.com](mailto:literature@blodgett.com)

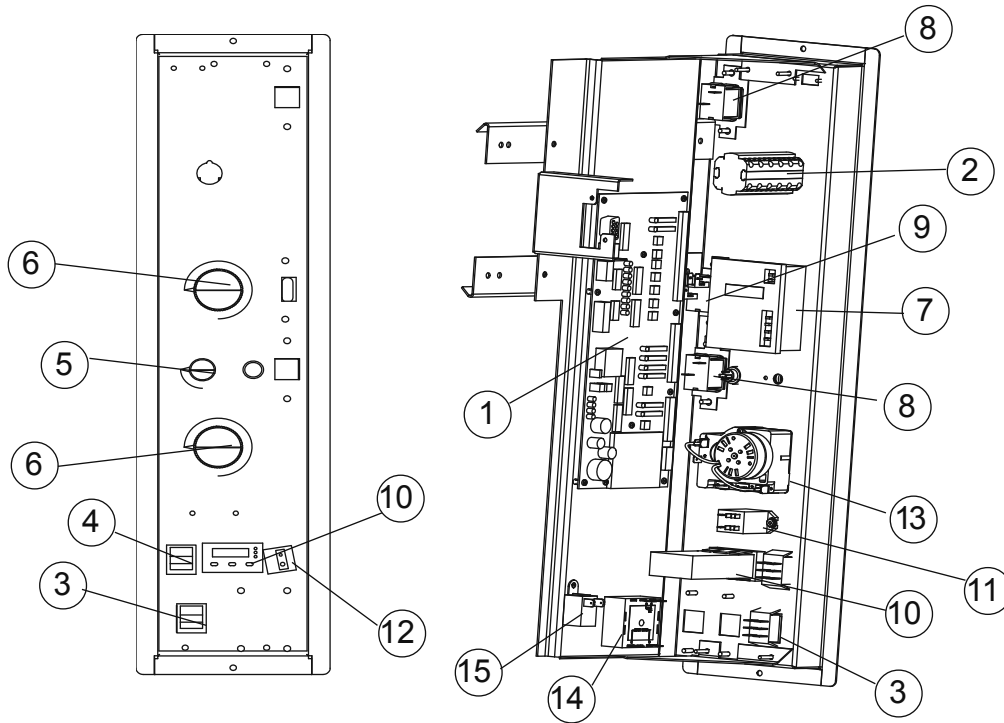
or visit

[www.blodgett.com](http://www.blodgett.com)

# TABLE OF CONTENTS

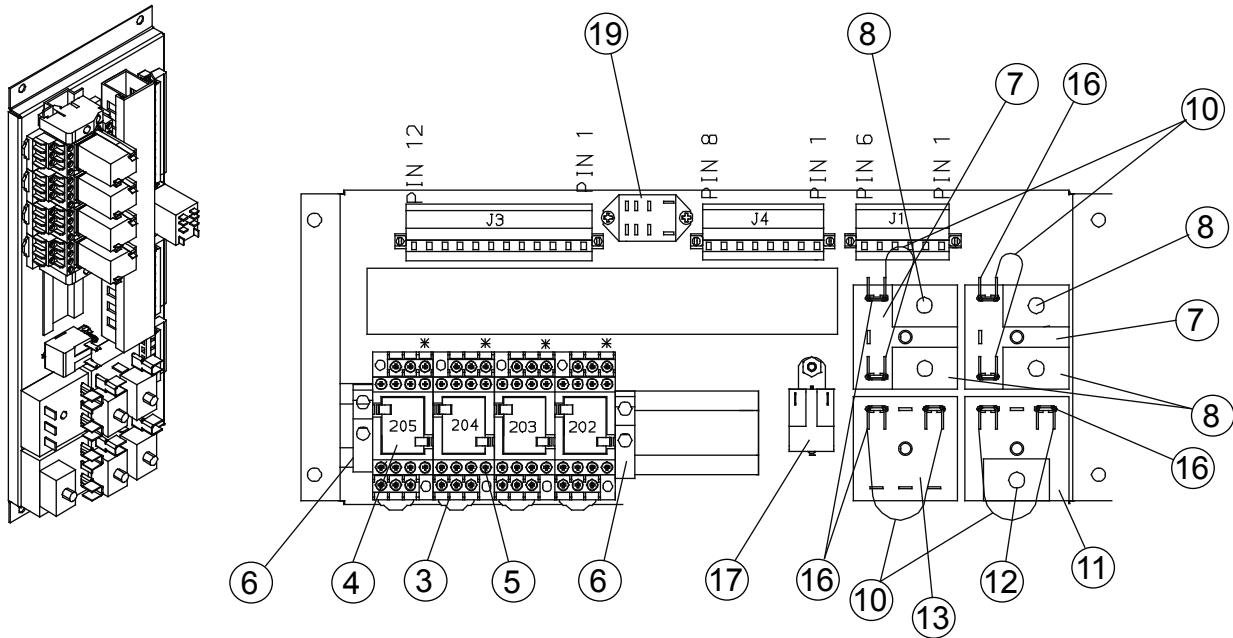
CONTROL PANEL COMPONENTS .....	4
RELAY MODEL ASSEMBLY .....	5
DOOR COMPONENTS .....	6
STEAM GENERATOR COMPONENTS .....	7
HOT AIR GAS COMPONENTS .....	8
INTERIOR OVEN COMPONENTS.....	9
EXTERIOR OVEN COMPONENTS .....	10
PLUMBING COMPONENTS .....	11
TRANSFORMERS.....	12
AUTO DELIMING KITS .....	13
ACCESSORIES.....	14

# CONTROL PANEL COMPONENTS



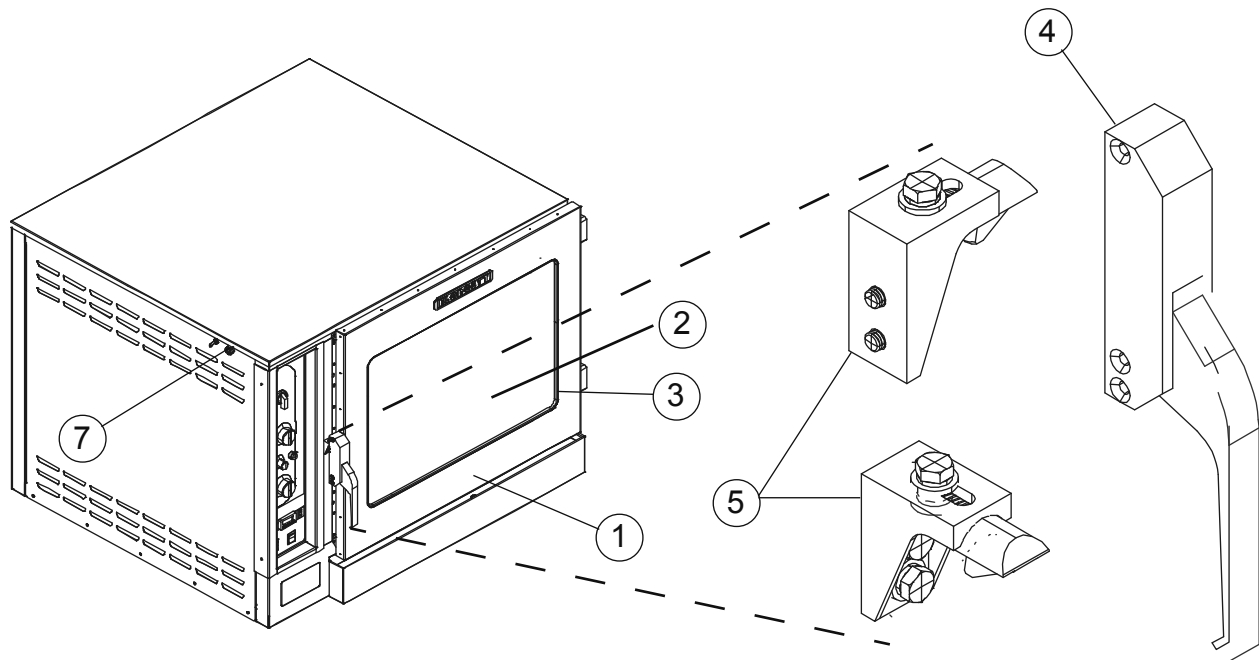
<u>Ref. No.</u>	<u>Part No.</u>	<u>Description</u>	<u>Ref. No.</u>	<u>Part No.</u>	<u>Description</u>
1	R10353	Logic Board	8	R1318	Light, Indication- Green
	33902	Relay, Logic	9	R0226	Light, Indication- Clear
	R8594	Switch, Hi/Low		R9567	Light, Indicator - Blue
	R7689	Relay, 24V, SPDT		M3167	Fuse Holder
11	R2792	Relay, DPST 240V	10	R7692	Control, Meat Probe 24V
3	R2715	Switch, Flush/Drain		52948	Transformer, 208/240V-24V
2	R4623	Switch, Mode	10	R5242	Control, Meat Probe 208V
	R8515	Knob and Shaft Assy, mode		R5315	Probe, Meat plug-in
	R6928	Sensor, Temperature	4	R8740	Switch, Meat probe
7	R6407	Thermostat, Manual	14	R9309	Control, Motor speed
	R6003	Probe, Thermostat		R9386	Resistor, Motor, Speed
	R9384	Potentiometer, Steam	12	R5219	Connector, Jack Panel
	R8595	Switch, Steam Demand		R9615	Tape, .01 x .375 VHB (per foot)
13	R2666	Timer, 120 Minute, 60 hz		R8724	Resistor Assy
	R3942	Timer, 120 Minute, 50 hz		R7715	Bracket, Fuseholder
	R5325	Wire, T/C Meat Probe Jack		R7717	Fuse, 2 Amp, 24V
15	R9498	Buzzer Kit, 240V			
5	R8743	Knob, Small			
6	R8742	Knob, Large			

# RELAY MODULE ASSEMBLY



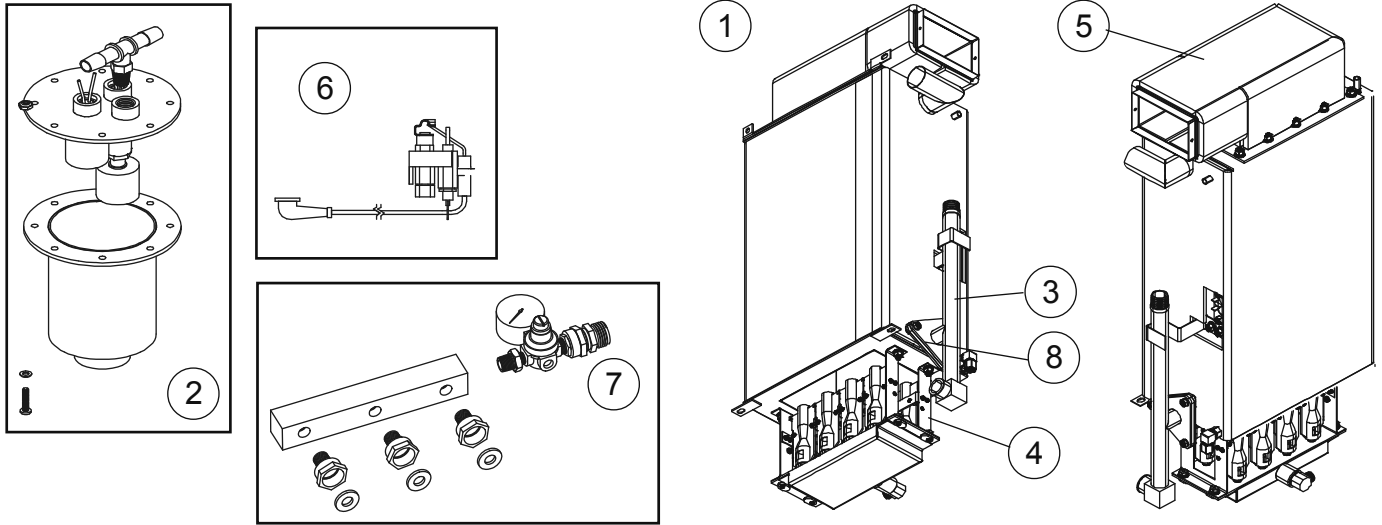
<b>Ref. No.</b>	<b>Part No.</b>	<b>Description</b>
3	33922	Socket, relay
4	33902	Relay, logic
5	33923	Clips, hold down
6	R1580	Stop, end
7	R8592	Solid state timer, 230V combi
8	R8592	Potentiometer, 0.1 to 4.0 minutes
10	R8883	Resistor assy
11	R8586	Solid state timer, 230V flush
12	R8593	Potentiometer, 0.1 to 6.0 minutes
13	R8584	Solid state timer, 230V steam demand
16	15937	Piggy back
17	35886	Buzzer, 230V
19	R2792	Relay, DPST 240V

# DOOR COMPONENTS



<b>Ref. No.</b>	<b>Part No.</b>	<b>Description</b>
1	R8628	Door Assembly
2	R5797	Window Glass
3	R2105	Window Gasket (per foot)
4	R6313	Handle
5	R2296	Catch Assembly
7	R10062	Delimiting Port
	R3695	Perimeter Gasket
	31485	Door Switch

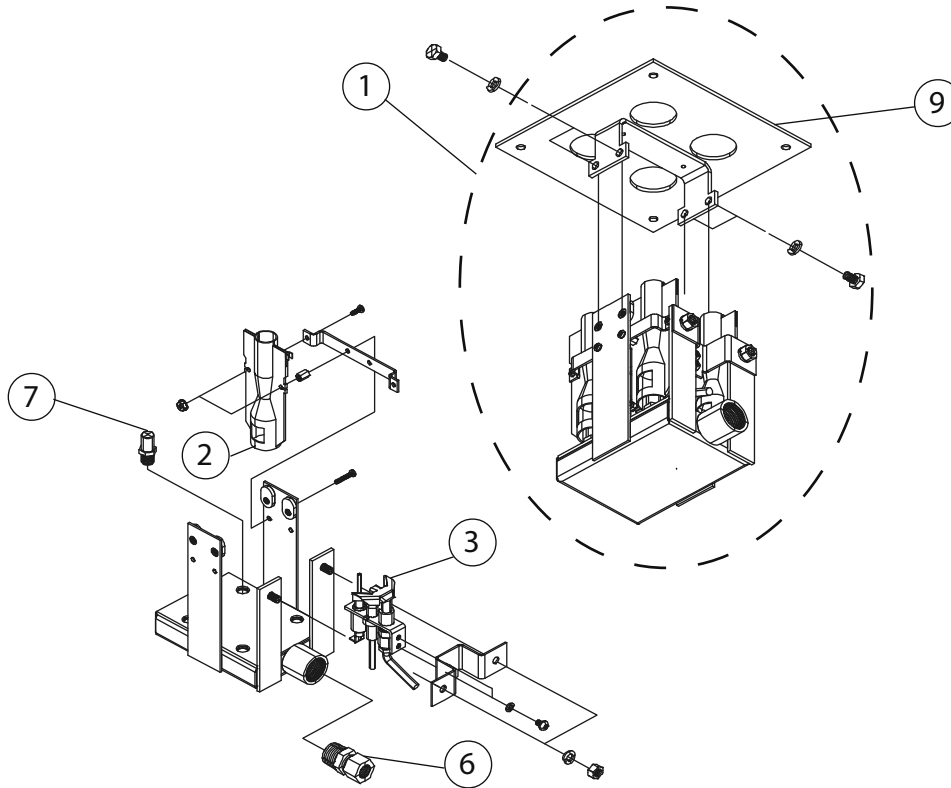
# STEAM GENERATOR COMPONENTS



<u>Ref. No.</u>	<u>Part No.</u>	<u>Description</u>
1	R10483	Steam Generator w/ Burners, Nat
1	R10484	Steam Generator w/ Burners, LP
	R10482	Steam Generator, Insulated - no burners
	39807	Insulation, Steam Generator
	51999	Hose, Steam 1-1/8 ID, 1 foot
	R2814	Hose, Steam Transfer 1-5/8 ID, 1 foot
	R2726	Drain Pump
	R7563	Drain Pump, 230V, 50 hz
	R8949	Tube, Flex 1/4" x 48"
	R8015	Thermostat, Quench
	R9339	Strap, Quench Thermostat
	R8198	Nozzle, Quench
	R2630	Thermostat, High Limit F6
	R8012	Thermostat, Flush/ Drain P11
	R8596	Thermostat, Drain P4
2	50283	Float Switch Assy (top cover has 2-1/8 NPT fittings and 1-3/8 dia. tube)

<u>Ref. No.</u>	<u>Part No.</u>	<u>Description</u>
2	R10056	Float Switch Assy (top cover has 3-1/8 NPT fittings)
	50265	Floats (2)
	R8420	Float Gasket, 1 foot
	50281	Extension, Float Switch
3	R8511	Tube Assy, Float
8	R10252	Gasket, Float to pump tube
4	R8928	Burner Assy, Nat
4	R8932	Burner Assy, LP
6	57662	Pilot Assy, Steam, Nat
6	57663	Pilot Assy, Steam, LP
	R8930	Orifice, Nat #58 Drill
	R8933	Orifice, LP #71 Drill
5	R8925	Flue Assy
	R9529	Flue Assy, CE
7	R11008	Hose, Deliming, 3/8 ID sold in 5 ft sections
	R4287	Burner, Inshot
	15660	Fitting, Elbow 1/2 NPT x 1/2 comp.
	R8986	Fitting, Elbow 3/8 x 3/8 comp
	R8856	Goretex Seal .25 w x .09 h, 1 foot
	R8423	Goretex Seal .25 w x .187 h, 1 foot

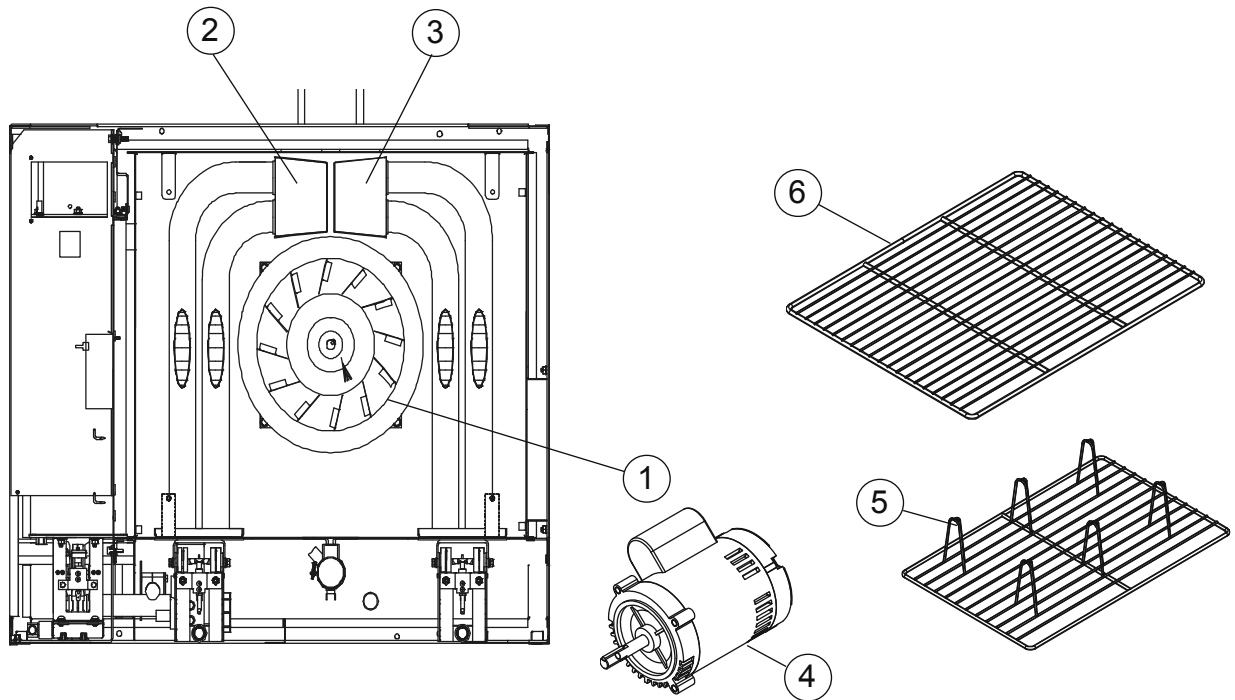
# HOT AIR GAS COMPONENTS



<b>Ref. No.</b>	<b>Part No.</b>	<b>Description</b>
1	R9241	Burner Assy, Hot Air, Nat
1	R9242	Burner Assy, Hot Air, LP
2	R4287	Burner, Inshot
3	58100	Pilot Assy, HotAir, Nat
3	58101	Pilot Assy, Hot Air, LP
7	R8973	Orifice, 1.35 mm drill, Nat (qty 4)
7	R8974	Orifice, #67 drill. LP (qty 4)
	20348	Control, ignition G770
	R8762	Valve, Gas main
	R6490	Valve, Gas pilot
	R9657	Valve, Gas, main (CNV)
6	18570	Fitting, 1/2 NPT X .5 Compression
9	R8971	Mounting Assy, Burner

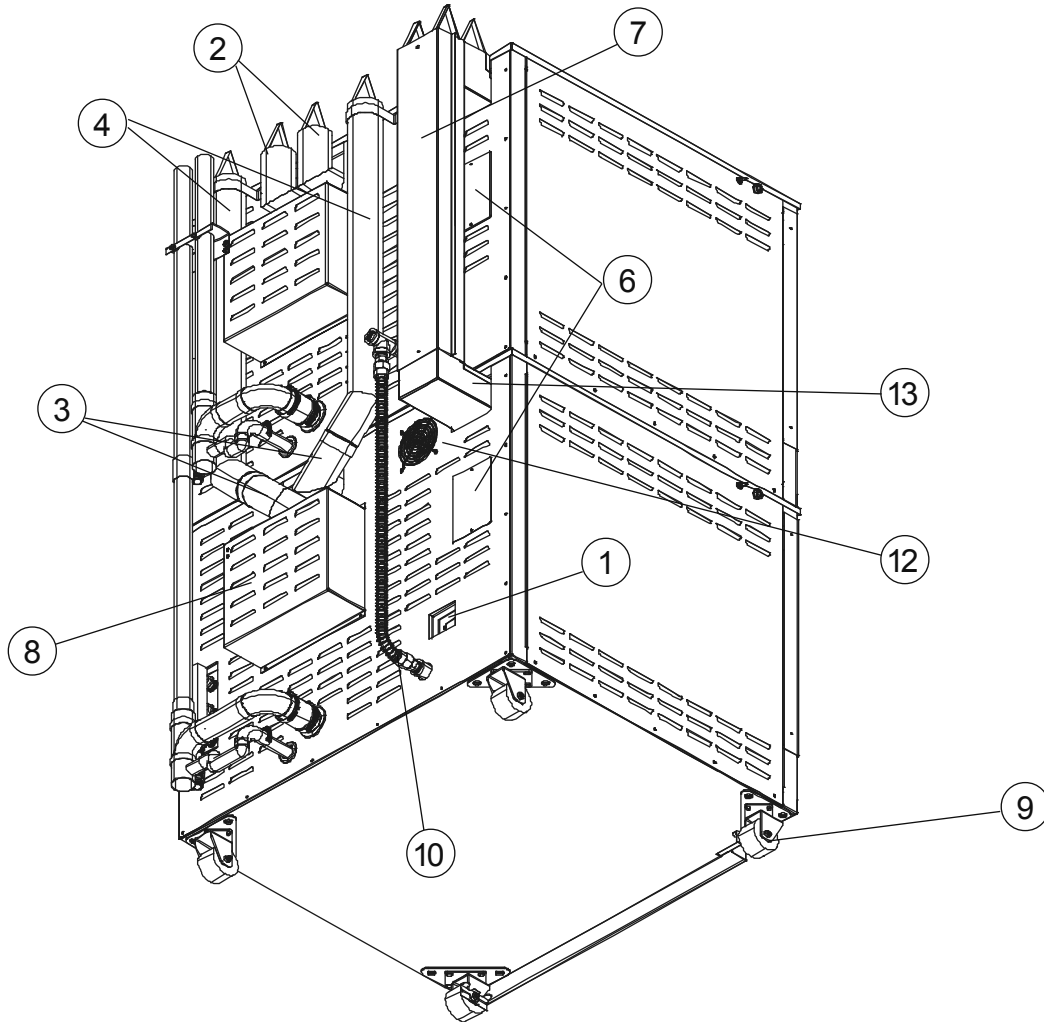


# INTERIOR OVEN COMPONENTS



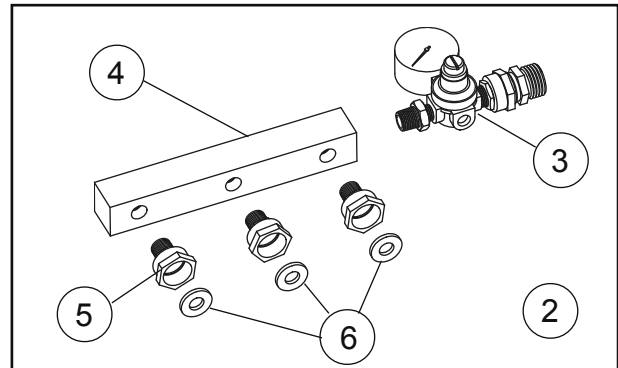
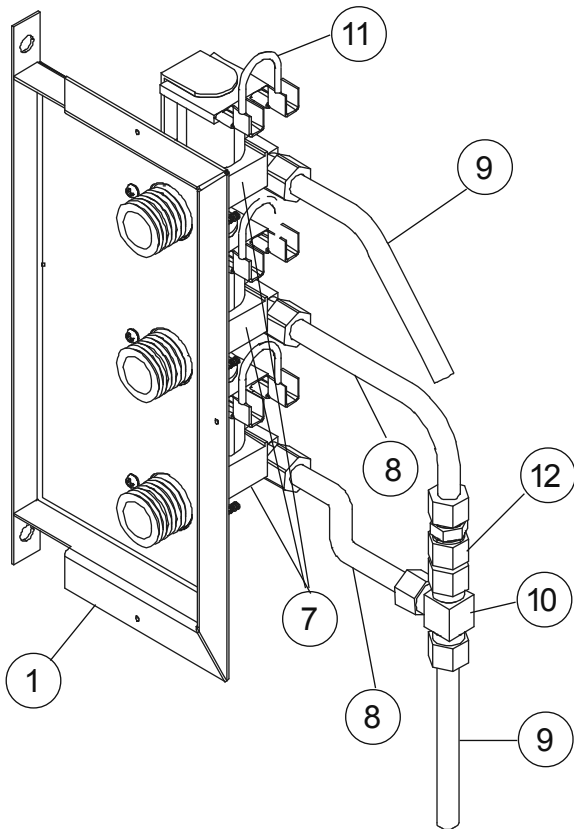
<b>Ref. No.</b>	<b>Part No.</b>	<b>Description</b>
4	R5108	Motor, 115V/230V 1/2 hp
	R4244	Seal, motor shaft
	56956	Motor mount gasket
	R8154	Bracket, Motor Mount
	R8955	Retainer, Seal
	R8205	Plate, Ins. Cover
1	R5081	Wheel, blower
	R9270	Baffle, air
	R3760	Filter, grease
	23034	Fan, axial
	R4409	Rack guides
6	R3664	Wire Shelf s/s
5	52387	Rack, Chicken
2	R8835	Heat Exchanger Assy, LH
3	R8836	Heat Exchanger Assy, RH
	R10516	Gasket, Heat Exchanger
	R10654	Heat Exchanger Retro Kit
	R11218	Water Regulator
	36441	Cooking Compartment High Limit
	R9648	Washer, Goretex 1/4 x 5/8

# EXTERIOR COMPONENTS



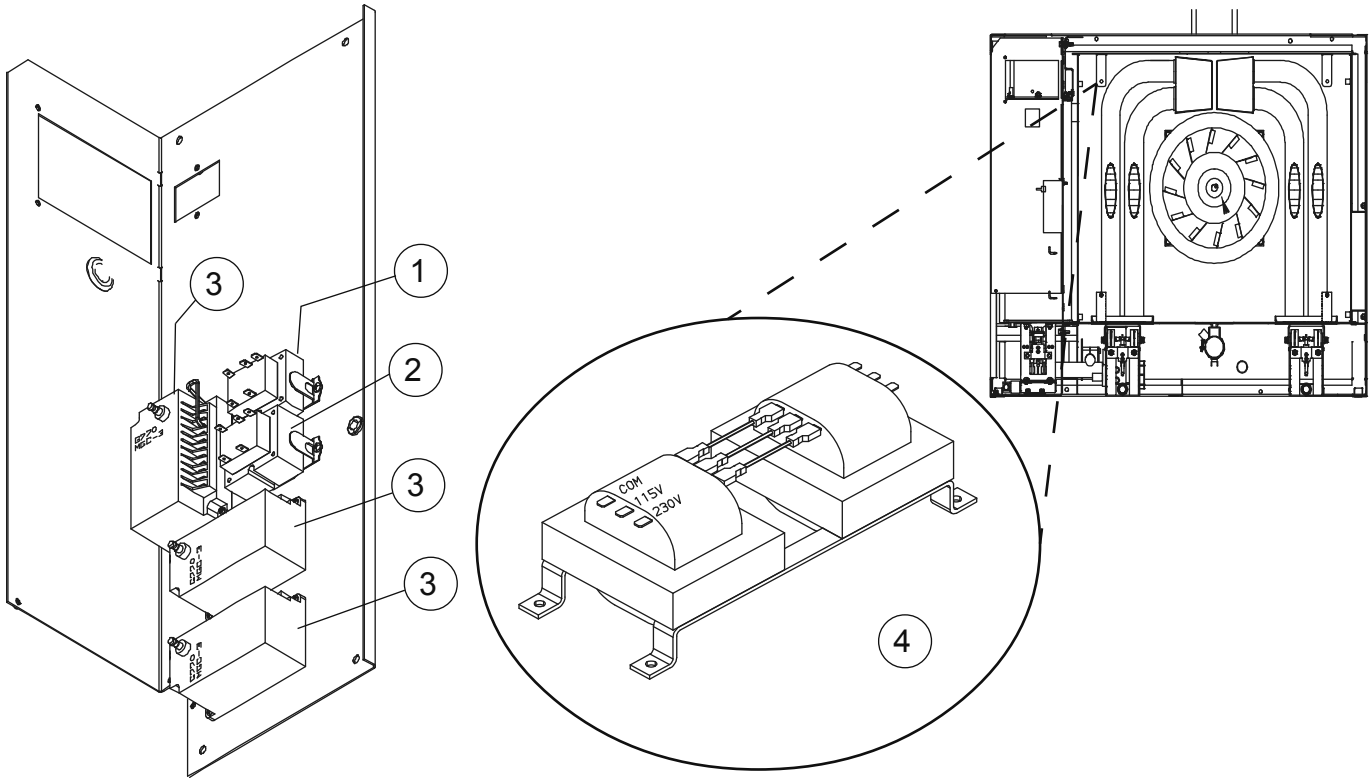
<u>Ref. No.</u>	<u>Part No.</u>	<u>Description</u>	<u>Ref. No.</u>	<u>Part No.</u>	<u>Description</u>
1	R10997	Module, Power Upgrade	8	R9365	Cover, Motor ALCT
	R10645	Power Cord, 115V	8	R9366	Cover, Motor SS
	R8771	Power Cord, 220V	9	R6308	Caster Kit, low profile
	R2202	Hose, Silicone	10	R9570	Kit, Stacking Gas Manifold
	R9308	Hose, Flex Drain, 12"		R10577	Body Back, ALCT
	R2207	Clamp, Hose 7/8" to 2"		R10576	Body Back, SS
2	R8989	Flue Outlet, Top/sgl section	12	22718	Guard, Axial Fan
3	R8990	Flue Outlet, Bottom/dbl sec.		23034	Axial Fan
4	R9238	Exhaust tube, stacked unit LH	13	R8805	Flue Ext Assy, bottom
4	R9237	Exhaust tube, stacked unit RH	14	R9230	Module power inlet for pump
6	R9574	Panel, Float switch ALCT		R10422	Fuses for pump
6	R9575	Panel, Float switch SS		R5755	Fuse, 5 amp
7	R8808	Flue Assy, Steam Generator		R9267	Fuse, 10amp, CE

# PLUMBING COMPONENTS



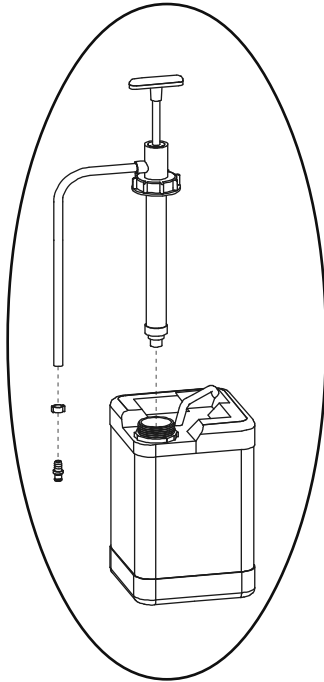
<b>Ref. No.</b>	<b>Part No.</b>	<b>Description</b>
1	R8993	Solenoid Assy, complete
2	R9579	Manifold Assy, complete
3	R11218	Pressure Regulator Assy
4	R9578	Manifold, Inlet Water
5	R9580	Fitting, 1/4 NPT to GHT
6	R9581	Fitting, 3/8 NPT to GHT
7	R7750	Washer, Garden Hose
8	R9603	Hot Water Conversion 14G
9	R8846	Solenoid Valve Assy (3)
10	R8952	Tube, 3/8 X 6" s/s flex
11	R6330	Tube, 3/8 x 36" ss flex
12	R8985	Fitting, Compression 3/8 tee
	R8984	Fitting, Compression 3/8 straight
	R7910	Supressor, Assy Arc
	R9324	Reducer, slow fill
	15937	Terminal, Piggyback
	R7978	Fitting, 3/4 Garden Hose, Male Tread

# TRANSFORMERS



<b>Ref. No.</b>	<b>Part No.</b>	<b>Description</b>
1	52948	Transformer 208/24 40VA
2	R8763	Transformer, 208/24 50VA
3	20348	Control, Ignition G770 MGC
4	R9213	Autotransformer, 1KVA 240-115
	R9263	Harness, Transformer, 115V
	53009	Control, Ignition Honeywell

# AUTO DELIMING KITS



<b>Ref. No.</b>	<b>Part No.</b>	<b>Description</b>
-----------------	-----------------	--------------------

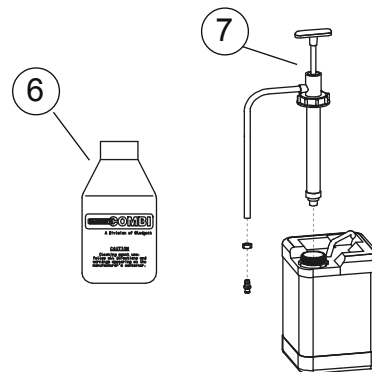
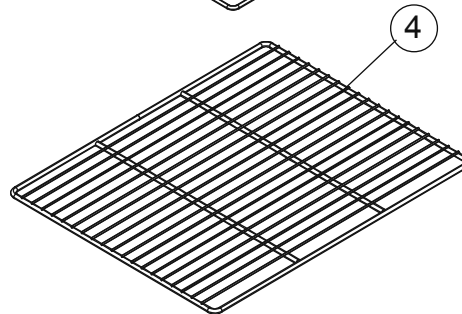
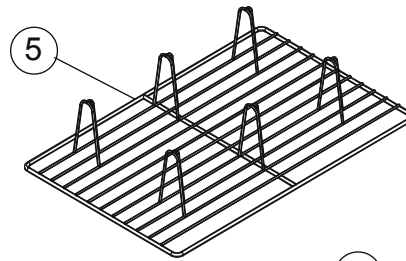
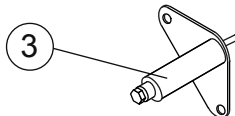
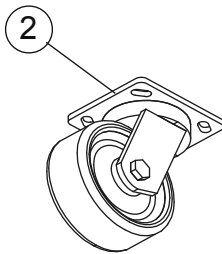
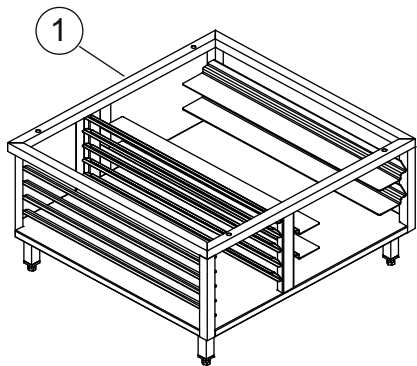
**FOR A COMPLETE KIT INCLUDING PUMP:**

R10796	Single/ Bottom, aluminized
R10798	Top section of double, aluminized
R10797	Single/Bottom, stainless steel
R10799	Top section double, stainless steel
R10422	Fuse, 5 X 20MM Time Lag, High

**FOR A KIT TO HANG AN EXISTING PUMP:**

R10786	Single, aluminized
R10788	Double Stack, aluminized
R10787	Single, stainless steel
R10789	Double Stack, stainless steel
R10422	Fuse, 5 X 20MM Time Lag, High

# ACCESSORIES



<b>Ref. No.</b>	<b>Part No.</b>	<b>Description</b>
1	R5453	Stand, 22"
	R5454	Casters, for Stand
	R2899	Legs, 25"
3	8600	Legs, 6" w/bolts S/S
	R3109	Legs, 4"
	R5456	Legs, bolt down/seismic for stands
	R6308	Caster Kit, set of 4, low profile
	16002	Casters, for 25" legs
2	R3112	Casters, set of 4, mounts to bottom of unit
6	R10955	Pressure Spray Bottle
	R6332	Repair Kit, Spray Bottle
4	R3664	Rack, Wire
5	52387	Rack, Chicken Holder
	D0246	Rack, French Fry
	R10899	Hose and Spray Assy, 10Ft
7	R8859	Delimiting Bottle (w/ garden hose conn.)
7	R10559	Delimiting Bottle (w/ male hose barbed fitting)
	R9570	Kit, Stacking Gas Manifold
	38090	Kit, Filter Accessory Single
	38138	Kit, Filter Accessory Double
	R9611	Side Sheild Kit, w/hardware

**NOTE: Cartridges must be ordered from Selecto ONLY-1-800-275-6392.**