

BLODGETT® **BLODGETT**® **BLODGETT**® **BLODGETT**®

BLODGETT® **BLODGETT**® **BLODGETT**®

BLODGETT® **BLODGETT**® **BLODGETT**® **BLODGETT**®

BLODGETT **COMBI**®



BC14E, BC14G and B14G
COMBINATION OVEN STEAMER
INSTALLATION – OPERATION – MAINTENANCE

BC14E, BC14G, et B14G
COMBI-FOUR/ÉTUVE À VAPEUR
MANUEL D'INSTALLATION – FONCTIONNEMENT – ENTRETIEN



BLODGETT COMBI

www.blodgett.com

44 Lakeside Avenue, Burlington, Vermont 05401 USA Telephone: (802) 658-6600 Fax: (802)864-0183

PN R10382 Rev J (3/07)

© 2007 – Blodgett Combi

**A PERSONAL WORD FROM BLODGETT COMBI
QUELQUES MOTS DE BLODGETT COMBI**

Congratulations on your purchase of a BLODGETT Combi appliance. We firmly believe that your choice has been a wise one, and trust you will receive many years of excellent service from your new Combi.

You will find that cooking with Combi appliances saves time, labor and extensive cleaning of both the kitchen and the unit.

With Combi appliances the quality, taste, consistency, and look of your food are improved, thus endorsing the policy to which we've always adhered: "For Better Cooking!"

Once you've had a chance to use your Combi, please tell us, your dealer and colleagues about any creative and interesting applications you have discovered; exchange ideas with other users. Be sure to advise us or your dealer immediately should any mechanical or technical problems be encountered (...we're here to help!) and above all "Enjoy Cooking the BLODGETT Combi Way!"

For information on cooking, please refer to our separate cooking guide.

Toutes nos félicitations sur votre achat d'appareil de Blodgett Combi. Nous croyons fermement que votre choix est un choix raisonnable et nous sommes certains que vous obtiendrez de nombreuses années d'excellent service de votre nouveau four multi-usages.

Vous allez découvrir que la cuisson dans les appareils Combi économise le temps, le travail et le degré de nettoyage de l'appareil aussi bien que de la cuisine.

Avec les appareil de Combi, la qualité, le goût, la consistance et l'apparence des aliments sont améliorés, s'accordant, de ce fait, avec notre politique "Pour une meilleure cuisson !"

Une fois que vous aurez eu la chance d'utiliser notre Combi, informez nous, votre concessionnaire et vos collègues, de toutes les applications nouvelles et intéressantes que vous avez découvertes ; échangez vos idées avec d'autres utilisateurs. N'hésitez pas à nous prévenir, ou votre concessionnaire, de tout problème mécanique ou technique que vous pourriez rencontrer (... nous sommes ici pour vous aider) et par-dessus tout "Régalez-vous à cuisiner à la façon BLODGETT Combi!"

Pour obtenir de plus amples informations sur l'art culinaire, veuillez consulter notre livre de cuisine séparé.

BLODGETT COMBI®

IMPORTANT

WARNING: IMPROPER INSTALLATION, ADJUSTMENT, ALTERATION, SERVICE OR MAINTENANCE CAN CAUSE PROPERTY DAMAGE, INJURY OR DEATH. READ THE INSTALLATION, OPERATING AND MAINTENANCE INSTRUCTIONS THOROUGHLY BEFORE INSTALLING OR SERVICING THIS EQUIPMENT

AVERTISSEMENT: UNE INSTALLATION, UN AJUSTEMENT, UNE ALTÉRATION, UN SERVICE OU UN ENTRETIEN NON CONFORME AUX NORMES PEUT CAUSER DES DOMMAGES À LA PROPRIÉTÉ, DES BLESSURES OU LA MORT. LISEZ ATTENTIVEMENT LES DIRECTIVES D'INSTALLATION, D'OPÉRATION ET D'ENTRETIEN AVANT DE FAIRE L'INSTALLATION OU L'ENTRETIEN DE CET ÉQUIPEMENT.

INSTRUCTIONS TO BE FOLLOWED IN THE EVENT THE USER SMELLS GAS MUST BE POSTED IN A PROMINENT LOCATION. THIS INFORMATION MAY BE OBTAINED BY CONTACTING YOUR LOCAL GAS SUPPLIER.

LES INSTRUCTIONS À RESPECTER AU CAS OÙ L'UTILISATEUR PERÇOIT UNE ODEUR DE GAZ DOIVENT ÊTRE AFFICHÉES DANS UN ENDROIT BIEN VISIBLE. VOUS POUVEZ VOUS LES PROCURER AUPRÈS DE VOTRE FOURNISSEUR DE GAZ LOCAL.

FOR YOUR SAFETY

Do not store or use gasoline or other flammable vapors or liquids in the vicinity of this or any other appliance.

AVERTISSEMENT

Ne pas entreposer ni utiliser de l'essence ni d'autres vapeurs ou liquides inflammables dans le voisinage de cet appareil, ni de tout autre appareil.

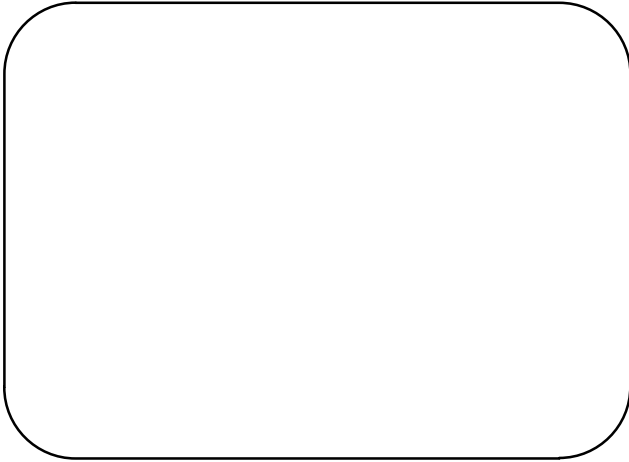
The information contained in this manual is important for the proper installation, use, and maintenance of this oven. Adherence to these procedures and instructions will result in satisfactory baking results and long, trouble free service. Please read this manual carefully and retain it for future reference.

Les informations données dans le présent manuel sont importantes pour installer, utiliser et entretenir correctement ce four. Le respect de ces instructions et procédures permettra d'obtenir de bons résultats de cuisson et une longue durée de service sans problèmes. Veuillez lire le présent manuel et le conserver pour pouvoir vous y reporter à l'avenir.

Errors: Descriptive, typographic or pictorial errors are subject to correction. Specifications are subject to change without notice.

Erreurs: Les erreurs de description, de typographie ou d'illustration font l'objet de corrections. Les caractéristiques sont sujettes à modifications sans préavis.

Your Service Agency's Address:
Adresse de votre agence de service:



Model/Modèle:

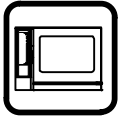
Serial Number/Numéro de série:

Your appliance was installed by/
Installateur de votre four:

Your oven's installation was checked by/
Contrôleur de l'installation de votre four:

Table of Contents/Table des Matières

Introduction		Introduction	
The Blodgett Combi-Oven/Steamer	2	Le four-éleveur Combi de Blodgett	44
Description of the Combi-Oven/Steamer	3	Description du four-éleveur Combi	45
Oven Features	4	Fonctionnalités du four	46
Installation		Installation	
Agency Approvals	5	Certifications	47
Owner's Responsibilities	6	Responsabilités du propriétaire	48
Oven Location and Ventilation	9	Emplacement du four et mise de niveau et Ventilation	51
Leg Attachment	10	Montage des pieds	52
Caster Attachment	11	Accessoire des roulettes	53
Stacking	12	Superposition	54
Oven Leveling	13	Mise de niveau du four	55
Plumbing Connections	14	Raccordement de la plomberie	56
Electrical Connections	15	Raccordement à l'électricité	57
Gas Connections	16	Raccordement au gaz	58
Gas Hose Restraint	18	Câble d'immobilisation du tuyau à gaz	60
Adjustments	19	Ajustements	61
Final Check Lists	20	Liste de vérification finale	62
Operation		Fonctionnement	
Safety Information for Gas Units	22	Renseignements sur la sécurité des appareils au gaz	64
Gas Controls	23	Commandes du gaz	65
Standard Controls	24	Commandes standard	66
Optional Cook & Hold	26	Cuisson et Pause en Option	68
Optional Meat Probe	30	Sonde thermique optionnelle	73
Maintenance		Entretien	
Spray Bottle Operating Procedure	31	Procédure de fonctionnement du pulvérisateur	74
Cleaning and Preventive Maintenance	32	Nettoyage et entretien préventif	75
Delimiting	34	Détartrage	77
Communication	41	Communications	84



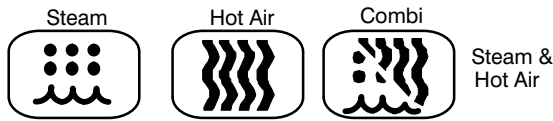
Introduction

The Blodgett Combi-Oven/Steamer

The Blodgett Combi-Oven/Steamer offers a completely new method of cooking. With the Oven/Steamer you have the choice of **two cooking processes**: **Steam** and **Hot Air**, either...

- **Separately**
- **Combined, or**
- **In Sequence**

And for easy operation you can choose from three modes:



In the **Steam** mode you can:

- | | | |
|--------|----------|--------------|
| steam | reheat | reconstitute |
| stew | thaw | simmer |
| blanch | preserve | braise |
| poach | | |

In the **Hot Air** mode you can:

- | | |
|-------|----------|
| roast | bake |
| grill | gratinat |
| broil | |

In the **Combination Steam and Hot Air** mode you can:

- | | | |
|---------|-------|-----------------|
| defrost | roast | rethermalize |
| reheat | bake | forced steaming |

You can also use two or three functions in sequence during one cooking process. We call this:

- combi-steaming
- combi-roasting
- combi-baking

The combination of circulating hot air and steam in the space saving, high performance Combi-Oven/Steamer leads to improvements in the following areas:

- increased productivity in the kitchen
- a reduction in capital expenditures for multiple equipment replacement
- a wider range of menu choices
- a simplified cleaning process

The work process is simplified since products are prepared on or in steam table pans and trays. Food can be cooked, stored, and transported with the same pans. Small amounts of product can be processed efficiently; pre-cooked and convenience foods can be reheated within minutes. Many frozen foods can be processed without pre-thawing. This flexibility in preparation reduces the need for kettles and steam tables since there is no need for large amounts of food to be kept warm for long periods of time.

Today the improvement of food quality is more important than ever. Vegetables are cooked in the Blodgett Combi-Oven/Steamer without water at the optimal temperature of just under 100°C (212°F), maintaining valuable vitamins, minerals, nutrients and trace elements. Cooking meat in the Combi results in less shrinkage and a firmer, juicier product. The Blodgett Combi-Oven/Steamer is being used more and more for baking. Steam and Hot Air modes make it a general purpose baking appliance.



Description of the Combi-Oven/Steamer

ABOUT THE OVEN/STEAMER

Blodgett Combi-Oven/Steamers are quality produced using high-grade stainless steel with first class workmanship.

The two speed fan, which is guarded against accidental finger contact, is driven by a quiet and powerful motor. The condenser draws out excess steam from the appliance. Condensation and waste water, which result during steaming and cleaning, are continuously drained.

The use of high quality insulation impedes excessive heat radiation and saves energy.

The Oven/Steamer has optional adjustable legs which adapt easily to slightly uneven surfaces and optional floor stands which are designed for use with all of the table models.

BC14E and BC14G only

The high performance fresh steam generator with its control system makes it possible to enjoy all of the advantages of a high quality steamer at the flick of a switch. Fresh steam enters the oven cavity without pressure and is circulated at high speed. This process enables quick and gentle cooking and ensures high quality food while providing convenient working methods. The steam generator is completely automatic and protected from running dry.

OVEN/STEAMER OPERATION

The practical oven door, with a viewing window, has a wide swing radius and handle which can be operated easily, even with wet or greasy hands.

Ease of operation is guaranteed through the simple arrangement of the controls. Graphic symbols make the appliance easy for even inexperienced kitchen staff to operate. Steam, Hot Air and Combi modes can be selected with one switch. The Steam On Demand feature allows the operator to add steam at any time for up to 8 minutes while operating in either the hot air or Combi modes. This feature is excellent for baking as well as roasting operations. A fourth function on the mode selection switch, the Cool Down mode, allows the oven cavity to cool down rapidly with the door opened.

The steam on demand function allows the operator the ability to introduce steam into the cooking process at any time.

Cleaning is kept to a minimum. The interior is sprayed with a self-acting cleaning solution which interacts with steam to easily remove crusts and stains. The oven is designed for easy care and is welded water tight so that the internal cooking cavity may be rinsed with a hose after the steam cleaning process.



Introduction

Oven Features

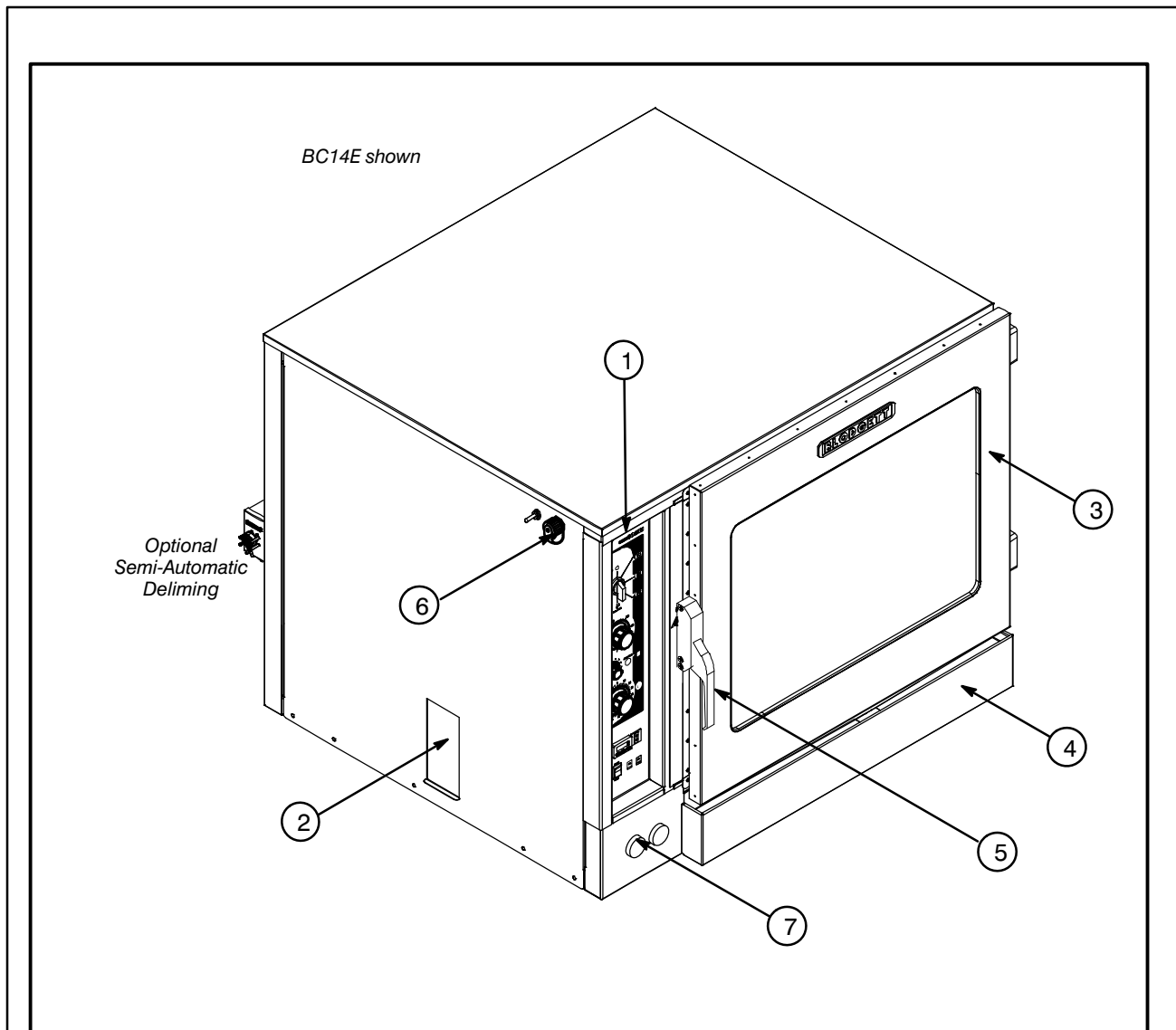


Figure 1

- | | | | |
|---|-------------------------------|---|---|
| 1 | Control Panel | 6 | Delimiting Port
(BC14E and BC14G only) |
| 2 | Power Connection (BC14E only) | 7 | Fuses (BC14E only) |
| 3 | Oven Door | | Gas Shutoff (BC14G only) |
| 4 | Drip Collector | | |
| 5 | Door Handle | | |



Agency Approvals

THE INSTALLATION INSTRUCTIONS CONTAINED HEREIN ARE FOR THE USE OF QUALIFIED INSTALLATION AND SERVICE PERSONNEL ONLY. INSTALLATION OR SERVICE BY OTHER THAN QUALIFIED PERSONNEL MAY RESULT IN DAMAGE TO THE OVEN AND/OR INJURY TO THE OPERATOR.

Qualified installation personnel are individuals, a firm, a corporation, or a company which either in person or through a representative are engaged in, and are responsible for:

- The installation or replacement of gas piping. The connection, installation, repair or servicing of equipment.
- The installation of electrical wiring from the electric meter, main control box or service outlet to the electric appliance.

Qualified installation personnel must be experienced in such work, be familiar with all precautions required and have complied with all requirements of state or local authorities having jurisdiction.

U.S. and Canadian Installations

Installation must conform with local codes, or in the absence of local codes, with the *National Fuel Gas Code, NFPA54/ANSI Z223.1—Latest Edition*, the *Natural Gas Installation Code CAN/CGA-B149.1* or the *Propane Installation Code, CAN/CGA-B149.2* as applicable.

Reference: *National Electrical Code, ANSI/NFPA 70—Latest Edition* and/or *Canadian Electrical Code CSA C22.1* as applicable.

This equipment is to be installed in compliance with the *Basic Plumbing Code of the Building Officials and Code Administrators International Inc. (BOCA)* and the *Food Service Sanitation Manual of the Food and Drug Administration (FDA)*.

General Export Installations

Installation must conform with Local and National installation standards. Local installation codes and/or requirements may vary. If you have any questions regarding the proper installation and/or operation of your appliance, please contact your local distributor. If you do not have a local distributor, please call Blodgett Combi at 0011-802-860-3700.





Installation

Owner's Responsibilities

Installation responsibilities prior to service startup inspection

You are entitled to a free start-up inspection service by our factory ASAP. Before a factory representative arrives to perform a startup procedure, the owner must already have satisfied the following requirements.

- Oven(s) are uncrated, stacked (if applies) and put in place.

NOTE: Please refer to Leg Attachment and Stacking.

Maximum shelf loading – 60 lbs (27.3 Kg)

PLUMBING SPECIFICATIONS – BC14E/AA, BC14G/AA and B14G/AB

PLUMBING SPECIFICATIONS – BC14E/AA, BC14G/AA and B14G/AB	
Water	
Water Pressure	30 PSI (207 kPa) minimum 50 PSI (345 kPa) maximum
Water Connection	3/4" Hose Hot and Cold Water
Water Pressure Regulator Setting	BC-14E/G – Preset to 30 PSI (207 kPa) B-14G – Preset to 3 PSI (21 kPa)
Minimum Requirements	TDS – less than 100 parts per million Total Hardness – 80-120 parts per million Chlorides – less than 30 parts per million pH Factor – 7.0-8.0
Drainage	Atmospheric Vented Drain
Drain Connection	2.00" (50.8mm) Copper
Avg Water Drain Temp.	Approximately 160°F (71°C)

Installation



Owner's Responsibilities

RATINGS – GAS APPLIANCES – BC14G/AA					
Gas Type	Gas Input	Voltage	Phase	Amps	Motor
U.S. and Canadian Installations					
Natural	Steam – 55,000 BTU/Hr Hot Air – 65,000 BTU/Hr Total – 115,000 BTU/Hr	208-240	1	15	1/2HP 208-240VAC, 50/60 Hz
		120	1	15	1/2HP 208-240VAC, 50/60 Hz
Propane	Steam – 48,000 BTU/Hr Hot Air – 65,000 BTU/Hr Total – 113,000 BTU/Hr	208-240	1	15	1/2HP 208-240VAC, 50/60 Hz
		120	1	15	1/2HP 208-240VAC, 50/60 Hz
3/4" FNPT connector for all U.S. and Canadian installations					

RATINGS – GAS APPLIANCES – B14G/AB					
Gas Type	Gas Input	Voltage	Phase	Amps	Motor
U.S. and Canadian Installations					
Natural	65,000 BTU/Hr	120	1	15	1/2HP 208-240VAC, 50/60 Hz
Propane	65,000 BTU/Hr	120	1	15	1/2HP 208-240VAC, 50/60 Hz
3/4" FNPT connector for all U.S. and Canadian installations					



Installation

Owner's Responsibilities

RATINGS – ELECTRIC APPLIANCES – BC14E/AA						
Voltage	Hz	Phase	Max Load (amps)			Motor
			L1	L2	L3	
208	60	1	89	89	–	1/2HP 208-240VAC, 50/60 Hz
208	60	3	52	52	52	1/2HP 208-240VAC, 50/60 Hz
240	60	1	82	82	–	1/2HP 208-240VAC, 50/60 Hz
240	60	3	47	47	47	1/2HP 208-240VAC, 50/60 Hz
480	60	3	23	23	23	1/2HP 208-240VAC, 50/60 Hz
380/220	50	3	25	25	25	1/2HP 208-240VAC, 50/60 Hz
415/240	50	3	27	27	27	1/2HP 208-240VAC, 50/60 Hz
400/230	50	3	26	26	26	1/2HP 208-240VAC, 50/60 Hz



Oven Location and Ventilation

OVEN LOCATION

The well planned and proper placement of your oven will result in long term operator convenience and satisfactory performance.

Certain minimum clearances must be maintained between the oven and any combustible or non-combustible construction. See the table below.

In addition, the following clearances are recommended for servicing.

- Oven body sides – 12” (30cm)
- Oven body back – 12” (30cm)

NOTE: *On gas models, routine servicing can usually be accomplished within the limited movement provided by the gas hose restraint. If the oven needs to be moved further from the wall, the gas must first be turned off and disconnected from the oven before removing the restraint. Reconnect the restraint after the oven has been returned to its normal position.*

Left Side Heat Shield

Heat sources should not be near the air vents located on the left hand side of the gas appliance. Consult the factory for optional protective side heat shield.

BC14E/G P/N R9527

Oven Model	MINIMUM REQUIRED CLEARANCES		
	Right Side	Left Side	Back
BC14E	1” (25.4mm)	4” (101.6mm)	6” (152.4mm)
BC14G	1” (25.4mm)	6” (152.4mm)	6” (152.4mm)
B14G	0” (0mm)*	0” (0mm)	6” (152.4mm)

* 0” (0mm) clearance from hose hooks

VENTILATION

The necessity for a properly designed and installed ventilation system cannot be over emphasized. The ventilation system will allow the unit to function properly while removing unwanted vapors and products of combustion from the operating area.

The appliance must be vented with a properly designed mechanically driven exhaust hood. The hood should be sized to completely cover the equipment plus an overhang of at least 6” (15 cm) on all sides not adjacent to a wall. The capacity of the hood should be sized appropriately and provisions made for adequate makeup air.



WARNING!!

Failure to properly vent the oven can be hazardous to the health of the operator; and will result in operational problems, unsatisfactory baking, and possible damage to the equipment. Damage sustained as a direct result of improper ventilation will not be covered by the Manufacturer’s warranty.

When installed in the Commonwealth of Massachusetts, this appliance must be interlocked with the hood exhaust system so that the appliance may be operated only when the hood exhaust system is running.

U.S. and Canadian Installations

Refer to your local ventilation codes. In the absence of local codes, refer to the National ventilation code titled, “Standard for the Installation of Equipment for the Removal of Smoke and Grease Laden Vapors from Commercial Cooking Equipment”, NFPA-96- Latest Edition.

General Export Installations

Installation must conform with Local and National installation standards. Local installation codes and/or requirements may vary. If you have any questions regarding the proper installation and/or operation of your unit, please contact your local distributor. If you do not have a local distributor, please call Blodgett Combi at 0011-802-860-3700.



Installation

Leg Attachment

LEG OPTIONS

Legs are available in 4" (101mm), 6" (152mm) or 25" (635mm) lengths or low profile casters.

- The 4" (101mm) legs may be used when mounting on a counter.
- The 6" (152.4mm) legs are used on the lower section of a double stacked appliance.
- The 25" (635mm) legs are used for a single appliance located on the floor.

NOTE: For safety reasons, casters must not be used with the 25" (635mm) legs.

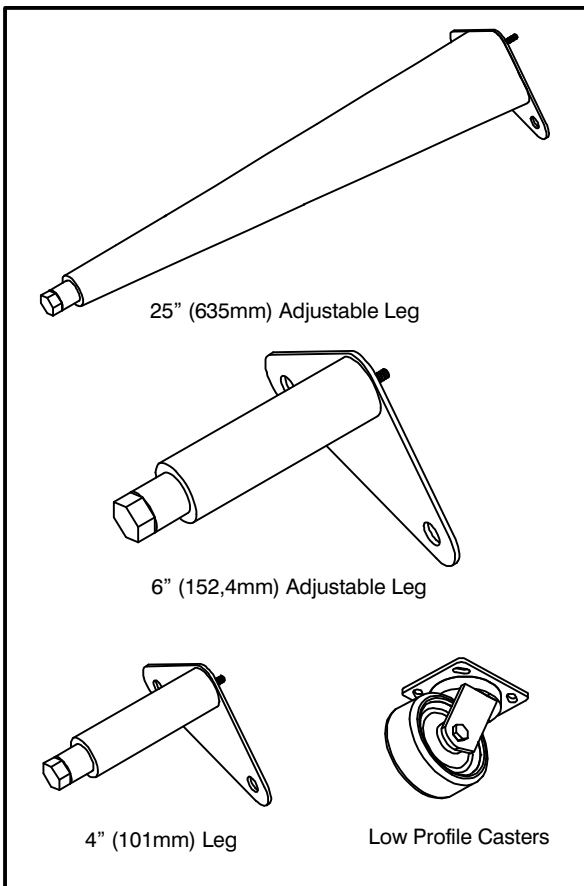


Figure 2

ATTACHMENT

1. Align the threaded stud on one of the front legs to the bolt hole located in the bottom corner of the appliance. Turn the leg clockwise and tighten to the nearest full turn.
2. Align the leg plate holes with the bolt holes. Secure with the two 1/2" bolts provided.
3. Repeat the above steps with the other front leg. *If low profile casters are used, install them with the locking casters in the front of the oven. The rear casters do not lock. **Ensure that the locks are set on the front casters.***
4. Tip the oven up on the newly installed front legs. *If casters are used, check that the locks are set on the front casters.* Repeat the above steps for the rear legs.
5. Level the oven by screwing the adjustable feet in or out as necessary.

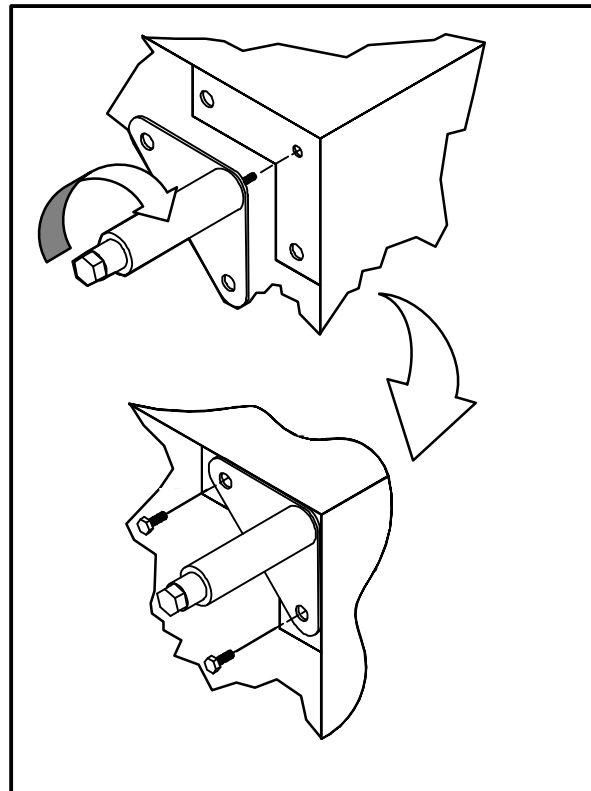


Figure 3



Caster Attachment

1. Place a level on the floor where the casters are to rest.
2. Place shims under the low side until it is level.
3. Mount the shims between the casters and the oven as follows:
 - a.) Align the shims and caster holes with the bolt holes.
 - b.) Secure with the 1/2" bolts provided.

NOTE: *Install them with the locking casters in the front of the oven. The rear casters do not lock. **Ensure that the locks are set on the front casters.***

4. Tip the oven up on the newly installed casters.

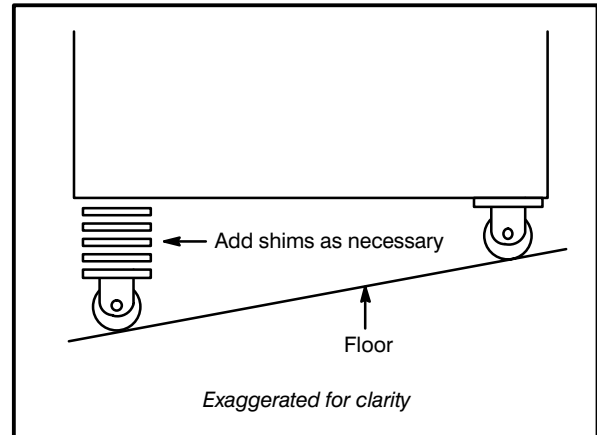


Figure 4



Installation

Stacking



WARNING!!

Stacking should be performed by qualified installation personnel only. The appliances are heavy. Take care to use proper tools and techniques when lifting and stacking appliances.

1. Remove the drip pan from the top appliance.
2. Attach the legs or casters to the bottom appliance. See page 10.
3. Place the top appliance on the bottom appliance. Be sure all four sides are flush.
4. Bolt the two appliances together using the bolts provided.

5. **GAS APPLIANCES ONLY:** Attach the flue vents as shown.

NOTE: For electric appliances proceed to step 6.

6. Replace the drip pan. Push to the right until it stops. The right side should overhang the oven.
7. Connect the drain, gas (if applicable), electrical and water. Refer to pages 14–18.

NOTE: An optional gas manifold may be purchased from Blodgett Combi. Order part number R9570.

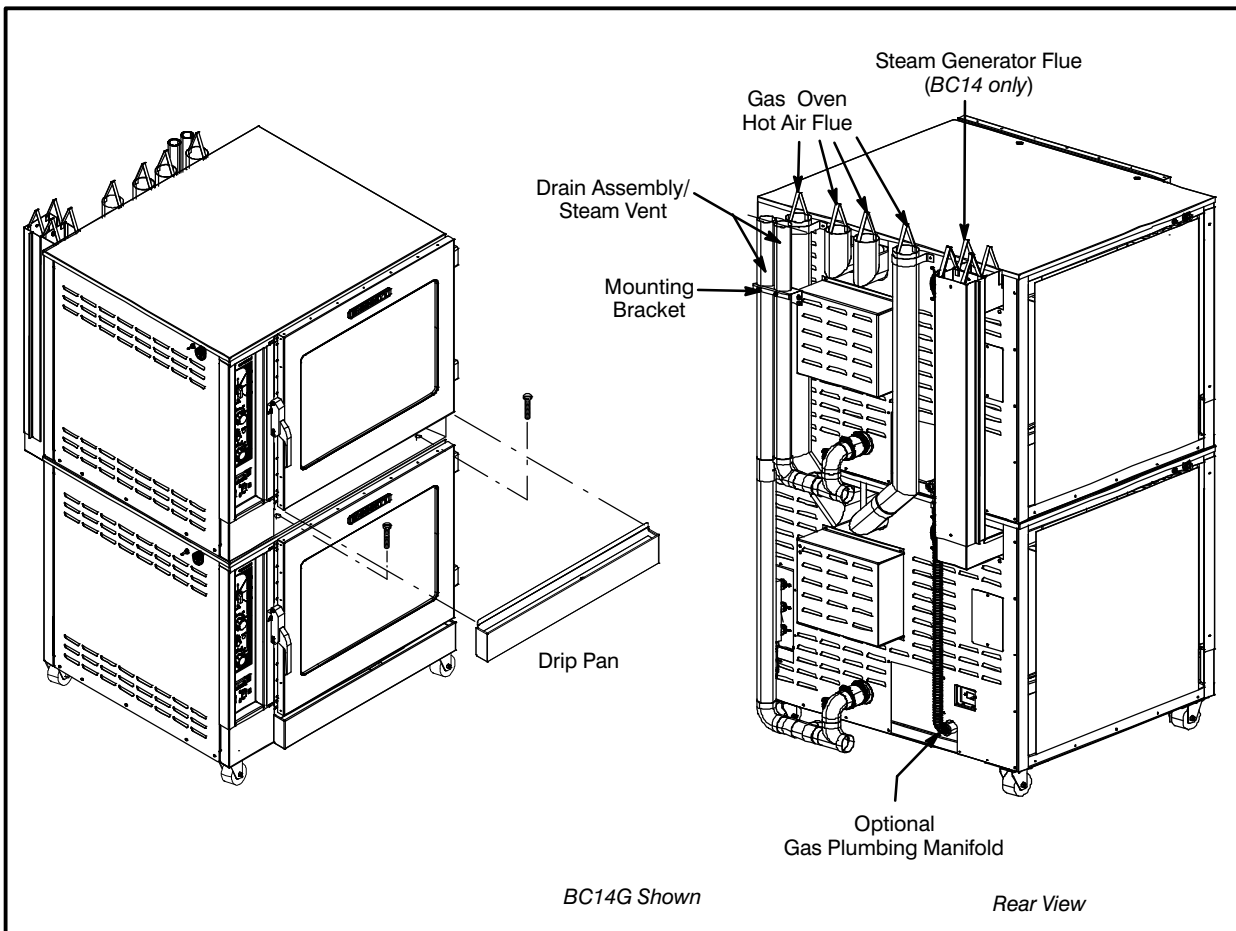


Figure 5



OVEN LEVELING

This oven should be set up in place.

With any stand or oven, be certain that the surface is level, even and solid. A sloped or uneven base may cause the appliance to function improperly. Minor unevenness can be corrected by adjusting the metal leg feet. The maximum adjustment of the leg feet is 1-3/8" (35mm).

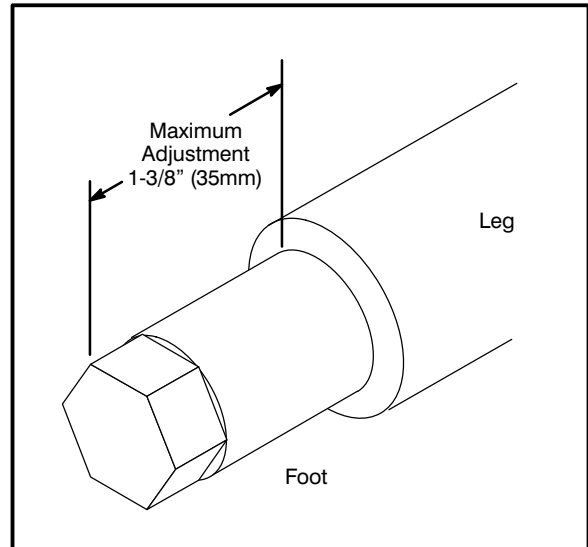


Figure 6



Installation

Plumbing Connections

WATER CONNECTION

NOTE: Hot water maximizes steam production but is not required. Cold water may be supplied to both inlets if hot water is not available.

Connect the appliance to quality water via a pressure hose with 3/4" (19mm) couplings. See Figure 7 for connections. A shut off valve is to be provided adjacent to the oven.



WARNING!!

Operating the appliance without the water regulator installed will invalidate your warranty.

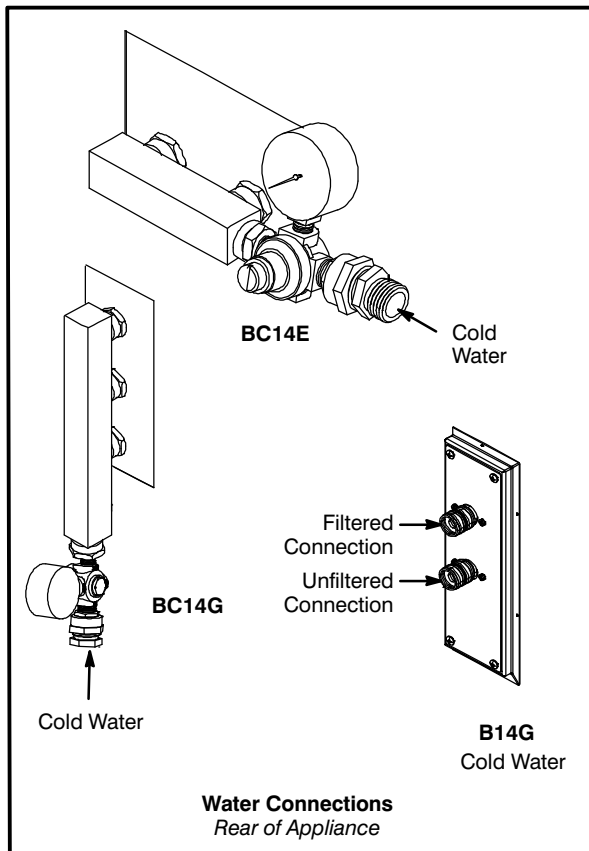


Figure 7

This product must be installed by a licensed Plumber or Gas Fitter when installed within the Commonwealth of Massachusetts.

DRAIN CONNECTION

The steam vent assemblies are constructed of 2" DWV copper piping reduced to 1-1/2 DWV pipe.

The steam vent should be run to an open floor drain avoiding flexible hose that could sag and allow trapped water to accumulate. The customer must supply the piping from the oven to the drain.

Connect drip pan drain to main drain using the 12" flexible hose with hose clamps provided.

Use the drain vent assembly and a 2" (50.8mm) pipe for drain connection.

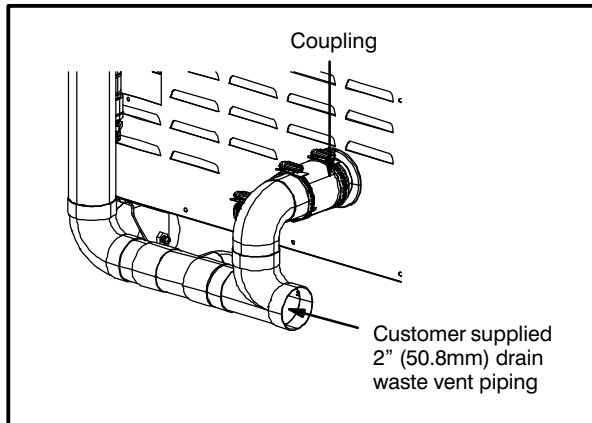


Figure 8

Specific water/drain connection for City of Los Angeles

1. Each drain line from the appliance shall be routed without dips or sags to terminate above the flood level rim of an approved indirect waste receptor.
2. The appliance shall be installed in accordance with the manufacturer's printed instructions and the LAPC and LAMC, 1999 editions.
3. A backflow protection device may be required by local codes. If so, install on the potable water system directly ahead of the appliance. The backflow protection device shall be any of the following: an approved pressure type vacuum breaker installed at least 12" above the highest point of use, a double check valve backflow preventer or a reduced pressure principal backflow preventer.



Electrical Connections

ELECTRICAL CONNECTION

All Models

NOTE: Electrical connections must be performed by a qualified installer only.

Before making any electrical connections to these appliances, check that the power supply is adequate for the voltage, amperage, and phase requirements stated on the rating name plate mounted on the appliance.

The circuit breaker that is used to provide power to this appliance must have a minimum of .076" (3mm) contact spacing. The circuit breaker must meet all Local and National installation standards.

All appliances must be installed in accordance with Local or National Electrical codes.

A wiring schematic is located on the inside of the removeable side panel.

NOTE: Disconnect the power supply to the appliance before servicing.



WARNING!!

Improper installation may invalidate your warranty.

Electric Models

A strain relief for the power supply cord is required. The installer must supply a cord bushing that meets all Local and National installation standards.

Gas Models

U.S. and Canadian Installations

A power cord (115V or 230V) is supplied with a plug attached. Plug the power cord into the desired receptacle.



WARNING!!

If the supply cord is damaged, it must be replaced by a special cord or assembly available from the manufacturer or its service agent.



Installation

Gas Connections

GAS PIPING

A properly sized gas supply system is essential for maximum oven performance. Piping should be sized to provide a supply of gas sufficient to meet the maximum demand of all appliances on the line without loss of pressure at the equipment.

Example:

NOTE: BTU values in the following example are for natural gas.

You purchase a BC14G to add to your existing cook line.

- Add the BTU rating of your current appliances.

Pitco Fryer	120,000 BTU
6 Burner Range	60,000 BTU
Deck Oven	<u>50,000 BTU</u>
Total	230,000 BTU

- Add the BTU rating of the new oven to the total.

Previous Total	230,000 BTU
BC14G	<u>115,000 BTU</u>
New Total	345,000 BTU

- Measure the distance from the gas meter to the cook line. This is the pipe length. Let's say the pipe length is 30' (9 m) and the pipe size is 1" (2.54 cm).

- Use the appropriate table to determine the total capacity of your current gas piping.

The total capacity for this example is 375,000 BTU. Since the total required gas pressure, 345,000 BTU is less than 375,000 BTU, the current gas piping will not have to be increased.

NOTE: The BTU capacities given in the tables are for straight pipe lengths only. Any elbows or other fittings will decrease pipe capacities. For example: a schedule 40 1-1/2" ell fitting has an equivalent capacity of 4.2" (10.2 cm) of straight pipe. Contact your local gas supplier if you have any questions.

Maximum Capacity of Iron Pipe in Cubic Feet of Natural Gas Per Hour
(Pressure drop of 0.5 Inch W.C.)

Pipe Length (ft)	Nominal Size, Inches				
	3/4"	1"	1-1/4"	1-1/2"	2"
10	360	680	1400	2100	3950
20	250	465	950	1460	2750
30	200	375	770	1180	2200
40	170	320	660	990	1900
50	151	285	580	900	1680
60	138	260	530	810	1520
70	125	240	490	750	1400
80	118	220	460	690	1300
90	110	205	430	650	1220
100	103	195	400	620	1150

From the National Fuel Gas Code Part 10 Table 10-2

Maximum Capacity of Pipe in Thousands of BTU/hr of Undiluted P.P. Gas at 11" W.C.
(Pressure drop of 0.5 Inch W.C.)

Pipe Length (ft)	Inside Diameter, Inches		
	3/4"	1"	1-1/2"
10	608	1146	3525
20	418	788	2423
30	336	632	1946
40	287	541	1665
50	255	480	1476
60	231	435	1337
70	215	404	1241
80	198	372	1144
90	187	351	1079
100	175	330	1014

From the National Fuel Gas Code Part 10 Table 10-15



Gas Connections

PRESSURE REGULATION AND TESTING

The gas pressure to the appliance must be rated for each appliance while the burners are on. A sufficient gas pressure must be present at the inlet to satisfy these conditions. Refer to the table below for correct gas pressure.

Each appliance has been adjusted at the factory to operate with the type of gas specified on the rating plate attached to the right side of the appliance.

Each oven is supplied with a regulator to maintain the proper gas pressure. **The regulator is essential to the proper operation of the oven and should not be removed.**

DO NOT INSTALL AN ADDITIONAL REGULATOR WHERE THE UNIT CONNECTS TO THE GAS SUPPLY UNLESS THE INLET PRESSURE IS GREATER THAN 14" W.C. (1/2 PSI) (37mbar).

The oven and its individual shutoff valve must be disconnected from the gas supply piping system during any pressure testing of that system at test pressures in excess of 1/2 psig (3.45kPa).

The oven must be isolated from the gas supply piping system by closing its individual manual

shutoff valve during any pressure testing of the gas piping system at test pressures equal or less than 1/2 psig (3.45kPa).

Prior to connecting the appliance, gas lines should be thoroughly purged of all metal filings, shavings, pipe dope, and other debris. After connection, the appliance must be checked for correct gas pressure.

U.S. and Canadian Installations

Installation must conform with local codes, or in the absence of local codes, with the *National Fuel Gas Code, NFPA54/ANSI Z223.1—Latest Edition*, the *Natural Gas Installation Code CAN/CGA-B149.1* or the *Propane Installation Code, CAN/CGA-B149.2* as applicable.

General Export Installations

Installation must conform with Local and National installation standards. Local installation codes and/or requirements may vary. If you have any questions regarding the proper installation and/or operation of your appliance, please contact your local distributor. If you do not have a local distributor, please call Blodgett Combi at 0011-802-860-3700.

GAS PRESSURE					
Gas Type	Inlet Pressure	Orifice Size at Sea Level		Manifold Pressure	
		Hot Air	Steam	Hot Air	Steam
U.S. and Canadian Installations					
Natural	7–14" W.C.	.0531" dia	.042" dia	3.5" W.C.	3.5" W.C.
Propane	12–14" W.C.	.032" dia	.026" dia	10.0" W.C.	10.0" W.C.



Installation

Gas Hose Restraint

If the appliance is mounted on casters, a commercial flexible connector with a minimum of 3/4" (1.9 cm) inside diameter must be used along with a quick connect device.

A restraint must be used to limit the movement of the appliance so that no strain is placed upon the flexible connector. The restraint should be fastened to the base frame of the oven as close to the flexible connector as possible. It should be short enough to prevent any strain on the connector. With the restraint fully stretched the connector should be easy to install and quick connect.

The restraint (ie: heavy gauge cable) should be attached without damaging the building. DO NOT use the gas piping or electrical conduit for the attachment of the permanent end of the restraint! Use anchor bolts in concrete or cement block. On wooden walls, drive hi test wood lag screws into the studs of the wall.



WARNING!!

If the restraint is disconnected for any reason it must be reconnected when the appliance is returned to its original position.

U.S. and Canadian installations

The connector must comply with the *Standard for Connectors for Movable Gas Appliances, ANSI Z21.69* or *Connectors For Moveable Gas Appliances CAN/CGA-6.16* and a quick disconnect device that complies with the *Standard for Quick-Disconnect Devices for Use With Gas Fuel, ANSI Z21.41* or *Quick Disconnect For Use With Gas Fuel CAN 1-6.9*. Adequate means must be provided to limit the movement of the appliance without depending on the connection and the quick disconnect device or its associated piping.

A drip leg must be used at each appliance. Refer to *NFPA54/ANSI Z223.1 - Latest Edition* (National Fuel Gas Code) for proper drip leg installation.

General export installations

Installation must conform with Local and National installation standards. Local installation codes and/or requirements may vary. If you have any questions regarding the proper installation and/or operation of your appliance, please contact your local distributor. If you do not have a local distributor, please call Blodgett Combi at 0011-802-860-3700.

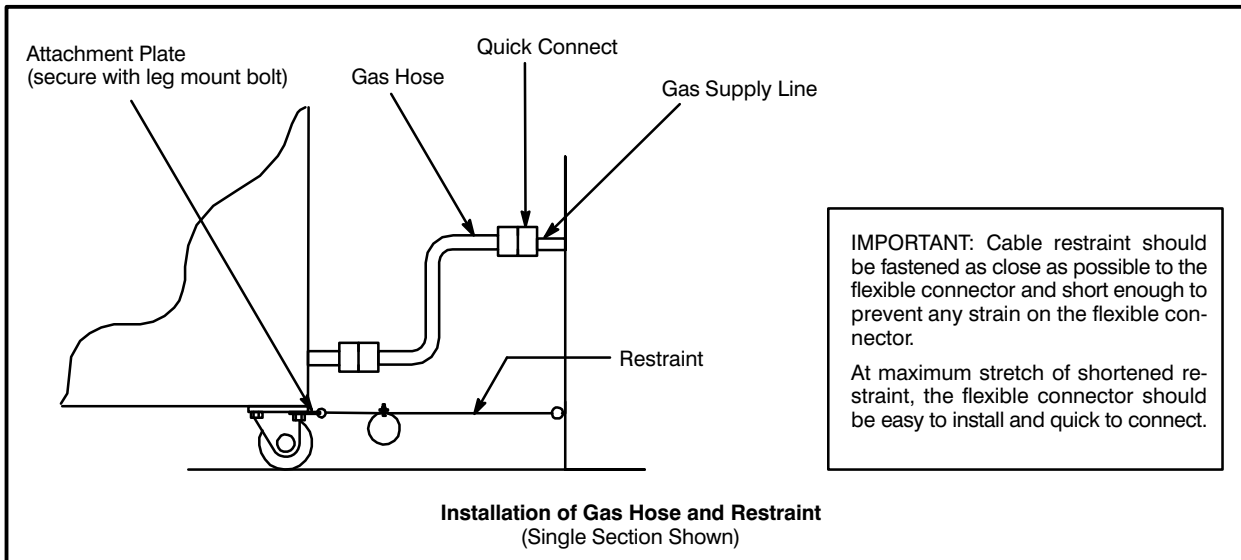


Figure 9



Adjustments

Before applying power to the appliance for the first time, check for the following conditions:

- All electrical safety provisions have been adhered to and the electrical connections are correct.
- Water is connected, turned on and all of the connections are water tight.
- The pan holders are inserted into the oven cavity.

DOOR ADJUSTMENT

The door catch may be adjusted in four directions, in and out, and up and down, using the following procedure:

1. Adjust up and down by loosening the two bolts holding the catch to the face of the appliance. See Figure 10 (A).
2. Make adjustments so that the leading face of the latch is centered in the opening of the handle assembly.
3. Tighten the bolts so that there is no further movement.
4. Adjust in and out by loosening the bolt on top of the catch. See Figure 10 (B).
5. The adjustment face is stepped so that movement is limited with the bolt tightened properly.
6. The adjustment is correct when the door closes firmly and no steam leaks from the gasket.

The hinges can also be adjusted as follows:

1. Be certain the latch is adjusted properly.
2. Adjust hinges so that the door back and the appliance face are parallel. See Figure 10 (C).
3. The adjustment is correct when no steam leaks through the gasket.

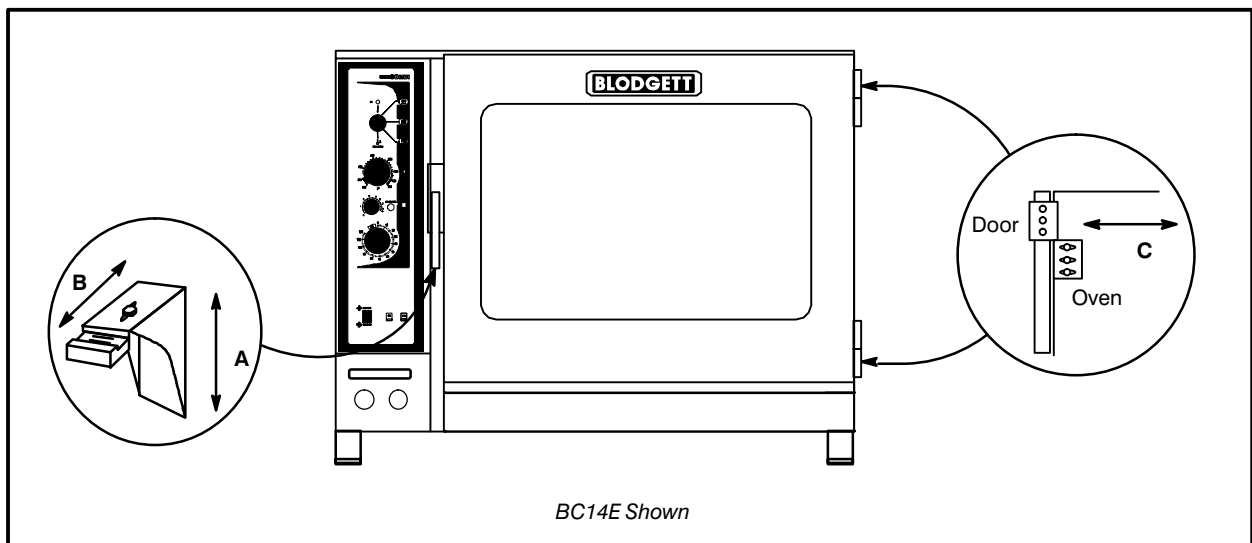


Figure 10



Installation

Final Check Lists



WARNING!!

Final check list must be performed by a qualified installer only.

ELECTRICAL CONTROL COMPARTMENT

- Voltage to appliance matches rating plate

PLUMBING FINAL CHECK

- Incoming water pressure within appliance specification.
- Atmospheric vented drain in place.
- Water solenoid properly bracketed and not leaking.
- Water feed lines intact without leaks.
- Optional Spray Hose connected properly. Connect the optional spray hose to the fill solenoid as shown.

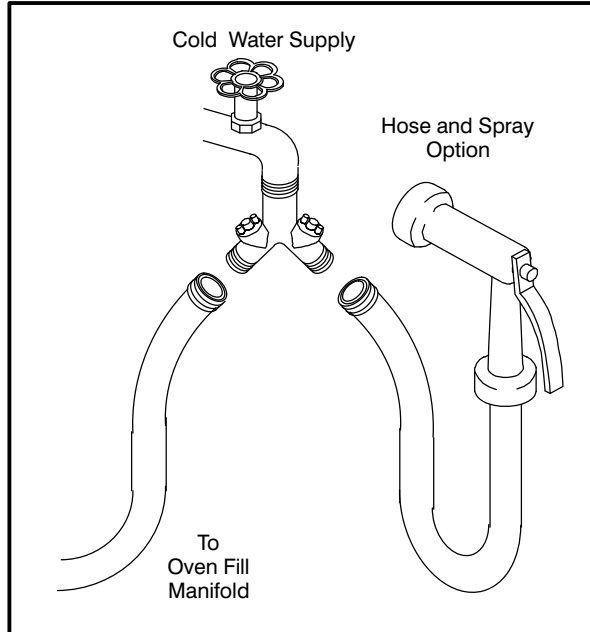


Figure 11



Final Check Lists

OVEN OPERATIONAL TESTS

NOTE: Checks to be made by customer or authorized service agent.

Cool Down Mode

- Check that the fan runs with the door open.

Steam Mode

Turn on STEAM mode and set thermostat to steam. Verify the following:

- Heat demand lamp is on.
- Heat demand lamp shuts off at approximately 212°F (100°C).
- Check timer operation in all three positions
 - a.) Set timer to "OFF" position, buzzer should sound.
 - b.) Set timer in position other than "OFF" or "STAY ON", timer should count down.
 - c.) Set timer in "STAY ON" position, oven should operate continuously without timer.
- Run light (power light) turns on.
- Unit produces steam, window fogs, door seal does not leak.

Combi Mode

Turn to COMBI mode, set thermostat to 350°F (177°C) and verify:

- Heat demand lamp is on.
- Oven is heating.
- Heat demand lamp shuts off at 350°F (177°C) and oven maintains 350°F (177°C).
- Fan shuts off with door open.

Hot Air Mode

Turn to HOT AIR mode and set thermostat to 400°F (204°C) and verify:

- Heat demand lamp is on.
- Oven is heating.
- Heat demand lamp shuts off at 400°F (204°C) and oven maintains 400°F (204°C).
- Fan shuts off with door open.

Steam On Demand Mode

Turn the oven to Hot Air mode. Set Steam On Demand for 1 minute. Press the Steam On Demand button and verify:

- Steam demand lamp is on.
- Steam demand lamp shuts off after approximately 1 minute.



Operation

Safety Information for Gas Units

THE INFORMATION CONTAINED IN THIS SECTION IS PROVIDED FOR THE USE OF QUALIFIED OPERATING PERSONNEL. QUALIFIED OPERATING PERSONNEL ARE THOSE WHO HAVE CAREFULLY READ THE INFORMATION CONTAINED IN THIS MANUAL, ARE FAMILIAR WITH THE FUNCTIONS OF THE OVEN AND/OR HAVE HAD PREVIOUS EXPERIENCE WITH THE OPERATION OF THE EQUIPMENT DESCRIBED. ADHERENCE TO THE PROCEDURES RECOMMENDED HEREIN WILL ASSURE THE ACHIEVEMENT OF OPTIMUM PERFORMANCE AND LONG, TROUBLE-FREE SERVICE.

Please take the time to read the following safety and operating instructions. They are the key to the successful operation of your Blodgett Combi appliance.



SAFETY TIPS

For your safety read before operating

What to do if you smell gas:

- DO NOT try to light any appliance.
- DO NOT touch any electrical switches.
- Use an exterior phone to call your gas supplier immediately.
- If you cannot reach your gas supplier, call the fire department.

What to do in the event of a power failure:

- Turn all switches to off.
- DO NOT attempt to operate the appliance until the power is restored.

NOTE: In the event of a shut-down of any kind, allow a five (5) minute shut off period before attempting to restart the oven.

General safety tips:

- DO NOT use tools to turn off the gas control. If the gas cannot be turned off manually do not try to repair it. Call a qualified service technician.
- If the oven needs to be moved for any reason, the gas must be turned off and disconnected from the appliance before removing the restraint cable. Reconnect the restraint after the oven has been returned to its original location.
- DO NOT remove the control panel cover unless the oven is unplugged.



Gas Controls

CONTROLS IDENTIFICATION

1. **GAS CONTROL SWITCH** – Used to turn gas on or off.
2. **GAS ON POSITION** – Press the switch into the I position.
3. **GAS OFF POSITION** – Press the switch into the O position.

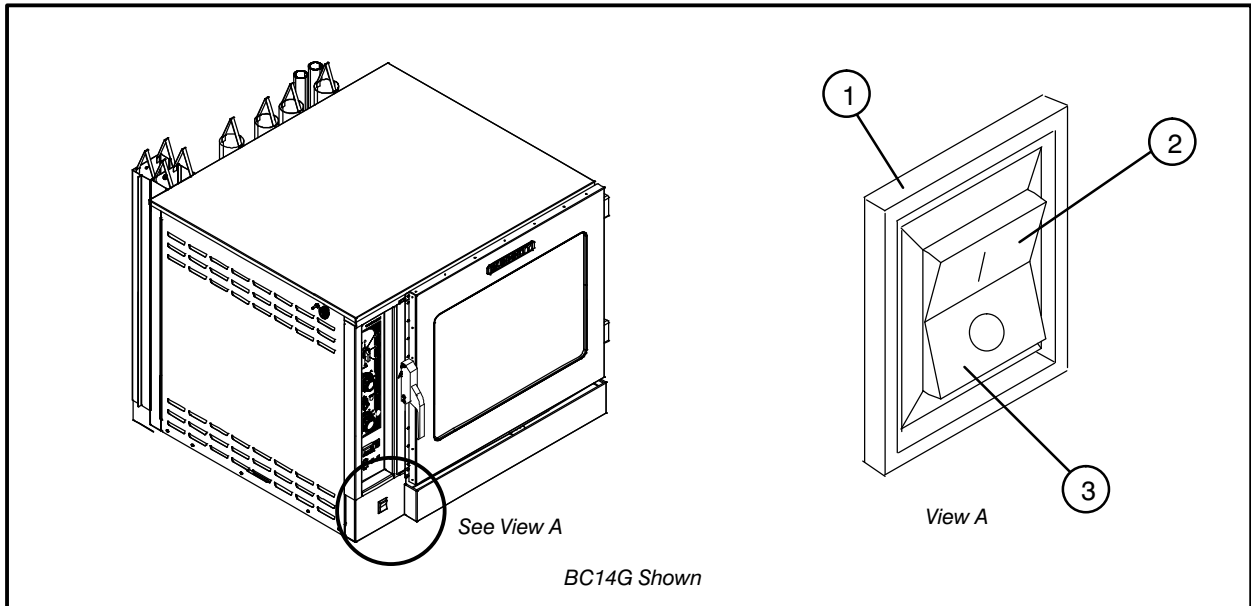


Figure 12



Operation

Standard Controls

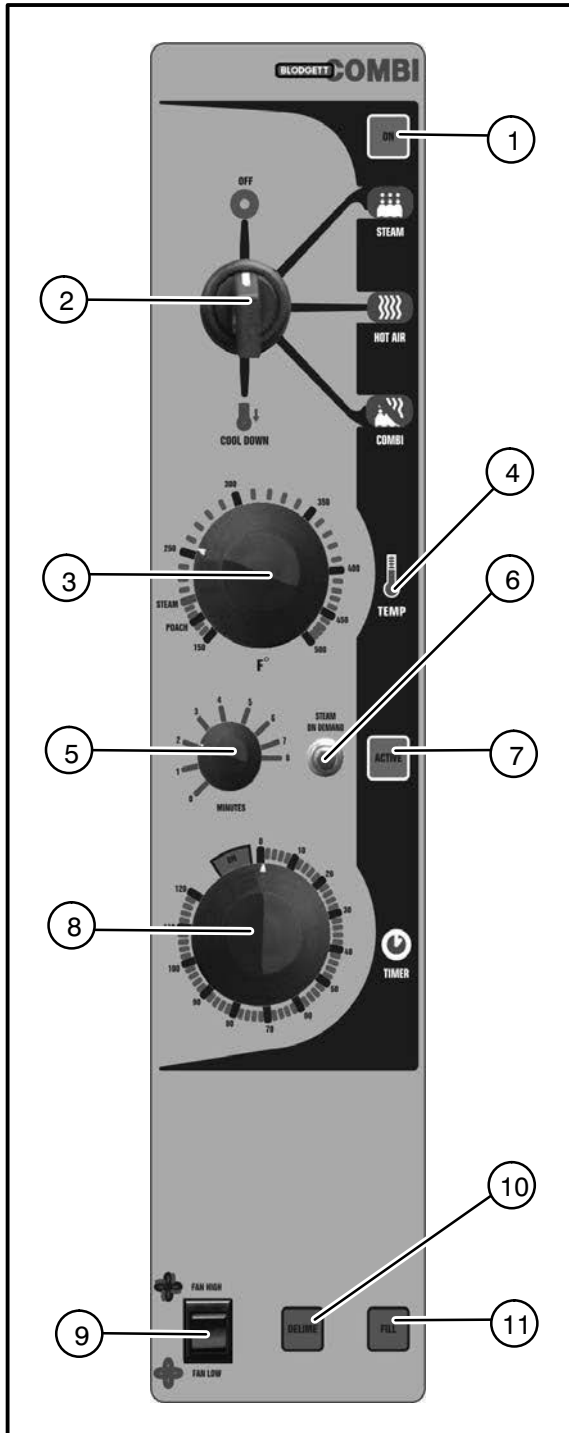


Figure 13

CONTROLS IDENTIFICATION

1. **POWER ON LAMP** – when lit indicates power to the unit is turned on.
2. **MODE SELECTOR SWITCH** – turns power to the oven on or off. Allows selection of Steam, Hot Air, Combi or Cool Down Modes.
3. **TEMPERATURE DIAL** – used to set desired cooking temperature.
4. **HEAT ON LIGHT** – When lit indicates that the unit is heating. The light goes off when the unit has reached the set temperature.
5. **STEAM ON DEMAND TIMER** – used to set steam time
6. **STEAM ON DEMAND SWITCH** – used to initiate steam injection cycle
7. **STEAM ON DEMAND LAMP** – illuminated when steam on demand is activated.
8. **TIMER DIAL** – used to set desired cook time.
9. **FAN SPEED SWITCH** – used to select low or high speed.
10. **DELIME LAMP** – Flashes when steam generator deliming is needed. Remains steady when deliming process is active.
NOTE: B14G does not have a delime lamp.
11. **BC14 FILL LAMP** – illuminated until the steam generator is filled with water
B14 CLEAN OVEN LAMP – informs user to clean oven, including behind the fan guard and fan



OPERATION

1. Turn the MODE SELECTOR Switch (2) to the desired function.
2. Set the TIMER (8) to *ON*.
3. For the HOT AIR and COMBI modes, set the TEMPERATURE Dial (3) to the desired cook temperature.

NOTE: The optimum temperature for Combi mode is 300-350 °F (149-177 °C).

For STEAM mode set the TEMPERATURE Dial (3) no higher than 212°F (100°C).

NOTE: For steaming use 212 °F (100 °C). For poaching turn the temperature dial to the POACH position, 180 °F (82 °C).

4. Once the oven is preheated, place the food inside and close the door.
5. Set the TIMER (8) for the desired cook time.
6. The selected mode operates automatically. The temperature, time and mode can be altered at any time during the cooking process. The operation can be stopped by the use of the Mode Selector Switch or by opening the door.
7. At the end of the specified time period, the buzzer sounds and the appliance will shut off automatically. Turn the TIMER (8) to the *ON* position to stop the buzzer and restart the appliance in a continuous on mode. Or, simply turn the mode switch to the off position.
8. To cool down the oven cavity, switch the MODE SELECTOR Switch (2) to *COOL DOWN*. In the Cool Down mode neither the temperature dial or the timer will be operational.

NOTE: The unit can be cooled down rapidly for steaming, cleaning, etc. Open the door wide and select the cool down mode. The oven will cool from 350–212 °F (177–100 °C) in approximately two minutes.

9. The mode selector switch is also the main power switch. In the *OFF* position the appliance is not operational.

Steam on Demand

How to set the Steam On Demand mode:

While in the Hot Air or Combi mode, the unit can be set to steam for a timed period. At the end of the timed cycle the unit reverts back to the original setting. Steam On Demand can be used at any time during the cook cycle.

NOTE: Steam On Demand is not available in steam mode.

1. Set the desired “steam on” time with the STEAM ON DEMAND TIMER (5).
2. Press the STEAM ON DEMAND SWITCH (6).

This feature is useful in many ways. A few are listed below. Most of the ideas came from our creative customers. Experiment with this feature on your own and let us know of any new uses.

- Add a minute or two at the beginning when baking bread for a shiny crust.
- Kick start large loads such as 20 or more chickens. By starting large loads with 5 to 8 minutes of steam you help the oven recover and cut the cooking time by more than 10%.
- Bake bagels without boiling. By starting raw bagels with 1 to 2 minutes of steam you can achieve a beautiful crust.
- Cream caramel is great at 230°F to 250°F in the Combi mode using 2 minutes of on demand steam.
- When cooking chicken wings, try setting the oven in the Combi mode at 375°F and use 3 minutes of Steam On Demand. This method will stop the tips from burning. Total cooking time is approximately 12 minutes.
- Pork ribs tend to pull off the bone better when using 5–8 minutes of Steam On Demand. Try ribs in the Combi mode at 350°F.



Operation

Optional Cook & Hold

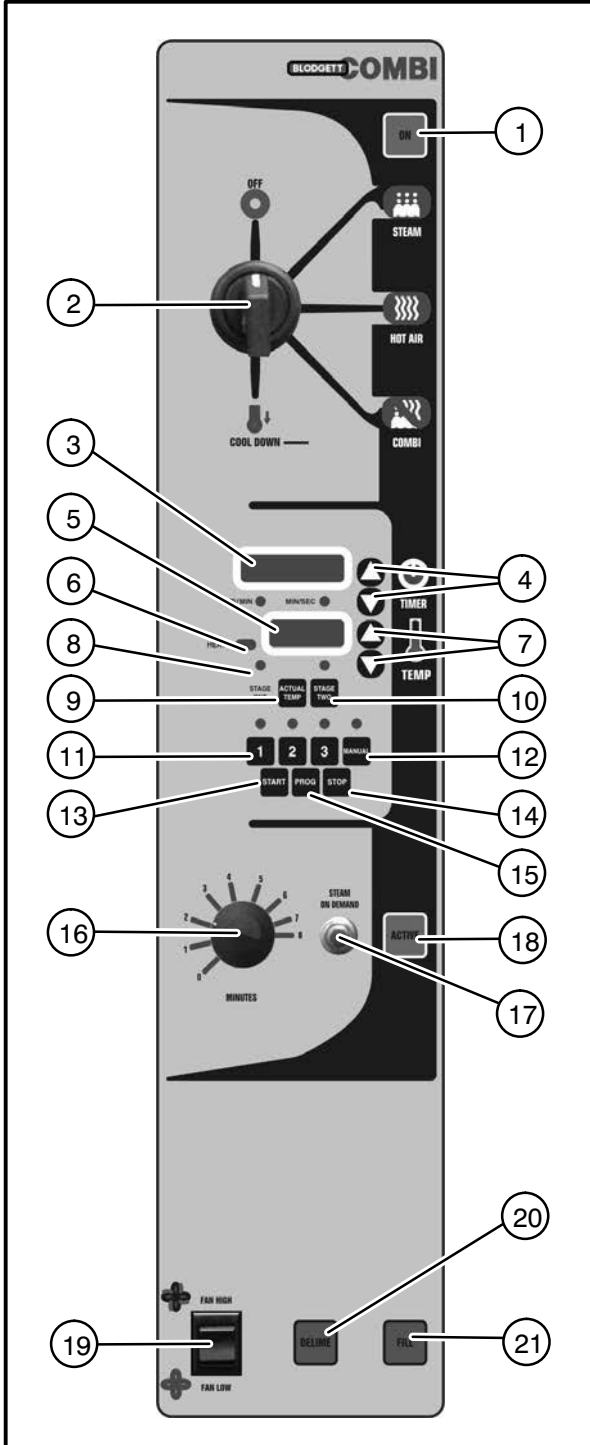


Figure 14

CONTROLS IDENTIFICATION

1. **POWER ON LIGHT** – when lit indicates power to the unit is turned on.
2. **MODE SELECTOR SWITCH** – controls power to the oven and selection of steam, hot air and combi modes. The convection fan runs with the switch in steam, hot air, combi or cool down.
3. **TIME DISPLAY** – indicates cook time.
4. **TIME ARROW KEYS** – press to enter cook time from 00:00 to 99:59.
5. **TEMPERATURE DISPLAY** – gives cook temperature.
6. **HEAT LIGHT** – when lit indicates hot air or steam is in operation.
7. **TEMPERATURE ARROW KEYS** – press to enter cook temperature from 120–212°F (48–100°C) for steam and 140–500°F (60–260°C) for hot air/combi.
8. **STAGE ONE LED** – when lit indicates operation or programming of stage one for the current product. Cook cycles may contain one or two different stages.
9. **ACTUAL TEMP KEY** – press to display actual oven/steamer temperature
10. **STAGE TWO KEY** – press to enter stage two cook time and temperature.
11. **PRODUCT KEYS** – three programmable keys.
12. **MANUAL PRODUCT KEY** – default product key used for manual and programmed cooking.
13. **START KEY** – press to begin a timer count down.
14. **STOP KEY** – press to silence audible alarms and pause or cancel cook cycles.
15. **PROGRAM KEY** – press to enter programming mode and save programmed settings.
16. **STEAM ON DEMAND TIMER** – used to set steam time
17. **STEAM ON DEMAND SWITCH** – used to initiate steam injection cycle
18. **STEAM ON DEMAND LAMP** – illuminated when steam on demand is activated.
19. **FAN SPEED SWITCH** – used to select low or high speed.



20. **DELIME LAMP** – Flashes when steam generator deliming is needed. Remains steady when deliming process is active.

NOTE: B14G does not have a delime lamp.

21. **FILL LAMP** – illuminated until the steam generator is filled with water

NOTE: B14G does not have a fill lamp.

MANUAL OPERATION

1. Turn the SELECTOR SWITCH (2) to the desired mode. The LED above the manual key lights.
2. Press the TEMPERATURE ARROW KEYS (7) to set the stage one cook temperature.
3. Press the TIME ARROW KEYS (4) to set the stage one cook time.
4. Press the STAGE TWO KEY (10).

NOTE: Stage two can be used for either a hold mode or a second cook temperature. Example: Cook meats or poultry at a low temperature for maximum moisture retention, then set the second stage for browning. To use the second stage for holding, you must set an appropriate hold time for the unit to count down from.

NOTE: If stage two is not required enter a cook time of 00:00.

5. Press the TEMPERATURE ARROW KEYS (7) to set the stage two cook temperature.
6. Press the TIME ARROW KEYS (4) to set the stage two cook time.
7. Press the START KEY (13) to begin the cook cycle. The STAGE ONE LED (8) lights. The TIME DISPLAY (3) counts down the stage one cook time.

If stage two is selected an alarm sounds at the end of stage one. The time display counts down the stage two cook time.

8. When all cook stages are complete the TIME DISPLAY (3) flashes 00:00, the TEMPERA-

TURE DISPLAY (5) flashes 0 and an audible alarm sounds. Press the STOP KEY (14) to silence the alarm. The control maintains the stage one cook temperature.

9. Turn the SELECTOR SWITCH (2) to OFF to shut down the oven/steamer.

NOTE: Time and temperature settings may be changed at any time during manual operation. Press the time arrow keys to change the cook time. Press the temperature arrow keys to change the cook temperature.

PROGRAMMED OPERATION

NOTE: See page 29 for programming instructions.

1. Turn the SELECTOR SWITCH (2) to the desired mode.
2. Press the desired PRODUCT KEY (11). The LED above the selected key lights.
3. Press the START KEY (13) to begin the cook cycle. The STAGE ONE LED (8) lights. The TIME DISPLAY (3) counts down the stage one cook time.

NOTE: Press the STOP KEY (14) once to pause an active stage one cycle. Press the START KEY (13) to resume.

NOTE: Press the STOP KEY (14) twice to cancel an active stage one cycle.

4. An alarm sounds at the end of stage one The time display counts down the stage two cook time.

NOTE: Press the STOP KEY (14) once to cancel an active stage two cycle. Stage two cycles cannot be paused.

5. When all cook stages are complete, the TIME DISPLAY (3) flashes 00:00, the TEMPERATURE DISPLAY (5) flashes 0 and an audible alarm sounds. Press the STOP KEY (14) to silence the alarm. The control maintains the stage one cook temperature.



Operation

Optional Cook & Hold

STEAM ON DEMAND

How to set the Steam On Demand mode:

While in the Hot Air or Combi mode, the unit can be set to steam for a timed period. At the end of the timed cycle the unit reverts back to the original setting. Steam On Demand can be used at any time during the cook cycle.

NOTE: Steam On Demand is not available in steam mode.

1. Set the desired “steam on” time with the STEAM ON DEMAND TIMER (16).
2. Press the STEAM ON DEMAND SWITCH (17).

This feature is useful in many ways. A few are listed below. Most of the ideas came from our creative customers. Experiment with this feature on your own and let us know of any new uses.

- Add a minute or two at the beginning when baking bread for a shiny crust.
- Kick start large loads such as 20 or more chickens. By starting large loads with 5 to 8 minutes of steam you help the oven recover and cut the cooking time by more than 10%.
- Bake bagels without boiling. By starting raw bagels with 1 to 2 minutes of steam you can achieve a beautiful crust.
- Cream caramel is great at 230°F to 250°F in the Combi mode using 2 minutes of on demand steam.
- When cooking chicken wings, try setting the oven in the Combi mode at 375°F and use 3 minutes of Steam On Demand. This method will stop the tips from burning. Total cooking time is approximately 12 minutes.
- Pork ribs tend to pull off the bone better when using 5–8 minutes of Steam On Demand. Try ribs in the Combi mode at 350°F.



PROGRAMMING THE PRODUCT KEYS

NOTE: Each product key can hold two programs: one for steam and one for hot air/combi. Hot air programs can be used in combi.

1. Turn the SELECTOR SWITCH (2) to the desired mode.
2. Press the desired PRODUCT KEY (11).
3. Press and hold the PROGRAM KEY (15) for five seconds. The control beeps. The product key LED and STAGE ONE LED (8) light.
4. Press the TEMPERATURE ARROW KEYS (7) to set the stage one cook temperature.
5. Press the TIME ARROW KEYS (4) to set the stage one cook time.
6. Press the STAGE TWO KEY (10).

NOTE: Stage two can be used for either a hold mode or a second cook temperature. Example: Cook meats or poultry at a low temperature for maximum moisture retention, then set the second stage for browning. To use the second stage for holding, you must set an appropriate hold time for the unit to count down from.

NOTE: If stage two is not required enter a cook time of 00:00.

7. Press the TEMPERATURE ARROW KEYS (7) to set the stage two cook temperature.
8. Press the TIME ARROW KEYS (4) to set the stage two cook time.
9. Press and hold the PROGRAM KEY (15) to save the program settings.

PROGRAMMING THE MANUAL KEY

NOTE: The manual key may be used for manual cooking and programmed for two products, one for steam and one for hot air/combi. Hot air programs can be used in combi.

1. Turn the SELECTOR SWITCH (2) to the desired mode.
2. Press the MANUAL KEY (12). The LED above the manual key lights.
3. Press the TEMPERATURE ARROW KEYS (7) to set the stage one cook temperature.
4. Press the TIME ARROW KEYS (4) to set the stage one cook time.
5. Press the STAGE TWO KEY (10).

NOTE: Stage two can be used for either a hold mode or a second cook temperature. Example: Cook meats or poultry at a low temperature for maximum moisture retention, then set the second stage for browning. To use the second stage for holding, you must set an appropriate hold time for the unit to count down from.

NOTE: If stage two is not required enter a cook time of 00:00.

6. Press the TEMPERATURE ARROW KEYS (7) to set the stage two cook temperature.
7. Press the TIME ARROW KEYS (4) to set the stage two cook time.
8. Press and hold the PROGRAM KEY (15) to save the program settings.

NOTE: Time and temperature settings may be changed at any time during operation of a programmed manual key. Press the time arrow keys to change the cook time. Press the temperature arrow keys to change the cook temperature.



Operation

Optional Meat Probe

CONTROLS IDENTIFICATION

1. MEAT PROBE SWITCH

Controls power to the meat probe.

2. MEAT PROBE CONTROL

Use to set the desired probe temperature. Indicates the actual temperature of the product

3. MEAT PROBE CONNECTOR

Receptacle for the plug in meat probe.

NOTE: For sanitation it is recommended that the meat probe remain plugged into the front panel receptacle at all times.

OPERATION

Measuring the product core temperatures during long roasting periods is very practical. It is especially important for products such as Roast Beef to reach a specific internal temperature.

Place the probe through to the middle of the product's thickest section. Be sure the probe does not touch any bone and the tip is not in a fat pocket. These conditions can cause inaccurate readings.

1. Set the MODE SELECTOR Switch to the desired function.

2. Turn the MEAT PROBE Switch (1) to ON.

3. To set the desired core temperature press the blue SET BUTTON (4) on the MEAT PROBE CONTROL (2).

Use the up arrow key (6) to increase the set-point temperature. Use the down arrow key (5) to decrease the setpoint temperature.

Press the set button again to store the set-point.

4. Set the TIMER to STAY ON. The cooking process runs automatically.

When the selected core temperature is reached, the buzzer will sound and the appliance shuts off automatically.

The temperature and mode can be changed at any time during the process.

5. Shut the appliance off by setting the mode switch to OFF.

NOTE: When setting the internal temperature, be sure to allow for carry-over cooking after the roast is removed from the oven.

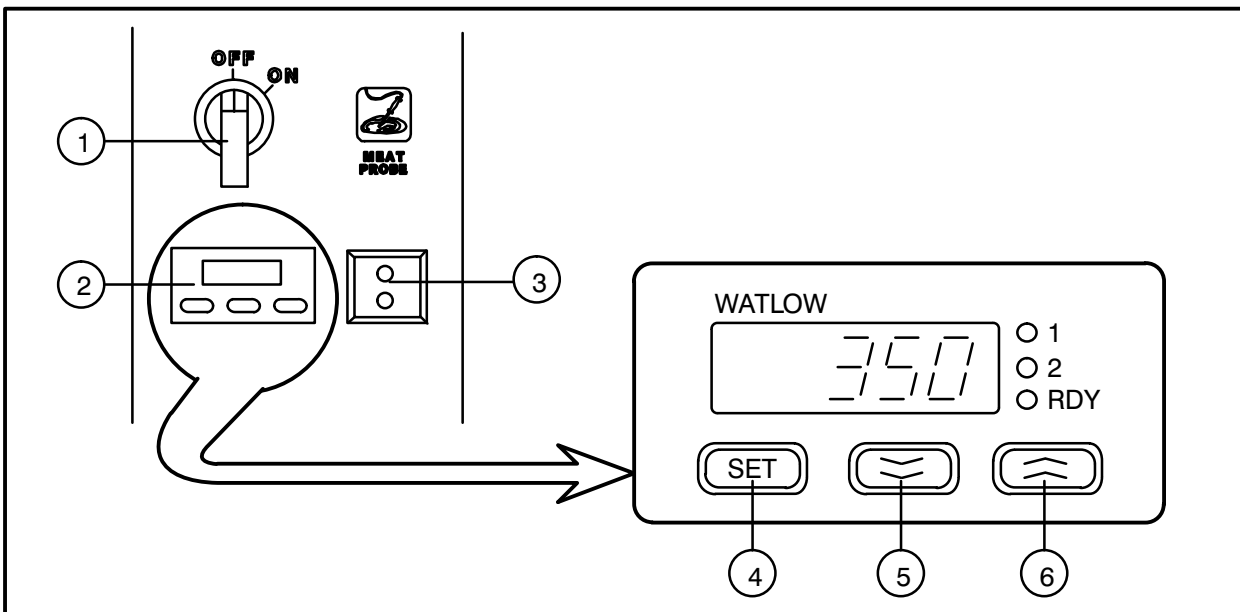


Figure 15



Spray Bottle Operating Procedure

NOTE: Only use a commercial oven cleaner/degreaser with the spray bottle. DO NOT use chemicals that are not intended as oven cleaners. See chemical manufacturer's information for intended use.

1. Unscrew the sprayer head and fill the container to the MAX mark. Screw the head assembly on firmly to ensure an airtight seal. The liquid must be clean and free from foreign matter. Do not overfill - space must be left for compressing air.
2. To build up pressure, pump approximately 20 full strokes when the container is filled with liquid. The higher the pressure, the finer the spray. If the container is only partially filled, then more pumping is required to compress the additional air space.
3. To spray, depress the trigger with your thumb.
4. Adjust spray nozzle for a wide spray pattern.
5. After a period of spraying, the pressure will drop. Restore the pressure by operating the air pump.
6. Release pressure after use by inverting the spray head and depressing the trigger or by slowly unscrewing the spray head assembly which will allow air to escape from around the filling aperture.
7. After use, rinse the spray bottle with clean water and check that the hole in the nozzle is perfectly clean and clear. Warm water (not hot) used with a household detergent is a useful cleaning agent for this purpose.

NOTE: Further information can be found in the instruction leaflet supplied with your spray bottle.



WARNING!!

Protective clothing and eyewear should be worn while using cleaning agents.

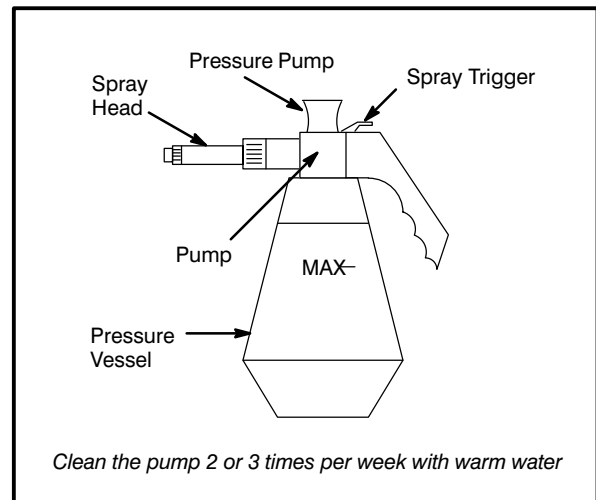


Figure 16

Complete Spray Bottle – P/N R0006
Spray Head Repair Kit – P/N R6332



Maintenance

Cleaning and Preventive Maintenance

CLEANING THE INTERIOR

Daily Cleaning

Daily cleaning of the appliance is essential for sanitation, and to ensure against operational difficulties. The stainless steel cavity may corrode with improper cleaning of the oven. Use an oven cleaning detergent in conjunction with the supplied spray bottle.

For difficult cleaning, allow the spray-on oven cleaner to work longer before rinsing.

1. **Cool the appliance down** to 140°F (60°C) or, if the oven has been idle, turn the steam mode on for 3 to 4 minutes in order to warm the cavity surfaces.
2. Fill the spray bottle and pump air into the container with the pressure pump.
3. Spray the interior of the oven with a cleaning solution. Be certain to spray cleaner through the fan guard to cover all surfaces.

NOTE: Never spray water into the appliance when the temperature is above 212°F (100°C).

4. Let the cleaner work the time recommended by the cleaning solution manufacturer. For difficult, baked on grease, etc. allow to work over night.
5. Set the timer for 15 to 20 minutes.
6. Set the mode selector switch to Steam. This will soften all burned on residue.
7. Rinse the appliance interior with water (a hose is supplied, but take care that only the interior cavity is sprayed with water). Wipe the interior dry after rinsing.
8. The door should be kept slightly open after cleaning. This will allow the oven to vent and increase the life of the door gasket.

On stainless interiors, deposits of baked on splatter, oil, grease or light discoloration may be removed with a good non toxic industrial stainless steel cleaner. Apply cleaners when the oven is cold and always rub with the grain of the metal. The racks, rack supports and the blower wheel may be cleaned in the oven or by removing them from the oven and soaking them in a solution of ammonia and water.

NOTE: DO NOT use corrosive cleaners not intended for oven cleaning on your Combi oven.

Recommended cleaners:

- a.) ECOLAB Greasecutter Plus
- b.) CELLO EZ Clean
- c.) Diversey-Lever Advance Oven Cleaner

B14G Boilerless Oven Weekly Cleaning

In addition to the daily cleaning, it is necessary to clean behind the fan guard of this oven on a weekly basis. This is necessary for proper functioning of the oven. Scale will build up on the fan and heat exchangers leading to a less efficient oven.

1. Turn off the oven. Make sure that the oven is cooled down to 140°F (60°C).
2. Remove the two screws on the left side of the fan guard.



Figure 17

3. Swing the fan guard out.



Figure 18



Cleaning and Preventive Maintenance

4. Thoroughly spray cleaner onto the fan, heat exchanger tubes and backside of the fan guard. Close the door to allow the cleaner to work.



Figure 19

5. After ten minutes, rinse the cleaner off. Return the fan guard to the closed position. Insert the two screws to secure the fan guard.

Remove and clean the blower wheel every 6 months.

B14G Boilerless “CLEAN OVEN” Light

The “CLEAN OVEN” light informs the user that the oven has been in use for a preprogrammed period of time and now needs to be cleaned. It is necessary to clean the interior thoroughly because of the water minerals that will accumulate. Proper cleaning will extend the life of your oven.

Once the oven interior has been cleaned the “CLEAN OVEN” light must be reset. To reset the light:

1. Place the oven in STEAM mode.
2. Press and hold the STEAM ON DEMAND button until the light flashes quickly.
3. When the light stops flashing, let go of the button.
4. The oven has reset and will begin counting the time until the next cleaning.

CLEANING THE EXTERIOR

The exterior of the appliance may be cleaned and kept in good condition with a light oil. Saturate a cloth and wipe the appliance when it is cold; wipe dry with a clean cloth.



WARNING!!

DO NOT spray the outside of the appliance with water or clean with a water jet. Cleaning with a water jet can impregnate chlorides into the stainless steel, causing the onset of corrosion.

PREVENTIVE MAINTENANCE

The best preventive maintenance measures are the proper initial installation of the equipment and a program for cleaning the appliance routinely. The Oven/Steamer requires no lubrication. Contact the factory, the factory representative or a local Blodgett Combi service company to perform maintenance and repairs should they be required.



Maintenance

Deliming

NOTE: The following procedures apply to models BC14E and BC14G only.



WARNING!!

Deliming solutions are hazardous and can cause burns to the skin and eyes. Wear protective clothing and eyewear when decalcifying your appliance.

Deliming of the steam generator is the single most important preventative maintenance task. Lime will build up inside the steam generator, reducing efficiency and causing damage to the level control system.



WARNING!!

Problems caused by insufficient deliming are not covered by the warranty.

This oven comes equipped with a Delime lamp to indicate when the steam generator needs to be

delimed. The Delime lamp will flash when the steam generator has been run for the preset interval. The flashing Delime lamp does not impede the operation of the oven, as you can use the oven normally when the lamp is flashing. You may choose the best time to start the deliming process.

NOTE: To further prevent buildup of scale, this oven will automatically drain the steam generator after 5 hours of being in the off mode.



WARNING!!

The oven must be placed in cool down mode for 1 minute with the door open prior to starting the deliming process. Once the process has been started, the oven cannot be used until the process is complete. The total process time is approximately 45 minutes.



Deliming

NOTE: The following procedures apply to models BC14E and BC14G only.

DELIMING WITHOUT OPTIONAL ELECTRIC DELIMING PUMP

NOTE: The Delime lamp must be flashing to start this process.

1. Be sure the delime solution reservoir is filled with **non-diluted** deliming agent such as "Lime Away" by Eco-Labs or "Lime Out", by US Chemical.
2. Remove the cap from the appliance. Attach the pump hose end to the delimiting port. See Figure 20.
3. Pump in the delimiting agent into the appliance by pulling up fully then pushing down on the pump handle. Each up then down action equals (1) One pump. Use the following table.

Model	Ounces (pump)
BC14E	16 ounces (1 pump)
BC14G	16 ounces (1 pump)

4. Be sure the door is open.
5. Turn the oven into **Cool Down** mode. Press and release the **On Demand Steam button**. The Delime lamp will flash faster, acknowledging the action.
6. Turn the oven to the OFF mode.

The remainder of the procedure is automatic. The Delime lamp will stay illuminated while the process is active. When the process is completed, the Delime lamp will turn off indicating the appliance can now be used normally.

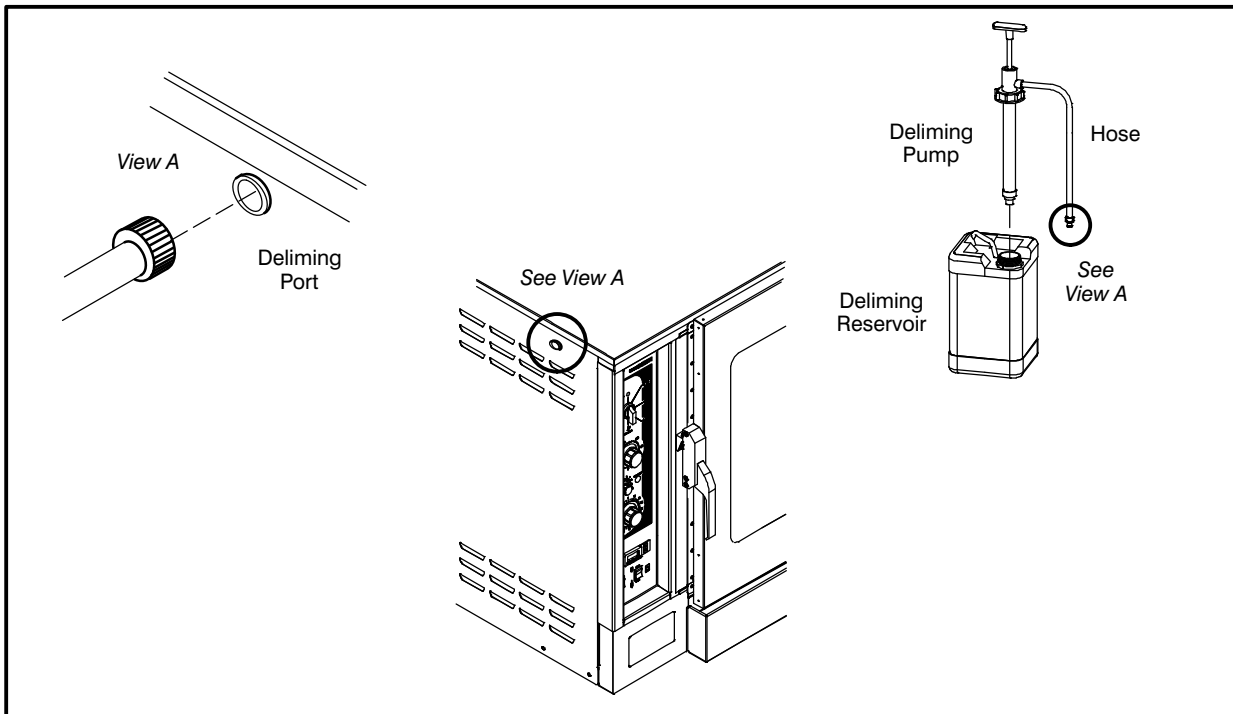


Figure 20



Maintenance

Deliming



WARNING!!

If the oven is hot, it must be placed in the cool down mode for 1 minute with the door open prior to starting the delimiting process. Once the process has been started, the oven cannot be used until the process is complete. The total process time is approximately 45 minutes.

DELIMITING PUMP INSTALLATION

1. Attach the pump mounting bracket to the back of the oven using four #10-24 screws and lockwashers. If there is a stack of two ovens, attach the bracket to the bottom oven.
2. Attach the pump(s) to the bracket. Align the two rectangular holes in the pump box with two tabs on the mounting bracket. Slide the pump down to engage the tabs and holes. It may be necessary to pry the tabs slightly open with a screwdriver in order for the boxes to engage them. Fasten the bottom of each pump to the bracket with two #10–24 screws and lockwashers.
3. Place the delimiting fluid reservoir in its location relative to the pump, as close as possible, and measure the length of tubing required to reach from the pump inlet to the bottom of the reservoir. Cut this much tubing from the length supplied and attach it to the pump inlet tubing with a barbed fitting and hose clamps. Repeat for the second pump if required.

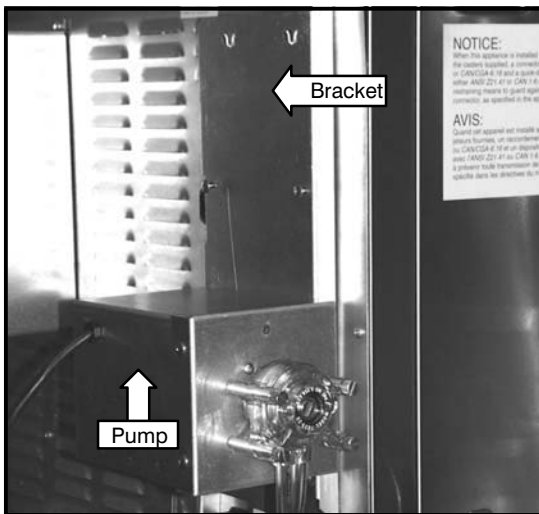


Figure 21



Figure 22



Deliming

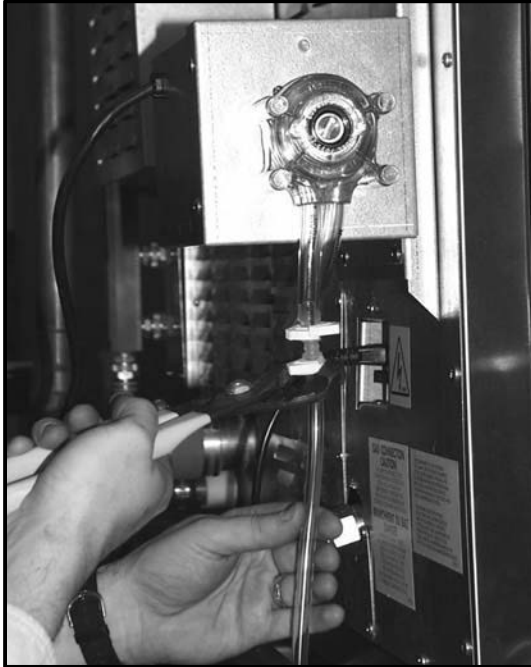


Figure 23

4. Unscrew the inlet plug from the back of the oven. Install the threaded/barbed fitting in the oven inlet.

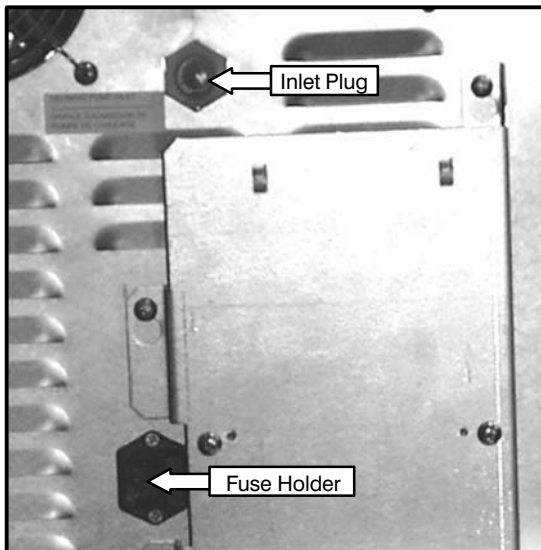


Figure 24

5. Attach one end of the tubing supplied to the pump outlet with a barbed fitting and hose clamps. Route the tubing to the oven inlet in such a way as to prevent contact with hot surfaces, such as the oven flue. Cut the tubing to length and attach it to the inlet fitting with a hose clamp. Secure it to the oven using cable clamps supplied. Repeat steps 3 and 4 for the second oven if required.



Figure 25

6. Remove the fuseholder from the power outlet on the back of the oven(s). Insert the fuses provided. Reinstall the fuseholder. Plug the power cord from each pump into the outlet on the back of each oven. Be sure to plug each pump into the same oven where its tubing is connected.

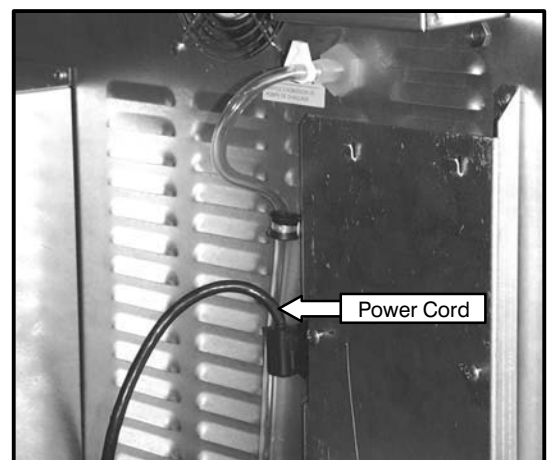


Figure 26



Maintenance

Deliming

7. Fill the solution reservoir with a non-diluted delimiting agent such as Lime-Away by Eco-Labs or Lime-Out by US Chemical.
8. Prime the delivery line by turning the oven into **COOL DOWN** mode and depressing and holding the **On Demand Steam** button. Release the button once the fluid has traveled through the line and has reached the rear of the oven.

DELIMITING WITH OPTIONAL DELIMITING PUMP

NOTE: The following procedures apply to models BC14E and BC14G only.

NOTE: The Delime lamp must be flashing to start this process.

1. Be sure the container delivering the delimiting agent to the appliance is full.
2. Be sure the door is open.
3. Turn the oven into **Cool Down** mode. Press and release the **On Demand Steam** button. The Delime lamp will flash faster, acknowledging the action.
4. Turn the oven to the OFF mode.
5. The remainder of the procedure is automatic. The Delime lamp will stay illuminated while the process is active. When the process is completed, the Delime lamp will turn off indicating the appliance can now be used normally.

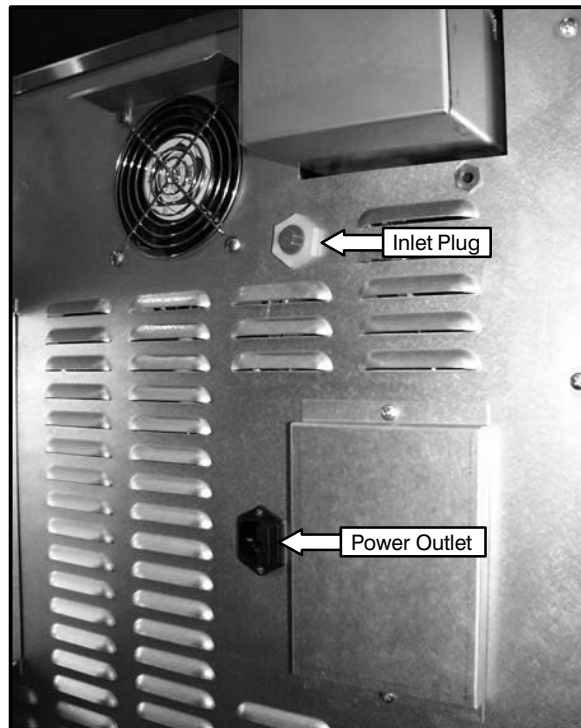


Figure 27



DELIMING INTERVAL SETTING

Refer to Figure 28 to determine the correct deliming interval for your appliance. Find your location and the corresponding potentiometer setting. These values are general and are guidelines only. Your specific water quality may be harder or softer. Adjust the deliming interval to your specific water quality.

NOTE: If you have the oven connected to a filter system, the water hardness may be reduced. Check with filter supplier for details.

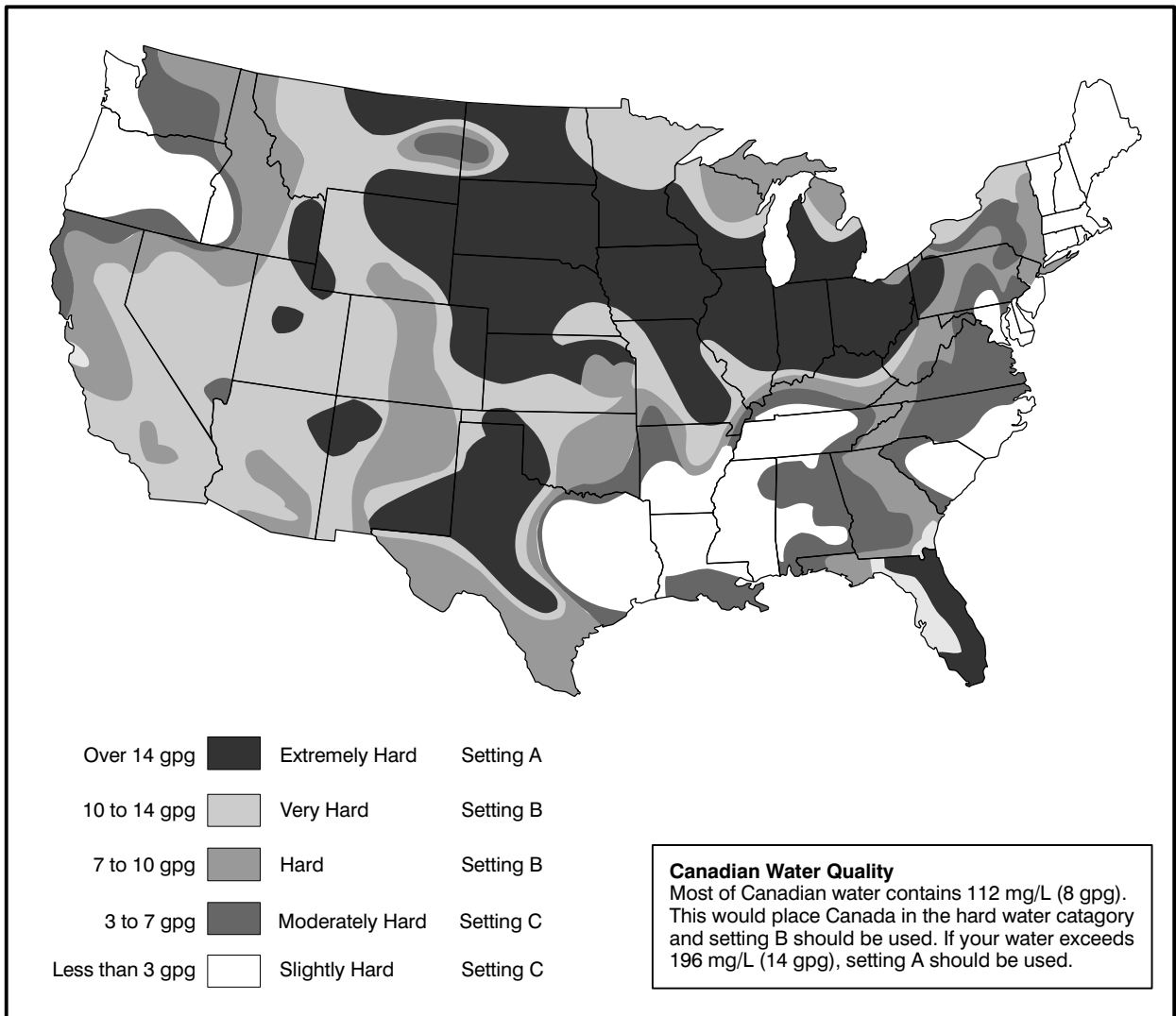


Figure 28



Maintenance

Delimiting

To set the delimiting interval:

1. Remove power from the appliance.
2. Remove the two screws located on the side panel. Slide the control module forward. See Figure 29.
3. Turn the potentiometer to the required setting. See Figure 30.
4. Slide the control back in, replace the two screws.
5. Apply power to the appliance.

A PC may be connected at power up of the appliance to verify the potentiometer setting. The “Delimiting interval is x hour(s) of steam generator run time.” Status line will show 30, 60 or 90. Refer to Figure 32 on page 41.

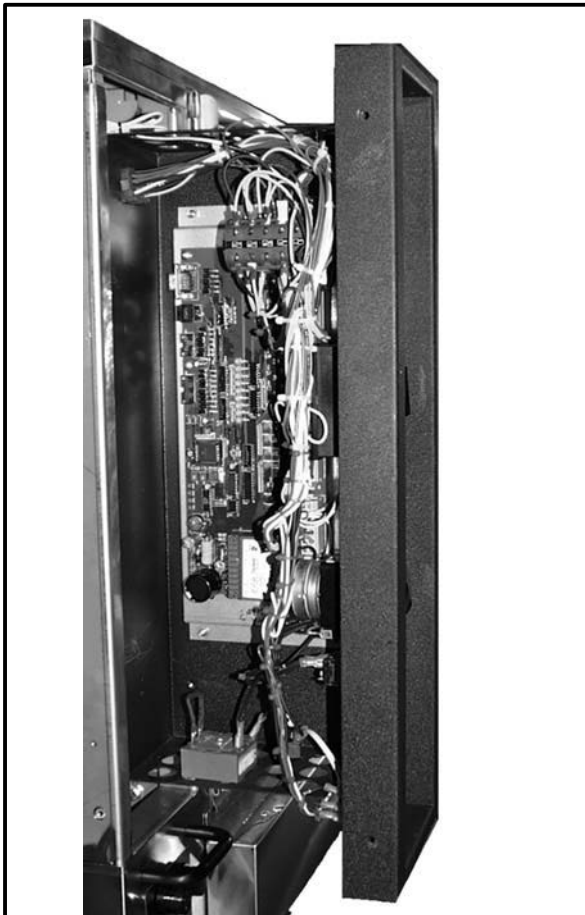


Figure 29

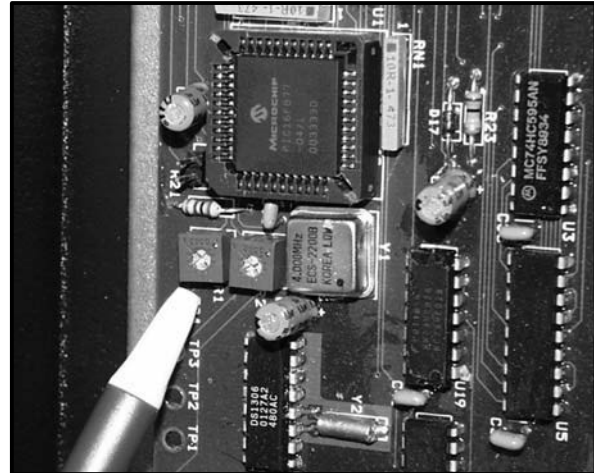


Figure 30

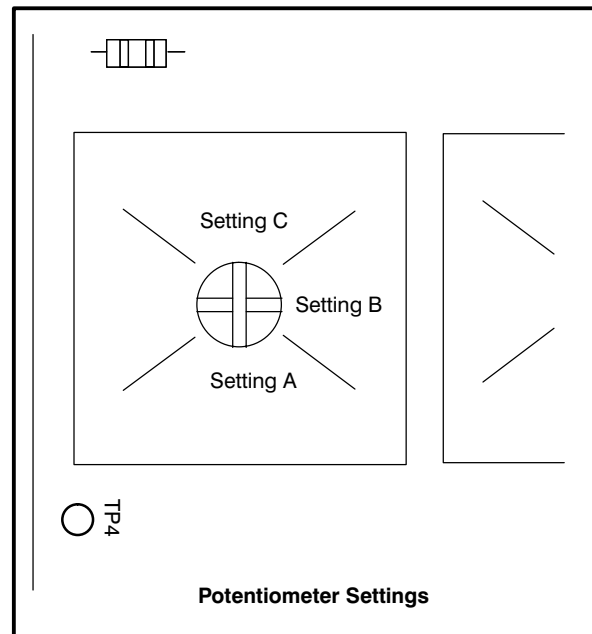


Figure 31



The oven is equipped with a serial RS-232 communication port located inside the control panel. A laptop computer can be used to view informa-

tion regarding certain parameters of the appliance including delimiting history. A typical screen shot is shown below.

```

Software (c) 2002 Blodgett
Blodgett Combi BC-2 Control

ROM Saved Data
=====
Version -> 3
Model -> 0
Startup Date-> 25
Startup Month -> 6
Startup Year -> 2
Low Volt -> 37
High Volt -> 80
Steam Time(sec) -> 16384
SD Time(sec) -> 457
CNV Time(sec) -> 239087
Combi Time(sec)-> 71870
Heat DMD events -> 0378956
Current time -> 11h : 22m : 10s
Current date -> 26 day 6 month 2 year
Total delimiting events -> 3
Steam has been run -> 21 hour(s) 52 min(s) 8 sec(s) since last delimiting.
Next delimiting in approximately 3 hour(s) of Steam Generator run time.
Delimiting interval is 24 hour(s) of Steam Generator run time.

Delimiting History
=====
Last address 5 and state 0
Event no. 1 on 25 day 5 month 2 year
Event no. 2 on 23 day 6 month 2 year
Event no. 3 on 21 day 7 month 2 year
Event no. 4 on 0 day 0 month 0 year
Event no. 5 on 0 day 0 month 0 year

Explanation of output

Version - Software version.
Model - 1= Gas oven, 0 = Electric oven.
Startup Date, Month, Year - Date oven was started up.
Low Volt, High Volt - Power supply fluctuations.
Steam Time - Time in second's oven has used Steam Mode.
SD Time - Time in second's oven has used in On Demand Steam mode.
CNV Time - Time in second's oven has used Hot Air Mode.
Combi Time - Time in second's oven has used in Combi Mode.
Heat DMD events - Total number of heat demand events.
Current time, Current date - Current date and time.
Total delimiting events - Total number of times oven has been delimited.
Steam has been run -> - How long steam generator has been run since last delimiting.
Next delimiting.. - Approximately next time steam generator will need a delimiting.
Delimiting interval .. - Hours the steam generator will run between delimiting events.
Delimiting History - The last 52 events will be printed out. If an event has not occurred, a 0 will be used. Last address and state are used to record the last delimiting state in case of power fail during the process. Normally, state should be 0.
    
```

Figure 32



Maintenance

Communication

To connect to the oven using a Laptop computer (Microsoft Windows OS)

1. Disconnect the appliance from the power source.
2. Remove (2) screws and slide the control panel forward. See Figure 33.
3. Boot up the computer.
4. Attach a standard serial cable to the laptop computer's serial port, and to the 9 pin serial port located on the PCB in the control area. See Figure 34.
5. Start a communication program such as "Hyperterminal" by selecting Start->Programs->Accessories->Hyperterminal->HyperTerminal.
6. Enter a name for the connection, and select an icon, select OK.
7. Click on "Connect Using" and select the desired COM port used by the serial cable. Select OK.
8. Set the following parameters, then click OK.
 - d.) Bits per second **9600**
 - e.) Data bits **8**
 - f.) Parity **none**
 - g.) Stop bits **1**
 - h.) Flow Control **None**

To view data:

To view the output data, the appliance must be disconnected from the power source for 10 seconds, then power must be re-applied. The data will then be outputted to the terminal window. Data is also outputted during the delimiting process. Each state is written to the screen, with the amount of seconds left in the current state being counted down.

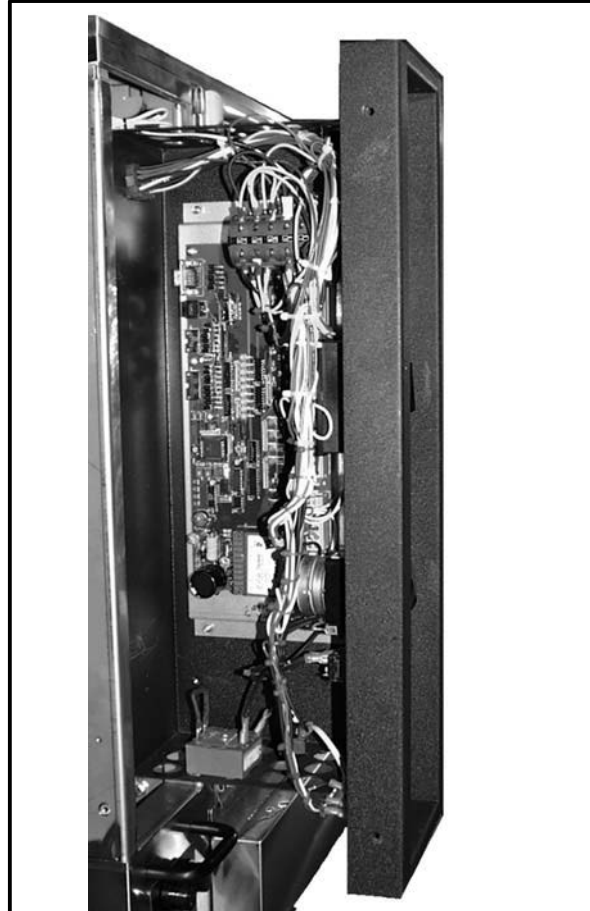


Figure 33

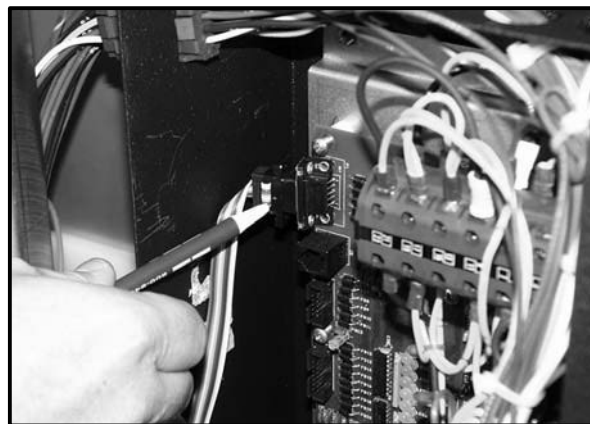


Figure 34

BC14E, BC14G et B14G
Combi-Four/Étuve à Vapeur
Manuel D'Installation – Fonctionnement – Entretien



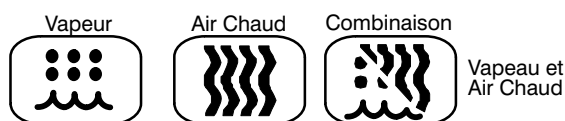
Introduction

Le four-éleveur Combi de Blodgett

Le four-éleveur Combi de Blodgett propose une toute nouvelle manière de cuire les aliments. Avec le four-éleveur Combi, vous pouvez choisir entre **deux modes de cuisson** : à la **vapeur** et à l'**air chaud**, soit...

- **séparément**
- **combiné, ou**
- **en séquence**

En outre, trois modes de fonctionnement faciles s'offrent à vous :



En mode **Steam** (vapeur), vous pouvez :

étuver	réchauffer	reconstituer
bouillir	décongeler	mijoter
blanchir	conserver	braiser
pocher		

En mode **Hot Air** (air chaud), vous pouvez :

rôtir	cuire du pain et des gâteaux
griller	gratiner

En mode **Combi** (combinaison de vapeur et d'air chaud), vous pouvez :

décongeler	rôtir	réchauffer
étuver	cuire du pain et des gâteaux	

De plus, vous pouvez utiliser deux ou trois fonctions de manière séquentielle au cours d'une même cuisson. Nous appelons cette méthode :

- étuvage combiné
- rôtissage combiné
- cuisson de pain combinée

La circulation de l'air chaud combinée avec la vapeur du four-éleveur Combi à haute performance assure des améliorations à plusieurs niveaux :

- productivité accrue dans la cuisine
- diminution des dépenses liées au remplacement des appareils de cuisine
- un choix de menus plus vaste
- un nettoyage simplifié

Le travail est simplifié puisque les aliments sont préparés sur des plateaux ou dans des récipients de la table à vapeur. Vous pouvez cuire, stocker et transporter les aliments dans ces mêmes récipients. Vous pouvez préparer avec efficacité de petites quantités d'aliments de même que réchauffer les plats cuisinés et les aliments prêts-à-servir en quelques minutes seulement. Il devient possible aussi de préparer certains aliments surgelés sans même les décongeler. Cette souplesse au niveau de la préparation réduit l'utilisation de chaudrons et de tables à vapeur puisqu'il n'est plus nécessaire de conserver au chaud de grandes quantités d'aliments pendant de longues périodes.

De nos jours, il devient de plus en plus important d'améliorer la qualité des aliments. Avec le four-éleveur Combi de Blodgett, la cuisson des légumes se fait sans eau et à une température optimale légèrement inférieure à 100°C (212°F), permettant ainsi de conserver les vitamines, les minéraux, les éléments nutritifs et les oligo-éléments. La viande cuite dans le Combi perd moins de sa masse et demeure plus ferme et plus juteuse. Vous utiliserez aussi le four-éleveur Combi davantage pour les produits de la boulangerie, car les modes Steam (vapeur) et Hot Air (air chaud) du four-éleveur Combi en font un appareil de cuisson tout usage.



Description du four-éleveur Combi

À PROPOS DU FOUR-ÉLEVEUR

Les fours-éleveurs Combi de Blodgett sont des appareils haut de gamme fabriqués en acier inoxydable de première qualité en faisant appel à des procédés supérieurs.

Le ventilateur à deux vitesses est doté d'un dispositif de protection pour les doigts et alimenté par un puissant moteur silencieux. Le condenseur aspire l'excès de vapeur de l'appareil. La condensation et les eaux usées générées par la vapeur et le nettoyage sont continuellement évacuées.

L'isolant de haute qualité empêche un rayonnement thermique excessif et aide à conserver l'énergie.

En option, des pieds réglables et des supports permettent d'adapter le four-éleveur Combi aux surfaces inégales et à tous les modèles de table.

BC14E et BC14G seulement

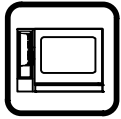
Le générateur de vapeur fraîche haute performance comporte un système de commande qui vous permet de profiter de tous les avantages d'un éleveur de haute qualité au simple actionnement d'un bouton. La vapeur fraîche entre dans la cavité du four sans pression et y circule à haute vitesse. Cette méthode simple et pratique favorise une cuisson rapide et en douceur qui vous procure des aliments de première qualité. Le générateur de vapeur est complètement automatique et il est doté d'un dispositif qui l'empêche de fonctionner à sec.

FONCTIONNEMENT DU FOUR-ÉLEVEUR COMBI

La porte pratique du four est dotée d'un hublot et possède un grand rayon d'ouverture. La poignée de la porte est facile à saisir, même avec des mains mouillées ou grasses.

La disposition simple des commandes facilite l'utilisation de l'appareil. Même un cuisinier inexpérimenté peut facilement utiliser l'appareil grâce à un système de pictogrammes explicites. Un sélecteur permet de passer facilement d'un mode de cuisson à l'autre, soit Steam (vapeur), Hot Air (air chaud) ou Combi (combinaison). La fonction de vapeur sur demande permet à l'opérateur d'injecter de la vapeur pendant 8 minutes lorsque l'appareil se trouve dans les modes d'air chaud ou de combinaison. Cette fonction est très utile pour la cuisson de pains et de gâteaux et le rôtissage. La quatrième fonction du sélecteur, le mode Cool Down (refroidissement), permet de refroidir rapidement la cavité du four lorsque la porte est ouverte.

L'appareil exige un nettoyage minime. L'intérieur est vaporisé d'une solution nettoyante à action instantanée qui réagit avec la vapeur pour éliminer les croûtes et les taches. La conception du four-éleveur Combi assure un entretien facile. Les soudures sont étanches à l'eau, ce qui permet de rincer la cavité du four après le nettoyage à la vapeur.



Introduction

Fonctionnalités du four

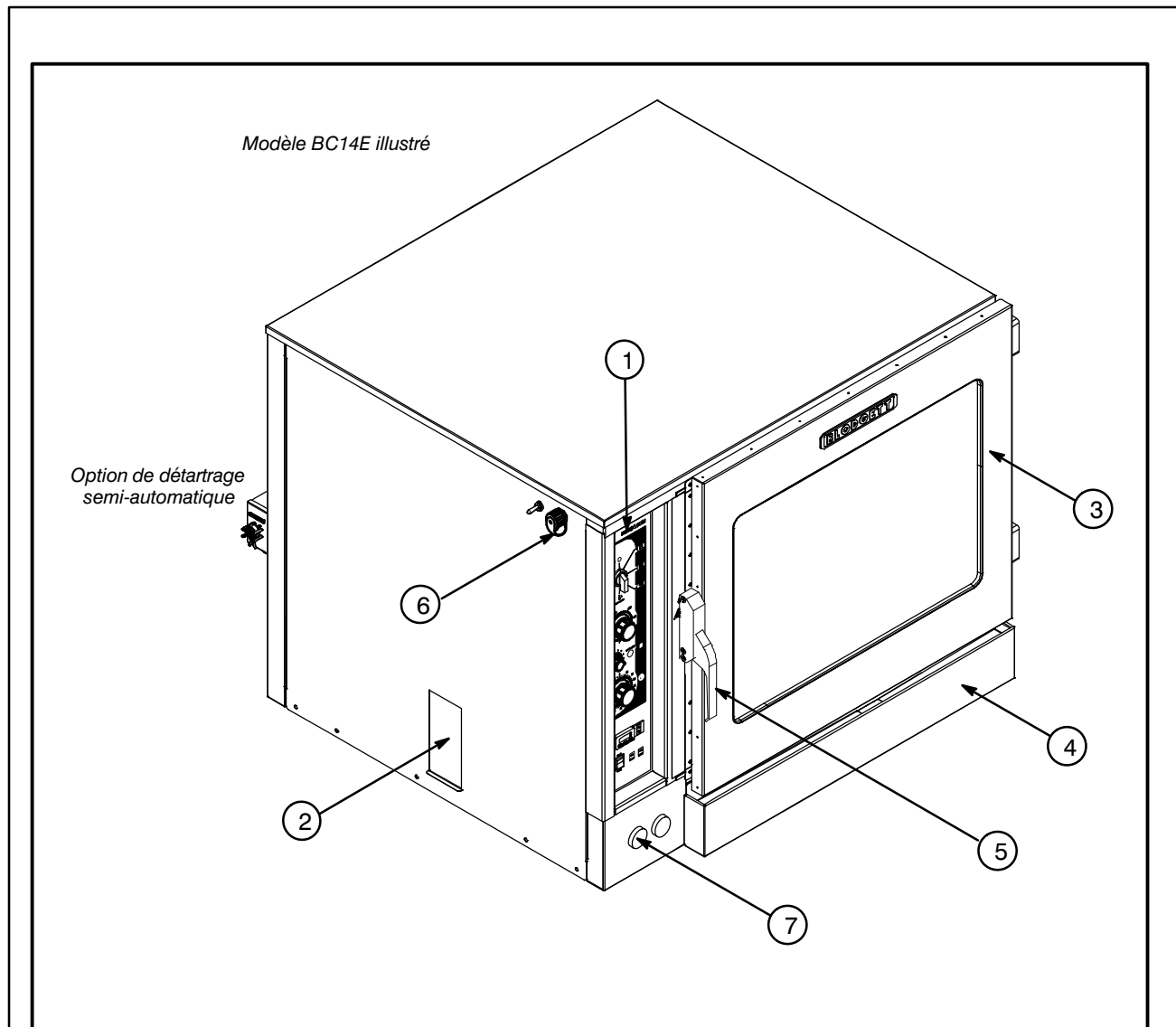


Figure 1

- | | | | |
|---|---|---|---|
| 1 | Panneau de commande | 6 | Orifice de détartrage
(BC14E et BC14G seulement) |
| 2 | Prise d'alimentation
(BC14E seulement) | 7 | Fusibles
(BC14E seulement) |
| 3 | Porte du four | | Fermeture du gaz
(BC14G seulement) |
| 4 | Bac d'égouttage | | |
| 5 | Poignée | | |



LES PRÉSENTES CONSIGNES D'INSTALLATION SONT DESTINÉES AU PERSONNEL D'INSTALLATION ET D'ENTRETIEN QUALIFIÉ SEULEMENT. TOUTE INSTALLATION OU TOUT ENTRETIEN EFFECTUÉ PAR DES PERSONNES NON COMPÉTENTES POURRAIENT ENDOMMAGER LE FOUR OU CAUSER DES BLESSURES.

Le terme personnel d'installation qualifié désigne une personne, une entreprise, une société ou une organisation assumant, elle-même ou par l'entremise d'un représentant, les responsabilités suivantes :

- la pose ou le remplacement des tuyaux de gaz. Le raccordement, la mise en service, la réparation ou l'entretien du matériel.
- La pose du câblage électrique à partir du compteur, de la boîte de distribution principale ou de la prise jusqu'à l'appareil.

Le personnel qualifié doit détenir de l'expérience dans ces domaines, connaître toutes les mesures de sécurité pertinentes et respecter les normes de la province ou des autorités locales.

Mises en service américaines et canadiennes

La mise en service doit respecter les normes locales ou, en l'absence de tels normes, les règlements suivants : *National Fuel Gas Code, NFPA54/ANSI Z223.1 – dernière édition, le Code d'installation du gaz naturel CAN/CGA-B149.1* ou le *Code d'installation du propane, CAN/CGA-B149.2*, selon le cas.

Référence : *National Electrical Code, ANSI/NFPA 70 – dernière édition* ou le *Code canadien de l'électricité CSA C22.1*, selon le cas.

La mise en service de ce matériel doit respecter les normes suivantes : *Basic Plumbing Code of the Building Officials and Code Administrators International Inc. (BOCA)* et *Food Service Sanitation Manual du Food and Drug Administration (FDA)*.

Mise en service dans les autres pays

L'installation doit respecter les normes nationales et locales, qui varient selon le pays. Si vous avez des questions sur les méthodes d'installation acceptables ou sur le fonctionnement de votre appareil, veuillez communiquer avec votre détaillant. S'il n'y a aucun détaillant dans votre région, veuillez communiquer avec Blodgett Combi au 0011-802-860-3700.





Installation

Responsabilités du propriétaire

Responsabilités de l'installation avant l'inspection de mise en service

Vous avez droit à une inspection de mise en service gratuite effectuée dès que possible par notre représentant. Avant que cette personne se présente pour effectuer la mise en service, vous devez vous assurer de satisfaire déjà aux exigences suivantes :

1. Le four est déballé, empilé (s'il y a lieu) et mis en place.

REMARQUE: Veuillez consulter la section Montage des pieds et Superposition.

Charges maximales sur une tablette – 27.3 kg (60lb)

SPÉCIFICATIONS DE PLOMBERIE – BC14E/AA, BC14G/AA et BC14G/AB	
Eau	
Pression d'eau	30 lb/po2 (207 kPa) minimum 50 lb/po2 (345 kPa) maximum
Raccordement d'eau	Boyau d'eau chaude et froide 3/4 po
Réglage du régulateur d'eau	BC-14E/G – Prérégler à 30 lb/po2 (207 kPa) B-14G – Prérégler à 3 lb/po2 (21 kPa)
Conditions requises minimum	Total des solides en suspension (TDS) – doit être moins que 100 parties par million Dureté totale de l'eau – 80-120 parties par million Chlorides – doit être moins que 30 parties par million Le pH de l'eau – 7.0-8.0
Drainage	Drain de mise à l'air libre
Raccordement du drain	Cuivre 50,8 mm (2,00 po)
Température moyenne de l'eau au drainage	Environ 71°C (160°F)



Responsabilités du propriétaire

CARACTÉRISTIQUES TECHNIQUES – APPAREILS AU GAZ – BC14G/AA					
Type de gaz	Entrée	Tension	Phase	Intensité	Moteur
Installations canadiennes et américaines					
Naturel	Vapeur – 55 000 BTU/h	208-240	1	15	1/2 HP 208-240 V c.a., 50/60 Hz
	Air chaud – 65 000 BTU/h Total – 115 000 BTU/h	120	1	15	1/2 HP 208-240 V c.a., 50/60 Hz
Propane	Vapeur – 48 000 BTU/h	208-240	1	15	1/2 HP 208-240 V c.a., 50/60 Hz
	Air chaud – 65 000 BTU/h Total – 113 000 BTU/h	120	1	15	1/2 HP 208-240 V c.a., 50/60 Hz
Connecteur de 3/4 po FNPT pour toutes les installations canadiennes et américaines					

CARACTÉRISTIQUES TECHNIQUES – APPAREILS AU GAZ – BC14G/AB					
Type de gaz	Entrée	Tension	Phase	Intensité	Moteur
Installations canadiennes et américaines					
Naturel	65 000 BTU/h	120	1	15	1/2 HP 208-240 V c.a., 50/60 Hz
Propane	65 000 BTU/h	120	1	15	1/2 HP 208-240 V c.a., 50/60 Hz
Connecteur de 3/4 po FNPT pour toutes les installations canadiennes et américaines					



Installation

Responsabilités du propriétaire

CARACTÉRISTIQUES TECHNIQUES – APPAREILS ÉLECTRIQUES – BC14E/AA						
Tension	Fréquence	Phase	Charge maximale (ampères)			Moteur
			L1	L2	L3	
208	60	1	89	89	–	1/2 HP 208-240 V c.a., 50/60 Hz
208	60	3	52	52	52	1/2 HP 208-240 V c.a., 50/60 Hz
240	60	1	82	82	–	1/2 HP 208-240 V c.a., 50/60 Hz
240	60	3	47	47	47	1/2 HP 208-240 V c.a., 50/60 Hz
480	60	3	23	23	23	1/2 HP 208-240 V c.a., 50/60 Hz
380/220	50	3	25	25	25	1/2 HP 208-240 V c.a., 50/60 Hz
415/240	50	3	27	27	27	1/2 HP 208-240 V c.a., 50/60 Hz
400/230	50	3	26	26	26	1/2 HP 208-240 V c.a., 50/60 Hz



Emplacement du four et mise de niveau et Ventilation

EMPLACEMENT DU FOUR

Il est important de bien choisir l'emplacement de votre four afin d'en augmenter les performances et l'utilité.

Vous devez conserver un dégagement minimal entre le four et toute construction combustible ou non combustible. Consultez le tableau ci-dessous.

De plus, il est recommandé de respecter les dégagements suivants pour l'entretien.

- Parois latérales du four – 30 cm (12 po)
- Paroi arrière du four – 30 cm (12 po)

REMARQUE: Pour les modèles à gaz, il est habituellement possible d'effectuer l'entretien courant sans être gêné par le dispositif de retenue du tuyau à gaz. S'il devient nécessaire d'éloigner davantage le four du mur, vous devez d'abord fermer l'alimentation de gaz et débrancher le tuyau du four avant de retirer le câble d'immobilisation. Remettez le câble en place lorsque le four est remis à sa position normale.

Écran thermique – côté gauche

Il ne doit y avoir aucune source de chaleur à proximité des orifices d'aération situés du côté gauche de l'appareil à gaz. Communiquez avec le fabricant pour obtenir un écran thermique additionnel (offert en option) adapté au four BC14, numéro de pièce R9527

Modèle du four	DÉGAGEMENT ACCEPTABLE		
	Droit	Gauche	Arrière
BC14E	25,4 mm (1 po)	101,6 mm (4 po)	152,4 mm (6 po)
BC14G	25,4 mm (1 po)	152,4 mm (6 po)	152,4 mm (6 po)
B14G	20 mm (0 po)*	0 mm (0 po)	152,4 mm (6 po)

* 0 po (0mm) dégagement des crocs des tuyaux

VENTILATION

On ne saurait trop insister sur la nécessité de prévoir un système d'aération bien conçu. Un tel système permettra au four de bien fonctionner, tout en évacuant les vapeurs et produits de combustion gênants de la zone d'utilisation.

L'extraction des fumées de combustion de l'appareil doit se faire au moyen d'un groupe d'aspiration à commande mécanique. Celui-ci doit être dimensionné de façon à ce qu'il recouvre entièrement l'appareil, tout en dépassant d'au moins 15 cm de tous les côtés qui ne sont pas contigus à un mur. Le groupe doit avoir la capacité qui convient et un appoint d'air adéquat doit être prévu.



AVERTISSEMENT!!

Une mauvaise extraction des fumées de combustion du four peut mettre en danger la santé de l'opérateur. Elle aura également pour résultats des problèmes de fonctionnement, une cuisson laissant à désirer et de possibles dégâts subis par le matériel. Les dégâts résultant directement d'une aération inadéquate ne seront pas couverts par la garantie offerte par le fabricant.

Si cet appareil est installé dans le Commonwealth du Massachusetts, il doit s'emboîter avec le système de sortie de la hotte, de sorte que l'appareil puisse fonctionner seulement quand le système de sortie de la hotte est en marche.

Mises en service américaines et canadiennes

Se reporter aux codes locaux de la ventilation. En l'absence de codes locaux, se reporter au code national de la ventilation intitulé "Normes pour l'installation d'équipements pour l'enlèvement des fumées et vapeurs grasses provenant d'équipements commerciaux pour la cuisine", NFPA-96-Édition la plus récente.

Mise en service dans les autres pays

L'installation doit respecter les normes nationales et locales, qui varient selon le pays. Si vous avez des questions sur les méthodes d'installation acceptables ou sur le fonctionnement de votre appareil, veuillez communiquer avec votre détaillant. S'il n'y a aucun détaillant dans votre région, veuillez communiquer avec Blodgett Combi au 0011-802-860-3700.



Installation

Montage des pieds

OPTIONS

Les pieds sont offerts en différentes longueurs : 101 mm (4 po), 152 mm (6 po) ou 635 mm (25 po) ou avec des roulettes basses.

- Les pieds de 101 mm (4 po) s'adaptent lorsque l'appareil est monté sur un comptoir.
- Les pieds de 152,4 mm (6 po) sont adaptés à la section inférieure lorsque deux appareils sont empilés.
- Les pieds de 635 mm (25 po) sont utilisés pour un seul appareil installé sur un plancher.

REMARQUE: Pour des raisons de sécurité, vous ne devez pas utiliser des roulettes avec les pieds de 635 mm (25 po).

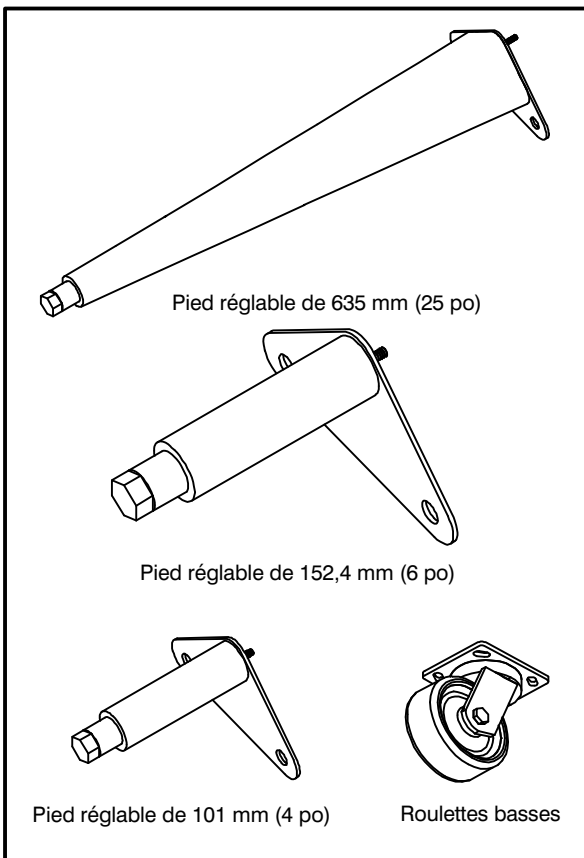


Figure 2

MONTAGE

1. Alignez le goujon fileté situé sur l'un des pieds avant avec le trou de boulon situé au coin inférieur de l'appareil. Tournez le pied dans le sens horaire et serrez jusqu'au tour complet le plus proche.
2. Alignez les trous de la plaque de montage du pied avec les trous de boulon. Fixez solidement au moyen des deux boulons de 1/2 po fournis.
3. Répétez les étapes précédentes pour l'autre pied avant. *Si vous utilisez des roulettes basses, installez les roulettes à frein à l'avant du four. Les roulettes arrière ne se bloquent pas. Assurez-vous que les roulettes avant sont bloquées.*
4. Penchez le four vers l'avant sur les pieds avant que vous venez d'installer. *Si vous venez d'installer des roulettes, assurez-vous que les roulettes avant sont bien bloquées.* Répétez les étapes précédentes pour les pieds arrière.
5. Pour mettre le four de niveau (sauf pour les modèles dotés de roulettes), vissez ou dévissez les pieds réglables selon le cas.

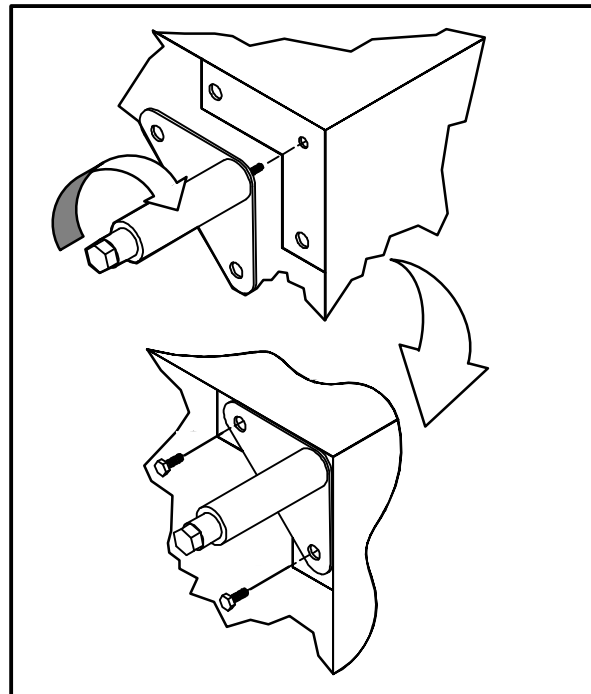


Figure 3



Accessoire des roulettes

1. Placez un niveau sur le plancher où les roulettes seront installées.
2. Placez des cales sous le côté bas jusqu'à ce qu'il soit de niveau.
3. Montez les cales entre les roulettes et le four comme suit :
 - a.) Alignez les cales et les trous des roulettes avec les trous des boulons.
 - b.) Attachez avec les boulons de 13 mm (1/2 pouce) fournis.

REMARQUE: Il faut les installer avec les roulettes bloquantes à l'avant du four. Les roulettes arrière ne se verrouillent pas. **Assurez-vous que les verrous des roulettes avant sont enclenchés.**

4. Basculez le four vers le haut sur les roulettes nouvellement installées.

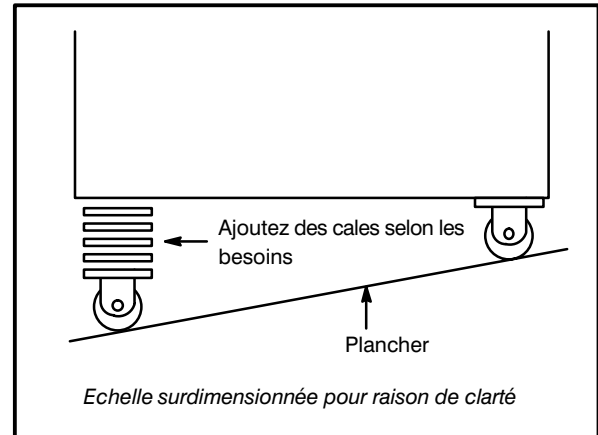


Figure 4



Installation

Superposition

ATTENTION !!

Seul un installateur qualifié peut effectuer la superposition des appareils. Les appareils sont lourds. Assurez-vous d'utiliser des outils et des méthodes appropriés pour soulever et superposer les appareils.

1. Retirez le bac d'égouttage de l'appareil du haut.
2. Posez les pieds ou les roulettes sur l'appareil du bas. Consultez la page 52.
3. Placez l'appareil du haut sur l'appareil du bas. Assurez-vous que les quatre côtés sont bien alignés.
4. Boulonnez les deux appareils ensemble au moyen des boulons fournis.

5. **APPAREILS À GAZ SEULEMENT** : Fixez les événements à gaz tel qu'illustré.

REMARQUE: Pour les appareils électriques, passez à l'étape 6.

6. Remettez le bac d'égouttage. Poussez vers la droite jusqu'à ce qu'il s'arrête. Le côté droit doit surplomber le four.
7. Raccordez le drain, le gaz (s'il y a lieu), l'alimentation électrique et l'eau. Consultez les pages 56–60.

REMARQUE: Un collecteur de gaz optionnel est offert par Blodgett Combi. Commandez la pièce numéro R9570.

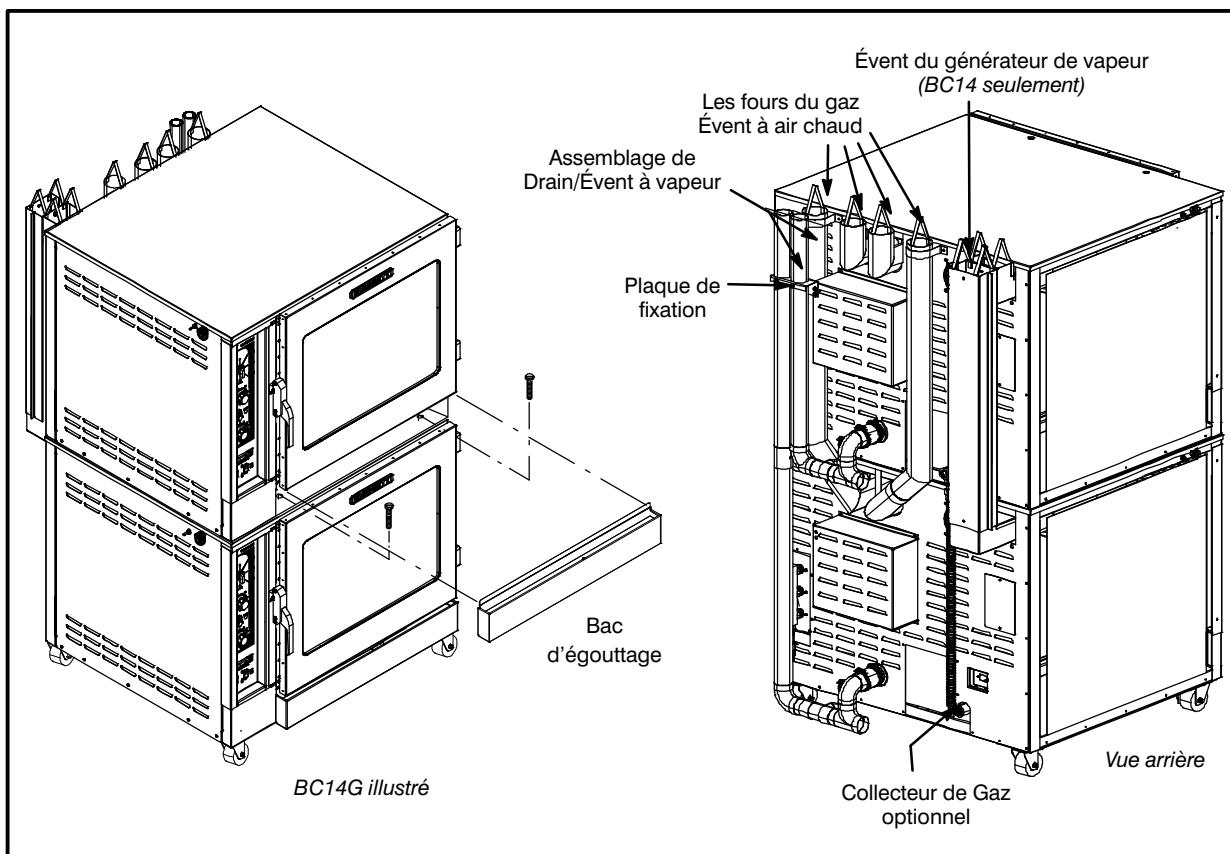


Figure 5



Mise de niveau du four

MISE DE NIVEAU DU FOUR

La préparation du four doit se faire à l'emplacement choisi.

Assurez-vous que la surface de l'emplacement choisi est de niveau, plane et solide. Une base inégale ou en pente pourrait empêcher le four de fonctionner correctement. Il est possible de compenser une surface qui n'est que légèrement inégale en ajustant les pieds en métal. L'ajustement maximal est de 35 mm (1-3/8 po).

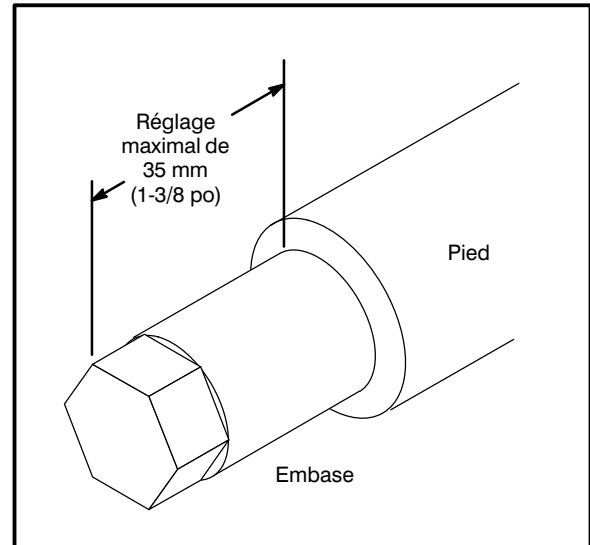


Figure 6



Installation

Raccordement de la plomberie

RACCORDEMENT À L'EAU

REMARQUE: L'utilisation d'eau chaude maximise la production de vapeur, mais elle n'est pas obligatoire. Les deux entrées peuvent recevoir de l'eau froide si l'eau chaude n'est pas disponible.

Raccordez l'appareil à une source d'eau propre au moyen d'un boyau de pression muni de raccords de 19 mm (3/4 po). Consultez la Figure 7 pour le raccordement. Prévoyez l'installation d'un robinet d'arrêt à proximité du four.



ATTENTION !!

L'utilisation de l'appareil non équipé du régulateur d'eau annule votre garantie.

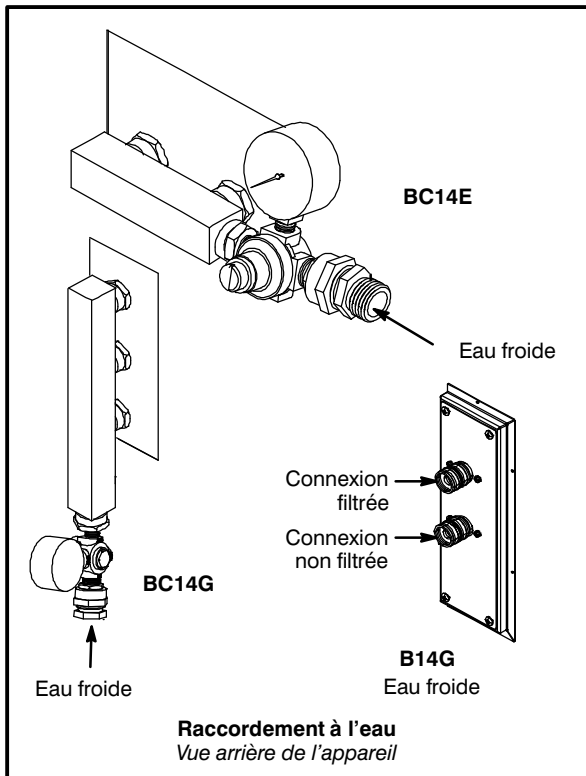


Figure 7

Ce produit doit être installé par un plombier ou un monteur d'installations au gaz accrédité, si installé dans le Commonwealth du Massachusetts.

RACCORDEMENT DU DRAIN

Les évents à vapeur se composent de tuyaux de cuivre de 2 po pour système d'égout se rétrécissant à 1-1/2 po.

Acheminez l'évent à vapeur jusqu'à un fossé de drainage dans le plancher et évitez d'utiliser des boyaux qui pourraient s'affaisser et entraîner des accumulations d'eau. Le client est responsable de fournir la tuyauterie raccordant le four et le drain.

Reliez le drain de casserole d'égouttement au collecteur à l'aide du tuyau 12" flexible aux colliers de la conduite fournis.

Pour raccorder le drain, utilisez l'ensemble d'évent de drain et un tuyau de 50,8 mm (2 po).

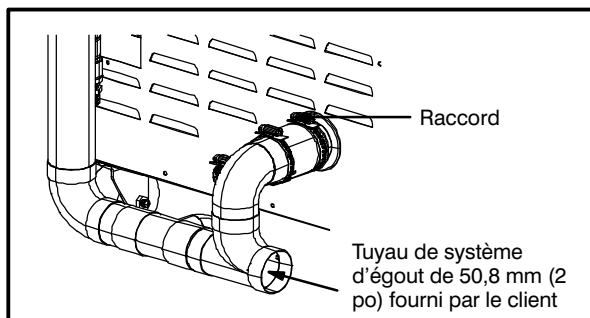


Figure 8

Raccordement à l'eau et à l'égout particulier à la ville de Los Angeles

1. Chaque conduite de vidange raccordée à l'appareil doit être acheminée sans déclivité ou fléchissement pour se terminer au-dessus du niveau de trop-plein d'un récipient d'eaux usées indirectes homologué.
2. L'appareil doit être installé conformément aux instructions imprimées du fabricant et aux éditions de 1999 du LAPC et du LAMC.
3. Un dispositif de protection contre le retour d'eau peut être exigé par les codes locaux. Dans ce cas, installez-le sur le système d'eau potable, directement en amont de l'appareil. Ce dispositif doit être l'un des suivants : un reniflard de type anti-vide homologué installé à au moins 12 po au-dessus du point le plus élevé, un disconnecteur à deux clapets de non-retour ou un disconnecteur hydraulique principal à pression réduite.



Raccordement à l'électricité

Tous les modèles

REMARQUE: Seul un technicien qualifié peut effectuer le raccordement à l'électricité.

Avant de procéder au raccordement à l'électricité des appareils, assurez-vous que la source d'alimentation est conforme aux spécifications de tension, d'intensité et de phase indiquées sur la plaque signalétique de l'appareil.

Le disjoncteur raccordé à cet appareil doit être doté de contacts espacés d'au moins 0,076 po (2 mm). Le disjoncteur doit respecter toutes les normes d'installation nationales et locales.

L'installation de tous les appareils doit se conformer aux codes d'électricité nationaux et locaux.

Le schéma de câblage se trouve à l'intérieur du panneau latéral amovible.

REMARQUE: Débranchez la source d'alimentation électrique de l'appareil avant de procéder à l'entretien.



ATTENTION !!

Une installation non conforme annule votre garantie.

Modèles électriques

Le cordon d'alimentation nécessite un protecteur de cordon. Le responsable de l'installation doit fournir un manchon pour le cordon qui respecte les normes d'installation nationales et locales.

Modèles à gaz

Installations canadiennes et américaines

Un 115V ou 230V cordon d'alimentation muni d'une fiche est fourni avec l'appareil. Branchez la fiche dans une prise de courant appropriée.



ATTENTION !!

Si le cordon d'alimentation est endommagé, remplacez-le par un cordon spécial ou un dispositif fourni par le fabricant ou par un réparateur reconnu.



Installation

Raccordement au gaz

CONDUITE DE GAZ

Il est essentiel d'avoir un circuit d'alimentation en gaz approprié afin que le four puisse donner un rendement maximal. Les dimensions de la tuyauterie doivent permettre d'assurer une alimentation en gaz suffisante pour satisfaire à la demande maximale de tous les appareils en service, et ce sans perte de pression.

Exemple :

REMARQUE: Les valeurs indiquées en BTU à titre d'exemple s'appliquent au gaz naturel.

Supposons que vous achetez un appareil BC14G pour accroître votre capacité de cuisson.

1. Additionnez les puissances nominales en BTU des appareils déjà en place.

Friteuse Pitco	120 000 BTU
Cuisinière à 6 éléments	60 000 BTU
Four à pont	50 000 BTU
Total	230 000 BTU

2. À ce total, ajoutez la puissance nominale en BTU du nouveau four.

Total précédent	230 000 BTU
BC14G	115 000 BTU
Nouveau total	345 000 BTU

3. Mesurez la distance du compteur de gaz jusqu'aux appareils de cuisson pour obtenir la longueur du tuyau. Supposons que la longueur de tuyau soit de 30 pi (9 m) et que le tuyau possède un diamètre de 1 po (2,54 cm).

4. Utilisez la table de calcul appropriée pour déterminer la capacité totale de votre conduite de gaz actuelle.

Dans cet exemple, la capacité totale est de 375 000 BTU. Puisque la pression totale de gaz nécessaire est de 345 000 BTU, donc inférieure à 375 000 BTU, il n'est pas nécessaire pour l'instant d'augmenter la tuyauterie actuellement en place.

REMARQUE: Les capacités en BTU indiquées dans ces tableaux sont valables pour les tuyaux droits seulement. L'ajout de coudes et de raccords courbés diminue la capacité de la tuyauterie. Par exemple, un raccord en L de nomenclature 40 de 1-1/2 po possède une capacité équivalente à un tuyau droit de 4,2 po (10,2 cm). Renseignez-vous auprès de votre fournis-

seur en gaz local si vous avez des questions à ce sujet.

Capacité maximale en gaz naturel d'une tuyauterie en fer en pieds cubes à l'heure (Chute de pression de 0,5 po de colonne d'eau)

Longueur du tuyau (pi)	Dimensions nominales (po)				
	3/4 po	1 po	1 1/4 po	1 1/2 po	2 po
10	360	680	1 400	2 100	3 950
20	250	465	950	1 460	2 750
30	200	375	770	1 180	2 200
40	170	320	660	990	1 900
50	151	285	580	900	1 680
60	138	260	530	810	1 520
70	125	240	490	750	1 400
80	118	220	460	690	1 300
90	110	205	430	650	1 220
100	103	195	400	620	1 150

Extrait du National Fuel Gas Code, partie 10, tableau 10-2

Capacité maximale de la conduite en milliers de BTU/h de gaz PP non dilué à 11 po de colonne d'eau

(Chute de pression de 0,5 po de colonne d'eau)

Longueur du tuyau (pi)	Diamètre interne (po)		
	3/4 po	1 po	1 1/2 po
10	608	1 146	3 525
20	418	788	2 423
30	336	632	1 946
40	287	541	1 665
50	255	480	1 476
60	231	435	1 337
70	215	404	1 241
80	198	372	1 144
90	187	351	1 079
100	175	330	1 014

Extrait du National Fuel Gas Code, partie 10, tableau 10-15



Raccordement au gaz

RÉGULATION DE LA PRESSION ET ESSAIS

Évaluez la pression d'alimentation du gaz pour chaque appareil lorsque les brûleurs sont allumés. Il doit y avoir une pression suffisante à l'entrée pour répondre aux normes. Consultez le tableau ci-dessous pour connaître la pression de gaz qui convient.

Chaque appareil est réglé en usine de manière à fonctionner avec le type de gaz indiqué sur la plaque signalétique située du côté droit de l'appareil.

Chaque four est muni d'un détendeur qui maintient le gaz à la bonne pression. **Ce détendeur est essentiel au bon fonctionnement du four et ne doit jamais être débranché.**

N'INSTALLEZ PAS UN DEUXIÈME DÉTENDEUR AU POINT DE CONNEXION DU GAZ À MOINS QUE LA PRESSION D'ALIMENTATION SOIT SUPÉRIEURE À 14 PO DE LA COLONNE D'EAU (1/2 LB/PO²) (37 mbars).

Pendant les essais de pression, débranchez le four ainsi que son robinet d'arrêt de la tuyauterie d'alimentation en gaz si la pression d'essai est supérieure à 1/2 lb/po² (3,45 kPa).

Isolez le four de la tuyauterie d'alimentation en gaz en fermant son robinet d'arrêt pendant les essais de

pression de la tuyauterie de gaz si la pression d'essai est égale ou inférieure à 1/2 lb/po² (3,45 kPa).

Avant de raccorder les tuyaux d'alimentation en gaz de l'appareil, videz complètement les tuyaux de toutes particules métalliques et de tout déchet. Après le branchement, inspectez l'appareil afin de vous assurer que la pression de gaz est appropriée.

Installations américaines et canadiennes

L'installation doit respecter les normes locales ou, en l'absence de telles normes, les règlements suivants : *National Fuel Gas Code, NFPA54/ANSI Z223.1 – dernière édition, le Code d'installation du gaz naturel CAN/CGA-B149.1* ou le *Code d'installation du propane, CAN/CGA-B149.2*, selon le cas.

Installation dans les autres pays

L'installation doit respecter les normes nationales et locales. Les normes d'installation locales ou les règlements peuvent varier. Si vous avez des questions concernant les méthodes d'installation acceptables ou sur le fonctionnement de votre appareil, veuillez communiquer avec votre détaillant local. S'il n'y a aucun détaillant local dans votre région, veuillez communiquer avec Blodgett Combi au 0011-802-860-3700.

PRESSION DE GAZ					
Type de gaz	Pression d'alimentation	Dimensions de l'orifice au niveau de la mer		Pression d'admission	
		Air chaud	Vapeur	Air chaud	Vapeur
Installations américaines et canadiennes					
Naturel	7–14 po de colonne d'eau	0,0531 po de diamètre	0,042 po de diamètre	3,5 po de colonne d'eau	3,5 po de colonne d'eau
Propane	12–14 po de colonne d'eau	0,032 po de diamètre	0,026 po de diamètre	10,0 po de colonne d'eau	10,0 po de colonne d'eau



Installation

Câble d'immobilisation du tuyau à gaz

Si l'appareil est monté sur des roulettes, utilisez un connecteur flexible ordinaire dont le diamètre interne est d'au moins 1,9 cm (3/4 po) ainsi qu'un raccord rapide.

Un câble d'immobilisation doit être utilisé pour limiter le mouvement de l'appareil de manière à ce que le connecteur flexible ne subisse aucune tension. Attachez le câble au bâti du four le plus près possible du connecteur flexible. Le câble doit être assez court pour empêcher toute tension sur le connecteur. Lorsque le câble est pleinement étiré, il devrait être facile d'installer le connecteur et de le brancher à l'aide du raccord rapide.

Le câble (de fort calibre) doit être installé sans endommager l'immeuble. N'UTILISEZ PAS la conduite de gaz ou les câbles électriques pour ancrer l'extrémité permanente du câble d'immobilisation! Utilisez des boulons d'ancrage vissés dans le béton ou dans un bloc de béton. Pour les murs de bois, utilisez des vis d'ancrage robustes dans les montants des murs.



ATTENTION !!

Si le câble est enlevé pour quelque raison que ce soit, installez-le de nouveau une fois l'appareil remis en place.

Installations américaines et canadiennes

Le connecteur doit respecter la norme *Standard for Connectors for Movable Gas Appliances, ANSI Z21.69* ou *Connectors For Moveable Gas Appliances CAN/CGA-6.16* et le raccord rapide doit respecter la *Standard for Quick-Disconnect Devices for Use With Gas Fuel, ANSI Z21.41* ou *Quick Disconnect For Use With Gas Fuel CAN 1-6.9*. Prévoyez des mesures adéquates pour limiter le mouvement de l'appareil sans compter exclusivement sur le connecteur et le raccord rapide ou sur la conduite connexe.

Chaque appareil doit être muni d'un collecteur de condensats. Consultez *NFPA54/ANSI Z223.1 - dernière édition* (National Fuel Gas Code) pour connaître les méthodes d'installation d'un collecteur de condensats.

Installation dans un autre pays

L'installation doit respecter les normes nationales et locales. Les normes d'installation locales ou les règlements peuvent varier. Si vous avez des questions concernant les méthodes d'installation acceptables ou le fonctionnement de votre appareil, veuillez communiquer avec votre détaillant local. S'il n'y a aucun détaillant dans votre région, veuillez communiquer avec Blodgett Combi au 0011-802-860-3700.

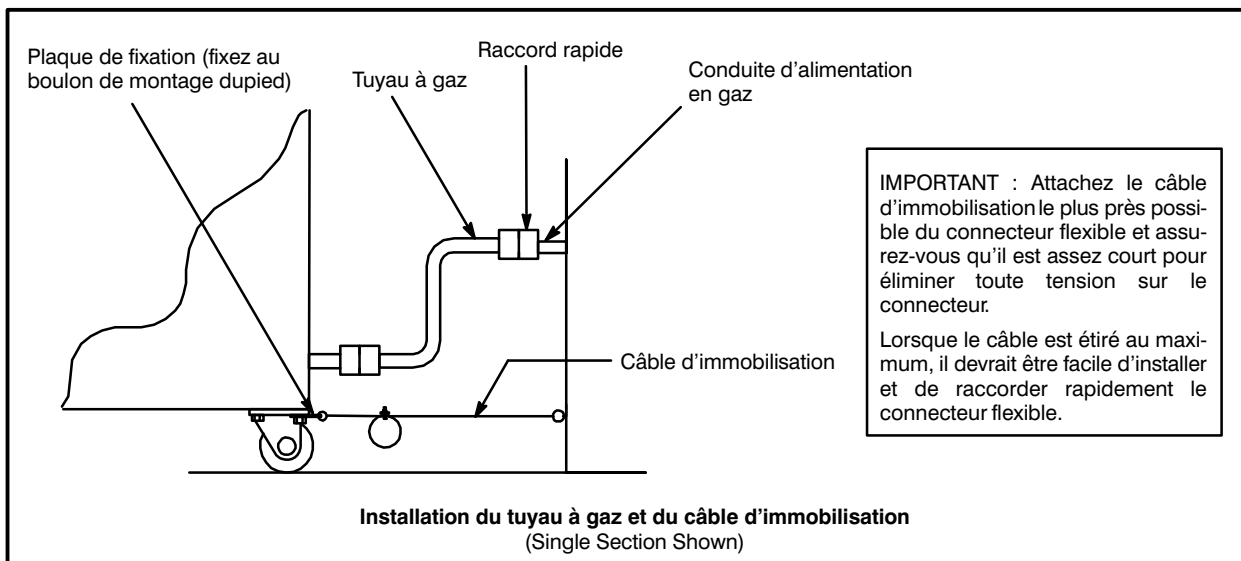


Figure 9



Avant de mettre l'appareil sous tension pour la première fois, effectuez les vérifications suivantes:

- Toutes les normes de sécurité ont été respectées et les connexions électriques sont appropriées.
- Le raccordement à l'eau est en place et en service et tous les raccords d'eau sont étanches.
- Les supports de plat sont insérés dans la cavité du four.

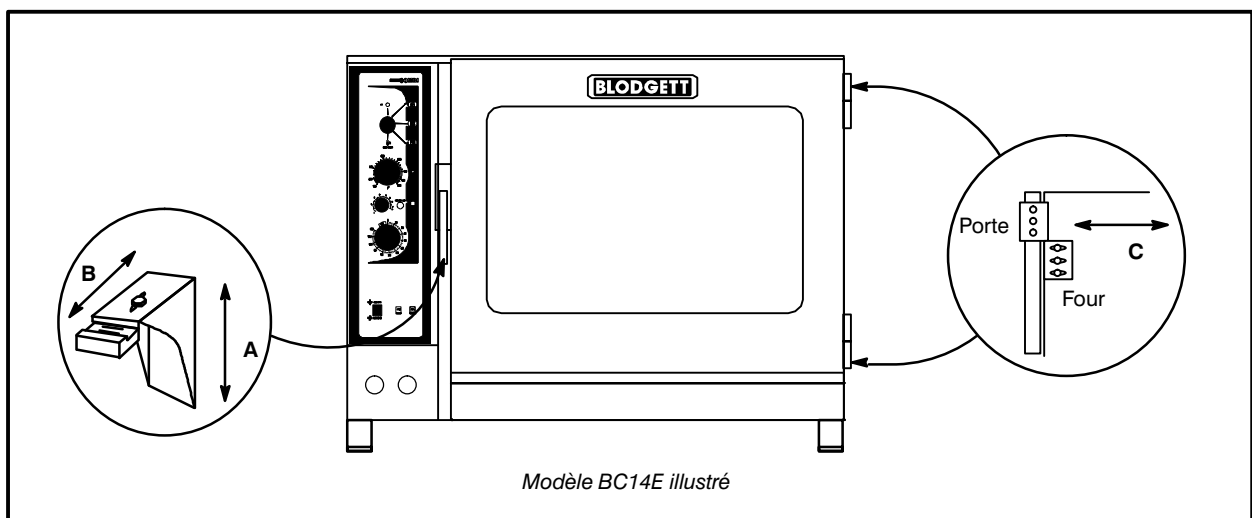
AJUSTEMENT DE LA PORTE

Le loquet de la porte s'ajuste dans directions, soit vers l'avant et l'arrière et aussi vers le haut et vers le bas. Procédez comme suit :

1. Pour ajuster vers le haut et vers le bas, desserrez les deux boulons qui fixent le loquet au devant de l'appareil. Reportez-vous à la Figure 10 (A).
2. Effectuez les ajustements nécessaires pour centrer le devant du loquet sur l'ouverture de la poignée.
3. Serrez les boulons solidement.
4. Pour ajuster vers l'avant et l'arrière, desserrez le boulon sur le dessus du loquet. Reportez-vous à la Figure 10 (B).
5. L'ajustement se fait par étapes afin de limiter le mouvement lorsque le boulon est bien serré.
6. L'ajustement est correct lorsque la porte se ferme bien et que le joint ne laisse échapper aucune vapeur.

Vous pouvez aussi ajuster les charnières comme suit:

1. Assurez-vous que le loquet est bien ajusté.
2. Ajustez les charnières de manière à ce que la partie arrière de la porte et le devant de l'appareil soient parallèles. Consultez la Figure 10 (C).
3. L'ajustement est correct lorsque le joint ne laisse échapper aucune vapeur.



Modèle BC14E illustré

Figure 10



Installation

Liste de vérification finale



ATTENTION !!

Seul un installateur qualifié peut effectuer les étapes suivantes de la liste de vérification.

COMPARTIMENT DES COMMANDES ÉLECTRIQUES

- La tension de l'alimentation électrique de l'appareil est conforme aux spécifications énoncées sur la plaque.

VÉRIFICATION FINALE DE LA TUYAUTERIE

- La pression d'entrée de l'eau est conforme aux spécifications de l'appareil.
- Le drain de mise à l'air libre est en place.
- L'électrovalve est bien fixée en place et ne fuit pas.
- Les conduites d'alimentation en eau sont en place et ne fuient pas.
- Le boyau pulvérisateur (offert en option) est raccordé correctement. Raccordez le boyau pulvérisateur (optionnel) à l'électrovalve de remplissage selon la méthode illustrée.

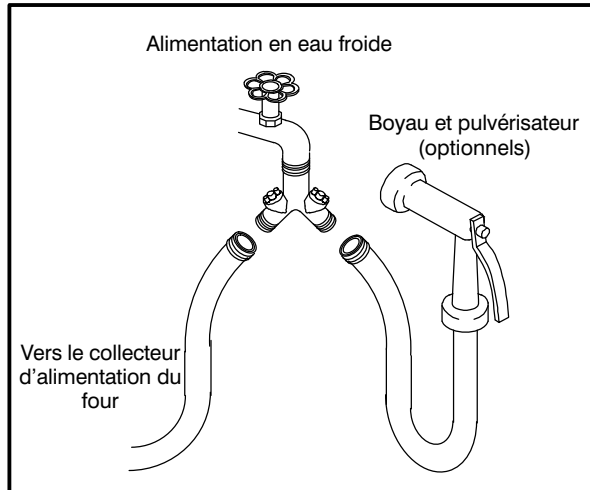


Figure 11



Liste de vérification finale

ESSAIS DE FONCTIONNEMENT DU FOUR

REMARQUE: Le client ou le réparateur agréé doivent effectuer les vérifications suivantes.

Mode de refroidissement

- Assurez-vous que le ventilateur fonctionne lorsque la porte est ouverte.

Mode Steam (vapeur)

Réglez l'appareil sur le mode STEAM et vérifiez les points suivants:

- Le voyant Heat demand [demande de chaleur] est en marche.
- Le voyant de demande de chaleur s'éteint à 100°C (212°F) environ.
- Vérifiez le fonctionnement de la minuterie dans les trois positions.
 - a.) Réglez la minuterie sur la position "OFF"; la sonnerie devrait retentir.
 - b.) Réglez la minuterie sur une position autre que "OFF" ou "STAY ON" (toujours allumé), la minuterie devrait effectuer un compte à rebours.
 - c.) Réglez la minuterie sur la position "STAY ON" (toujours allumé), le four devrait fonctionner en continu sans minuterie.
- Le voyant Run (fonctionnement) s'allume.
- L'appareil produit de la vapeur, le hublot est embué, le joint de la porte ne laisse échapper aucune fuite.

Mode Combi (combinaison)

Réglez l'appareil sur le mode COMBI (combinaison), réglez le thermostat sur 177°C (350°F) et vérifiez les points suivants:

- Le voyant de demande de chaleur est en marche.
- Le four se réchauffe.
- Le voyant de demande de chaleur s'éteint à 177°C (350°F) et le four reste à la température de 177°C (350°F).
- Le ventilateur s'arrête lorsque la porte est ouverte.

Mode Hot Air (air chaud)

Réglez l'appareil sur le mode Hot Air (air chaud) et réglez le thermostat sur 204°C (400°F), et vérifiez les points suivants:

- Le voyant d'appel de chaleur est allumé.
- Le four chauffe bien.
- Le voyant de chaleur s'éteint à 204°C (400°F) et le four conserve une température de 204°C (400°F).
- Le ventilateur s'arrête à l'ouverture de la porte.

Mode Steam on Demand (vapeur sur demande)

Réglez l'appareil sur le mode Hot Air [air chaud]. Réglez la vapeur sur demande pour 1 minute. Appuyez sur le bouton de vapeur sur demande et vérifiez les points suivants :

- Le voyant de vapeur sur demande est allumé.
- Le voyant de vapeur sur demande s'éteint au bout de 1 minute environ.



Fonctionnement

Renseignements sur la sécurité des appareils au gaz

Les renseignements contenus dans la présente section sont destinés au personnel d'exploitation qualifié, c.-à-d. les personnes qui ont soigneusement lu ce manuel et qui se sont familiarisées avec les fonctions du four ou qui détiennent de l'expérience dans le fonctionnement de l'appareil décrit. Le respect des procédures décrites dans le présent manuel assurera un rendement optimal et une utilisation sans problèmes sur une longue période.

Veillez prendre le temps de lire les présentes consignes de sécurité et de fonctionnement. Elles sont essentielles à une bonne utilisation de votre appareil Combi de Blodgett.



CONSEILS DE SÉCURITÉ

Pour assurer votre sécurité, veuillez lire le présent manuel avant d'utiliser l'appareil.

Que faire si vous percevez une odeur de gaz :

- N'ESSAYEZ PAS de mettre un appareil en marche.
- NE TOUCHEZ à aucun interrupteur électrique.
- Utilisez un téléphone qui se trouve hors de l'immeuble pour appeler immédiatement votre fournisseur de gaz.
- Si vous ne pouvez pas communiquer avec votre fournisseur de gaz, appelez le service des incendies.

Que faire en cas de panne de courant :

- Placez tous les commutateurs à la position OFF.
- NE TENTEZ PAS de faire fonctionner votre appareil avant le rétablissement du courant.

REMARQUE: Dans l'éventualité d'un arrêt quelconque, attendez cinq (5) minutes avant de tenter de refaire fonctionner le four.

Conseils généraux de sécurité :

- N'UTILISEZ PAS des outils pour fermer la commande du gaz. Si vous ne parvenez pas à couper manuellement le gaz, n'essayez pas de réparer la commande. Appelez un technicien qualifié.
- Si vous devez déplacer le four pour quelque raison que ce soit, fermez la commande du gaz et déconnectez le tuyau d'admission avant d'enlever le câble d'immobilisation. Rebranchez ce câble une fois le four remis en place.
- NE RETIREZ PAS le couvercle du panneau de commande sans avoir débranché le four.



Commandes du gaz

IDENTIFICATION DES COMMANDES

1. **INTERRUPTEUR DE COMMANDE DE GAZ** – Utilisé pour mettre en marche et arrêter le gaz.
2. **POSITION DE GAZ EN MARCHÉ** – Appuyez sur l'interrupteur pour l'amener sur la position I.
3. **POSITION DE GAZ ARRÊTÉ** – Appuyez sur l'interrupteur pour l'amener sur la position O.

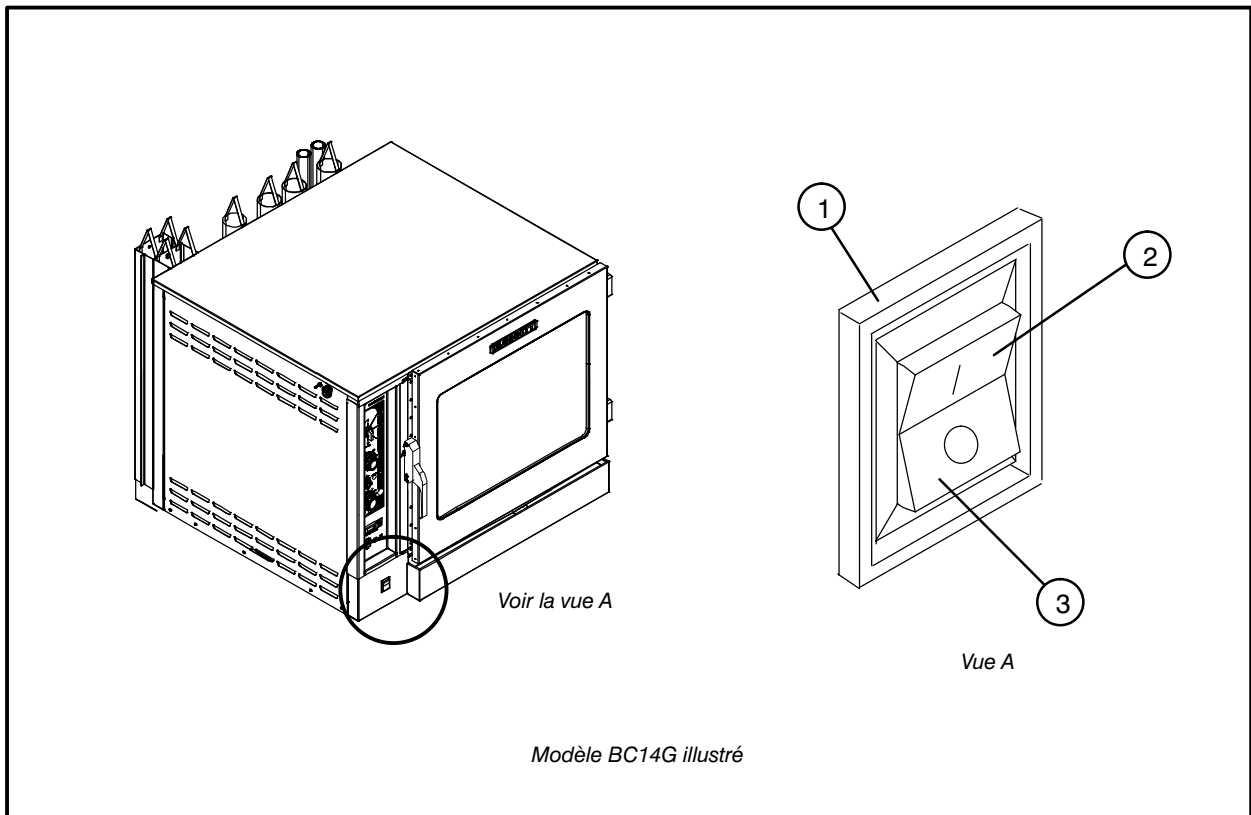


Figure 12



Fonctionnement

Commandes standard

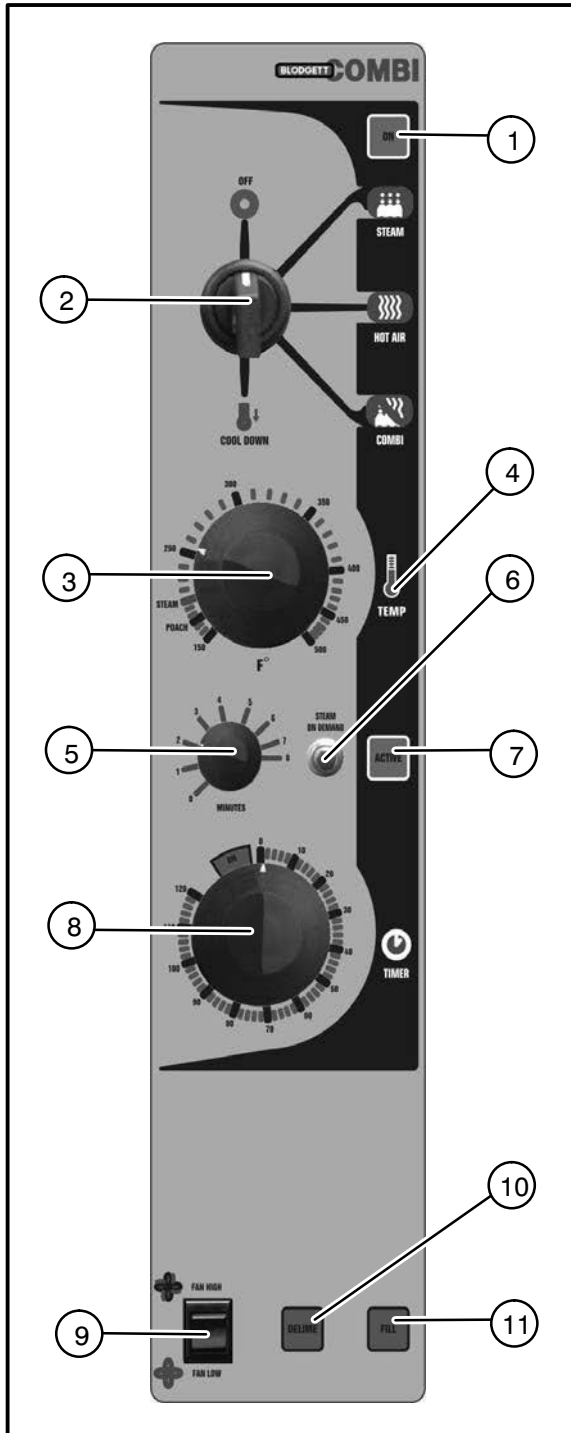


Figure 13

IDENTIFICATION DES COMMANDES

1. **VOYANT DE MISE SOUS TENSION** – Il s'allume quand l'unité est sous tension.
2. **SÉLECTEUR DE MODE** – Établit et coupe l'alimentation du four. Permet la sélection des modes Steam (vapeur), Hot Air (air chaud), Combi (combinaison) ou Cool Down (refroidissement).
3. **MINUTERIE DE TEMPÉRATURE** – Permet de choisir la température de cuisson.
4. **VOYANT DE CHALEUR EN MARCHÉ** – Lorsqu'il est allumé, cela indique que l'appareil se chauffe. Le voyant s'éteint lorsque l'appareil a atteint la température de consigne.
5. **VAPEUR SUR DEMANDE** – Permet de régler la durée de l'injection de la vapeur.
6. **POUSOIR VAPEUR SUR DEMANDE** – Permet de démarrer le cycle d'injection de la vapeur.
7. **VOYANT DE VAPEUR SUR DEMANDE** – S'allume lorsque la vapeur sur demande est activée.
8. **MINUTERIE** – Permet de choisir la durée de la cuisson.
9. **COMMUTATEUR DE VITESSE DU VENTILATEUR** – utilisé pour choisir la vitesse réduite ou élevée.
10. **VOYANT DE DÉTARTRAGE** – Clignote lorsque le détartrage du générateur de vapeur est nécessaire, est allumé en continu lorsque le processus de détartrage est en cours.
REMARQUE: B14G ne possède pas de voyant de détartrage.
11. **BC14 VOYANT DE REMPLISSAGE** – S'allume pendant que le générateur de vapeur se remplit d'eau.
B14 VOYANT DE NETTOYAGE DU FOUR – S'allume lorsque le nettoyage du four est nécessaire; en particulier, derrière la garde de ventilateur et le ventilateur.



FONCTIONNEMENT

1. Placez le SÉLECTEUR DE MODE (2) à la fonction désirée.
2. Réglez la MINUTERIE (8) à la position ON (marche).
3. Dans le cas des modes HOT AIR (air chaud) et COMBI (combinaison), réglez le SÉLECTEUR DE TEMPÉRATURE (3) à la température de cuisson désirée.

REMARQUE: La température optimale dans le mode combinaison est de 149 à 177 °C (300 à 350 °F).

En mode de VAPEUR, placez le sélecteur de TEMPÉRATURE (2) sur une température maximale de 100 °C (212 °F).

REMARQUE: Pour étuver, placez le bouton sur 100 °C (212 °F). Pour pocher, placez le bouton sur 82 °C (180 °F).

4. Une fois que le four est préchauffé, placez la nourriture à l'intérieur et fermez la porte.
5. Réglez la MINUTERIE (8) sur la durée de cuisson désirée.
6. Le mode choisi fonctionne automatiquement. Vous pouvez modifier la température, la durée et le mode durant la cuisson. Vous pouvez aussi arrêter le four au moyen du sélecteur de mode ou en ouvrant la porte du four.
7. À l'expiration de la durée choisie, la sonnerie retentit et l'appareil s'arrête automatiquement. Placez la MINUTERIE (8) à la position ON (marche) pour arrêter la sonnerie et redémarrez l'appareil en mode de fonctionnement continu.
8. Pour faire refroidir la cavité du four, placez le SÉLECTEUR DE MODE (2) à la position COOL DOWN (refroidissement). Durant ce mode, le sélecteur de température et la minuterie ne sont pas fonctionnels.

REMARQUE: Il est possible de refroidir rapidement le four en vue d'utiliser la vapeur, de procéder au nettoyage, etc. Ouvrez la porte et sélectionnez le mode de refroidissement. La température du four passera de 177 à 100 °C (350 à 212 °F) en environ deux minutes.

9. Le sélecteur de mode constitue aussi l'interrupteur principal d'alimentation. À la position OFF (arrêt), l'appareil n'est pas fonctionnel.

Vapeur sur demande

Dans le mode Air chaud ou Combi, l'appareil peut être réglé pour chauffer à la vapeur pour une période temporisée. À la fin du cycle temporisé, l'appareil retourne à la configuration initiale. La vapeur sur demande peut être utilisée à tout moment pendant le cycle de cuisson.

REMARQUE: La vapeur sur demande n'est pas disponible dans le mode de vapeur.

1. Réglez le temps de production de vapeur désiré avec la MINUTERIE DE VAPEUR SUR DEMANDE (5).
2. Appuyez sur l'INTERRUPTEUR DE VAPEUR SUR DEMANDE (6).

Cette fonction est utile de plusieurs façons, dont quelques-unes sont listées ci-dessous. La plupart de ces idées proviennent de l'esprit créatif de nos clients. Essayez vous-même cette fonction et dites-nous si vous trouvez de nouveaux emplois.

- Ajoutez une ou deux minutes au début de la cuisson du pain pour obtenir une croûte brillante.
- Démarrez les grosses fournées, par exemple de 20 poulets ou plus. En commençant les grosses fournées avec 5 à 8 minutes de vapeur, vous aidez le four à se rétablir et vous diminuez le temps de cuisson de plus de 10 %.
- Cuisez les petits pains en couronne sans les bouillir. En commençant leur cuisson avec 1 ou 2 minutes de vapeur, vous pouvez obtenir une croûte splendide.
- La crème caramel est extra à 230 – 250°F dans le mode Combi avec 2 minutes de vapeur sur demande.
- Lorsque vous cuisez des ailettes de poulet, essayez de régler le four dans le mode Combi à 375°F et utilisez 3 minutes de Vapeur sur demande. Cette méthode empêche les extrémités de brûler. La durée totale de la cuisson est d'environ 12 minutes.
- Les côtes de porc ont tendance à être plus moelleuses avec la Vapeur sur demande pendant 5 à 8 minutes. Essayez-les dans le mode Combi à 350°F.



Fonctionnement

Cuisson et Pause en Option

The diagram shows the control panel of a Blodgett Combi oven. At the top right is a power switch (1). Below it is a mode selector knob (2) with positions for OFF, STEAM, HOT AIR, and COOL DOWN. To the right of the knob are three mode buttons: STEAM (3), HOT AIR (4), and COMBI (5). Below the mode selector is a digital timer display (6) with up and down arrow buttons (7) and a timer start button (8). Below the timer is a digital temperature display (9) with up and down arrow buttons (10). Below the temperature display are three product selection buttons: 1 (11), 2 (12), and 3 (13), along with a MANUAL button (14). Below these are START (15), PROG (16), and STOP (17) buttons. At the bottom left is a fan speed selector knob (18) with positions for FAN HIGH and FAN LOW. At the bottom right are DEL (19) and PWR (20) buttons. A small indicator light (21) is located between the fan selector and the DEL/PWR buttons.

IDENTIFICATION DES CONTRÔLES

- VOYANT DE MISE SOUS TENSION** – Il s'allume quand l'unité est sous tension.
- SÉLECTEUR DE MODE** – Il permet de mettre en marche ou d'arrêter le four, ainsi que de sélectionner les modes Vapeur [Steam], Air chaud [Hot Air], Combi ou Refroidissement [Cool down]. Lorsque le sélecteur est réglé sur le mode Vapeur, Air chaud, Combi ou Refroidissement, le ventilateur se met en route.
- CADRAN DE LA MINUTERIE** – Indique le temps de cuisson.
- TOUCHE FLÉCHÉES DE LA MINUTERIE** – Appuyer sur ces touches afin d'entrer le temps de cuisson, de 00:00 à 99:59.
- CADRAN DE LA TEMPÉRATURE** – Indique la température de cuisson.
- VOYANT INDICATEUR DE CHAUFFAGE** – Ce voyant s'allume quand le chauffage par air chaud ou vapeur fonctionne.
- TOUCHES FLÉCHÉES DE TEMPÉRATURE** – Appuyer sur ces touches afin d'entrer la température de cuisson de 48° à 100°C pour la cuisson à la vapeur et 60° à 260°C pour la cuisson à Air chaud/Combi.
- DIODE PREMIÈRE ÉTAPE** – Cette diode s'allume lors du fonctionnement ou de la programmation de la première étape de cuisson du produit. Les cycles de cuisson ont une ou deux étapes.
- TOUCHE DE TEMPÉRATURE VÉRITABLE** – Appuyer sur cette touche pour afficher la température véritable du four /vapeur.
- TOUCHE DEUXIÈME ÉTAPE** – Appuyer sur cette touche pour entrer le temps de cuisson et la température de la deuxième étape.
- TOUCHES DE PRODUIT** – Trois touches programmables.
- TOUCHE DE PRODUIT CUISSON MANUELLE** – C'est la touche de produit par défaut, utilisée pour une cuisson manuelle et programmée.
- TOUCHE DÉMARRAGE** – Appuyer pour commencer le compte à rebours de la minuterie.

Figure 14



Cuisson et Pause en Option

14. **TOUCHE ARRET** – Appuyer sur cette touche pour stopper les alarmes, arrêter momentanément le four ou annuler les cycles de cuisson.
15. **TOUCHE DE PROGRAMMATION** – Appuyer sur cette touche pour entrer le mode de programmation et pour sauvegarder les paramètres de programmation.
16. **VAPEUR SUR DEMANDE** – Permet de régler la durée de l'injection de la vapeur.
17. **POUSSOIR VAPEUR SUR DEMANDE** – Permet de démarrer le cycle d'injection de la vapeur.
18. **VOYANT DE VAPEUR SUR DEMANDE** – S'allume lorsque la vapeur sur demande est activée.
19. **COMMUTATEUR DE VITESSE DU VENTILATEUR** – utilisé pour choisir la vitesse réduite ou élevée.
20. **VOYANT DE DÉTARTRAGE** – Clignote lorsque le détartrage du générateur de vapeur est nécessaire, allumé en continu lorsque le processus de détartrage est actif.
REMARQUE: B14G ne possède pas de voyant de détartrage.
21. **VOYANT DE REMPLISSAGE** – S'allume jusqu'à ce que le générateur de vapeur soit rempli d'eau.
REMARQUE: B14G ne possède pas de voyant de remplissage.

FONCTIONNEMENT MANUELLE

1. Régler le SÉLECTEUR (2) sur le mode désiré. La DIODE située au-dessus de la touche Cuisson manuelle s'allume.
2. Appuyer sur les TOUCHES FLÉCHÉES DE TEMPÉRATURE (7) afin de régler la température de cuisson de la première étape.
3. Appuyer sur les TOUCHES FLÉCHÉES DE LA MINUTERIE (4) pour régler le temps de cuisson de la première étape.
4. Appuyez sur la TOUCHE DEUXIEME ÉTAPE (10).
REMARQUE: On peut utiliser l'étape deux (2) soit comme mode d'attente, soit comme deuxième température de cuisson. Pare exemple : Cuire la viande ou la volaille à basse

température pour une rétention maximale de l'humidité, puis régler sur la seconde étape pour le brunissement. Si vous souhaitez utiliser la seconde étape comme mode d'attente, vous devez régler un temps d'attente approprié à partir duquel l'appareil effectuera le compte à rebours.

REMARQUE: Si une deuxième étape n'est pas nécessaire, entrez 00:00 pour le temps de cuisson.

5. Appuyer sur les TOUCHES FLÉCHÉES DE TEMPÉRATURE (7) pour régler la température de cuisson de la deuxième étape.
6. Appuyer sur les TOUCHES FLÉCHÉES DE LA MINUTERIE (4) pour régler le temps de cuisson de la deuxième étape.
7. Appuyer sur la TOUCHE DÉMARRAGE (13) pour démarrer le cycle de cuisson. La DIODE PREMIERE ÉTAPE (8) s'allume. Le CADRAN DE LA MINUTERIE (3) affiche le compte à rebours du temps de cuisson de la première étape.
Si une deuxième étape a été sélectionnée, une alarme retentit à la fin de la première étape. Le cadran de la minuterie affiche alors le compte à rebours du temps de cuisson de la deuxième étape.
8. Lorsque toutes les étapes de cuisson sont terminées, LE CADRAN DE LA MINUTERIE (3) affiche 00:00 en clignotant, le CADRAN D'AFFICHAGE DE LA TEMPÉRATURE (5) affiche 0 en clignotant et une alarme retentit. Appuyer sur la TOUCHE ARRET (14) pour arrêter l'alarme. Le contrôle maintient la température de cuisson de la première étape.
9. Régler le SÉLECTEUR (2) sur OFF pour arrêter le four/vapeur.

REMARQUE: Le temps de cuisson et la température choisis peuvent être modifiés à tout moment durant l'opération manuelle du four. Appuyer sur les touches fléchées de la minuterie pour changer le temps de cuisson. Appuyer sur les touches fléchées de température pour modifier la température de cuisson.



Fonctionnement

Cuisson et Pause en Option

FONCTIONNEMENT PROGRAMMÉ

REMARQUE: Référez-vous à la page 29 pour les instructions de programmation.

1. Régler le SÉLECTEUR (2) sur le mode désiré.
2. Appuyer sur la TOUCHE DE PRODUIT (11) appropriée. La DIODE située au dessus de la touche sélectionnée s'allume.
3. Appuyez sur la TOUCHE DÉMARRAGE (13) pour démarrer le cycle de cuisson. La DIODE PREMIERE ÉTAPE (8) s'allume. Le CADRAN DE LA MINUTERIE (3) affiche le compte à rebours du temps de cuisson de la première étape.

REMARQUE: Appuyer une fois sur la TOUCHE ARRÊT (14) pour arrêter momentanément la première étape d'un cycle déjà entamé. Appuyer sur la TOUCHE DÉMARRAGE (13) pour redémarrer le cycle.

REMARQUE: Appuyer deux fois sur la TOUCHE ARRÊT (14) pour annuler la première étape d'un cycle déjà entamé.

4. Une alarme retentit pour annoncer la fin de la première étape. Le Cadran de la minuterie affiche le compte à rebours du temps de cuisson de la deuxième étape.

REMARQUE: Appuyer une fois sur le TOUCHE ARRÊT (14) pour annuler la deuxième étape d'un cycle déjà entamé. Si la deuxième étape d'un cycle est déjà entamée, ce dernier ne peut être interrompu momentanément.

5. Lorsque toutes les étapes de la cuisson sont achevées, le CADRAN DE LA MINUTERIE (3) affiche 00:00 en clignotant, le CADRAN DE LA TEMPÉRATURE (5) affiche 0 en clignotant et une alarme retentit. Appuyer sur la TOUCHE ARRÊT (14) pour arrêter l'alarme. Le contrôle maintient la température de cuisson de la première étape.

VAPEUR SUR DEMANDE

Dans le mode Air chaud ou Combi, l'appareil peut être réglé pour chauffer à la vapeur pour une période temporisée. À la fin du cycle temporisé, l'appareil retourne à la configuration initiale. La vapeur sur demande peut être utilisée à tout moment pendant le cycle de cuisson.

REMARQUE: La vapeur sur demande n'est pas disponible dans le mode de vapeur.

1. Réglez le temps de production de vapeur désiré avec la MINUTERIE DE VAPEUR SUR DEMANDE (16).
2. Appuyez sur l'INTERRUPTEUR DE VAPEUR SUR DEMANDE (17).

Cette fonction est utile de plusieurs façons, dont quelques-unes sont listées ci-dessous. La plupart de ces idées proviennent de l'esprit créatif de nos clients. Essayez vous-même cette fonction et dites-nous si vous trouvez de nouveaux emplois.

- Ajoutez une ou deux minutes au début de la cuisson du pain pour obtenir une croûte brillante.
- Démarrez les grosses fournées, par exemple de 20 poulets ou plus. En commençant les grosses fournées avec 5 à 8 minutes de vapeur, vous aidez le four à se rétablir et vous diminuez le temps de cuisson de plus de 10 %.
- Cuisez les petits pains en couronne sans les bouillir. En commençant leur cuisson avec 1 ou 2 minutes de vapeur, vous pouvez obtenir une croûte splendide.
- La crème caramel est extra à 230 – 250°F dans le mode Combi avec 2 minutes de vapeur sur demande.
- Lorsque vous cuisez des ailettes de poulet, essayez de régler le four dans le mode Combi à 375°F et utilisez 3 minutes de Vapeur sur demande. Cette méthode empêche les extrémités de brûler. La durée totale de la cuisson est d'environ 12 minutes.
- Les côtes de porc ont tendance à être plus moelleuses avec la Vapeur sur demande pendant 5 à 8 minutes. Essayez-les dans le mode Combi à 350°F.



Cuisson et Pause en Option

PROGRAMMATION DES TOUCHES DE PRODUITS

REMARQUE: Chaque touche de produit peut être programmée pour deux programmes: Vapeur et Air chaud/Combi. Les programmes Air chaud peuvent être utilisés en mode Combi.

1. Régler le SÉLECTEUR (2) sur le mode désiré.
2. Appuyer sur la TOUCHE DE PRODUIT (11) appropriée.
3. Appuyer sur la TOUCHE DE PROGRAMMATION (15) et maintenez-la enfoncée pendant cinq secondes. Le contrôle émet un signal sonore. La DIODE de la touche de produit et la DIODE PREMIERE ÉTAPE (8) s'allument.
4. Appuyer sur les TOUCHES FLÉCHÉES DE TEMPÉRATURE (7) pour régler la température de cuisson de la première étape.
5. Appuyer sur les TOUCHES FLÉCHÉES DE LA MINUTERIE (4) pour régler le temps de cuisson de la première étape.
6. Appuyer sur la TOUCHE DEUXIEME ÉTAPE (10).

REMARQUE: On peut utiliser l'étape deux (2) soit comme mode d'attente, soit comme deuxième température de cuisson. Par exemple : Cuire la viande ou la volaille à basse température pour une rétention maximale de l'humidité, puis régler sur la seconde étape pour le brunissement. Si vous souhaitez utiliser la seconde étape comme mode d'attente, vous devez régler un temps d'attente approprié à partir duquel l'appareil effectuera le compte à rebours.

REMARQUE: Si la deuxième étape de cuisson n'est pas nécessaire, entrez 00:00 pour le temps de cuisson.

7. Appuyer sur les TOUCHES FLÉCHÉES DE TEMPÉRATURE (7) pour régler la température de cuisson de la deuxième étape.
8. Appuyer sur les TOUCHES FLÉCHÉES DE LA MINUTERIE (4) pour régler le temps de cuisson de la deuxième étape.
9. Press and hold the TOUCHE DE PROGRAMMATION (15) et maintenez-la enfoncée pour sauvegarder les paramètres de programmation.



Fonctionnement

Cuisson et Pause en Option

PROGRAMMATION DE LA TOUCHE CUISSON MANUELLE

REMARQUE: La touche Cuisson manuelle peut être utilisée pour la cuisson en mode manuel et programmée pour deux produits, Vapeur et Air chaud/Combi. Les programmes Air chaud peuvent être utilisés en mode Combi.

1. Régler le SÉLECTEUR (2) sur le mode désiré.
2. Appuyer sur la TOUCHE CUISSON MANUELLE (12). La DIODE située au dessus de la touche Cuisson manuelle s'allume.
3. Appuyer sur les TOUCHES FLÉCHÉES DE TEMPÉRATURE (7) pour régler la température de cuisson de la première étape.
4. Appuyer sur les TOUCHES FLÉCHÉES DE LA MINUTERIE (4) pour régler le temps de cuisson de la première étape.
5. Appuyer sur la TOUCHE DEUXIÈME ÉTAPE (10).

REMARQUE: On peut utiliser l'étape deux (2) soit comme mode d'attente, soit comme deuxième température de cuisson. Par exemple : Cuire la viande ou la volaille à basse température pour une rétention maximale de l'humidité, puis régler sur la seconde étape pour le brunissement. Si vous souhaitez utiliser la seconde étape comme mode d'attente, vous devez régler un temps d'attente approprié à partir duquel l'appareil effectuera le compte à rebours.

REMARQUE: Si la deuxième étape de cuisson n'est pas nécessaire, entrez 00:00 pour le temps de cuisson.

6. Appuyer sur les TOUCHES FLÉCHÉES DE TEMPÉRATURE (7) pour régler la température de cuisson de la deuxième étape.
7. Appuyer sur les TOUCHES FLÉCHÉES DE LA MINUTERIE (4) pour régler le temps de cuisson de la deuxième étape.
8. Appuyer sur la TOUCHE DE PROGRAMMATION (15) et maintenez-la enfoncée pour sauvegarder les paramètres de programmation.

REMARQUE: Le temps de cuisson et la température choisis peuvent être modifiés à tout moment durant l'opération manuelle du four. Appuyer sur les touches fléchées de la minuterie pour changer le temps de cuisson. Appuyer sur les touches fléchées de température pour modifier la température de cuisson.



Sonde thermique optionnelle

IDENTIFICATION DES CONTRÔLES

1. INTERRUPTEUR DE LA SONDE À VIANDE

Contrôle la marche ou l'arrêt de la sonde à viande.

2. CONTRÔLE DE LA SONDE À VIANDE

Sert à régler la température désirée de la sonde. Indique la température réelle du produit.

3. CONNECTEUR DE LA SONDE À VIANDE

Pris pour le branchement de la sonde à viande.

REMARQUE: Pour des raisons d'hygiène il est recommandé que la sonde à viande reste toujours branchée sur la prise du panneau avant.

UTILISATION

Pouvoir mesurer la température au coeur du produit pendant les longues périodes de cuisson est très pratique. Il est particulièrement important pour des aliments tels que le Roast Beef d'atteindre une température interne spécifique.

Planter la sonde dans le milieu de la partie la plus épaisse du produit. S'assurer que la sonde ne touche pas d'os et que sa pointe n'est pas plantée dans une poche de gras. Ces conditions pouvant causer des lectures non précises.

1. Régler le COMMUTATEUR SÉLECTEUR sur la fonction désirée.
2. Tourner l'INTERRUPTEUR DE LA SONDE À VIANDE (1) sur *MARCHE*.
3. Pour régler la température à coeur désirée, appuyer se le BOUTON DE RÉGLAGE (4) bleu sur le CONTRÔLE DE LA SONDE À VIANDE (2).

Utiliser la touche avec la flèche montante (6) pour augmenter le point de réglage de la température. Utiliser la touche avec la flèche descendante (5) pour diminuer le point de réglage de la température.

Appuyer à nouveau sur bouton de réglage pour entrer le point de réglage en mémoire.

4. Régler la MINUTERIE sur *RESTE EN MARCHE*. Le processus de cuisson marche automatiquement.

Quand la température à coeur choisie est atteinte, un ronfleur se fait entendre et l'appareil s'arrête automatiquement.

La température et le mode peuvent être changés à tout moment en cours de cuisson.

5. Arrêter l'appareil en mettant tous les interrupteurs sur *ARRÊT*.

REMARQUE: Lors du réglage de la température interne, être sûr de prévoir la continuation de cuisson après que le rôti est sortit du four.

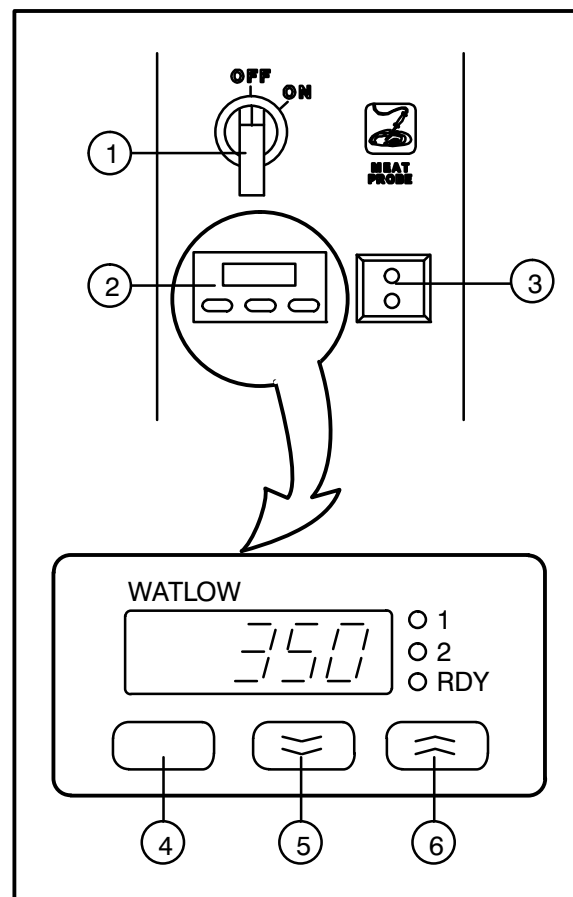


Figure 15



Entretien

Procédure de fonctionnement du pulvérisateur

REMARQUE: Utilisez seulement un produit nettoyant/dégraissant de four commercial avec le pulvérisateur. IL NE FAUT PAS utiliser de produit chimique qui n'est pas conçu pour nettoyer les fours. Reportez-vous aux informations du fabricant du produit chimique pour son emploi anticipé.

1. Dévissez la tête de pulvérisation et remplissez le contenant jusqu'au repère MAX. Vissez fermement la tête de pulvérisation pour former un joint étanche. Le liquide doit être propre et exempt de toute impureté. Ne pas trop remplir, car il doit y avoir de l'espace pour l'air comprimé.
2. Pour accroître la pression, pompez environ 20 coups une fois le contenant rempli de liquide. Plus la pression est forte, plus les gouttes seront fines. Si le contenant est rempli à moitié, il vous faudra pomper davantage pour comprimer l'air supplémentaire.
3. Pour pulvériser, appuyez du pouce sur le déclencheur.
4. Ajustez la tête de pulvérisation pour pulvériser sur une grande largeur.
5. Au bout d'un certain temps de pulvérisation, la pression diminue. Rétablissez la pression en actionnant la pompe à air.
6. À la fin, détendez la pression en inversant la tête de pulvérisation et en appuyant sur le déclencheur ou en dévissant lentement la tête de pulvérisation pour laisser l'air d'échapper par l'ouverture de remplissage.
7. Après une utilisation, rincez le pulvérisateur à l'eau propre et vérifiez que le trou du gicleur est totalement propre et net. Utilisez à cette fin une eau tiède (et non chaude) et un détergent domestique.

REMARQUE: Pour obtenir de plus amples renseignements, consultez le livret d'instructions fourni avec le pulvérisateur.



ATTENTION !!

Portez des lunettes et des vêtements protecteurs lorsque vous utilisez des produits de nettoyage.

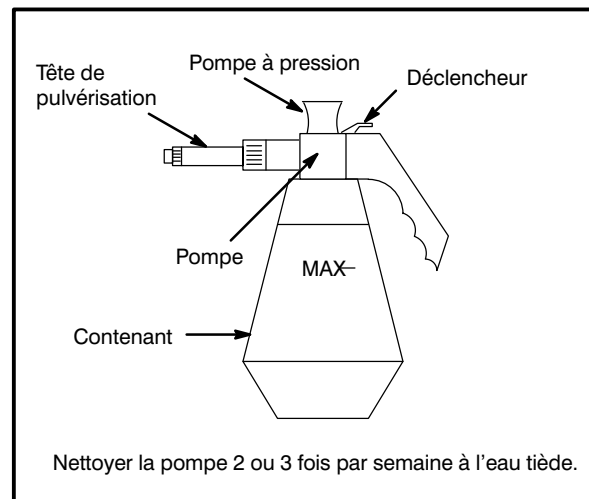


Figure 16

Pulvérisateur complet – numéro de pièce R0006

Trousse de réparation
de la tête de
pulvérisateur –

numéro de pièce R6332



Nettoyage et entretien préventif

NETTOYAGE DE L'INTÉRIEUR

Nettoyage quotidien

Le nettoyage quotidien du four est essentiel pour respecter les conditions sanitaires minimales et éviter les problèmes de fonctionnement. La cavité en acier inoxydable peut corroder si le four n'est pas adéquatement nettoyé. Utilisez un détergent pour four conjointement au pulvérisateur fourni.

Pour le nettoyage de taches tenaces, laissez agir plus longtemps le détergent à vaporiser avant de procéder au rinçage.

1. **Laissez refroidir le four** à 60°C (140°F) ou, si le four n'était pas utilisé, activez le mode d'injection de vapeur pendant 3 ou 4 minutes afin de réchauffer les surfaces de la cavité.
2. Remplissez le pulvérisateur et pompez de l'air dans le contenant au moyen de la pompe à pression.
3. Pulvériser l'intérieur du four avec la solution de nettoyage. Assurez-vous de vaporiser la solution de nettoyage à travers la garde de ventilateur pour couvrir toutes les surfaces.

REMARQUE: Ne pulvériser jamais de l'eau dans le four lorsque la température est supérieure à 100°C (212°F).

4. Laissez le nettoyant agir pendant la période recommandée par son fabricant.
5. Réglez la minuterie entre 15 et 20 minutes.
6. Réglez le sélecteur de mode sur la position Steam (vapeur). Ceci permet de ramollir tous les résidus calcinés.
7. Rincez l'intérieur du four à l'eau (vous pouvez utiliser un tuyau d'arrosage, mais veillez à n'arroser que l'intérieur du four). Essuyez l'intérieur après le rinçage.
8. La porte doit être gardée un peu ouverte après le nettoyage. Cela permettra au four de s'aérer et d'accroître la durée de vie utile du joint de la porte.

Dans le cas d'une cavité en acier inoxydable, enlevez les dépôts d'éclaboussures, d'huile, de gras-

se et la décoloration légère avec un bon nettoyeur industriel non toxique adapté à l'acier inoxydable. Appliquez le produit lorsque le four est froid et frottez toujours dans le sens du grain du métal. Vous pouvez nettoyer les grilles, les supports et la roue du ventilateur à l'intérieur du four même ou les en retirer et les faire tremper dans une solution d'ammoniaque et d'eau.

REMARQUE: N'EMPLOYEZ PAS des nettoyants corrosifs non prévus pour le nettoyage des fours sur votre four COMBI.

Nettoyants recommandés:

- a.) ECOLAB Greasecutter Plus
- b.) CELLO EZ Clean
- c.) Diversey-Lever Advance Oven Cleaner

Nettoyage hebdomadaire du four B14 Boilerless

En plus du nettoyage quotidien, il est nécessaire de nettoyer derrière la garde de ventilateur de ce four chaque semaine. Ce nettoyage est nécessaire pour le bon fonctionnement du four. Du tartre s'accumulera sur le ventilateur et les échangeurs thermiques, ce qui rendra le four moins efficace.

1. Arrêtez le four. Assurez-vous que le four est refroidi à 60°C (140°F).
2. Enlevez les deux vis du côté gauche de la garde de ventilateur.

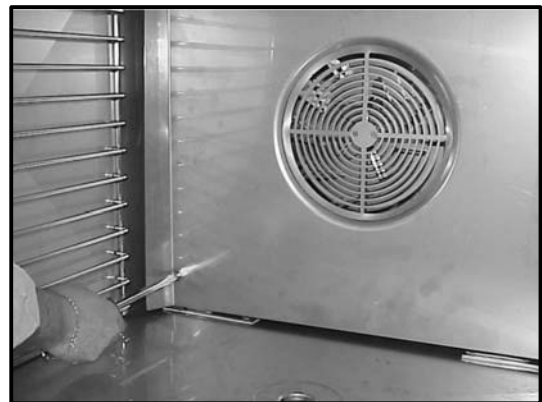


Figure 17



Entretien

Nettoyage et entretien préventif

3. Tournez la garde de ventilateur dehors



Figure 18

4. Vaporisez à fond la solution de nettoyage sur le ventilateur et les tuyaux de l'échangeur thermique et l'arrière de la murette. Fermez la porte pour laisser la solution de nettoyage faire son travail.



Figure 19

5. Après dix minutes, rincez la solution de nettoyage. Remettez la garde de ventilateur en position fermée. Insérez les deux vis pour fixer la garde de ventilateur.

Enlevez et nettoyez la roulette de soufflante tous les 6 mois.

Indicateur "CLEAN OVEN" du B14 Boilerless

L'indicateur "CLEAN OVEN" informe l'utilisateur que le four a été en service pendant une période préprogrammée et il est temps de le nettoyer. Il est nécessaire de complètement nettoyer l'intérieur en raison des minerais de l'eau qui s'accumuleront. Le propre nettoyage prolongera la vie de votre four.

Une fois que l'intérieur de four a été nettoyé l'indicateur "CLEAN OVEN" doit être remis à zéro. Pour le remettre à zéro:

1. Placez le four en état de Vapeur (STEAM).
2. Pressez et maintenez le bouton "STEAM ON DEMAND" jusqu'à ce que l'indicateur clignote rapidement.
3. Quand l'indicateur cesse de clignoter laissez le bouton.
4. Le four a été remis à zéro et va compter le temps jusqu'au prochain nettoyage.

NETTOYAGE DE L'EXTÉRIEUR

Vous pouvez nettoyer l'extérieur de l'appareil et le maintenir en bon état au moyen d'une huile légère. Imbibez un chiffon et frottez l'appareil lorsqu'il est froid, puis essuyez avec un chiffon propre et sec.



ATTENTION !!

NE PULVÉRISEZ PAS l'extérieur de l'appareil avec de l'eau et ne le nettoyez pas au moyen d'un jet d'eau. Nettoyer à l'aide d'un jet d'eau peut imprégner les chlorures dans l'acier inoxydable, entraînant la formation de corrosion.

ENTRETIEN PRÉVENTIF

Les meilleures mesures d'entretien préventif sont une mise en service initiale du four appropriée et un programme régulier de nettoyage. Le four-étuveur n'exige aucune lubrification. Communiquez avec le fabricant, son représentant ou l'entreprise locale d'entretien des produits Combi de Blodgett pour effectuer l'entretien et les réparations, le cas échéant.



Détartrage

REMARQUE: Les procédures ci-dessous s'appliquent uniquement aux modèles BC14E et BC14G.



AVERTISSEMENT !!

Les solutions de détartrage sont dangereuses et peuvent causer des brûlures de la peau et des yeux. Portez des vêtements et des lunettes de protection pour détartrer l'appareil.

Le détartrage du générateur de vapeur constitue la procédure de maintenance préventive la plus importante. Le tartre se dépose à l'intérieur du générateur de vapeur, ce qui réduit son efficacité et endommage le système de contrôle de niveau.



AVERTISSEMENT !!

Les problèmes causés par le détartrage insuffisant ne sont pas couverts par la garantie.

Ce four est fourni avec un voyant de détartrage pour indiquer le moment où le générateur de vapeur doit être détartré. Le voyant de détartrage clignote lorsque le générateur de vapeur a été utilisé pendant la période préréglée. Le clignotement du voyant de détartrage n'empêche pas de faire marcher le four, car vous pouvez utiliser le four normalement lorsque ce voyant clignote. Cela vous permet de choisir le moment opportun pour commencer le processus de détartrage.

REMARQUE: Pour empêcher les dépôts supplémentaires de tartre, ce four vide automatiquement le générateur de vapeur au bout de 5 heures d'arrêt.



AVERTISSEMENT !!

Le four doit être mis dans le mode de refroidissement pendant 1 minute avec la porte ouverte avant de commencer le processus de détartrage. Une fois que le processus a commencé, le four ne peut pas être utilisé tant qu'il n'est pas terminé. La durée totale du processus est d'environ 45 minutes.



Entretien

Détartrage

DÉTARTRAGE SANS L'OPTION DE POMPE DE DÉTARTRAGE ÉLECTRIQUE

REMARQUE: Les procédures ci-dessous s'appliquent uniquement aux modèles BC14E et BC14G.

REMARQUE: Le voyant de détartrage doit clignoter pour commencer ce processus.

1. Assurez-vous que le réservoir de solution de détartrage est rempli avec un agent de détartrage **non dilué** tel que "Lime Away" de Eco-Labs ou "Lime Out" de US Chemical.
2. Retirez le bouchon de l'appareil. Connectez l'extrémité du tuyau de pompe à l'orifice de détartrage. Voir la Figure 20.
3. Pompez l'agent de détartrage dans l'appareil en tirant complètement, puis en poussant vers le bas, la manette de la pompe. Chaque mouvement vers le haut, puis vers le bas, cor-

respond à un (1) pompage. Utilisez le tableau ci-dessous.

Modèles	Onces (pompage)
BC14E	16 onces (1 pompage)
BC14G	16 onces (1 pompage)

4. Assurez-vous que la porte est ouverte.
5. Mettez le four dans le mode de **refroidissement**. Enfoncez, puis relâchez, le **bouton de vapeur sur demande**. Le voyant de détartrage clignote plus rapidement, pour indiquer cette action.
6. Arrêtez le four.

Le reste de la procédure est automatique. Le voyant de détartrage reste allumé pendant que le processus est en cours. Lorsque le processus est terminé, le voyant de détartrage s'éteint, ce qui indique que le four peut être utilisé normalement.

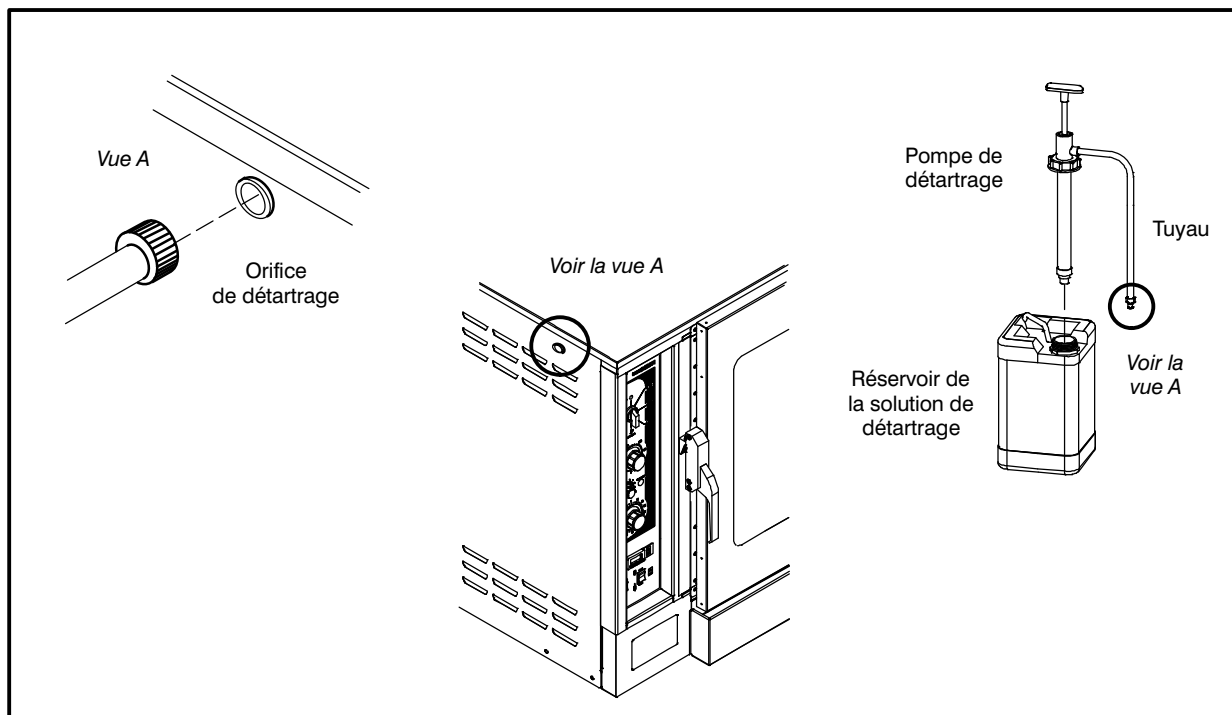


Figure 20

**AVERTISSEMENT !!**

Si la cavité du four est chaude, il faut mettre le four dans le mode de refroidissement pendant 1 minute avec la porte ouverte avant de commencer le processus de détartrage. Une fois que le processus a commencé, le four ne peut pas être utilisé tant qu'il n'est pas terminé. La durée totale du processus est de 45 minutes environ.

INSTALLATION DE LA POMPE DE DÉTARTRAGE

1. Attachez la console pour retenir la pompe au dos du four à l'aide de quatre vis #10-24 et rondelles d'arrêt. S'il s'agit d'une pile de deux fours, attachez la console sur celui du bas.
2. Attachez la pompe ou les pompes à la console. Alignez les deux trous rectangulaires dans le boîtier de la pompe avec les deux pattes sur la console. Glissez la pompe vers le bas pour engager les pattes dans les trous. Il peut être nécessaire de forcer les pattes légèrement avec un tournevis pour pouvoir les engager dans le boîtier. Attachez le dessous de chaque pompe à la console à l'aide de deux vis #10-24 et rondelles d'arrêt.

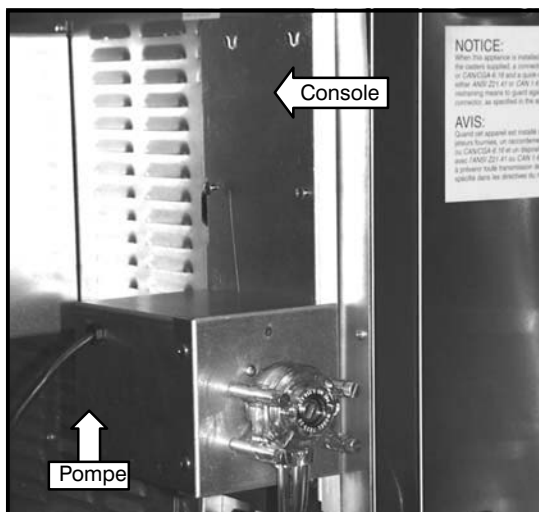


Figure 21

3. Mettez le réservoir du fluide de carbonatation à sa place relativement à la pompe, aussi près que possible, et mesurez la longueur de tuyau nécessaire pour aller depuis l'entrée de la pompe jusqu'au fond du réservoir. Coupez cette longueur de tuyau fourni et attachez-la à la pompe à l'aide d'un raccord à pointes et un collier de serrage. Au besoin, répétez pour la deuxième pompe.



Figure 22



Entretien

Détartrage

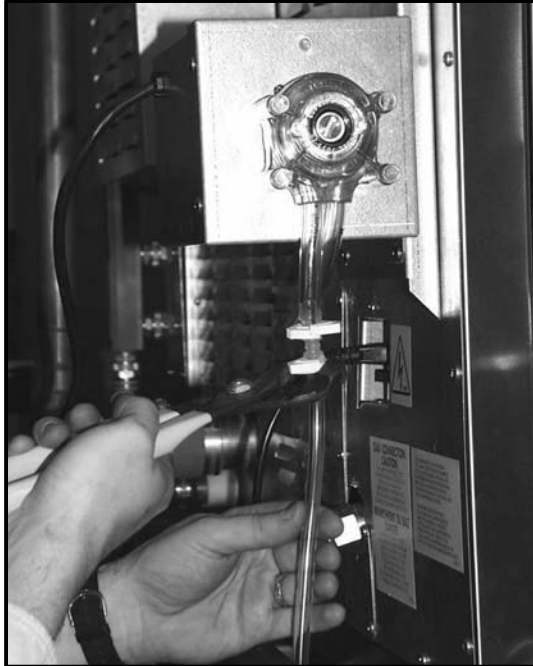


Figure 23

4. Dévissez le bouchon d'entrée à l'arrière du four. Installez un raccord fileté à pointes dans l'entrée du four.

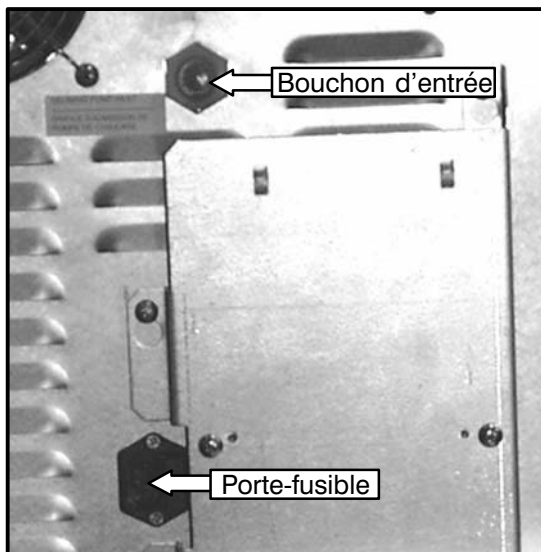


Figure 24

5. Attachez un bout du tuyau fourni à la sortie de la pompe à l'aide d'un raccord à pointes et un collier de serrage. Posez le tuyau jusqu'à l'entrée du four de façon à éviter tout contact avec les surfaces chaudes, telles que le tuyau d'évacuation des fumées. Coupez le tuyau à la longueur qui convient et attachez-le au raccord d'entrée à l'aide d'un collier de serrage. Au besoin, répétez les actions 3 et 4 pour la deuxième pompe.



Figure 25

6. Retirez le porte-fusible de la prise de courant à l'arrière du four ou des fours. Insérez les fusibles fournis. Réinstallez le porte-fusible. Branchez le câble de chaque pompe sur la prise de courant à l'arrière de chaque four. Veillez à ce que vous connectiez chaque pompe au même four auquel son tuyau est connecté.

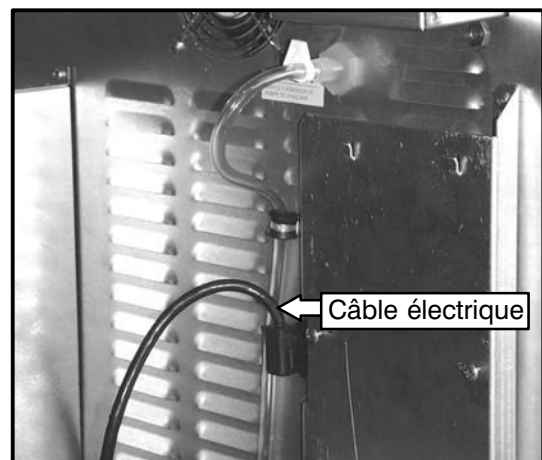


Figure 26



Détartrage

7. Remplissez le réservoir à solution avec l'agent de carbonatation non-dilué, tel que Lime-Away produit par Eco-Labs ou Lime-Out de US Chemical.
8. Pour amorcer le tuyau d'alimentation, mettez le four en mode **COOL DOWN** (REFROIDIR), poussez et retenez le bouton **ON DEMAND STEAM** (VAPEUR SUR DEMANDE). Relâchez le bouton une fois que le fluide a passé par le tuyau et est arrivé à l'arrière du four.

DÉTARTRAGE AVEC L'OPTION DE POMPE DE DÉTARTRAGE

REMARQUE: Les procédures ci-dessous s'appliquent uniquement aux modèles BC14E et BC14G.

REMARQUE: Le voyant de détartrage doit clignoter pour pouvoir commencer ce processus.

1. Assurez-vous que le conteneur fournissant l'agent de détartrage à l'appareil est plein.
2. Assurez-vous que la porte est ouverte.
3. Mettez le four dans le mode de **refroidissement**. Enfoncez, puis relâchez, le bouton de **vapeur sur demande**. Le voyant de détartrage reste clignote plus rapidement, pour indiquer cette action.
4. Arrêtez le four.
5. Le reste de la procédure est automatique. Le voyant de détartrage reste allumé pendant que le processus est en cours. Lorsque le processus est terminé, le voyant de détartrage s'éteint, ce qui indique que l'appareil peut être utilisé normalement.



Entretien

Détartrage

RÉGLAGE DE L'INTERVALLE DE DÉTARTRAGE

Reportez-vous à la Figure 27 pour déterminer l'intervalle de détartrage approprié à votre appareil. Cherchez votre lieu et le réglage correspondant du potentiomètre. Ces valeurs sont génériques, et doivent être utilisées uniquement comme guide. La qualité de l'eau que vous utilisez peut être plus

ou moins calcaire. Ajustez l'intervalle de détartrage en fonction de la qualité de l'eau utilisée.

REMARQUE: Si le four est connecté à un système de filtration, la dureté de l'eau peut être réduite. Consultez le fournisseur du filtre pour obtenir des détails.

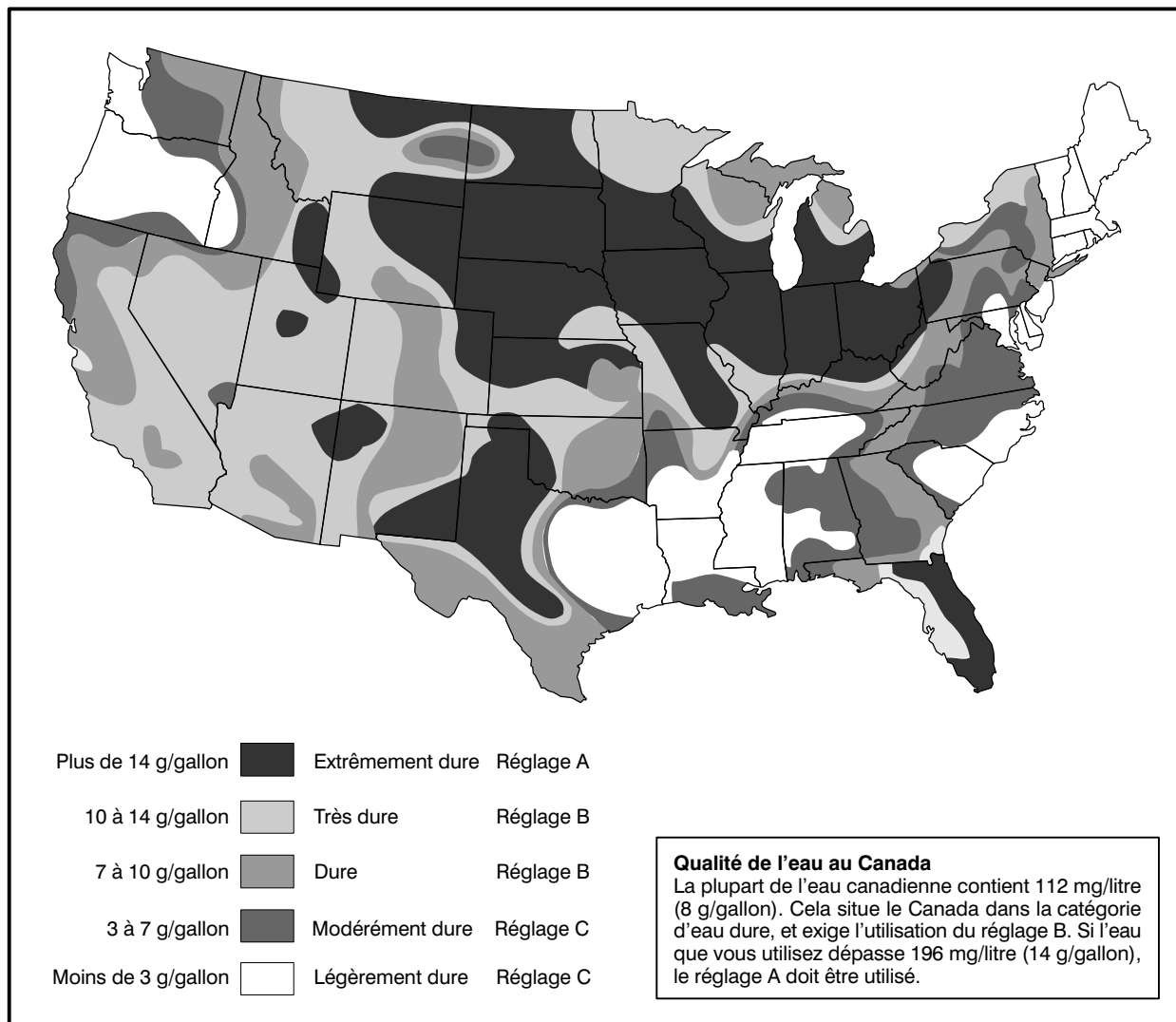


Figure 27



Pour régler l'intervalle de détartrage :

1. Mettez l'appareil hors tension.
2. Retirez les deux vis situées sur le panneau latéral. Glissez le module de commande vers l'avant. Voir la Figure 28.
3. Amenez le potentiomètre sur le réglage nécessaire. Voir la Figure 29.
4. Remettez en place le module de commande et les deux vis.
5. Mettez l'appareil sous tension.

Un ordinateur PC peut être branché à la mise sous tension de l'appareil pour vérifier le réglage du potentiomètre. La ligne d'état "L'intervalle de détartrage est x heure(s) de marche du générateur de vapeur." indique 30, 60 ou 90. Reportez-vous à la Figure 31 de la page 84.

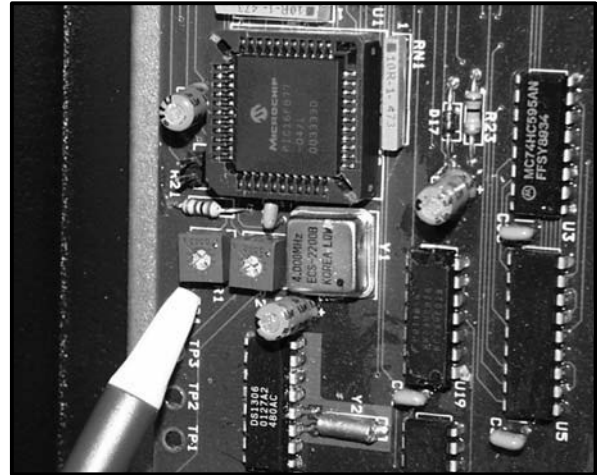


Figure 29

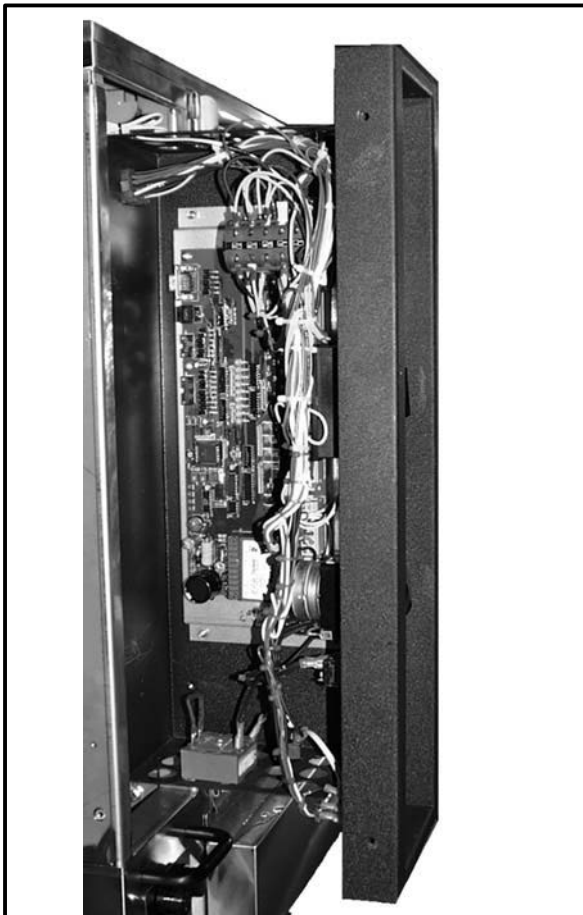


Figure 28

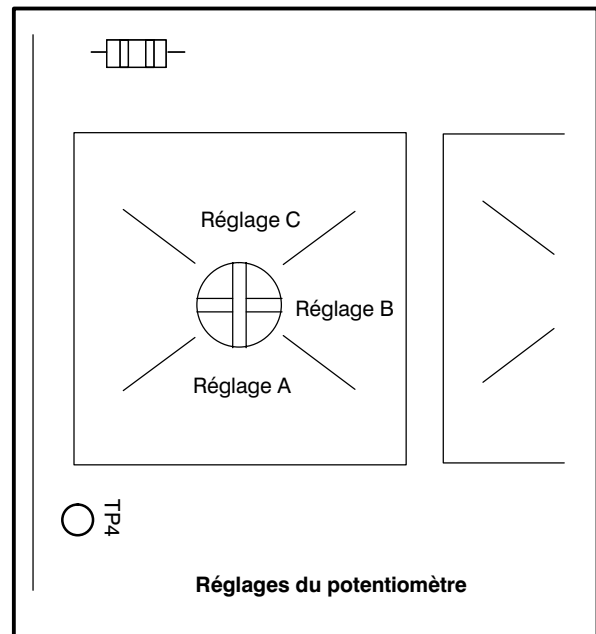


Figure 30



Entretien

Communications

Le four est équipé d'un port de communication sériel RS-232 situé à l'intérieur du panneau de commande. Un ordinateur portable peut être utilisé pour visualiser des informations concernant cer-

tains paramètres de l'appareil, y compris son historique de détartrage. Une vue d'écran typique est montrée ci-dessous.

```

Software (c) 2002 Blodgett
Blodgett Combi BC-2 Control

ROM Saved Data
=====
Version -> 3
Model -> 0
Startup Date-> 25
Startup Month -> 6
Startup Year -> 2
Low Volt -> 37
High Volt -> 80
Steam Time(sec) -> 16384
SD Time(sec) -> 457
CNV Time(sec) -> 239087
Combi Time(sec)-> 71870
Heat DMD events -> 0378956
Current time -> 11h : 22m : 10s
Current date -> 26 day 6 month 2 year
Total delimiting events -> 3
Steam has been run -> 21 hour(s) 52 min(s) 8 sec(s) since last delimiting.
Next delimiting in approximately 3 hour(s) of Steam Generator run time.
Delimiting interval is 24 hour(s) of Steam Generator run time.

Delimiting History
=====
Last address 5 and state 0
Event no. 1 on 25 day 5 month 2 year
Event no. 2 on 23 day 6 month 2 year
Event no. 3 on 21 day 7 month 2 year
Event no. 4 on 0 day 0 month 0 year
Event no. 5 on 0 day 0 month 0 year

Explanation of output

Version -                Software version.
Model -                  1= Gas oven, 0 = Electric oven.
Startup Date, Month, Year - Date oven was started up.
Low Volt,High Volt -    Power supply fluctuations.
Steam Time -            Time in second's oven has used Steam Mode.
SD Time -               Time in second's oven has used in On Demand Steam mode.
CNV Time -              Time in second's oven has used Hot Air Mode.
Combi Time -            Time in second's oven has used in Combi Mode.
Heat DMD events -      Total number of heat demand events.
Current time, Current date - Current date and time.
Total delimiting events - Total number of times oven has been delimited.
Steam has been run -> -  How long steam generator has been run since last delimiting.
Next delimiting.. -     Approximately next time steam generator will need a delimiting.
Delimiting interval ..- Hours the steam generator will run between delimiting events.
Delimiting History -    The last 52 events will be printed out. If an event has not occurred, a 0 will be
                        used. Last address and state are used to record the last delimiting state in
                        case of power fail during the process. Normally, state should be 0.

```

Figure 31



Pour connecter un ordinateur portable au four (système d'exploitation Windows de Microsoft)

1. Débranchez l'appareil de la source d'alimentation électrique.
2. Retirez (2) vis et glissez le panneau de commande vers l'avant. Voir la Figure 32.
3. Initialisez l'ordinateur.
4. Raccordez un câble série standardisé au port série de l'ordinateur portable et au port série à 9 broches situé sur la carte à circuit imprimé dans la zone de commande. Voir la Figure 33.
5. Lancez un programme de communication tel que "Hyperterminal" en sélectionnant Démarrage ----> Programmes----> Accessoires----> Hyperterminal----> HyperTerminal.
6. Entrez un nom pour la connexion et sélectionnez une icône, sélectionnez OK.
7. Cliquez sur "Connecter avec" et sélectionnez le port COM utilisé par le câble série. Sélectionnez OK.
8. Configurez les paramètres ci-dessous, puis cliquez sur OK.
 - a.) Bits par seconde : **9600**
 - b.) Bits de donnée : **8**
 - c.) Parité : **aucune**
 - d.) Bits d'arrêt : **1**
 - e.) Contrôle de débit : **Aucun**

Pour visualiser les données :

Pour visualiser les données de sortie, l'appareil doit être débranché de la source d'alimentation pendant 10 secondes, puis il doit être remis sous tension. Les données sont alors affichées dans la fenêtre du terminal. Des données sont aussi affichées pendant le processus de démarrage. Chaque état est affiché à l'écran, accompagné du compte à rebours du nombre de secondes restant dans l'état en cours.

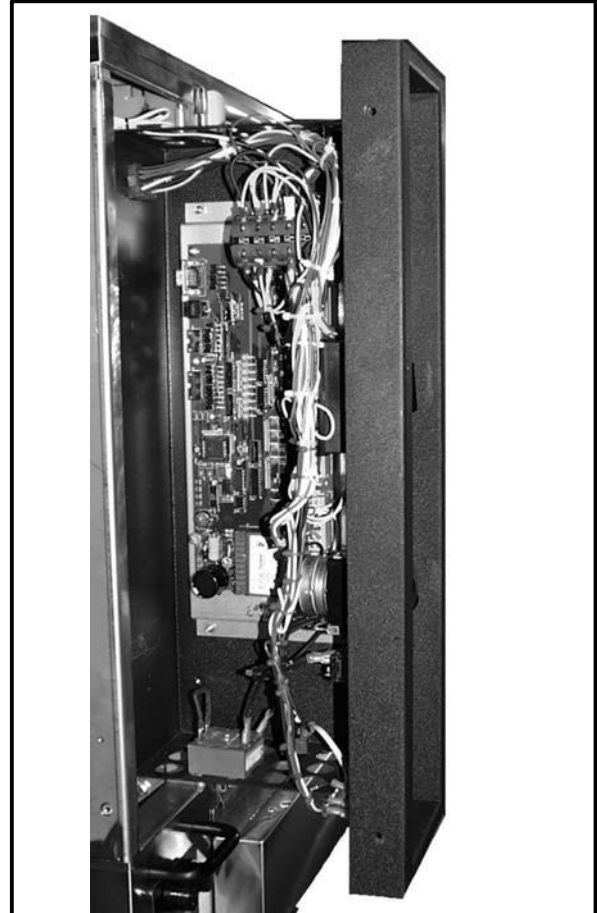


Figure 32

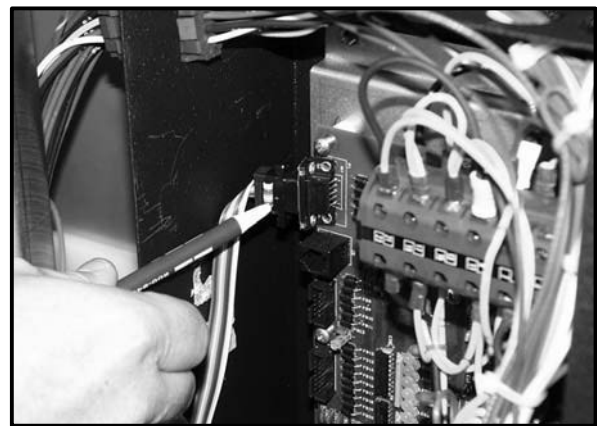


Figure 33

**INSERT
WIRING DIAGRAM
HERE**

**PLACER
SCHÉMA DE CÂBLAGE
ICI**