



**BCM, BCP & BCT
COMBI OVEN
REPLACEMENT PARTS LIST**

EFFECTIVE MARCH 28, 2019

Superseding All Previous Parts Lists.

The Company reserves the right to make substitution in the event that items specified are not available.

ERRORS: Descriptive and/or typographic errors are subject to correction.

BLODGETT OVEN COMPANY

42 Allen Martin Drive, Essex Junction, Vermont 05452 USA Telephone: (802) 658-6600 Fax: (802) 860-3732
www.blodgett.com

P/N 60870 Rev AP

SERIAL NUMBER LOCATION KEY:

IMPORTANT: When ordering parts, please provide the model, voltage or gas type and serial number of the oven. The identification plate is located on the right side of the oven.

SERIAL NUMBER IDENTIFICATION CODE:

ELECTRIC MODELS W/STEAM GENERATOR

61E - AL

62E - AI

101E - AM

102E - AN

202E - AR

BOILERLESS ELECTRIC MODELS

61E - AO

62E - BV

101E - AV

102E - AY

202E - AZ

BOILERLESS GAS MODEL_s

61G - AS

62G - BY

101G - AT

102G - AU

202G - AW

SERIAL NUMBER EXAMPLE:

THE FOLLOWING EXAMPLE IS FOR A BCT-101E, BCP-101E OR BCM-101E

0612 AM 1820112
06/12 = MONTH & YEAR
AM = LETTER CODE FOR MODEL NAME
1820101 = FACTORY SEQUENCE

TO OBTAIN LITERATURE

Email: literature@blodgett.com

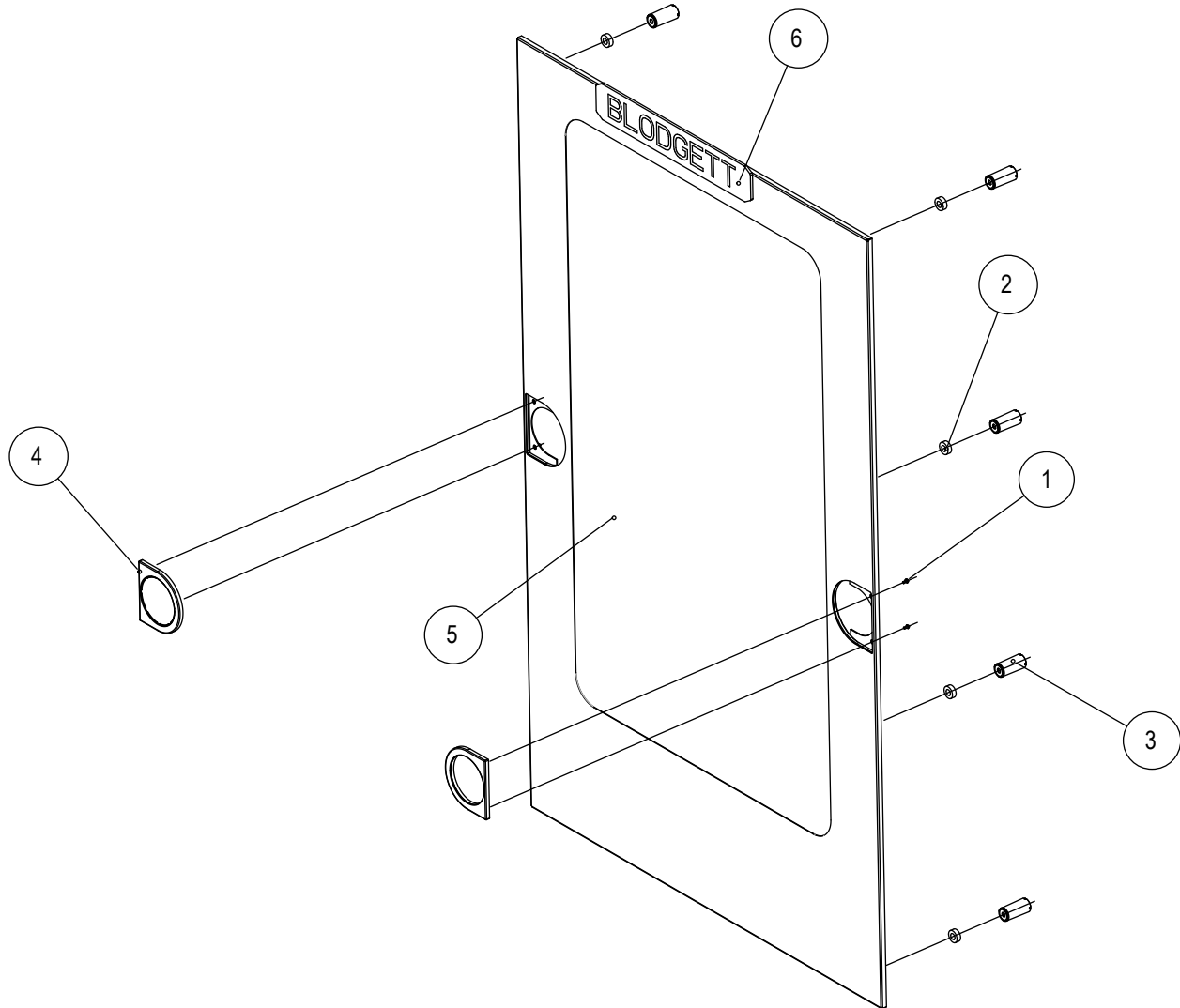
or visit

www.blodgett.com

TABLE OF CONTENTS

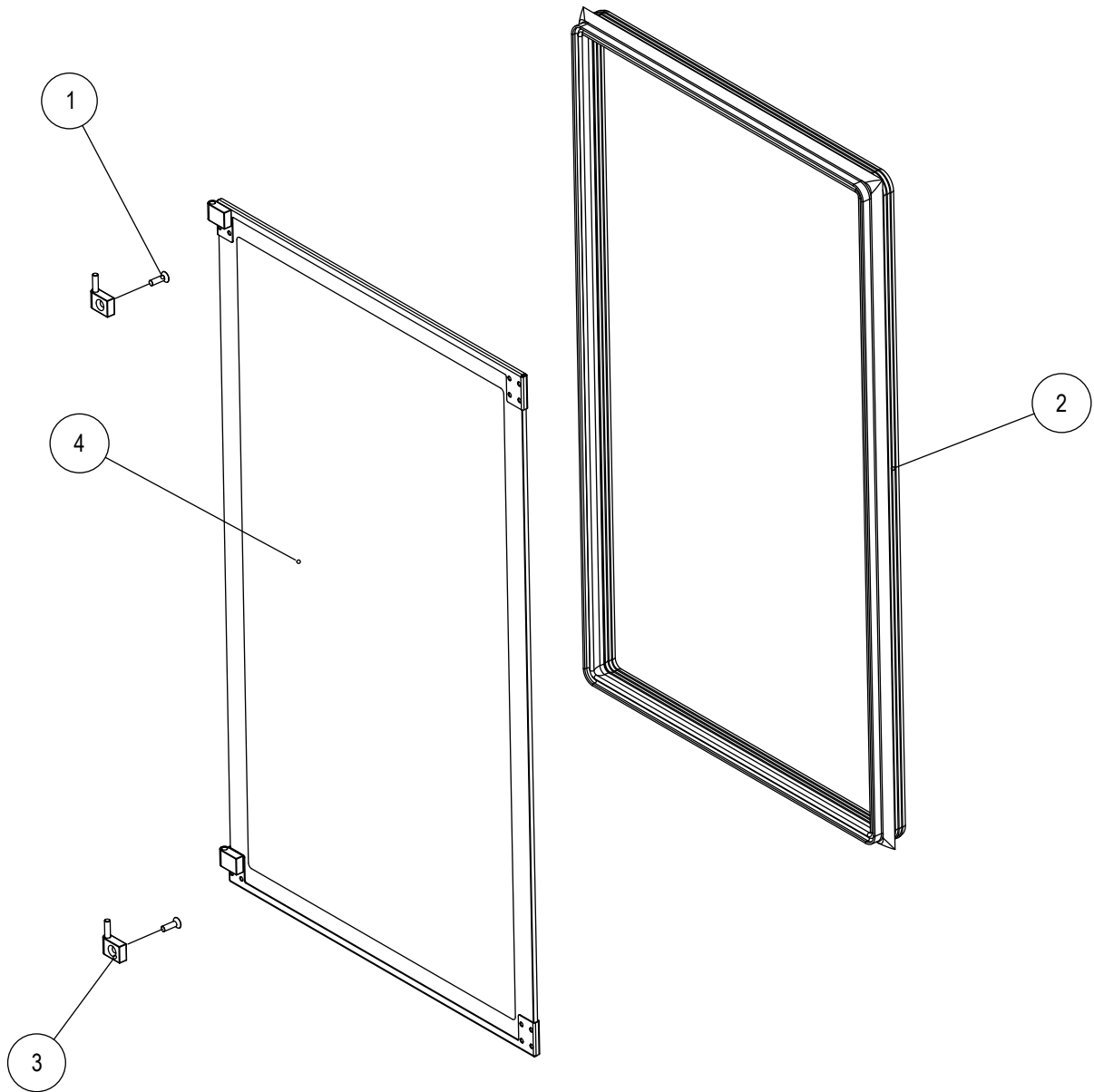
Glass exterior.....	4	Combiwash.....	37
Glass interior with door seal.....	5	Combiwash pumps and solenoid valves.....	38
Left door.....	6	Combiwash canister storage.....	39
Right door.....	7	Optional extraction hood.....	40
Left door - 202 roll-in ovens.....	8	Condenser for extraction hood - baking models.....	41
Right door - 202 roll-in ovens.....	9	Condenser for extraction hood - cooking models.....	42
Door hinge reversal kit.....	10	Water seal for condenser.....	43
Sensor for left and right hand hinged doors.....	11	Booster pump, Combiwash.....	44
Handle for oven door.....	12	Optional fat separator.....	45
Drip slide - standard & passthrough ovens.....	13	Interceptor trays.....	46
Drip tray / drip tray, deep, without drain / drain.....	14	Racks.....	47
Drip tray / drip tray deep, without drain, passthrough ..	15	Roll-in racks.....	48
Exterior components.....	16	Stacking kit, 61-61 & 61-101.....	49
Rear panel - passthrough ovens.....	17	Stacking kit, 62-62 & 62-102.....	50
Interior lights.....	18	Complete stacking kits (includes stand).....	51
Motor, heating elements.....	19	Stands for double ovens.....	51
Motor, heating elements - 202 ovens.....	20	Stands for single ovens.....	52
Filter Housing.....	21	Gas, heating coil.....	53
Filter housing - 202 ovens.....	22	Gas components, insulation.....	54
Damper with motor & exhaust.....	23	Venilation - gas ovens.....	55
BCM control.....	24	Electrical components - gas ovens.....	56
BCM-SE control.....	25		
BCP control.....	26		
BCT-SE control.....	27		
Core temperature probe, 3 point.....	28		
Steam generator - 61 ovens.....	29		
Steam generator - 62 & 101 ovens.....	30		
Steam generator - 102 ovens.....	31		
Steam generator - 202 ovens.....	32		
Deliming.....	33		
Electrical Components - Electric Ovens.....	34		
Solenoid valves.....	35		
Water/gas inlet.....	35		
Hand shower.....	36		

GLASS EXTERIOR



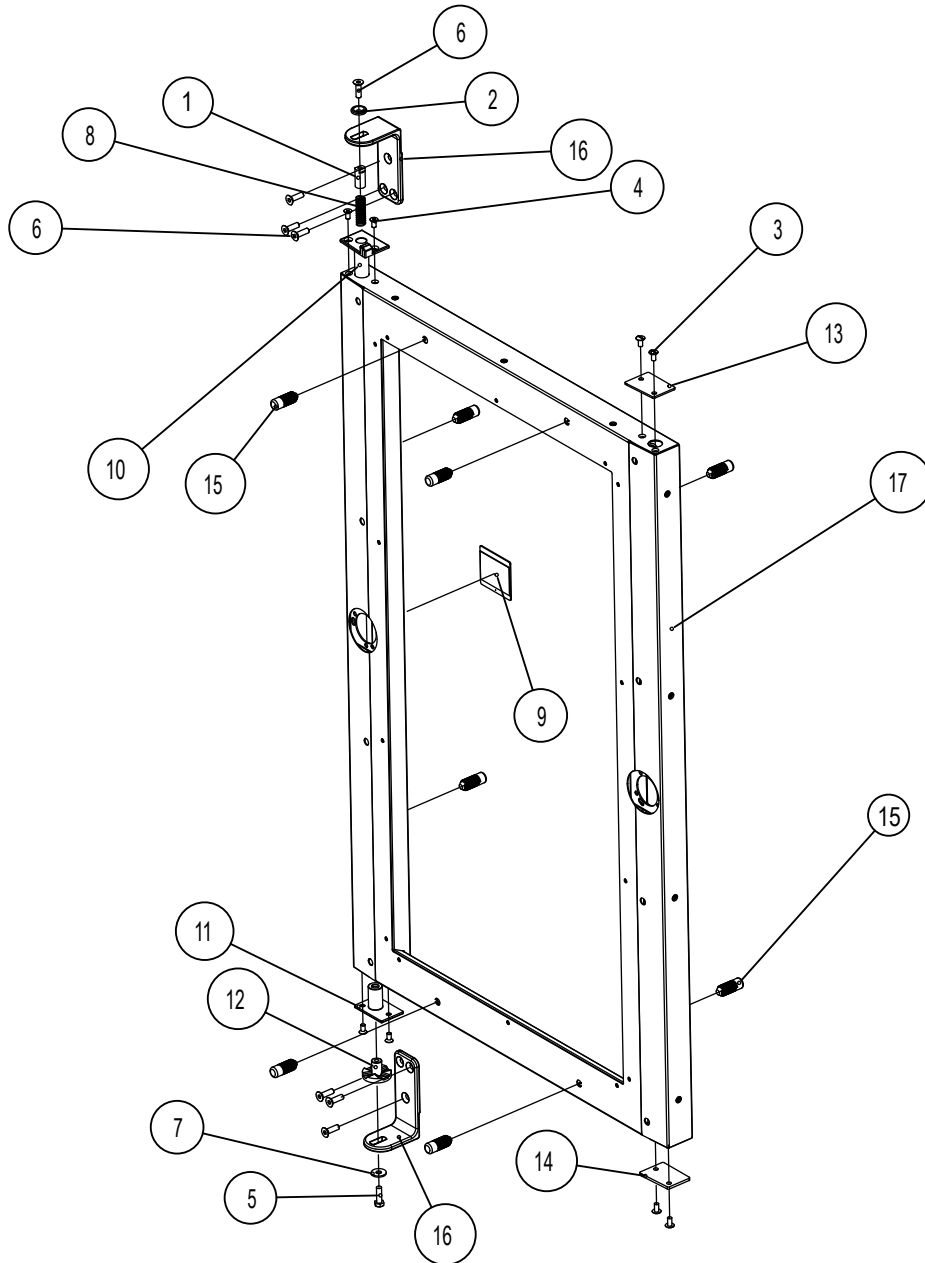
Ref. No.	Part No.	Description	Ref. No.	Part No.	Description
1	60036	Screw PH 2.5 x 4.5	5	60485	Glass exterior 61 assy curved
2	60081	Rubber washer Ø14/Ø7x5mm	5	61255	Glass exterior 62 assy curved
3	60186	Plastic screw for exterior glass	5	60487	Glass exterior 101 assy curved
4	60190	Insert for handle	5	60492	Glass exterior 102 assy curved
5	60501	Glass exterior 61 assy flat	6	61261	Blodgett nameplate
5	60499	Glass exterior 101 assy flat			
5	60502	Glass exterior 102 assy flat			
5	60504	Glass exterior 202 assy flat			
5	61401	Glass exterior 61 swoosh			
5	61402	Glass exterior 101 swoosh			
5	61403	Glass exterior 62 swoosh			
5	61769	Glass exterior 102 swoosh			
5	61883	Glass exterior 202 swoosh			

GLASS INTERIOR WITH DOOR SEAL



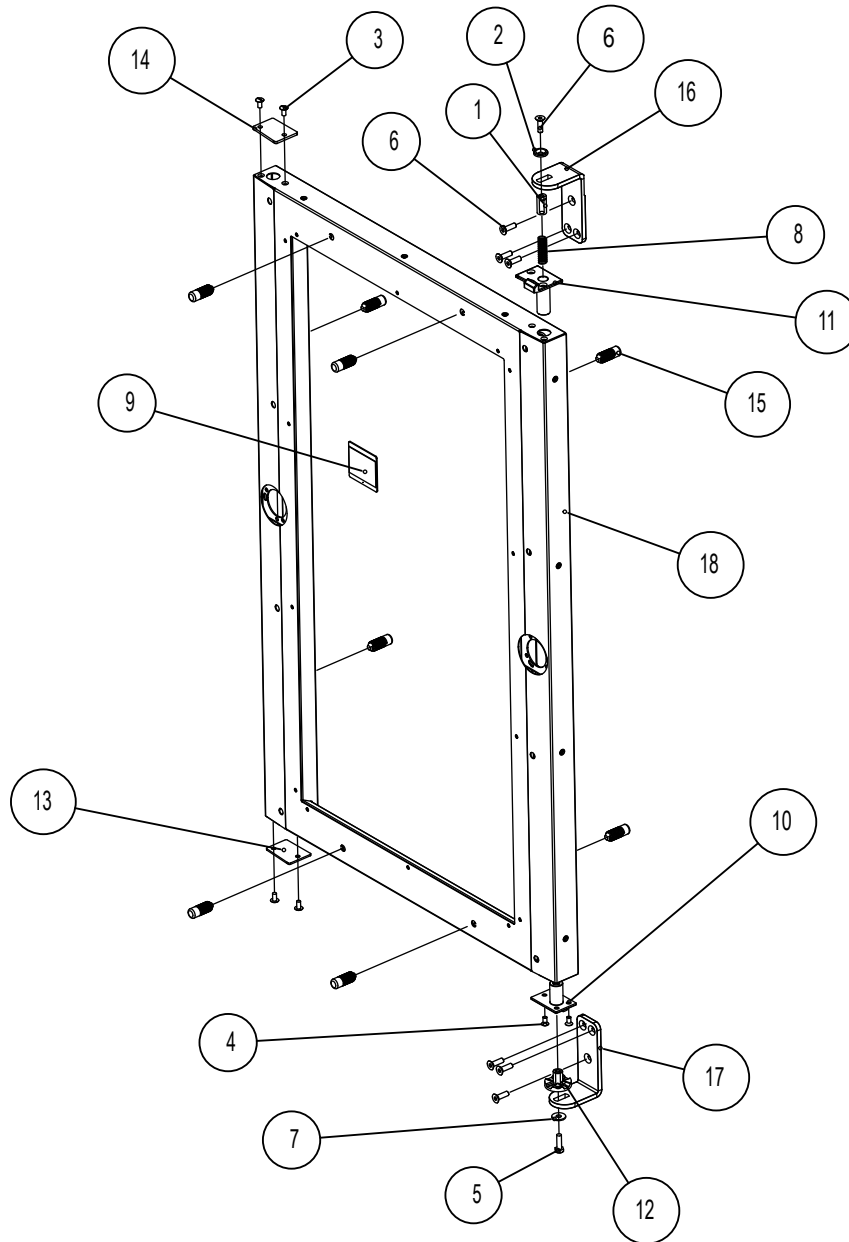
Ref. No.	Part No.	Description
1	60056	Screw M6 x 20
2	61162	Door seal 61
2	61163	Door seal 101
2	61164	Door seal 62
2	61165	Door seal 102
2	60872	Door seal 202
3	60191	Hinge bracket
4	60467	Glass interior 61 complete
4	60466	Glass interior 101 complete
4	61259	Glass interior 62 complete
4	60480	Glass interior 102 complete
4	60496	Glass interior 202 complete

LEFT DOOR



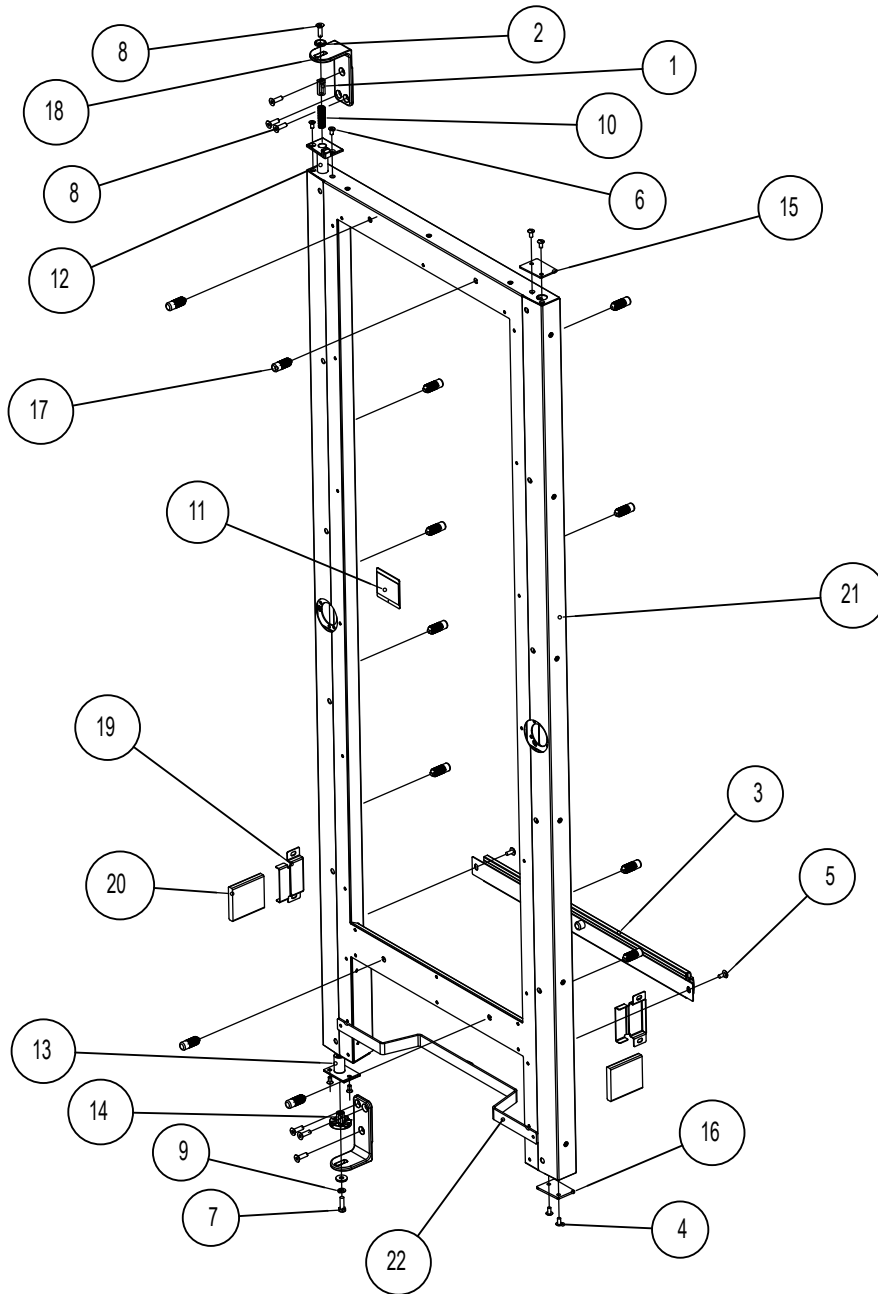
Ref. No.	Part No.	Description	Ref. No.	Part No.	Description
1	6000	Bush	12	60178	Bush for hinge, LH
2	60001	Washer for hinge	13	60181	Cover for hinge, LH
3	60044	Screw FRH M5 x 10	14	60182	Cover for hinge, RH
4	60052	Screw M5 x 10	15	60185	Stopper, rubber
5	60055	Screw, set M6 x 20	16	60421	Hinge top/bottom
6	60056	Screw M6 x 20	17	60439	Oven door 61
7	M0417	Washer spring 6mm	18	60460	Oven door 61, PassThrough
8	60098	Spring for hinge	18	60436	Oven door 101
9	61273	Cover plate	18	60459	Oven door 101, PassThrough
10	60176	Hinge bush, top, LH	18	61266	Oven door 62
11	60177	Hinge bush, bottom	18	60444	Oven door 102
12	60178	Bush for hinge, LH	18	60458	Oven door 202

RIGHT DOOR



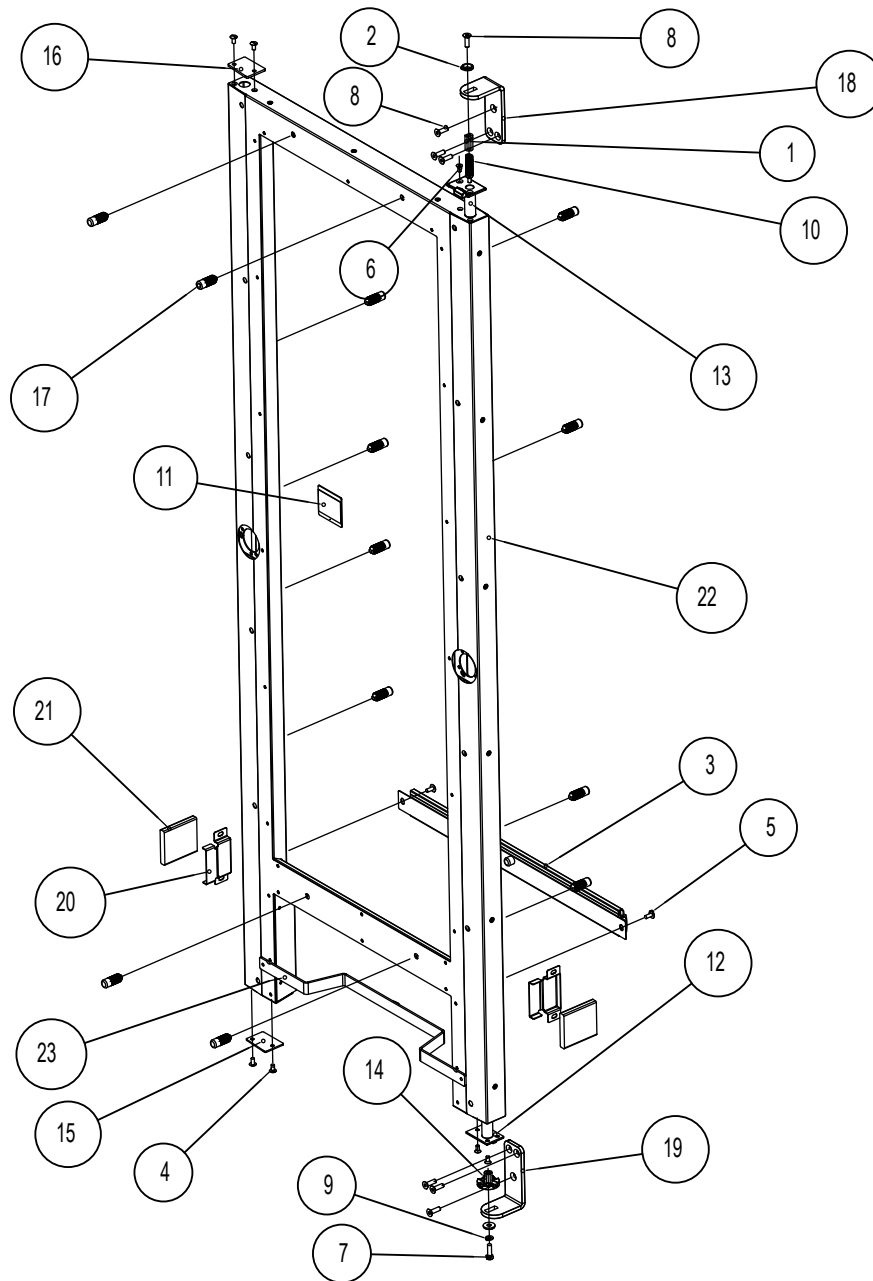
Ref. No.	Part No.	Description	Ref. No.	Part No.	Description
1	60000	Bush	13	60181	Cover for hinge, LH
2	60001	Washer for hinge	14	60182	Cover for hinge, RH
3	60044	Screw FRH M5 x 10	15	60185	Stopper, rubber
4	60052	Screw M5 x 10	16	60434	Hinge upper RH
5	60055	Screw, set M6 x 20	17	60435	Hinge lower RH
6	60056	Screw M6 x 20	18	60439	Oven door 61
7	M0417	Washer spring 6mm	18	60460	Oven door 61, PassThrough
8	60098	Spring for hinge	18	60436	Oven door 101
9	61273	Cover plate	18	60459	Oven door 101, PassThrough
10	60177	Hinge bush, bottom	18	61266	Oven door 62
11	60179	Hinge bush, top, RH	18	60444	Oven door 102
12	60180	Bush for hinge, RH	18	60458	Oven door 202

LEFT DOOR - 202 ROLL-IN OVENS



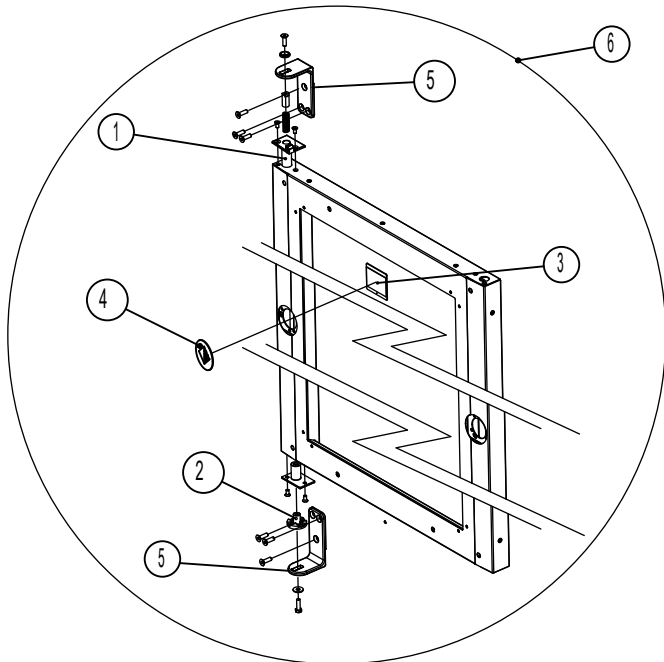
Ref. No.	Part No.	Description	Ref. No.	Part No.	Description
1	60000	Bush	12	60176	Hinge bush, top, LH
2	60001	Washer for hinge	13	60177	Hinge bush, bottom
3	60871	Profile for oven door 202 roll-in	14	60178	Bush for hinge, LH
4	60044	Screw FRH M5 x 10	15	60181	Cover for hinge, LH
5	60046	Screw FRH M5 x 12	16	60182	Cover for hinge, RH
6	60052	Screw M5 x 10	17	60185	Stopper, rubber
7	60055	Screw, set M6 x 20	18	60421	Hinge top/bottom
8	60056	Screw M6 x 20	19	61268	Bracket f seal RI 202
9	M0417	Washer spring 6mm	20	61270	Seal 202 RI
10	60098	Spring for hinge	21	60458	Oven door 202 roll-in welded
11	61273	Cover plate	22	61272	Bracket for magnet 202

RIGHT DOOR - 202 ROLL-IN OVENS

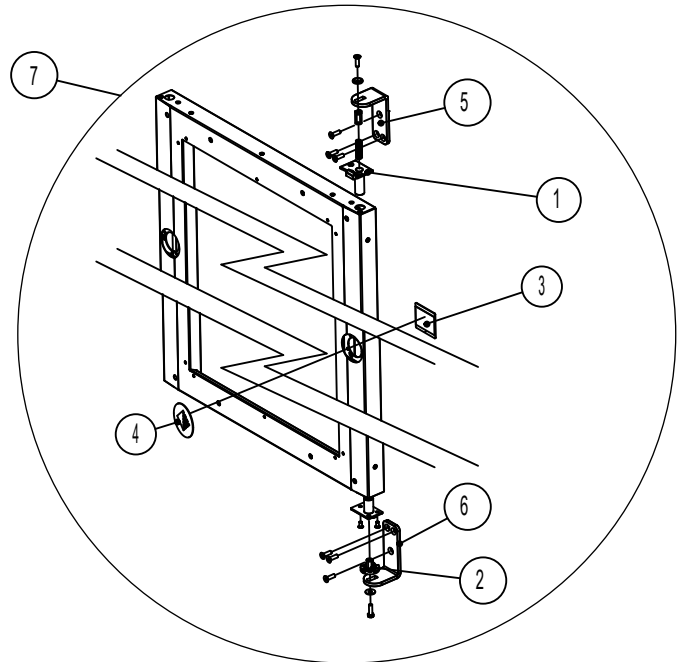


Ref. No.	Part No.	Description	Ref. No.	Part No.	Description
1	60000	Bush	12	60177	Hinge bush, bottom
2	60001	Washer for hinge	13	60179	Hinge bush, top, RH
3	60871	Profile for oven door 2.20 roll-in	14	60180	Bush for hinge, RH
4	60044	Screw FRH M5 x 10	15	60181	Cover for hinge, LH
5	60046	Screw FRH M5 x 12	16	60182	Cover for hinge, RH
6	60052	Screw M5 x 10	17	60185	Stopper, rubber
7	60055	Screw, set M6 x 20	18	60434	Hinge upper RH
8	60056	Screw M6 x 20	19	60435	Hinge lower RH
9	M0417	Washer spring 6mm	20	61268	Bracket f seal RI 2.20
10	60098	Spring for hinge	21	61270	Seal 2.20 RI
11	61273	Cover plate	22	60458	Oven door 2.20 roll-in welded
			23	61272	Bracket for magnet 2.20

DOOR HINGE REVERSAL KIT



RIGHT HAND TO LEFT HAND HINGE

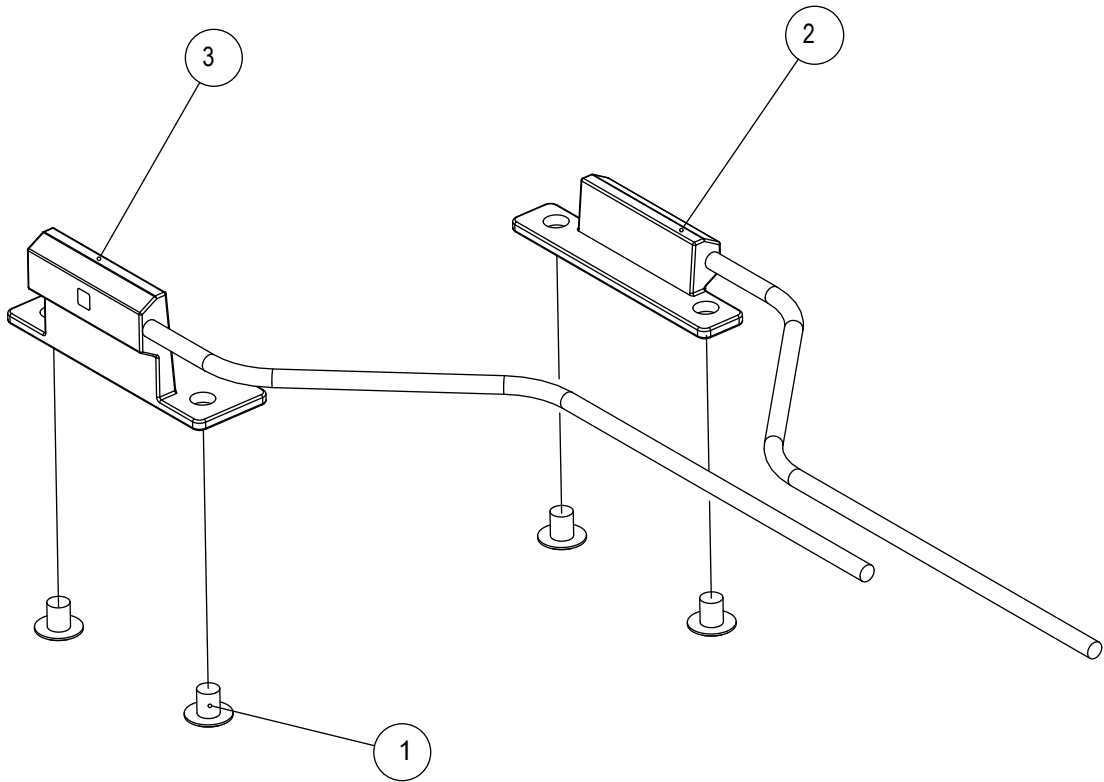


LEFT HAND TO RIGHT HAND HINGE

Ref. No.	Part No.	Description
1	60176	Hinge bush, top, LH
2	60178	Bush for hinge, LH
3	61273	Cover plate
4	60362	Logo for insert
5	60421	Hinge top/bottom
6	60419	Kit for changing ovendoor from RH-hinged to LH-hinged

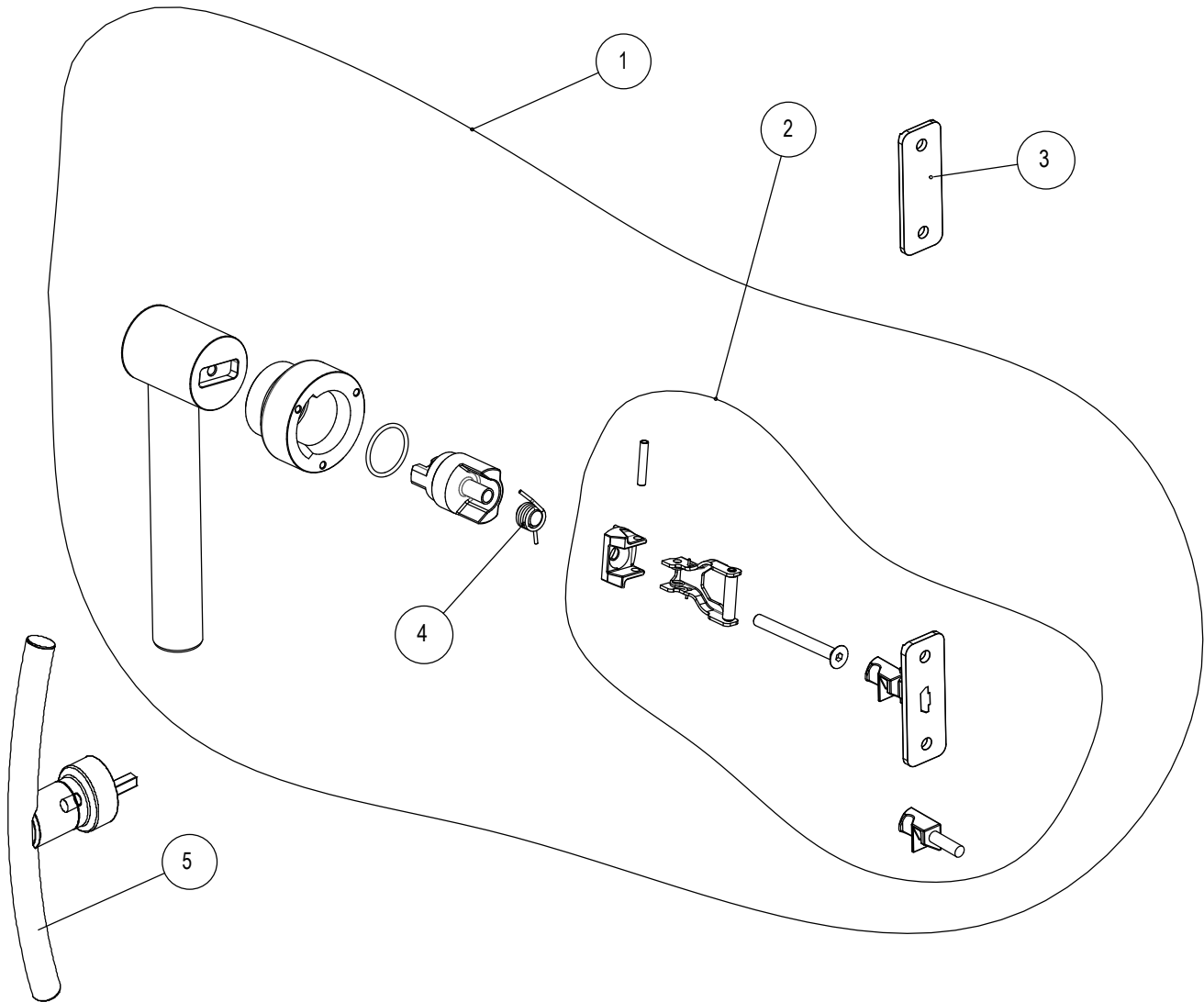
Ref. No.	Part No.	Description
1	60179	Hinge bush, top, RH
2	60180	Bush for hinge, RH
3	61273	Cover plate
4	60362	Logo for insert
5	60434	Hinge upper RH
6	60435	Hinge, lower RH
7	60420	Kit for changing ovendoor from LH-hinged to RH-hinged

SENSOR FOR LEFT AND RIGHT HAND HINGED DOORS



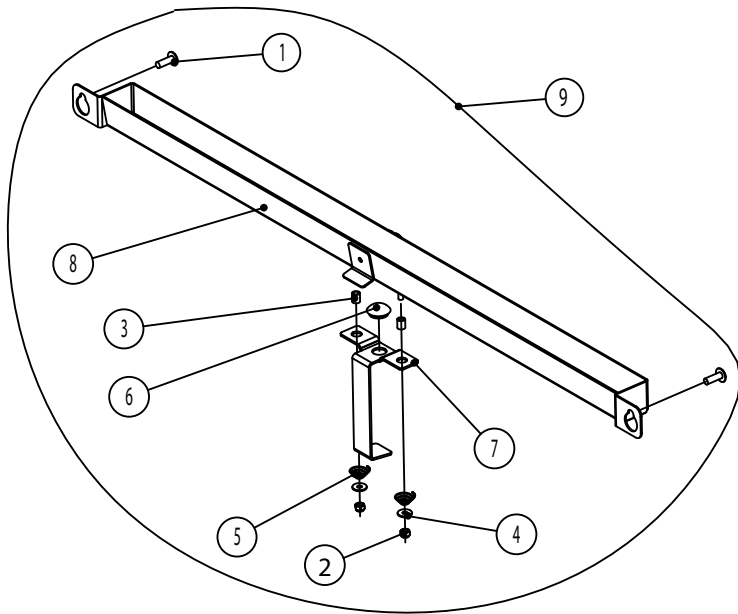
Ref. No.	Part No.	Description
1	60051	Screw, M5 x 6
2	60574	Sensor for door Pass Through
3	60575	Sensor for door

HANDLE FOR OVEN DOOR



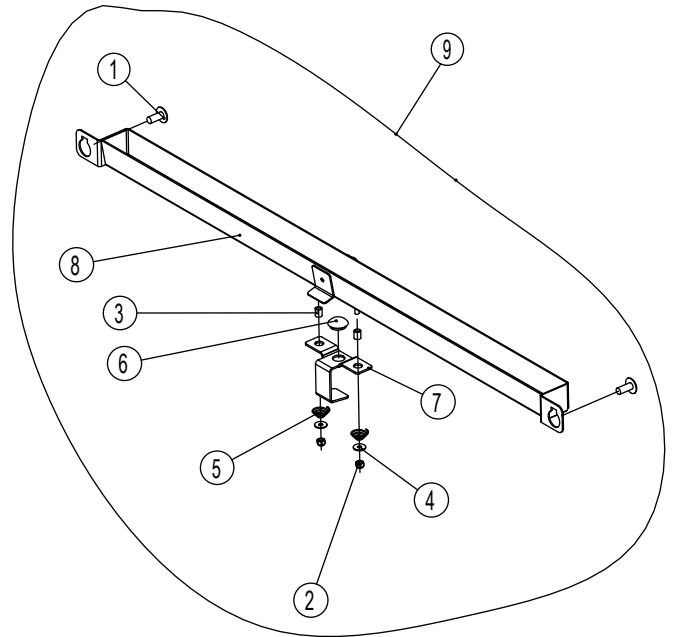
Ref. No.	Part No.	Description
1	61274	Handle for VCI & VCII w. catch (R+L) cpl.
2	61275	Spring for handle VCI & VCII (R+L) cpl.
3	60429	Cover plate for catch
4	60422	Spring for closing device
	61627	Handle (202)
	61640	Catch (202)
5	61627	T-Style handle
	61875	3 screws (not part of handle kit #1)

DRIP SLIDE - STANDARD & PASSTHROUGH OVENS



STANDARD DRIP SLIDE

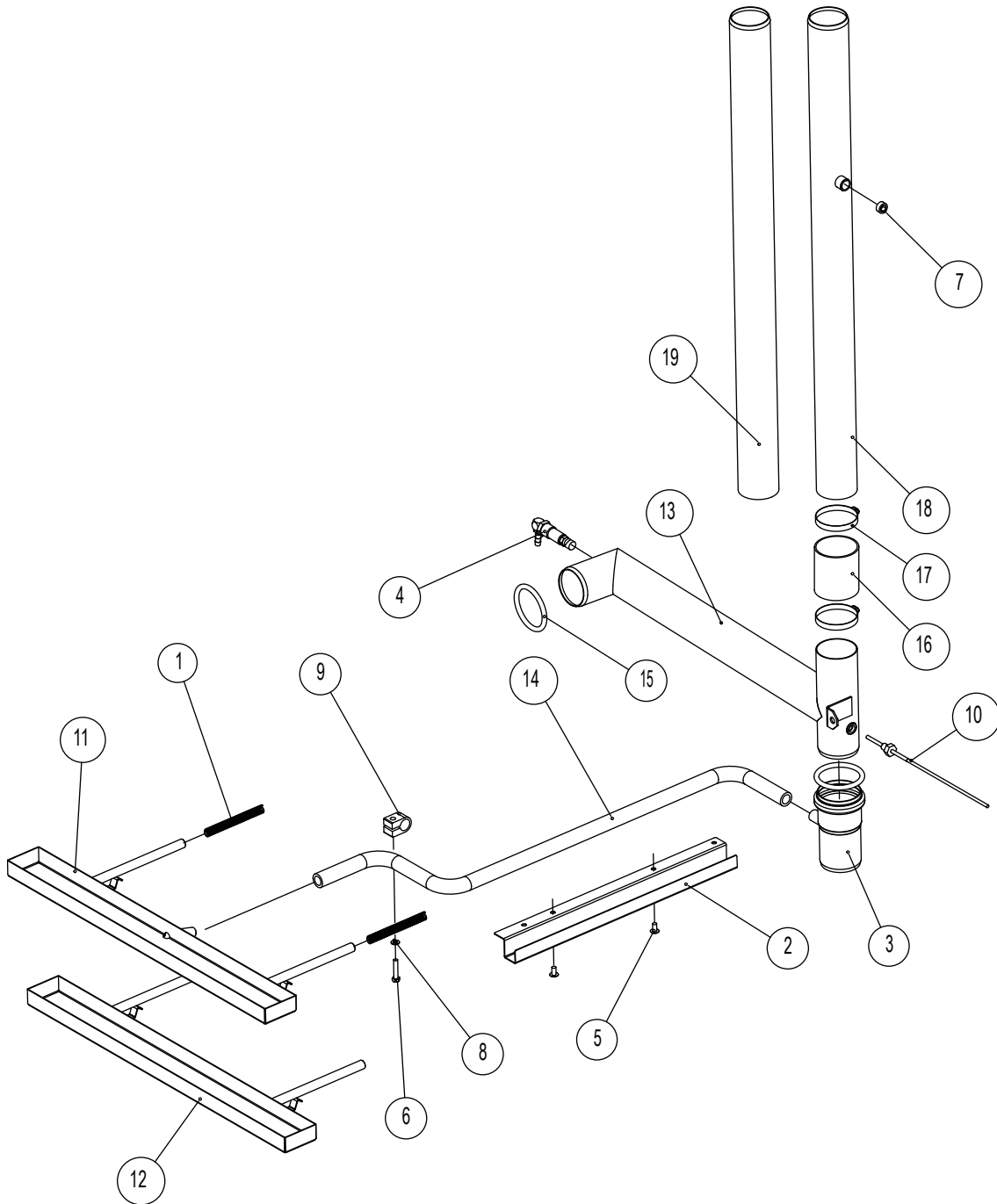
Ref. No.	Part No.	Description
1	60044	Screw M5 x 10
2	60068	Nut M3
3	60070	Spacer
4	60086	Washer 3mm
5	60105	Spring
6	60142	Rubber plug Ø9.1
7	60175	Spring for drip slide
8	60438	Drip slide 1/1
8	60445	Drip slide 2/1
9	60497	Drip slide 1/1 kpl
9	61276	Drip slide 2/1 kpl



DRIP SLIDE - PASSTHROUGH OVENS

Ref. No.	Part No.	Description
1	60044	Screw M5 x 10
2	60068	Nut M3
3	60070	Spacer
4	60086	Washer 3mm
5	60105	Spring
6	60142	Rubber plug Ø9.1
7	60184	Spring for drip slide P/T
8	60438	Drip slide 1/1 welded
9	60498	Drip slide 1/1 kpl PassThrough

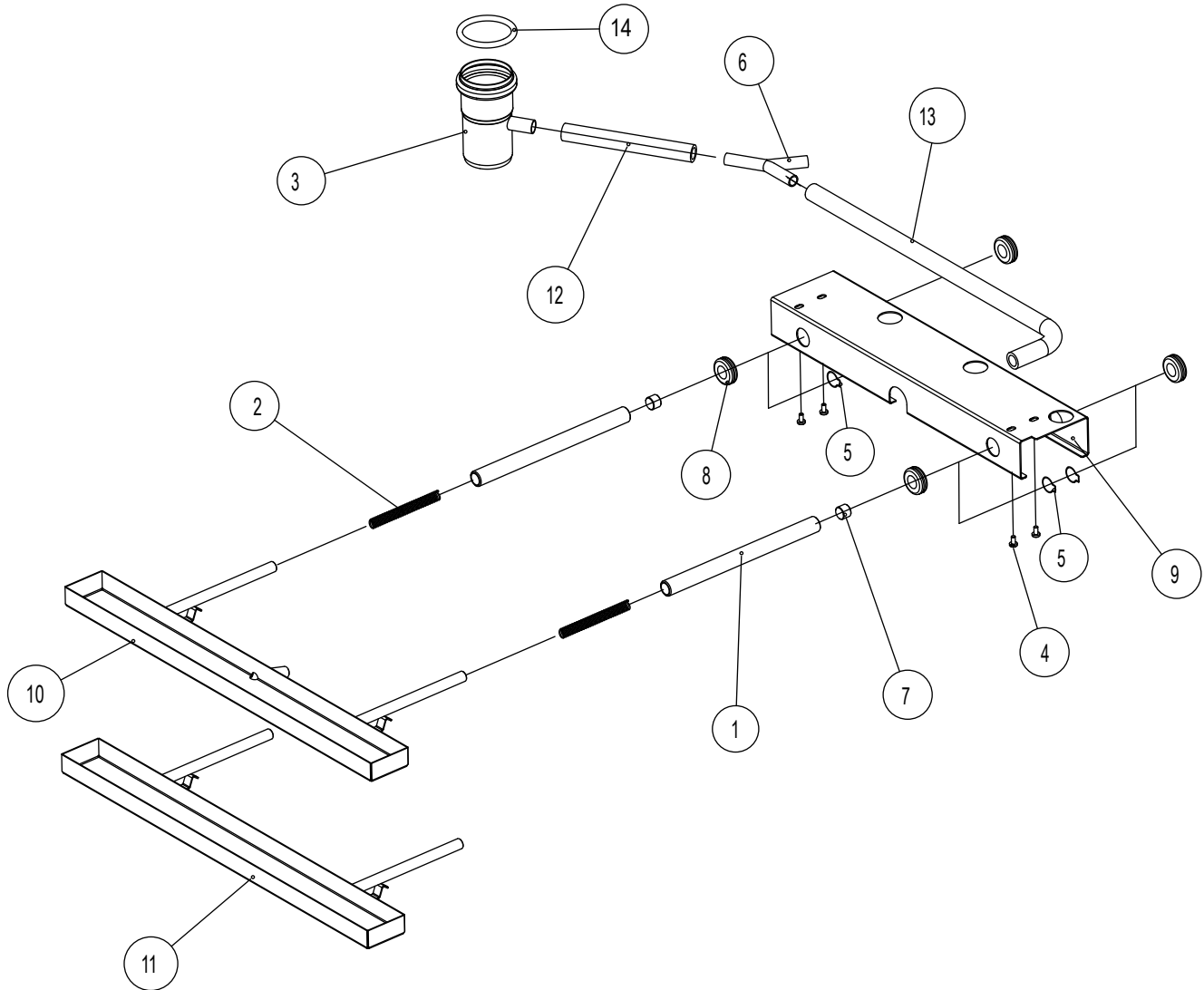
DRIP TRAY / DRIP TRAY, DEEP, WITHOUT DRAIN / DRAIN



Ref. No.	Part No.	Description
1	60004	Spring for drip tray
2	60008	Hose clamp for drip pan
3	60020	Drain with 1 branch
4	61277	Nozzle complete
5	60066	Screw, M5 x12 A2 serrated
6	60058	Screw, set M5 x 25
8	60084	Washer 5mm
9	60094	Cable clamp Ø17.8
10	60334	Condensing Sensor

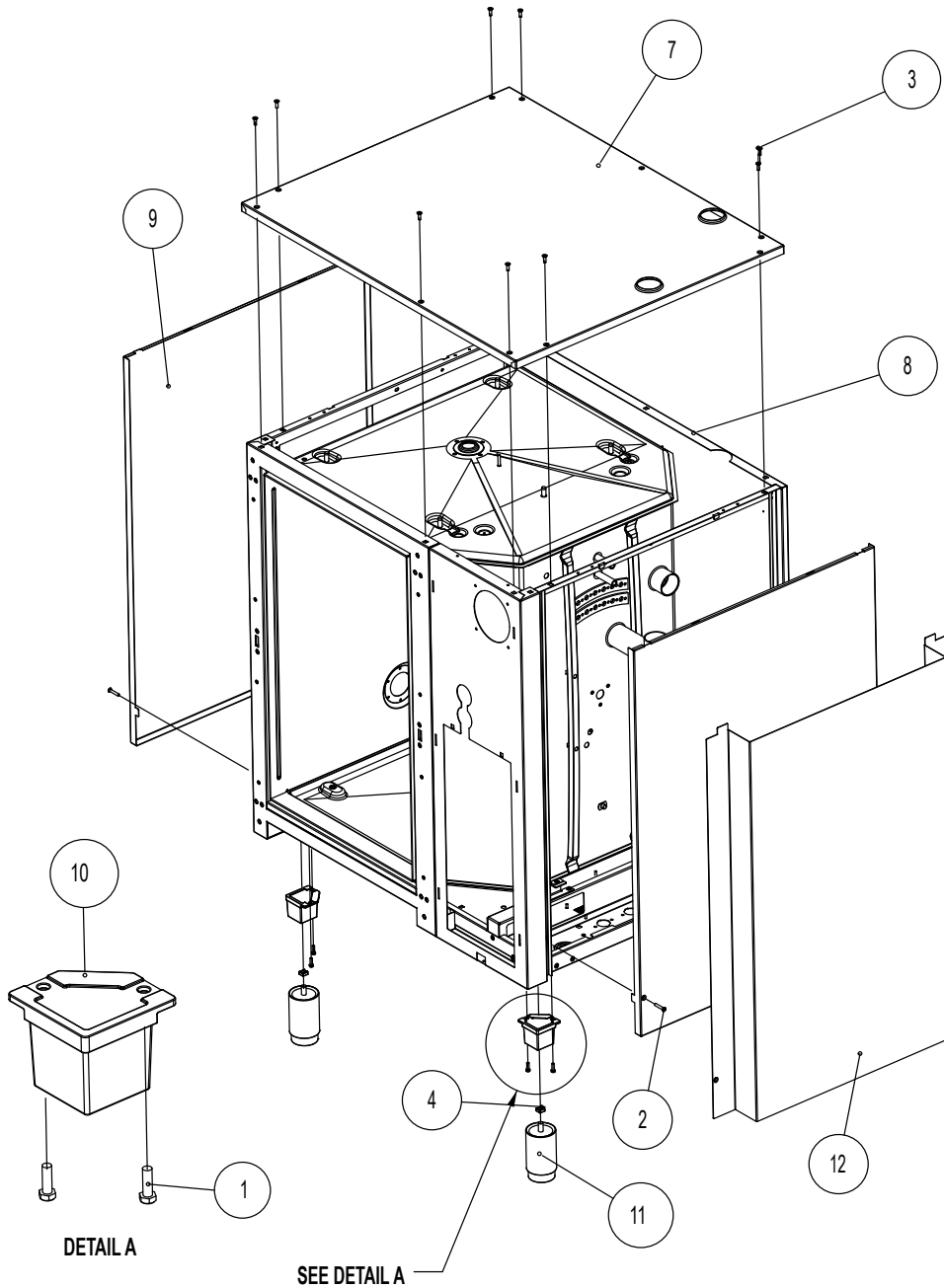
Ref. No.	Part No.	Description
11	60463	Drip tray 1/1 GN
11	60464	Drip tray 2/1 GN
12	60465	Drip tray 1/1 GN P/T
13	60542	Drain 1/1
13	61278	Drain 2/1
14	60187	Hose for drain Drip tray
15	60103	O-ring Ø50

DRIP TRAY / DRIP TRAY DEEP, WITHOUT DRAIN, PASSTHROUGH



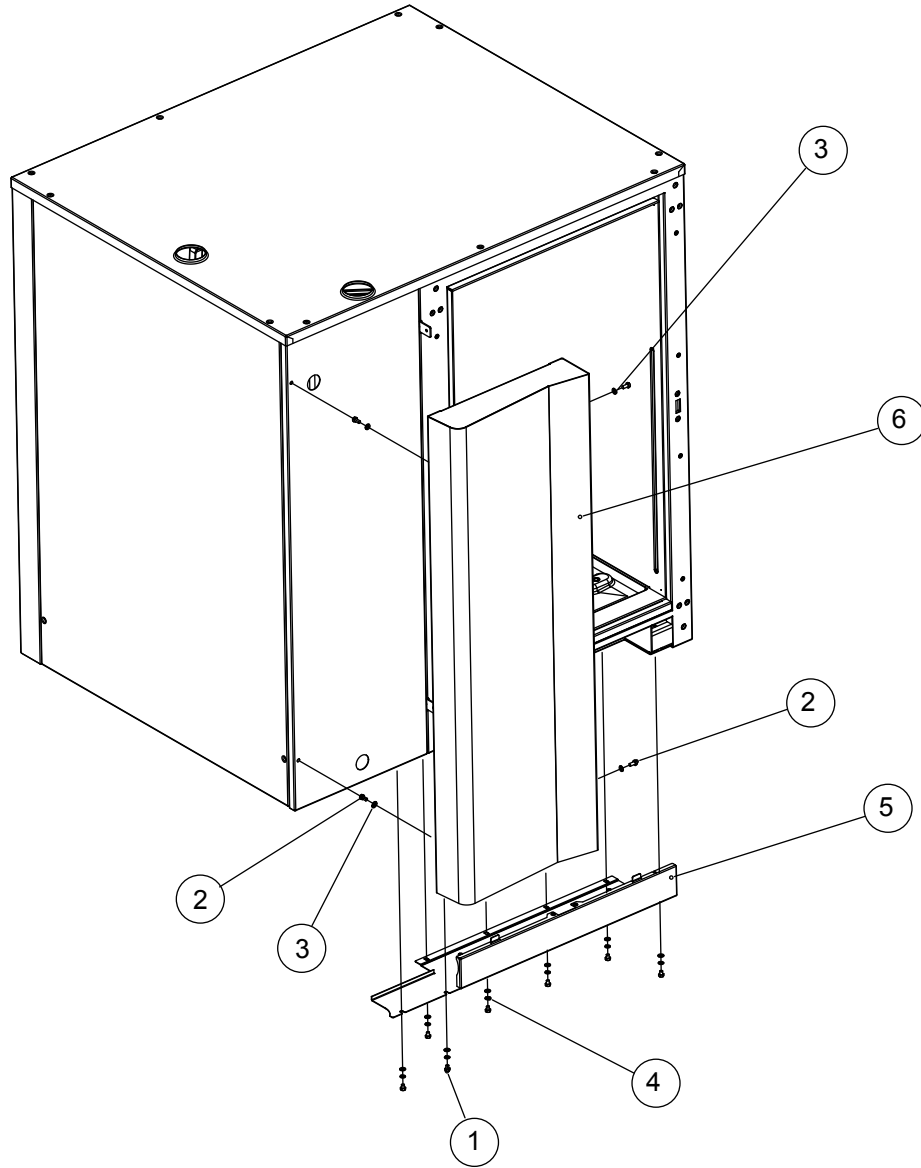
Ref. No.	Part No.	Description
1	60003	Tube for drip tray
2	60005	Spring for drip tray
3	60020	Drain with 1 branch
4	60040	Screw M4 x 8
5	60533	Hose clamp 17,3mm
6	60110	Y-branch, plastic Ø14
7	60114	Plug 1/4" inside hexagon
8	60139	Lead-in Ø14/Ø20x1.5
9	60433	Suspension for drip tray PassThrough
10	60463	Drip tray 1/1 GN
11	60465	Drip tray 1/1 GN P/T
12	60188	Hose for drain Y-branch
13	60189	Hose for drain drip tray PT - costomer side
14	60103	O-ring Ø50

EXTERIOR COMPONENTS



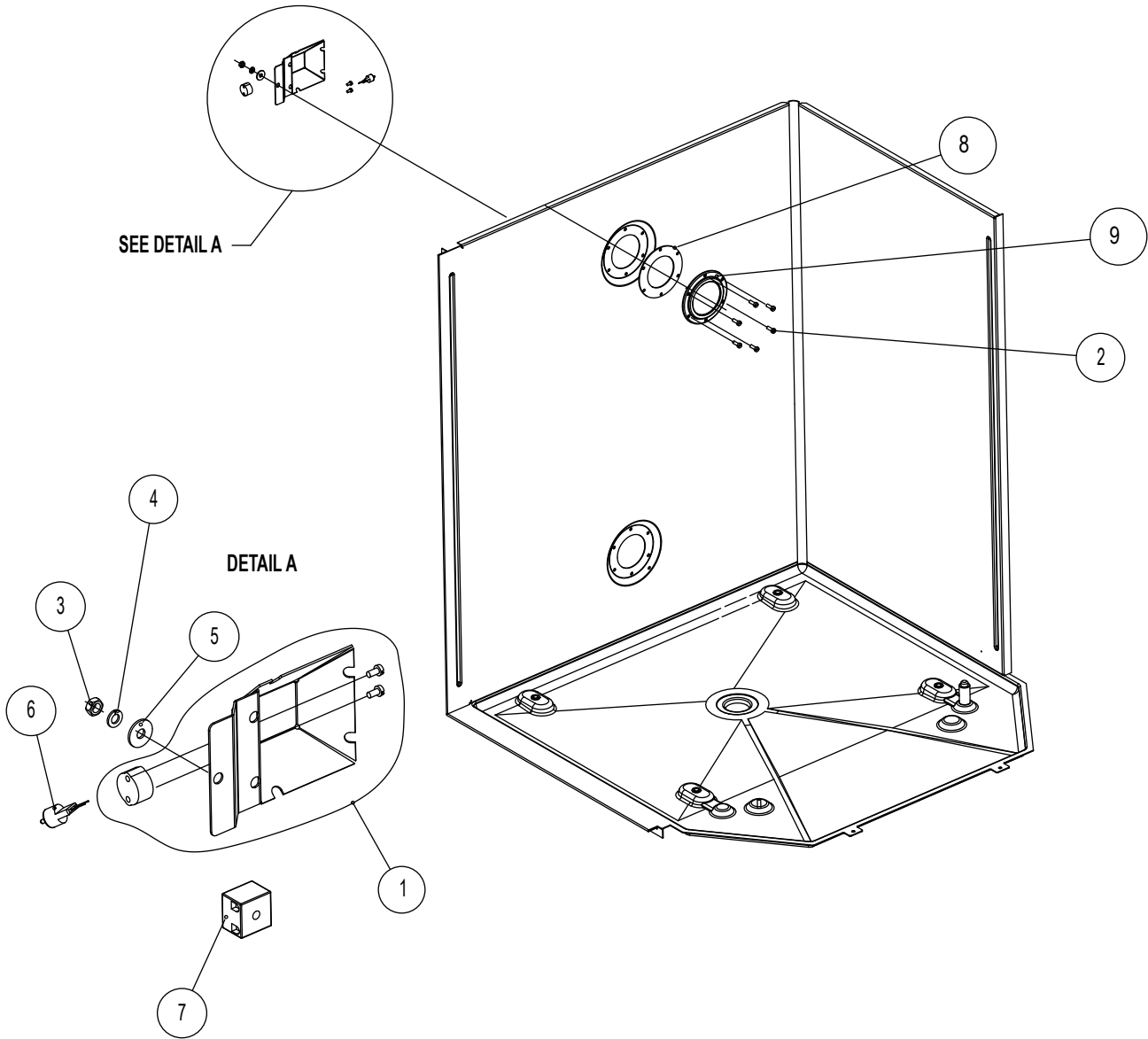
<u>Ref. No.</u>	<u>Part No.</u>	<u>Description</u>	<u>Ref. No.</u>	<u>Part No.</u>	<u>Description</u>
1	60066	Screw, M5 x12 A2 serrated	9	60380	Side plate RH and LH 61
2	60049	Screw M5x30	9	60377	Side plate RH and LH 101
3	60057	Screw M5x16	9	61280	Side plate RH and LH 62
4	60080	Nut M10 Clips	9	60385	Side plate RH and LH 102
7	60375	Roof 1/1 w/2 exhaust valves	9	60398	Side plate RH and LH 202
7	60384	Roof 1/1 w/2 valves, fatvent.	10	60602	Connecting piece for stand
7	60386	Roof 2/1 w/2 exhaust valves	11	60874	Foot cpl
7	60395	Roof 1/1 w/2 valves Combiplus	12	60768	Heat shield 61
8	60378	Rear plate 61	12	60769	Heat shield 101
8	60376	Rear plate 101	12	61281	Heat shield 62
8	61279	Rear plate 62	12	60770	Heat shield 102
8	60382	Rear plate 102	12	60767	Heat shield 202
8	60397	Rear plate 202		55266	Cord Set, 12/3, 20A, 120" for gas ovens

REAR PANEL - PASSTHROUGH OVENS



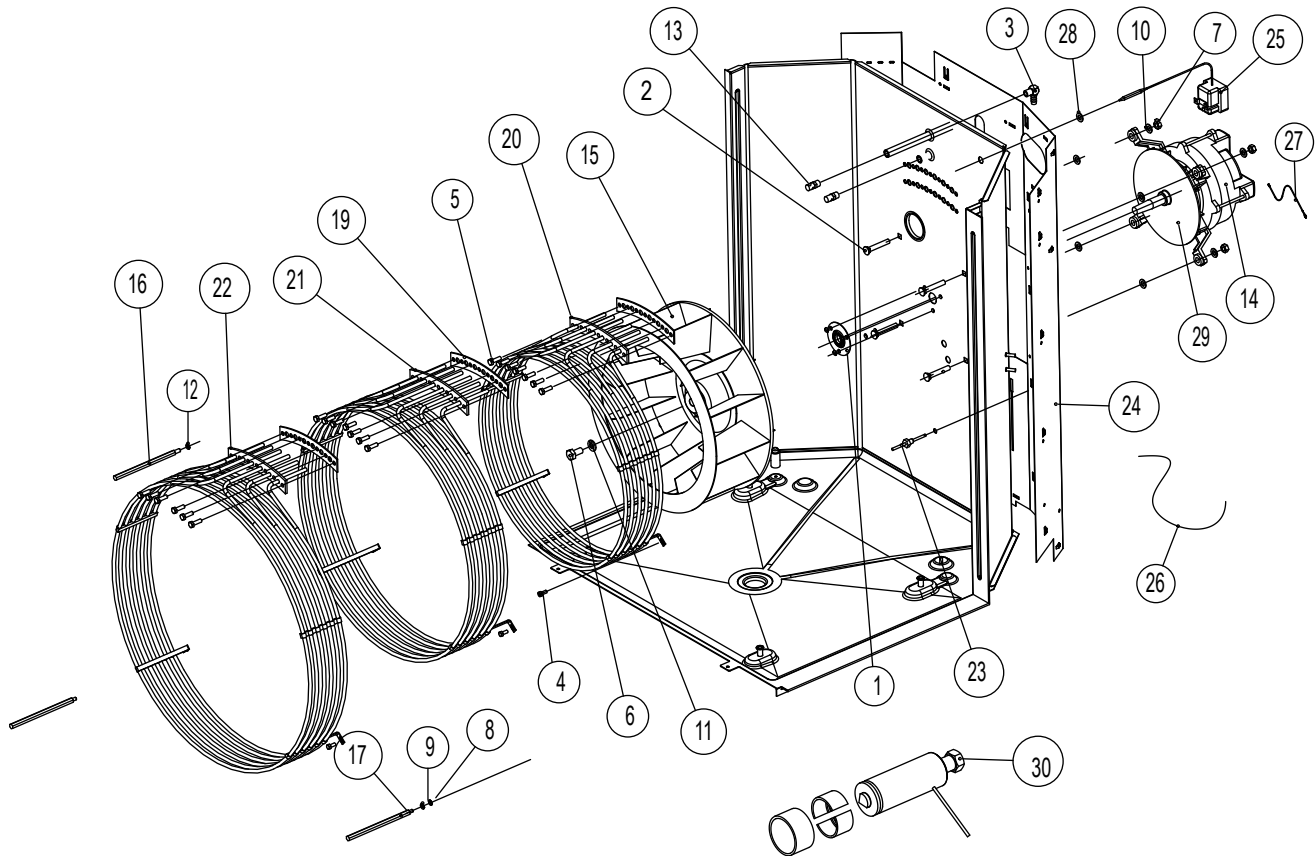
Ref. No.	Part No.	Description
1	60042	Screw, set M5 x 6
2	60043	Screw, set M5 x 10
3	60084	Washer 5mm
4	60085	Washer, spring 5mm
5	60403	Cover 101 PassThrough
6	60410	Front panel 61 PassThrough
6	60404	Front panel 101 PassThrough

INTERIOR LIGHTS



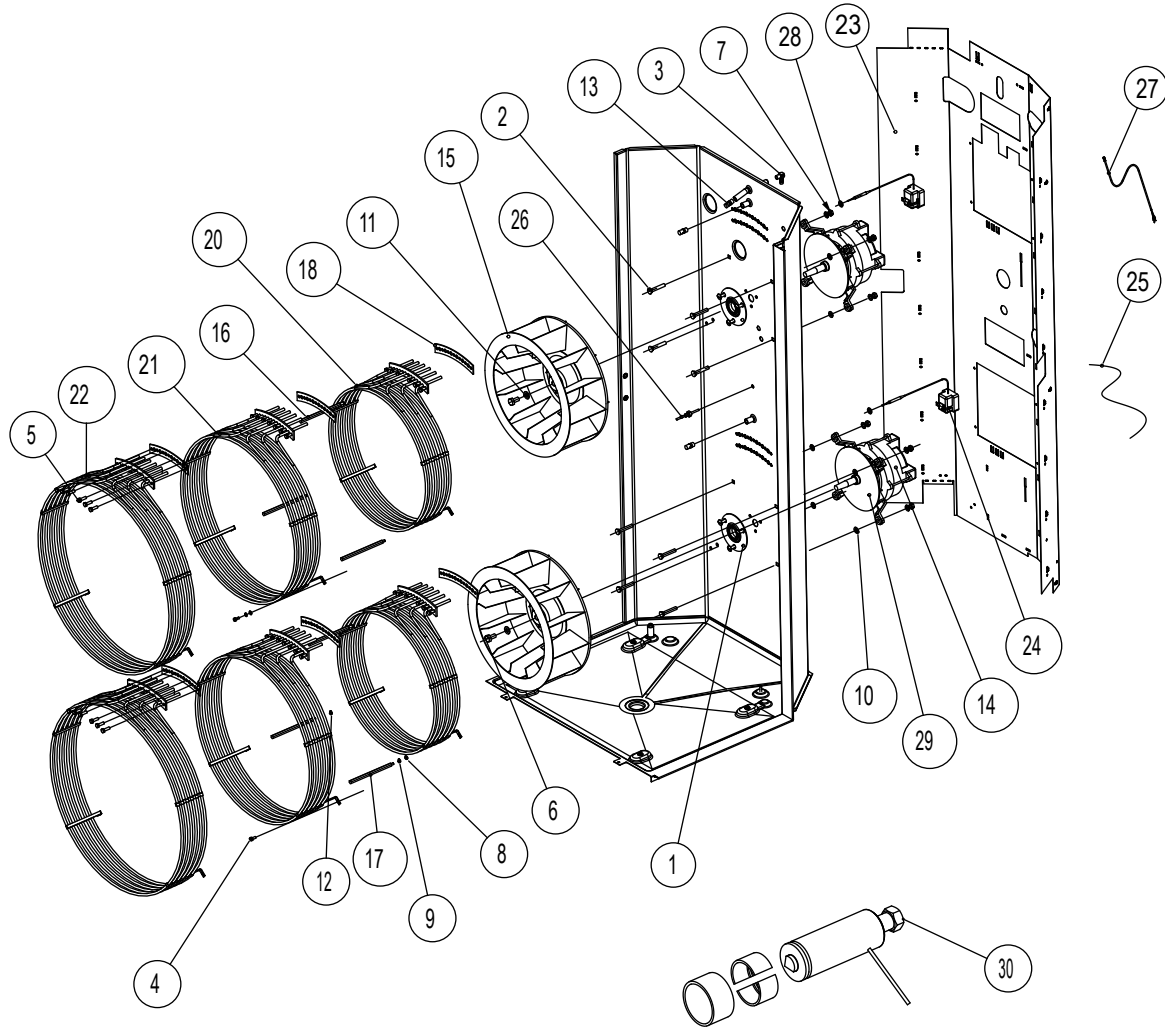
Ref. No.	Part No.	Description
1	61282	Lamp housing halogen
2	60041	Screw M4 x 12
3	60072	Nut M5
4	60085	Washer, spring 5mm
5	60087	Washer 5mm
6	61283	Halogen lamp 12V 10W G4 450°C
7	60137	Porcelain connector
8	61096	Gasket for lamp housing
9	60164	Lamp Glass, Halogen, with gasket

MOTOR, HEATING ELEMENTS



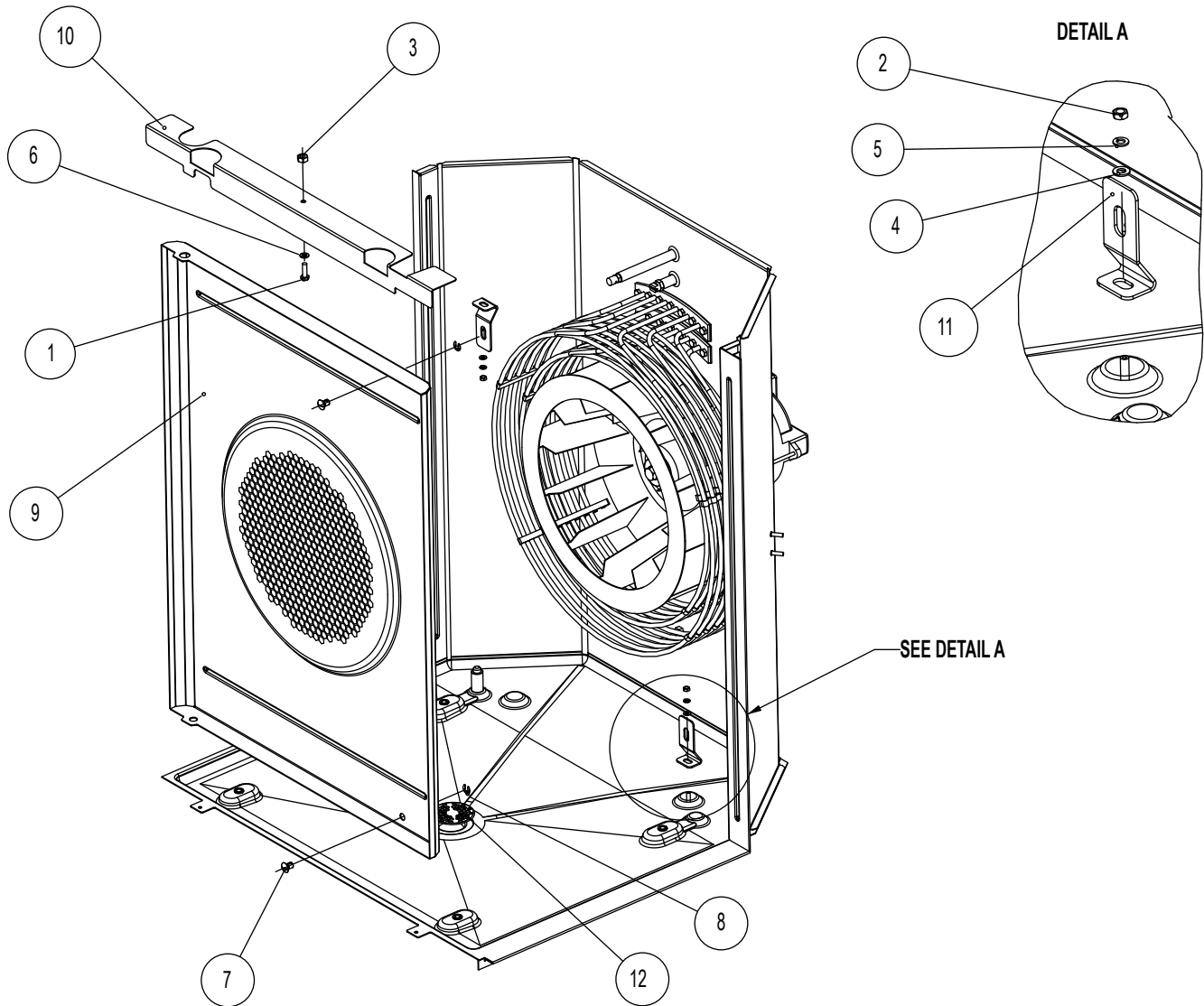
Ref. No.	Part No.	Description	Ref. No.	Part No.	Description
1	61284	Gasket for motor	21	60666	Ring heating element, Ø470 208V 9kW, 101,102
2	60015	Bolt M8 x 45	21	60876	Ring heating element, Ø470 240V 9kW, 101,102
3	61285	Hose nipple, elbow Ø10x1/8"	21	61292	Ring heating element, Ø470 254V 9kW, 101,102
4	60066	Screw, set M5 x 12	21	61257	Ring heating element, Ø470 277V 9kW, 101,102
5	60053	Screw, set M6 x 12	22	60223	Ring heating element, Ø540 208V 9kW, 102
6	60063	Screw, set M10 x 20	22	60877	Ring heating element, Ø540 240V 9kW, 102
7	60078	Nut M8	22	61293	Ring heating element, Ø540 254V 7.5kW, 102
8	60084	Washer, 5mm	22	61258	Ring heating element, Ø540 277V 9kW, 102
9	60085	Washer, spring 5mm	23	60323	Temperature probe sensor air 350°C
10	60091	Washer 8mm	24	60878	Cover for insulation 61
11	60092	Washer Ø10.5 x 20	24	60366	Cover for insulation 101
12	M0417	Washer, 6mm	24	61294	Cover for insulation 62
13	60116	Nozzle, elbow (angular)	24	60879	Cover for insulation 102
14	60123	Fan motor 3x200-240 V	25	61295	Thermoswitch 350°C
15	60126	Fan wheel reversing, straight blades	26	61296	Wire 4mm ² , blue
16	60158	Distance tube for filter housing	26	61297	Wire 4mm ² , red/black/white
17	60159	Distance tube for filter housing	27	61298	Revolution sensor for motor
19	60216	Gasket for ring heating element, 61, 101	28	60200	Washer, copper Ø12.5xØ27x1.5
19	61286	Gasket for ring heating element, 62	29	61299	Impeller for Fan Motor
19	60216	Gasket for ring heating element, 102	30	61300	Puller for fan wheel
20	60221	Ring heating element, Ø400 208V 9kW, 61, 101, 102			
20	60875	Ring heating element, Ø400 240V 9kW, 61, 101, 102			
20	61287	Ring heating element, Ø400 254V 9kW, 61, 101, 102			
20	61288	Ring heating element, Ø400 277V 9kW, 61, 101, 102			
20	61289	Ring heating element, 208V 21kW, 62			
20	61290	Ring heating element, 235V 21kW, 62			
20	61291	Ring heating element, 254V 21kW, 62			

MOTOR, HEATING ELEMENTS - 202 OVENS



Ref. No.	Part No.	Description	Ref. No.	Part No.	Description
1	61284	Gasket for motor	20	60255	Ring heating element Ø400 208V 12kW
2	60016	Bolt M8 x 45	20	61301	Ring heating element Ø400 240V 12kW
3	61285	Hose nipple, elbow Ø10x1/8"	20	61256	Ring heating element Ø400 254V 12kW
4	60066	Screw, set M5 x 12	20	61460	Ring heating element Ø400 277V 12kW
5	60053	Screw, set M6 x 12	21	60666	Ring heating element Ø470 208V 9kW
6	60063	Screw, set M10 x 20	21	60876	Ring heating element Ø470 240V 9kW
7	60078	Nut M8	21	61292	Ring heating element Ø470 254V 9kW
8	60085	Washer, spring 5mm	21	61257	Ring heating element Ø470 277V 9kW
9	60084	Washer, 5mm	22	60223	Ring heating element Ø540 208V 9kW
10	60091	Washer 8mm	22	60877	Ring heating element Ø540 240V 9kW
11	60092	Washer Ø10.5 x 20	22	61293	Ring heating element Ø540 254V 9kW
12	M0417	Washer, 6mm	22	61258	Ring heating element Ø540 277V 9kW
13	60116	Nozzle, elbow	23	60365	Cover for insulation 2.20
14	60123	Fan motor 3x200-240 V	24	61295	Thermoswitch 350°C
15	60126	Fan wheel reversing, straight blades	25	61296	Wire 4mm ² , blue
16	60158	Distance tube for filter housing	25	61297	Wire 4mm ² , red/black/white
17	60159	Distance tube for filter housing	26	60323	Temperature probe sensor air 350°C
18	60216	Gasket for ring heating element	27	61298	Revolution sensor for motor
			28	60200	Washer, copper Ø12.5xØ27x1.5
			29	61299	Impeller for Fan Motor
			30	61300	Puller for fanwheel

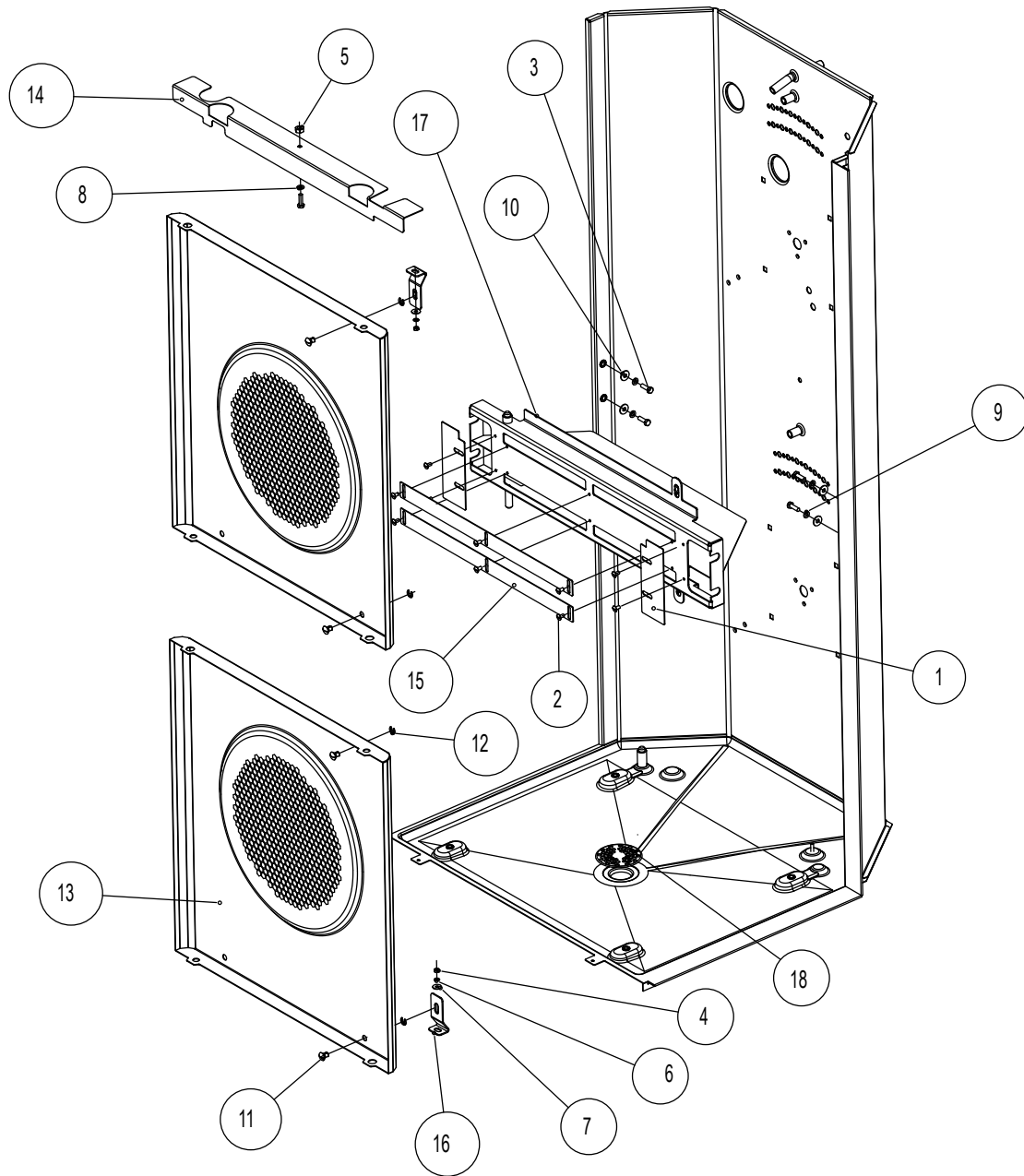
FILTER HOUSING



<u>Ref. No.</u>	<u>Part No.</u>	<u>Description</u>
1	60055	Screw, M6 x 20
2	60072	056500 Nut M5
3	60074	056600 Nut M6
4	60084	057500 Washer 5mm
5	60085	057501 Washer, spring 5mm
6	60088	057600 Washer 6mm
7	60095	058031 Lock pin
8	60096	Clip for lock pin
9	60151	Filter housing 61
9	60147	Filter housing 101
9	61302	Filter housing 62
9	60149	Filter housing 102
10	60153	Cover plate, upper 1/1GN
10	60006	Cover plate, upper 2/1GN
11	60161	Stop plate for filter housing 1/1GN
11	60017	Stop plate for filter housing 2/1GN

<u>Ref. No.</u>	<u>Part No.</u>	<u>Description</u>
12	61303	Grating for drain
	61304	Pin for rack sup-port, lower L=25
	60987	Pin for rack support, lower L=26,5
	60988	Pin for rack support, lower L=28
	60989	Pin for rack support, lower L=29.5
	61305	Pin for rack support top short L=28
	61306	Pin for rack supporttop L=31
	61307	Pin for rack supporttop L=34
	61308	Pin for rack support, long L=37

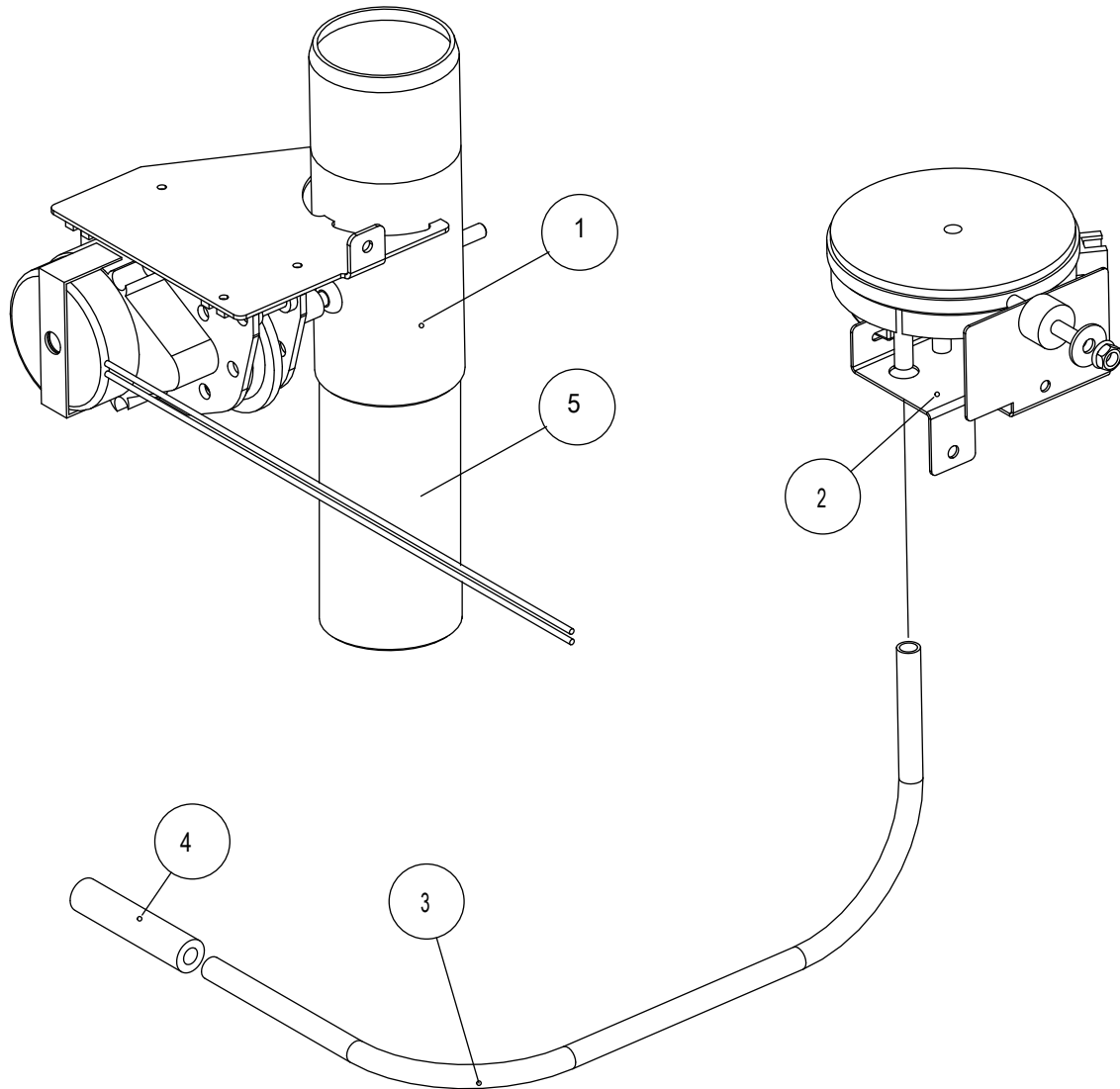
FILTER HOUSING - 202 OVENS



Ref. No.	Part No.	Description
1	60007	Flap for reinforcement
2	60044	Screw FRH M5 x 10
3	60055	Screw, set M6 x 20
4	60072	Nut M5
5	60074	Nut M6
6	60085	Washer, spring 5mm
7	60087	Washer 5mm
8	60088	Washer 6mm
9	M0417	Washer, spring 6mm
10	60090	Washer 6mm
11	60095	Lock pin
12	60096	Clip for lock pin
13	60363	Filter housing 202
14	60153	Cover plate, upper 1/1GN

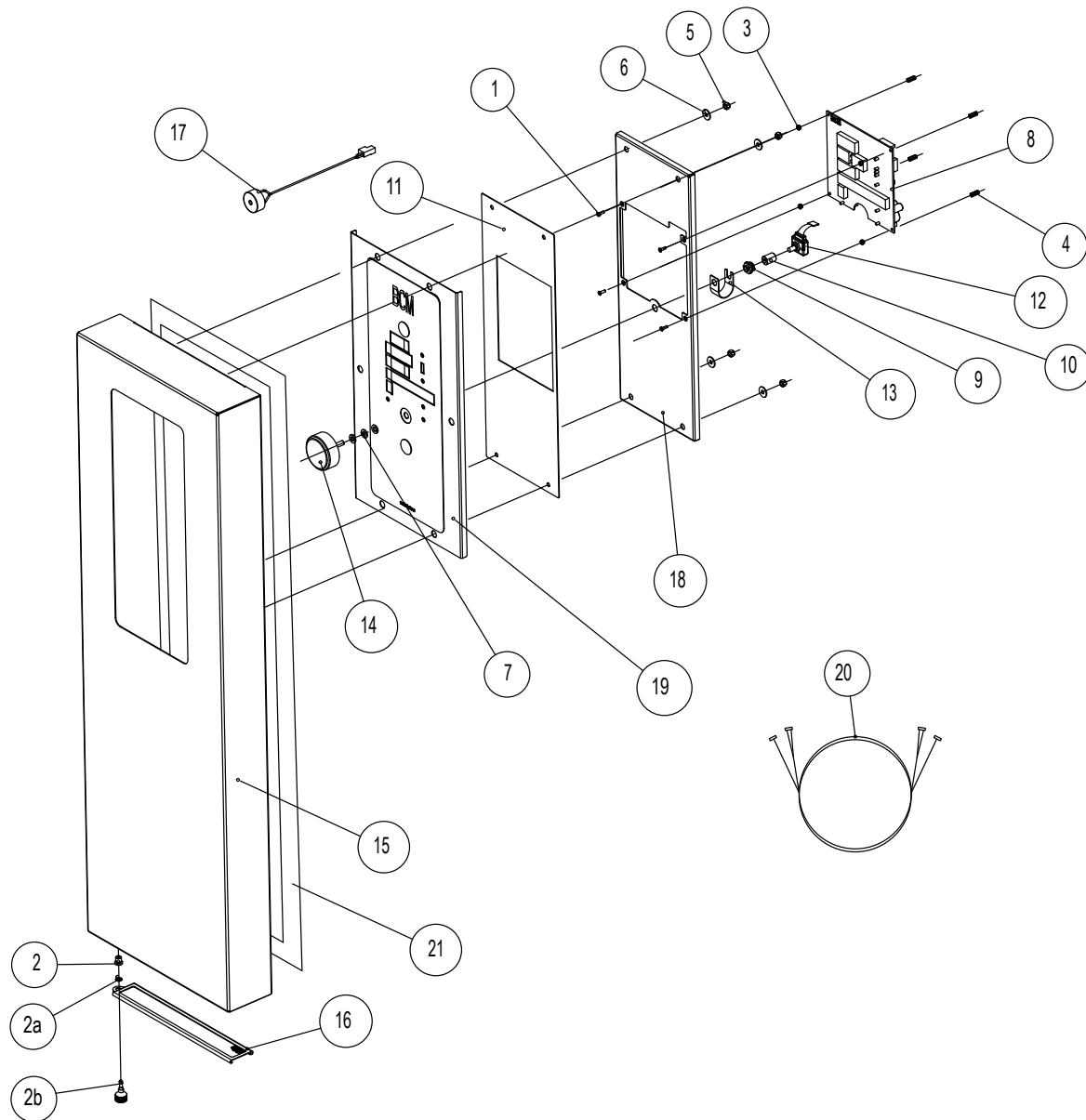
Ref. No.	Part No.	Description
14	60006	Cover plate, upper 2/1GN
15	60364	Flap for reinforcement 2.20
16	60017	Stop plate for filter housing 2/1GN
17	60373	Reinforcement, interior 2.20
18	61303	Grating for drain
	61304	Pin for rack sup-port, lower L=25
	60987	Pin for rack support, lower L=26,5
	60988	Pin for rack support, lower L=28
	60989	Pin for rack support, lower L=29.5
	61305	Pin for rack support top short L=28
	61306	Pin for rack supporttop L=31
	61307	Pin for rack supporttop L=34
	61308	Pin for rack support, long L=37

DAMPER WITH MOTOR & EXHAUST



Ref. No.	Part No.	Description
1	61309	Exhaust w. damper motor
2	60881	Differential Pres-sure Transmitter
3	60108	Hose silicon Ø6/Ø8
4	60245	Transition piece for CombiOptima
5	61565	Hose, Blue, In

BCM CONTROL



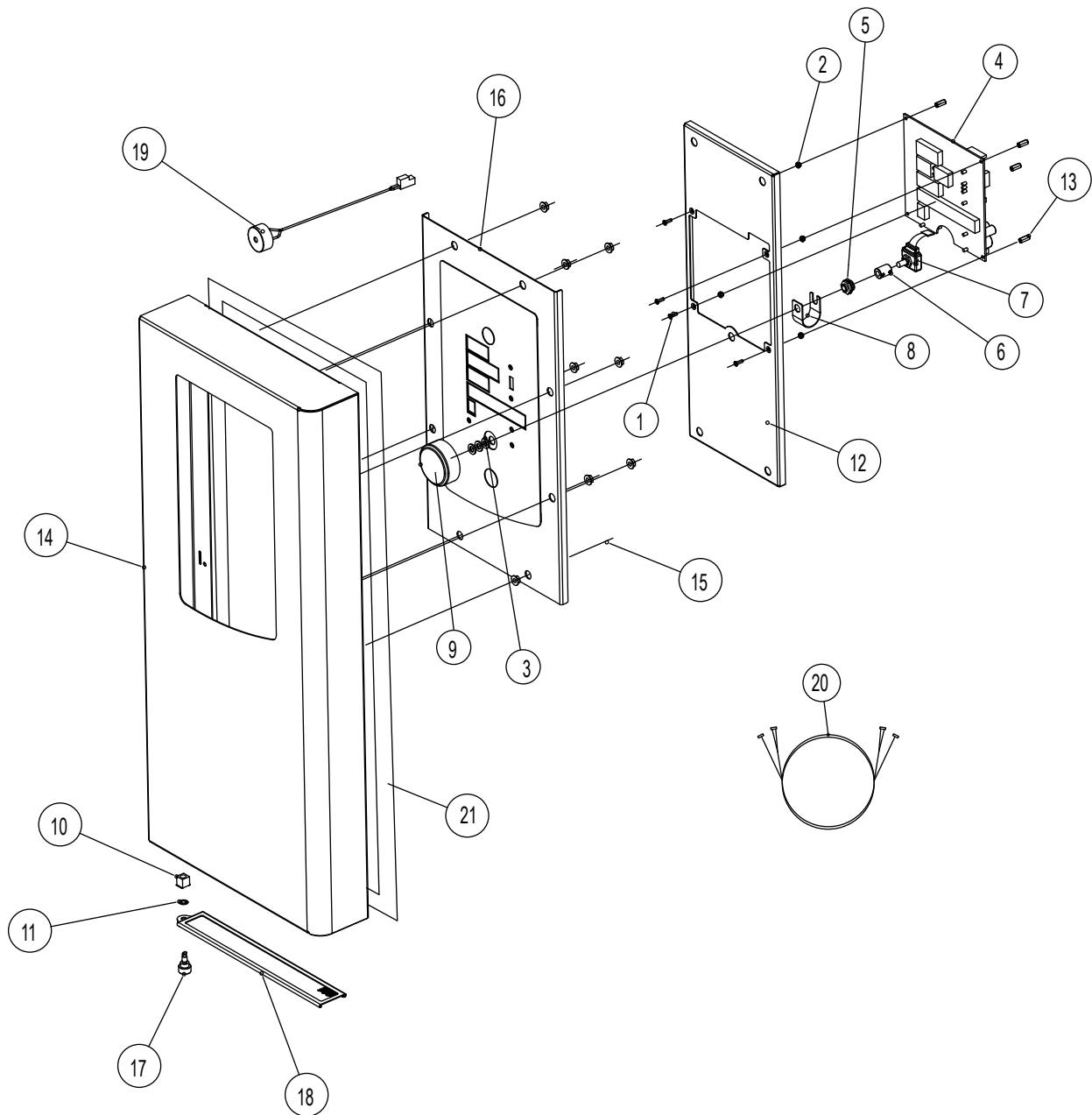
Ref. No.	Part No.	Description
-----------------	-----------------	--------------------

1	60033	Screw M3 x 10
2	61101	Rceptacle
2a	61310	Lockwasher
2b	61100	Fastener 1/4 turn
3	60068	Nut M3
4	60071	Distance tube M3 x 12
5	60077	Nut M5
6	60087	Washer 5mm
7	60088	Washer 6mm
8	61120	Computer B/C/K s/n 4
8	61121	Computer B/C/K s/n 5
9	60337	Shaft, lead-in Ø6
10	60338	Shaft, coupling Ø6/ Ø6
11	60340	Gasket for control
12	60341	Encoder
13	60342	Plastic brace for turn knob
14	60344	Turn switch

Ref. No.	Part No.	Description
-----------------	-----------------	--------------------

15	60406	Front panel, 61
15	60405	Front panel, 101
15	61311	Front panel, 62
15	60414	Front panel, 102
15	60418	Front panel, 202
16	60417	Suction filter
17	60582	Buzzer
18	60891	Intermediate plate for display BCM
19	60600	Abutment plate w/operation panel BCM
20	61312	Communication cable
21	61469	Perimeter Gasket, 61, 62, 101 & 102
21	61470	Perimeter Gasket, 202
	61122	Conversion kit BCM to BCP
	61123	Conversion kit BCP to BCM
	61783	Suction filler assy box (1/4 turn style)
	61782	Suction filler assy box (push style)

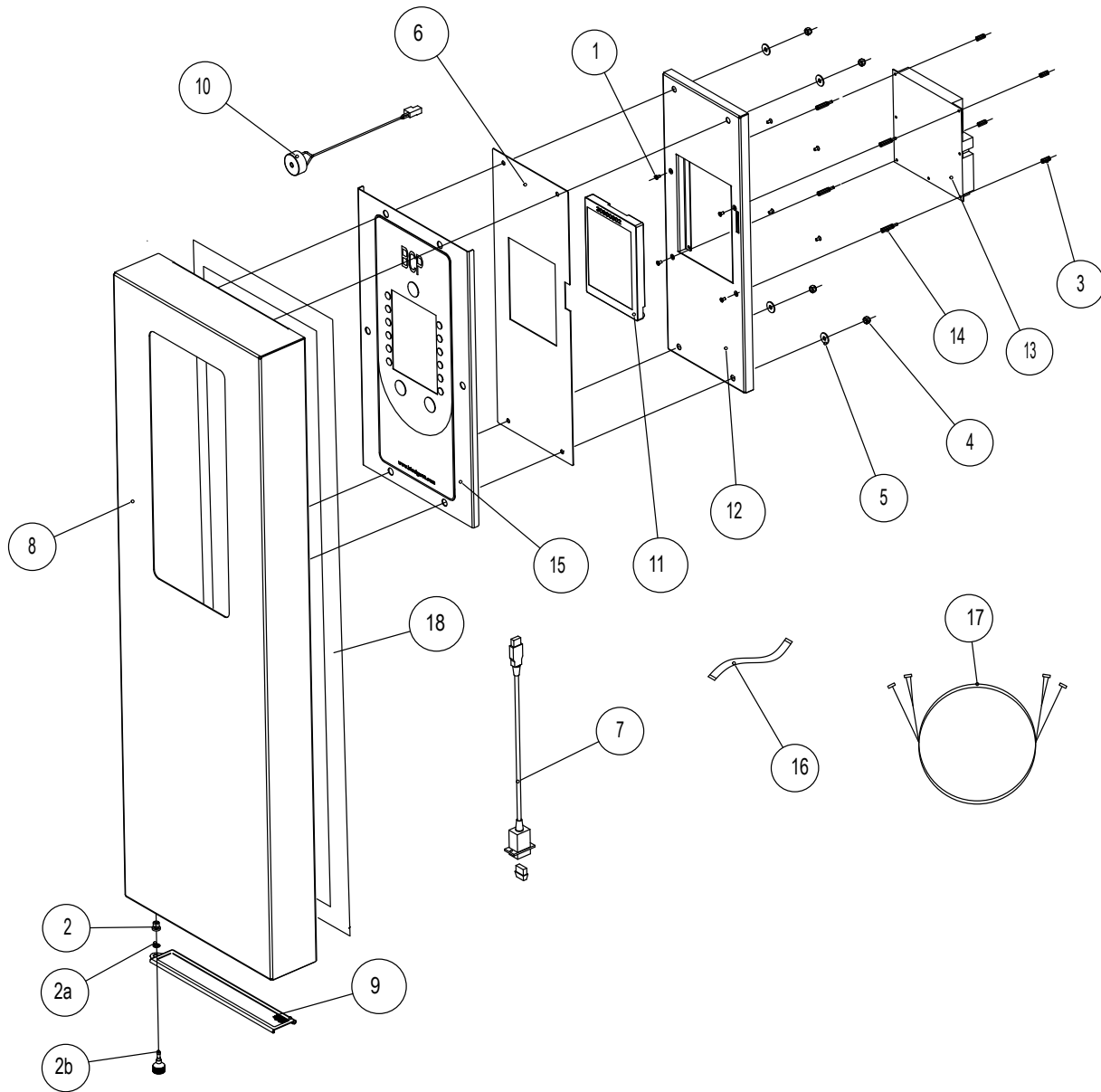
BCM-SE CONTROL



Ref. No.	Part No.	Description
1	60033	Screw M3 x 10
2	60068	Nut M3
3	60088	Washer 6mm
4	60336	Computer B/C/K
5	60337	Shaft, lead-in Ø6
6	60338	Shaft, coupling Ø6/Ø6
7	60341	Encoder
8	60342	Plastic brace for turn button
9	60344	Turn button
10	61461	Receptacle
11	61310	Lock washer
12	61462	Intermediate plate for display B/C/K SE
13	60071	Distance tube M3 x 12
14	61086	Front panel 61 VC SE Kpl.
14	61087	Front panel 101 VC SE Kpl.

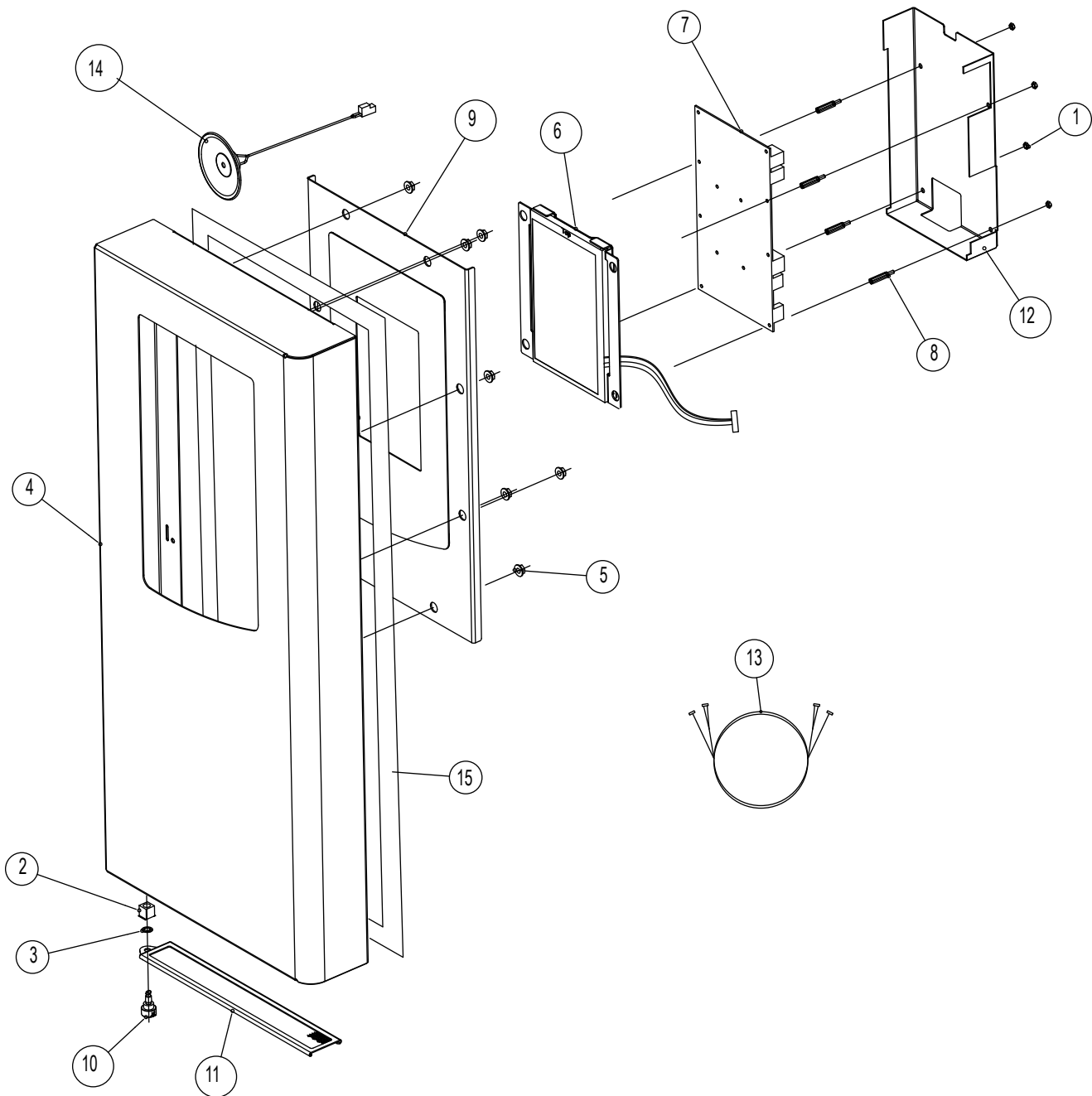
Ref. No.	Part No.	Description
14	61325	Front panel 62 VC SE Kpl.
14	61088	Front panel 102 VC SE Kpl.
14	61089	Front panel 202 VC SE Kpl.
15	60563	Nut M5
16	61463	Abutment plate w/operation panel Blodgett BCM SE
17	61100	Fastener ¼ turn
18	60417	Suction filter
19	60582	Buzzer for Visual Cooking II
20	61312	Communication cable
21	61469	Perimeter Gasket, 61, 62, 101 & 102
21	61470	Perimeter Gasket, 202
	61783	Suction filler assy box (1/4 turn style)
	61782	Suction filler assy box (push style)

BCP CONTROL



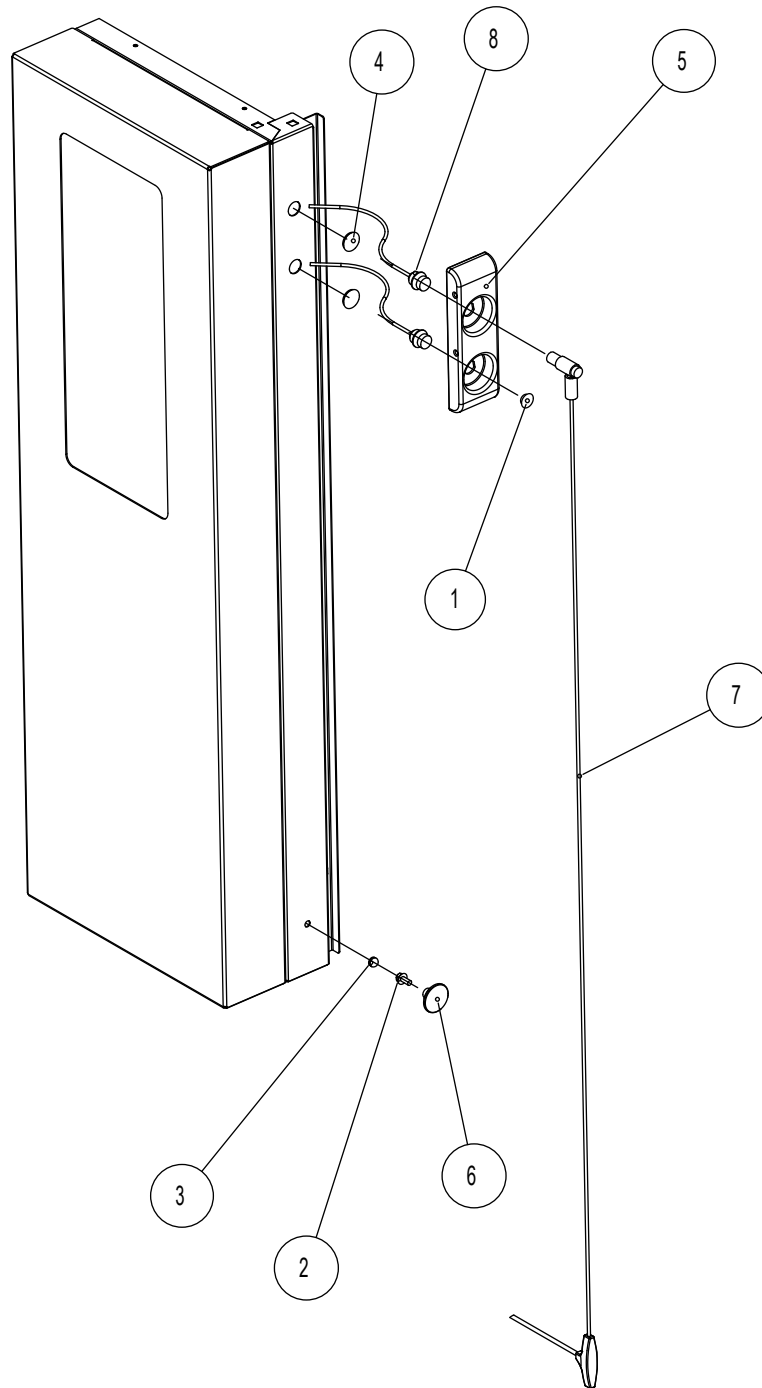
Ref. No.	Part No.	Description	Ref. No.	Part No.	Description
1	60032	Screw M3 x 6	11	61464	Display for Visual Cooking II TFT 5.7"
2	61101	Receptacle	12	60893	Intermediate plate for display E-model
2a	61310	Lock washer	13	61118	Computer VCII TFT Display, s/n 4xxx
2b	61100	Fastener 1/4 turn	13	61119	Computer VC II electric and gas, s/n 5xxx
3	60071	Distance tube M3 x 12	13	61124	Control, programmed Fresh Market s/n 5xxx
4	60077	Nut M5	13	61240	Control, programmed Fresh Market s/n 4xxx
5	60087	Washer 5mm	14	60591	Staybolt brass M3x18 with threaded pin
6	60894	Gasket BCP	15	60601	Abutment plate w/operation panel
7	60343	USB connector, chassis mounted	16	60847	Cable for display
8	60406	Front panel 61	17	61312	Communication cable
8	60405	Front panel 101	18	61469	Perimeter Gasket, 61, 62, 101 & 102
8	61311	Front panel 62	18	61470	Perimeter Gasket, 202
8	60414	Front panel 102		61123	Conversion kit BCP to BCM
8	60418	Front panel 202		61122	Conversion kit BCM to BCP
9	60417	Suction filter		61123	Conversion kit BCP to BCM
10	60582	Buzzer for Visual Cooking II		61783	Suction filler assy box (1/4 turn style)
				61782	Suction filler assy box (push style)

BCT-SE CONTROL



Ref. No.	Part No.	Description	Ref. No.	Part No.	Description
1	60069	Nut M3	7	62972	Kit, CPU replacement BLCT-62E-H
2	61101	Receptacle	7	62973	Kit, CPU replacement BLCT-102E-H
3	61310	Lock washer	8	61327	Staybolt brass M3x20 with threaded pin
4	61086	Front panel 61 VC SE Kpl.	9	61328	Abutment plate w/operation panel BCT SE
4	61087	Front panel 101 VC SE Kpl.	10	61100	Fastener ¼ turn
4	61325	Front panel 62 VC SE Kpl.	11	60417	Suction filter
4	61088	Front panel 102 VC SE Kpl.	12	61329	Cover f. IO-Board Touch
4	61089	Front panel 202 VC SE Kpl.	13	61312	Communication cable
5	60563	Nut M5	14	61804	Speaker with cord
6	61326	Touch display 7" with cabel and bracket	15	61469	Perimeter Gasket, 61, 62, 101 & 102
7	61838	Kit, CPU replacement (general market)	15	61470	Perimeter Gasket, 202
7	62970	Kit, CPU replacement BLCT-61E-H	61783		Suction filler assy box (1/4 turn style)
7	62971	Kit, CPU replacement BLCT-101E-H	61782		Suction filler assy box (push style)

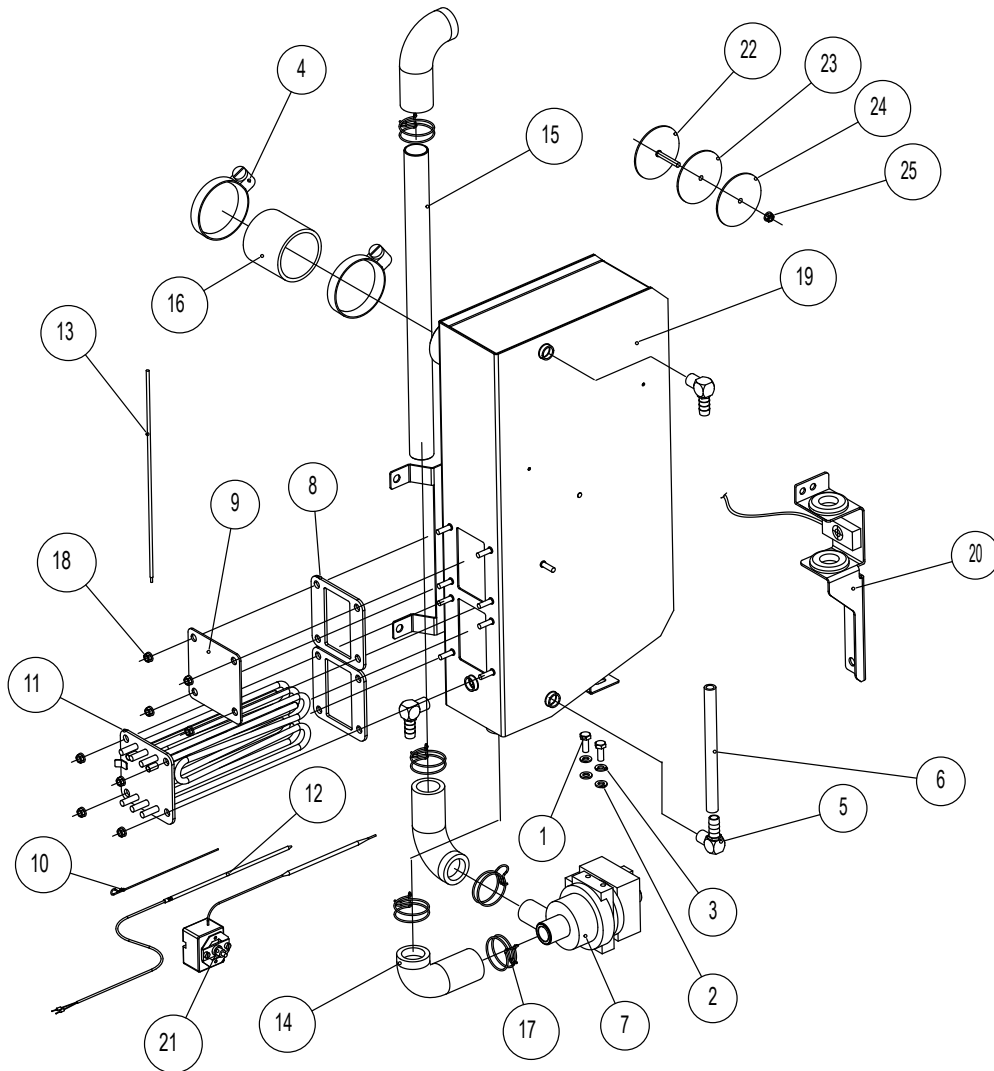
CORE TEMPERATURE PROBE, 3 POINT



Ref. No.	Part No.	Description
1	60002	Cover
2	60066	Screw, M5 x 12 A2
3	60895	Rubber plug, Ø9.5 x Ø6.4, black
4	60896	Rubber plug, Ø20 x Ø14.9, black
5	60897	Bracket for core temp. probe
6	60898	Cable support for core temp. probe

Ref. No.	Part No.	Description
7	60583	Core temp. probe, 3-point, L=1125, 61 - 62 - 44"
7	60584	Core temp. probe, 3-point, L=101 - 202, 64"
	60571	Core temp. probe, 3-point, L=101 - 202, 126"
8	60899	Socket for core temp. probe, 500 mm assy

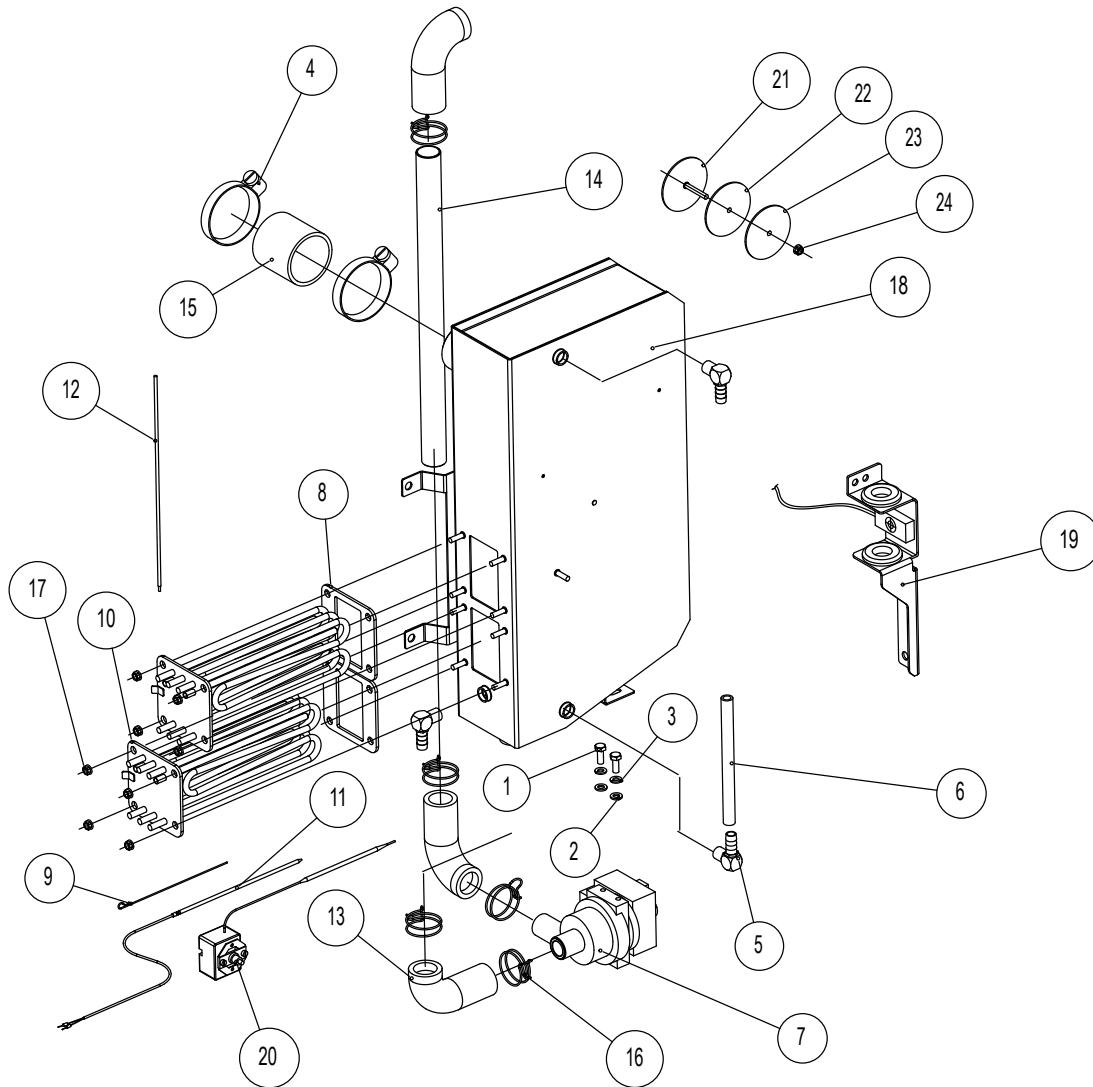
STEAM GENERATOR - 61 OVENS



Ref. No.	Part No.	Description
1	60054	Screw, set M6x16
2	60088	Washer 6mm
3	M0417	Washer, spring 6mm
4	61313	Hose clamp Ø50-65 mm
5	60113	Hose nipple, elbow Ø10x1/4"
6	52753	Silicone hose Ø8x12 mm transparent per inch
7	60209	Drain pump with bush
8	60210	Gasket for heating element
9	60211	Blind plate for heating element
10	60212	Locking pin
11	61317	Heating element 240/400-415V+ 0.9 kW
11	61319	Heating element 200-208V 9 kW
11	61229	Heating element 277V, 9 kW (480V oven)
12	60324	Sensor for steam generator
13	60325	Earth connection for steam generator 9kW

Ref. No.	Part No.	Description
14	60515	Hose for drain pump
15	60516	Exhausttube 9-18 kW
16	60518	Hose L=50
17	60534	Hose clamp Ø35
18	60563	Nut M5 A2 w/flange, serrated
19	62643	Steam generator 7.5-15 kW
20	60868	Level sensor steam generator assy.
21	60572	Thermoswitch 135°C
21a	61322	Cooling paste SSR
22	61064	Blind flange
23	61066	Gasket
24	61065	Mating flange
25	61323	Nut M6 w/flange
	61103	Steam Gen Assy, 208V w/1 elem
	61104	Steam Gen Assy, 240V w/1 elem
	61105	Steam Gen Assy, 480V w/1 elem

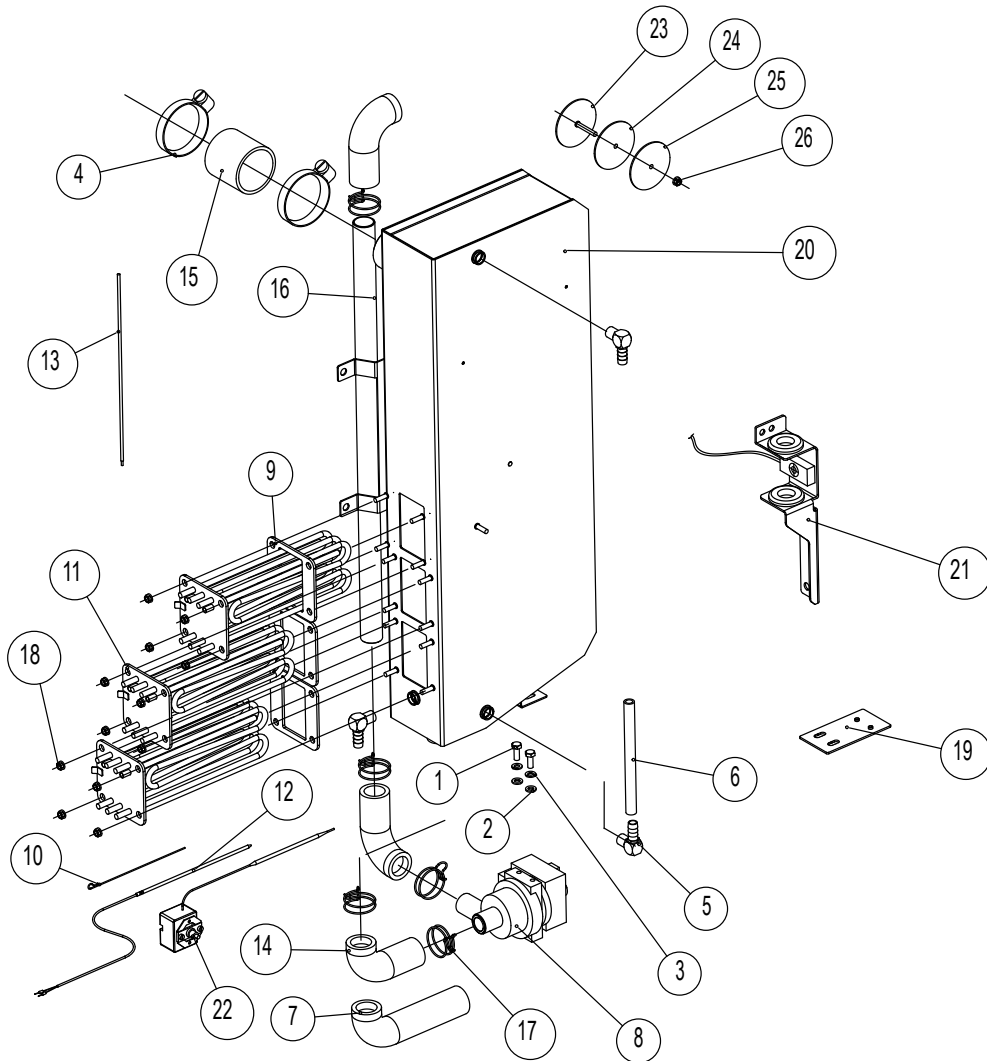
STEAM GENERATOR - 62 & 101 OVENS



Ref. No.	Part No.	Description
1	60054	Screw M6 x 16
2	60088	Washer 6mm
3	M0417	Washer, spring 6mm
4	61313	Hose clamp Ø50-65 mm
5	60113	Hose nipple, elbow Ø10x1/4"
6	61314	Silicone hose Ø8x12 mm
7	60209	Drain pump with bush
8	60210	Gasket for heating element
9	60212	Locking pin
10	61317	Heating element 240/400-415V, 9 kW
10	61319	Heating element 200-208V 9 kW
10	61229	Heating element 277V, 9 kW (480V oven)
11	60324	Sensor for steam generator
12	60326	Earthconnection f for steam generator 18kW
13	60515	Hose for drain pump

Ref. No.	Part No.	Description
14	60516	Exhaust tube 9-18 kW
15	60518	Hose steam generator L=50
16	60534	Hose clamp Ø35 mm
17	60563	Nut M5 A2 w/flange, serrated
18	62643	Steam generator 7.5-15 kW
19	60868	Level sensor steam generator assy.
20	60985	Thermoswitch 135°C
20a	61322	Cooling paste SSR
21	61064	Blind flange
22	61066	Gasket
23	61065	Mating flange
24	61323	Nut M6 w/flange
	61106	Steam Gen Assy, 208V w/2 elem
	61107	Steam Gen Assy, 240V w/2 elem
	61108	Steam Gen Assy, 480V w/2 elem

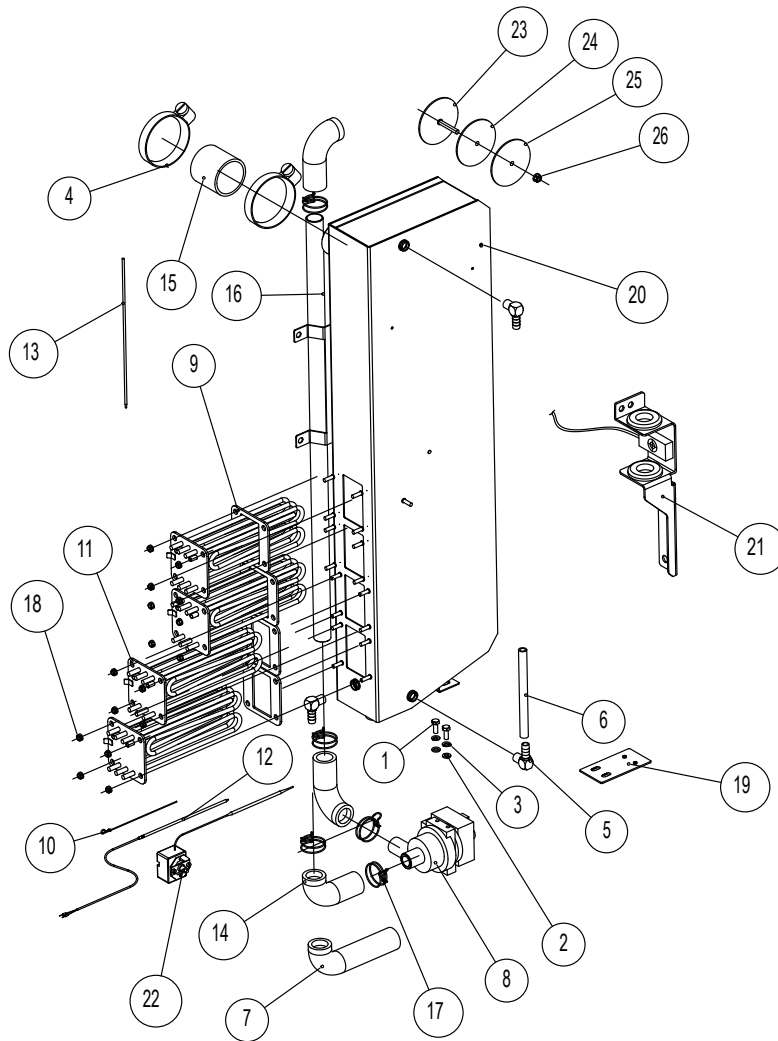
STEAM GENERATOR - 102 OVENS



Ref. No.	Part No.	Description
1	60054	Screw M6 x 16
2	60088	Washer 6mm
3	M0417	Washer, spring 6mm
4	61313	Hose clamp Ø50-65 mm
5	60113	Hose nipple, elbow Ø10x1/4"
6	52753	Silicone hose Ø8x12 mm
7	60193	Hose for drain pump
8	60209	Drain pump with bush
9	60210	Gasket for heating element
10	60212	Locking pin
11	61317	Heating element 240/400-415V+ 0 9 kW
11	61319	Heating element 200-208V 9 kW
11	61229	Heating element 277V, 9 kW (480 oven)
12	60324	Sensor for steam generator
13	60327	Earth connection for steam generator 27kW
14	60515	Hose for drain pump

Ref. No.	Part No.	Description
15	60518	Hose steam generator L=50
16	60524	Exhaust tube 27 kW
17	60534	Hose clamp Ø35 mm
18	60563	Nut M5 A2 w/flange, serrated
19	60564	Bracket for Drain pump
20	62644	Steam generator 22.5 kW
21	60868	Level sensor steam generator assy.
22	60985	Thermoswitch 135°C
22a	61322	Cooling paste SSR
23	61064	Blind flange
24	61066	Gasket
25	61065	Mating flange
26	61323	Nut M6 w/flange
	61109	Steam Gen Assy, 208V w/3 elem
	61110	Steam Gen Assy, 240V w/3 elem
	61111	Steam Gen Assy, 480V w/3 elem

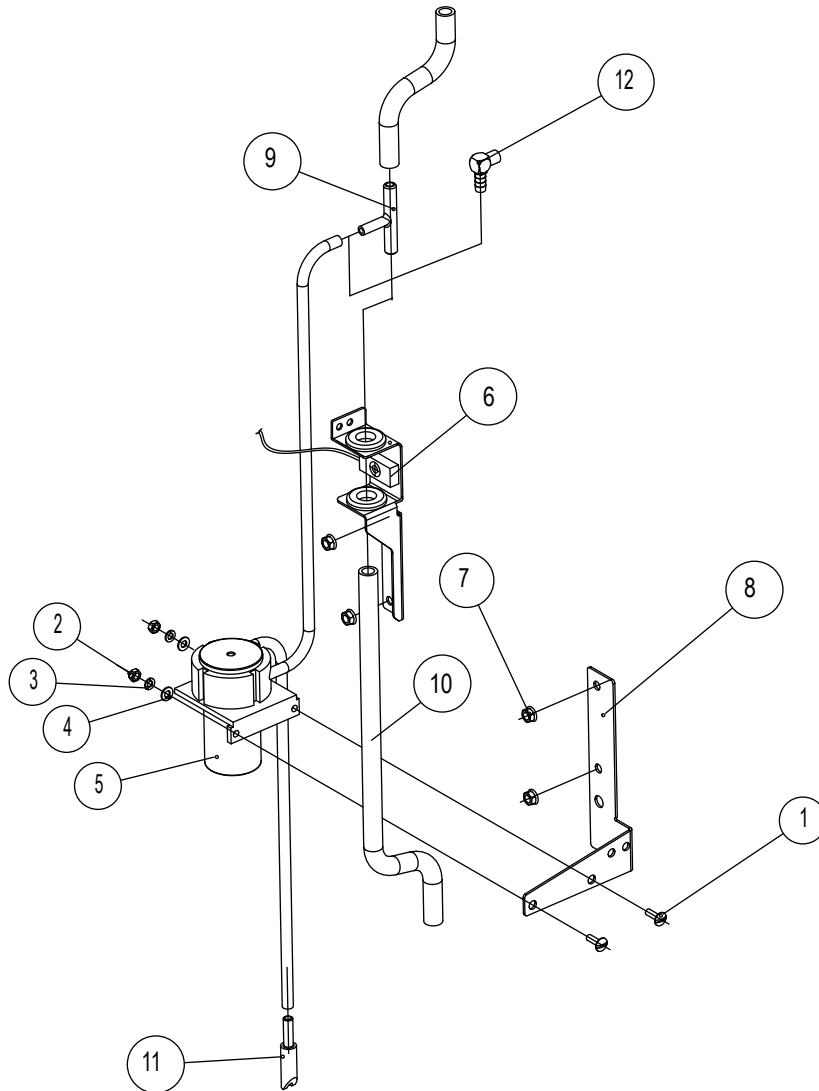
STEAM GENERATOR - 202 OVENS



Ref. No.	Part No.	Description
1	60054	Screw, M6x16
2	60088	Washer 6mm
3	M0417	Washer, spring 6mm
4	61313	Hose clamp Ø50-65 mm
5	60113	Hose nipple, elbow Ø10x1/4"
6	52753	Silicone hose Ø8x12 mm
7	60193	Hose for drain pump
8	60209	Drain pump with bush
9	60210	Gasket for heating element
10	60212	Locking pin
11	61317	Heating element 240/400-415V+ 0 9 kW
11	61319	Heating element 200-208V 9 kW
11	61229	Heating element 277V, 9 kW (480V oven)
12	60324	Sensor for steam generator
13	60328	Earth connection for steam generator 36kW
14	60515	Hose for drain pump

Ref. No.	Part No.	Description
15	60518	Hose steam generator L=50
16	60525	Exhaust tube 36 kW
17	60534	Hose clamp Ø35 mm
18	60563	Nut M5 A2 w/flange, serrated
19	60564	Bracket for Drain pump
20	62645	Steam generator 30 kW welded
21	60868	Level sensor steam generator assy.
22	60985	Thermoswitch 135°C
22a	61322	Cooling paste SSR
23	61064	Blind flange
24	61066	Gasket
25	61065	Mating flange
26	61323	Nut M6 w/flange
	61112	Steam Gen Assy, 208V w/4 elem
	61113	Steam Gen Assy, 240V w/4 elem
	61114	Steam Gen Assy, 480V w/4 elem

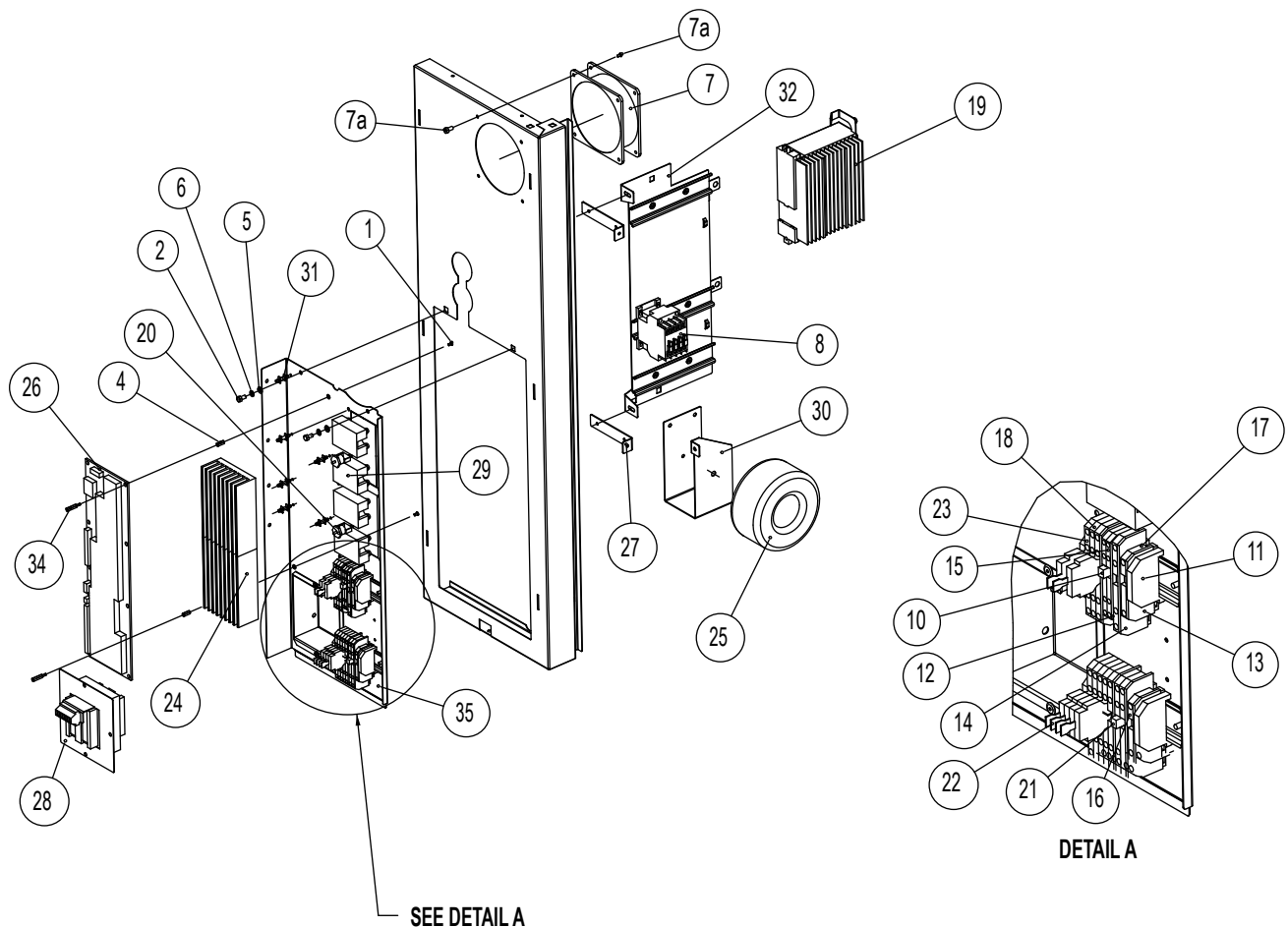
DELIMING



Ref. No.	Part No.	Description
1	60034	Screw FRH M4 x 12
2	60900	Nut M4
3	60083	Washer, spring 4mm
4	60902	Washer 4mm
5	60824	Hose pump 24VDC
6	54048	Level sensor only
7	60563	Nut M5 A2 w/flange, serrated

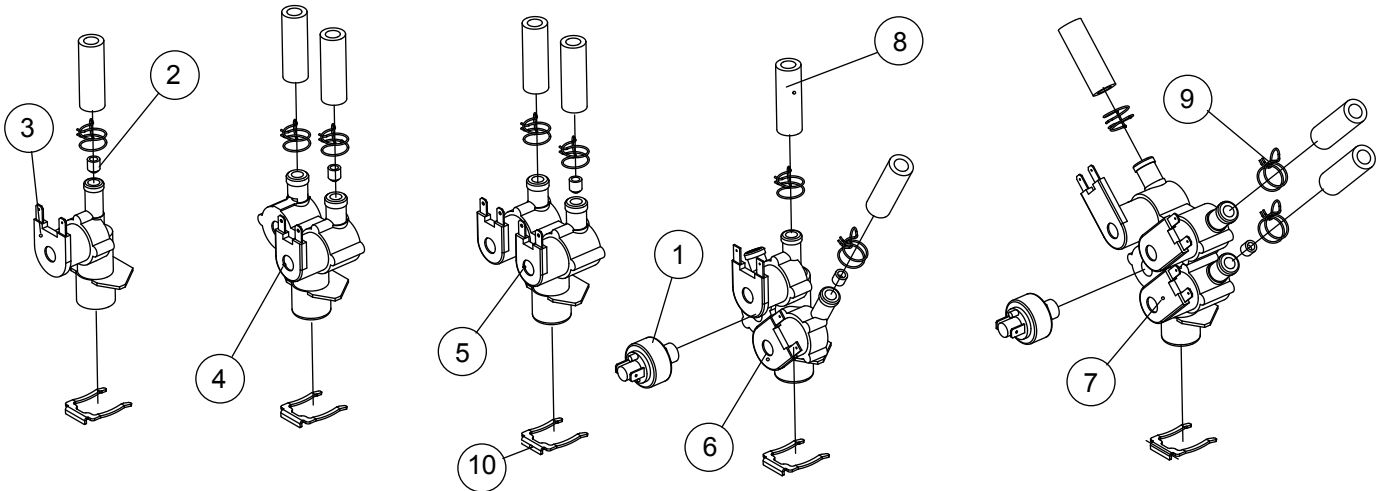
Ref. No.	Part No.	Description
8	60905	Suspension bracket for delime pump
9	60908	T-piece PP Ø10xØ10xØ6
10	52753	Silicone hose Ø8x12 mm transparent
11	60907	Suction filter
12	61330	Hose nipple, elbow Ø6x1/4"
	61331	Wiring harness for delimiting

ELECTRICAL COMPONENTS - ELECTRIC OVENS



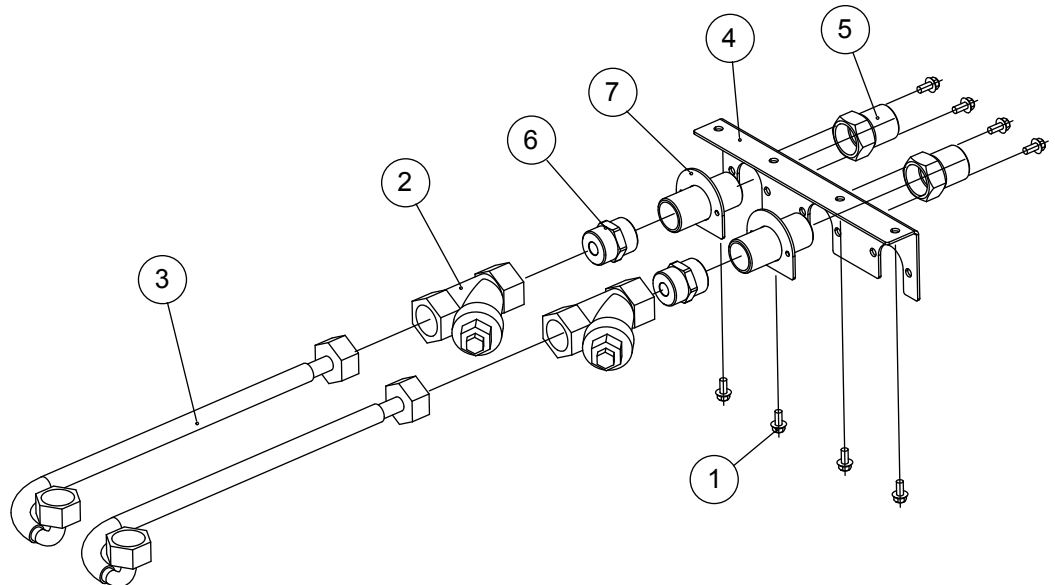
<u>Ref. No.</u>	<u>Part No.</u>	<u>Description</u>	<u>Ref. No.</u>	<u>Part No.</u>	<u>Description</u>
1	60032	Screw, M3 x 6	21	60313	Scarf joint 4Q 32A
2	60043	Screw, M5 x 10	22	60317	Fuse carrier
4	60071	Distance tube M3 x 12	23	60320	Terminal, 4-conductor, for fuse carrier
5	60084	Washer 5mm	24	60321	Cooling plate for solid state relay 1.06
6	60085	Washer, spring 5mm	24	60322	Cooling plate for solid state relay
7	60124	Fan Ø120, square	25	60329	Transformer 480-440-400/230
7	60819	Fan Ø175, round	26	60335	I/O-Board Visual Cooking I, S/N 3xx - 4xx
7a	61332	Screw Ø4.8x13 (Drilling)	26	62236	I/O-Board Visual Cooking II electric, SS/N 5xx & 6xx
8	60127	Contactor A16 24V 50/60Hz	26	62236	I/O-Board Visual Cooking II Ele 9/16 forward (61027 compatible)
8	60128	Contactor A26 24V 50/60Hz	26	62329	I/O-Board Visual Cooking II Gas 9/16 forward (60592 compatible)
8	60129	Contactor A30 24V 50/60Hz	27	60569	Retaining bracket for console
10	60261	Jumper	28	62291	Trafo 200-230-240/2x24-12
11	60262	End stop, 6mm	28	60911	Trafo 400-415-440-480/2x24-12-230
12	60265	End plate for Terminal 2.5Q, 4-pole	29	60579	Solid state relay 2x50A
13	60266	End plate for Terminal 4Q, 2-pole	30	60580	Suspension for transformer
14	60268	End plate for Terminal 4Q, 4-pole	31	60581	Retainer for circuit
15	60276	Terminal, 2,5Q, 4-pole, blue	32	60586	Console for DIN slide
16	60277	Terminal, 4Q, 2-pole, grey	34	60591	Staybolt brass M3x18 with threaded pin
17	60279	Terminal, 4Q, 2-pole, yellow/gree	35	60593	Console
18	60281	Terminal, 4Q, 4-pole, grey	R11116		Distribution block assy.
19	60330	Frequency changer 0,37kW, 208V			
19	60307	Frequency changer 0,75kW, 115V			
20	60309	Thermoswitch 120° C			

SOLENOID VALVES



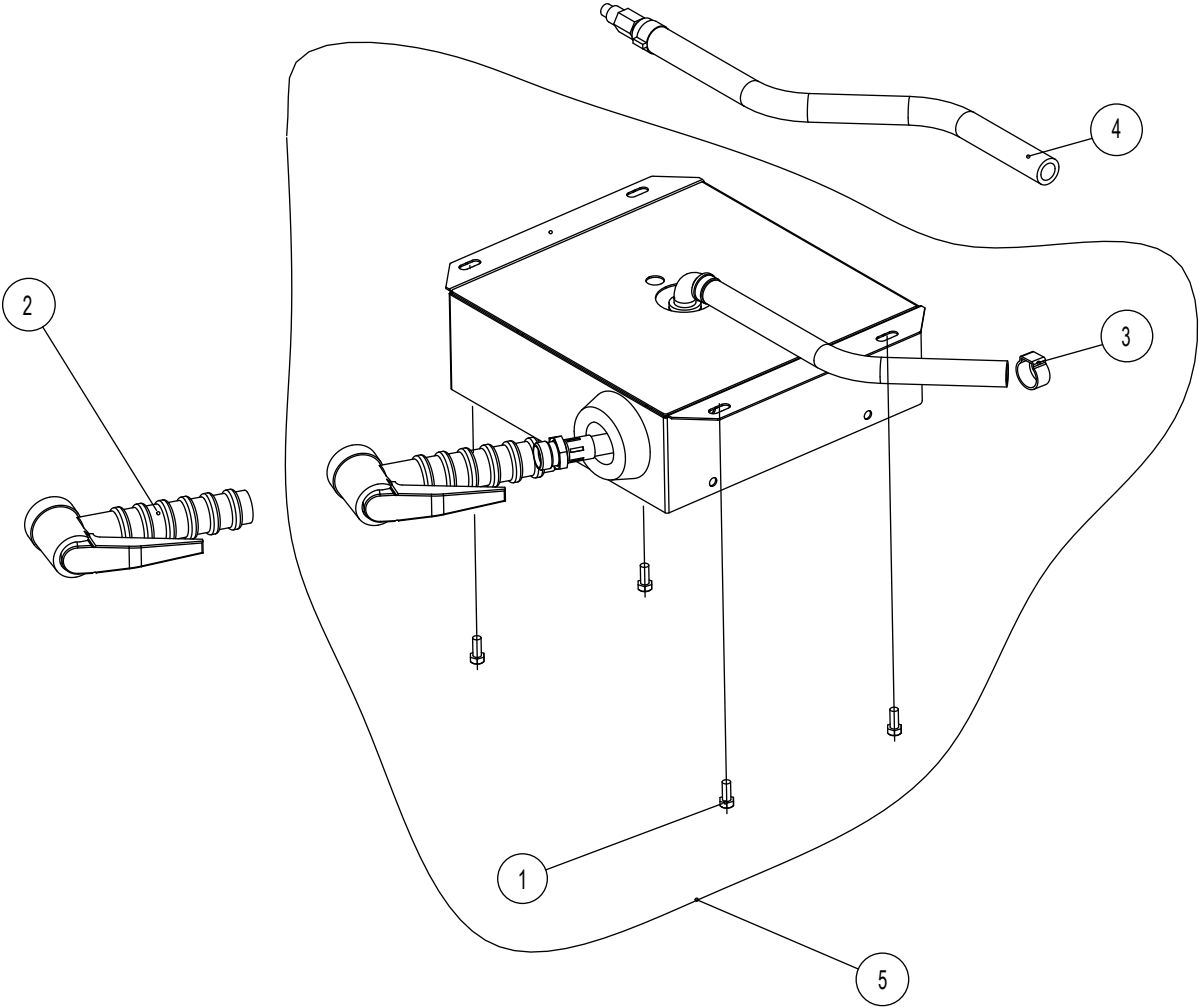
<u>Ref. No.</u>	<u>Part No.</u>	<u>Description</u>
1	60130	Pressure sensitive switch, break, 1-10 bar 1/8" outside
2	60145	Quantity limiter, white, MB 1.2ltr.
3	60917	Solenoid valve 1-way
4	60828	Solenoid valve 2-way w/1 spool
5	60827	Solenoid valve 2-way w/2 spools
6	60825	Solenoid valve 3-way w/2 spools
7	60826	Solenoid valve 4-way w/3 spools
8	60929	Hose Ø10x17 mm 15 NL
9	61333	Hose clamp Ø10 - 17 mm
10	60539	Plastic clip for solenoid valve

WATER/GAS INLET



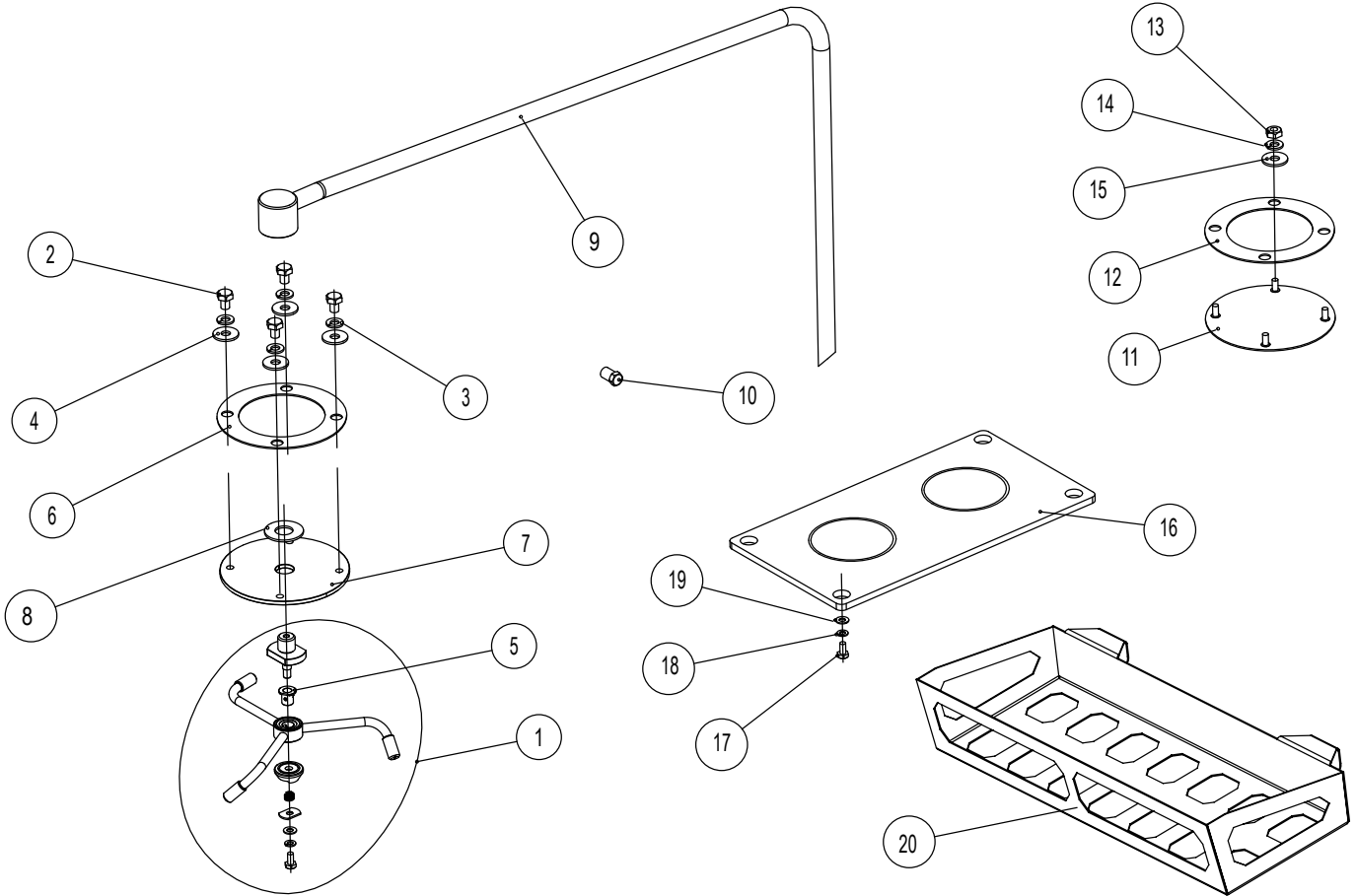
<u>Ref. No.</u>	<u>Part No.</u>	<u>Description</u>
1	60066	Screw, M5 x 12 A2
2	60918	Water filter 3/4"
3	60919	Hose 3/4" elbow
4	60920	Suspension bracket
5	60921	Adapter 3/4"RG-3/4"GHT
6	60922	Connector 3/4x3/4 in male/male
7	60923	Adapter 3/4"RG-3/4"GHT

HAND SHOWER



Ref. No.	Part No.	Description
1	60066	Screw M5 x 12
2	60121	Hand Shower – Spray Head
3	61333	Hose clamp Ø17.3 mm
4	60562	Threaded branch with hose for roll-up hose
5	61334	Hand shower complete

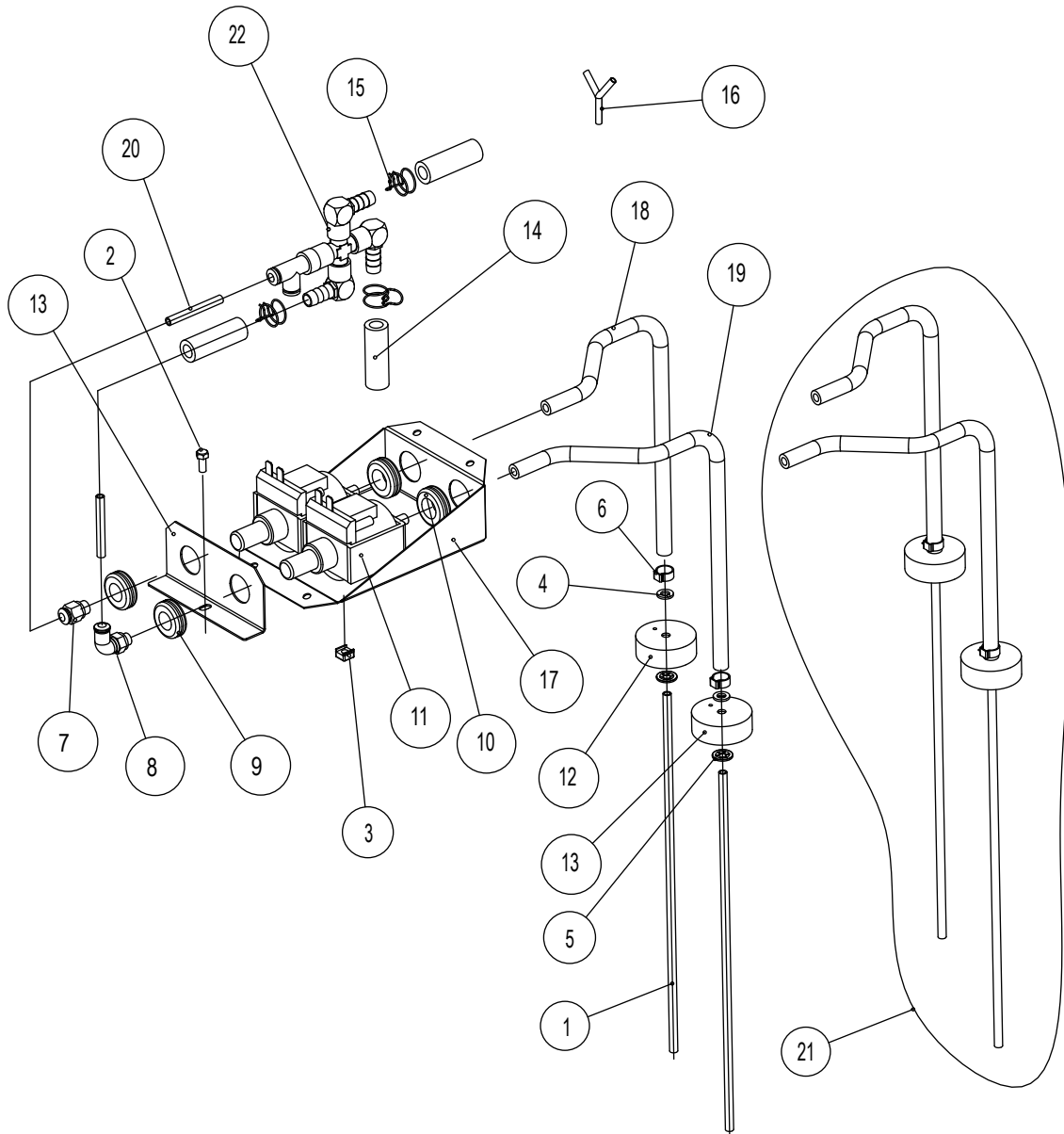
COMBIWASH



Ref. No.	Part No.	Description
1	61335	Nozzle arm Complete
2	60062	Screw, set M6 x 8
3	M0417	Washer, spring 6mm
4	60090	Washer 6mm
5	60099	Bearing Ø6xØ8x10
6	61097	Gasket for motor bearing
7	60196	Bearing flange
8	60200	Washer, copper Ø12.5 x Ø27 x 1.5
9	60545	Tube for CombiWash 61
9	60544	Tube for CombiWash 101
9	61336	Tube for CombiWash 62
9	60549	Tube for CombiWash 102
9	60540	Tube for CombiWash 202
10	61337	Plug 1/8" (No cleaning nozzle)

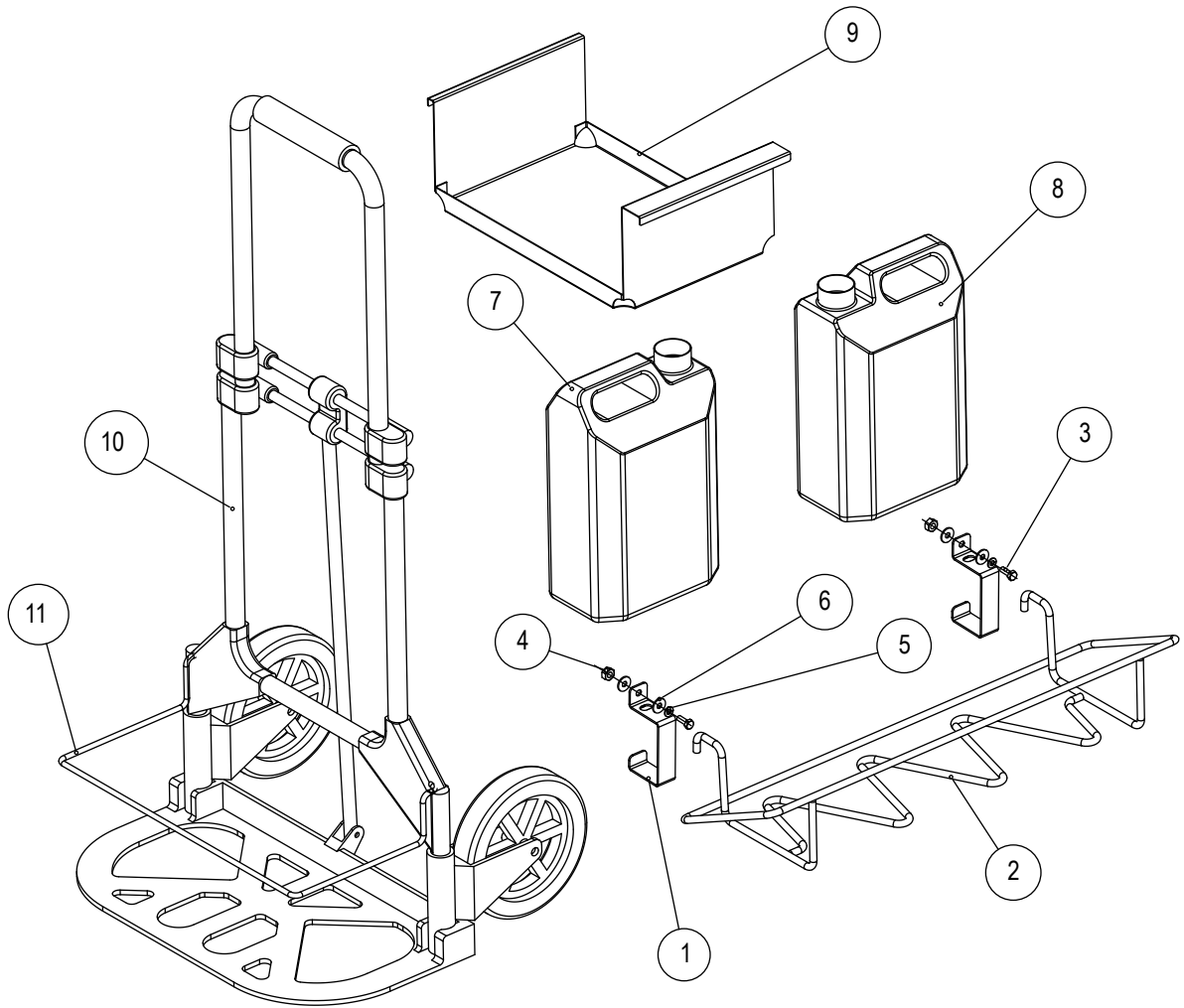
Ref. No.	Part No.	Description
11	61338	Blank-off plate for top, welded
12	61097	Gasket for bearing
13	60072	Nut M5
14	60085	Washer, spring 5mm
15	60087	Washer 5mm
16	61339	Cover no detergent/rinse pumps
17	60046	Screw FRH M5 x 12
18	60085	Washer, spring 5mm
19	60087	Washer 5mm
20	60776	Tray for CombiWash canisters

COMBIWASH PUMPS AND SOLENOID VALVES



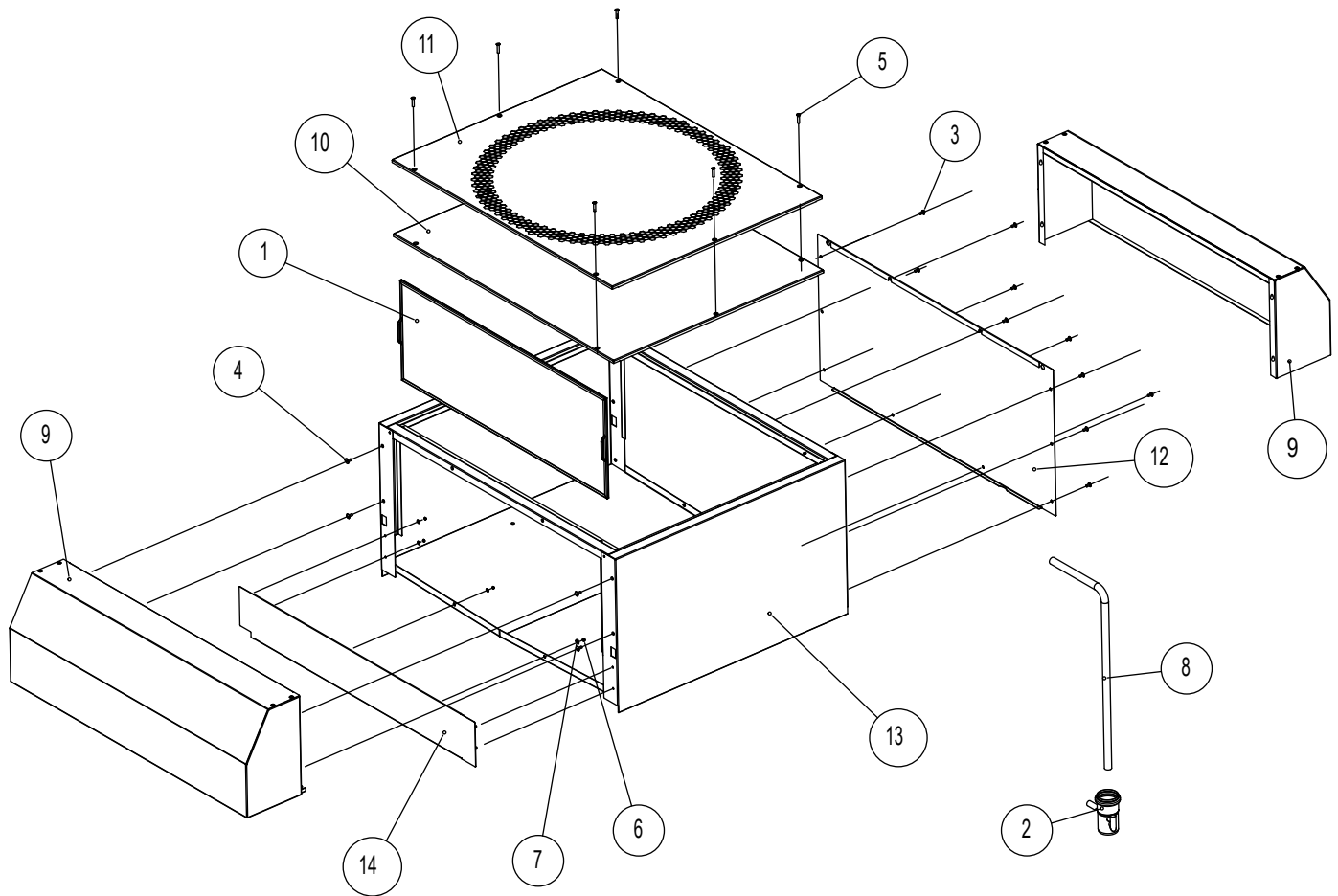
Ref. No.	Part No.	Description	Ref. No.	Part No.	Description
1	60009	Suction tube	13	60517	Bracket for pumps for detergent
2	60066	Screw, M5 x 12	14	60526	Hose Ø10x17 mm 15 NL
3	60079	Nut M5 Clips	15	60533	Hose clamp Ø17.3 mm
4	60088	Washer 6mm	16	60540	Y-piece
5	60097	Locking ring Ø6	17	60570	Console for pump for detergent
6	60102	Clip 13.8mm	18	60010	Suction hose, red, for detergent
7	60112	Quick action coupling Ø6x1/8"	19	60011	Suction hose, blue, for rinse aid
8	60117	Lightning fitting 90° 1/8 Ø6	20	60106	Tube Ø6mm
9	60139	Lead-in Ø14/Ø20x1.5	21	61136	CombiWash hoses 1200 mm
10	60141	Lead-in Ø16/Ø22x1.5	22	61341	Distribution junction for CombiWash, 61, 101, 62, 102
11	60194	Pump for detergent/rinse aid, 24 V	22	61342	Distribution junction for CombiWash, 202
12	61340	Screw cap for oven detergent, CombiClean			

COMBIWASH CANISTER STORAGE



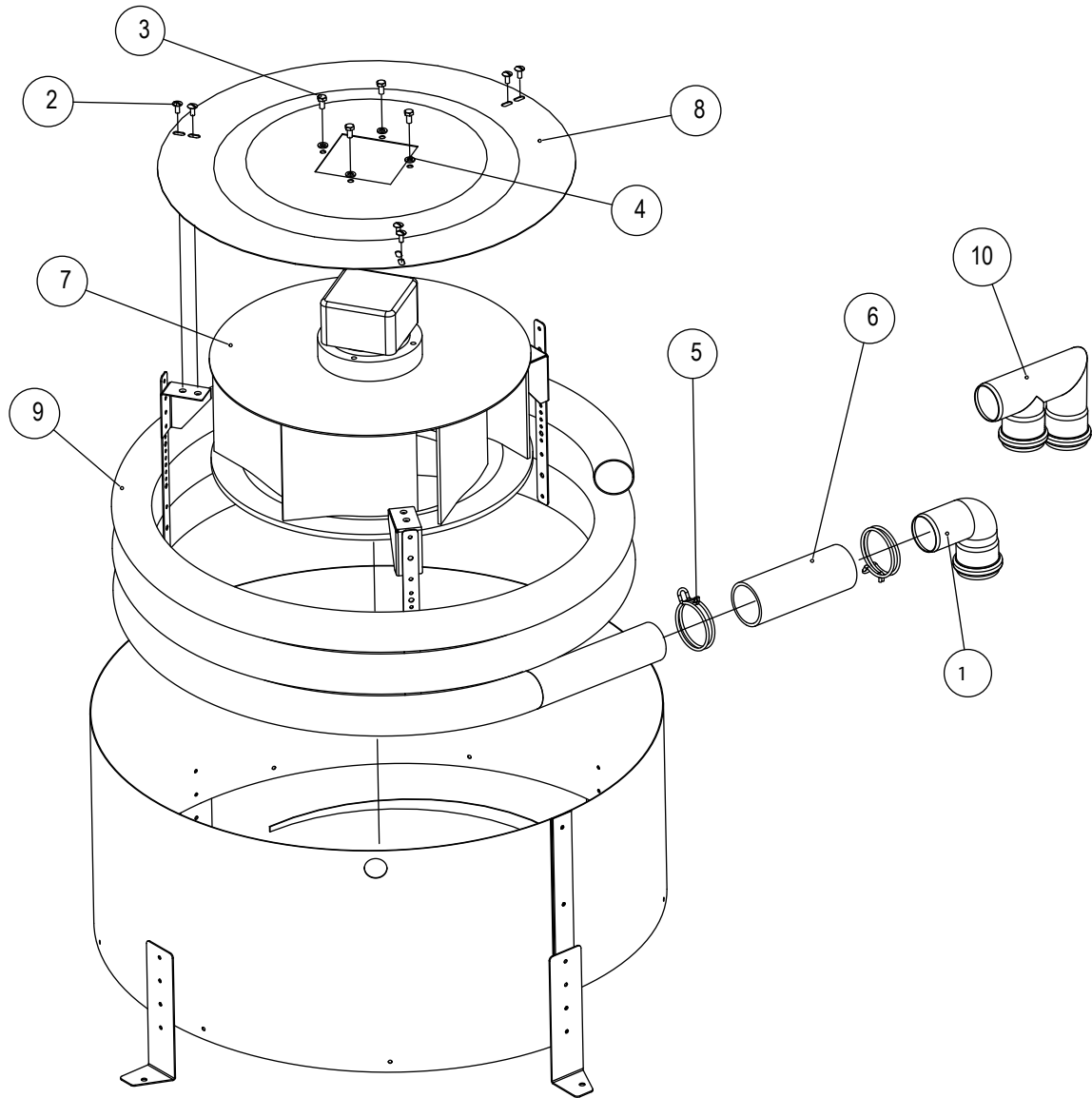
Ref. No.	Part No.	Description
1	60012	Bracket for suspension of CombiClean canisters
2	60023	Holder for CombiClean canisters
3	60054	Screw, set M6 x 16
4	60074	Nut M6
5	M0417	Washer, spring 6mm
6	60090	Washer 6mm
7	60202	Oven detergent, CombiWash, 2 x 5 ltr (245290)
8	60203	Rinsing agent, CombiWash, 2 x 5 ltr (245291)
9	60352	Tray for CombiWash canisters
10	60360	Trolley for canisters, foldable
11	60361	Bracket for trolley

OPTIONAL EXTRACTION HOOD



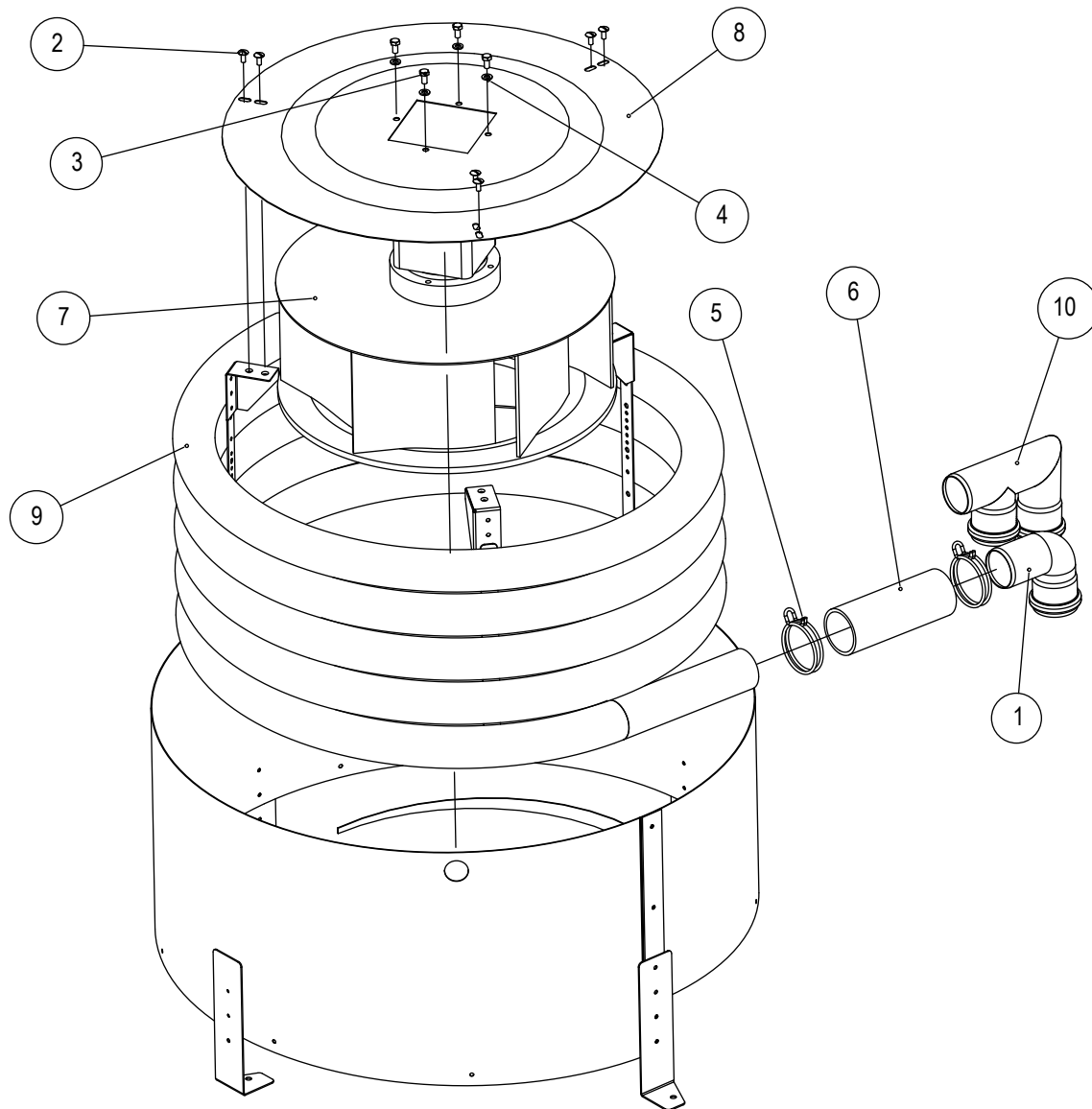
Ref. No.	Part No.	Description
1	60018	Fat filter for ex-traction hood 1/1GN
1	60359	Fat filter for ex-traction hood 2/1GN
2	60022	Tube
3	60044	Screw M5 x 10
4	60046	Screw M5 x 12
5	60048	Screw M5 x 25
6	60069	Nut M3
7	60086	Washer 3mm
8	60143	Hose Ø12x3
9	60355	Front part for ex-traction hood 1/1
9	60358	Front part for ex-traction hood 2/1
10	60603	Roof for extraction hood 1/1
10	60608	Roof for extraction hood 2/1
11	60604	Roof for con-densing extraction hood 1/1
11	60609	Roof for con-densing extraction hood 2/1
12	60605	Rear plate for extraction hood 1/1
12	60607	Rear plate for extraction hood 1/1
13	60610	Extraction Hood 1/1GN
13	60611	Extraction Hood 2/1GN
14	60612	Front plate for extraction hood 1/1GN
14	60614	Front plate for extraction hood 1/1GN

CONDENSER FOR EXTRACTION HOOD - BAKING MODELS



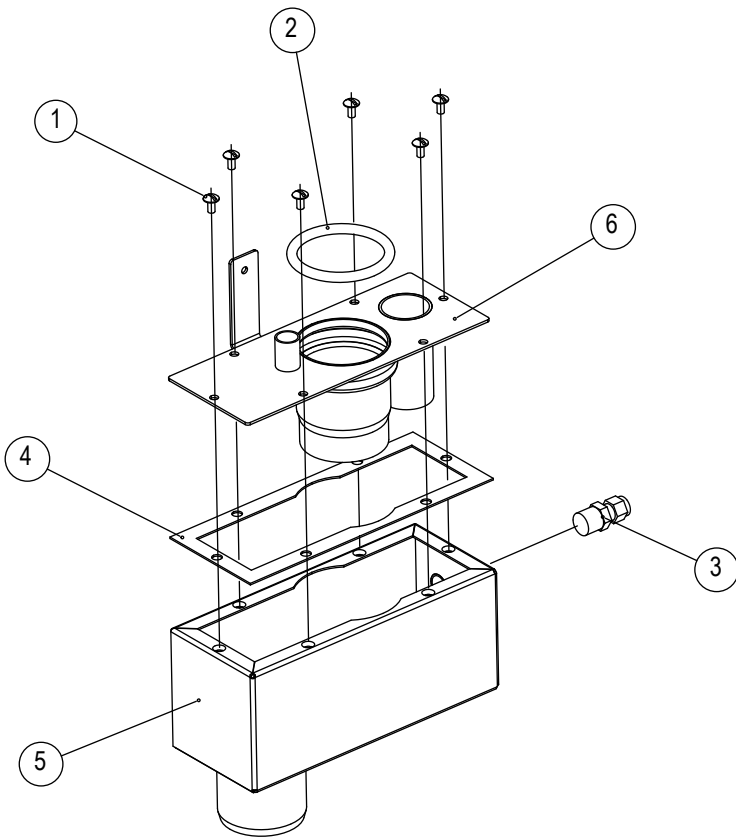
Ref. No.	Part No.	Description
1	60031	Elbow Ø50 x 90°
2	60046	Screw FRH M5 x 12
3	60053	Screw, set M6 x 12
4	60088	Washer 6mm
5	60100	Hose clamp Ø58-61 mm
6	60192	Hose L=155
7	61344	Fan motor for extraction hood
8	60354	Air shield for motor
9	60357	Spiral tube Ø50x600x2900
10	60556	Tube for exhaust condensing for double stack ovens
	60616	Mounting kit for extraction hood with condensation

CONDENSER FOR EXTRACTION HOOD - COOKING MODELS



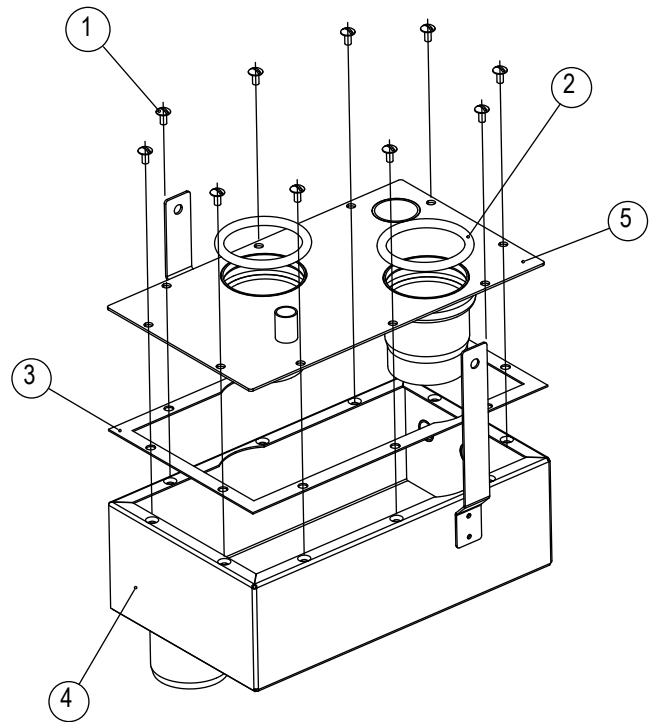
Ref. No.	Part No.	Description
1	60031	Elbow Ø50 x 90°
2	60046	Screw FRH M5 x 12
3	60053	Screw, M6 x 12
4	60088	Washer 6mm
5	60100	Hose clamp Ø58-61 mm
6	60192	Hose L=155
7	61344	Fan motor for extraction hood
8	60354	Air shield for motor
9	60356	Spiral tube Ø50 x 600 x 4500
10	60556	Tube for exhaust condensing CombiPlus
	60616	Mounting kit for extraction hood with condensation

WATER SEAL FOR CONDENSER



SINGLE OVENS

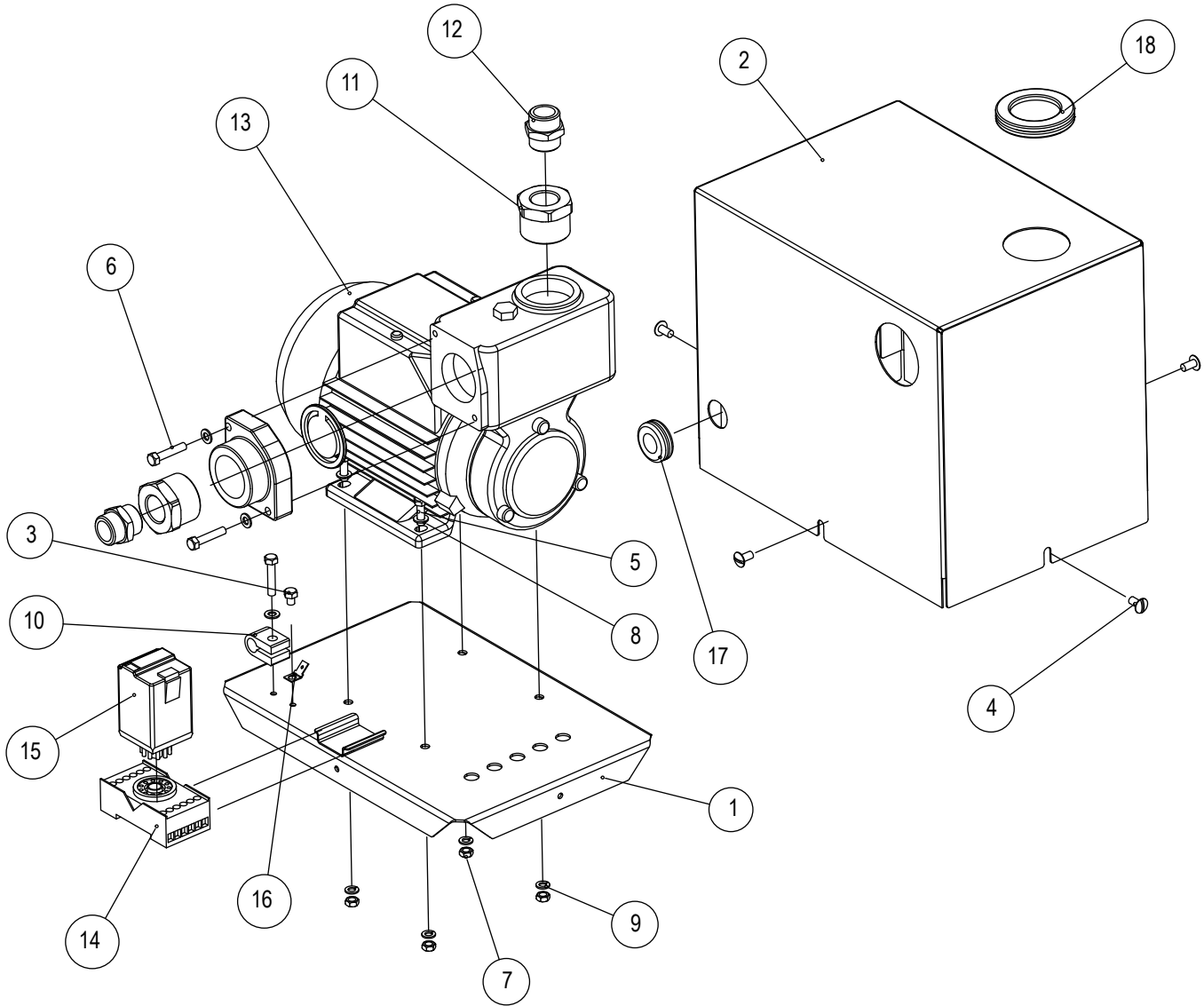
Ref. No.	Part No.	Description
1	60035	Screw FRH M4 x8
2	60103	O-ring Ø47.2x5.7
3	60109	Nipple Ø6x1/4
4	60195	Gasket for water seal
5	60206	Container for water seal
6	60207	Cover for water seal



DOUBLE STACKED OVENS

Ref. No.	Part No.	Description
1	60035	Screw FRH M4 x8
2	60103	O-ring Ø47.2x5.7
3	60538	Gasket for siphon, double stack
4	60557	Housing for siphon welded
5	60558	Cover for container welded

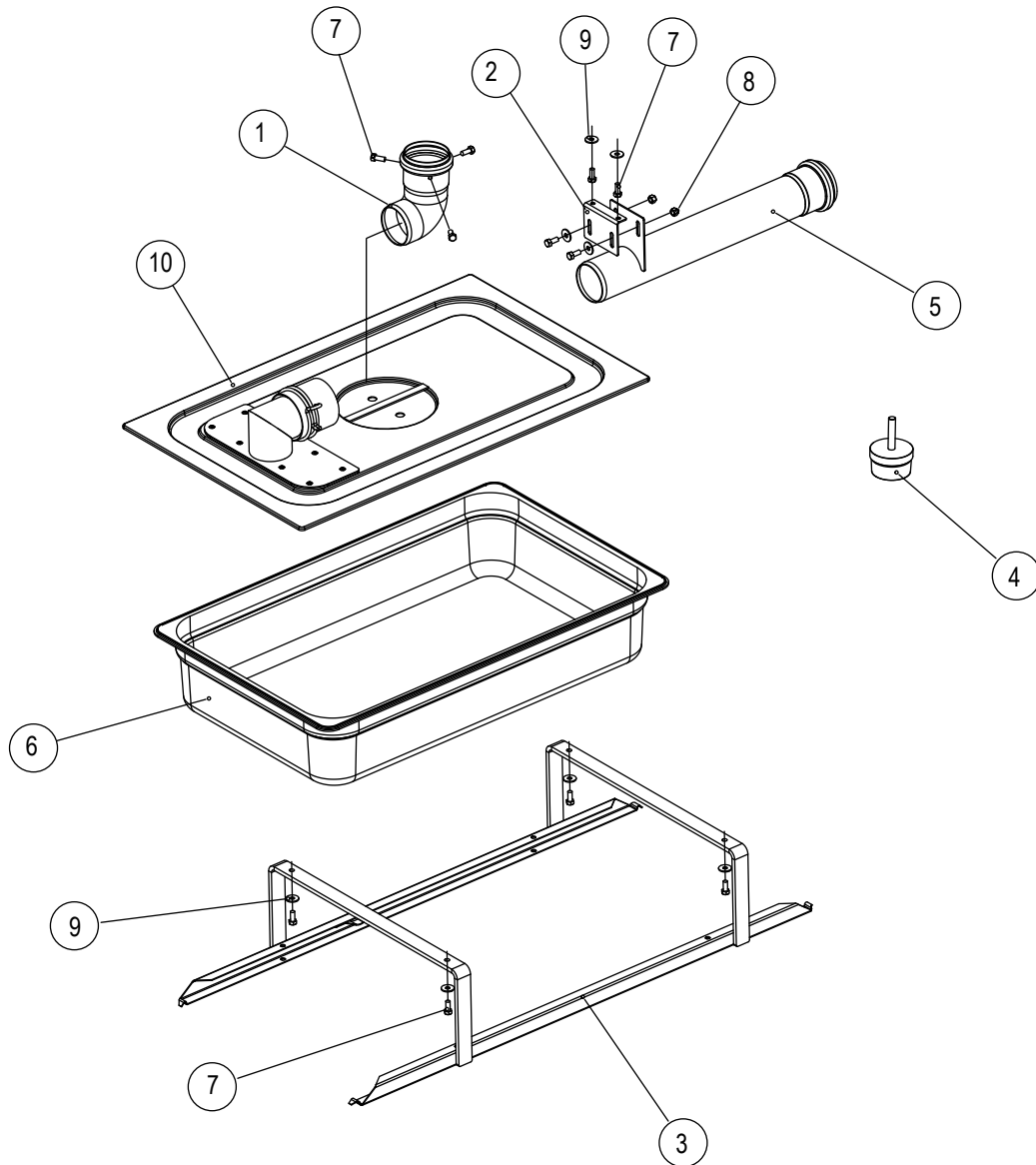
BOOSTER PUMP, COMBIWASH



Ref. No.	Part No.	Description
1	60027	Plate for pump
2	60028	Cover for pump
3	60042	Screw, set M5 x 6
4	60044	Screw FRH M5 x 10
5	60047	Screw, set M5 x 16
6	60058	Screw, set M5 x 25
7	60072	Nut M5
8	60084	Washer 5mm
9	60085	Washer, spring 5mm
10	60093	Cable clamp
11	60119	Reduction nipple 1x1/2

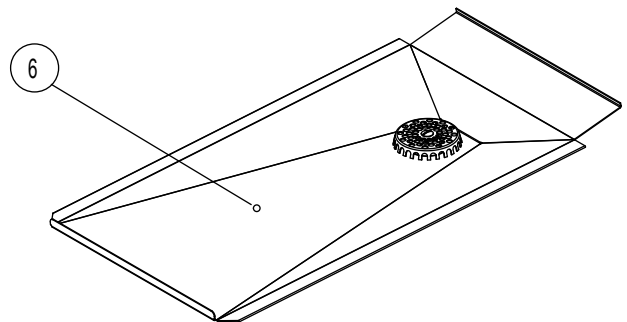
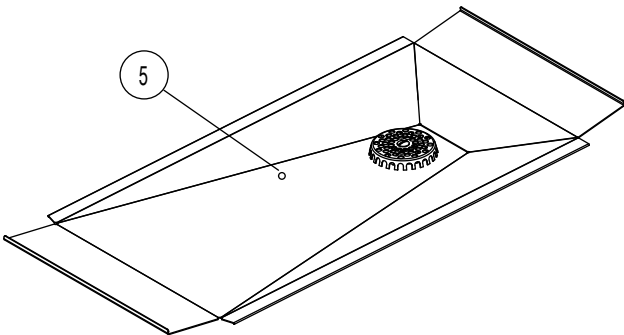
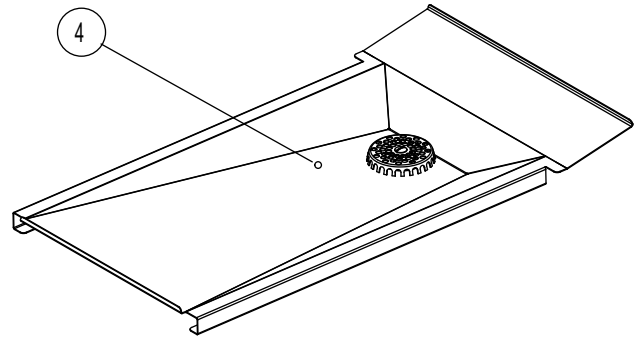
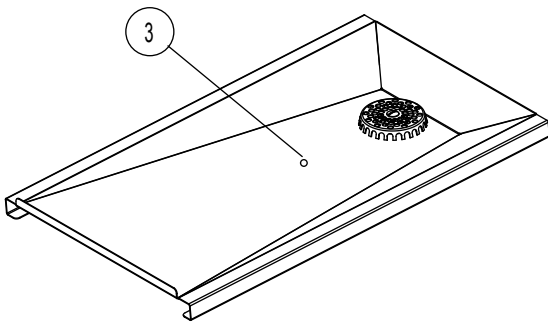
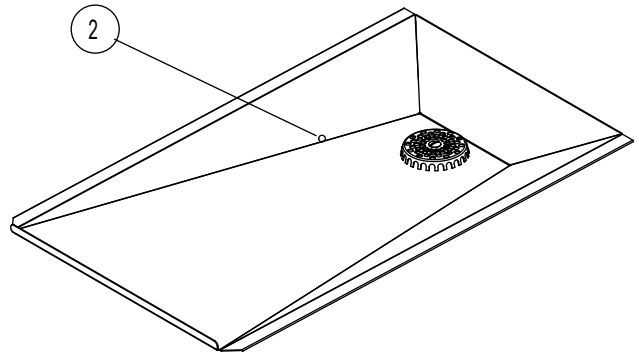
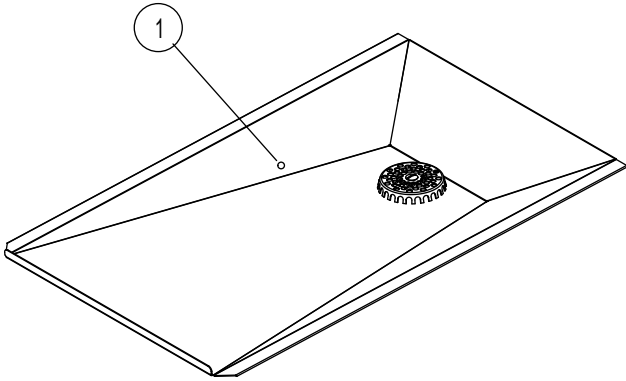
Ref. No.	Part No.	Description
12	60120	Hexagon nipple 1/2"
13	60125	Booster pump CombiClean
14	60131	DIN-base, S411
15	60132	Pin relay 24V
16	60138	Cable socket for earth
17	60139	Lead-in Ø14/Ø20x1.5
18	60140	Membrane grommet Ø47
	61345	Booster pump CombiClean

OPTIONAL FAT SEPARATOR



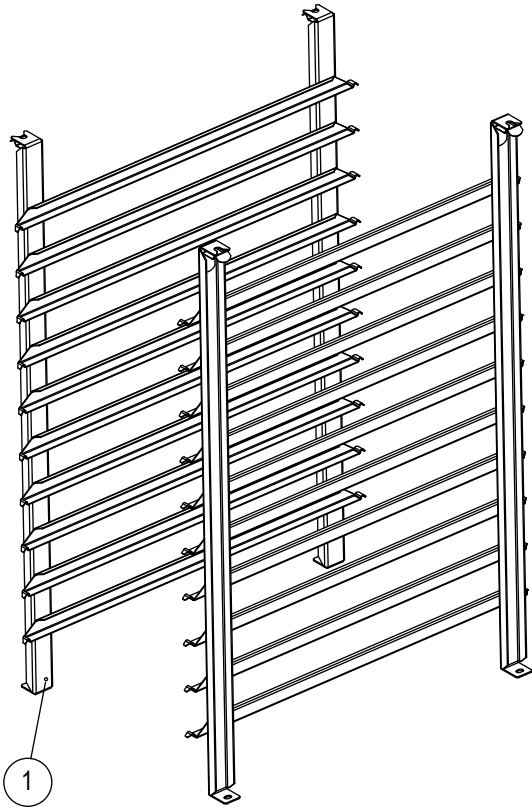
Ref. No.	Part No.	Description
1	60014	Elbow 87,5° for fat
2	60016	Bracket for fat
3	60024	Suspension bracket for fat container
4	60025	Plug for fat
5	60026	Pipe for drain for fat
6	60029	Container 1/1GN 100mm
6	60030	Container 1/1GN 150mm
7	60045	Schraube, Satz
8	60073	Nut
9	60087	Washer
10	60559	Cover for fat container, Ø50/Ø50

INTERCEPTOR TRAYS

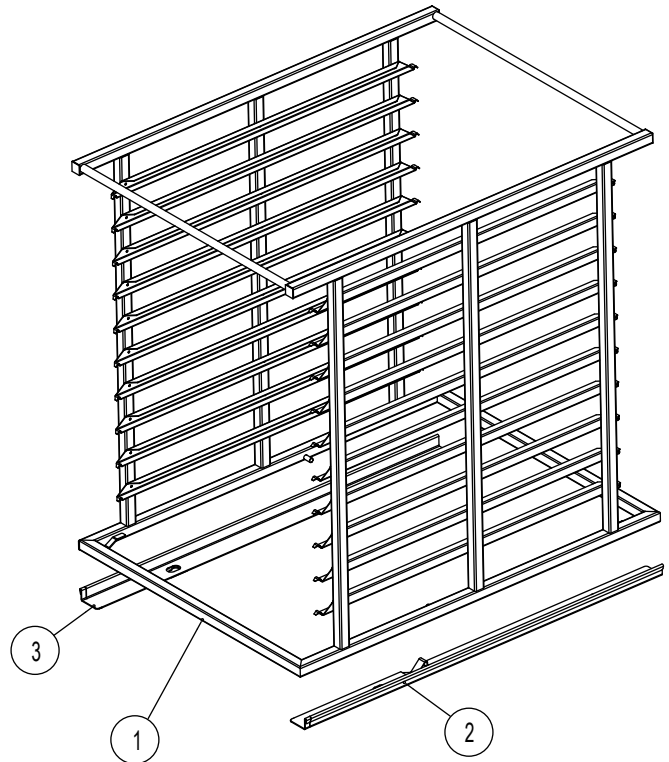


Ref. No.	Part No.	Description
1	61346	Interceptor tray for rack, cassette 400x600
2	61347	Interceptor tray for rack, cassette 400x600, PassThrough
3	61348	Interceptor tray for 1/1GN 2-piece rack
4	61349	Interceptor tray for 1/1GN 2-piece rack with extension front and back
5	61350	Interceptor tray for rack, cassette 1/1GN
6	61351	Interceptor tray for rack, cassette 1/1GN, PassThrough

RACKS



TWO PIECE RACK

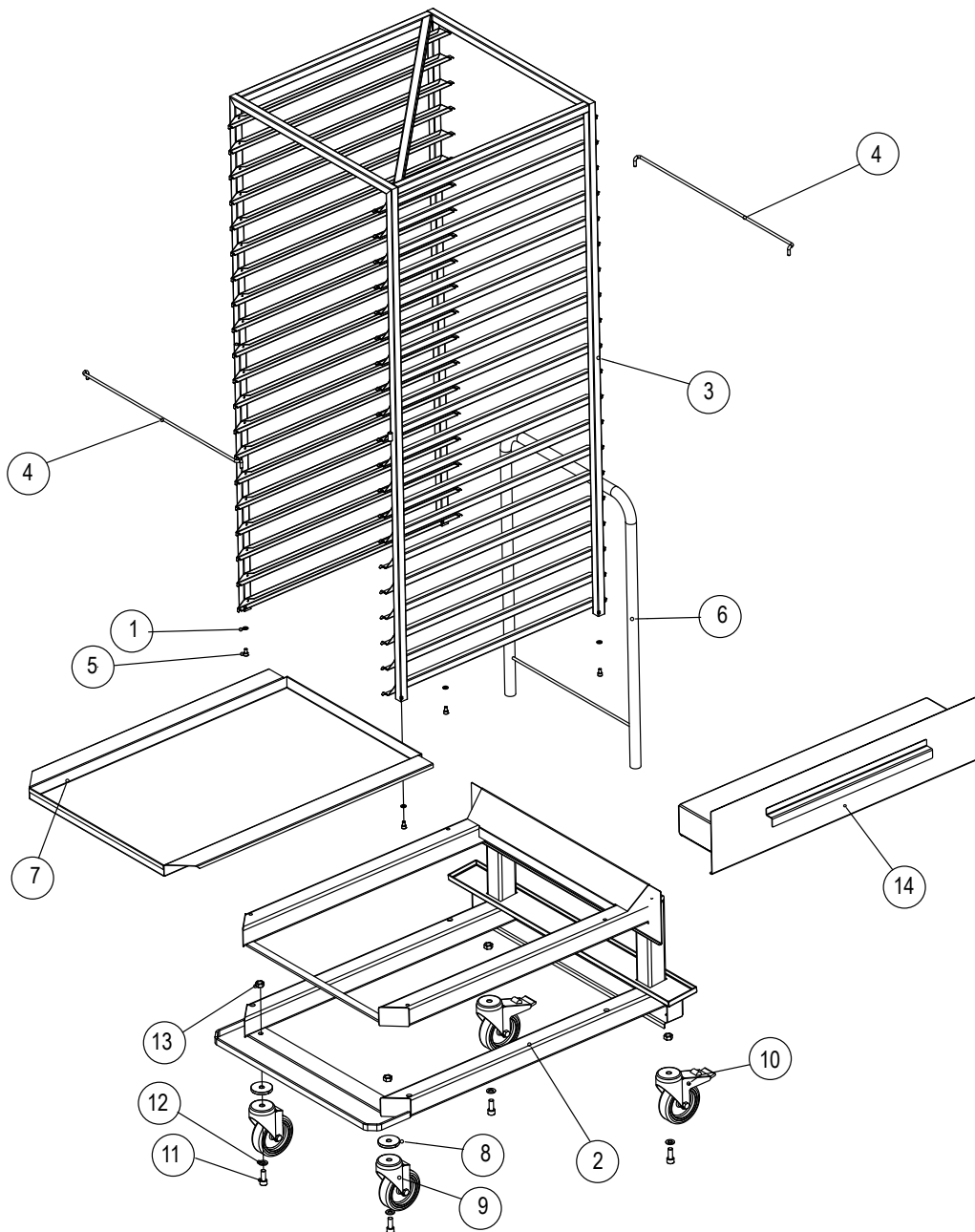


RACK CASSETTE

Ref. No.	Part No.	Description
1	60663	Rack. two-piece 61, 1/1 GN, 65 mm, 1/2 size US sheet pans
1	60748	Rack. two-piece 61, 1/1 GN, 85 mm, 1/2 size US sheet pans
1	60692	Rack. two-piece 101, 1/1 GN, 65 mm, 1/2 size US sheet pans
1	60745	Rack. two-piece 101, 1/1 GN, 85 mm, 1/2 size US sheet pans
	60683	12-3/4" x 20-7/8" wire rack
	R1013	21" x 26" wire rack

Ref. No.	Part No.	Description
1	61365	Rack, cassette 62, 65 mm U runners
1	61366	Rack, cassette 62, 85 mm U-runners
1	60750	Rack, cassette 102, GN, 65mm, U-runner
1	60751	Rack, cassette 102, GN, 85mm, U-runner
2	61367	Guide for rack, right, 2/1GN
3	61368	Guide for rack, left, 2/1GN

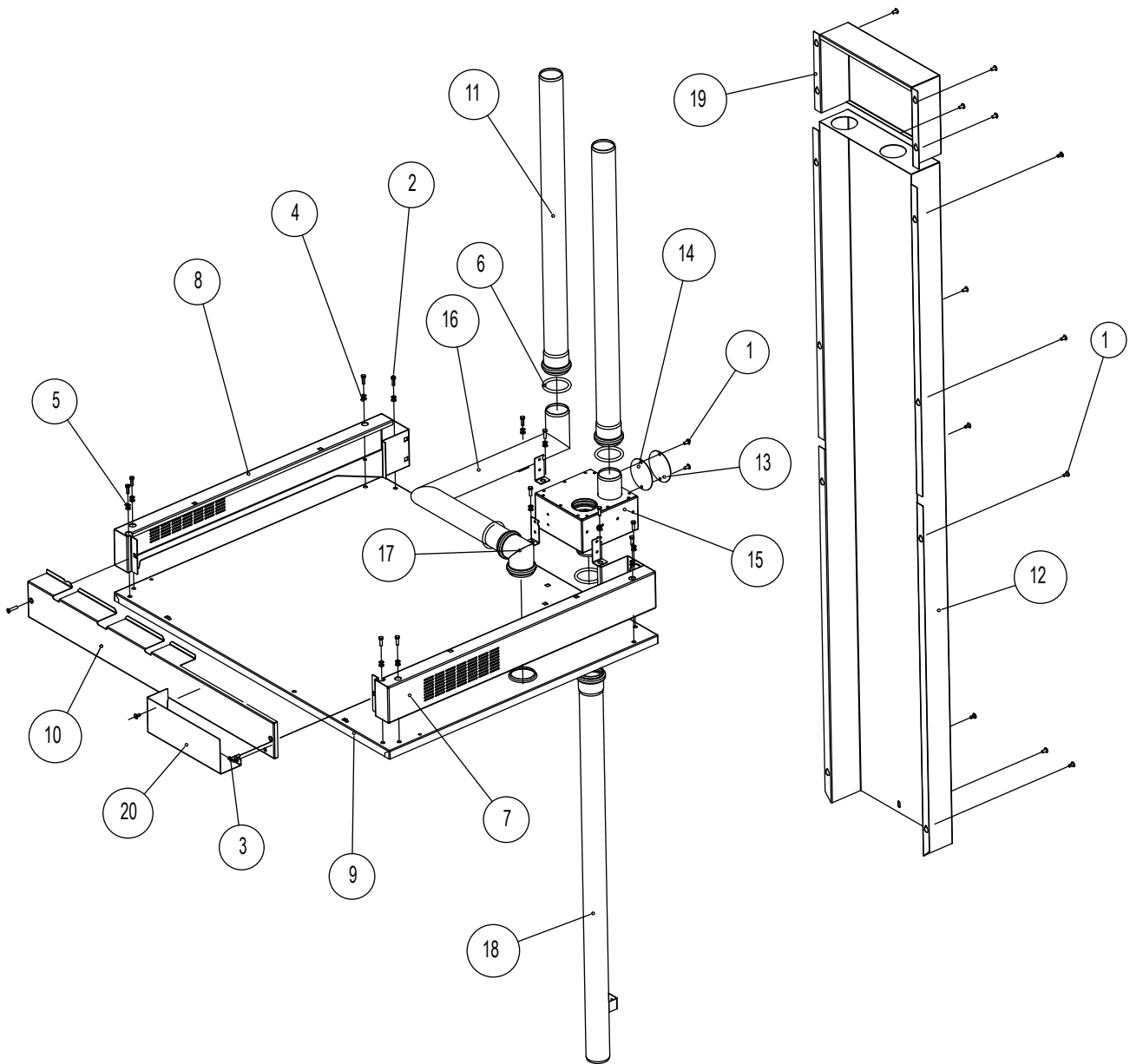
ROLL-IN RACKS



Ref. No.	Part No.	Description
1	M0417	Washer, spring 6mm
2	61127	Trolley for 202 roll-in, without rack.
3	61369	Rack, Roll-in 202 spacing 67mm, U-runner
3	61370	Rack, Roll-in 202 spacing 85mm, U-runner
4	61371	Brace for rack 2/1GN
5	61372	Screw, unbrako, CH M6 x10, A2
6	61373	Handle for roll-in trolley 2.20
7	61374	Drip tray 2/1 Roll-in
8	61375	Shim washer
9	61376	Wheel excl. brake, ss Ø100

Ref. No.	Part No.	Description
10	61377	Wheel with brake, ss, Ø100
11	61378	Screw M10x25
12	61379	Washer 10mm
13	61380	Nut M10
14	61239	Preheat Bridge
	61892	Complete 202 Trolley, 67mm
	61893	Complete 202 Trolley, 85mm

STACKING KIT, 61-61 & 61-101

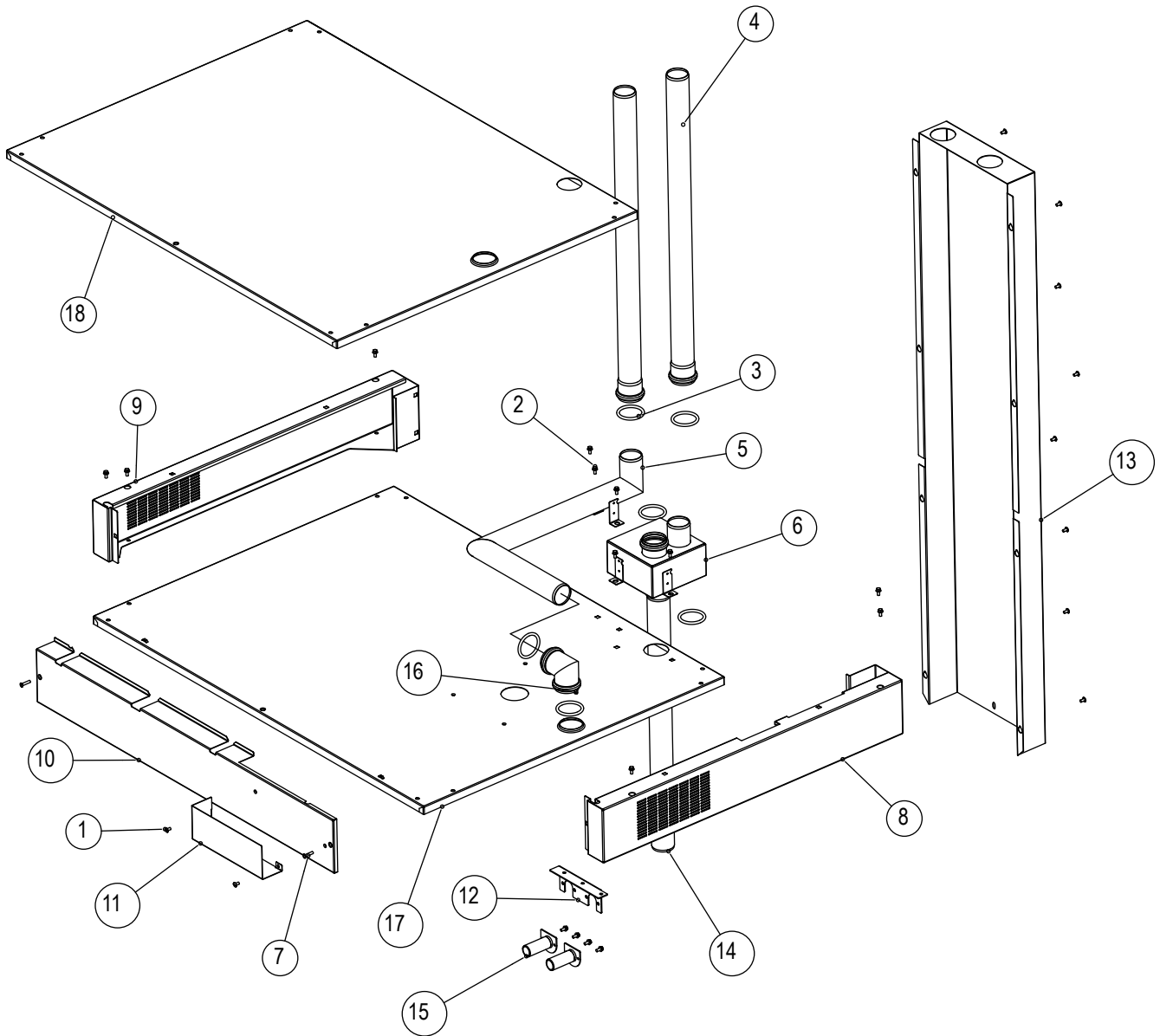


Ref. No.	Part No.	Description
1	60044	Screw FRH M5 x 10
2	60047	Screw, set M5 x 16
3	60048	Screw M5 x 25
4	60084	Washer 5mm
5	60085	Washer, spring 5mm
6	60103	O-ring Ø49.2x5.7
7	60374	Adapter RH
8	60383	Adapter LH
9	60395	Top panel 1/1 w/2 exhaust valves
10	60396	Adapter front LH
10	60396	Adapter front RH
11	61456	Exhaust tube 61 stacked upper, with O-ring
12	60529	Cover for tubing 61-101
12	60530	Cover for tubing 61-61

Ref. No.	Part No.	Description
13	60536	Cover for housing for exhaust
14	60537	Gasket
15	60543	Housing for exhaust welded
16	60552	Exhaust tube for roof welded
17	61352	Connector for exhaust welded
18	60554	Exhaust tube 61 lower
18	60555	Exhaust tube 101 lower
19	60606	Cover for exhaust for stacked ovens
20	61353	Suction cover for front panel

See page 51 for complete stacking kit including stand.

STACKING KIT, 62-62 & 62-102



Ref. No.	Part No.	Description
1	60044	Screw FRH M5 x 10
2	60066	Hexagonal Serrated Screw M5 x 12
3	60103	O-ring Ø49.2x5.7
4	61354	Exhaust tube C/P 1.06 upper
5	61355	Exhaust tube for roof 2/1
6	61356	Housing for exhaust CP 2/1
7	60048	Screw M5 x 25
8	61357	Adapter 2/1 RH
9	61358	Adapter 2/1 LH
10	61359	Adapter front 2/1 LH
10	61360	Adapter front 2/1 RH
11	61353	Suction cover for front panel
12	61361	Suspension plate

Ref. No.	Part No.	Description
13	61362	Cover for tubing 62-62
13	61363	Cover for tubing 62-102
14	60554	Exhaust tube 62 lower
14	60555	Exhaust tube 102 lower
15	60923	Adapter 3/4" RG-3/4" GHT
16	61352	Elbow Ø50/Ø50
17	61364	Roof 1/1 w/2 exhaust valves 62-62 & 62-102
18	60386	Roof 2/1 w/2 exhaust valves

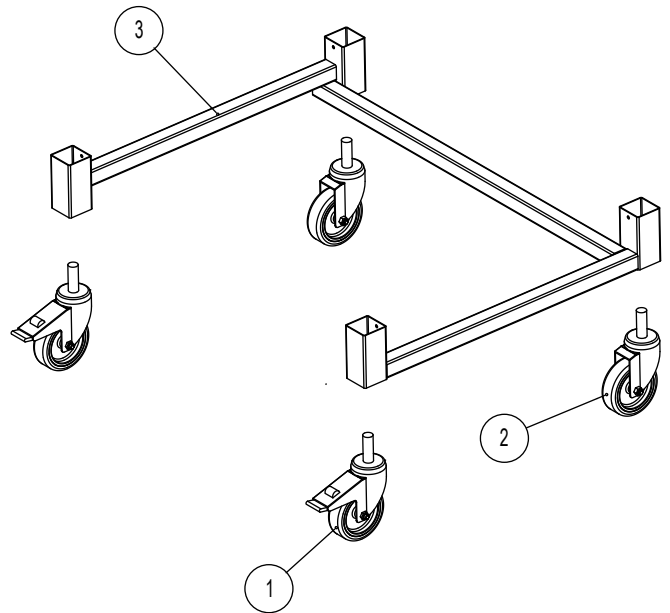
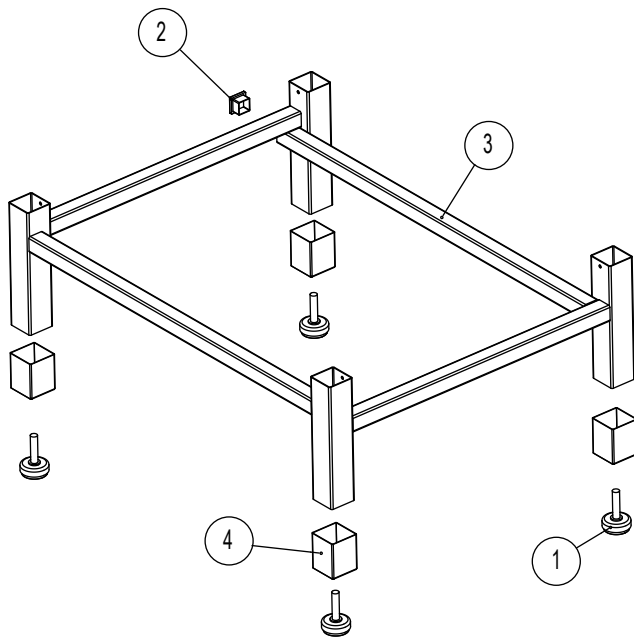
See page 51 for complete stacking kit including stand.

COMPLETE STACKING KITS (INCLUDES STAND)

Part No.	Description
61413	Stacking kit, gas, 61/61 LH (stand w/feet)
61414	Stacking kit, gas, 61/61 LH (stand w/casters)
61415	Stacking kit, gas, 61/61 RH (stand w/feet)
61416	Stacking kit, gas, 61/61 RH (stand w/casters)
61417	Stacking kit, gas, 62/62 LH (stand w/feet)
61418	Stacking kit, gas, 62/62 LH (stand w/casters)
61419	Stacking kit, gas, 62/62 RH (stand w/feet)
61420	Stacking kit, gas, 62/62 RH (stand w/casters)
61421	Stacking kit, gas, 61/101 LH (stand w/feet)
61422	Stacking kit, gas, 61/101 LH (stand w/casters)
61423	Stacking kit, gas, 61/101 RH (stand w/feet)
61424	Stacking kit, gas, 61/101 RH (stand w/casters)
61425	Stacking kit, gas, 62/102 LH (stand w/feet)
61426	Stacking kit, gas, 62/102 LH (stand w/casters)
61427	Stacking kit, gas, 62/102 RH (stand w/feet)
61428	Stacking kit, gas, 62/102 RH (stand w/casters)

Part No.	Description
61430	Stacking kit, electric, 61/61 LH (stand w/feet)
61431	Stacking kit, electric, 61/61 LH (stand w/casters)
61432	Stacking kit, electric, 61/61 RH (stand w/feet)
61433	Stacking kit, electric, 61/61 RH (stand w/casters)
61434	Stacking kit, electric, 62/62 LH (stand w/feet)
61435	Stacking kit, electric, 62/62 LH (stand w/casters)
61436	Stacking kit, electric, 62/62 RH (stand w/feet)
61437	Stacking kit, electric, 62/62 RH (stand w/casters)
61438	Stacking kit, electric, 61/101 LH (stand w/feet)
61439	Stacking kit, electric, 61/101 LH (stand w/casters)
61440	Stacking kit, electric, 61/101 RH (stand w/feet)
61441	Stacking kit, electric, 61/101 RH (stand w/casters)
61442	Stacking kit, electric, 62/102 LH (stand w/feet)
61443	Stacking kit, electric, 62/102 LH (stand w/casters)
61444	Stacking kit, electric, 62/102 RH (stand w/feet)
61445	Stacking kit, electric, 62/102 RH (stand w/casters)

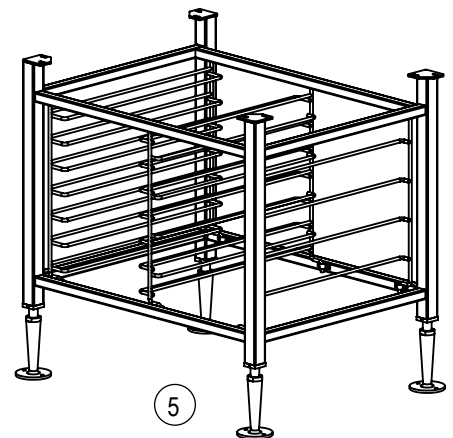
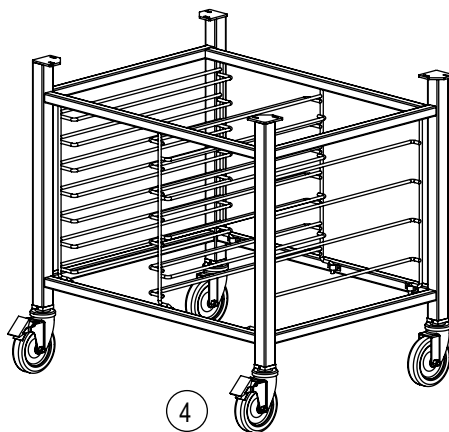
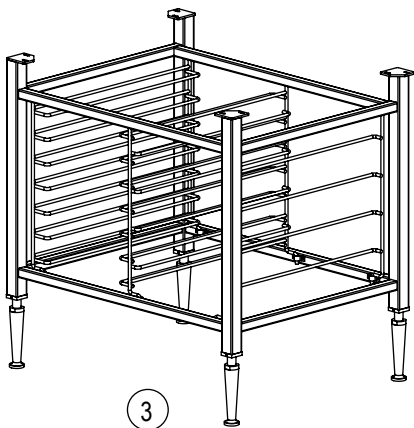
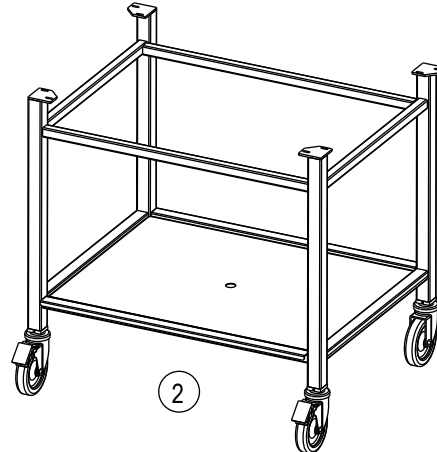
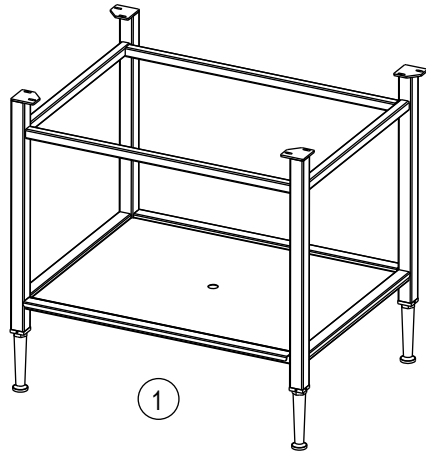
STANDS FOR DOUBLE OVENS



Ref. No.	Part No.	Description
1	61381	Adjust.screw cpl. Ø50-M12x50
2	61382	Nut 30x30mm
3	61387	Stand 1/1-GN CombiPlus, standard
4	61383	Cover

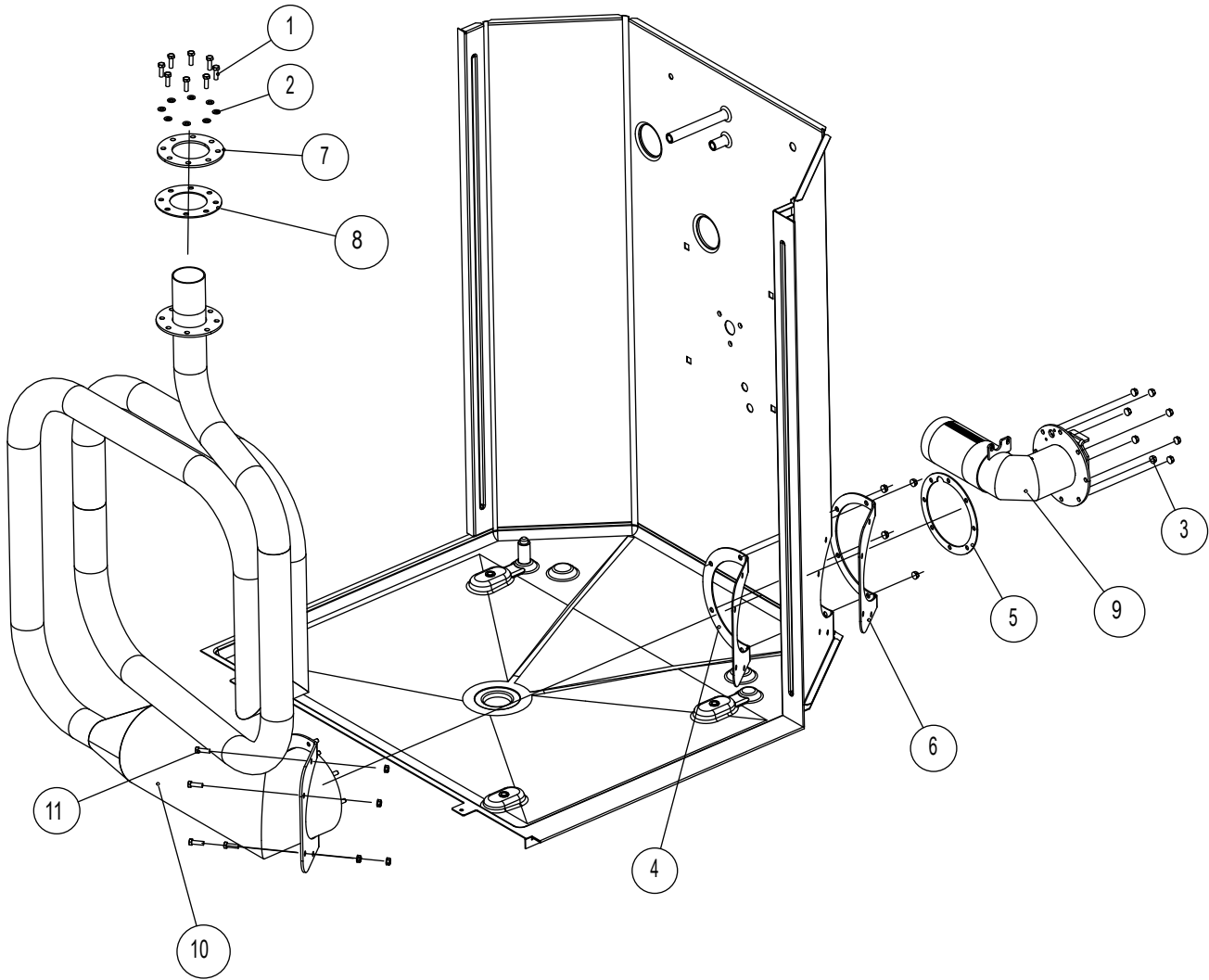
Ref. No.	Part No.	Description
1	61384	Stand 1/1-GN stacked ovens with castors
2	61385	Castor, adjustable w/brake
3	61386	Castor, adjustable without brake

STANDS FOR SINGLE OVENS



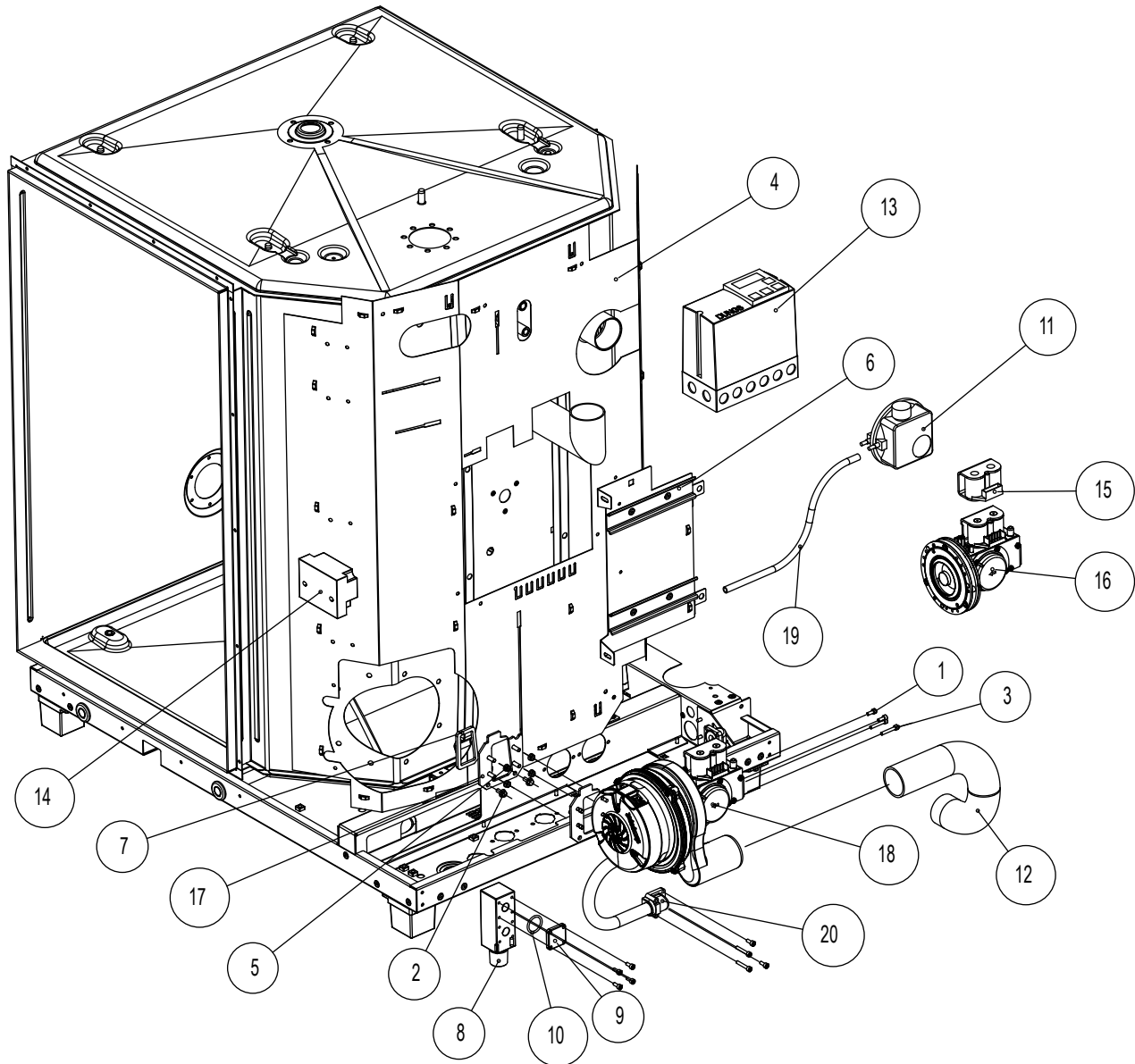
Ref. No.	Part No.	Description
1	61265	31.5" stand with legs and shelf for 61 ovens
1	61139	31.5" stand with legs and shelf for 62 ovens
1	61171	21.5" stand with legs and shelf for 101 ovens
1	61177	21.5" stand with legs and shelf for 102 ovens
2	61262	31.5" stand with casters and shelf for 61 ovens
2	61142	31.5" stand with casters and shelf for 62 ovens
2	61168	21.5" stand with casters and shelf for 101 ovens
2	61174	21.5" stand with casters and shelf for 102 ovens
3	61264	31.5" stand with legs and pan racks for 61 ovens
3	61140	31.5" stand with legs and pan racks for 62 ovens
3	61170	21.5" stand with legs and pan racks for 101 ovens
3	61176	21.5" stand with legs and pan racks for 102 ovens
4	61161	31.5" stand with casters and pan racks for 61 ovens
4	61143	31.5" stand with casters and pan racks for 62 ovens
4	61167	21.5" stand with casters and pan racks for 101 ovens
4	61173	21.5" stand with casters and pan racks for 102 ovens
5	61188	31.5" stand with seismic legs and pan racks for 61 ovens
5	61197	31.5" stand with seismic legs and pan racks for 62 ovens
5	61191	21.5" stand with seismic legs and pan racks for 101 ovens
5	61194	21.5" stand with seismic legs and pan racks for 102 ovens
	61189	31.5" stand with seismic legs and shelf for 61 ovens
	61198	31.5" stand with seismic legs and shelf for 62 ovens
	61192	31.5" stand with seismic legs and shelf for 101 ovens
	61195	31.5" stand with seismic legs and shelf for 102 ovens

GAS, HEATING COIL



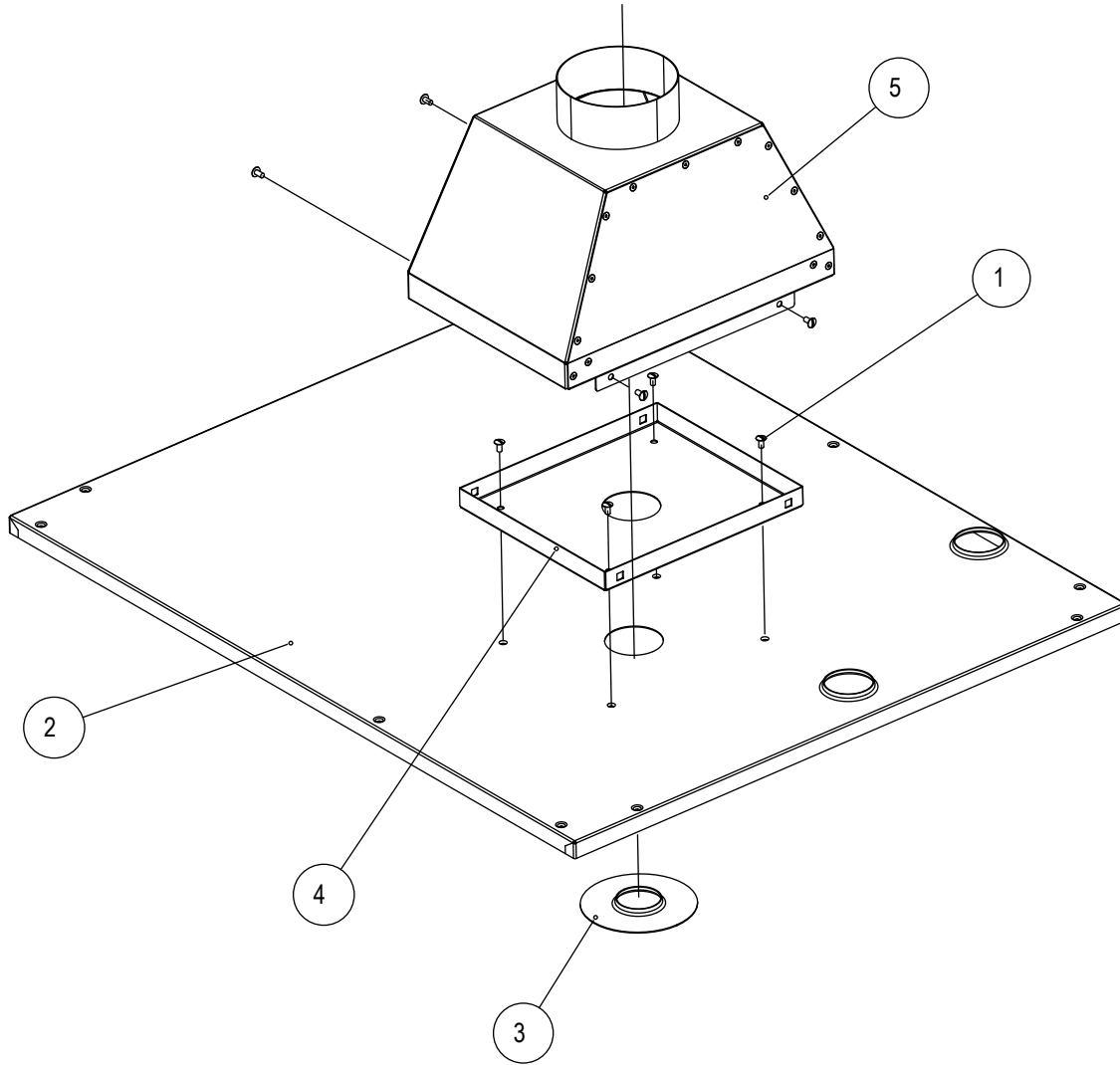
<u>Ref. No.</u>	<u>Part No.</u>	<u>Description</u>	<u>Ref. No.</u>	<u>Part No.</u>	<u>Description</u>
1	60066	Screw, set M5 x 12 A2	61083		Electrode, 21/24 kW
2	60084	Washer 5 mm A2	60629		Electrode, 9 kW
3	60563	Nut M5 A2 w/flange, serrated	61082		Electrode, 13kW (61)
4	61099	Gasket, inside 1.06	61083		Electrode, 21/24kW (101, 202, 102)
4	61098	Gasket, inside (62 only)	61858		62 Spark Electrode
5	60618	Gasket for pre-mix burner (all other models)	61856		Burner w/electrode & gasket, 62
6	60621	Retainer for burner	61680		Transformer, 208-240V/110V
7	60622	Retainer for oven chamber roof, Ø50			
8	60623	Gasket for oven chamber roof, Ø50			
9	60968	Pre-mix burner 13 kW			
9	60969	Pre-mix burner 21 kW, 101 & 102			
9	60970	Pre-mix burner 24 kW, 102 & 202			
9	61857	Pre-mix burner, 62			
10	61388	Heat exchanger 61			
10	60635	Heat exchanger 101			
10	61391	Heat exchanger 62			
10	61392	Heat exchanger 102			
10	61393	Heat exchanger 202, upper			
10	61394	Heat exchanger 202, bottom			
11	62350	Hex head screw, 5M x 20 A2			

GAS COMPONENTS, INSULATION



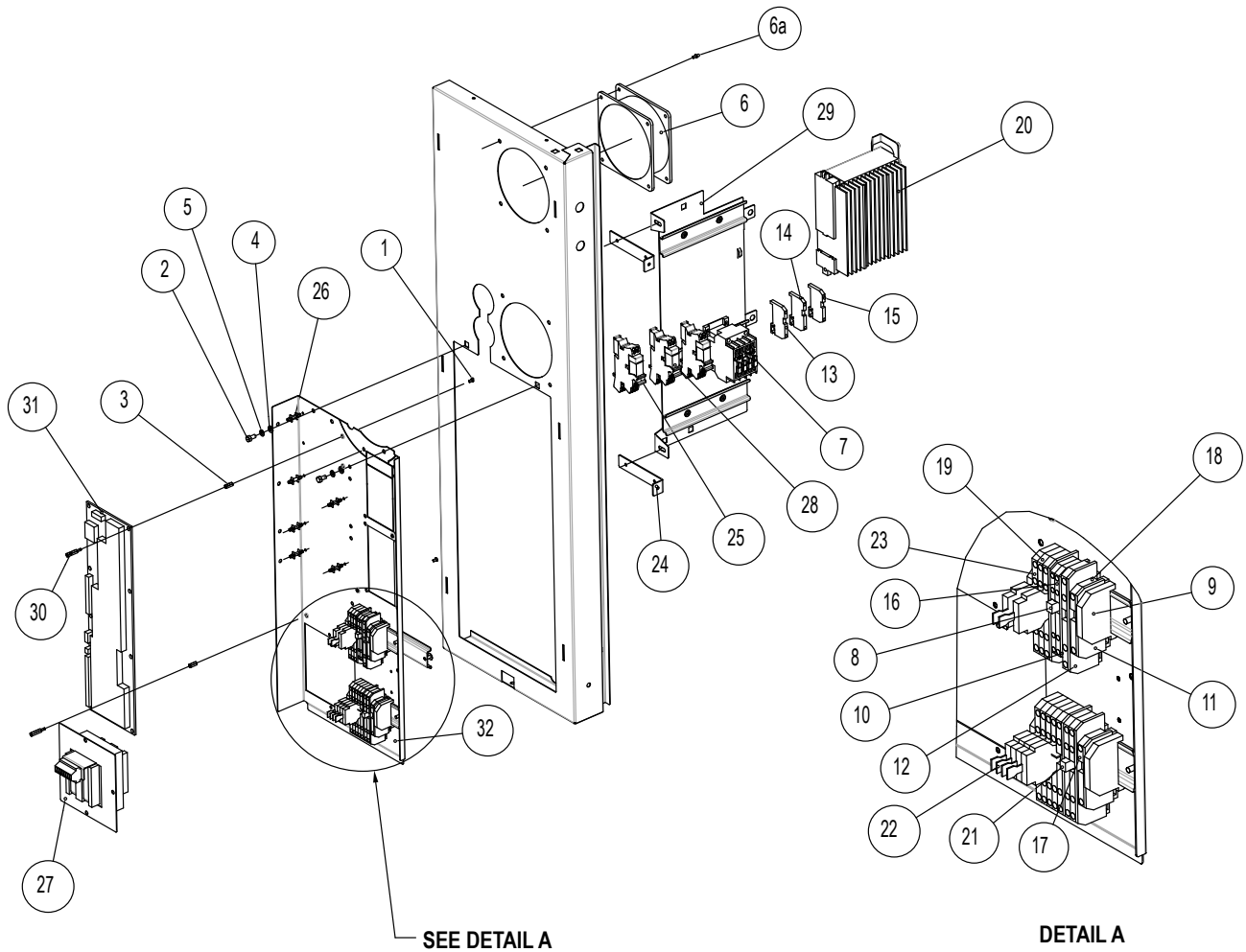
<u>Ref. No.</u>	<u>Part No.</u>	<u>Description</u>	<u>Ref. No.</u>	<u>Part No.</u>	<u>Description</u>
1	60064	Allen screw CH M4x10 A2	11	60631	Differential pressure sensitive switch, AA-C2-4-1
2	60066	Screw w/flange, serrated, M5 x 12 A2	12	61396	Ventilation hose Ø46/Ø40 500mm
3	60067	Allen Screw, CH M4 x 25 A2	12	61397	Ventilation hose Ø46/Ø40 1500mm
4	60371	Cover, insulation, 1.06/5 gas	13	60939	Burner control 115V
4	60369	Cover, insulation, 1.10/8 gas	14	61078	Ignition trafo 115V
4	61395	Cover, insulation, 2.06 gas	15	61080	Solenoid for gasbox 115V
4	60372	Cover, insulation, 2.20 gas	16	61398	Gas valve 115V
5	60563	Nut M5 A2 w/flange, serrated	17	60638	Adapter
6	60915	Bracket for DIN rail, gas,	18	61077	Gas-air control unit 13kW 115VAC (61 only)
7	60620	Gasket for gas-air control unit	18	60972	Gas-air control unit 21/24kW 115VAC (all except 61)
8	60624	Manifold, two connections, gas	19	60107	Hose plastic Ø6 / Ø9 mm
9	60625	Cover flange, gas, manifold	20	60642	Gas hose, ½" x 500
10	60626	O-ring, Ø21.89 x 2.62		61680	Transformer, Step Up, 115-230

VENILATION - GAS OVENS



Ref. No.	Part No.	Description
1	60044	Screw M5 x 10 A2
2	60399	Top panel 1/1 gas
2	60400	Top panel 2/1 gas
2	60401	Top panel 1/1 61 gas
2	60402	Top panel 202 gas
3	60627	Sleeve for vent tube, Ø44.5
4	60633	Bottom plate for ventilation
5	60640	Hot-air safety device, Ø125

ELECTRICAL COMPONENTS - GAS OVENS



Ref. No.	Part No.	Description
1	60032	Screw M3 x 6
2	60043	Screw, set M5 x 10
3	60071	Distance tube M3 x 12
4	60084	Washer 5mm
5	60085	Washer, spring 5mm
6	60124	Fan Ø120
6	60819	Fan Ø175
6a	61332	Screw Ø4.8x13 (Drilling)
7	60127	Contactor A16 24V 50/60Hz
8	60261	Jumper WAGO 280-402
9	60262	End stop, 6mm WAGO 249-116
10	60265	End plate for Terminal 2.5Q, 4-pole WAGO 280-314
11	60266	End plate for Terminal 4Q, 2-pole WAGO 281-328
12	60268	End plate for Terminal 4Q, 4-pole WAGO 281-334
13	60274	Terminal, 2.5Q, 2-pole, grey WAGO\ 280-901
14	60912	Terminal, 2.5Q, 2-pole, blue
15	60913	Terminal, 2.5Q, 2-pole, yellow/green
16	60276	Terminal, 2.5Q, 4-pole, blue WAGO 280-834

Ref. No.	Part No.	Description
17	60277	Terminal, 4Q, 2-pole, grey WAGO 281-901
18	60279	Terminal, 4Q, 2-pole, yellow/green WAGO 281-907
19	60281	Terminal, 4Q, 4-pole, grey WAGO 281-652
20	61225	Frequency changer 0,37kW, 115V
21	60313	Scarf joint 4Q 32A WAGO 281-402
22	60317	Fuse carrier WAGO 281-511
23	60320	Terminal, 4-conductor, for fuse carrie WAGO 281-656
24	60569	Retaining bracket for console
25	61399	2-pole wago relay 24VAC
26	60581	Retainer for circuit board, double nylon 11.1
27	62291	Transformer 200-230-240/2x24-12
28	61079	2-pole wago relay 115 VAC
29	60586	Console for DIN slide welded
30	60591	Staybolt brass M3x18 with threaded pin
31	62329	Computer I/O gas
32	60593	Console welded