



## **MINI COMBI OVENS REPLACEMENT PARTS LIST**

**EFFECTIVE NOVEMBER 9 2017**

Superseding All Previous Parts Lists.

The Company reserves the right to make substitution in the event that items specified are not available.

ERRORS: Descriptive and/or typographic errors are subject to correction.

---

**BLODGETT OVEN COMPANY**

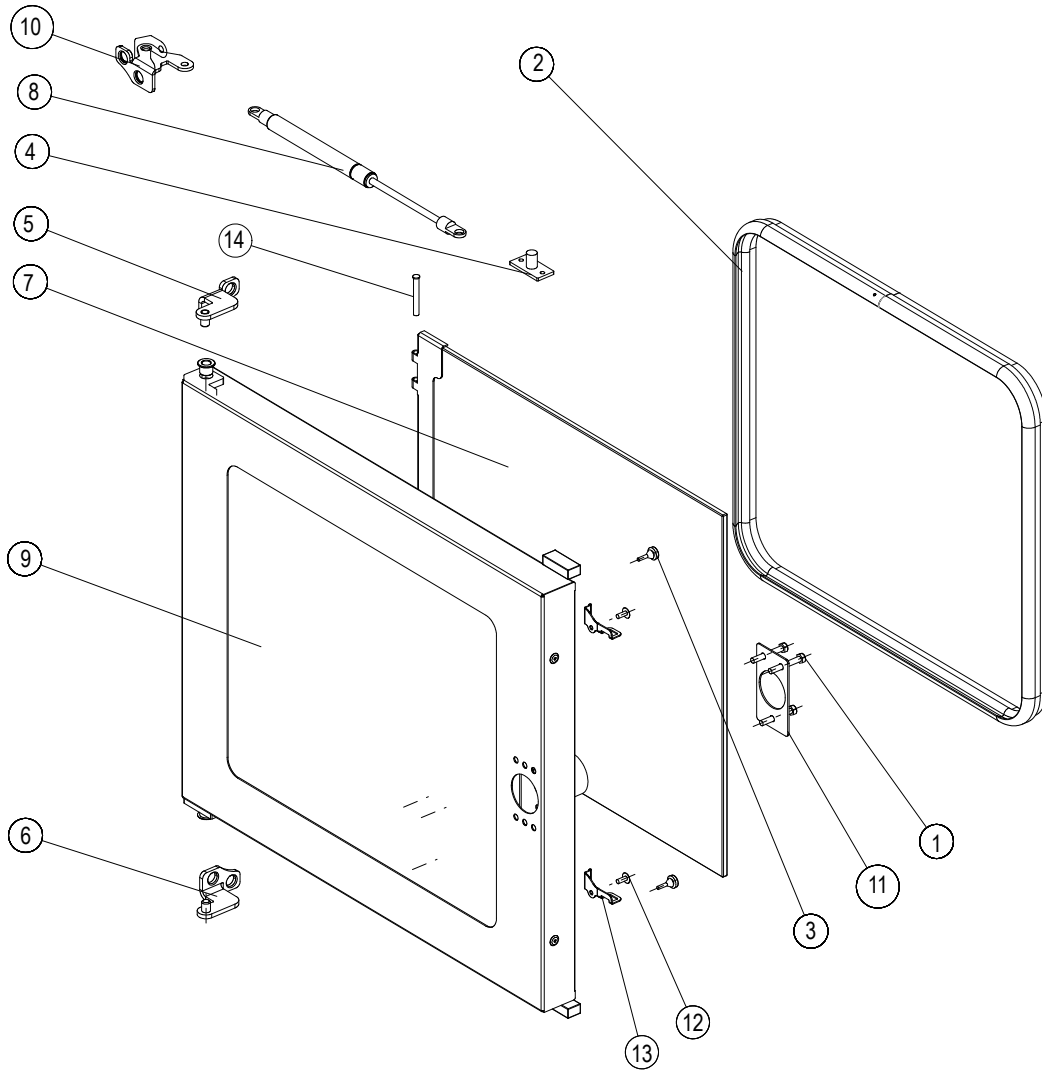
44 Lakeside Avenue, Burlington, Vermont 05401 USA Telephone: (802) 658-6600 Fax: (802) 860-3732  
[www.blodgett.com](http://www.blodgett.com)

*P/N 61508 Rev T*

# TABLE OF CONTENTS

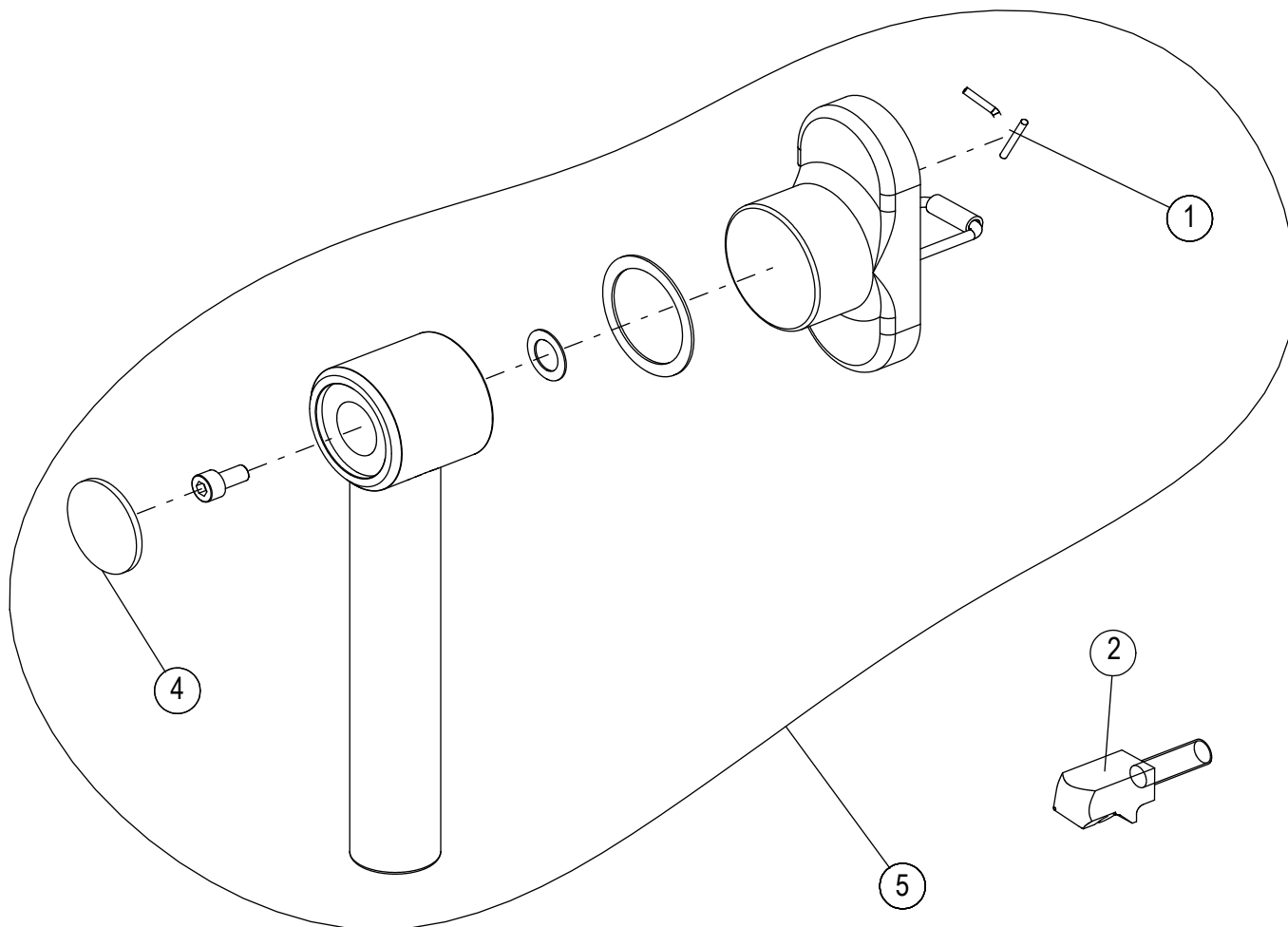
OVEN DOOR .....	3
DOOR HANDLE .....	4
OVEN CAVITY .....	5
MAIN FAN MOTOR/HEATING ELEMENTS .....	6
DAMPER.....	7
OVEN LIGHT .....	8
TOP COVER.....	9
BLCM CONTROL PANEL .....	10
BLCP CONTROL PANEL .....	11
BLCT CONTROL PANEL WITH SIDE ACCESS .....	12
BLCT CONTROL PANEL WITHOUT SIDE ACCESS.....	14
BLCT CONTROL PANEL FOR WENDY'S .....	15
ELECTRICAL COMPONENTS (LEFT) .....	16
ELECTRICAL COMPONENTS (RIGHT).....	17
DRAIN .....	18
CLEANING SYSTEM .....	19
EXTRACTION HOOD .....	21
AIR INTAKE FILTER.....	22

# OVEN DOOR



Ref. No.	Part No.	Description	Ref. No.	Part No.	Description
1	61932	Screw Set M5 x 35 A2	9	61778	Oven Door CSII 2/3 & 6 pan
2	60959	Door gasket 2/3 & 6 pan	9	62391	Oven Door CSII 10 pan
	62479	Door Gasket - Wendy's	10	61555	Hinge marine top left CSI
2	60960	Door gasket 10 pan	10	61556	Hinge marine top right CSI
3	61561	Rubber stopper interior glass Ø12mm	10	62520	Hinge marine top left CSII
4	61558	Gas spring holder	10	62521	Hinge marine top right CSII
5	61125	Hinge upper left CSI (lower right)	11	62250	Reinforcement to handle CSII
5	61770	Hinge upper left CSII (lower right)	12	62441	Pin for interior glass CS
6	61126	Hinge lower left CSI (upper right)	13	62393	Interior glass holder
6	61771	Hinge lower left CSII (upper right)	14	62392	Pop rivet Ø4x10
7	61559	Interior glass 2/3 & 6 pan		61553	Cap, door handle
7	61560	Interior glass 10 pan		61925	Door handle kit w/cap
8	61557	Gas spring 50n		62247	Hinge, upper left
9	61540	Oven Door CSI 2/3 & 6 pan		62248	Hinge, lower left
9	61343	Oven Door CSI 10 pan		62249	Interior glass 23 & 6

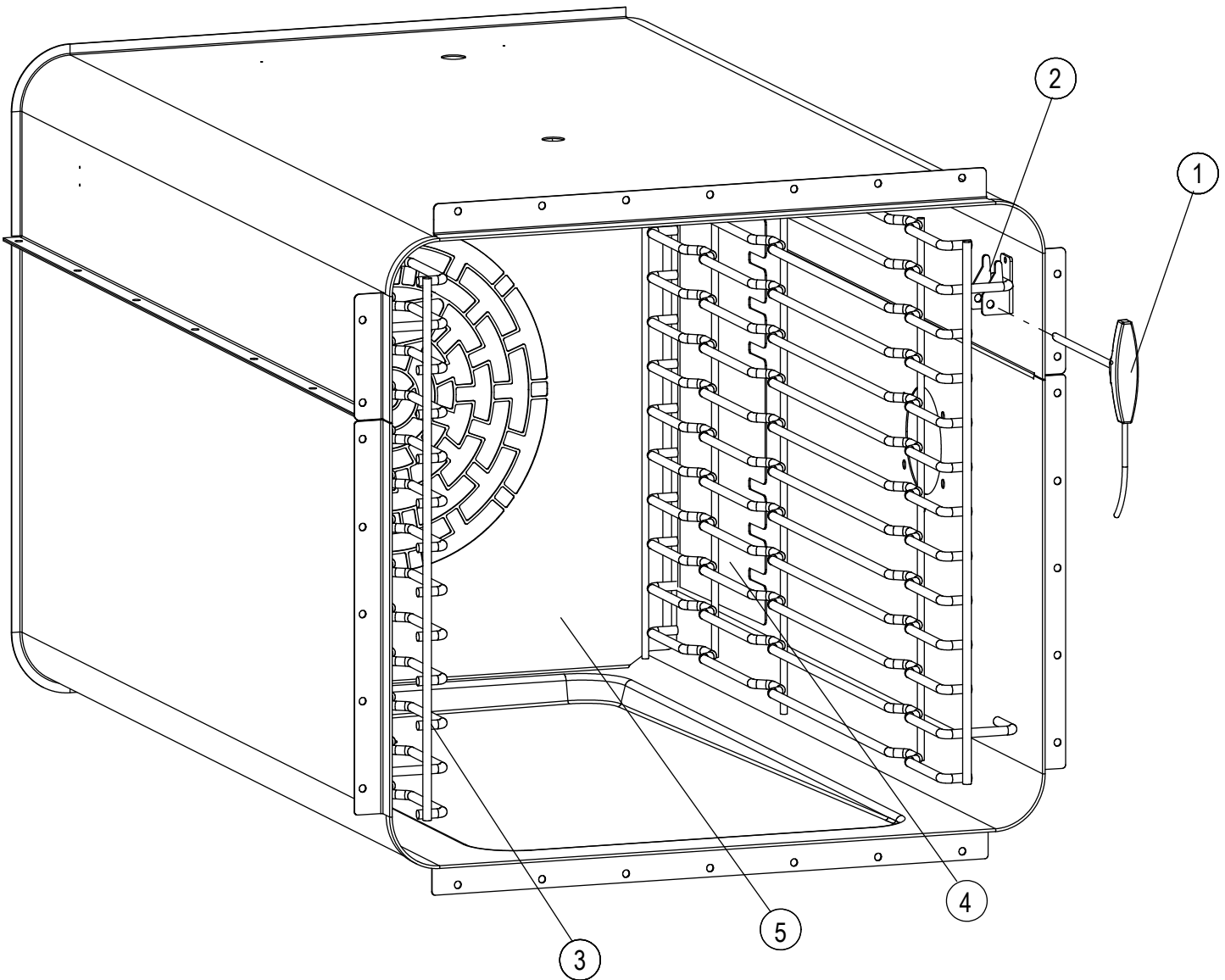
# DOOR HANDLE



Ref. No.	Part No.	Description
1	61939	Return spring for handle.
2	60958	Catch, 2-steps
4	61553	Cap, Door handle
5	61925	Handle cpl., kit
	60113	Hose, nipple elbow, Ø 10 x 1/4"
	61562	Hose, elbow, Ø 10 x 1/4"

Ref. No.	Part No.	Description
	61563	T-piece 1/4"
	60111	T-piece, Ø 6mm
	60112	Quick action coupling Ø 6 x 1/8"
	61285	Hose, nipple elbow, Ø 10 x 1/18"
	61564	Suspension bracket w/nozzle

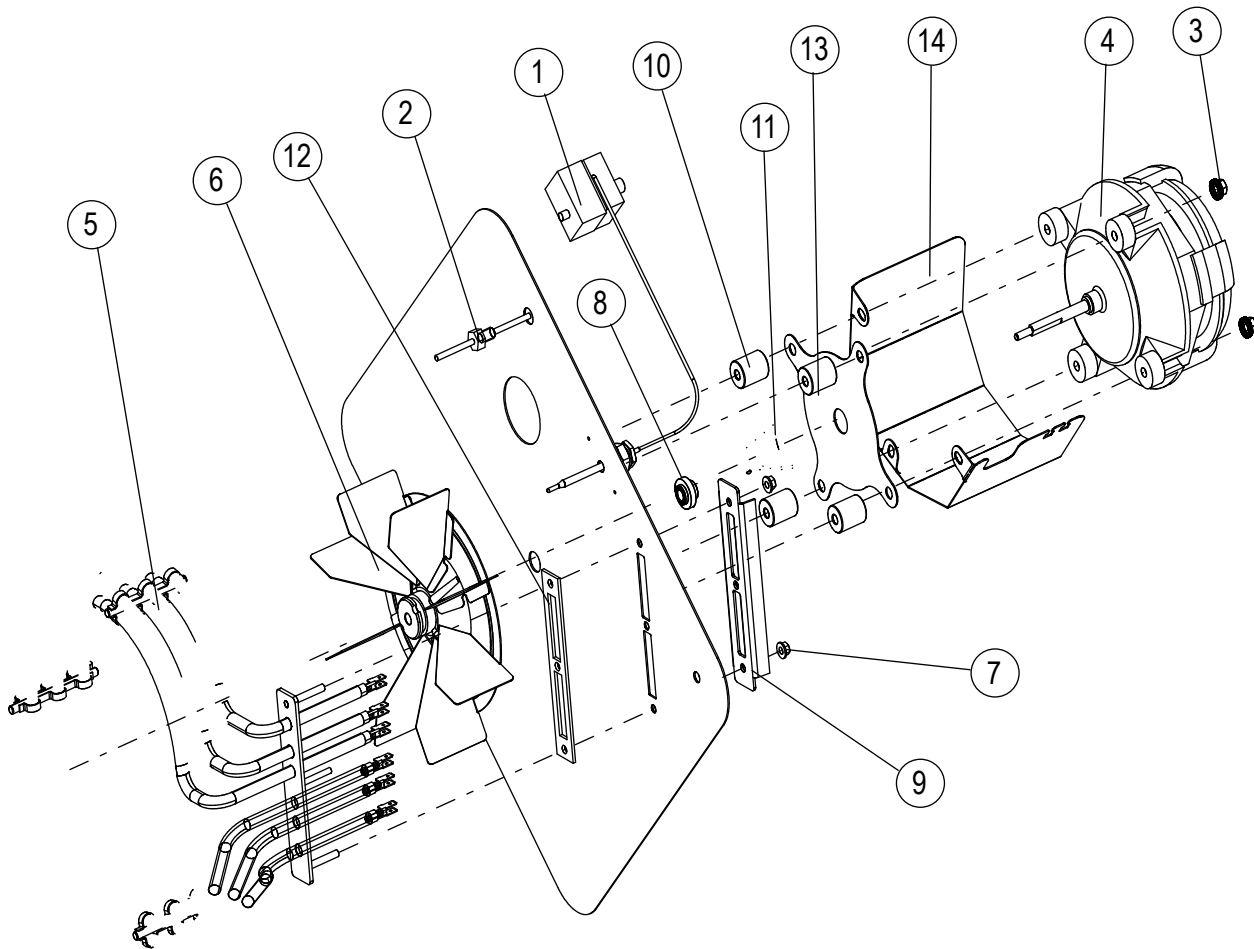
# OVEN CAVITY



Ref. No.	Part No.	Description
1	61582	Core probe L=2000 mm CS
2	62281	Bracket for rack CS
3	61588	Rack kit CS 2/3 pan
3	61410	Rack kit CS 6 pan
3	61589	Rack kit CS 10 pan
4	61585	Air guide plate CS 6 pan
4	61586	Air guide plate CS 10 pan right

Ref. No.	Part No.	Description
4	61587	Air guide plate CS 10 pan left
5	61583	Interior baffle 2/3 & 6 pan
5	61584	Interior baffle 10 pan
6	61232	Side Rack LHG (BK,McD,Wen)
7	61233	Side Rack RHG (BK,McD,Wen)
	61926	Fan motor kit, w/seal

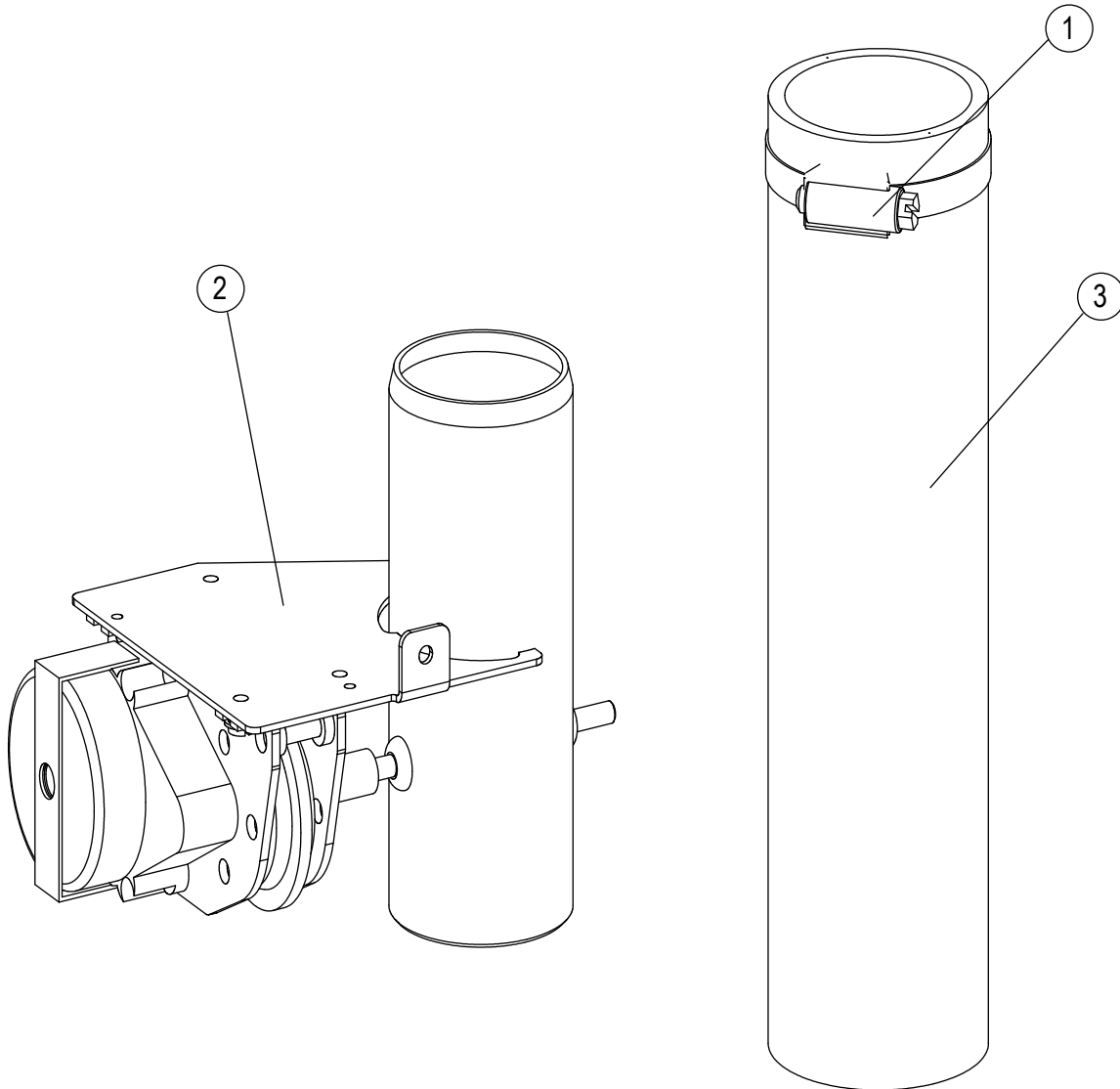
# MAIN FAN MOTOR/HEATING ELEMENTS



Ref. No.	Part No.	Description
1	61295	Thermoswitch 350°C
2	60323	Temperature sensor air 350°C
3	61323	Nut M6 w/flange, serrated
4	62269	Fan Motor CS II 3X230V
5	61577	Heating element w/gasket 5400-7200W 208/230/240V cpl., CS1, 2/3
5	61578	Heating element w/gasket 5400-5800W 400/415V cpl., CS1, 2/3
5	61579	Heating element w/gasket 5400-6500W 440/480V cpl., CS1, 2/3
5	61580	Heating element w/gasket 6900-9200W 208/230/240V cpl., CS1, 6 pan
5	62396	Heating element CSII w/gasket 6900-9200 W 208/230/240V, CS2, 6 pan
5	61499	Heating element w/gasket 10400-13850W 208/230/240V cpl., CS1 & CSII, 10 pan

Ref. No.	Part No.	Description
5	61581	Heating element w/gasket 10400-12400W 256/277V cpl, CS1 & CSII, 10 pan
6	61824	Fan wheel CS V3
7	60563	Nut M5 A2 w/flange, serrated
8	61573	Gasket kit for Motor
9	62271	Bracket for Heater CSII.1
10	62270	Spacer for Motor bracket CSII.1
11	61573	Gasket kit for Motor
12	61576	Gasket for heating element, CS1, 23 & 6
12	61575	Gasket for heating element, CS2, 23, 6 & 10
13	61754	Plate for motor CS
14	62275	Motor Cover CS
	61972	Kit, shaft seal & spring CS motor
	61746	Element, CSII BLC6E, 3 phase

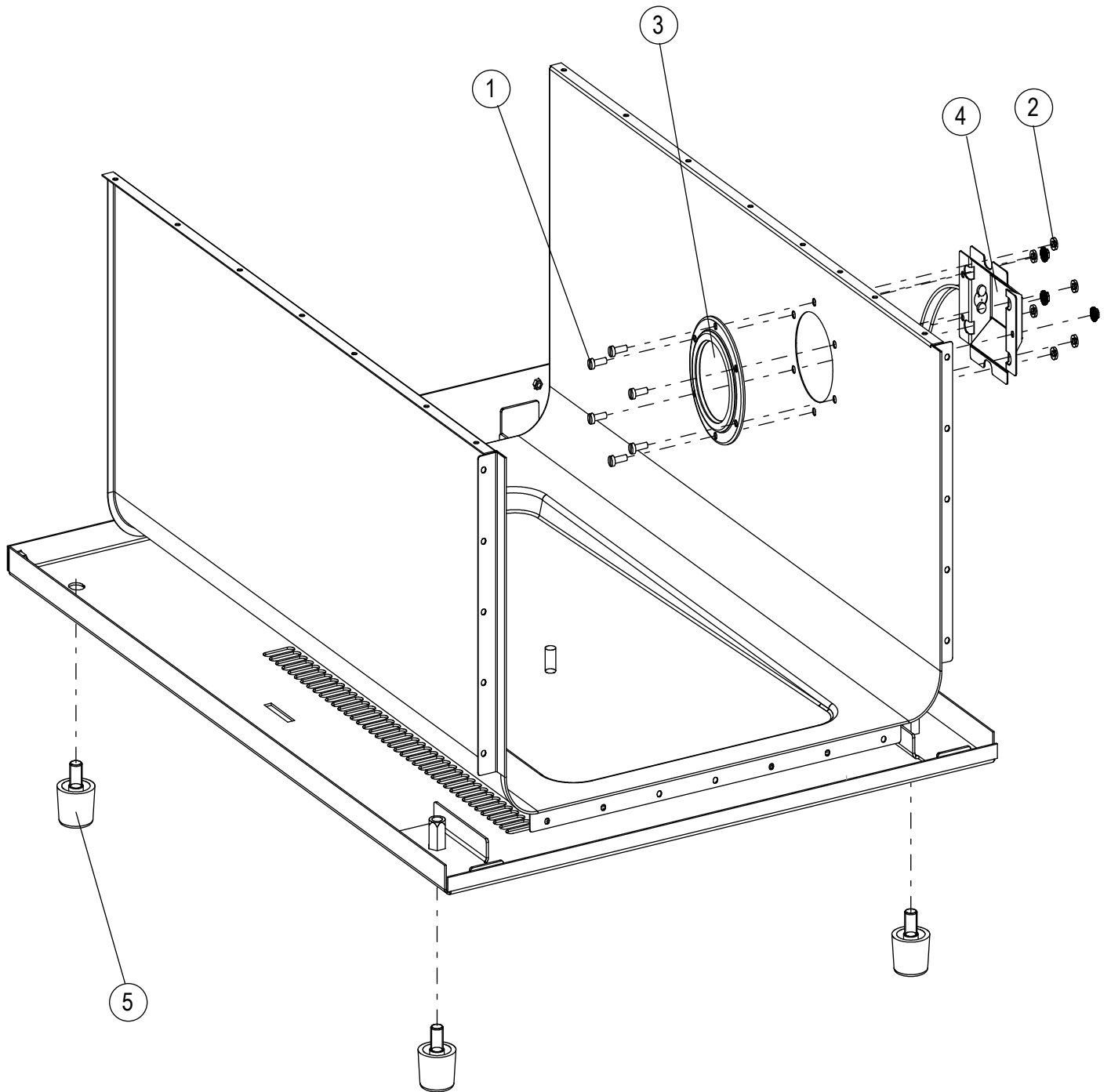
# DAMPER



<b>Ref. No.</b>	<b>Part No.</b>	<b>Description</b>
1	60910	Hose clamp Ø46-Ø64
2	61309	Exhaust w. damper motor
3	62487	Hose for damper valve (blue) 220MM / 9", 2/3 & 6
3	62278	Hose for damper valve (blue) 320MM / 13", 10
3	61565	Hose for damper valve (Blue hose sold by inch)

<b>Ref. No.</b>	<b>Part No.</b>	<b>Description</b>
61335		Nozzle, arm complete
61728		Pipe, water delivery 2/3 & 6
61729		Pipe, water delivery 10
61283		Bulb, halogen 12V 10W G4
61234		Interior baffle, 6
61232		Side rack, LH (Burger King, Wendys, MCD)

# OVEN LIGHT

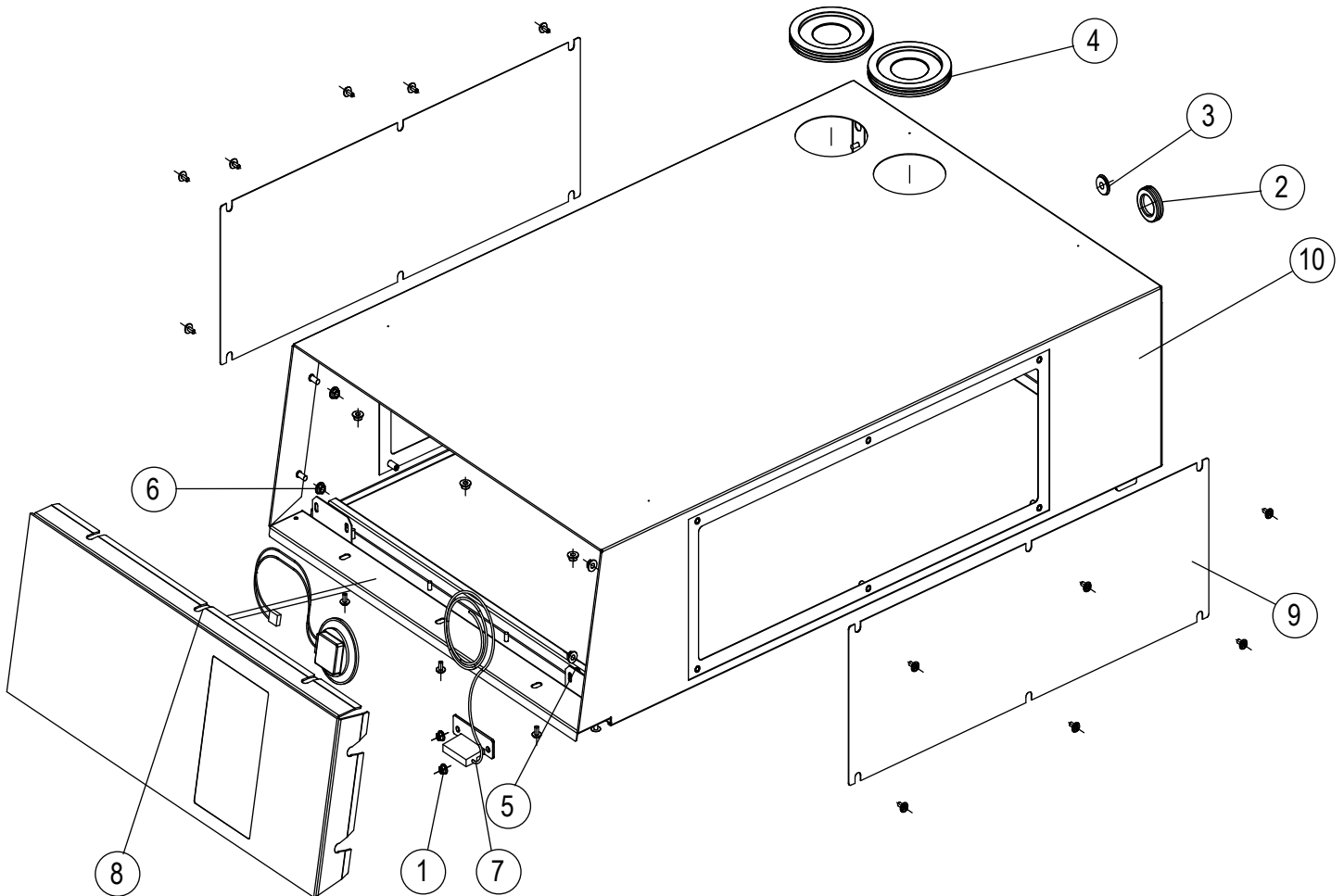


Ref. No.	Part No.	Description
1	60041	Screw M4 x 12
2	62288	Nut, Hex Flange, M4 A2
3	60164	Lamp Glass, Halogen, with gasket
4	62397	Lamp housing
5	61452	Rubber feet CS
	61874	Leg set, 4" adjustable (not shown)
	60332	Terminal 1/5Q 2 pole grey

Ref. No.	Part No.	Description
	60331	Terminal 1/5Q 4 pole grey
	60128	Contactora, A26-40-00, 24V 50/60
	60819	Cooling fan (round)
	60262	End stop, din
	60911	480V transformer
	61283	Bulb halogen 12V 10W G4



# TOP COVER

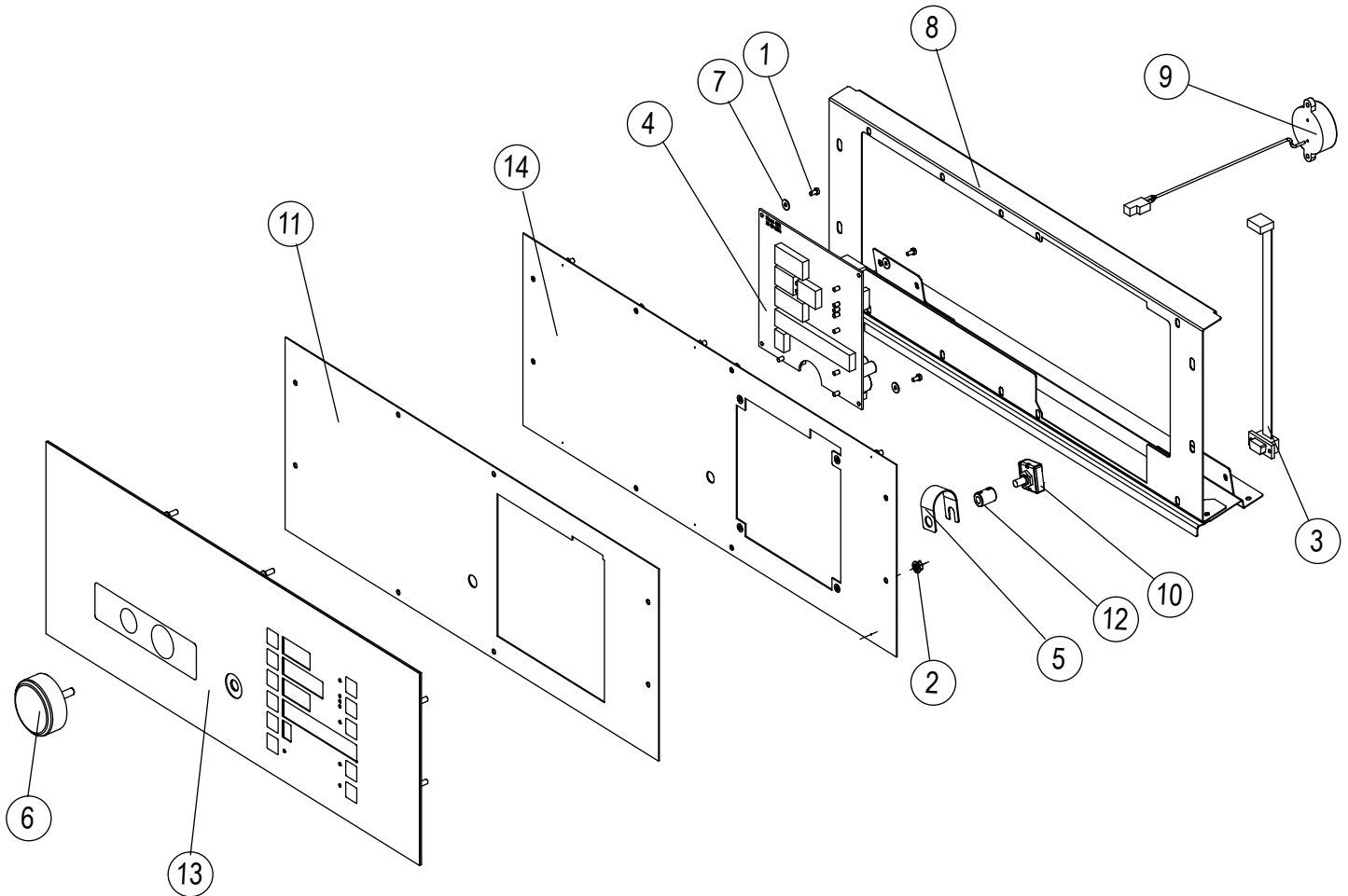


Ref. No.	Part No.	Description
1	62288	Nut flange w Toothing M4
2	62289	Membrane grommet Ø28
3	60896	Rubber plug, Ø20 x Ø14.9, black
4	61592	Gasket for exhaust CS
5	60040	Screw M4 x 8
6	60563	Nut M5 A2 w/flange, serrated
7	60575	Sensor for door
8		See following control panel pages
9	61967	Inspection panel CSII 6 & 10 pan
10	61594	Top Cover CSI 2/3 pan
10	61595	Top cover CSI 6 & 10 pan
10	62398	Top Cover CSII 2/3 pan

Ref. No.	Part No.	Description
10	62399	Top Cover CSII 6 & 10 pan
10	61966	Top Cover w inspection CSII 6 & 10 pan
	61612	Fuses, F1/F3/F7 3.15A (2)
	61614	Fuses, F4 5A (2)
	61615	Fuses, F5/F6 8A (2)
	60317	Fuse carrier
	60320	Terminal block for conductor (fused)
	62329	Board I/O
	62329	Board I/O (short)
	60279	Ground terminal block
	60278	Neutral terminal block

# BLCM CONTROL PANEL

## “MANUAL CONTROL OPTION”

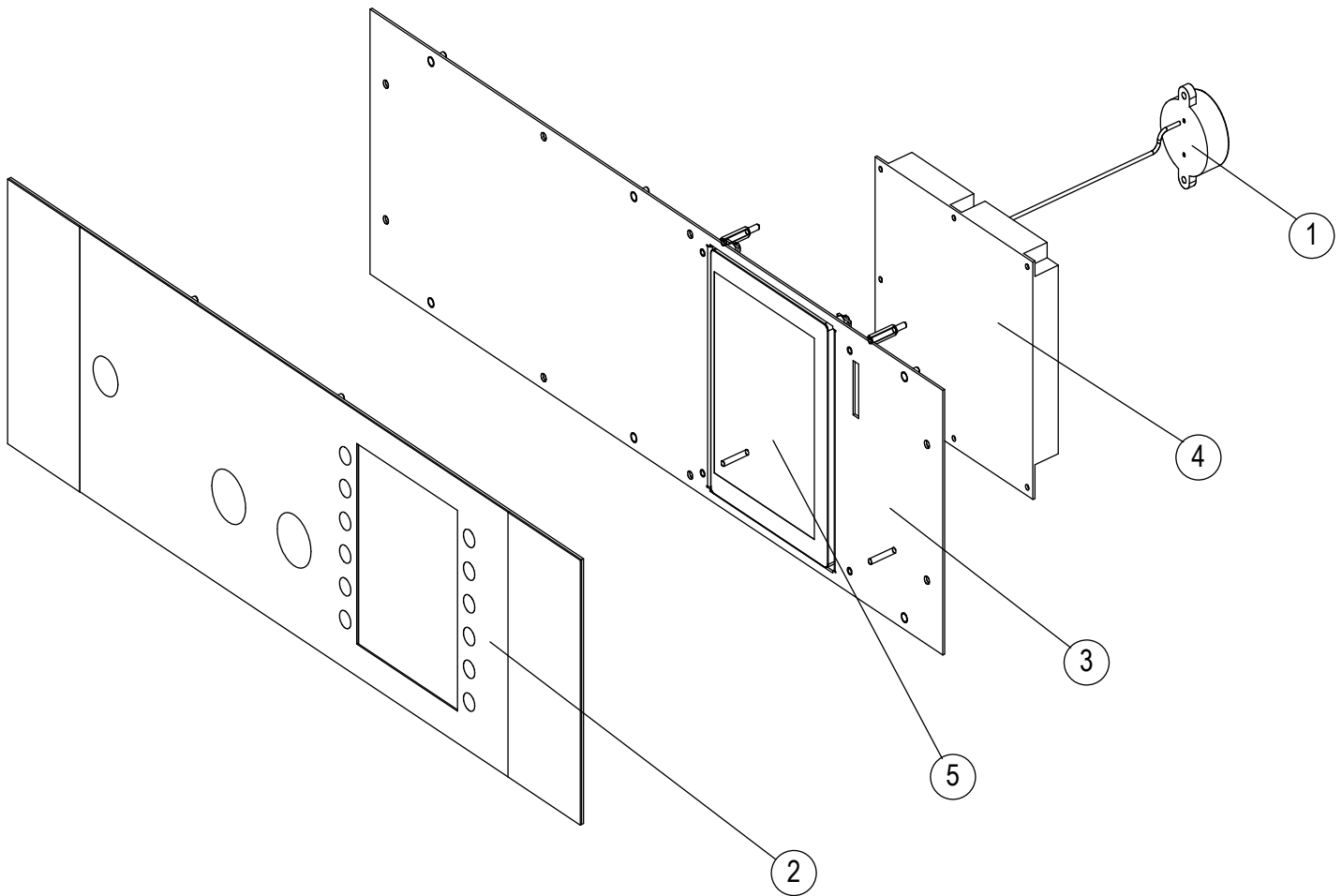


Ref. No.	Part No.	Description
1	60037	Screw CH M3 x 6
2	62288	Nut flange w Tothing M4
3	61725	Ribbon cable DB9 plug BCK controller
4	61029	Computer BCM CombiSlim
5	60342	Plastic brace for turn button
6	60344	Turn button
7	60086	Washer 3mm
8	62448	Abutment plate frame CS II
9	60582	Buzzer
10	60341	Encoder

Ref. No.	Part No.	Description
11	61727	Seal for Control Panel CS B/C/K
12	60338	Shaft, coupling Ø6/Ø6
13	62443	Abutment plate panel C model
13	60956	Abutment plate panel CSII C model
14	62444	Rear plate f keypad CSII BCK
	60956	Plate abutment BCM (red)
	61954	Plate abutment BCM CSII (black)
	61593	CS control gasket
	60341	Encoder

# BLCP CONTROL PANEL

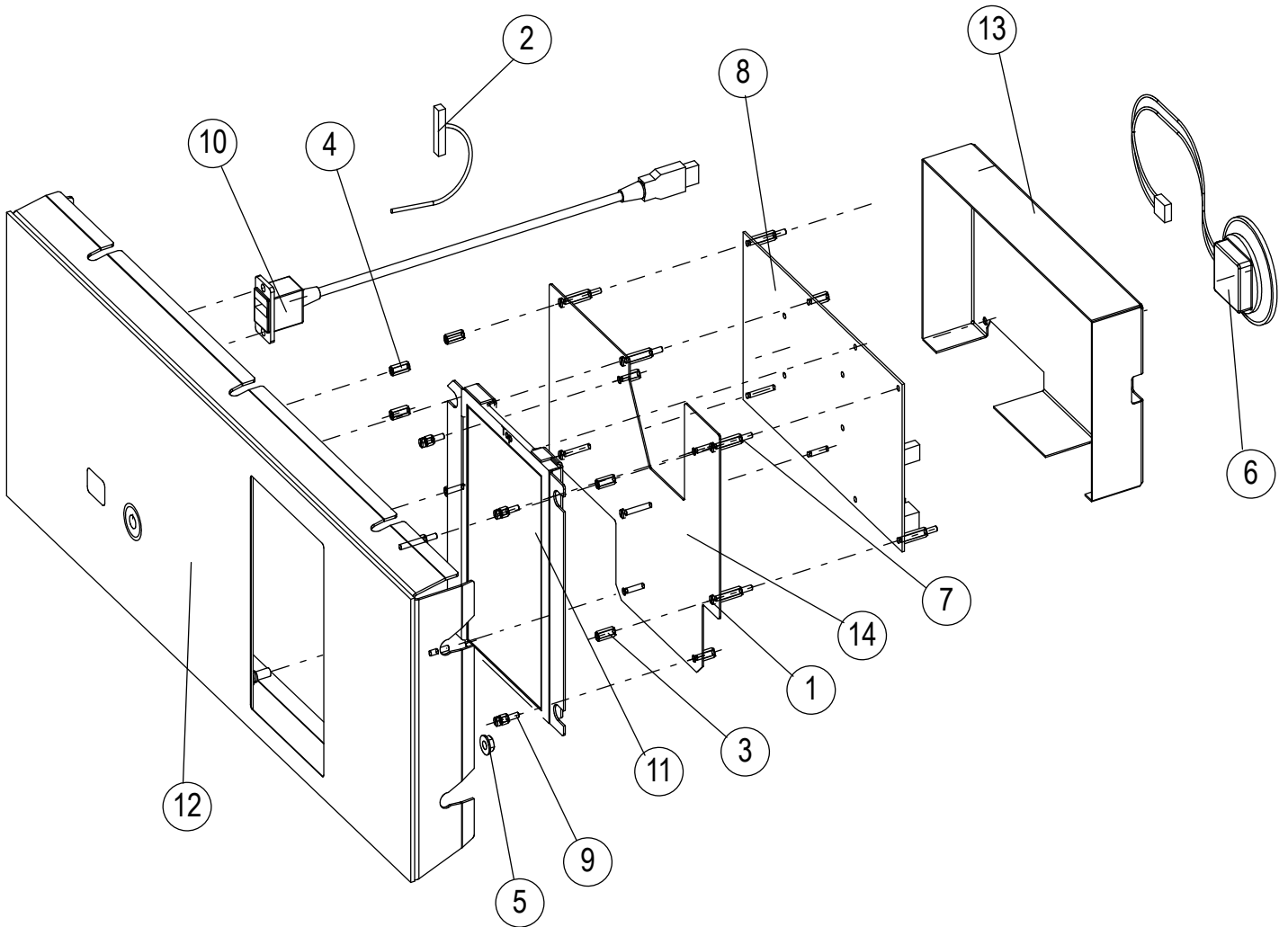
## “PROGRAMMABLE CONTROL OPTION”



<b>Ref. No.</b>	<b>Part No.</b>	<b>Description</b>
1	60582	Buzzer
2	60955	Abutment plate w/operation panel Blodgett, BCP
3	62446	Display. back plate, CSI CPE
4	61028	CPU, BCP
5	61464	Display, 5.7" TFT

# BLCT CONTROL PANEL WITH SIDE ACCESS

“TOUCHSCREEN CONTROL OPTION”



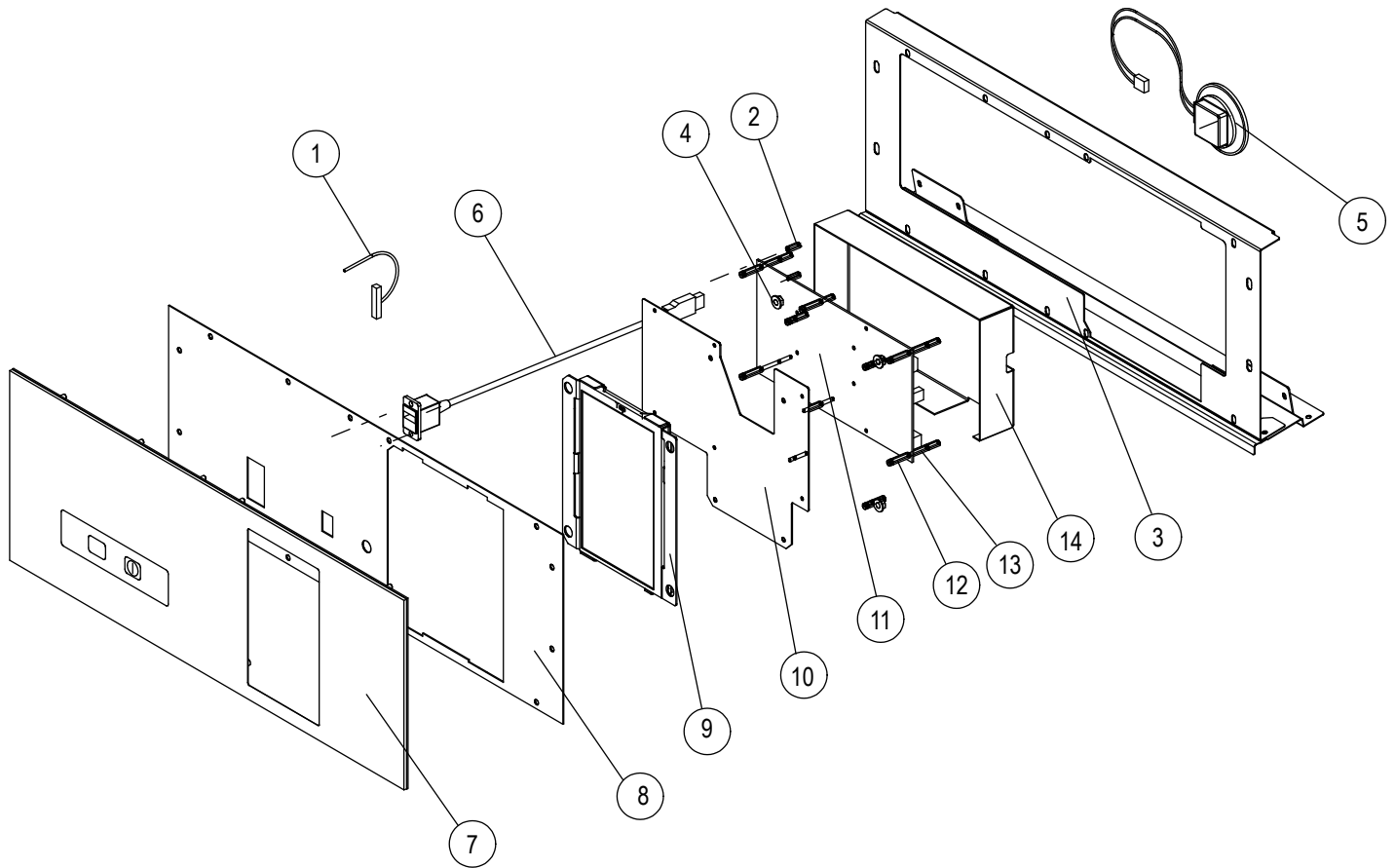
# BLCT CONTROL PANEL WITH SIDE ACCESS

## “TOUCHSCREEN CONTROL OPTION”

<b>Ref. No.</b>	<b>Part No.</b>	<b>Description</b>	<b>Ref. No.</b>	<b>Part No.</b>	<b>Description</b>
1	60037	Screw CH M3 x 6		61591	Communication cable
2	61827	Cable for 7" TFT touch display		61861	BCT CSII Complete Control Top
3	60071	Distance tube M3 x 12		61862	BCT CSII Complete Control Top (Wendy's US)
4	62251	Distance tube M2.5 x 12		61863	BCT CSII Complete Control Top (BK)
5	60563	Nut M5 A2 w/flange, serrated		61865	BCT CSII Complete Control Top (Wendy's CA)
6	61804	Loud Speakers - 4 ohm		61887	BCT CSII Complete Control Top (Wendy's US) chicken (no side access)
7	60591	Staybolt brass M3x18 with threaded pin		61776	Front panel & overlay BLCT CSII (pre side access)
8	61838	CPU – Touchscreen Control (General Market)		61724	Gasket, operational panel
8	61449	CPU – Touchscreen Control (Burger King)		61911	Display 6.5 w/bracket
8	62237	CPU – Touchscreen Control (Burger King w/ Hoodini)			
8	61533	CPU – Touchscreen Control (Wendy's)			
8	61859	CPU – Touchscreen Control (Wendy's CA)			
8	61820	CPU - Touchscreen Control (Smithfield)			
8	61886	CPU – Touchscreen Control (Wendy's CHKN US)			
8	61927	CPU – Touchscreen Control (McDonald's 6)			
8	61928	CPU – Touchscreen Control (McDonald's 6 w/ Hoodini)			
8	62501	CPU - Touchscreen Control (Wendy's REOL after 08/10/17)			
8	62502	CPU – Touchscreen Control (Wendy's CHKN US REOL after 08/10/17)			
8	62503	CPU - Touchscreen Control (Wendy's CA REOL after 08/10/17)			
9	62253	Staybolt brass M3x5 m threaded pin			
10	61723	USB connector chassis mounted			
11	61911	Kit Touch display/ bracket Blodgett			
12	61965	Keypad frame CPL. CSII Blodgett BCT.			
13	62255	TS control cover			
14	62491	Bracket for computer CS II Touch			
15	62492	Keypad frame Touch + Display CSII Blodgett BCT			
	61593	Gasket, front panel (BCP)			
	60343	USB cable assembly			
	61590	Ribbon cable for display			

# BLCT CONTROL PANEL WITHOUT SIDE ACCESS

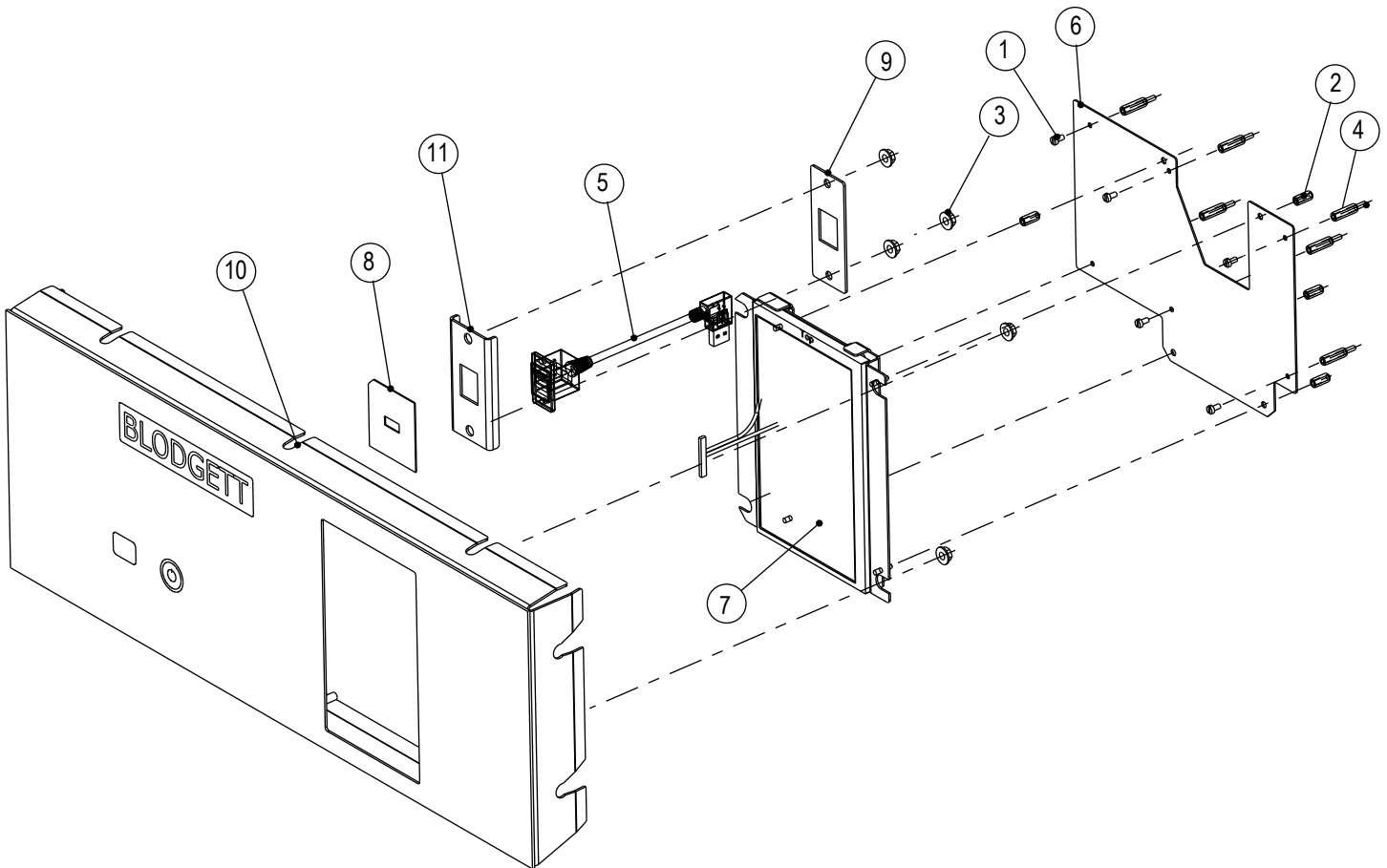
## “TOUCHSCREEN CONTROL OPTION”



<b>Ref. No.</b>	<b>Part No.</b>	<b>Description</b>
1	61827	Cable for 7" TFT touch display EDT Model 1
2	62251	Distance tube M2.5 x 12
3	62450	Abutment plate frame CS II
4	60563	Nut M5 A2 w/flange, serrated
5	61804	Loud Speakers - 4 ohm
6	61723	USB connector chassis mounted
7	61776	Touch panel CSII B-C-K cpl
8	61724	Gasket for touch cotrol CSII

<b>Ref. No.</b>	<b>Part No.</b>	<b>Description</b>
9	61911	Display touch with cable and bracket CSII
10	62257	Bracket f. computer CSII Touch
11	61838	Computer SE touch
12	60071	Distance tube M3 x 12
13	60551	Staybolt brass M3x18 with threaded pin
14	62255	CPU CSII cover plate

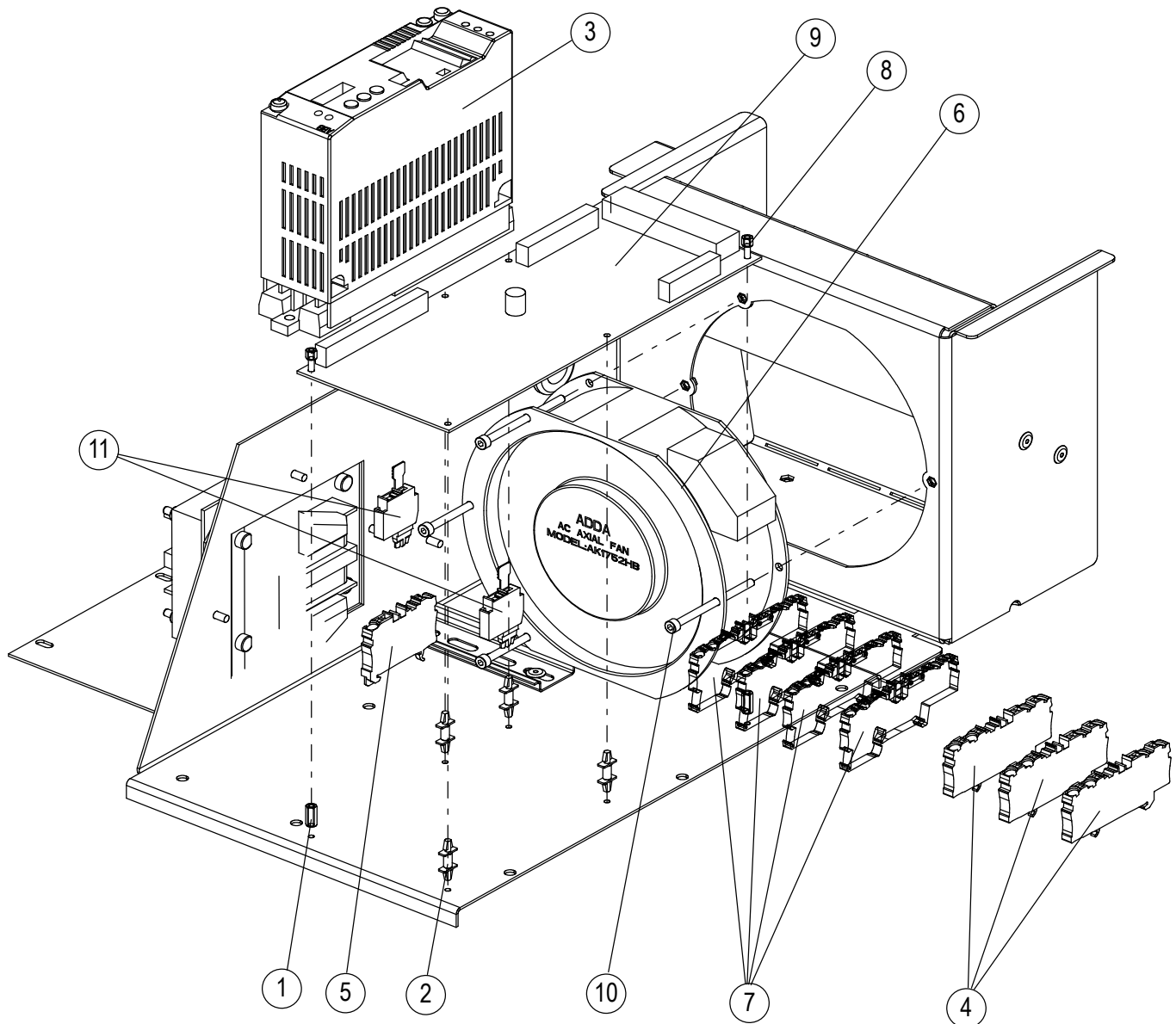
# BLCT CONTROL PANEL FOR WENDY'S



Ref. No.	Part No.	Description
1	60037	Machine Screw 84 M3 x 6 A2
2	60071	Stag- messing M3x12
3	60563	Flange Nut With Serrate 6923 M5 A2
4	60564	Shaft M3x18 with thread
5	62330	USB connector chassis 0.35M incl. dust cover
6	62491	Bracket f. computer CS Touch
7	62668	CSII Touch display assembly, reinforced OL (Wendy's after 08/10/17)
8	62664	Plate f. magnet

Ref. No.	Part No.	Description
9	62665	Support bracket f. USB
10	62490	Keypad frame Cpl. f. CSII Blodgett BCT (Wendy's after 08/10/17)
11	62666	Profil f. USB- connector
	62669	CSII Control panel, w/display and reinforced OL (for side access controls)
	62673	CSII Control panel, w/display and reinforced OL (for side access controls) and software update

# ELECTRICAL COMPONENTS (LEFT)

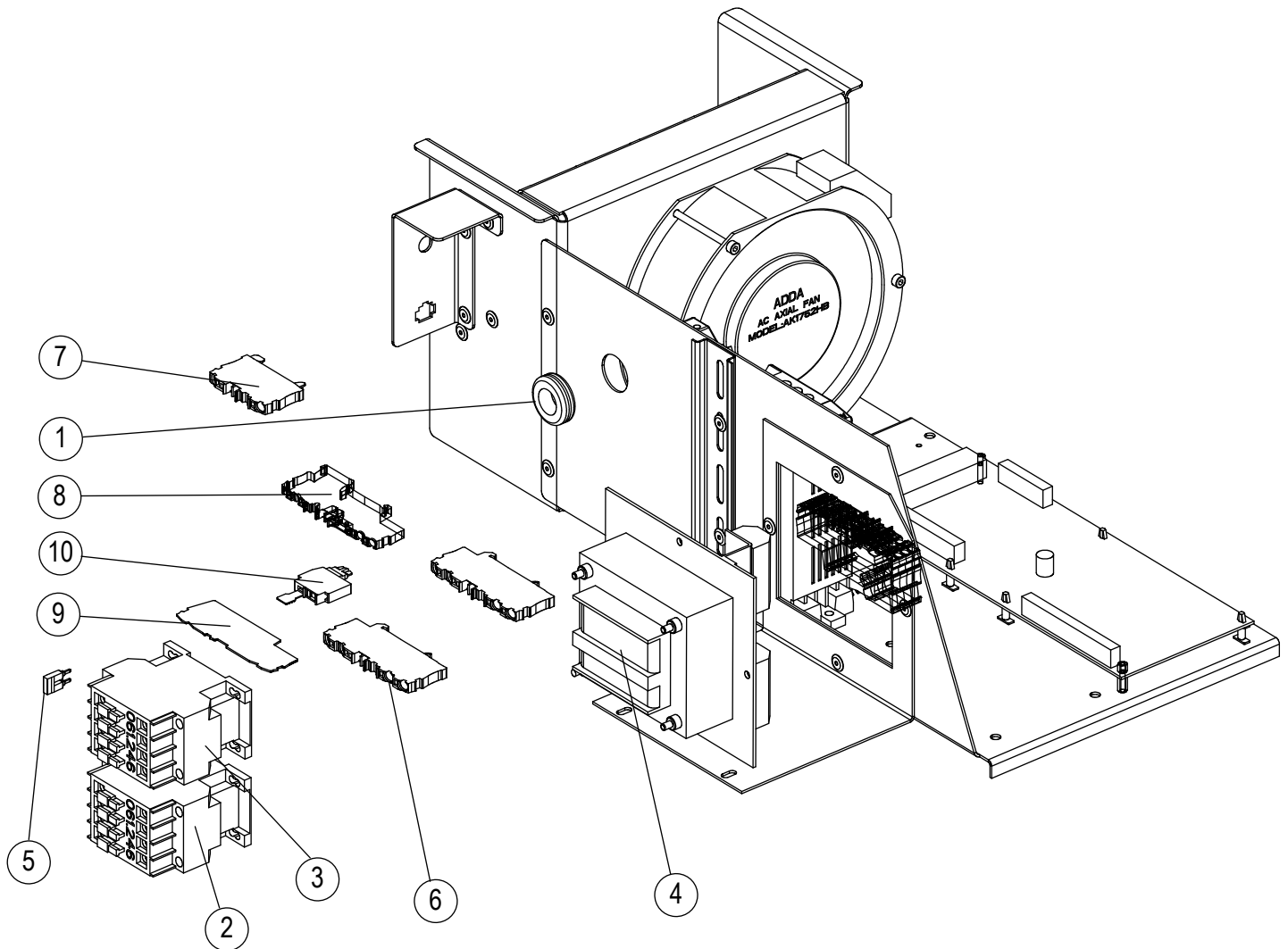


Ref. No.	Part No.	Description
1	60071	Distance tube, M3 x 12
2	60581	Retainer for circuit board, double nylon 11.1
3	61616	Frequency inverter, 18 kW
4	62292	S Terminal 4 Q, 2 wires Blue
5	62299	S Fuse carrier
6	60124	Cooling fan Ø120
6	62296	Cooling Fan Ø140
7	62297	Terminal block, 4 pins for fuse carrier, grey
8	62253	Staybolt brass, M3x5 m threaded pin
9	62329	I/O-Board

Ref. No.	Part No.	Description
10	62328	Screw Allen, CH M4x60 A2
11	60925	Fuse 3,15A (F1,F3)
11	61613	Fuse 2A (F2)
	61597	Adapter 1/2" BSP 3/4" GHT
	61599	Reducing nipple 3/4" - 1/2"
	61336	Combi wash lines
	61898	Combi wash lines with labels (Wendy's)
	61614	Fuse, 5A 2 PCS
	61615	Fuse, 8A 2 PCS



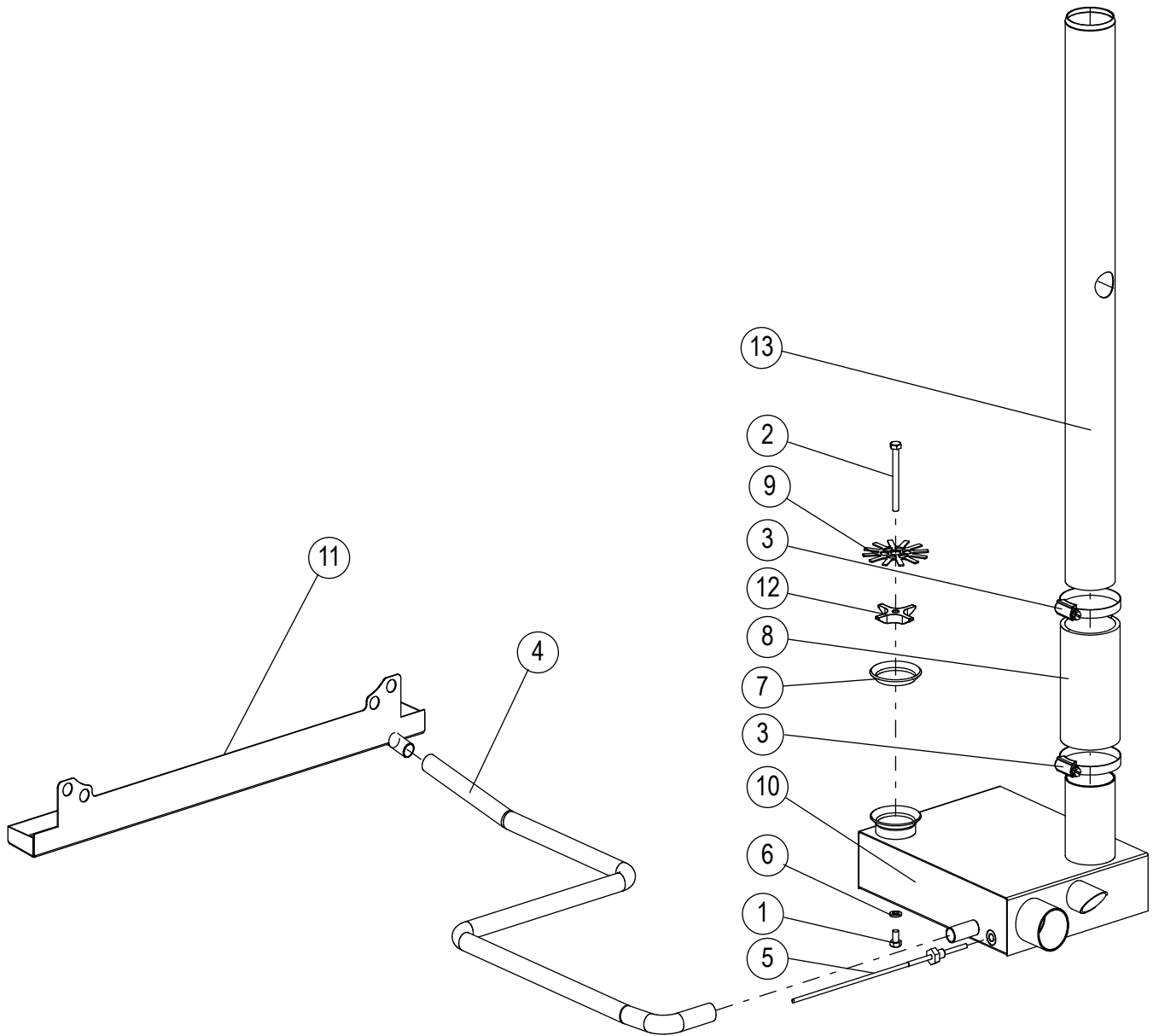
# ELECTRICAL COMPONENTS (RIGHT)



Ref. No.	Part No.	Description
1	60141	Lead-in Ø16/Ø22x1.5
2	60127	Contactora A16 24V 50/60Hz
3	60127	Contactora A16 24V 50/60Hz
4	62291	Transformer, 200-230-240/2x24-12
4	62400	Transformer, 400-415-440-480/2x24-12-230 /donga
5	62293	Jumper 2,5 Q

Ref. No.	Part No.	Description
6	62294	Terminal block 4 Q, 4 pins blue
7	62295	Terminal block 4 Q, 2 pins Yellow/green
8	62297	Terminal block 4 pins for fuse carrier, grey
9	62298	S Endcover 4-wires gray.
10	62299	S Fuse carrier
	60128	K2 Heat contactor A26

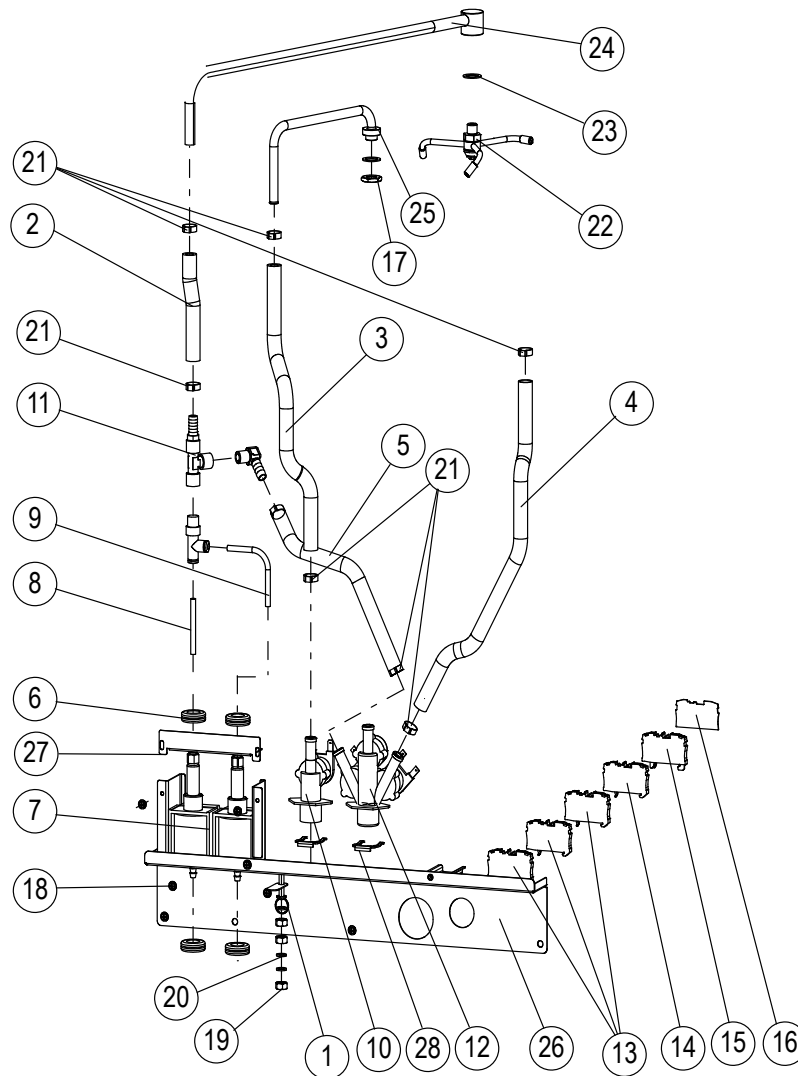
# DRAIN



Ref. No.	Part No.	Description
1	62276	Screw, set M6 x 10
2	62277	Screw, M6 x 60 A2
3	60910	Hose clamp, Ø46-Ø64
4	60187	Hose for drain Drip tray
5	60334	Condensing Sensor
6	60088	Washer, 6mm
7	61732	Gasket for drainbox CS

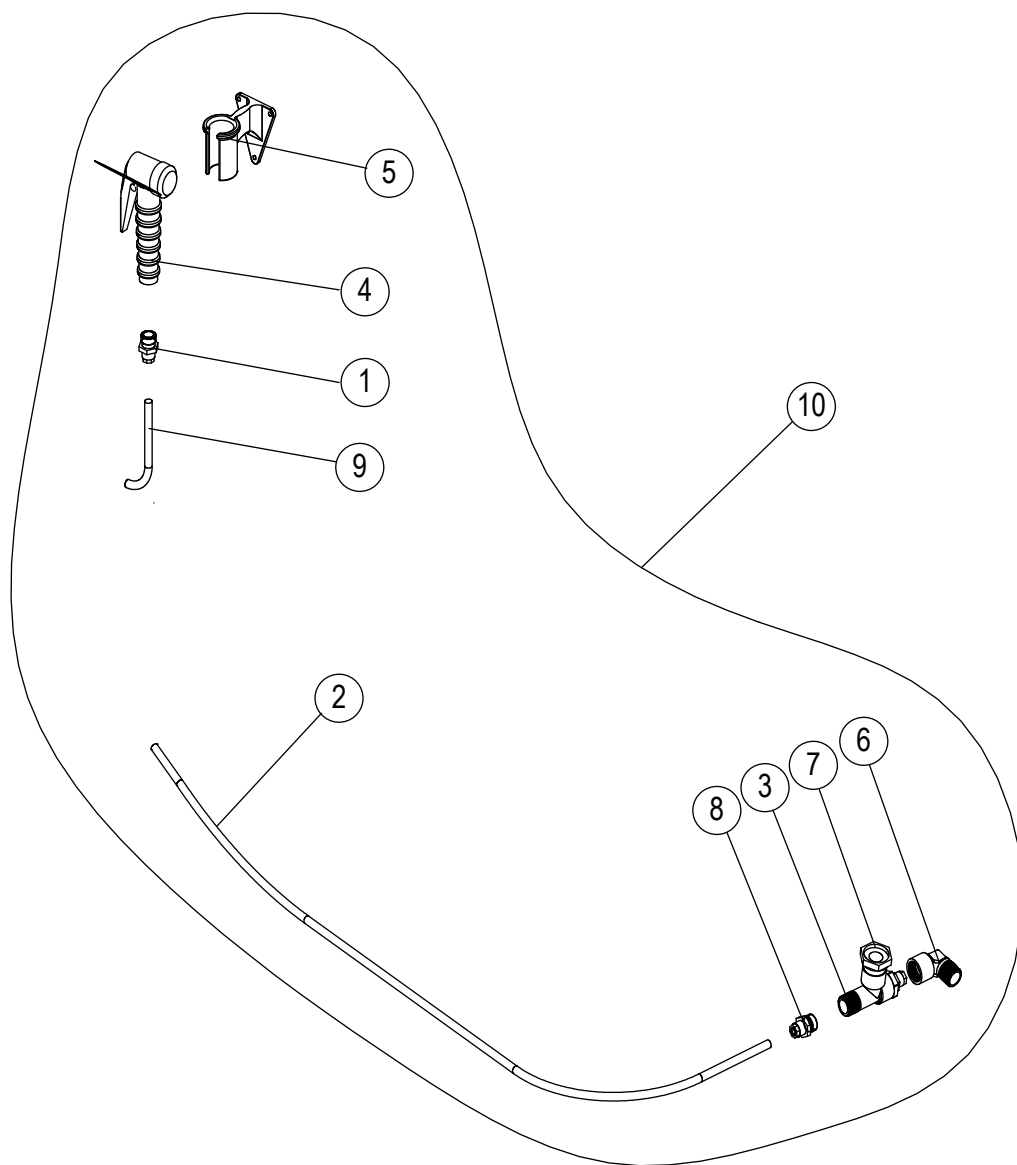
Ref. No.	Part No.	Description
8	61565	Hose blue Ø50 (Sold by inch)
9	61733	Drain Siv CS
10	62259	Drain box
11	62258	Drip tray, CS
12	62280	Mounting bracket for CS drain
13	61730	Tube, CS 2/3 & 6 pan
13	61731	Tube, CS 10 pan

# CLEANING SYSTEM



Ref. No.	Part No.	Description	Ref. No.	Part No.	Description
1	M0417	Washer, spring 6mm	16	62486	S Endcover 6 Q, 2 leader
2	60929	Silicon hose Ø10x17 mm L 115MM	17	62240	Nut M14 A2 low CSII
3	60929	Silicon hose Ø10x17 mm L 200MM	18	61968	Screw PH M4x8
4	60929	Silicon hose Ø10x17 mm L 300MM	19	60074	Nut M6
5	60929	Silicon hose Ø10x17 mm	20	60088	Washer 6mm
6	60141	Lead-in Ø16/Ø22x1.5	21	61333	Clip Ø10 - 16 mm
7	60194	Pump for detergent/rinse aid, 24 V	22	62241	Washing Arms cpl. 2016
8-9	62239	Hose PVDF Flex Ø6xØ4 Red	23	62242	Copper washer Ø22xØ15X1mm
10	60917	Solenoid valve 1-way/1 coil	24	61933	Tube for washarm, 2/3 & 6 pan CS
10	61572	Solenoid valve 2-way, 2 coil 1,2 L	24	61934	Tube for washarm, 10 pan CS
11	62451	T fitting f wash	25	62244	Injection steam tube
12	61869	Solenoid valve 3-way w/2 coils	26	62245	Plate f singel and double water connection
12	61571	Solenoid valve 4-way, w/3 coils	27	61450	Fixing brackets for dosing pumps CS
13	62331	Terminal block 6 Q, 2 pins grey	28	60539	Plastic clip for solenoid valve
14	62332	Terminal block 6 Q, 2 pins blue		60130	Water Pressure Switch (Not Shown)
15	62333	Terminal block 6 Q, 2 pins yellow/green			

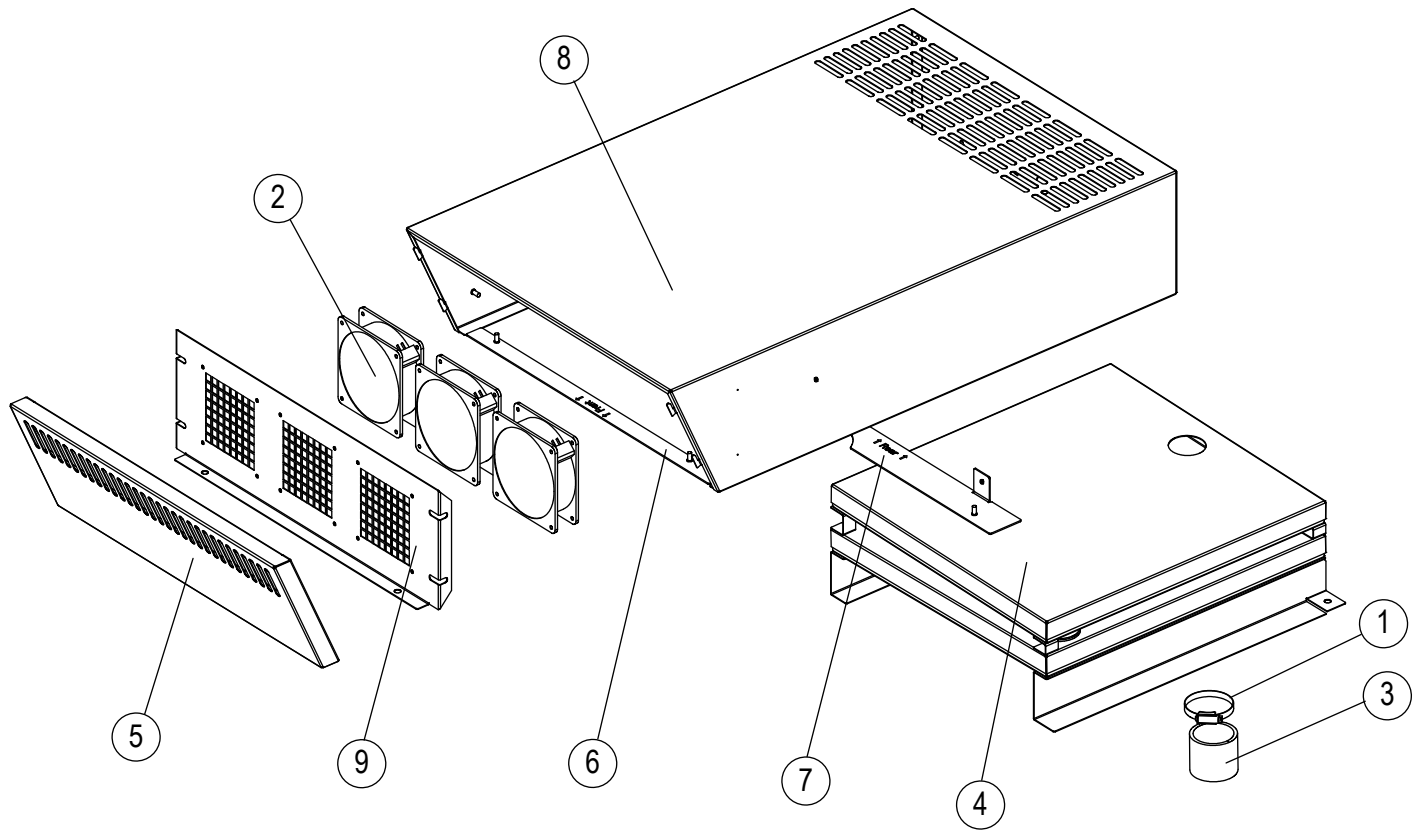
# HANDSHOWER



Ref. No.	Part No.	Description
1	61598	Quick coupling strait 3/8"xØ8/Ø6
2	61601	Hose
3	61604	T-connector for hand shower 1/2"
4	60121	Hand shower
5	61544	Holder for handshower CS

Ref. No.	Part No.	Description
6	61602	Coupling, elbow 90 x 1/2"
7	61603	Union joint 1/2
8	61605	Quick coupling strait Ø8x14
9	61600	Spring for spray gun
10	61606	Hand shower cpl CS

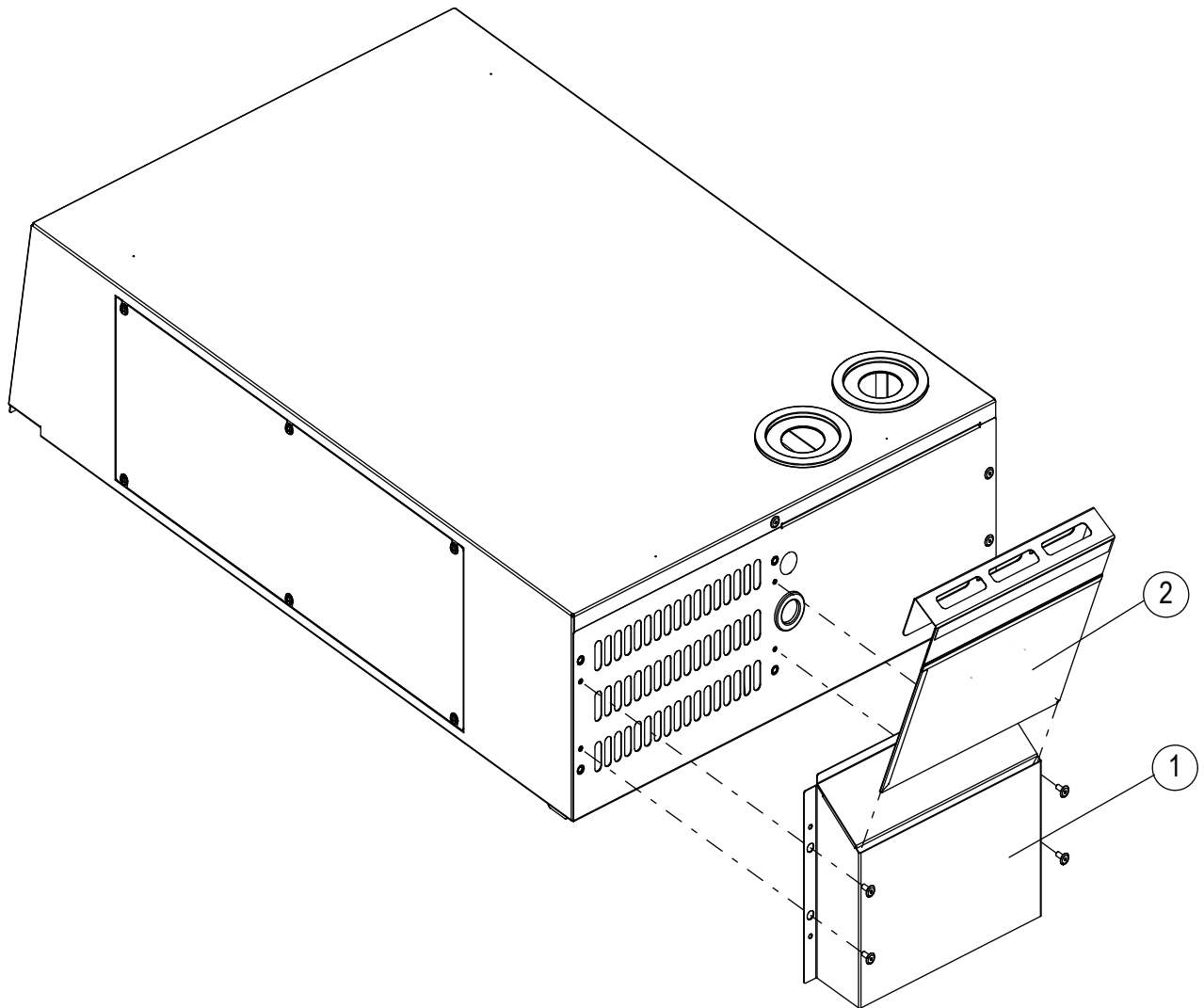
# EXTRACTION HOOD



<b>Ref. No.</b>	<b>Part No.</b>	<b>Description</b>
1	60910	Hose clamp Ø46-Ø64
2	60124	Cooling fan
3	61565	Hose for steam Blue Ø50,8x4,5 L50mm
4	61549	Condenser with console CS
5	62401	Filter panel CS

<b>Ref. No.</b>	<b>Part No.</b>	<b>Description</b>
6	62402	Mounting bracket front CS
7	62403	Mounting Bracket rear CS
8	62404	Condensation hood housing CSII 6 & 10 pan
9	62405	Bracket for cooling fans

# AIR INTAKE FILTER



<b>Ref. No.</b>	<b>Part No.</b>	<b>Description</b>
1	62286	Filter housing CSII
2	62287	Filter for air intake. CSII