



## **BLCT-6E-H AND BLCT-10E-H HOODINI MINI COMBI OVEN REPLACEMENT PARTS LIST**

**EFFECTIVE MARCH 28, 2019**

*Superseding All Previous Parts Lists.*

*The Company reserves the right to make substitution in the event that items specified are not available.*

*ERRORS: Descriptive and/or typographic errors are subject to correction.*

---

**BLODGETT OVEN COMPANY**

42 Allen Martin Drive, Essex Junction, Vermont 05452 USA Telephone: (802) 658-6600 Fax: (802) 860-3732  
[www.blodgett.com](http://www.blodgett.com)

P/N 61938 Rev Q

## **SERIAL NUMBER LOCATION / KEY:**

***IMPORTANT: When ordering parts, please provide the model, gas type and serial number of the oven. The identification plate is located on the back of the oven.***

## **SERIAL NUMBER IDENTIFICATION CODE:**

**DW = BLCT-6E-H**

**DX = BLCT-10E-H**

## **SERIAL NUMBER EXAMPLES**

**011916DW001**

**01/19/16 = DATE**

**DW = LETTER CODE FOR HOODINI COMBI OVENS**

**001 = FACTORY SEQUENCE**

## **TO OBTAIN LITERATURE:**

Email: [literature@blodgett.com](mailto:literature@blodgett.com)

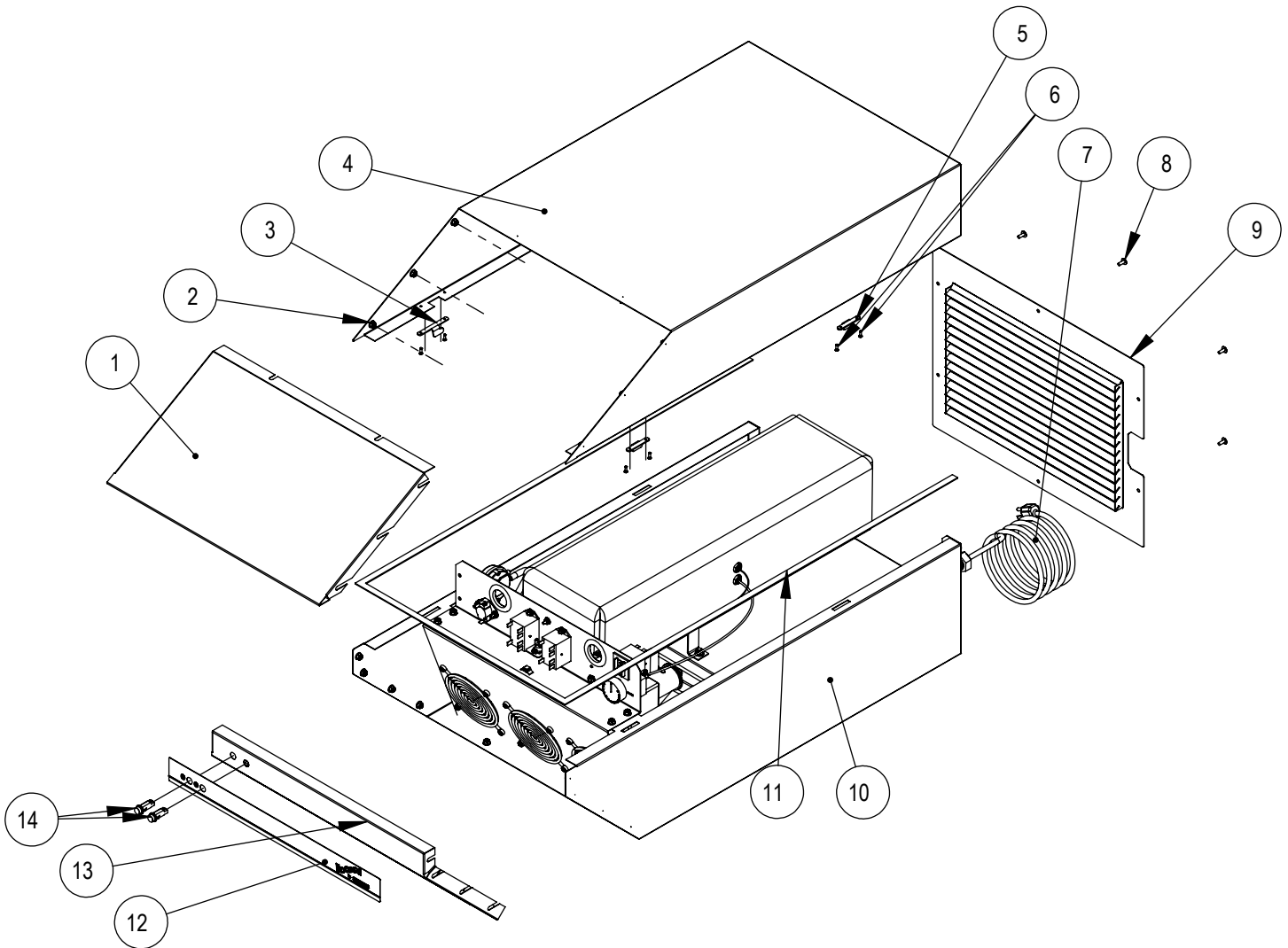
or visit

[www.blodgett.com](http://www.blodgett.com)

# TABLE OF CONTENTS

EXTERIOR COMPONENTS .....	4
EXTERNAL DRAIN BOX.....	5
ELECTRICAL PANEL.....	6
CATALYTIC DUCT ASSEMBLY .....	7
CATALYTIC CONDENSER ASSEMBLY .....	8
CONTROL PANEL ASSEMBLY .....	9

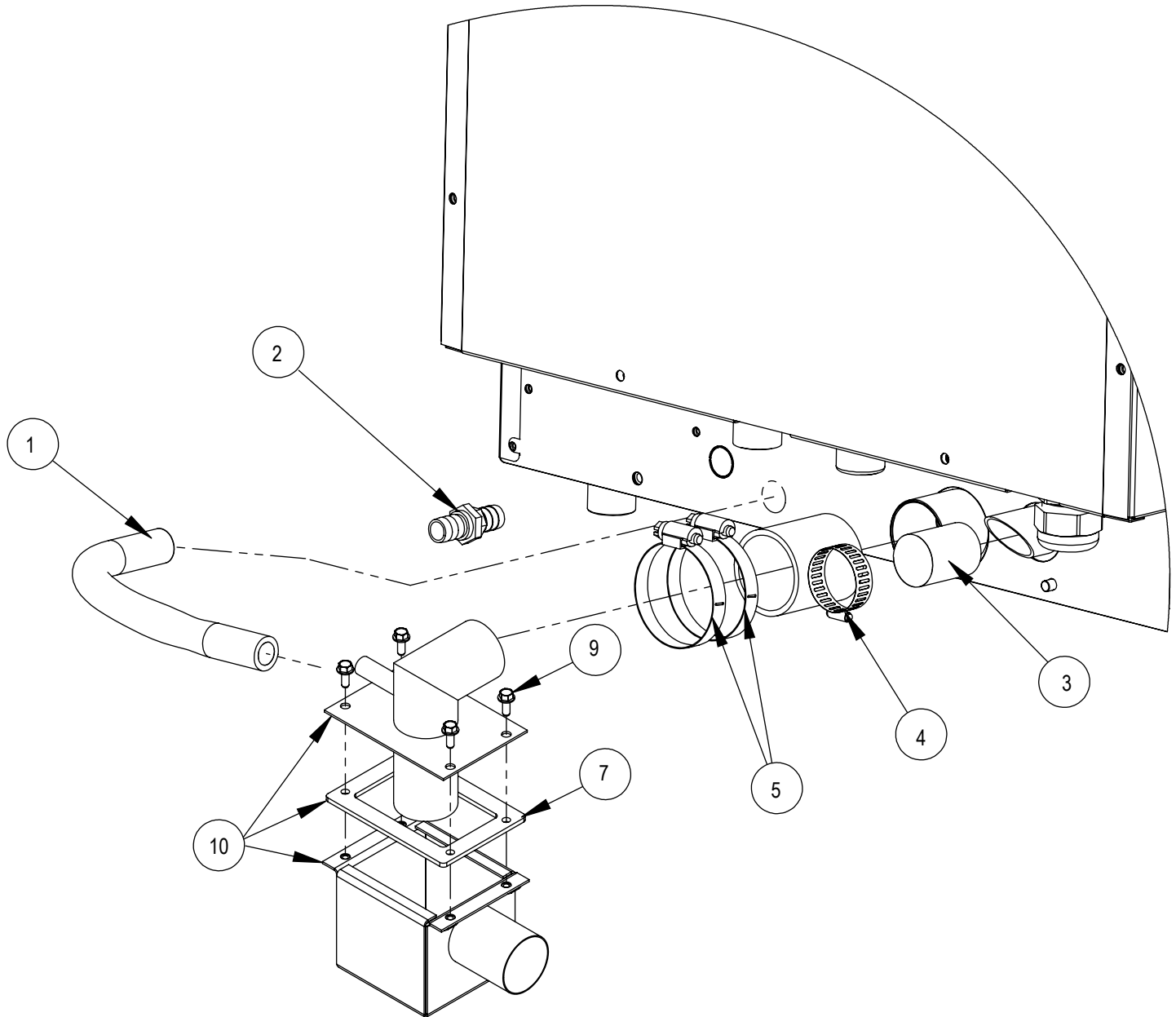
# EXTERIOR COMPONENTS



Ref. No.	Part No.	Description
1	61805	TOP, FRONT FACE
2	M3950	#10-24 HEX FLANGED NUT
3	61646	LOCKING TAB, LEFT
4	61639	TOP, HOOD ASSY
5	61647	LOCKING TAB, RIGHT
6	R1278	RIVET, POP, 1/8 X 1/4
7	61717	CORDSET, 14/3, 15A, 120"

Ref. No.	Part No.	Description
8	16384	10-24 X .500 TRUSS HEAD MACH SCREW
9	61643	BACK, VENT ASSEMBLY
10	61625	BASE, VENT ASSEMBLY
11	61715	GASKET TAPE, SILICONE, 1/16 X 1/2
12	61737	DECAL, HOODINI
13	61802	ASSEMBLY, FRONT GRILL
14	18266	INDICATOR LIGHT, BLUE

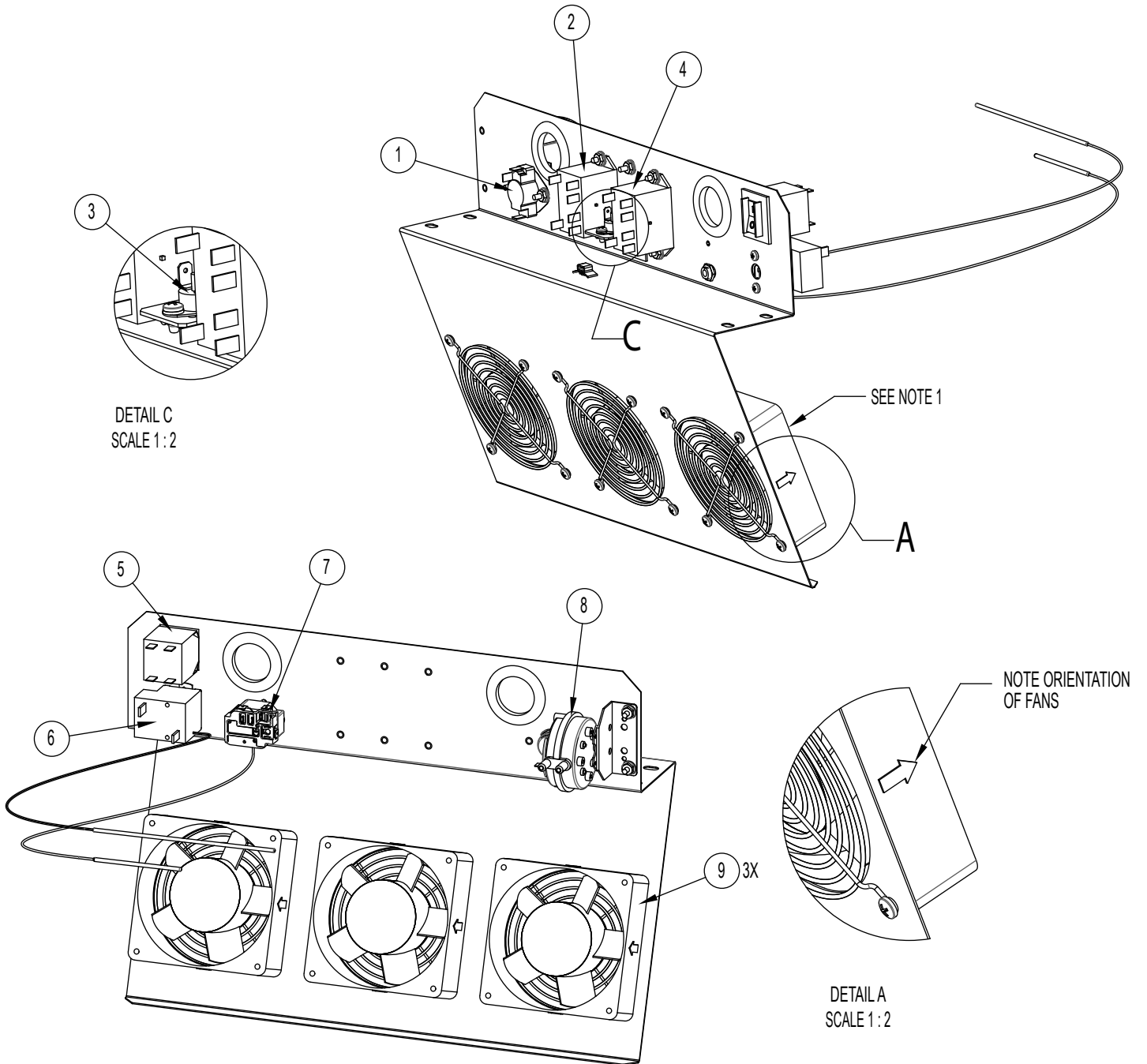
# EXTERNAL DRAIN BOX



<b>Ref. No.</b>	<b>Part No.</b>	<b>Description</b>
1	R2813	HOSE, 1/2 I.D.
2	61760	FITTING, BULKHEAD, 1/2 HOSE
3	61758	CAP, Ø 1.00 X 1.50
4	R0254	CLAMP, HOSE 3/4" - 1 1/2"
5	R0082	CLAMP, HOSE 1 5/16" - 2 1/4"

<b>Ref. No.</b>	<b>Part No.</b>	<b>Description</b>
7	61994	GASKET, DRAIN BOX (AFTER 8/16/16 AND BEFORE 11/26/18)
	59197	GASKET DRAIN BOX (BEFORE 8/16/16)
9	57725	SCREW, #10-24 x 1/2" SERRATED HEX FLANGE S/S (BEFORE 11/26/18)
10	61956	TRAP BOX ASSEMBLY COMPLETE

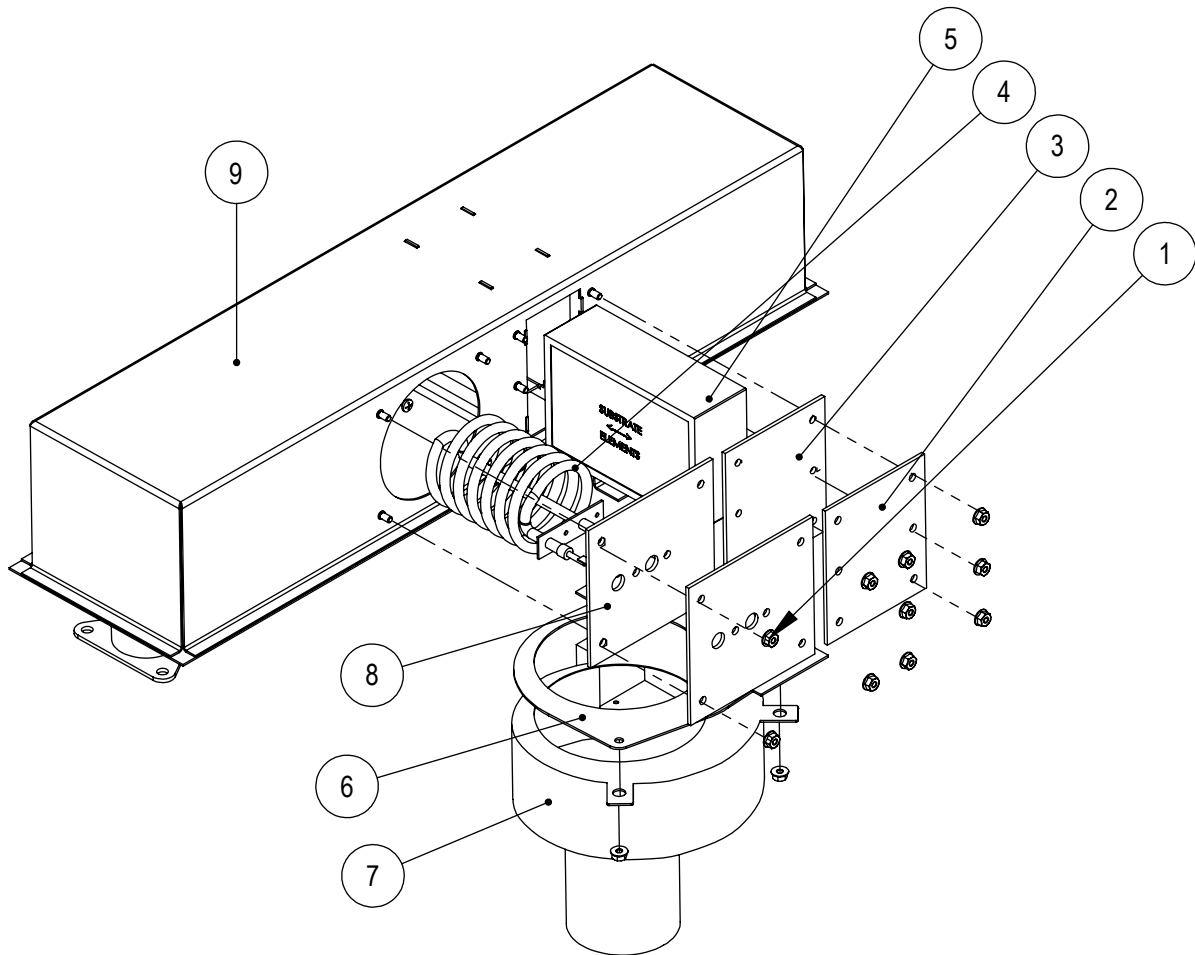
# ELECTRICAL PANEL



Ref. No.	Part No.	Description
1	36755	SWITCH, THERMAL, SPDT
2	37058	RELAY, DPST 25A 24V
3	56760	THERMAL SWITCH, MANUAL RESET
4	36603	RELAY, DPST 25A 120V
	58605	KNOB, CAPILLARY TSTAT

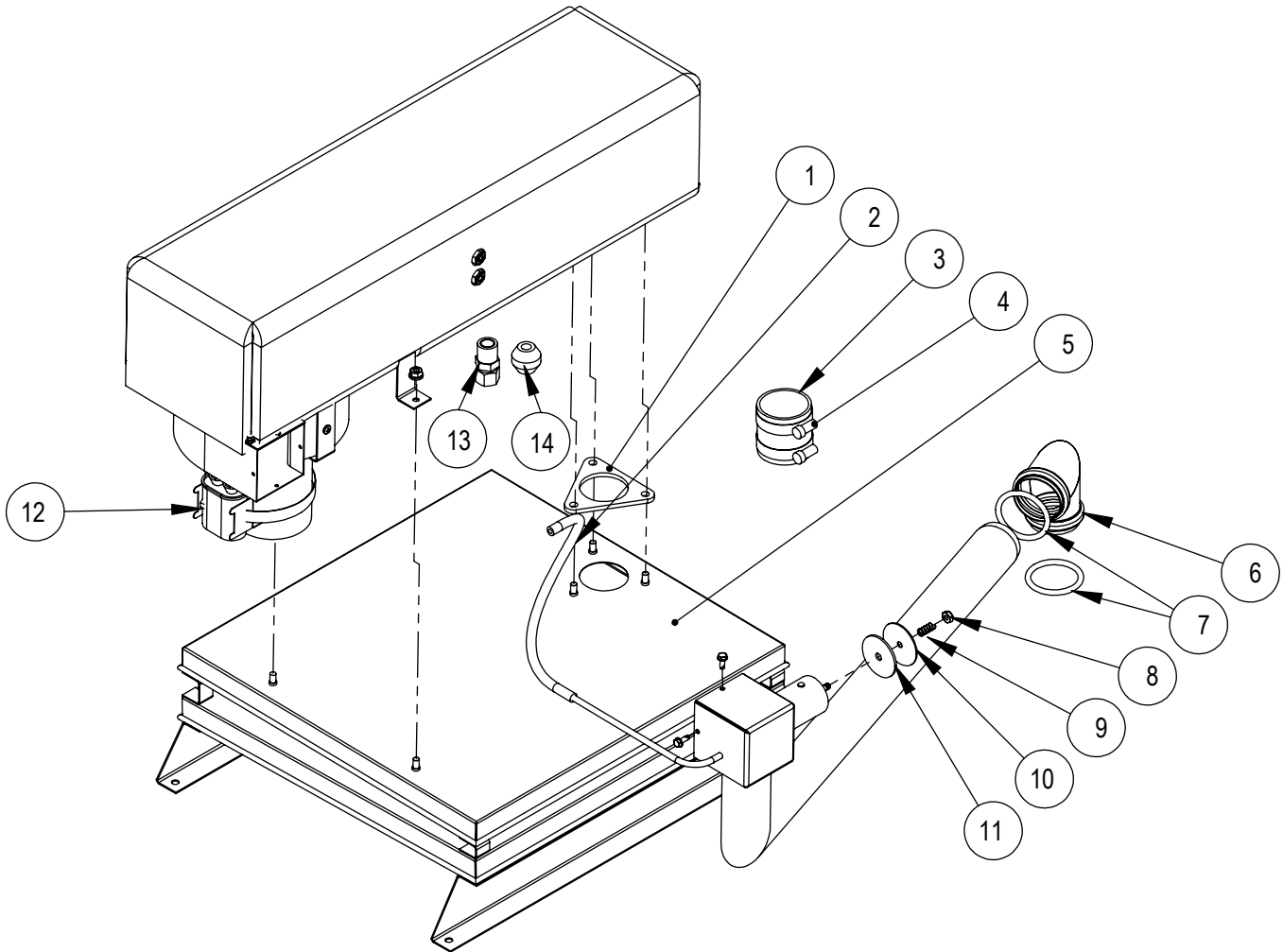
Ref. No.	Part No.	Description
5	39688	CIRCUIT BREAKER, 20A
6	59369	THERMOSTAT, CAPILLARY (140-752F)
7	58025	THERMOSTAT, HIGH LIMIT SPST NC
8	54802	PRESSURE SWITCH
9	22301	AXIAL FAN, 4"

# CATALYTIC DUCT ASSEMBLY



<b>Ref. No.</b>	<b>Part No.</b>	<b>Description</b>	<b>Ref. No.</b>	<b>Part No.</b>	<b>Description</b>
1	M3950	#10-24 HEX FLANGED NUT	5	62233	CATALYTIC CONVERTER, BLC6E W/ GASKET
2	62230	CATALYTIC COVER PLATE	6	54835	GASKET, DRAFT INDUCER BLOWER
3	62341	GASKET, CATALYST	7	38515	BLOWER ASSY, 120V
4	62341	KIT, HEATER, HELICAL, 1400W, 120V W/ ¼" QC TERMINATION (SERIAL NUMBER 032218DW094S OR LATER)	8	58599	ELEMENT GASKET
4	62478	KIT, HEATER, HELICAL, 1400W, 120V W/ STUD & RING TERMINATION (SERIAL NUMBER BEFORE 032218DW094S)	9	61631	CATALYTIC DUCT ASSEMBLY
				61736	INSULATION, CATALYTIC DUCT ASSEMBLY

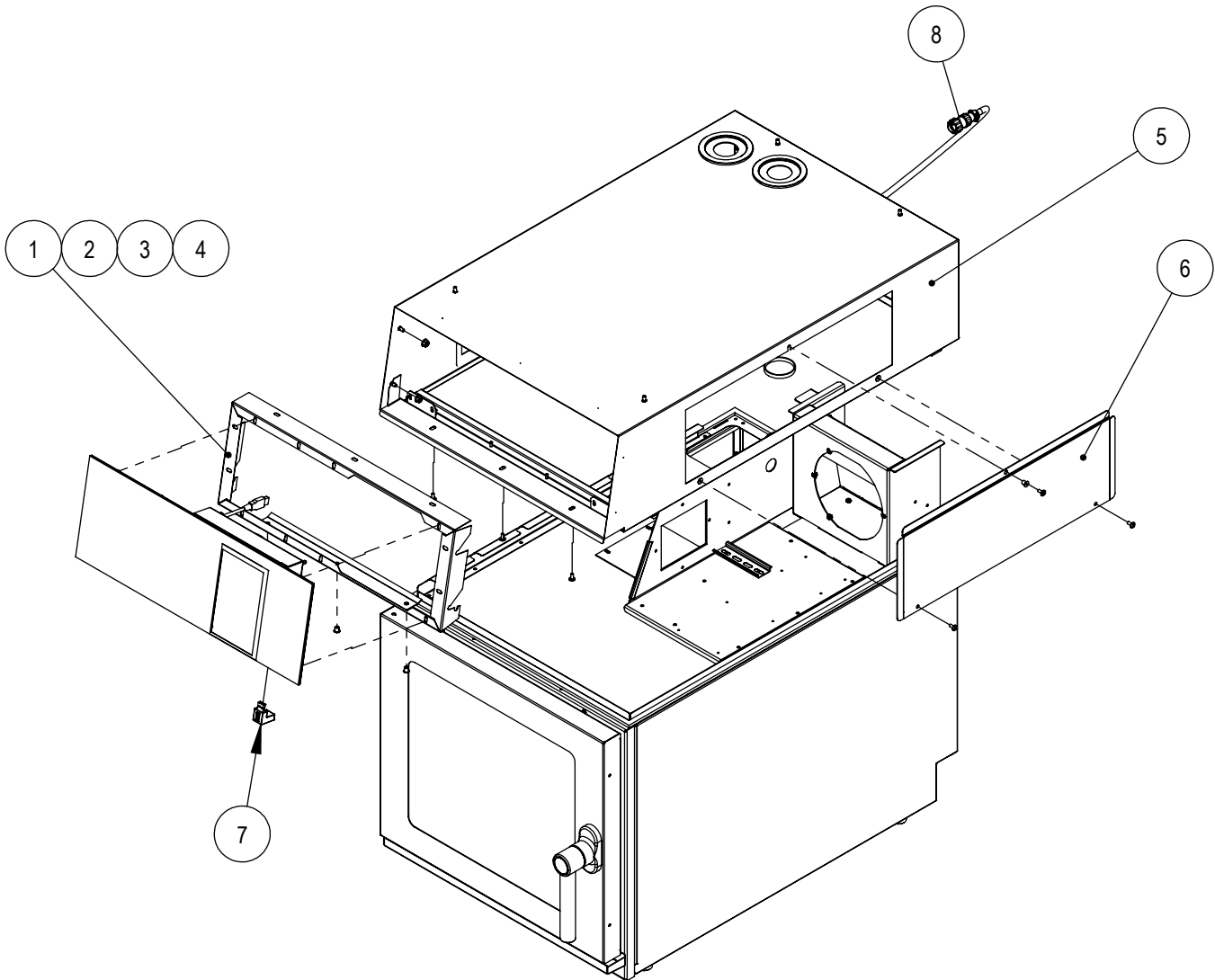
# CATALYTIC CONDENSER ASSEMBLY



<b>Ref. No.</b>	<b>Part No.</b>	<b>Description</b>	<b>Ref. No.</b>	<b>Part No.</b>	<b>Description</b>
1	R10252	GASKET, OUTLET PLATE	9	R7575	SPRING, 5/16" X 1"
2	M9705	TUBING, SILICONE (BY THE INCH)	10	R7570	DIAPHRAGM, PRESSURE RELIEF
3	52648	TUBING, 2.00" I.D. SILICONE (BY THE INCH)	11	R2657	GASKET, STEAM OUTLET
4	R2207	CLAMP, HOSE STN. STL., 7/8" TO 2-3/4"	12	38610	CAPACITOR, ELECTROLYTIC, 5MFD
5	61955	CONDENSER ASSEMBLY	13	38844	BRASS FITTING
6	61352	ELBOW	14	38846	SLEEVE
7	60103	O-RING			
8	R7732	NUT, 1/4-20 THIN W/NYLON INSERT			



# CONTROL PANEL ASSEMBLY



<b>Ref. No.</b>	<b>Part No.</b>	<b>Description</b>
1	61791	BRACKET, CONTROL PANEL, LEFT (BEFORE 5-15-16)
2	61790	BRACKET, CONTROL PANEL, TOP (BEFORE 5-15-16)
3	61788	BRACKET, CONTROL PANEL, RIGHT (BEFORE 5-15-16)
4	61789	BRACKET, CONTROL PANEL, BOTTOM (BEFORE 5-15-16)

<b>Ref. No.</b>	<b>Part No.</b>	<b>Description</b>
5	61786	ASSEMBLY, TOP (BEFORE 5-15-16)
5	62387	ASSEMBLY, TOP (AFTER 5-15-16)
6	61787	ACCESS DOOR (BEFORE 5-15-16)
6	61967	ACCESS DOOR (AFTER 5-15-16)
7	61808	USB, RIGHT ANGLE (BEFORE 5-15-16)
8	61740	CABLE ASSY