



**COS-101 & COS-101S
COMBI OVEN STEAMER
REPLACEMENT PARTS LIST**

EFFECTIVE JUNE 11, 2015

Superseding All Previous Parts Lists.

The Company reserves the right to make substitution in the event that items specified are not available.

ERRORS: Descriptive and/or typographic errors are subject to correction.

BLODGETT OVEN COMPANY

44 Lakeside Avenue, Burlington, Vermont 05401 USA Telephone: (802) 658-6600 Fax: (802) 860-3732
www.blodgett.com

P/N 53117 Rev C

SERIAL NUMBER LOCATION / KEY:

IMPORTANT: When ordering parts, please provide the model, gas type and serial number of the oven. The identification plate is located on the left side of the combustion compartment and, also, above the control panel under the ledge.

SERIAL NUMBER IDENTIFICATION CODE:

HD, HE, HG, HJ

SERIAL NUMBER EXAMPLES

062001HD001T (NEW STYLE)

06/20/01 = DATE

HD = LETTER CODE FOR MODEL NAME

001 = FACTORY SEQUENCE

T = TOP OVEN

OR

0685HD1820101

06/85 = MONTH & YEAR

HD = LETTER CODE FOR MODEL NAME

1820101 = FACTORY SEQUENCE

TO OBTAIN LITERATURE:

Email: literature@blodgett.com

or visit

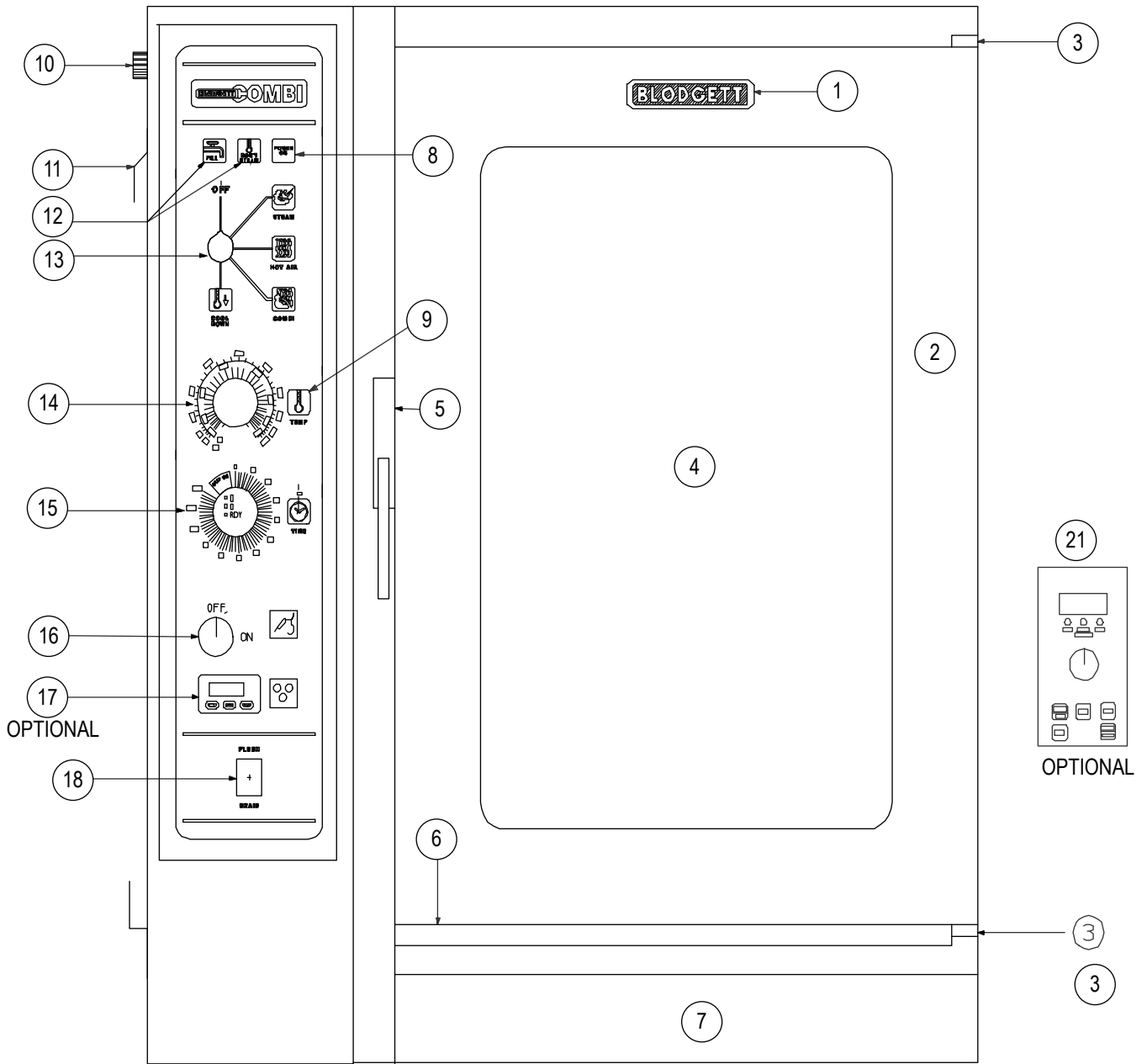
www.blodgett.com

TABLE OF CONTENTS

◆ Doors Are Not Returnable

CONTROL PANEL, DOOR & EXTERIOR COMPONENTS	4
CONTROL PANEL, DOOR & EXTERIOR COMPONENTS	5
OVEN INTERIOR	6
PLUMBING COMPONENTS	7
ELECTRICAL COMPONENTS	8
ELECTRICAL COMPONENTS	9

CONTROL PANEL, DOOR & EXTERIOR COMPONENTS



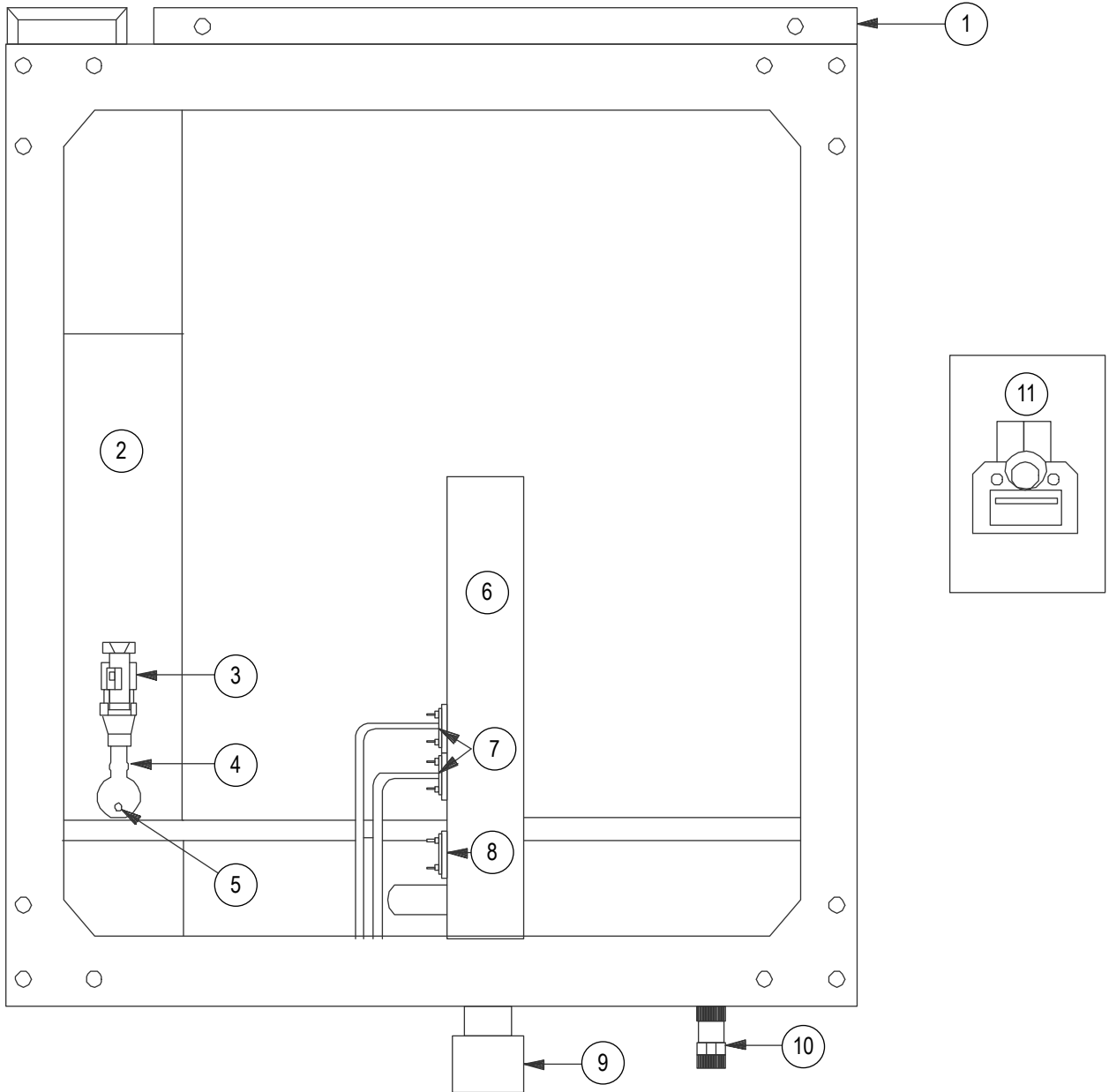
CONTROL PANEL, DOOR & EXTERIOR COMPONENTS

<u>Ref. No.</u>	<u>Part No.</u>	<u>Description</u>	<u>Ref. No.</u>	<u>Part No.</u>	<u>Description</u>
1	90086	Nameplate, Blodgett		R1278	Rivets, trough holder
2	R2916	Door complete, 101	7	R2905	Pan, drip 101
	R2921	Door complete, 101S		R2904	Pan, drip 101S
	R3014	Gasket, door perimeter 101		R0715	Clip, retainer
	R3015	Gasket, door perimeter 101S		R0391	Nutsert, drip pan 101S
	R3047	Retainer strip, gasket (horizontal) 101	8	R1318	Indicator light, green
	R3050	Retainer strip, gasket (horizontal) 101S	9	R0226	Indicator light, clear
	R3049	Retainer strip, gasket (vertical) 101	10	R2998	Decalcifier inlet, threaded
	R3051	Retainer strip, gasket (vertical) 101S	11	R3654	Handle, drain decalcifier
	R3088	Screw, flat head (retainer strips)		R3155	Valve, decalcifier w/fittings
	R2818	Switch assy, door		R3011	Cap, decalcifying black
	R2844	Activator, door switch		R3012	Funnel, decalcifier inlet assy
	4068	Grommet, door switch	12	R0226	Indicator light, clear
3	R3658	Door hinge assy (pin, spring, screw, washer)	13	R4623	Switch, mode 4 position
	R2821	Hinge bracket, bottom		R8515	Knob & shaft assy, mode switch
	R2822	Hinge bracket, top			Knob & shaft assy, mode switch,
	R3397	Hinge pins/bolts			Square D (before 6/15/96) OBS
	R2292	Washer, door height adjustment	14	R6407	Controller, temperature hot air
4	R5798	Glass, door 101			150-500 degrees P5
	R5797	Glass, door 101S		R1178	Thermostat, hot air P5
	R2105	Gasket, door glass 101 (per foot)		R6003	Probe, temperature hot air
	R2105	Gasket, door glass 101S (per foot)		16686	Knob, thermostat hot air
5	R6313	Handle, door (s/n's after 12/1/98)	15	R2666	Timer, 120 minute
	R6314	Screw, door handle		R3942	Timer, 120 minute 50hz (export only)
	R7833	Retrofit kit, door handle (s/n's before 12/1/98)		16686	Knob, timer)
	R7830	Plate, door handle retrofit	16	R4622	Switch, mode meat probe 1 position
	R2296	Catch, door	17	R5242	Controller, meat probe (after 3/96)
	R3663	Catch, shim		R6746	Thermostat, meat probe (before 3/96)
	R2369	Reattachement kit, rivet plate (s/n's before 12/1/98)		R6988	Suppresser arc, meat probe
	R1452	Plate, shim (s/n's before 12/1/98)		R5315	Probe, plug-in, cable (after 7/95)
				R5317	Conversion kit, meat probe (to plug-in type) (before 7/95)
6	R2080	Trough, door drip 101	18	R2715	Switch, momentary Flush/Drain
	R1409	Trough, door drip 101S		R10899	Hose & spray nozzle 10 foot
	R3089	Holder, trough door 101	21	R7854	Control, Time & Temp (Retrofit Kit)
	R3090	Holder, trough door 101S			

OVEN INTERIOR

Ref. No.	Part No.	Description
	R5081	Blower wheel, large (HD HE s/n)
	R4771	Gasket, blower mounting
	R1028	Blower wheel, large (HG HJ s/n)
	R3649	Element assy, hot air 208V
	R3650	Element assy, hot air 240V
	R3651	Element assy, hot air 480V
	R3760	Filter, grease
	R1744	Baffle assy, air 101
	R1522	Baffle assy, air 101S
	R8128	Retrofit assy, baffle 101
	R8129	Retrofit assy, baffle 101S
	R1024	Rack support left 101S
	R1112	Rack support right 101S
	R1012	Shelf, wire rack s/s 101
	R1059	Shelf, wire rack s/s 101S

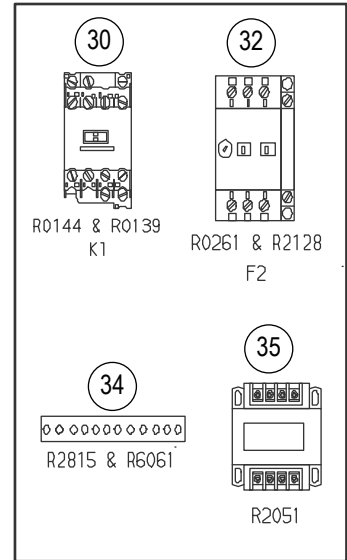
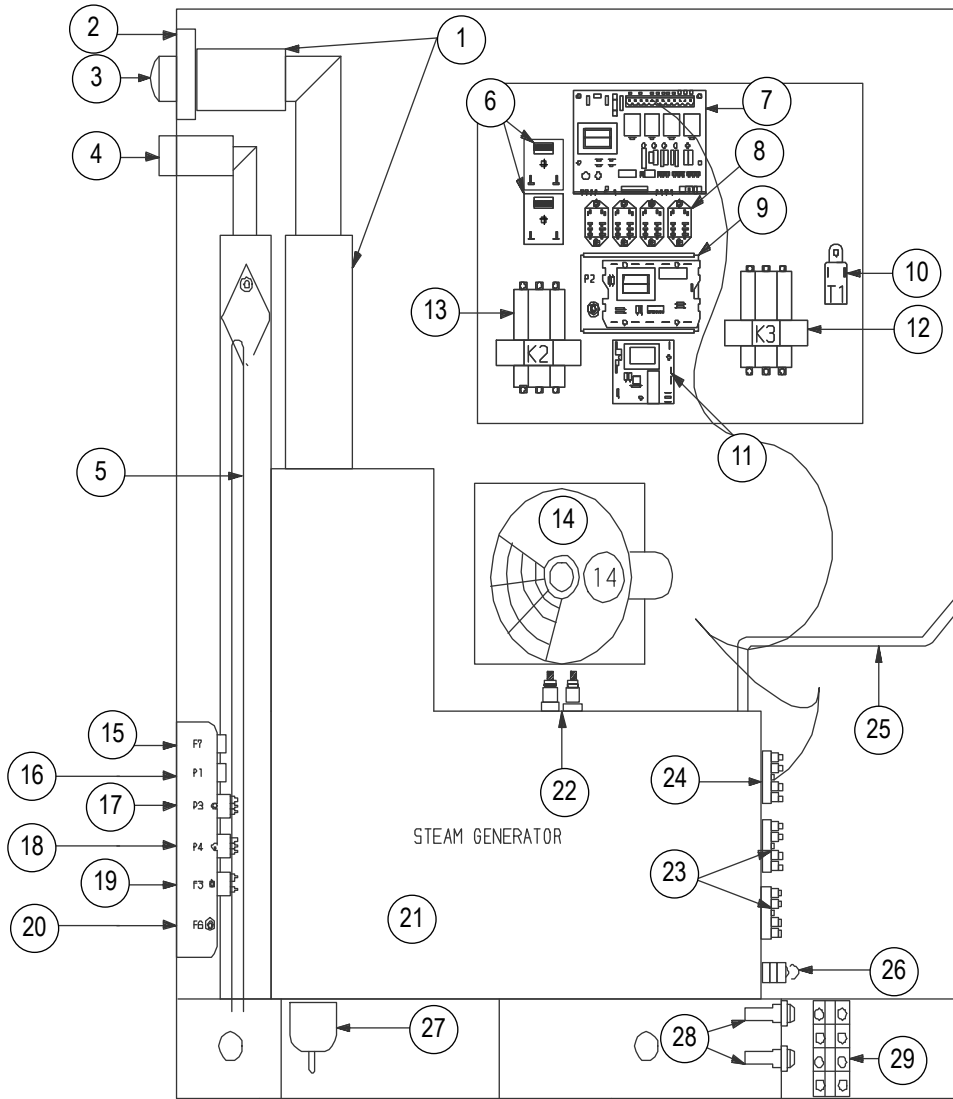
PLUMBING COMPONENTS



Ref. No.	Part No.	Description
1	R2905	Pan assy, drip 101
	R2904	Pan assy, drip 101S
2	R2473	Steam generator insulated
3	R2726	Pump, drain
	R6870	O'ring, drain pump
4	R2467	Boot, rubber drain
	R0082	Clamp, small drain boot
	R2487	Clamp, large drain boot
5	R2624	Plug, rubber drain boot
7	R3643	Quench spray nozzle assy
	R3755	Gasket, quench spray nozzle

Ref. No.	Part No.	Description
8	R3755	Gasket, quench thermostat P4
	R5414	Grommet, quench thermostat P4
9	R2202	Drain manifold connecting boot
	R2207	Clamp, drain boot
	R2868	Gasket, drain
	R9064	Vent kit
10	R11210	Pressure regulator
11	R5093	Solenoid valve, triple 208/240V
	R5077	Valve body, solenoid triple
	R5075	Coil, solenoid valve triple
	R5071	Fitting, barbed

ELECTRICAL COMPONENTS



ELECTRICAL COMPONENTS

<u>Ref. No.</u>	<u>Part No.</u>	<u>Description</u>	<u>Ref. No.</u>	<u>Part No.</u>	<u>Description</u>
1	R2814	Steam outlet tube 1-5/8" ID (per foot)	19	R1573	Thermostat, compartment hi limit 670 degrees F3
	R0082	Clamps, steam outlet tube			
2	23034	Axial cooling fan 230V	20	R2630	Thermostat, boiler hi limit F6
3	R4891	Overpressure assy, steam		R3662	Thermostat, fan control snap disc F7
4	R2927	Hose, vent 7/8" Id (per foot)		R2039	Thermostat, fan P8 (HG HJ s/n)
	R0254	Clamps, hose vent	21	R2473	Steam generator, insulated
5	R11008	Hose, quench stack 3/8" ID (5')		R2474	Insulation, steam generator
	R0080	Clamps, quench stack	22	R6965	Probe assy, level sensing
6	R5305	Timer, 2 second solid state (480V only)		R5361	Probe only, level sensing
7	R6402	Timing board 208/240V		R1491	Gasket, probe R5361
8	R2792	Relays, R1 R2 R3 R4, 220/240V ice cube		R3142	Probe, level sensing 3 wires
9	R1443	Thermostat, steam control board P2	23	R2768	Element assy, steam 208V 3kw
	R0022	Sensor, steam control board		R2771	Element assy, steam 240V 3kw
10	R9498	Buzzer, control 240V		R7187	Element assy, steam 380/220V 3kw (export only)
11	R5708	Level control board, 208/240V		R2770	Element assy, steam 480V 3kw
	R5776	Conversion kit, water level control	24	R7180	Element assy, steam w/thermocouple 208V 3kw
12	58650	K2/K2A/K3 Replacement Kit 65A		R7182	Element assy, steam w/thermocouple 240V 3kw
13	58651	K2/K2A/K3 Replacement Kit 40A		R7184	Element assy, steam w/thermocouple 480V 3kw)
14	R5108	Motor, oven cavity, 115/230V 50/60hz, 1ph, 1/2hp (HD HE s/n)	25	R11008	Hose, decalcifier inlet 3/8" ID (5')
	R4920	Motor, oven cavity, 480V, 3ph, 1/2hp (HD HE s/n)	26	R11008	Hose, fill 3/8" ID (5')
	R9648	Seal, 1/4" I.D.	27	R2467	Boot, rubber drain
	R4244	Seal, rotary shaft		R0082	Clamp, boot small
	R5769	Tool, motor installation		R2487	Clamp, boot large
	R0092	Motor, oven cavity, 208/240V 3ph (HG HJ s/n)	28	R2624	Plug, rubber drain boot
	R0079	Motor, oven cavity, 240V 1ph (HG HJ s/n)		R0032	Fuse, 3 amp 208/240V
	R0081	Motor, oven cavity, 480V 3ph (HG HJ s/n)		20163	Holder, fuse 3 amp
	R3647	Motor mounting hardware kit		R0043	Fuse, 3 amp 600V (HG HJ s/n)
	R2328	Packing rope w/plate & seal		R5755	Fuse, 5 amp 208/240V
	R0083	Capacitor, motor start 6ufd, 370V		R5774	Fuse, 2 amp 480V
15	R3662	Thermostat, electrical compartment hi limit F7		R5773	Fuse, 1 amp 480V
16	R2801	Thermostat, too hot to steam P1	29	20442	Holder, all fuses
17	R0118	Thermostat, preheat priority P3	30	R1586	Terminal block, power
18	R0122	Thermostat, quench P4		51692	Contactactor, motor 208V K1
				51693	Contactactor, motor 240V K1
			32	R0261	Motor protector, K-PKZM 208/240V F2
				R2128	Motor protector, K-PKZM 480V F2
			34	R2815	Pin connector, 10 pin
				R6061	Pin connector, 12 pin
			35	R2051	Transformer, 480V only
				R11302	Hose, steam transfer 7/8" ID (green) (12")