



## **DFG-100 XCEL SERIES GAS CONVECTION OVEN REPLACEMENT PARTS LIST**



**EFFECTIVE JULY 28, 2016**

Superseding All Previous Parts Lists.

The Company reserves the right to make substitution in the event that items specified are not available.

ERRORS: Descriptive and/or typographic errors are subject to correction.

---

### **BLODGETT OVEN COMPANY**

44 Lakeside Avenue, Burlington, Vermont 05401 USA Telephone: (802) 658-6600 Fax: (802) 860-3732  
[www.blodgett.com](http://www.blodgett.com)

*P/N 54803 Rev F*

## **SERIAL NUMBER LOCATION / KEY:**

***IMPORTANT: When ordering parts, please provide the model, gas type and serial number of the oven. The identification plate is located above the right hand door under the ledge.***

## **SERIAL NUMBER IDENTIFICATION CODE:**

**RI = DFG100 XCEL**

### **SERIAL NUMBER EXAMPLES**

**062001RI001T (NEW STYLE)**

**06/20/01 = DATE**

**RI = LETTER CODE FOR DFG100XCEL**

**001 = FACTORY SEQUENCE**

**T = TOP OVEN**

### **TO OBTAIN LITERATURE:**

Email: [literature@blodgett.com](mailto:literature@blodgett.com)

or visit

[www.blodgett.com](http://www.blodgett.com)

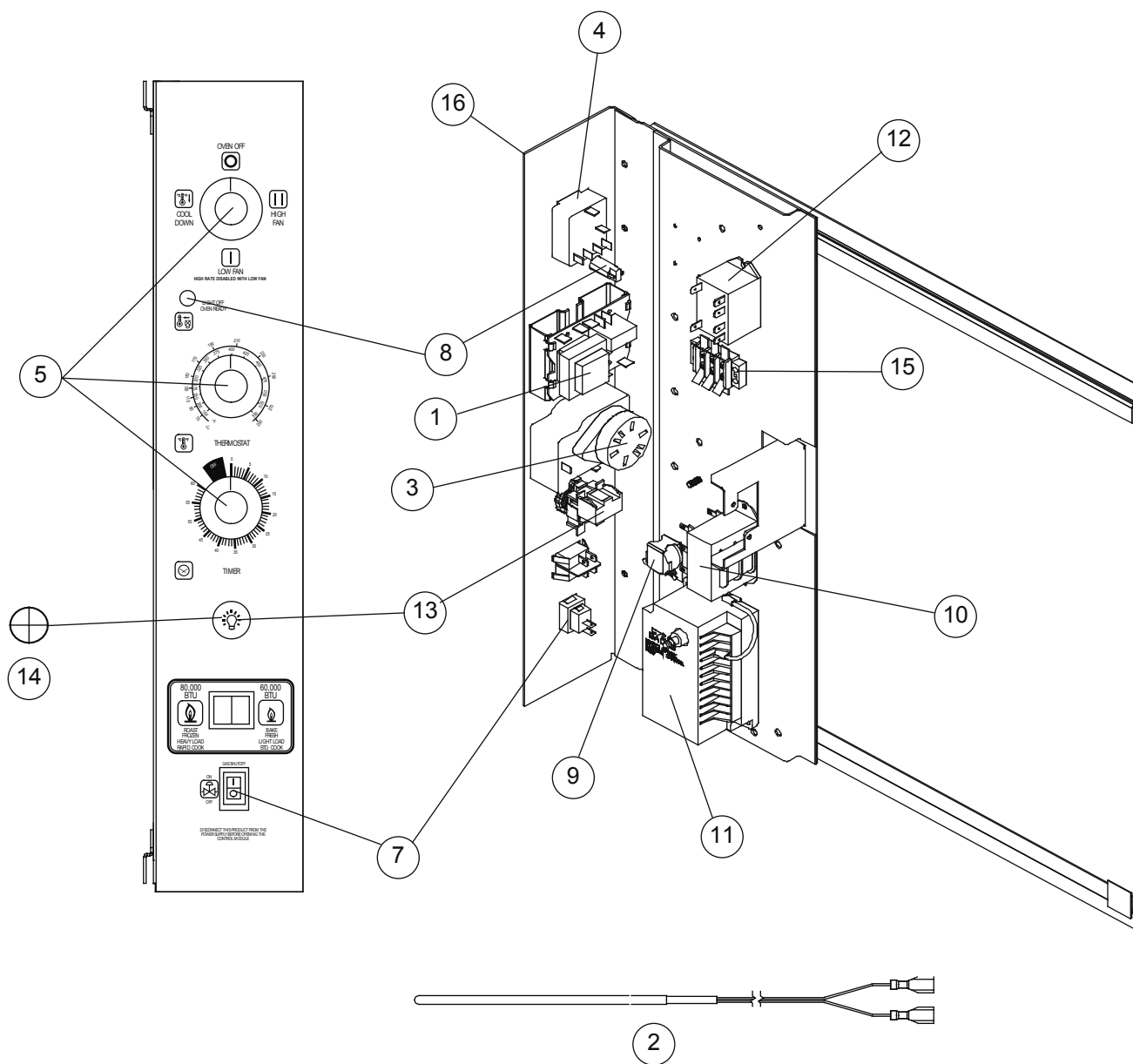
# TABLE OF CONTENTS

## ◆ Doors Are Not Returnable

INFINITE CONTROL .....	4
DIGITAL TIME & TEMP CONTROL, 5 KEY .....	6
CHPRO3 CONTROLS, 14 KEY.....	8
IQ2 CONTROLS, 23 KEY .....	10
SMARTOUCH CONTROL.....	11
HUMIDAIRE 5 KEY.....	12
HUMIDAIRE COMPONENTS .....	13
EXPLODED INTERIOR VIEW .....	14
INTERIOR COMPONENTS W/EXTERIOR VIEW .....	15
BURNER & PIPING COMPONENTS.....	16
GAS VALVE ASSY .....	17
DOOR COMPONENTS.....	18
LOWER DOOR SUPPORT COMPONENTS .....	19
ACCESSORIES.....	20

# INFINITE CONTROL

120 VOLT FOR OVENS BUILT BEFORE 10/22/2003

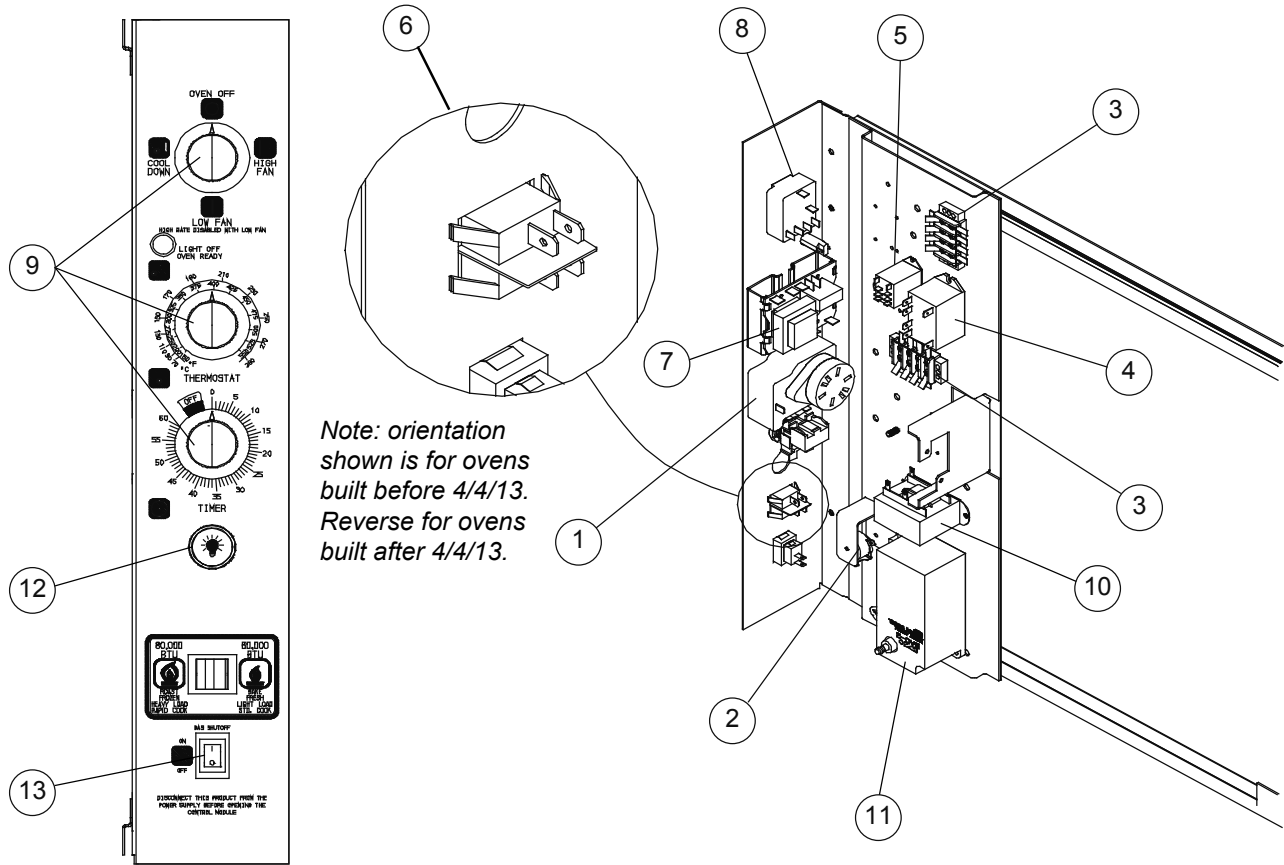


Ref. No.	Part No.	Description
1	36546	Controller, Temperature, Solid State Modular
2	36506	Probe, Temperature, Solid State
3	18225	Timer, 60 Minute, 120V, 60 HZ
4	21068	Mode Selector Switch, 4 pos
5	36616	Knob, Replacement, all functions Qty 3
7	36376	Gas Switch, On/Off
8	18265	Indicator Light, Round, Red 28V
9	36121	Buzzer, 120V
10	20355	Transformer 115V to 24V
11	54725	Spark Box Nat & LP

Ref. No.	Part No.	Description
12	36603	Relay, 120V
13	30662	Momentary Light Switch Kit
14	36651	Plug, for Light Switch
		<b>NOTE: For units without lights only, use this plug piece.</b>
15	36604	Terminal Block, for controller
	30503	Terminal Block, interconnecting, at rear of unit
	22301	Axial Fan, Low Velocity, 115V, 60 HZ (Qty 2)
	36580	Harness, Rear Connecting

# INFINITE CONTROL

24 VOLT FOR OVENS BUILT AFTER 10/22/2003

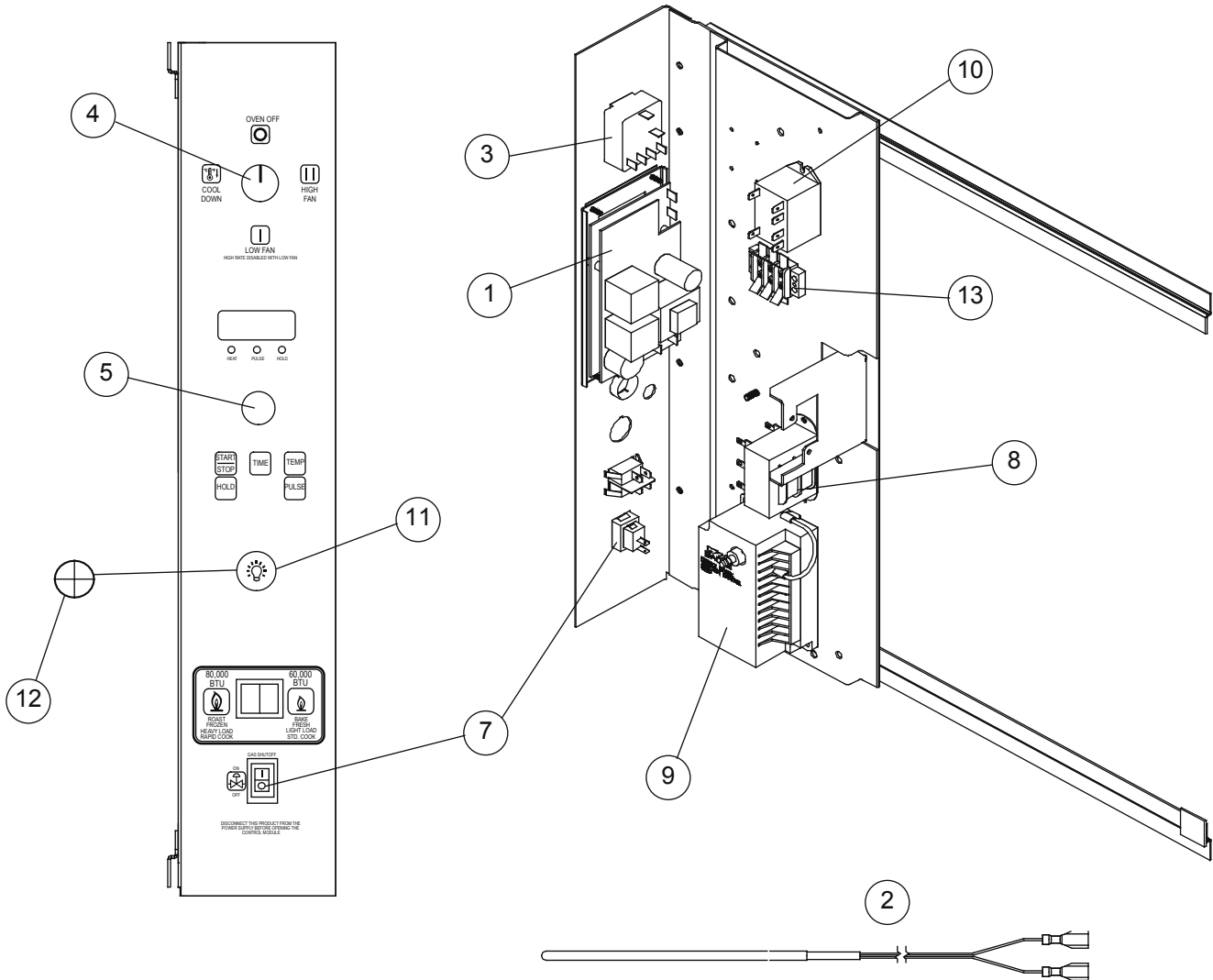


Ref. No.	Part No.	Description
1	37317	Timer, 60 Min 24V
2	37489	Buzzer, 24V
3	37090	Harness, Module Inf
4	37058	High Fan Relay, 24 V
5	52781	Low Fan Relay, DPST 24V
	37334	Harness, Infinte Add-In
6	R8740	Rate Switch
	37324	Module Assy, Infinte 2 SP (Complete with Probe)

Ref. No.	Part No.	Description
7	36546	Controller, Temp, Before 4/4/13
	56644	Controller, Temp 350° TDC, After 4/4/13
	36506	Probe, Temp, Before 4/4/13
	36720	Probe, Temp, After 4/4/13
8	21068	Switch, Mode 4 Position
9	36616	Knob, Control
10	20355	Transformer, 115V to 24V
11	54725	Control, Ignition Nat or LP
12	30662	Switch, Momentary Light
13	36376	Switch, Gas On/Off

# DIGITAL TIME & TEMPERATURE CONTROL

## 5 KEY DIGITAL - FOR OVENS BUILT BEFORE 10/22/2003

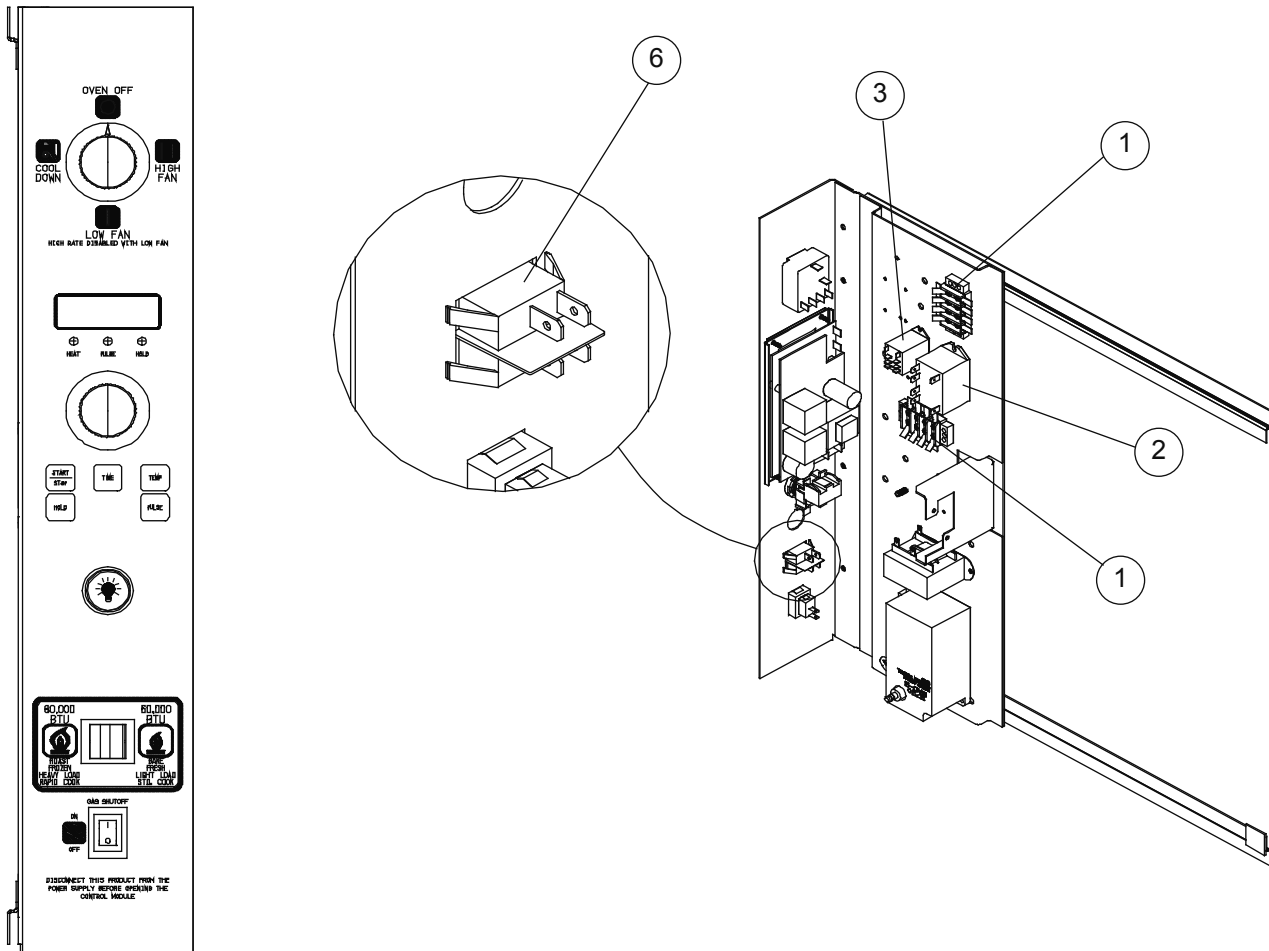


Ref. No.	Part No.	Description
1	30658	Controller, Temperature, Solid State Digital
2	36506	Probe, Temperature, Solid State
3	21068	Mode Selector Switch, 4 pos
4	36616	Knob, Replacement, Mode
5	36617	Knob, Replacement, Adjust temperature
7	36376	Gas Switch, On/Off
8	20355	Transformer 115V to 24V
9	54725	Spark Box Nat & LP
10	36603	Relay, 120V

Ref. No.	Part No.	Description
11	30662	Momentary Light Switch Kit
12	36651	Plug, for Light Switch
<b>NOTE:</b>		<b>For units without lights only, use this plug piece.</b>
13	36604	Terminal Block, for controller
	30503	Terminal Block, interconnecting, at rear of unit
	22301	Axial Fan, Low Velocity, 115V, 60 HZ (Qty 2)
	36580	Harness, Rear Connecting

# DIGITAL TIME & TEMPERATURE CONTROL

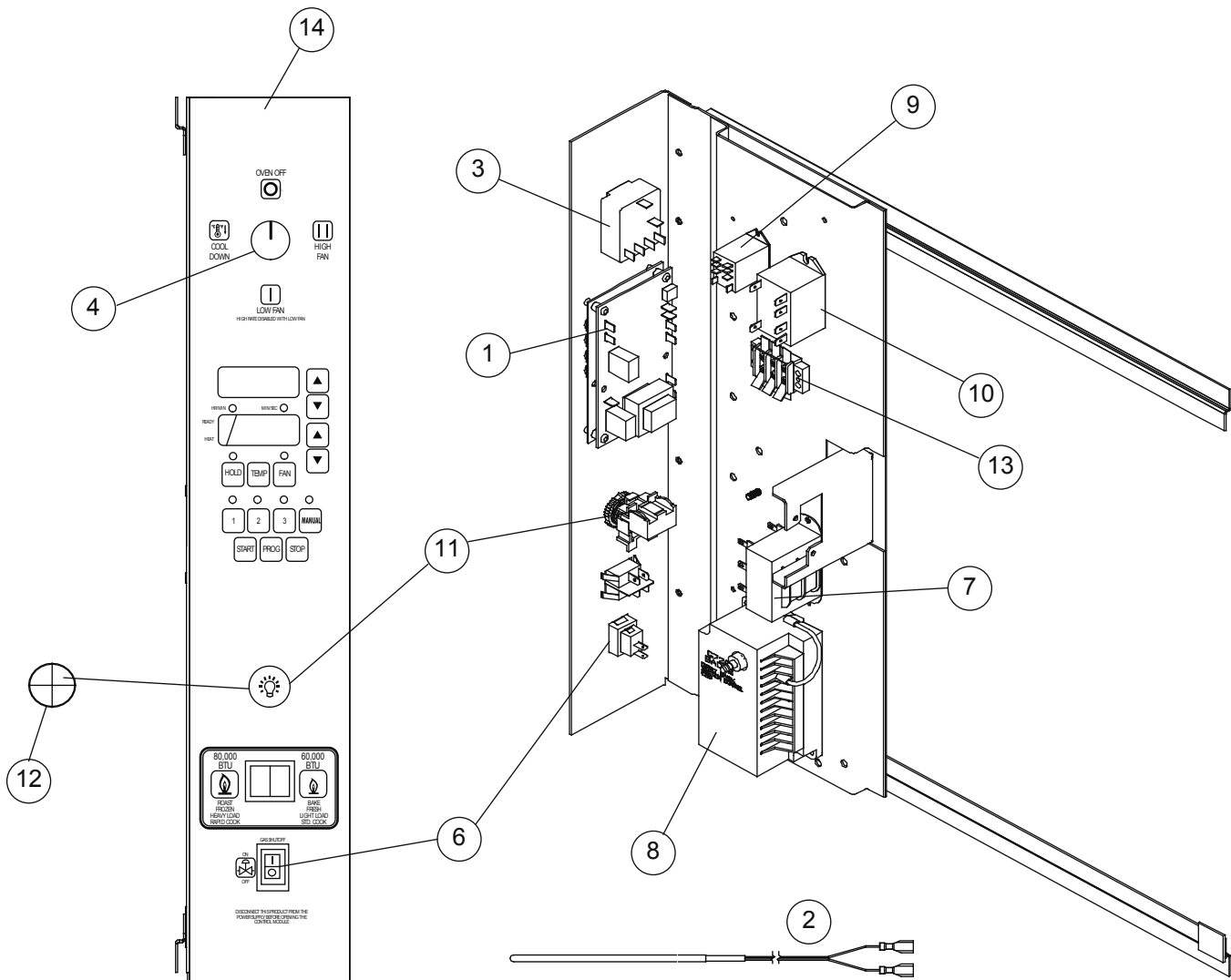
24 VOLT FOR OVENS BUILT AFTER 10/22/2003



<u>Ref. No.</u>	<u>Part No.</u>	<u>Description</u>
1	37317	Timer, 60 Min 24V
2	37489	Buzzer, 24V
3	37090	Harness, Module Inf
4	37058	High Fan Relay, 24 V
5	52781	Low Fan Relay, DPST 24V
	37334	Harness, Infinte Add-In
6	R8740	Rate Switch
	37306	Module Assy, Solid State Digital
	36506	Temperature Probe
	37983	Panel & Decal

# CH PRO 3 CONTROL

14 KEYS - FOR OVENS BUILT BEFORE 10/22/2003

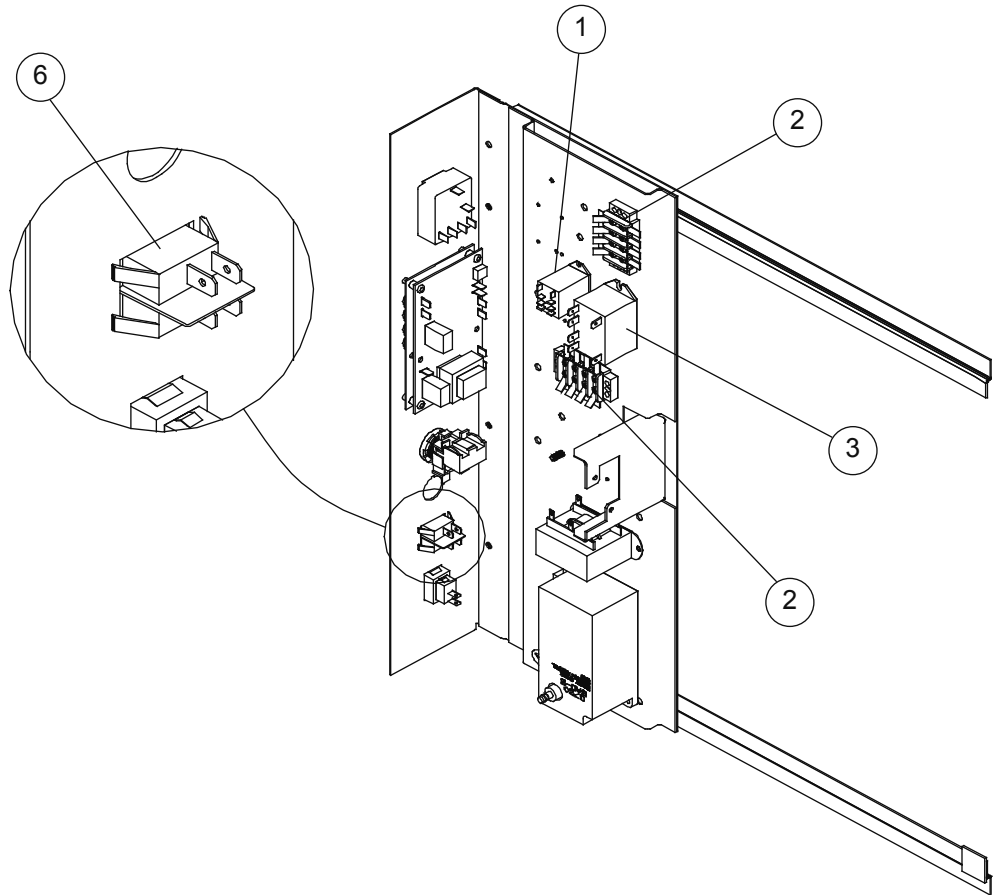
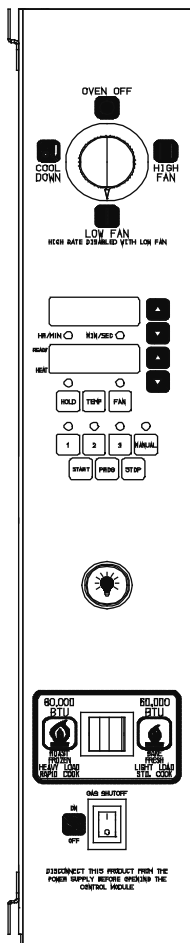


Ref. No.	Part No.	Description	Ref. No.	Part No.	Description
1	37087	Controller, CH Pro 3	11	30662	Momentary Light Switch Kit
2	36720	Probe, Temperature, CH Pro 3	12	36651	Plug, for Light Switch
3	21068	Mode Selector Switch, 4 pos			<b>NOTE: For units without lights only, use this plug piece.</b>
4	36616	Knob, Replacement			
6	36376	Gas Switch, On/Off	13	36604	Terminal Block, for controller
7	20355	Transformer 115V to 24V		30503	Terminal Block, interconnecting, at rear of unit
8	54725	Spark Box Nat & LP	14	52879	Control Panel & Decal Assy
9	36603	Relay, 120V, Hi Speed		22301	Axial Fan, Low Velocity, 115V, 60 HZ (Qty 2)
10	R3983	Relay, 120V, Low Speed			



# CH PRO 3 CONTROL

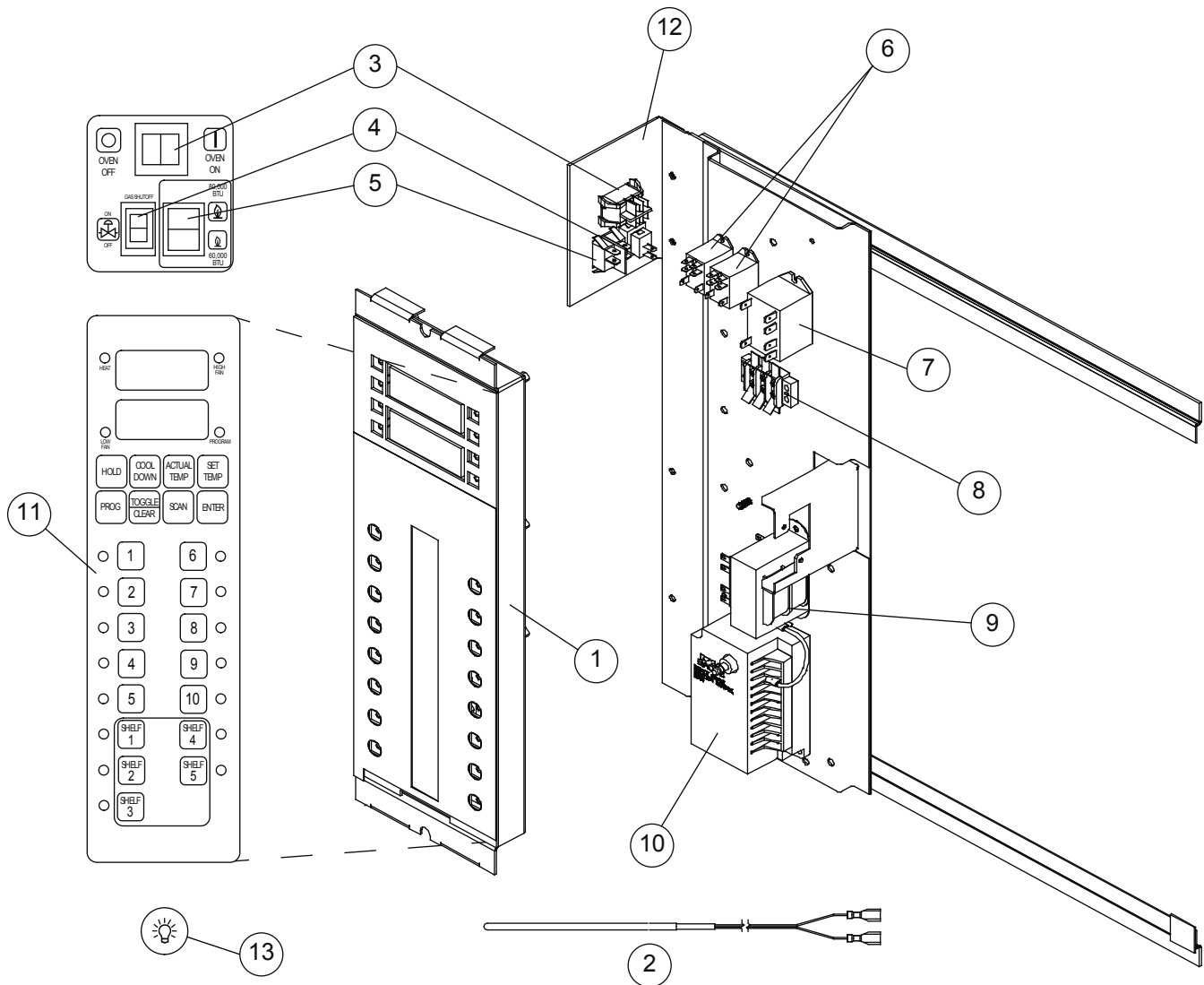
24 VOLT FOR OVENS BUILT AFTER 10/22/2003



Ref. No.	Part No.	Description
1	52781	Low Fan Relay, DPST 24VAC
2	37090	Harness, Control
3	37058	High Fan Relay, 24VAC
6	R8740	Rate Switch

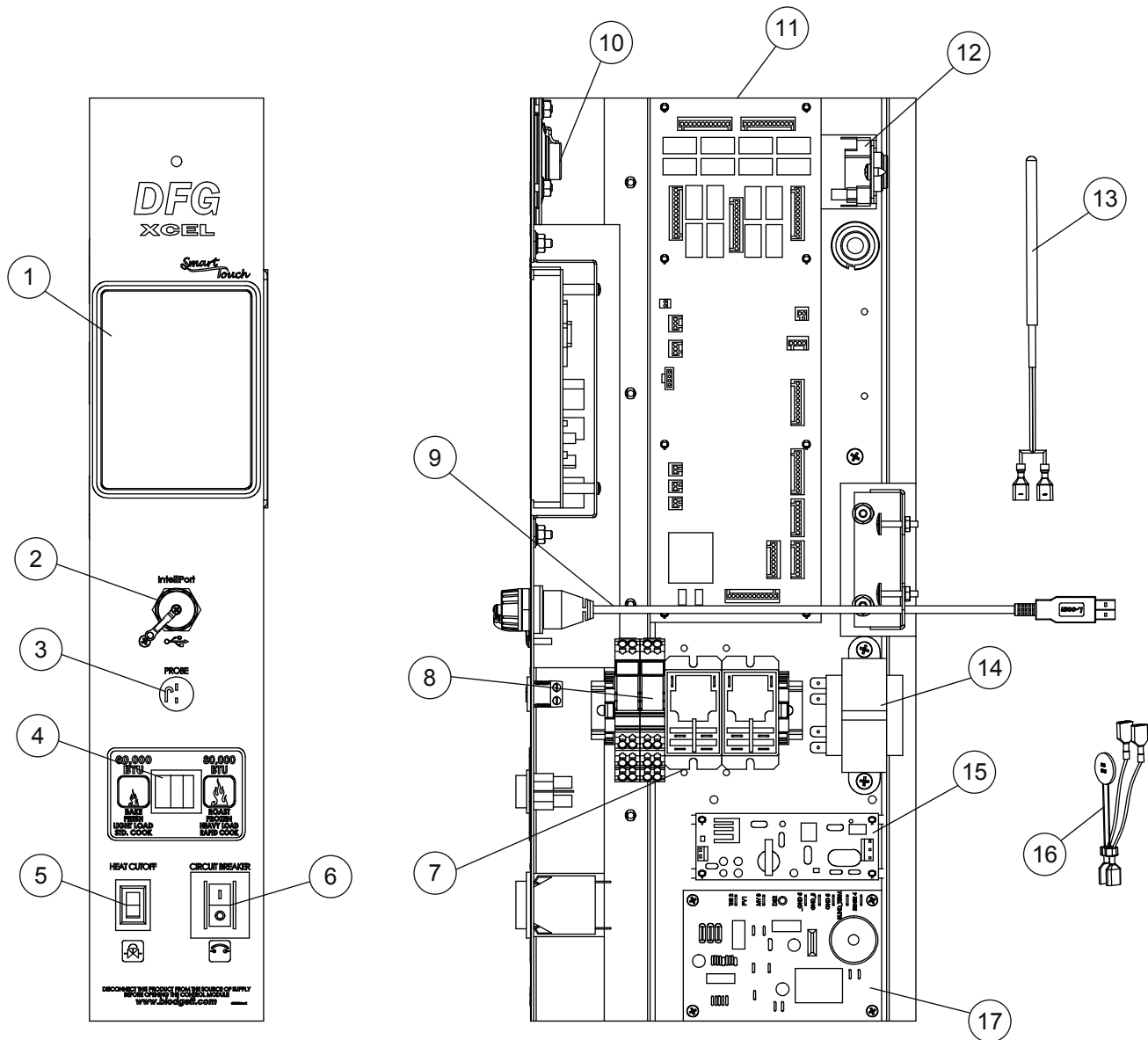
# IQ2 CONTROL

## 21 KEYS



Ref. No.	Part No.	Description
1	37035	Controller, IQ2
2	36720	Probe, IQ2
3	19619	Rocker Switch, DPST, Black
4	36376	Gas Switch, On/Off
5	R8740	Rate Switch
6	56738	Relay, 24V Qty 2 per oven
7	36628	Relay, 24V, Qty 1 per oven
8	36604	Terminal Block, 3 pole
9	36700	Transformer, 120/240V to 24V Step Down
10	54725	Spark Box, Nat & LP
11	36403	Decal, IQ2, Before 7/20/2007
	50829	Decal, IQ2, After 7/20/2007
	22301	Axial Fan, Low Velocity, 115V, 60 HZ (Qty 2)
12	36680	Module Assy, IQ2 Controller (Less Controller)
13	30662	Light Switch

# SMARTOUCH CONTROL

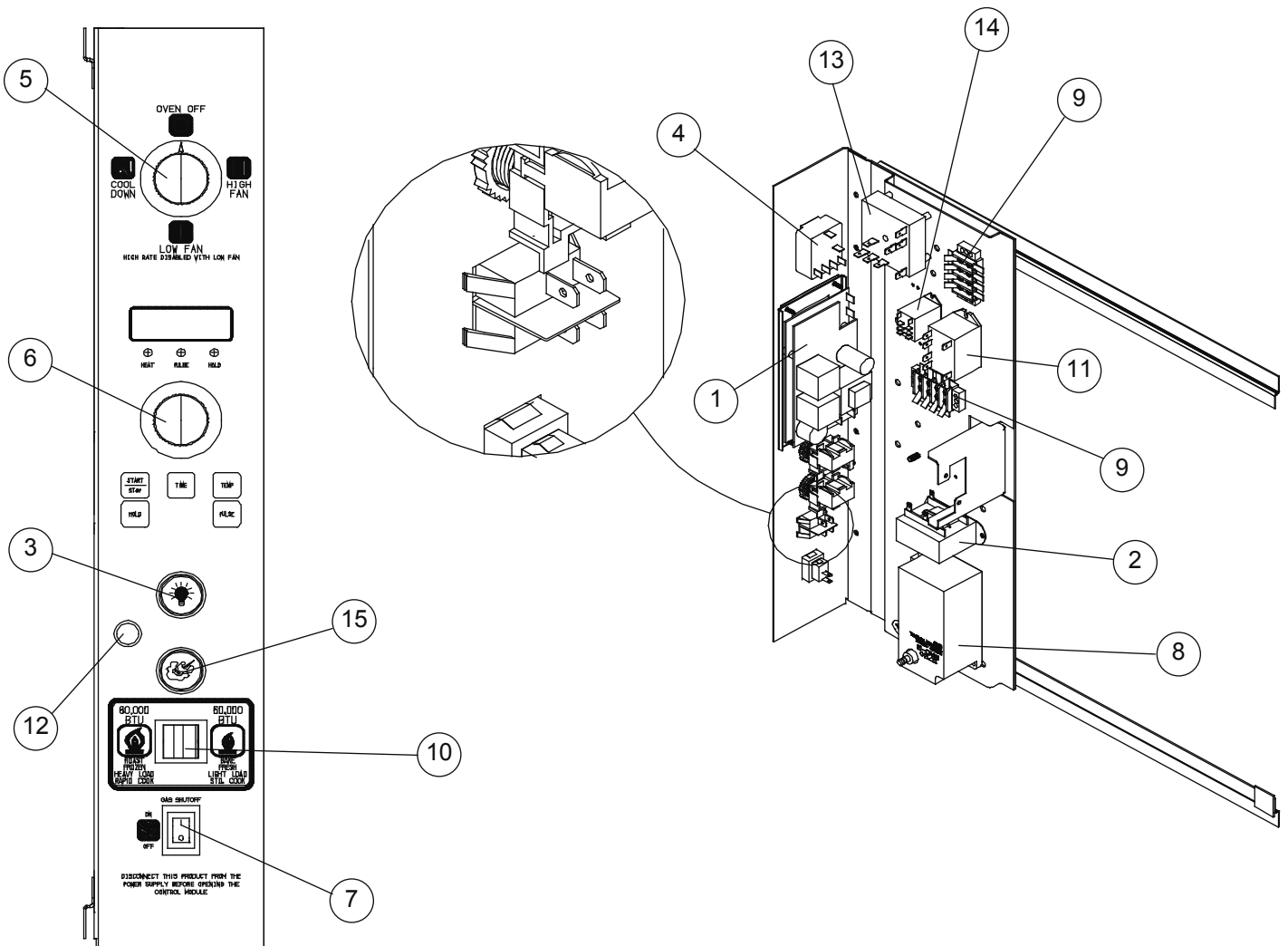


Ref. No.	Part No.	Description
1	55950	Control, Programmed, Before 11/8/13
	57738	Control, Programmed, After 11/8/13
2	52161	USB Cover
3	39781	Meat Probe Jack
	39782	Meat Probe Jack Plug
	56545	Meat Probe, 4", Dual Sensor
	56546	Meat Probe, 6", Dual Sensor
4	R8740	Rate Switch
5	36376	Switch, Gas Shut-off
6	39688	Circuit Breaker 20A
7	55599	Relay, DPST, 24VDC
8	38604	Relay, DPDT, 24VDC
	39343	Jumper

Ref. No.	Part No.	Description
9	52647	USB Cable
10	53219	Speaker
11	53206	I/O Board, Before 11/8/13
	57727	I/O Board, After 11/8/13
12	36755	Thermal Switch
13	36720	Probe, RTD, 1K
14	36700	Transformer, 120/240 to 24V
15	54604	DC Power Supply, 24V, 15W
16	52777	Varistor Assembly, 115V
17	54725	Ignition Control
	54330	Communication Cable

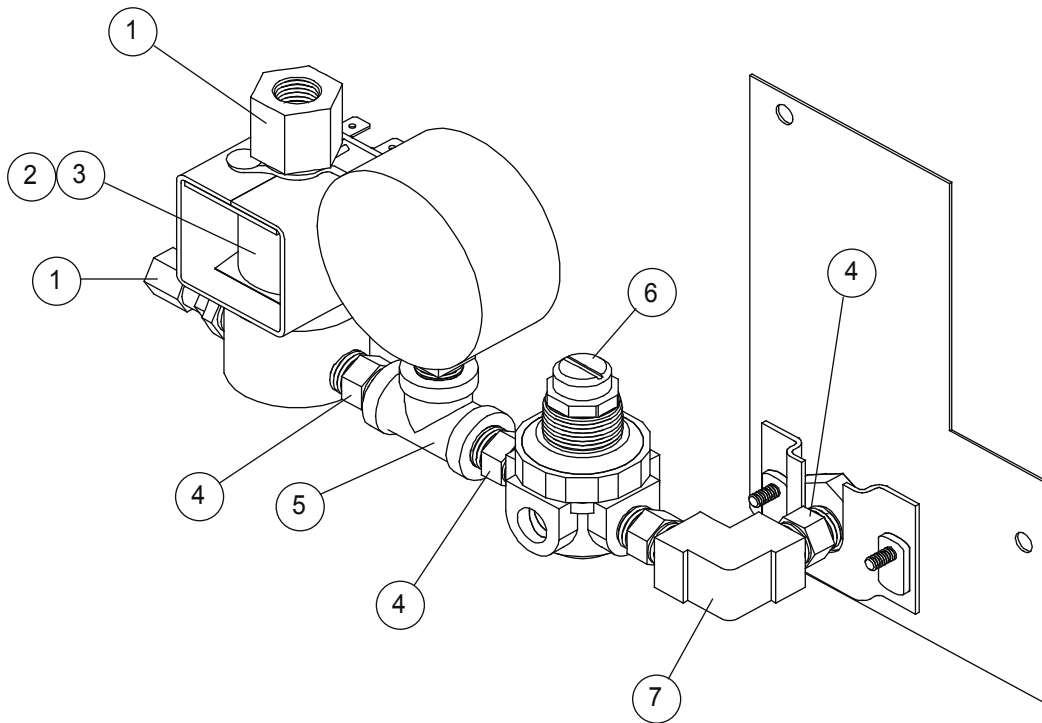
# HUMIDAIRE

## 5 KEYS



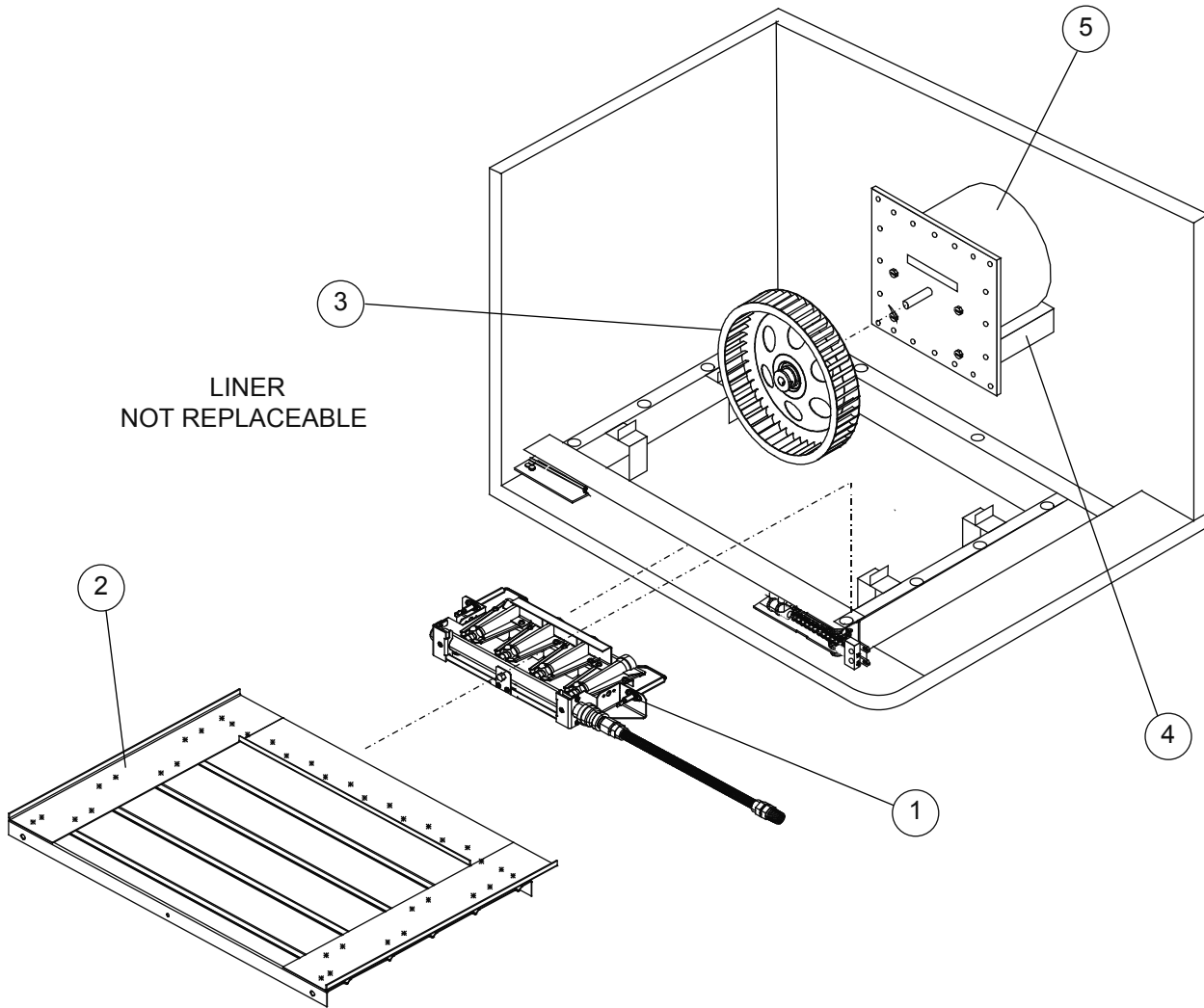
Ref. No.	Part No.	Description
1	30658	Controller, temperature
2	20355	Transformer, 115V to 24V
3	30662	Momentary Light Switch Kit
4	21068	Switch, Rotary 4 Position
5	36616	Knob, Mode
6	36617	Knob, Adjust
7	36376	Switch, Gas On/Off
8	54725	Control, Ignition
9	37090	Harness, Digital
10	R8740	Switch, Rate
11	37058	High Fan Relay, 24 VAC
12	19014	Light, Indicator 28 VAC Amber
13	36853	Harness, Humidaire
13	36854	Timer, Preset Humidaire
14	52781	Relay, DPST 24V
15	30662	Pushbutton, Humidaire
	37098	Harness, Rear Humidaire
	37769	Harness, Jumper Probe

# HUMIDAIRE COMPONENTS



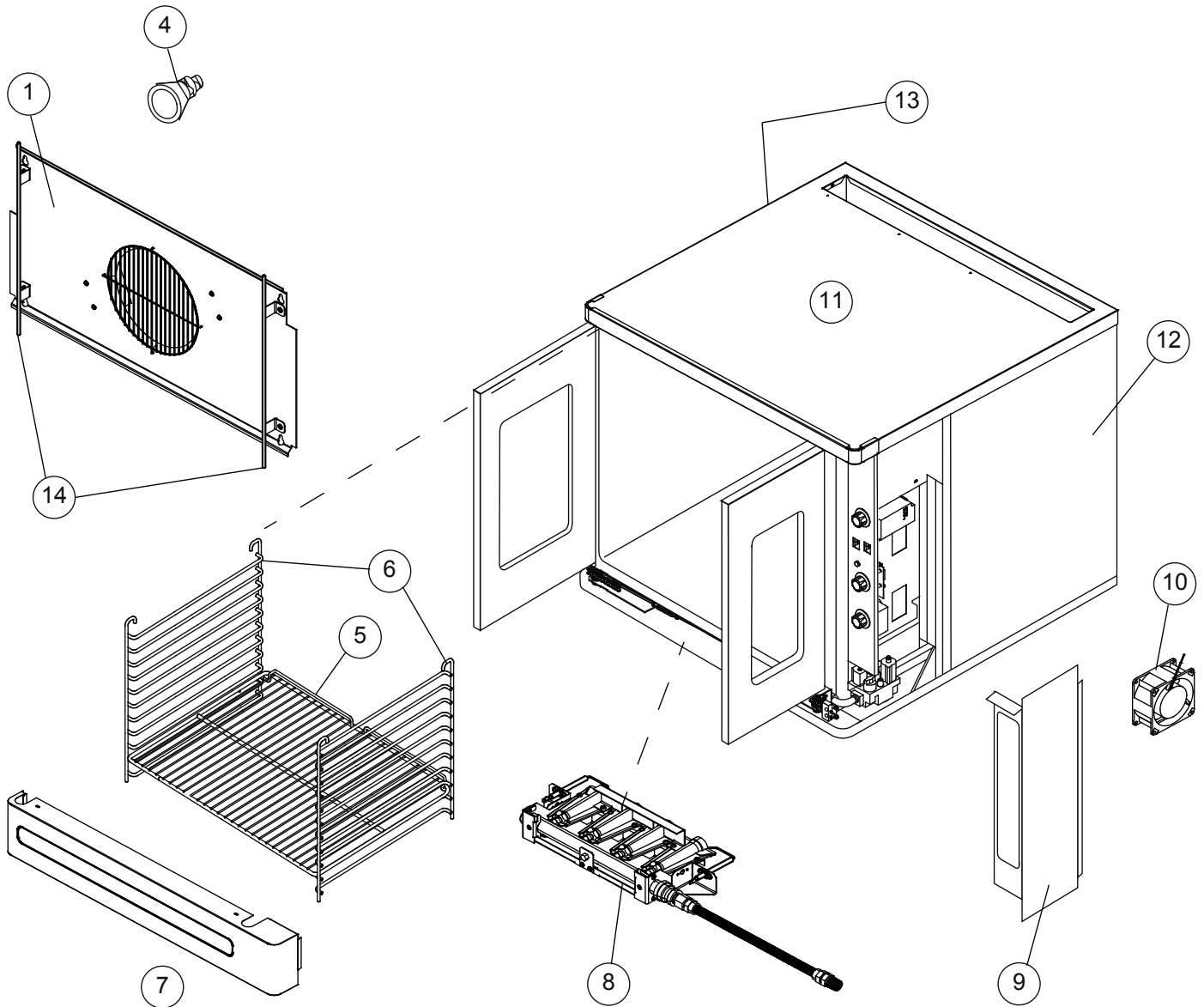
<b>Ref. No.</b>	<b>Part No.</b>	<b>Description</b>
	36911	Regulator and Solenoid Assy 24VAC (includes everything pictured above)
1	M0959	Fitting, Compression 1/4 x 1/8
2	R10837	Valve, Solenoid
3	R10838	Coil, Solenoid 24VAC
4	18312	Nipple, Brass Hex 1/4 x 1.38
5	18410	Tee, Brass 11/16 x 1-9/16
6	36910	Regulator, Pressure
7	18309	Elbow, Brass 1/4 Pipe 90 DEG
	18314	Thermal Switch, SPNO
	32875	Tape, Gore-tex gasket, 3/4" (by the foot)
	37215	Dam, Liner Bottom
	18339	Cap, End
	19086	Grommet, Rubber 5/8
	19087	Grommet, Nylon Split
	33488	Tube, Flex 1/4 x 12"
	36909	Fitting, Compression
	36913	Tube, Water Inject
	4817	Clip, Thermostat Bulb

# EXPLODED INTERIOR VIEW



<b>Ref. No.</b>	<b>Part No.</b>	<b>Description</b>
1	55829	Burner Assy, In Shot NAT
1	56020	Burner Assy, In Shot LP
2	36420	Heat Deflector Assy
3	33171	Blower Wheel, Natural Gas (Before 6/10/2007 and after 7/6/2009)
3	15853	Blower Wheel, Natural Gas (After 6/10/2007 and before 7/6/2009)
3	15853	Blower Wheel, Propane
	33147	Wheel Puller
4	37453	Motor Mount & Panel Assy. (After 4/1/2004 and Before 6/11/2007)
5	37022	Motor, 115V, 1PH, 3/4 HP, 2 SP (After 4/1/2004)
	57867	Motor, 115V, 1PH, 2 SP (Before 4/1/2004)
	50681	Motor Mount Assy., (After 6/10/2007)

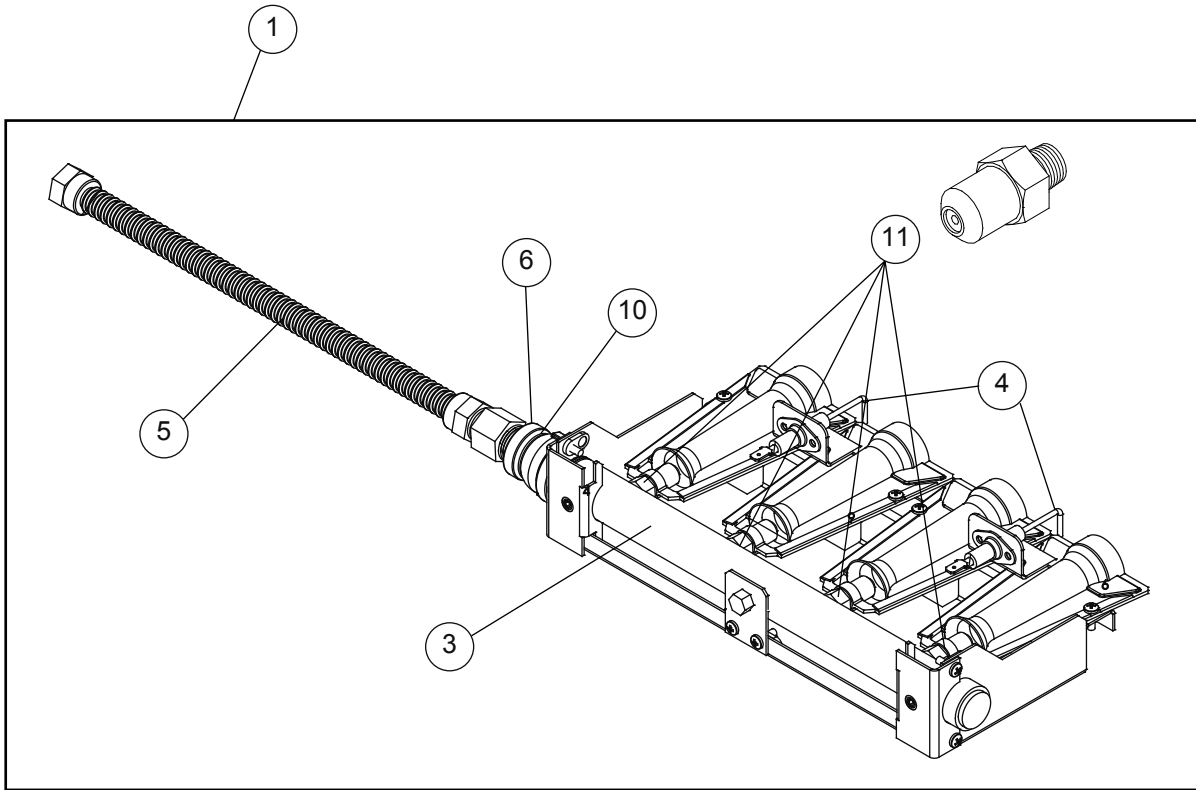
# INTERIOR COMPONENTS & EXTERIOR VIEW



<u>Ref. No.</u>	<u>Part No.</u>	<u>Description</u>
1	36437	Interior Baffle, Porcelain, Blower Wheel Cover (Before 6/10/2007)
	51673	Baffle Assembly (After 6/10/2007 and before 7/6/2009)
	37006	Baffle Assembly (After 7/6/2009)
4	4342	Lamp, Qty 2 per oven
	4922	Socket, for Lamp Qty 2 per oven
5	36435	Housing, for Socket & Lamp
	18768	Racks, Each, Qty 5 per oven
	38855	EZ Slide Rack
	D0128	Bulb, Halogen, Qty 4 per oven, type G4 .16" between pins (Before 6/1/13)
	57075	Bulb, Halogen, qty 4 per oven, type G5.3 .21" between pins (Before 6/1/13)
	57075	Bulb, Halogen (After 6/1/13)
	D0125	Bezel, Halogen Light
	D0127	Gasket, Halogen Light

<u>Ref. No.</u>	<u>Part No.</u>	<u>Description</u>
	50192	Lens, Halogen Light
	52946	24VDC, Power Supply
	M3166	Fuse, power Supply
6	36900	Rack Support Kit, Set of 2
14	36620	Stops, Rack Each Qty 2 per oven
7	17361	Combustion Compartment Cover w/louvers and security package
	36431	Combustion Compartment Cover w/o louvers and security package
	38659	Crumb Pan Set (LR & RH)
8	55829	Burner Assy, In Shot NAT
8	56020	Burner Assy, In Shot LP
9	36512	Cover, Access Panel
10	22301	Axial Fan, Qty 1
11	36621	Bodytop, with opening for flue box
12	36407	Bodyside, RH
13	37205	Bodyside, LH
	54422	Side Heat Shield, Right or Left

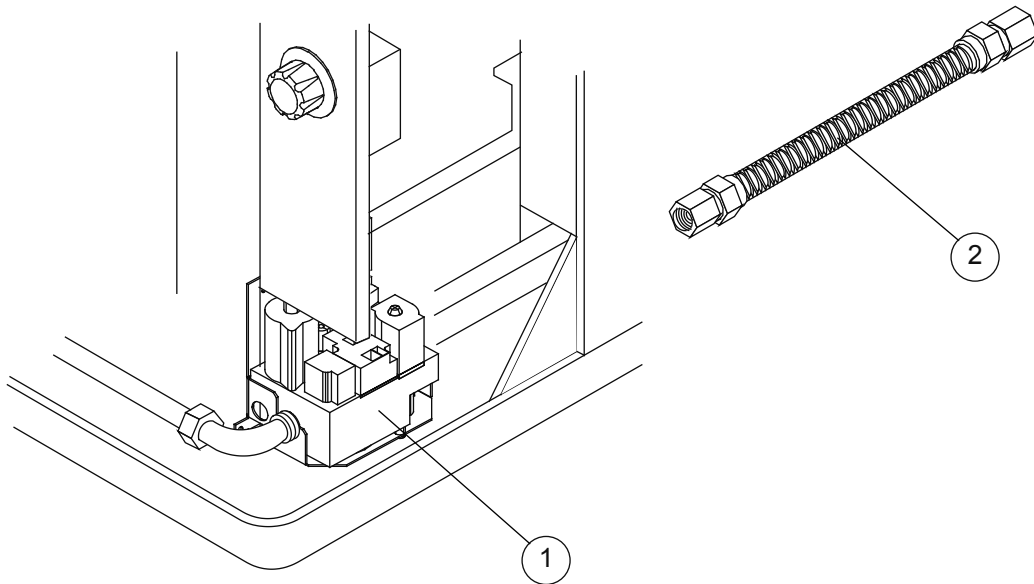
# BURNER & PIPING, EXPLODED



<b>Ref. No.</b>	<b>Part No.</b>	<b>Description</b>
1	55829	Burner Assy, In Shot NAT
1	56020	Burner Assy, In Shot LP
3	55811	Manifold Assy, After 4-3-13
4	38453	Ignitor Upgrade Kit Consists of Flame Sensor Probe and Ignitor Rod
4	39987	Flame Sensor Probe
4	38521	Ignitor, Spark Rod
	19677	Flame Sensor Wire
5	33249	Flex Hose, for Manifold
6	1949	Nipple, Close 1/2 NPT, Before 4-3-13
10	16118	Reducer, 3/4 to 1/2", Before 4-3-13
	50253	Elbow, 1/2" Flare x 1/2" NPT, After 4-3-13
11	36415	Orifice, Main Burner Qty 4 per oven, Specify gas type & model) BLANK
	36544	Orifice, Main Burner Pre-Drilled NAT
	36545	Orifice, Main Burner Pre-Drilled LP
	55648	Ignitor Wire

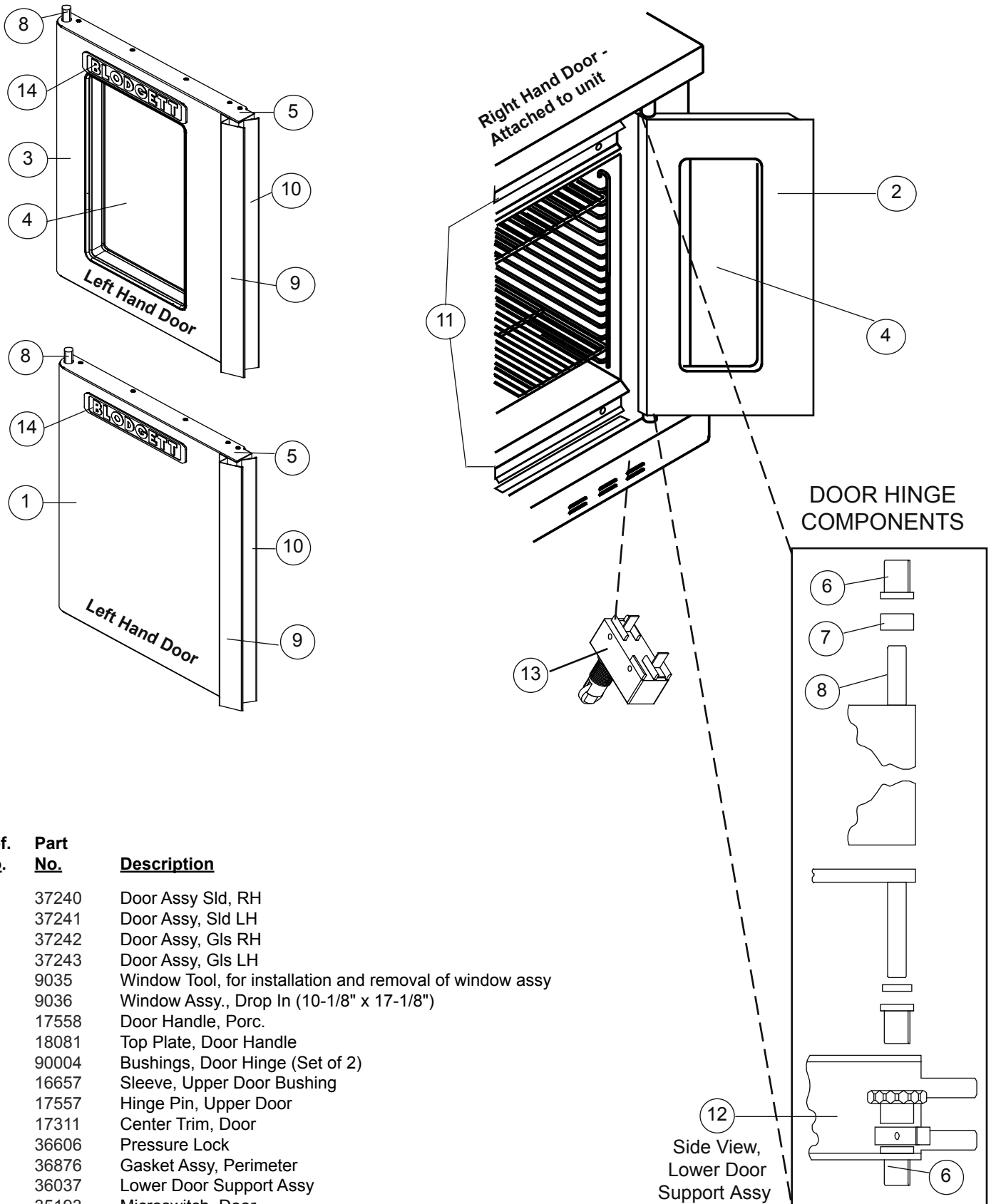


# GAS VALVE ASSY



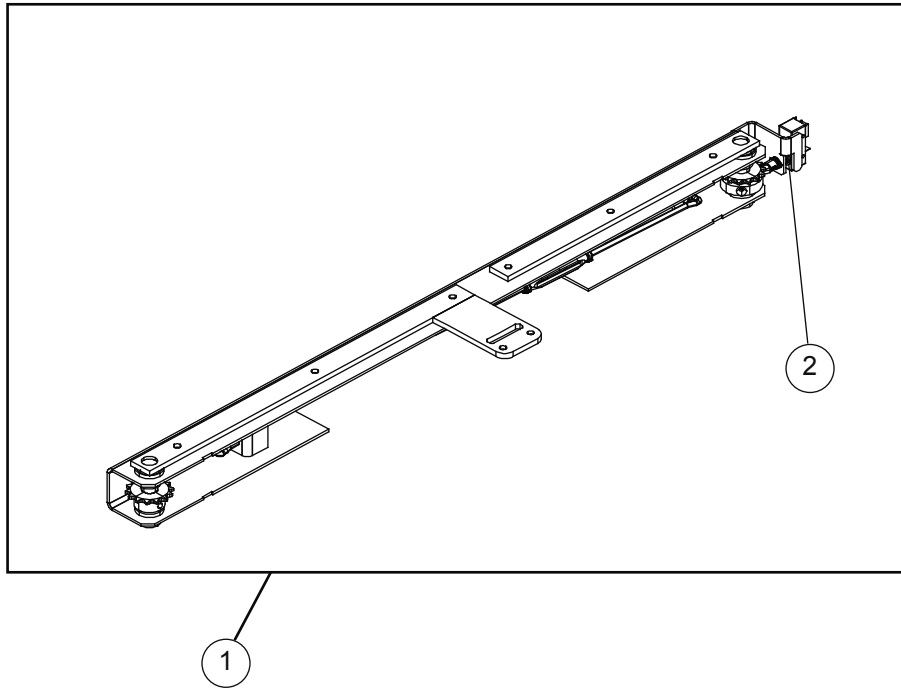
<b>Ref. No.</b>	<b>Part No.</b>	<b>Description</b>
1	36608	Dual Gas Valve Assy, Nat.
2	36229	Flex Tubing, with fittings acts as thru pipe
1	38722	Dual Gas Valve, LP
	38677	Conversion kit, Nat. to LP
	38678	Conversion Kit, LP to Nat.

# DOOR COMPONENTS



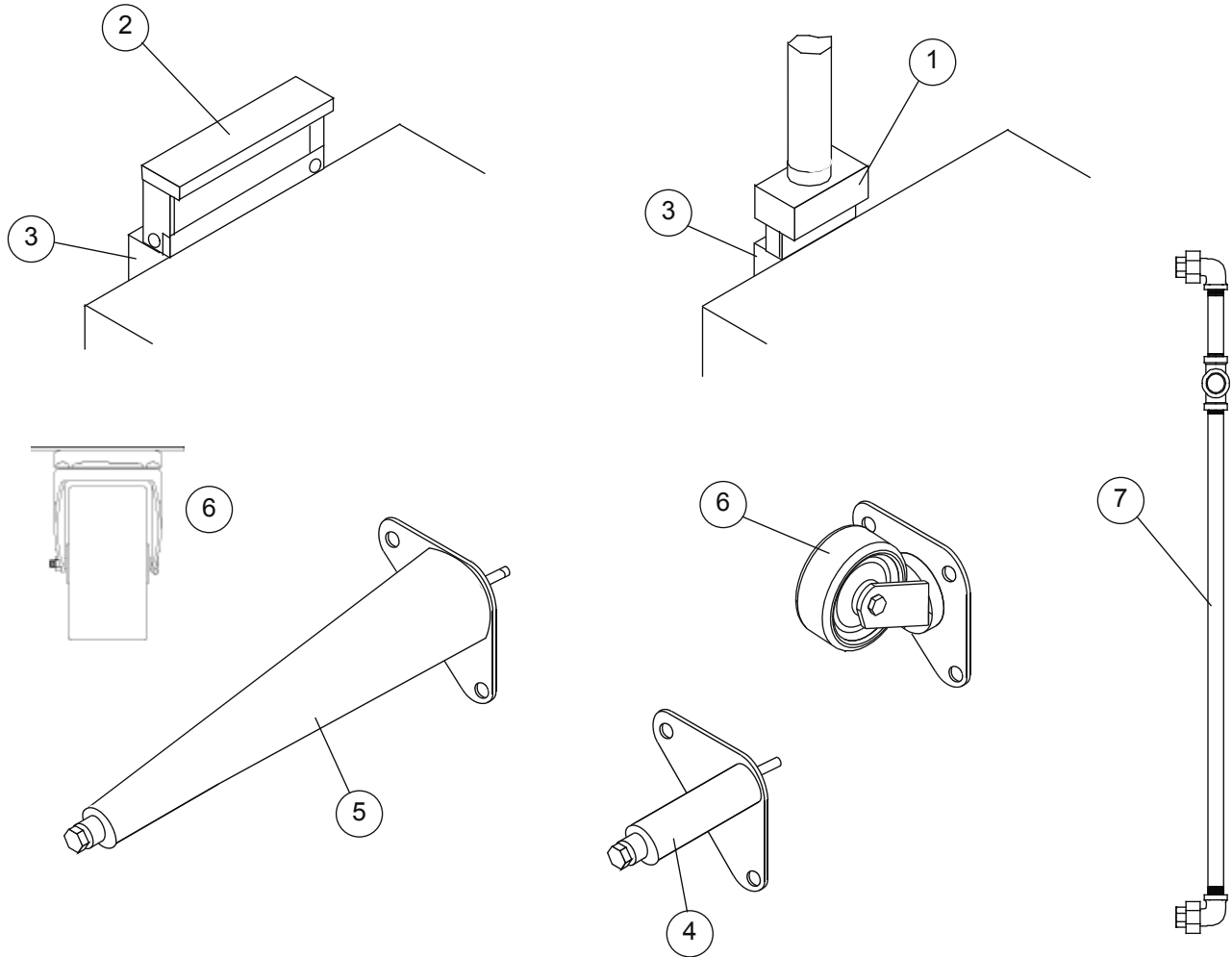
Ref. No.	Part No.	Description
	37240	Door Assy Sld, RH
1	37241	Door Assy, Sld LH
2	37242	Door Assy, Gls RH
3	37243	Door Assy, Gls LH
	9035	Window Tool, for installation and removal of window assy
4	9036	Window Assy., Drop In (10-1/8" x 17-1/8")
	17558	Door Handle, Porc.
5	18081	Top Plate, Door Handle
6	90004	Bushings, Door Hinge (Set of 2)
7	16657	Sleeve, Upper Door Bushing
8	17557	Hinge Pin, Upper Door
9	17311	Center Trim, Door
10	36606	Pressure Lock
11	36876	Gasket Assy, Perimeter
12	36037	Lower Door Support Assy
13	35193	Microswitch, Door
14	16470	Nameplate

# LOWER DOOR SUPPORT COMPONENTS



<b>Ref. No.</b>	<b>Part No.</b>	<b>Description</b>
1	36037	Lower Door Support Assy
	<b>NOTE:</b>	<b>Lower Door Support Assy includes the hinge pins, arms, chain &amp; turnbuckles, sprocket assys, cam assy, and microswitch.</b>
2	35193	Microswitch, Door
	<b>NOTE:</b>	<b>If you need to replace the sprockets, chain &amp; turnbuckle, or the hinge pin we strongly suggest ordering the entire lower door support. It will include all of these components and will greatly reduce your labor costs and time invested.</b>

# ACCESSORIES



<b>Ref. No.</b>	<b>Part No.</b>	<b>Description</b>
1	7839	Draft Hood Assy., Direct Vent, S/S (6" dia.) DFG100 Xcel Sgl
2	7840	Draft Diverter, Canopy Vent, S/S DFG100 Xcel Sgl
	21108	Draft Hood Assy., Direct Vent, S/S (8" dia.) DFG100 Xcel Dbl
	20447	Draft Diverter, Canopy Vent, S/S DFG100 Xcel Dbl
3	36687	Flue Connector Assy, 3 Piece DFG100 Xcel Dbl
3	36686	Flue Box Single Oven DFG100 Xcel
	31803	Clips, Stacking Double Oven
7	35048	Backpipe Assy, Dbl
	21826	Installation Hose 36"
	21242	Installation Hose 48"

<b>Ref. No.</b>	<b>Part No.</b>	<b>Description</b>
	37162	Bodyback, ALCT
	36698	Backsheet
4	8600	Legs, 6" w/ Bolts, S/S Set of 4
5	8598	Legs, 25" w/ Bolts, S/S Set of 4
	33196	Seismic Legs, 6", S/S Set of 4
	92000	Studs, Leg Set of 4
	7847	Bolts, Leg Set of 8
6	5779	Casters w/ Plate Set of 4 Dbl Oven
	16002	Casters Set of 4 Sgl Oven Only
	19528	Casters, Low Profile Set of 4 Dbl Oven
	31013	Casters, Heavy Duty Low Profile Set of 4 (Jarvis & Jarvis) Dbl Oven
*	6486	Open Stand w/ Feet, S/S DFG100
*	11416	Open Stand w/ Casters, S/S DFG100