



**DFG-50  
GAS CONVECTION OVEN  
REPLACEMENT PARTS LIST**



**EFFECTIVE AUGUST 31, 2018**

Superseding All Previous Parts Lists.

The Company reserves the right to make substitution in the event that items specified are not available.

ERRORS: Descriptive and/or typographic errors are subject to correction.

---

**BLODGETT OVEN COMPANY**

42 Allen Martin Drive, Essex Junction, Vermont 05452 USA Telephone: (802) 658-6600 Fax: (802) 860-3732  
[www.blodgett.com](http://www.blodgett.com)

P/N 54769 Rev Q

**IMPORTANT: When ordering parts, please provide the model, gas type and serial number of the oven. The identification plate is located on the left side of the combustion compartment and, also, above the control panel under the ledge.**

◆ **Doors Are Not Returnable**

## ELECTRICAL COMPONENTS

Ref. No.	Part No.	Description
1	20349	Buzzer, for 115V Timer
4	18868	Mode Selector Switch w/o Knob
5	16686	Knob, Mode Selector Switch
	30841	Cool Down Switch, Rocker DPDT Red Replacement Kit (For 1 & 3 Set Point only)
2	18265	Indicator Light, 28V, Red, Round
3	20355	Transformer, 115V to 24V
6	57859	Motor, 208-240V, 1/2 HP, 1 SP
	59123	Motor, 115V, 1/2 HP
19	16994	Blower Wheel Assy., (10-3/4" Diameter)
	33147	Wheel Puller
	90034	Lug, Grounding
	5091	Cord Set Assy. (6 Feet)
8	20734	Microswitch Assy., Door
	21605	Bracket, Door Microswitch
7	20693	Axial Fan, Low Velocity, 3" (Before 8/90)
7	22301	Axial Fan, 120V, 4-1/2" (After 8/90)

## SOLID STATE MANUAL CONTROLS

STANDARD ON OVENS MANUFACTURED AFTER 7/87

Ref. No.	Part No.	Description
	18430	Temperature Controller, 3 Positions (Specify Model & Temperature Settings)
	21604	Temperature Controller, 1 Position (Specify Model & Temperature Settings)
	17000	Probe, Temperature (For 1 & 3 Position Controllers)
16	18578	Temperature Control Board
17	18588	Probe, Temperature
20	18234	Potentiometer, Remote (Infinite Control)
	16686	Knob, 8 Position Temperature Switch
15	18225	Timer, 60 Minute 120V
	16686	Knob, Timer
	90099	Heat Selector Switch, 3 Positions w/o Knob

Ref. No.	Part No.	Description
	16686	Knob, Heat Selector Switch
	19303	Wiring Harness, Inf/8-3-1 STPT
	19165	Control Decal, Lexan (Infinite Cook Only)

## MECHANICAL CONTROLS

FOR OVENS MANUFACTURED BEFORE 7/87

Ref. No.	Part No.	Description
	15956	Timer, 60 Minute w/o Knob (Cook Only)
	16030	Knob, Timer
	15673	Indicator Light, 125V, Red, Round (Cook)
	16536	Thermostat, Cook KX-234-36 w/o Knob (140° - 500°)
	17212	Knob, Thermostat

## HOT SURFACE IGNITION

STANDARD ON OVENS MANUFACTURED BEFORE 3/86

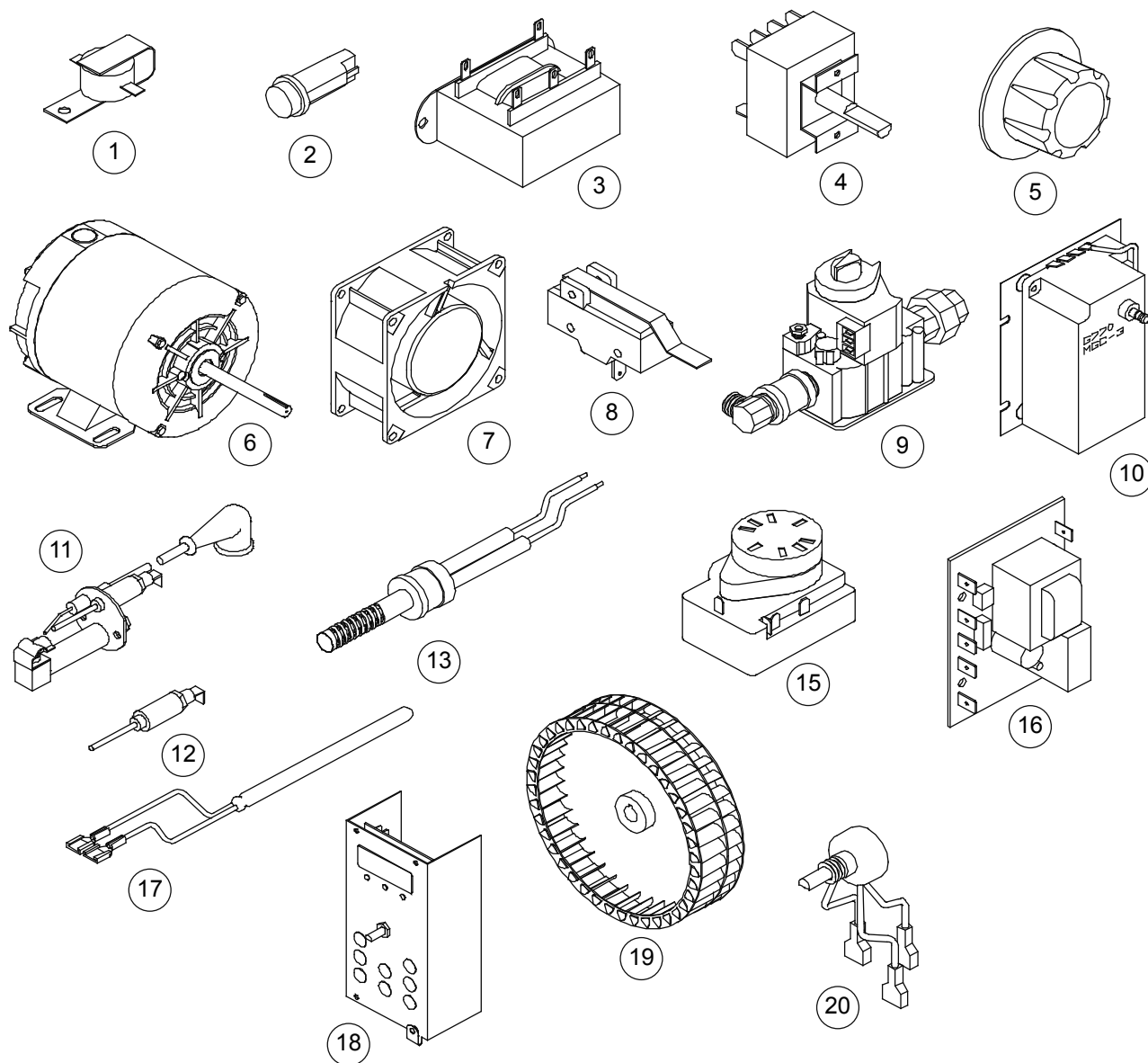
Ref. No.	Part No.	Description
	20325	Solenoid Valve/Pressure Regulator, Nat
	20275	Solenoid Valve/Pressure Regulator, LP
13	17952	Ignitor, Electric
	20661	Base & Bracket, Thermal Delay Relay
	16372	Fuse, 5 AMP
	20658	Fuse Holder, 5 AMP Fuse
	11200	Terminal Block w/ Screws

# SPARK IGNITION SYSTEM

## STANDARD ON OVENS MANUFACTURED AFTER 3/86

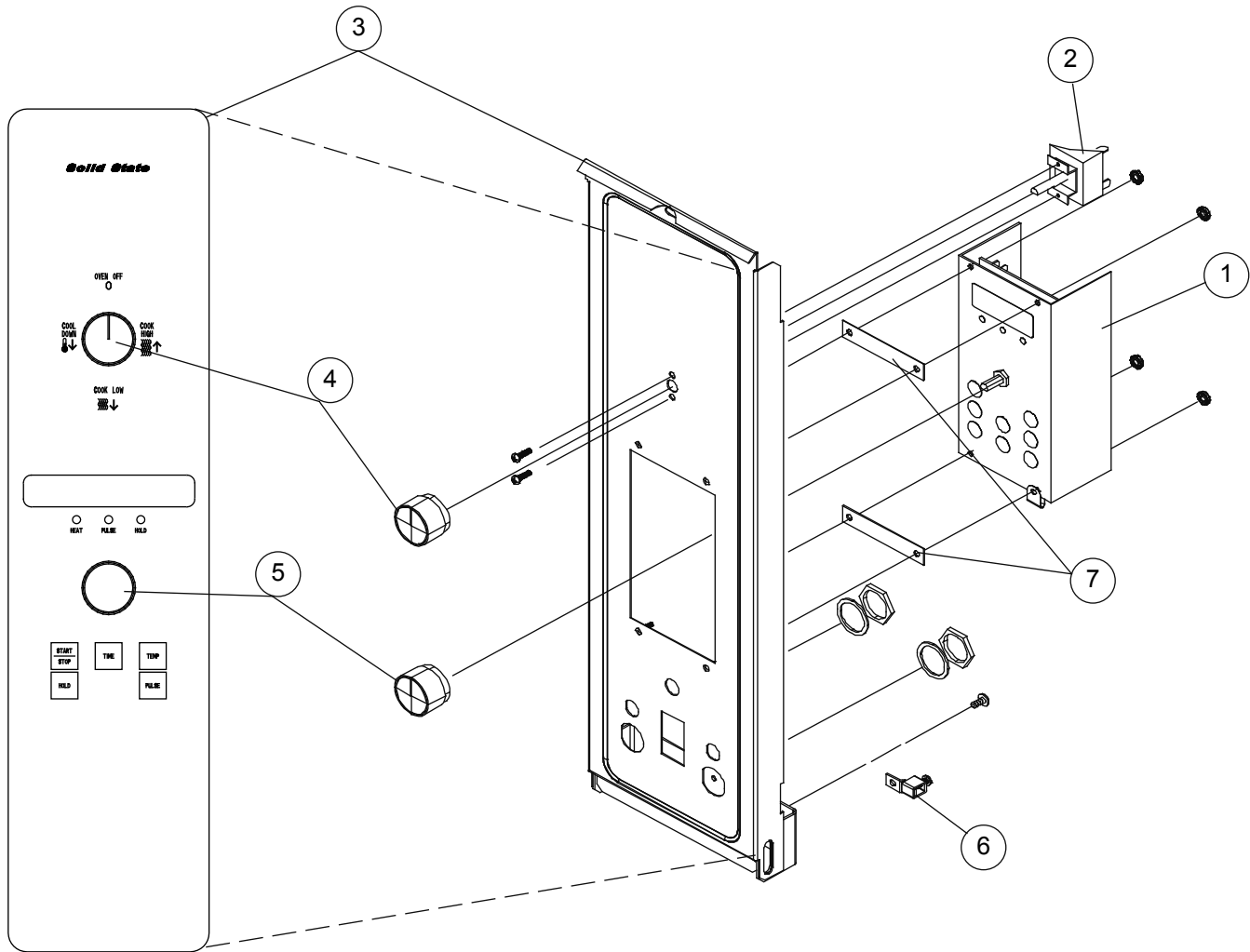
Ref. No.	Part No.	Description	Ref. No.	Part No.	Description
9	30005	Dual Solenoid/Pressure Regulator, Nat		19677	Wire, Flame Sensor
	30006	Dual Solenoid/Pressure Regulator, LP		18263	Orifice, Pilot, Nat
10	20348	Spark Box, LP & Nat		18257	Orifice, Pilot, LP
	34689	Capacitor Assy, Snubber (After 1/21/99 or S.N. 012199SA044T)		36313	Tube Assy., Pilot
11	56463	Pilot Burner, Complete, Nat		20195	Spark Gap Gauge (tool)
	56464	Pilot Burner, Complete, LP			
12	18256	Flame Sensor Only			

## MISC. COMPONENTS



# SOLID STATE DIGITAL CONTROLS

5 KEY



<b>Ref. No.</b>	<b>Part No.</b>	<b>Description</b>
1	30658	Controller, Digital Time & Temp
	18588	Probe, Temperature (pictured on page 3, #17)
2	18868	Selector Switch, 3 pos.
	30662	Momentary Light Switch
3	30663	Control Panel & Decal Assy.
4	24684	Knob, Mode Selector (for 30658)
5	24685	Knob, Adjust
	20348	Spark Box LP & Nat
	34689	Capacitor Assy., Snubber (After 1/21/99 or S.N. 012199SA044T)
6	90034	Grounding Lug
	19306	Harness, Wiring (in rear)
7	24931	Spacers, Control Qty 2

## INTELLITOUCH CONTROLS

### 17 KEY

Ref. No.	Part No.	Description
<b>NOTE: Intellitouch/hold Controllers are no longer available. Please see page 9 for IQ2 conversion kit information.</b>		
20360		Probe, Temperature Integrated
20112		RFI Filter (Used w/ Integrated Controller)
19341		Relay, SPDT, 24V
19525		Metal Oxide Varistor Assy.
19393		Control Panel & Decal Assy.
19627		Spacer, Brass (Qty 6)
18934		Spacer, Aluminum (Qty 6)

## INTELLIHOLD CONTROLS

### 12 KEY

Ref. No.	Part No.	Description
<b>NOTE: Intellitouch/hold Controllers are no longer available. Please see page 9 for IQ2 conversion kit information.</b>		
23392		Temperature Probe,
24181		Knob, Control
19620		Switch, Rocker, DPST, Black
19341		Relay, SPDT, 24V
19306		Wiring Harness, rear

## FAN DELAY WITH PULSE PLUS

Ref. No.	Part No.	Description
18290		Timer, 10 Minute, 115V
18292		Timer, 30 Minute, 120V
21051		Timer, Solid State, Pulsing, 30 Second, 120V
15709		Indicator Light, 125V, Amber, Round
15673		Indicator Light, 125V, Red, Round
18587		Relay, 3PDT, 120V w/ Bracket
19167		Control Panel & Decal, Lexan (Infinite)

## COOK & HOLD CONTROLS

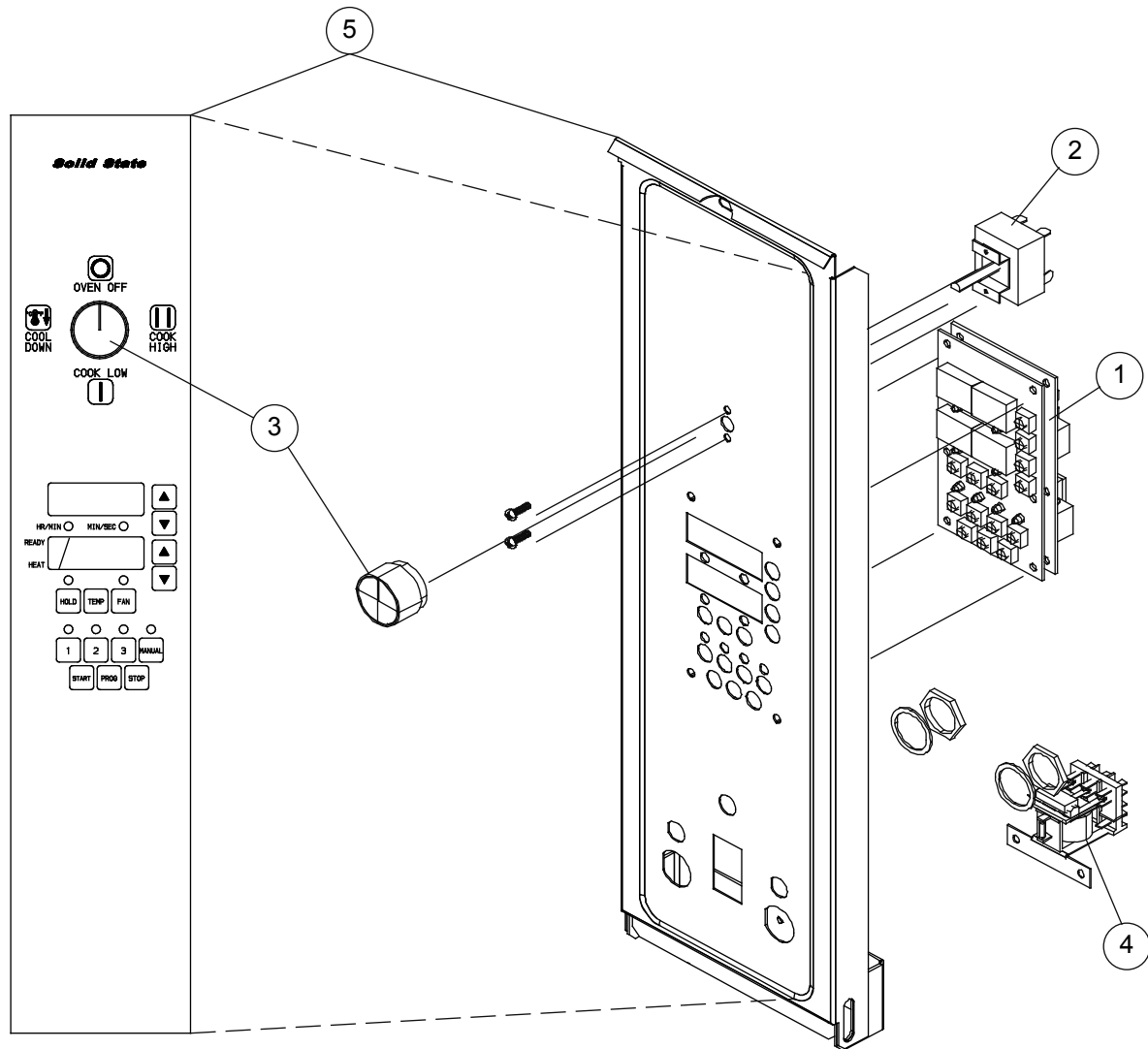
Ref. No.	Part No.	Description
17986		Timer, 12 Hour w/ Knob (Before 7/87)
17864		Timer, 12 Hour w/o Knob (After 7/87)
16686		Knob, Timer
15365		Thermostat, Hold KX-274-36 (Before 7/87)
16392		Knob, Hold Thermostat
20351		Temperature Controller, Hold (150° - 250° (After 7/87)
16686		Knob, Hold Temperature Controller
20347		Mode Selector Switch w/o Knob
16686		Knob, Mode Selector Switch
15709		Indicator Light, 125V, Amber, Round (Hold)
90043		Relay, Motor, DPDT
16998		Relay, 120V, SPST, 30 AMP (Before 7/87)
18587		Relay, 120V, 3PDT, 30 AMP (After 7/87)
21438		Base & Bracket, TDR (Before 7/87)
19163		Control Decal, Lexan (After 7/87)

## COMPUTER READY OVENS

Ref. No.	Part No.	Description
20080		Probe, Temperature (Dual 4 Wire) for 1 & 3 Position Boards
16645		Probe, Temperature (2 Wires) for 8 Set Point and Infinite Boards
17925		Cable Extension (For Sgl Oven)

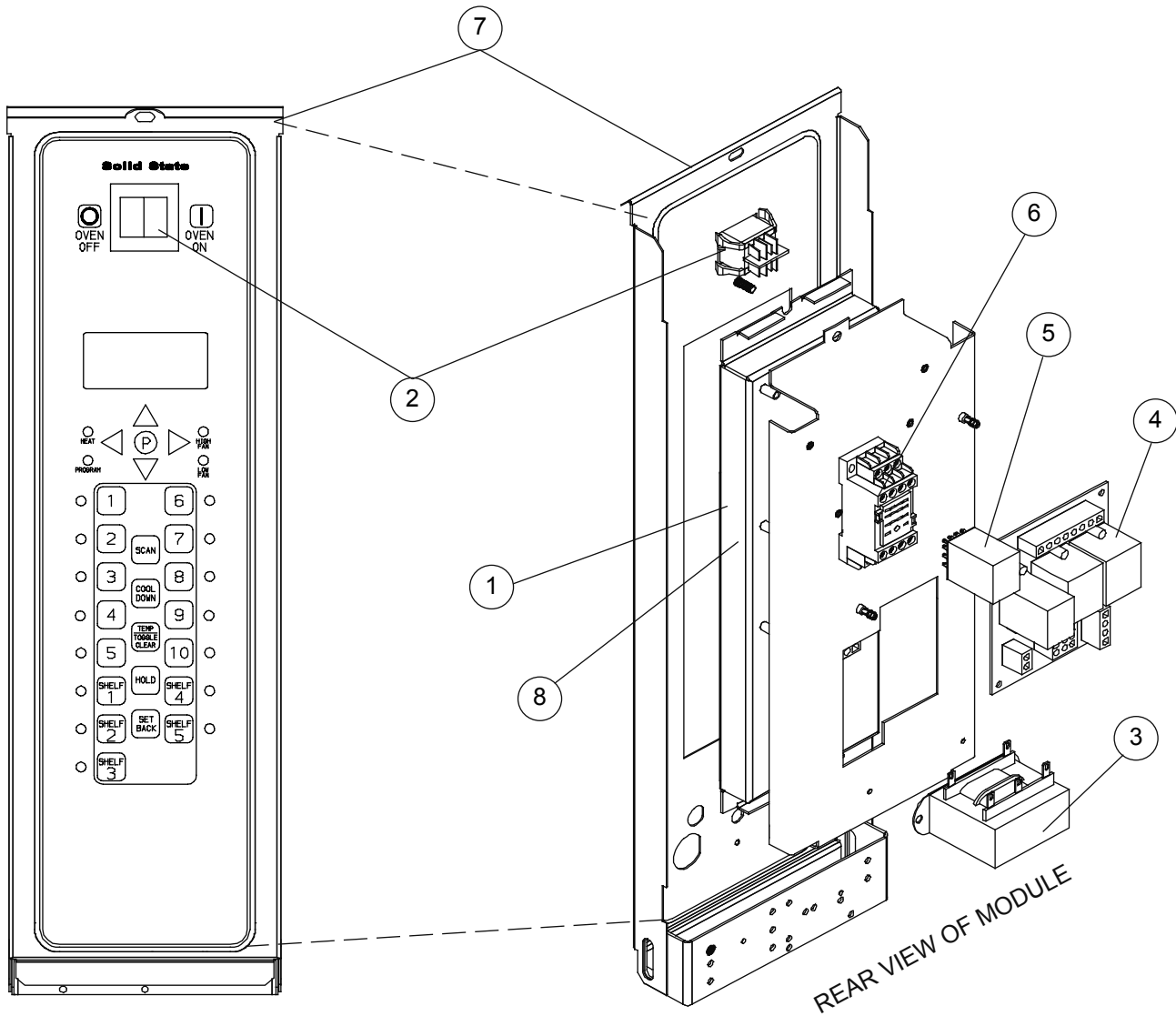
# CH102 CONTROLS

## 14 KEY



Ref. No.	Part No.	Description
1	37087	Controller, CH102 14 Key
	34473	Probe, RTD 36"
2	18868	Mode Selector Switch, 3 Position
3	24684	Knob, Adjust for Mode Selector Switch Qty 1
4	18587	Relay & Bracket, 3PDT 120V Qty 1
	16215	Relay, SPDT 240V
	16563	Relay Bracket Only
5	36061	Control Panel & Decal Assy, CH102

# IQ2 CONTROLS



Ref. No.	Part No.	Description
1	50736	Controller, IQ2 (After 07/20/2007)
	51059	Controller, IQ2 (Before 07/20/2007)
<b>NOTE: For ovens made prior to 07/20/2007 51059 includes new panel and decal</b>		
	33074	Probe, RTD
2	19619	Switch, Rocker, DPST
3	20355	Transformer
4	33073	Relay Board
5	36297	Relay, 4PDT, 3A, 120V
6	33922	Relay, Socket
	19306	Harness, Wiring (in control compartment)
	36247	Harness, Control IQ2
	33072	Harness, Control 24V
7	37708	Panel & Decal Assy (Before 07/20/2007)
	51058	Panel & Decal Assy (After 07/20/2007)

Ref. No.	Part No.	Description
	36728	IQ2 Conversion Kit (From Intellitouch & Intellihold) 1 SP 1 PH

## EXCLUSIVE TO BOB EVANS

BELOW KITS ARE PROGRAMMED EXCLUSIVLEY FOR BOB EVANS. NOT FOR GENERAL MARKET SALE!

Ref. No.	Part No.	Description
8	37000	Controller, IQ2, (After 07/20/2007)
	51060	Controller IQ2, (Beore 07/20/2007)
<b>NOTE: for ovens made prior to 07/20/2007 51060 includes new panel and decal</b>		
	37037	IQ2 Conversion Kit (From Intellitouch) 1 SP, 1 PH

## BURNER & PIPING COMPONENTS

Ref. No.	Part No.	Description
	19968	Burner Assy., (After 3/86)
	19409	Orifice, Main Burner (Specify Model & Gas Type)
	16361	Air Shutter Only
	3001	Locknut, Air Shutter
	17103	Nipple, Manifold 1/2" x 7-1/4" (Before 3/86)
	10762	Coupling, Reducer 1/2" x 3/4"
	3807	Union, 1/2" Female
	1949	Nipple, 1/2" x Close
	597	Ell, 90° Black
	17102	Ell, 45° Black
	10252	Union, Ell 1/2"
	21545	Manifold Tube Assy., (After 3/86)
	21547	Ignitor Shield (After 3/86)
	21548	Bracket, Manifold (After 3/86)
	10651	Valve, Manual Gas Shut-Off (Before 3/86)
	10809	Control Stack Nipple 1/2" x 2"
	11508	Control Stack Nipple 1/2" x 4"

## DOOR COMPONENTS (Except Bojangles)

Ref. No.	Part No.	Description
<b><u>MANUFACTURED AFTER 9/84</u></b>		
◆	18404	Door Assy, Gls, LH Hinge
◆	18405	Door Assy, Sld, LH Hinge
◆	19609	Door Assy, Gls, RH Hinge
◆	19610	Door Assy, Sld, RH Hinge

<b><u>MANUFACTURED BEFORE 9/84</u></b>		
◆	17805	Door Assy, Roller Latch Conv. Glass
◆	17806	Door Assy, Roller Latch Conv. Solid

**NOTE: Door assemblies do not include part # 17865 (Roller latch). Please order this part separately.**

	9036	Window Assy, Door (17-1/8" x 10-1/8")
	17865	Latch, Roller w/ Screws (on Oven (Manufactured after 9/84)
	17946	Catch, Door Roller Assy w/ Screws (on door (Manufactured after 9/84)
	90087	Door Catch, Spring Clip (Manufactured before 9/84)
	8589	Door Handle, 13"

Ref. No.	Part No.	Description
	17862	Perimeter Gasket, Door (Manufactured after 9/84)
	17336	Perimeter Gasket, Door (Manufactured before 9/84)
	17337	Lower Hinge Pin w/ Fasteners, Door
	8594	Upper Hinge Pin, Door
	90017	Washers, Door (Set of 2)
	90004	Bushings, Upper Door Hinge (Set of 2)
	8633	Cam Assy., Door Switch

## DOOR COMPONENTS (Bojangles)

Ref. No.	Part No.	Description
	18405	Door Assy, Solid LH Hinge (before 11-15-16)
	58787	Door Assy, Solid LH Hinge w/Handle (after 11-15-16)
	59748	Door Catch, Complete w/hardware (after 11-15-16)
	8589	Door Handle, 13" (before 11-15-16)
	R3993	Door Handle (after 11-15-16)
	8594	Upper Door Pin w/hardware
	17337	Lower Door Pin w/hardware
	17865	Latch, Roller w/screws, on oven (before 11-15-16)
	17946	Catch w/screws, on door (before 11-15-16)
	17862	Perimeter Gasket, Door (before 11-15-16)
	59272	Perimeter Gasket, Door (after 11-15-16)

## BAKING COMPARTMENT COMPONENTS

Ref. No.	Part No.	Description
	22637	Rack, w/ball stops, Each (20-7/8" x 14-5/8")
	8590	Rack Support (Set of 2) (Before 8/91)
	31311	Rack Support (Set of 2) (After 8/91)
19	16994	Blower Wheel Assy.
	17333	Thermostat Bulb Clip (Each)
	35934	Interior Baffle & Bracket Kit Blower Wheel Cover, Porc. Replaces 16990
	16987	Interior Baffle, Blower Wheel Cover) S/S
	9704	Baffle Screen



## STANDS

<u>Ref. No.</u>	<u>Part No.</u>	<u>Description</u>
	11993	Stand, 5-3/4" S/S w/legs
	37774	Stand, 5-3/4" S/S w/casters
	10857	Stand, 7" S/S
	34024	Stand, 11" Stainless w/Shelf & Adjustable Casters
	18479	Stand, 16" S/S w/ Shelf
	10856	Stand, 19" S/S w/ Shelf
	10855	Stand, 24" S/S w/ Shelf
	10854	Stand, 33" S/S w/ Shelf
	18482	Stand, 16" S/S w/ Shelf & Casters
	11437	Stand, 19" S/S w/ Shelf & Casters
	15151	Stand, 24" S/S w/ Shelf & Casters
	15153	Stand, 33" S/S w/ Shelf & Casters
	20497	Shelf for Stand, S/S
	16002	Casters (Set of 4)
	20435	Legs, 4" w/ Bolts, Ptd (Set of 4)

## EXTERIOR OVEN COMPONENTS

<u>Ref. No.</u>	<u>Part No.</u>	<u>Description</u>
	6433	Crown Assy.
	90086	Nameplate, Blodgett
	17032	Combustion Compartment Cover, LH Hinge
	30996	Combustion Compartment Cover, RH Hinge
	21600	Access Panel, S/S (Removeable Bodyside (Units before 7/1/98))
	34878	Access Panel, S/S (Removeable Bodyside (Units after 7/1/98))
	30990	Draft Diverter, Canopy Vent, S/S
	30989	Drafhood, Direct Vent (6" Dia.) S/S
	57552	Kit, Air Intake Upgrade (Snorkel)
	59426	Heat Shield Kit

## EXCLUSIVE TO EXPORT

<u>Ref. No.</u>	<u>Part No.</u>	<u>Description</u>
	20356	Transformer, 230V to 240V
	21430	Axial Fan, 230V (Before 8/13/90)
	23034	Axial Fan, 240V (After 8/13/90)
	20084	Timer, 60 Minute, 240V
	18582	Relay, 3PDT, 240V

<u>Ref. No.</u>	<u>Part No.</u>	<u>Description</u>
	16539	Indicator Light, 250V, Amber, Round
	56465	Pilot Burner & Ignitor Assy, Nat CE
	56466	Pilot Burner & Ignitor Assy, LP/But CE
	22989	Fuseblock
	M9182	Dual Solenoid/Pressure Regulator, Nat
	59123	Motor, 115, 1 PH, 1/2 HP, 1 SP
	57859	Motor, 208-240V, 1/2 HP, 1 SP
	33202	Tube, Pilot
	53009	Ignition Control, Landis & Gyr
	M3172	Timer, Fixed 2 Second
	36066	Thermostat, High Limit Kit (Manual Reset) CE Replaces M3295
	34781	Conversion Kit, Air Pressure Differential Switch CE (Before 3/23/99 or S.N. 032399SA066S)
	M9422	Air Pressure Differential Switch, switch only CE
	M9705	Polyurethane Tubing, used w/pressure switch (Per Inch, Total 36") CE
	30658	Solid State Digital Controller
	18588	Probe, Temperature
	30517	Switch, Rocker DPST, Black
	18578	Temperature Control Board (Solid State Manual)
	18234	Potentiometer, Remote (Infinite Control)
	16037	Light, Indicator 250V, Red, Round
	20348	Spark Box, export
	57530	Panel & Decal, Solid State Digital - CE

## EXCLUSIVE TO KFC JAPAN

<u>Ref. No.</u>	<u>Part No.</u>	<u>Description</u>
	22990	Transformer, 100V to 24V
	20253	Spacer, Steel
	18877	Spacer, Brass
	57859	Motor, 115-230, 1 PH, 1/2 HP, 1 SP
	22992	Control Panel & Decal Assy.
	30842	Cool Down Switch, Rocker DPDT Red Replacement Kit (For 1 Set Point Only)