



## **DFG-100-ES AND DFG-200-ES CONVECTION OVEN REPLACEMENT PARTS LIST**



**EFFECTIVE AUGUST 8, 2018**

Superseding All Previous Parts Lists.

The Company reserves the right to make substitution in the event that items specified are not available.

ERRORS: Descriptive and/or typographic errors are subject to correction.

---

### **BLODGETT OVEN COMPANY**

42 Allen Martin Drive, Essex Junction, Vermont 05452 USA Telephone: (802) 658-6600 Fax: (802) 860-3732  
[www.blodgett.com](http://www.blodgett.com)

*P/N 57916 Rev K*

## **SERIAL NUMBER LOCATION / KEY:**

***IMPORTANT: When ordering parts, please provide the model, gas type and serial number of the oven. The rating plate is located behind the control panel. The oven serial number is located on the top of the right hand side of the oven.***

**SERIAL NUMBER IDENTIFICATION CODE:  
CC - DFG-100-ES GAS CONVECTION OVEN  
CD - DFG-200-ES GAS CONVECTION OVEN**

### **SERIAL NUMBER EXAMPLE**

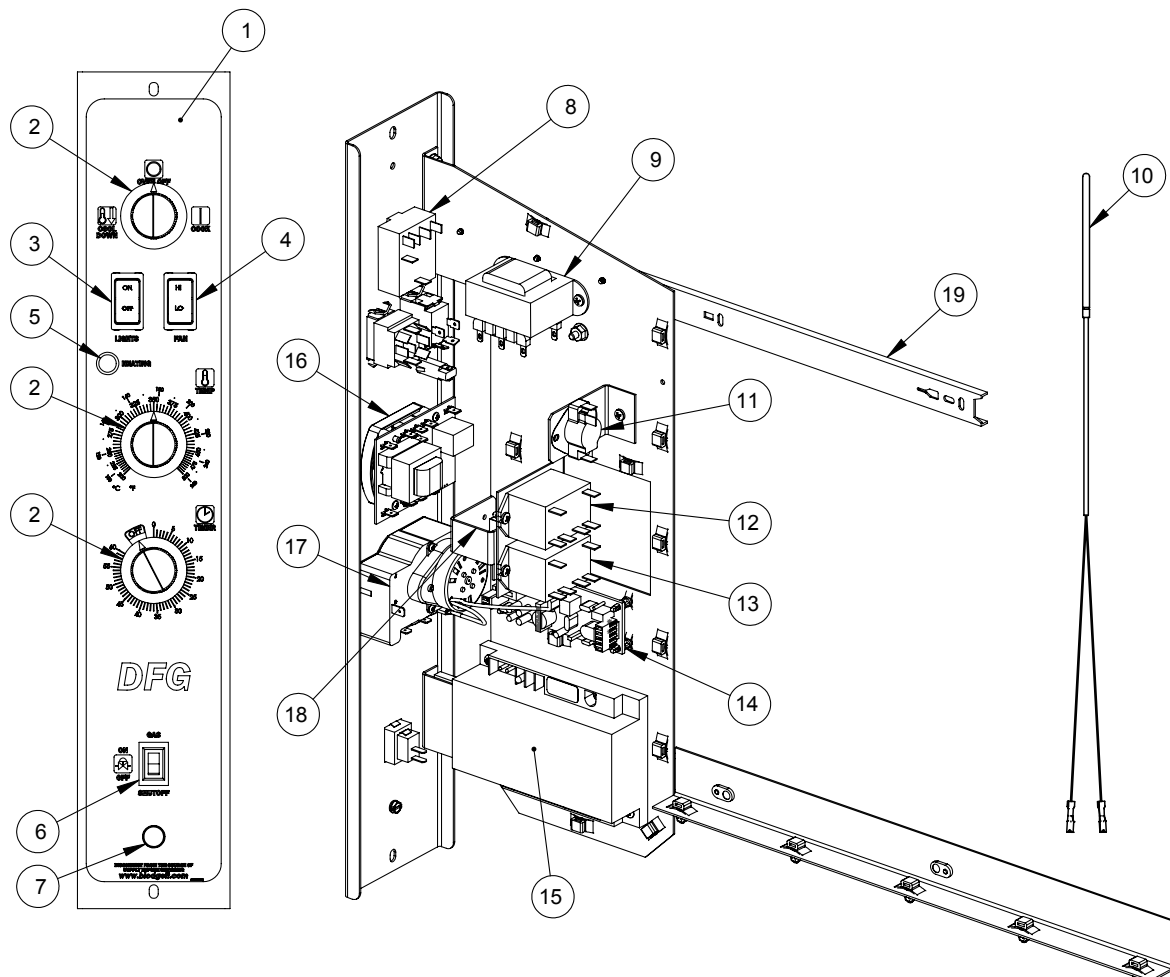
**010114CC001X  
01/01/14 = DATE  
CC = LETTER CODE FOR DFG-100-ES  
001 = FACTORY SEQUENCE  
X = SECTION ID (T for top, B for bottom section)**

# TABLE OF CONTENTS

## ◆ Doors Are Not Returnable

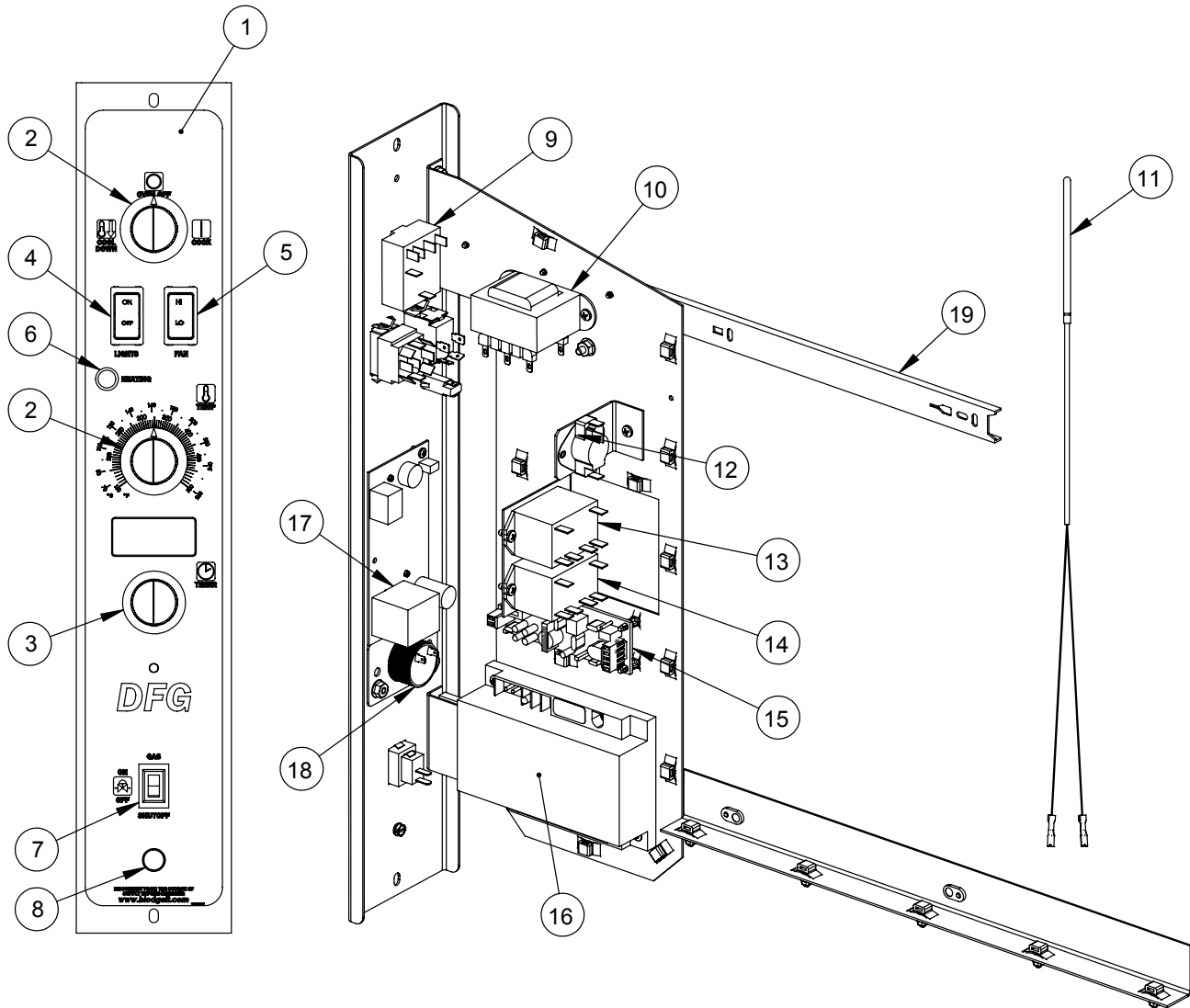
SOLID STATE INFINITE CONTROL W/60 MINUTE TIMER .....	4
SOLID STATE INFINITE CONTROL W/DIGITAL TIMER .....	5
SOLID STATE DIGITAL CONTROL .....	6
BURNER COMPONENTS .....	7
INTERIOR HEAT SYSTEM COMPONENTS.....	9
LOWER DOOR SUPPORT COMPONENTS.....	10
EXTERIOR COMPONENTS & DOORS .....	11
INTERIOR COMPONENTS.....	12
ACCESSORIES.....	14

# P/N 57538 - SSI-M INFINITE CONTROL W/60 MINUTE TIMER



Ref. No.	Part No.	Description	Ref. No.	Part No.	Description
	57538	CONTROL MODULE, SSI-M, COMPLETE	12	31558	RELAY 240V 25A. NOTE: FOR GENERAL EXPORT ONLY.
1	57918	PANEL AND DECAL	13	37058	RELAY, DPST 25A 24V
2	36616	KNOB W/POINTER		59382	RELAY 24V 30A. NOTE: FOR CE ONLY.
3	6497	SWITCH, ROCKER, SPST	14	54607	POWER SUPPLY, 15W 12V
4	20530	SWITCH, ROCKER, 3PDT	15	54388	CONTROL, IGNITION
5	18265	INDICATOR LIGHT		57084	CONTROL, IGNITION CE. NOTE: FOR CE ONLY.
6	36376	SWITCH, GAS ON/OFF	16	57372	THERMOSTAT, 200-500F, 350 TDC
7	57724	KNOB, CONTROL PULL	17	18225	TIMER, 60 MIN
8	16025	ROTARY SWITCH	17	20084	TIMER, 60MIN 240V/50HZ. NOTE: FOR CE ONLY AND GENERAL EXPORT 50HZ ONLY
9	20355	TRANSFORMER, 115 TO 24 V, 30VA	17	18226	TIMER, 60MIN 240V/60HZ. NOTE: FOR GENERAL EXPORT 60HZ ONLY.
9	36700	TRANSFORMER 115/230V TO 24V 56VA, FOR CE AND GENERAL EXPORT.	18	20349	BUZZER, 120V.
10	56873	PROBE, 1K RTD, 3/16" DIA.	18	36124	BUZZER ASSEMBLY 240V. NOTE: FOR CE AND GENERAL EXPORT.
11	36755	SWITCH, THERMAL SPDT	19	57701	SLIDE, BALL BEARING, 14"
12	36603	RELAY, 120V			
12	59383	RELAY 240V. NOTE: FOR CE ONLY.			

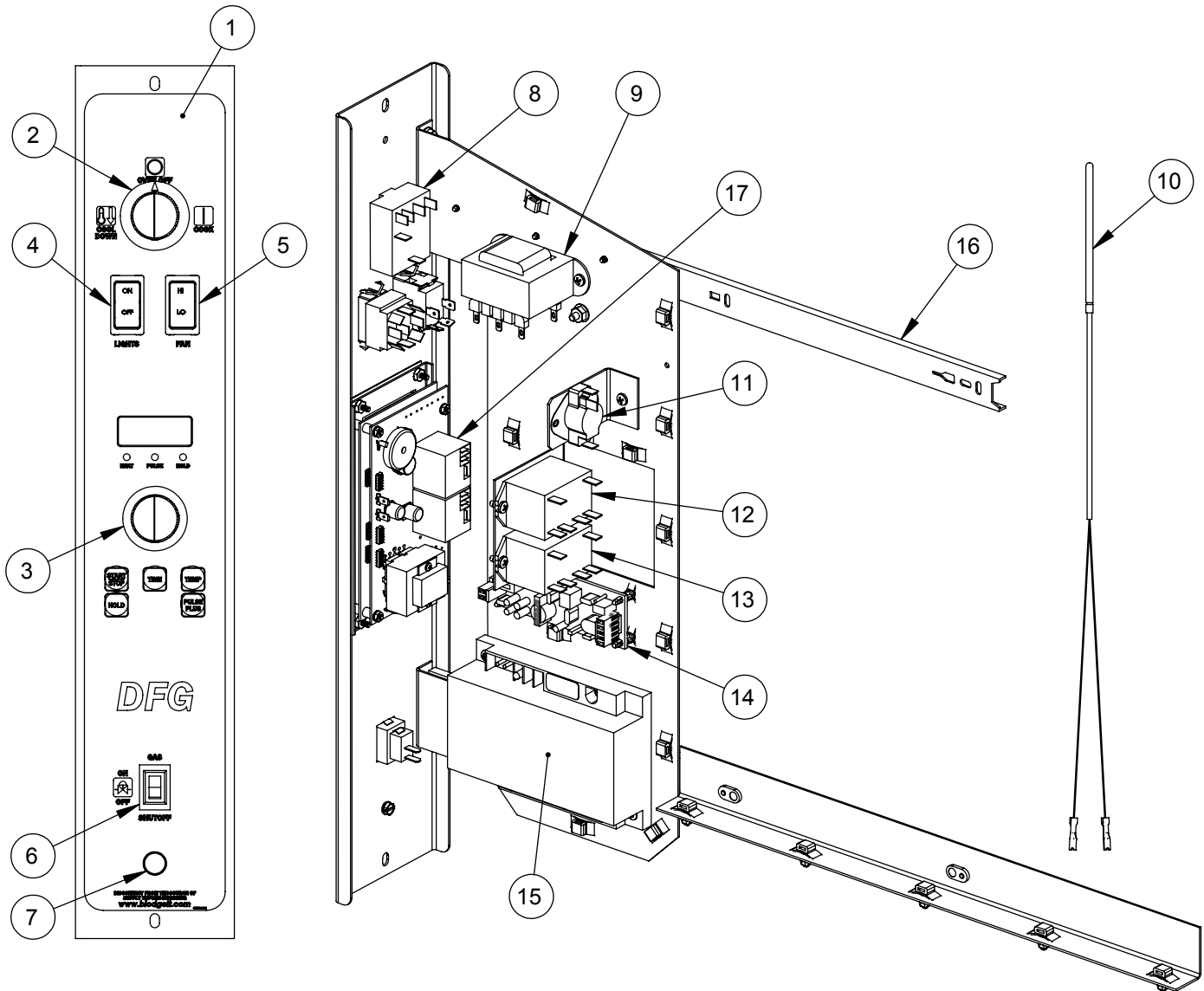
# P/N 57539 - SSI-D INFINITE CONTROL W/DIGITAL TIMER



Ref. No.	Part No.	Description
	57539	CONTROL MODULE, SSI-D, COMPLETE
1	57919	PANEL AND DECAL
2	36616	KNOB W/POINTER
3	36617	KNOB W/O POINTER
4	6497	SWITCH, ROCKER, SPST
5	20530	SWITCH, ROCKER, 3PDT
6	18265	INDICATOR LIGHT
7	36376	SWITCH, GAS ON/OFF
8	57724	KNOB, CONTROL PULL
9	16025	ROTARY SWITCH
10	20355	TRANSFORMER, 115 TO 24 V, 30VA
10	36700	36700 TRANSFORMER 115/230V TO 24V 56VA. NOTE: FOR CE AND GENERAL EXPORT.

Ref. No.	Part No.	Description
11	56873	PROBE, 1K RTD, 3/16" DIA.
12	36755	SWITCH, THERMAL SPDT
13	36603	RELAY, 120V
13	59383	RELAY 240V. NOTE: FOR CE ONLY.
13	31558	RELAY 240V 25A. NOTE: FOR GENERAL EXPORT ONLY.
14	37058	RELAY, DPST 25A 24V
15	59382	RELAY 24V 30A. NOTE: FOR CE ONLY.
15	54607	POWER SUPPLY, 15W 12V
16	54388	CONTROL, IGNITION
	57084	CONTROL, IGNITION CE. NOTE: FOR CE ONLY.
17	57561	CONTROL, SSI DIG TIMER RTD
18	52668	PIEZO BEEPER
19	57701	SLIDE, BALL BEARING, 14"

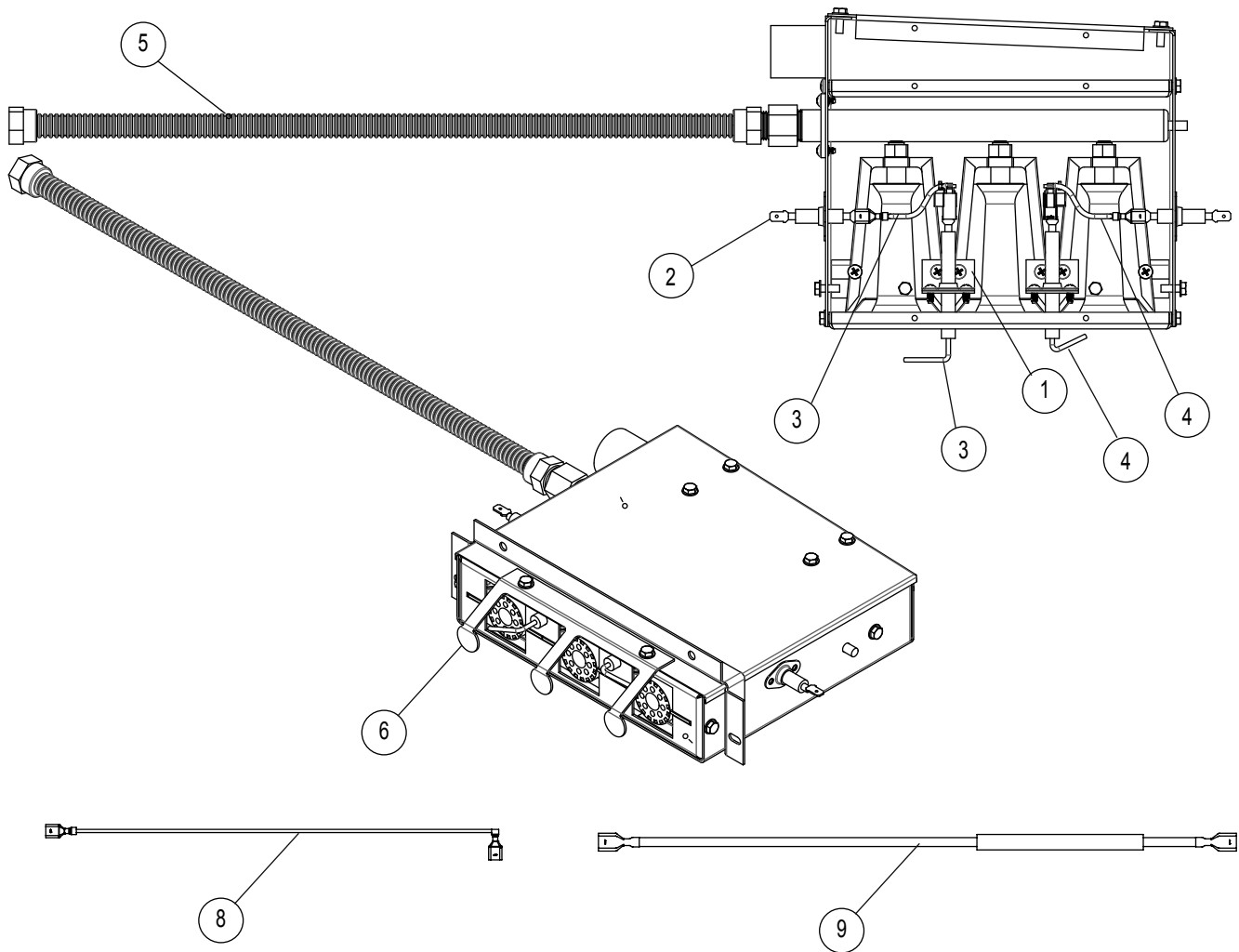
# P/N 57540 - SOLID STATE DIGITAL CONTROL



Ref. No.	Part No.	Description
	57540	CONTROL MODULE, SSD, COMPLETE
1	57917	PANEL AND DECAL
2	36616	KNOB W/POINTER
3	36617	KNOB W/O POINTER
4	6497	SWITCH, ROCKER, SPST
5	20530	SWITCH, ROCKER, 3PDT
6	36376	SWITCH, GAS ON/OFF
7	57724	KNOB, CONTROL PULL
8	16025	ROTARY SWITCH
9	20355	TRANSFORMER, 115 TO 24 V, 30VA
9	36700	TRANSFORMER 115/230V TO 24V 56VA. NOTE: FOR CE AND GENERAL EXPORT.
10	56873	PROBE, 1K RTD, 3/16" DIA.

Ref. No.	Part No.	Description
11	36755	SWITCH, THERMAL SPDT
12	36603	RELAY, 120V
12	59383	RELAY 240V. NOTE: FOR CE ONLY.
12	31558	RELAY 240V 25A. NOTE: FOR GENERAL EXPORT ONLY.
13	37058	RELAY, DPST 25A 24V
13	59382	RELAY 24V 30A. NOTE: FOR CE ONLY.
14	54607	POWER SUPPLY, 15W 12V
15	54388	CONTROL, IGNITION
15	57084	CONTROL, IGNITION CE. NOTE: FOR CE ONLY.
16	57701	SLIDE, BALL BEARING, 14"
17	58195	CONTROL, SOLID STATE DIGITAL
	57856	CONTROL HARNESS

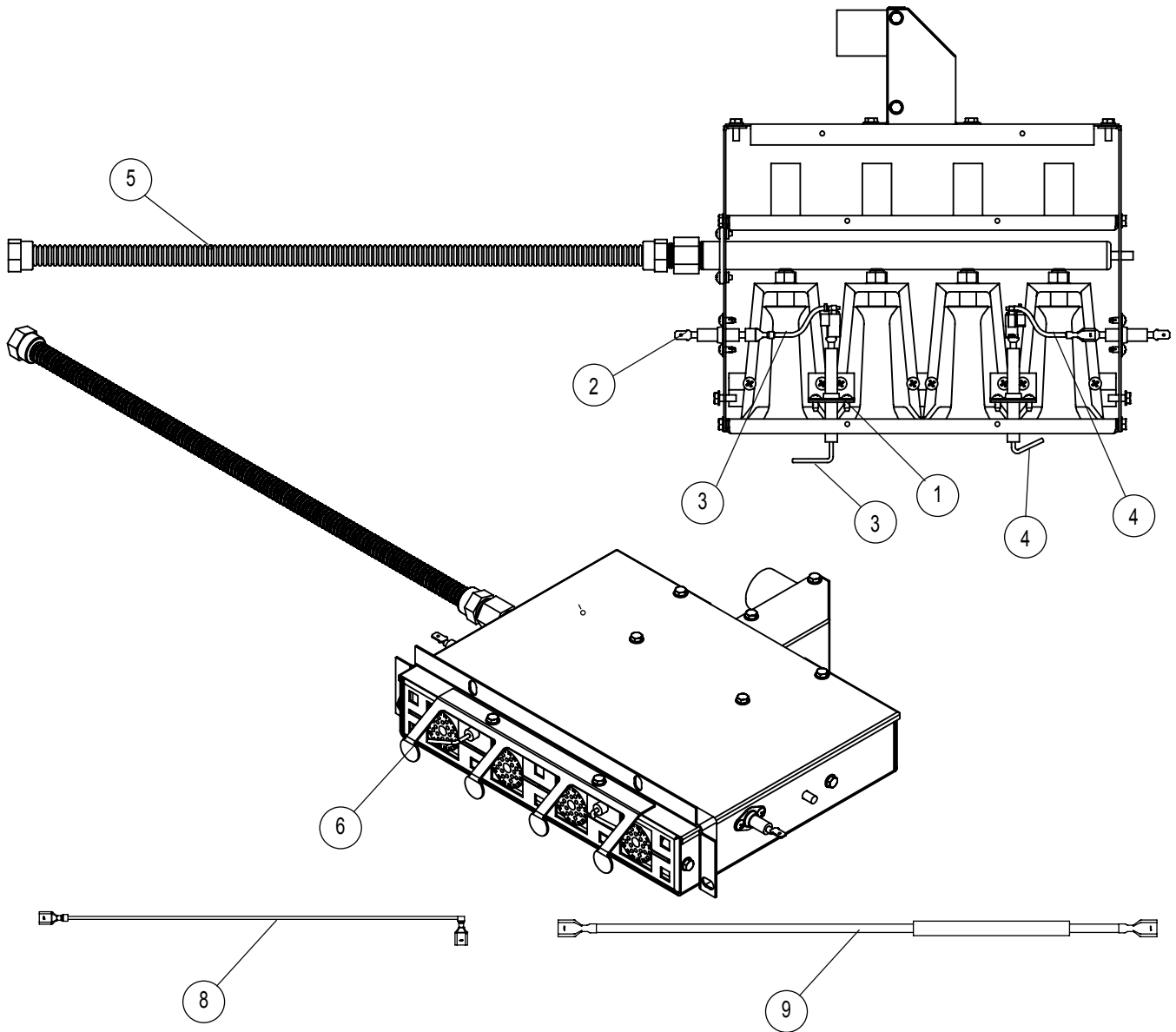
# DFG-100-ES BURNER COMPONENTS



Ref. No.	Part No.	Description
	54908	BURNER ASSY., NATURAL GAS
	55032	BURNER ASSY., LP GAS
1	54911	ELECTRODE MOUNTING BRACKET
2	54327	BURNER WIRING CONNECTOR
3	59254	ELECTRODE, FLAME SENSE
4	59255	ELECTRODE, SPARK

Ref. No.	Part No.	Description
5	54935	FLEX HOSE
6	54910	TURBULATOR
8	19677	FLAME SENSE WIRE, 36" WHITE
9	58028	IGNITION WIRE
	57841	CONVERSION KIT, NATURAL TO LP
	58226	CONVERSION KIT, LP TO NATURAL

# DFG-200-ES BURNER COMPONENTS

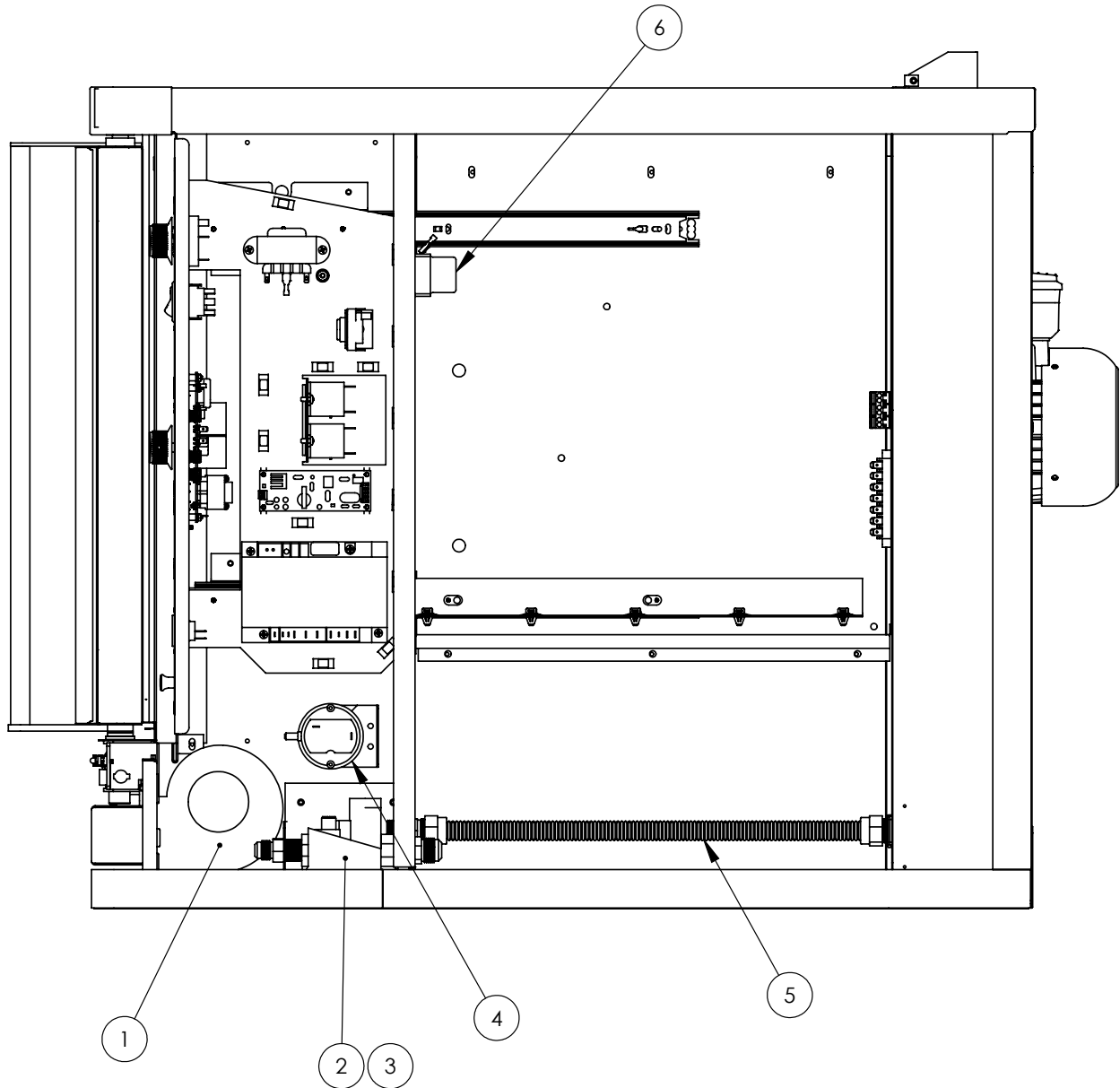


Ref. No.	Part No.	Description
	57804	BURNER ASSY., NATURAL GAS
	57898	BURNER ASSY., LP GAS
1	54911	ELECTRODE MOUNTING BRACKET
2	54327	BURNER WIRING CONNECTOR
3	59254	ELECTRODE, FLAME SENSE
4	59219	ELECTRODE, SPARK

Ref. No.	Part No.	Description
5	54935	FLEX HOSE
6	57782	TURBULATOR
8	19677	FLAME SENSE WIRE, 36" WHITE
9	58028	IGNITION WIRE
	58203	CONVERSION KIT, NATURAL TO LP
	58204	CONVERSION KIT, LP TO NATURAL

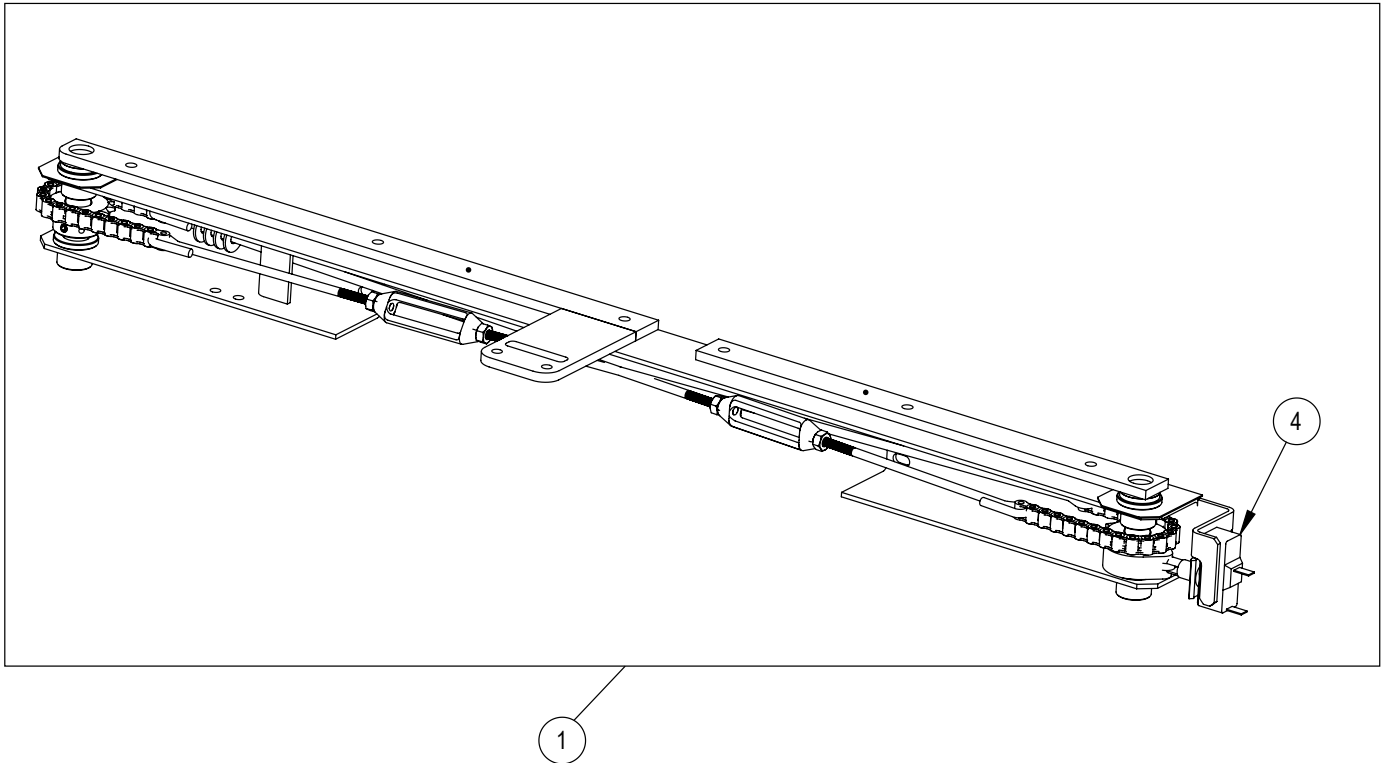


# INTERIOR HEAT SYSTEM COMPONENTS



<b>Ref. No.</b>	<b>Part No.</b>	<b>Description</b>
1	54897	BLOWER, 12V DC
2	54938	GAS VALVE ASSY, NATURAL
3	54939	GAS VALVE ASSY, LP
4	54802	PRESSURE SWITCH
5	55070	FLEX TUBE FOR DFG-100-ES
5	36228	FLEX TUBE FOR DFG-200-ES
6	58025	THERMOSTAT, HIGH LIMIT
7	M9705	TUBING, PRESSURE SWITCH (BY THE INCH)

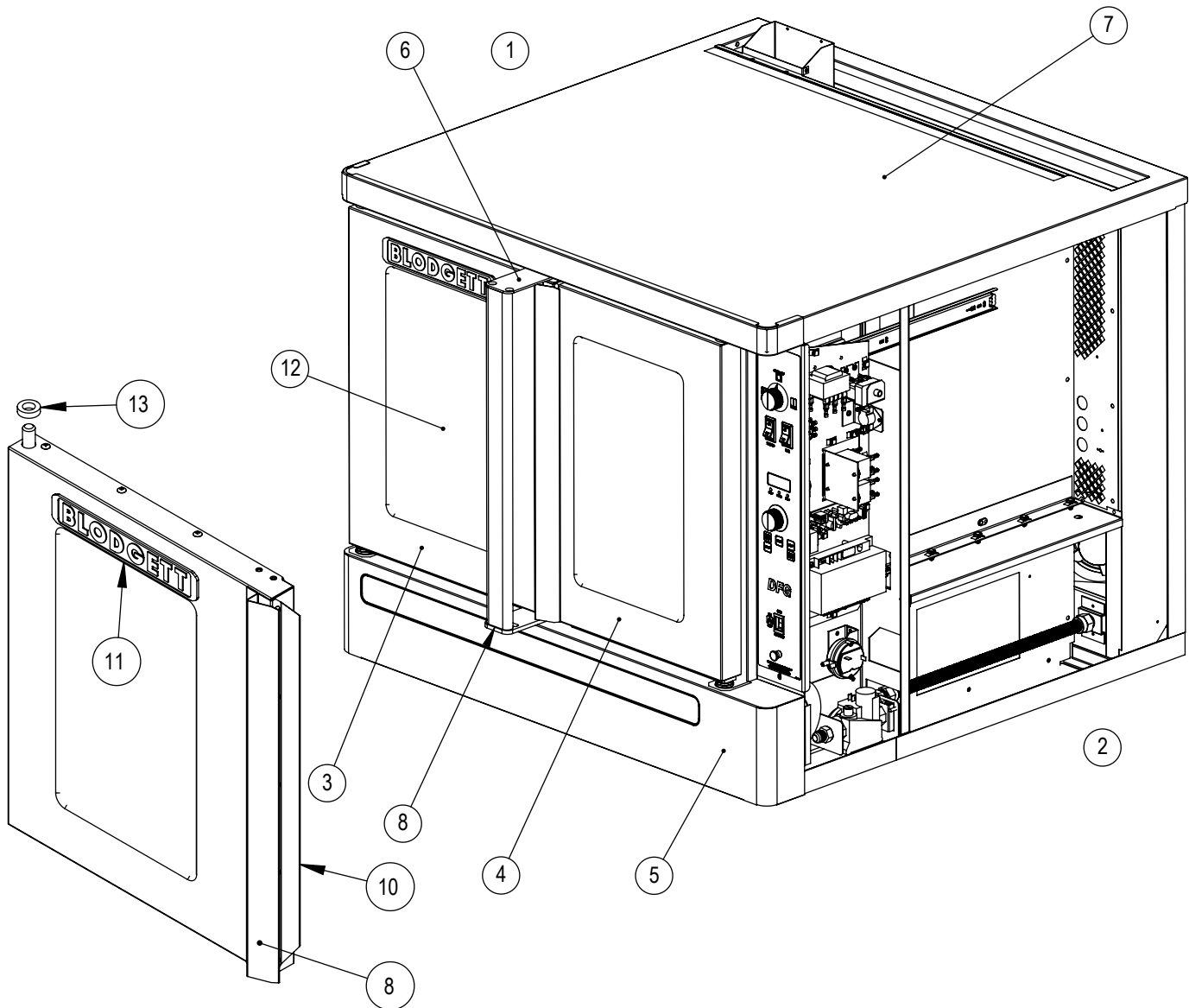
# LOWER DOOR SUPPORT COMPONENTS



<b>Ref. No.</b>	<b>Part No.</b>	<b>Description</b>
1	36037	LOWER DOOR SUPPORT ASSY W/SWITCH <i>NOTE: Lower Door Support Assy includes the hinge pins, arms, chain &amp; turnbuckles, sprocket assy, and cam assy.</i>
4	35193	MICROSWITCH

# EXTERIOR COMPONENTS & DOORS

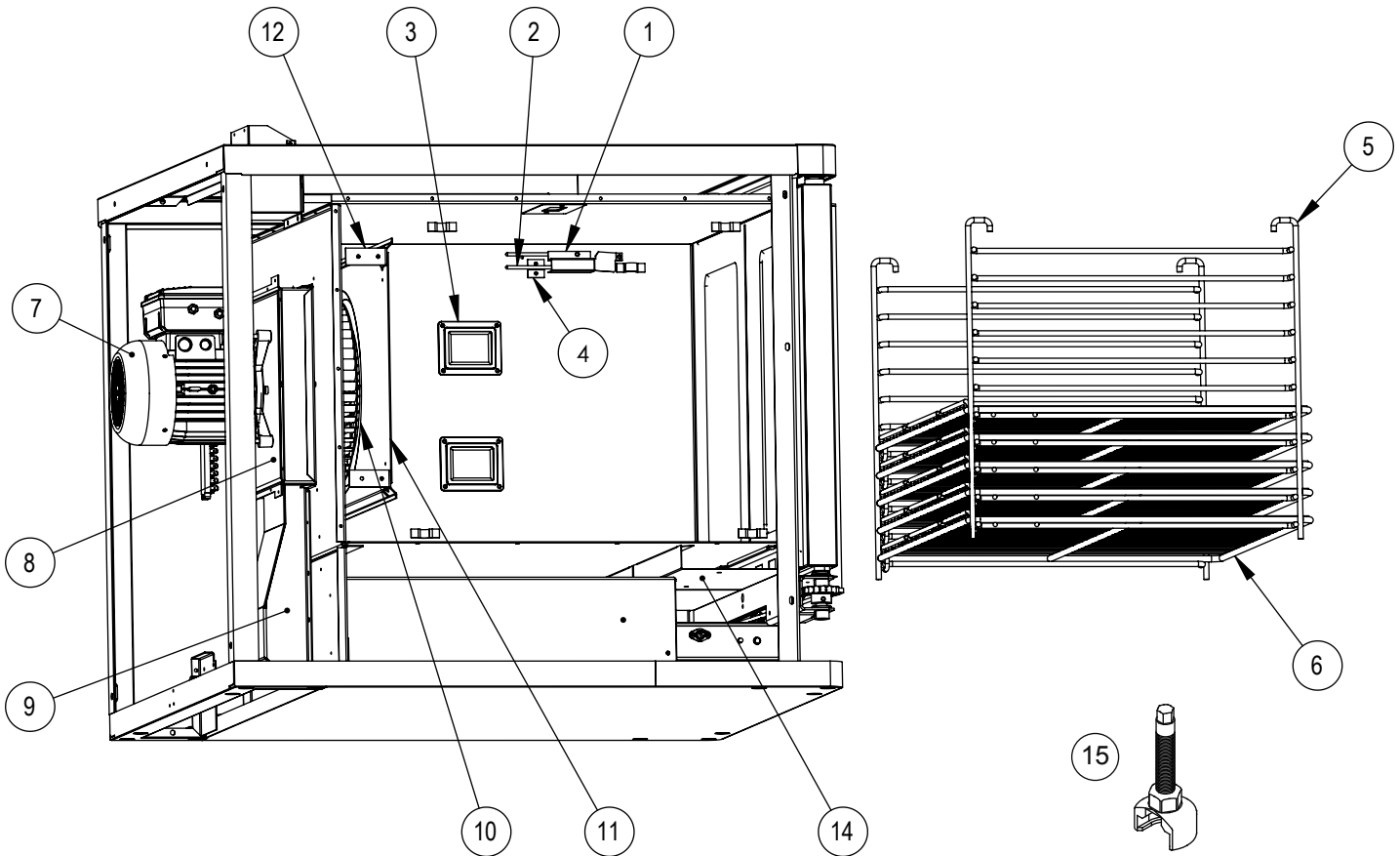
DFG-100-ES SHOWN



Ref. No.	Part No.	Description	Ref. No.	Part No.	Description
1	37205	BODYSIDE, LH	9	36606	PRESSURE LOCK (ATTACHES TO SIDE OF DOOR)
2	36407	BODYSIDE, RH	0	17311	CENTER DOOR TRIM
3	20804	LEFT HAND GLASS DOOR	11	16470	NAMEPLATE
3	20806	LEFT HAND SOLID DOOR	12	9036	WINDOW ASSEMBLY, DROP IN (10-1/8 X 17-1/8)
4	20803	RIGHT HAND GLASS DOOR		9035	WINDOW TOOL FOR INSTALLATION AND REMOVAL OF GLASS
4	20805	RIGHT HAND SOLID DOOR		90004	BRONZE DOOR BEARINGS, SET OF 2
5	58030	COMBUSTION COVER	13	16657	BUSHING, DOOR SLEEVE, UPPER
6	18081	DOOR HANDLE TOP PLATE		36876	PERIMETER DOOR GASKET
7	36621	BODYTOP, DFG-100-ES			
	38981	BODYTOP, DFG-200-ES			
8	17558	DOOR HANDLE WITH HARDWARE			

# INTERIOR COMPONENTS

DFG-100-ES SHOWN

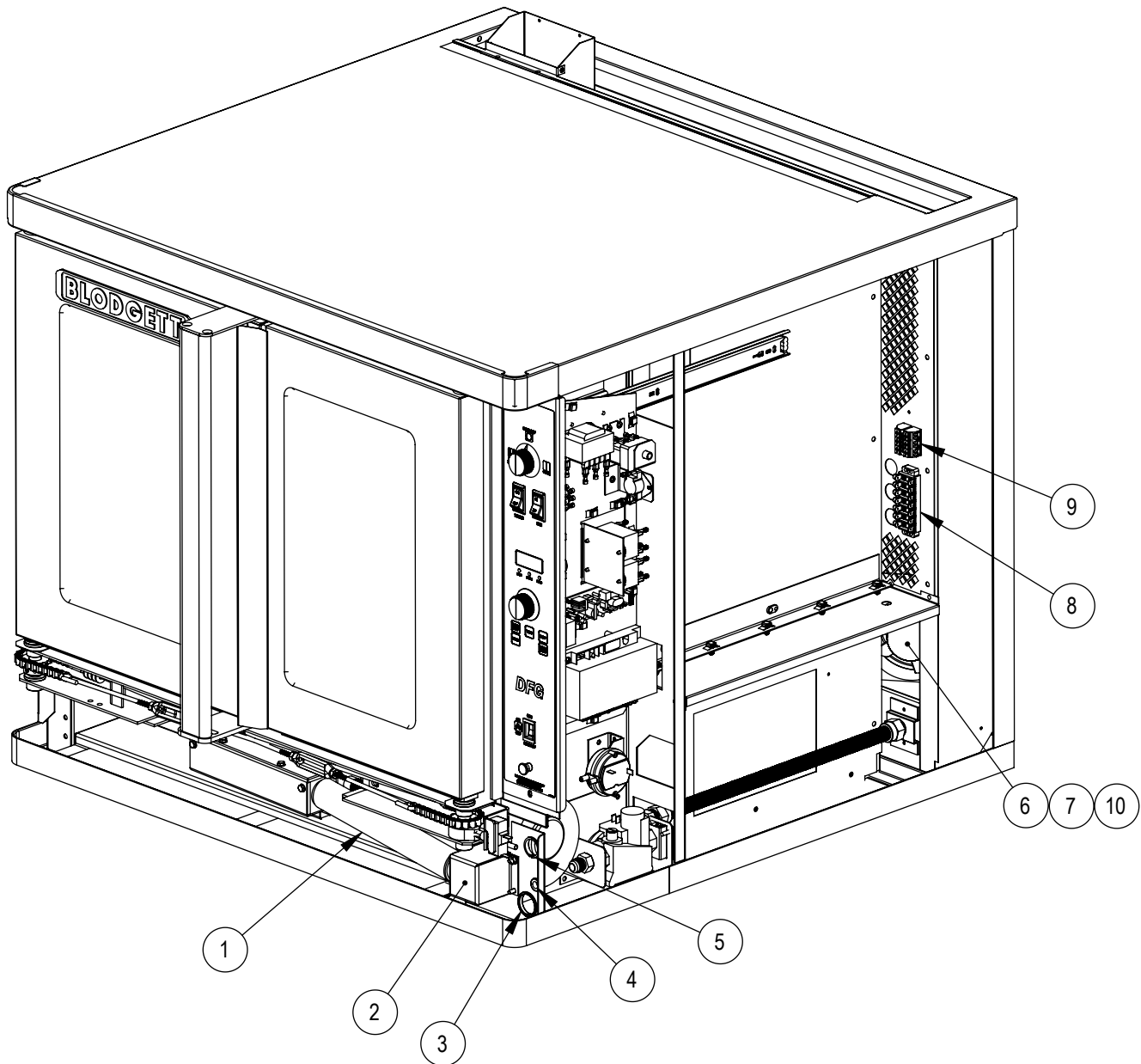


Ref. No.	Part No.	Description
1	38673	TEMPERATURE PROBE GUARD
2	56873	PROBE, 1K RTD
3	55607	LIGHT, HALOGEN, 40W 120V
4	33088	PROBE CLIP
5	19081	RACK SUPPORT KIT (SET OF 2) DFG-100-ES
	21422	RACK SUPPORT KIT (SET OF 2) DFG-200-ES
6	18768	OVEN RACKS QTY 5 PER OVEN DFG-100-ES
	20246	OVEN RACKS QTY 5 PER OVEN DFG-200-ES
7	56966	MOTOR, 3/4 HP
8	53771	MOTOR PANEL MOUNT, DFG-100-ES

Ref. No.	Part No.	Description
	57770	MOTOR PANEL MOUNT, DFG-200-ES
9	53817	BURNER BOX BACK, DFG-100-ES
	55888	BURNER BOX BACK, DFG-200-ES
10	55346	BLOWER WHEEL
11	51673	OVEN CAVITY Baffle
12	8646	BAFFLE SUPPORT KIT (SET OF 4)
14	55213	INSULATION RETAINER, LINER BOTTOM DFG-100-ES
	57766	INSULATION RETAINER, LINER BOTTOM DFG-200-ES
15	33147	WHEEL PULLER, USED TO REMOVE BLOWER WHEEL

# INTERIOR COMPONENTS

DFG-100-ES SHOWN

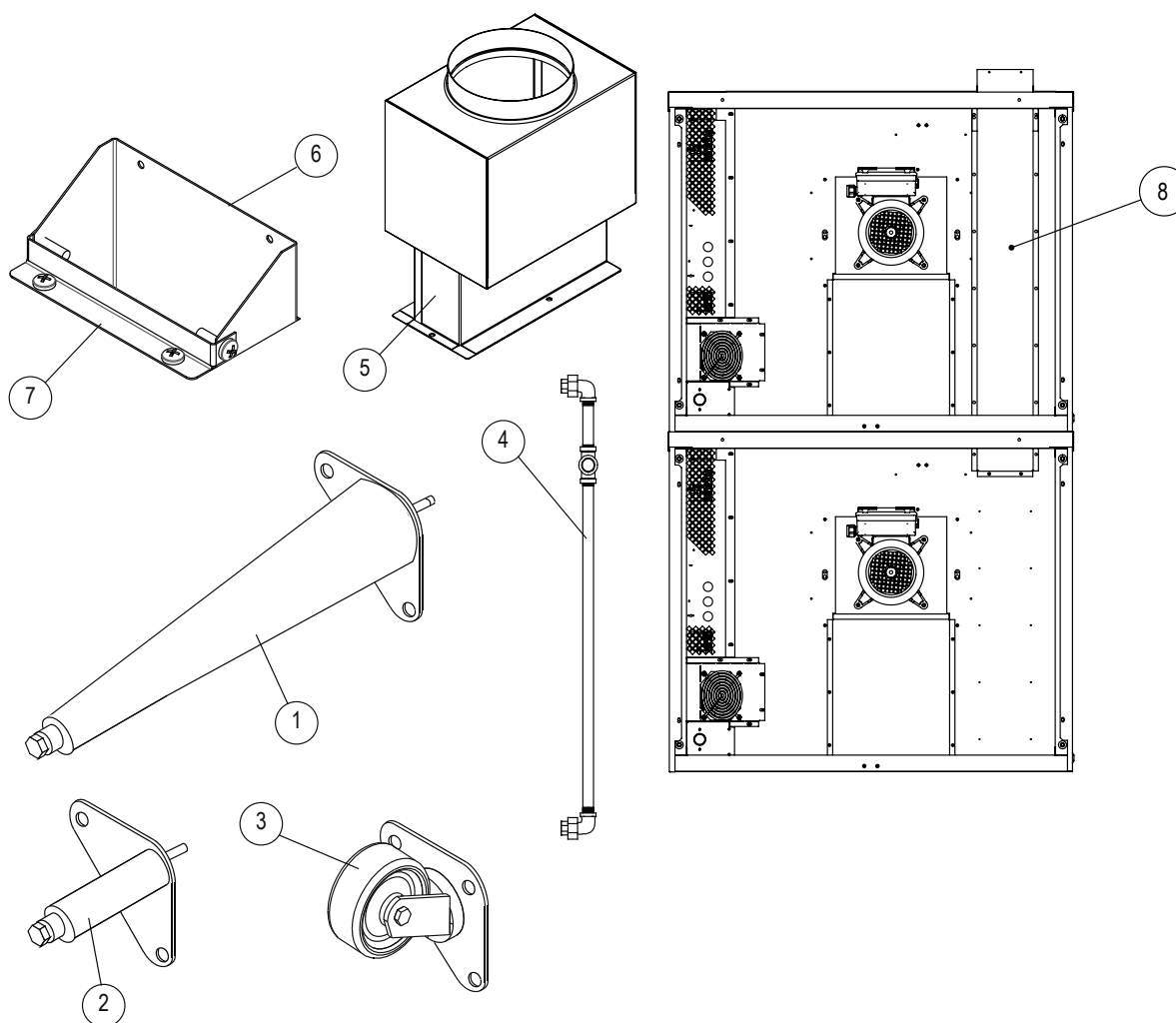


Ref. No.	Part No.	Description
1	39989	AIR TUBE (BY THE INCH)
2	54896	AIR BOX ASSEMBLY
3	55597	GROMMET, 1.125" I.D.
4	19086	GROMMET, .375" I.D.
5	19087	GROMMET, .875" I.D.
6	22301	COOLING FAN

Ref. No.	Part No.	Description
7	39100	FAN HOUSING
8	39108	7 POSITION TERMINAL BLOCK
9	38605	3 POSITION TERMINAL BLOCK W/ GROUND
10	M0571	FAN GUARD

# ACCESSORIES

## DFG-100-ES SHOWN



Ref. No.	Part No.	Description
	33196	SEISMIC LEGS, 6" SET OF 4
1	8598	LEGS, 25" W/FEET SET OF 4
2	8600	LEGS, 6" SET OF 4
	16002	CASTERS, FOR SGL OVEN
3	5779	CASTERS, PLATE, FOR DBL OVEN
	19528	CASTERS, LOW PROFILE, FOR DOUBLE OVEN
4	35048	BACKPIPE, DBL
5	58012	DRAFT HOOD ASSY
6	57622	FLUE BOX, DFG-100-ES
	57238	FLUE BOX, DFG-200-ES
7	57646	FLUE BOX GUARD
	57940	VENTING/STACKING KIT FOR DOUBLE STACK OVENS, DFG-100-ES
	58196	VENTING/STACKING KIT FOR DOUBLE STACK OVENS, DFG-200-ES

Ref. No.	Part No.	Description
	58013	VENTING KIT FOR SINGLE OVENS, DFG-100-ES
	58197	VENTING KIT FOR SINGLE OVENS, DFG-200-ES
	58338	STACKING KIT, DFG-100-ES ON DFG-100, ZEPHAIRE-240G, ZEPHAIRE-100-G OR SHO-100G
	58339	STACKING KIT, DFG-100-ES ON DFG-100, ZEPHAIRE-G, ZEPHAIRE-200-G OR DFG-200
	58340	STACKING KIT, DFG-200-ES ON DFG-100, ZEPHAIRE-240G, ZEPHAIRE-100-G OR SHO-100G
	58341	STACKING KIT, DFG-200-ES ON DFG-100, ZEPHAIRE-G, ZEPHAIRE-200-G OR DFG-200