



HV-100E & HV-100E-AB HYDROVECTION OVENS REPLACEMENT PARTS LIST

HV-100E

SERIAL LETTER CODE "KE OR KC" (*manufactured on or before 1/20/2017*)

See pages 4 - 16

HV-100E-AB

SERIAL LETTER CODE "KL" (*manufactured after 1/20/2017*)

See pages 17 - 28

EFFECTIVE OCTOBER 9, 2018

Superseding All Previous Parts Lists.

The Company reserves the right to make substitution in the event that items specified are not available.

ERRORS: Descriptive and/or typographic errors are subject to correction.

BLODGETT OVEN COMPANY

42 Allen Martin Drive, Essex Junction, Vermont 05452 USA Telephone: (802) 658-6600 Fax: (802) 860-3732
www.blodgett.com

P/N 53055 Rev AC

SERIAL NUMBER LOCATION / KEY:

IMPORTANT: When ordering parts, please provide the model, gas type and serial number of the oven. The identification plate is located on the back of the oven.

**SERIAL NUMBER IDENTIFICATION CODE:
KE OR KC = HV-100E HYDROVECTION OVEN
KL = HV-100E-AB HYDROVECTION OVEN**

SERIAL NUMBER EXAMPLES

071909KC001

07/19/09 = DATE

KC = LETTER CODE FOR HV-100E

001 = FACTORY SEQUENCE

TABLE OF CONTENTS

HV-100E OVENS - SERIAL LETTER CODE "KE" OR "KC"

MANUAL CONTROLS	4
MENUSELECT CONTROLS	5
TOUCHSCREEN CONTROLS	6
DOORS	8
INTERIOR COMPONENTS	10
MOTOR	13
ELECTRICAL PANEL	14
EXTERIOR COMPONENTS	16

HV-100E-AB OVENS - SERIAL LETTER CODE "KL"

SMARTTOUCH CONTROL	18
SMARTTOUCH 2 CONTROL	19
MANUAL CONTROL	20
PROGRAMMABLE MANUAL CONTROL	21
DOORS	22
INTERIOR COMPONENTS	23
REAR COMPONENTS	24
MOTOR ASSEMBLY	25
EXTERIOR COMPONENTS	26
ELECTRICAL COMPONENTS	27
ELEMENT COMPONENTS	28

HV-100E & HV-100E-AB OVENS

ACCESSORIES	30
-------------------	----

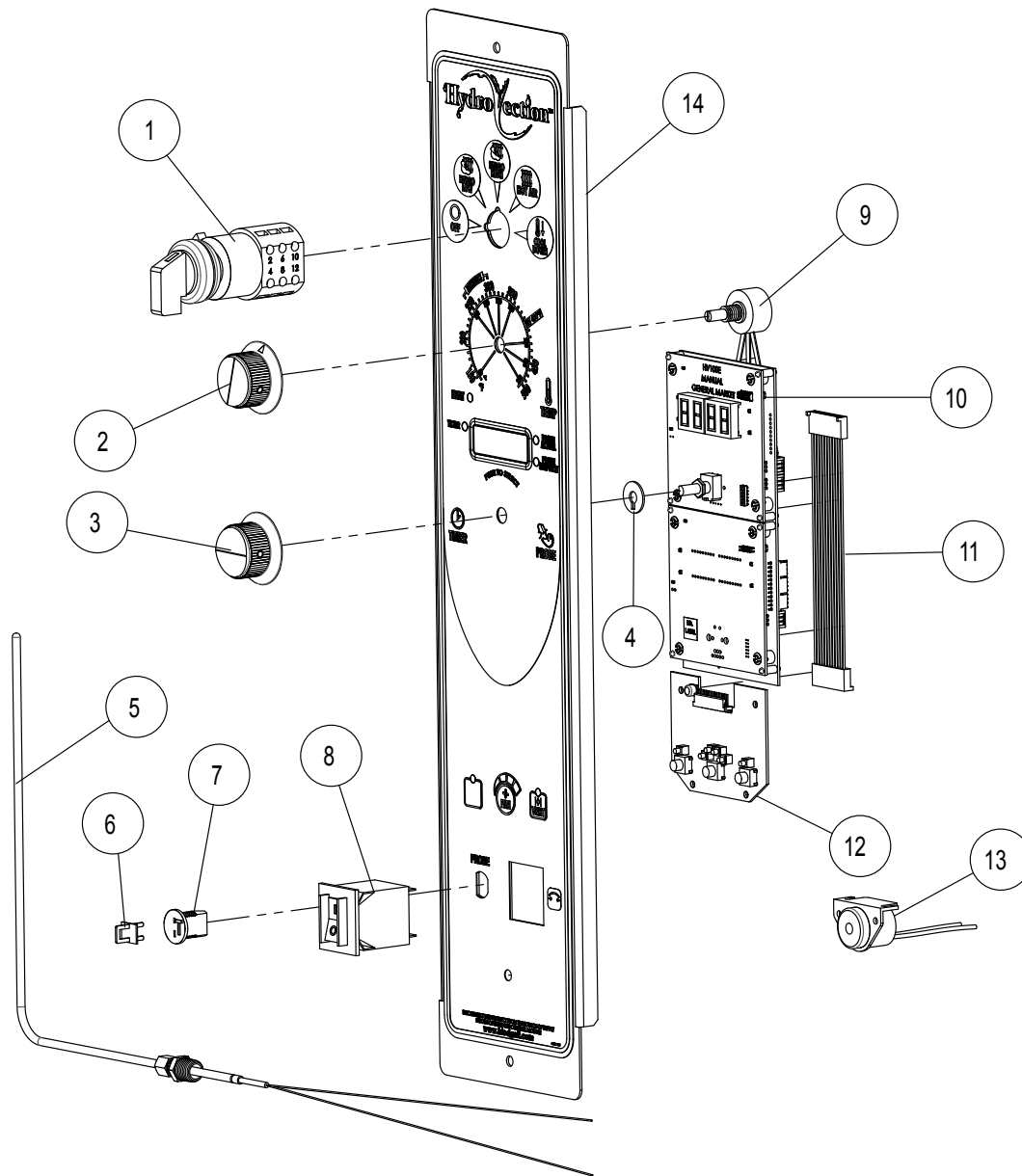
HV-100E OVENS

SERIAL LETTER CODE "KE" OR "KC"

(All Full Size Hydrovection ovens manufactured on or before 1/25/2017)

MANUAL CONTROLS

FOR HV-100E OVENS (MANUFACTURED BEFORE 1/20/2017)

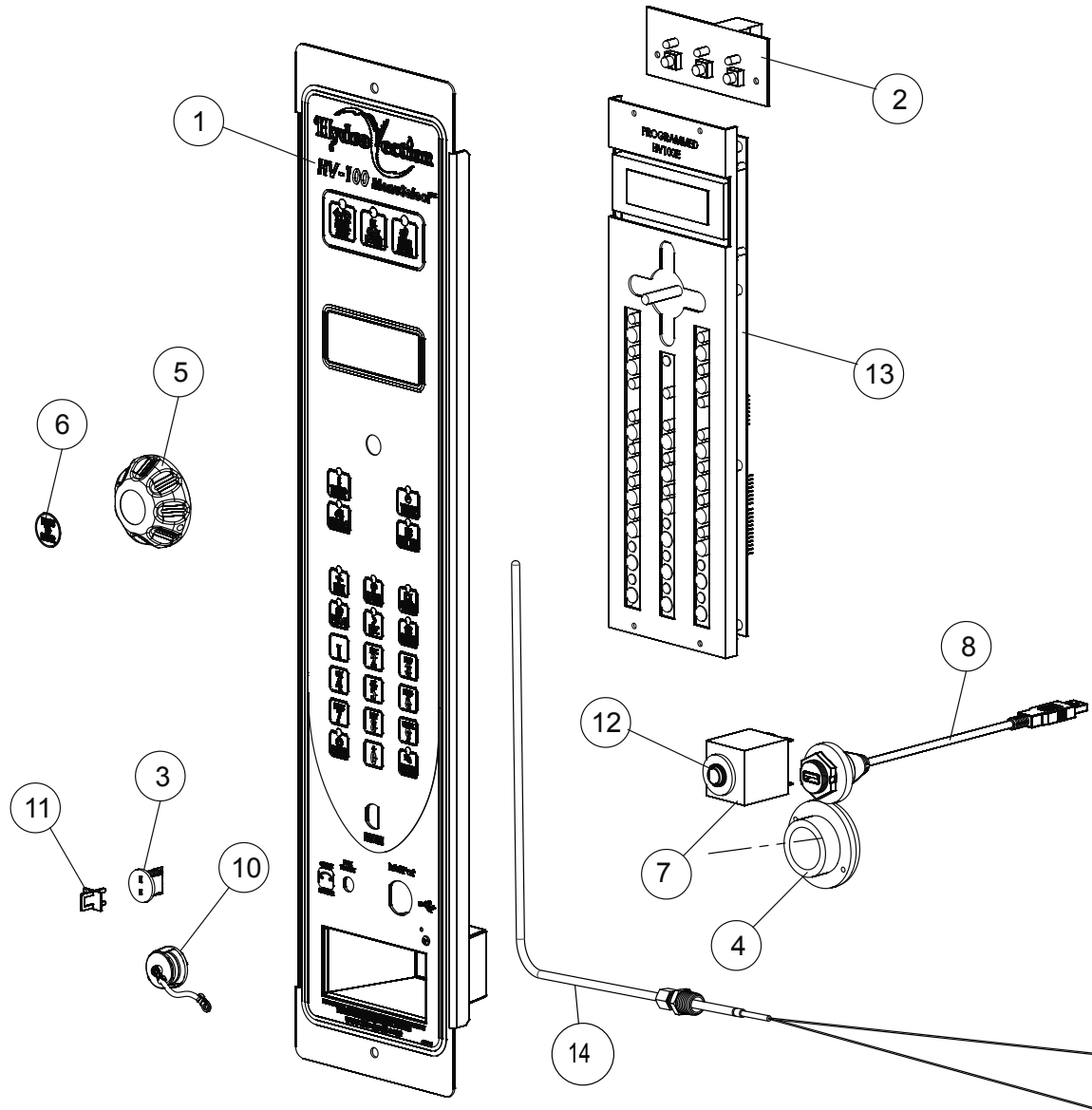


For HV-100E Ovens (Serial Letter Code KE or KC)

Ref. No.	Part No.	Description	Ref. No.	Part No.	Description
1	52466	ROTARY SWITCH, 5 POSITION	10	53400	PROGRAMMED CONTROL, HV100E MANUAL
2	36616	KNOB W/ARROW	11	53344	HARNESS, CONTROL CONNECTOR
3	36617	KNOB W/O ARROW	12	53157	BOARD, 3 BUTTON HYDRO MANUAL
4	54340	SPACER, ENCODER SUPPORT	13	53759	REMOTE BUZZER
5	53007	CAVITY PROBE		54075	COMMUNICATION CABLE
6	39782	MEAT PROBE JACK PLUG	14	58538	PANEL & DECAL W/O HOSE REEL (OVENS AFTER 10-6-11)
7	39781	MEAT PROBE JACK		58543	PANEL & DECAL W HOSE REEL (OVENS BEFORE 10-6-11)
8	39688	CIRCUIT BREAKER, 20A			
9	18234	POTENTIOMETER			

MENSELECT™ CONTROLS

FOR HV-100E OVENS (MANUFACTURED BEFORE 1/20/2017)

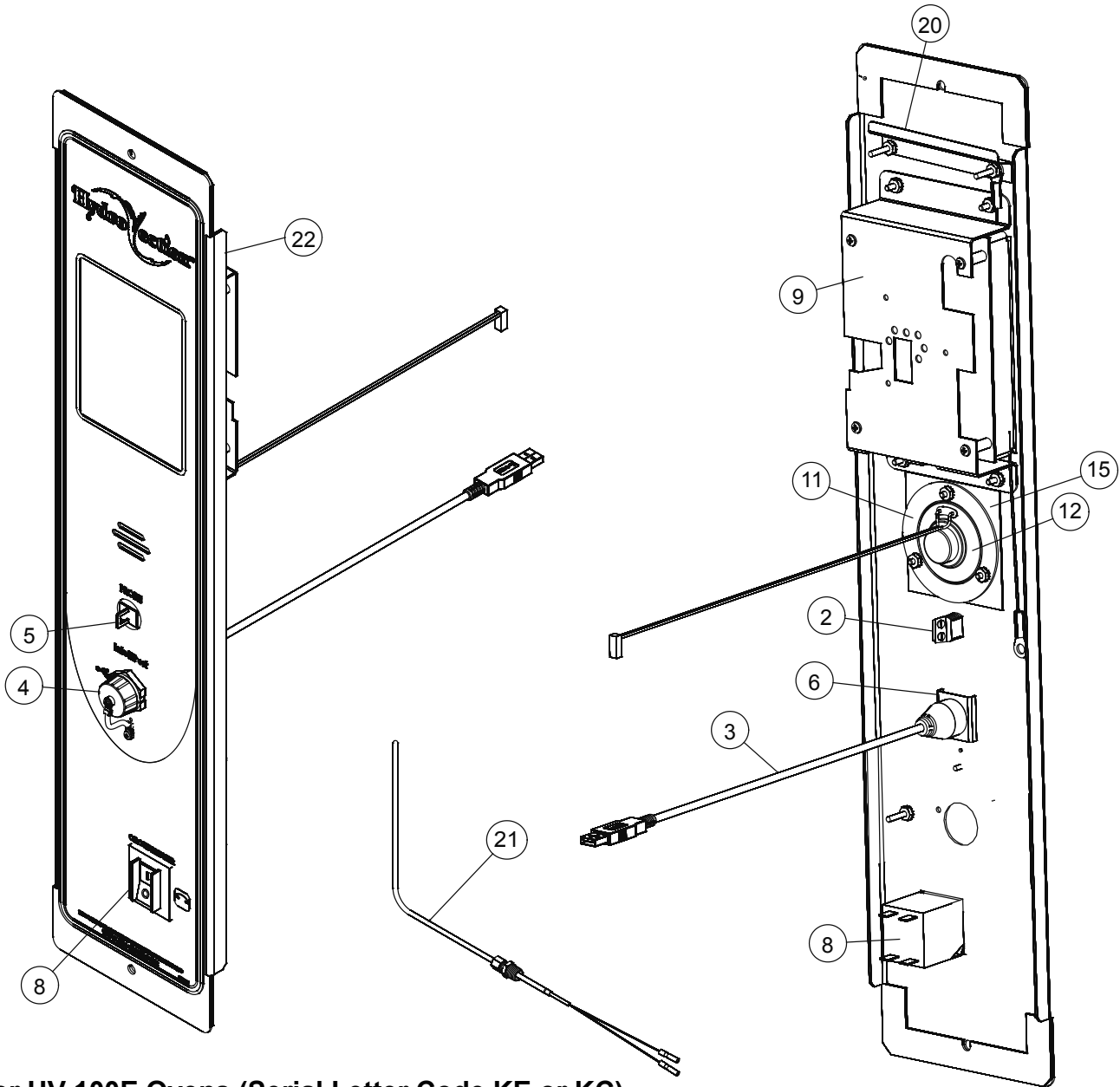


For HV-100E Ovens (Serial Letter Code KE or KC)

Ref. No.	Part No.	Description	Ref. No.	Part No.	Description
1	53003	PANEL & DECAL FOR MODELS W/ HOSE REEL AS SHOWN (OVENS BEFORE 10-6-11)		39688	CIRCUIT BREAKER, ROCKER STYLE
	58539	PANEL & DECAL FOR MODELS W/O HOSE REEL (OVENS AFTER 10-6-11)	8	52647	USB CABLE
2	39122	BOARD, 3 BUTTON PCB	10	52161	COVER, USB
3	39781	MEAT PROBE JACK	11	39782	MEAT PROBE JACK PLUG
4	52402	HOSE REEL GROMMET	12	52233	SPACER, CURCUIT BREAKER
5	51372	KNOB, XCEL	13	53384	PROGRAMMED CONTROL, HV100E KNOB
6	50986	DECAL, PRESS TO ENTER		36376	SWITCH, HEAT CUT-OFF
7	52185	CIRCUIT BREAKER, PUSH BUTTON STYLE		53759	REMOTE BUZZER
				54073	CUMMUNICATION CABLE
			14	53007	CAVITY PROBE

TOUCHSCREEN CONTROL

FOR HV-100E OVENS (MANUFACTURED BEFORE 1/20/2017)



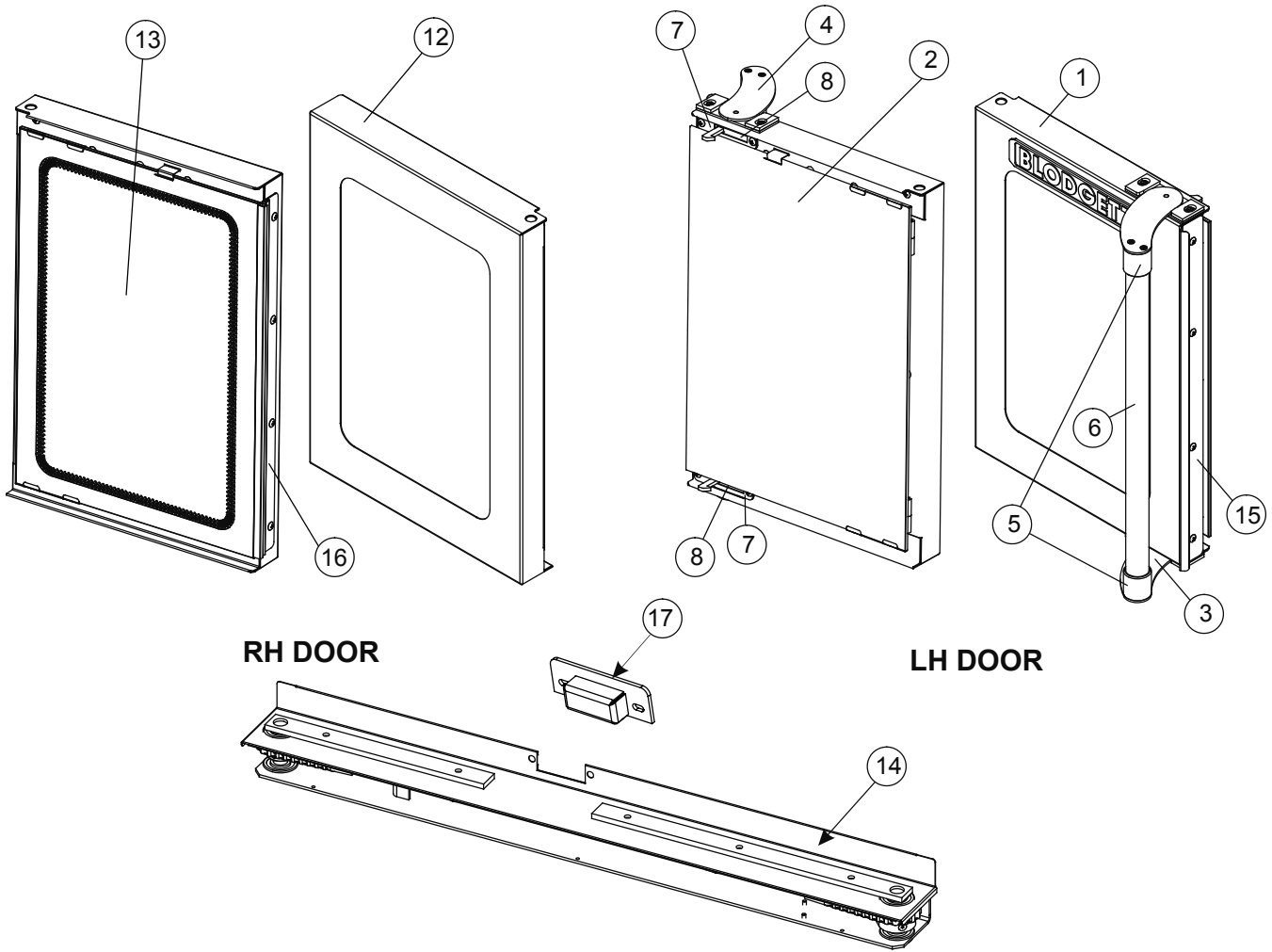
For HV-100E Ovens (Serial Letter Code KE or KC)

Ref. No.	Part No.	Description	Ref. No.	Part No.	Description
2	39781	MEAT PROBE JACK	57732		CONTROL, TOUCH SCREEN, DUNKIN DONUTS
3	52160	USB CABLE	58766		CONTROL, TOUCHSCREEN, LUCILLE'S
4	52161	COVER, USB	11	59616	SPEAKER RETAINER
5	39782	MEAT PROBE JACK PLUG	12	59777	SPEAKER KIT, W/RETAINERS
6	52600	SPACER, USB PORT	15	54440	SPEAKER COVER
8	39688	CIRCUIT BREAKER, 20A	20	52806	DEFLECTOR, CONTROL PANEL DRIP
9	55162	CONTROL, TOUCH SCREEN, BEFORE 11/8/13	21	53007	CAVITY PROBE
	57735	CONTROL, TOUCH SCREEN, AFTER 11/8/13		54330	COMMUNICATIONS CABLE
			22	58540	PANEL & DECAL

DOORS

STAINLESS STEEL

FOR HV-100E OVENS (MANUFACTURED BEFORE 1/20/2017)



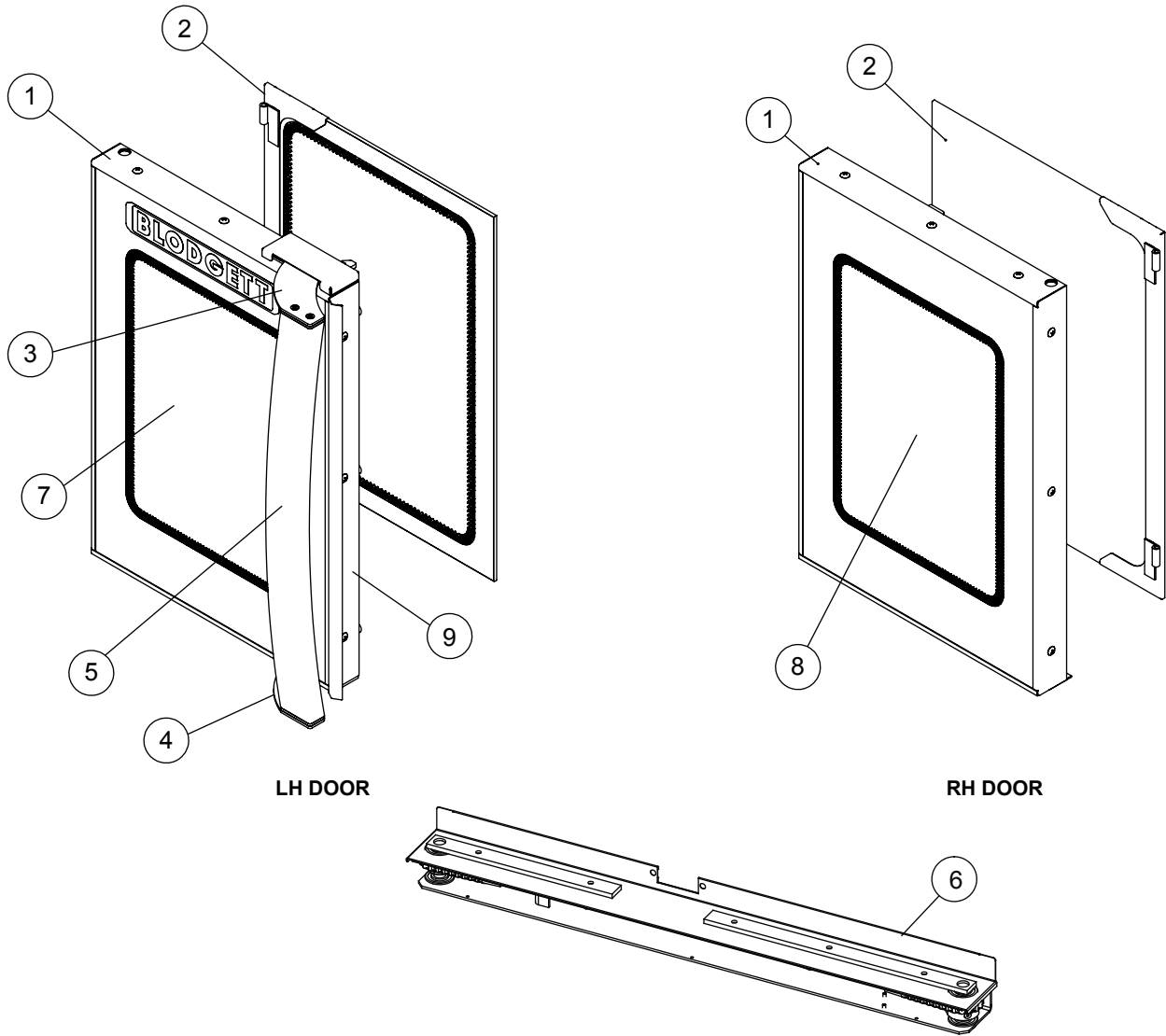
For HV-100E Ovens (Serial Letter Code KE or KC)

Ref. No.	Part No.	Description	Ref. No.	Part No.	Description
1	56762	ASSEMBLY, LH OUTER DOOR, WITH BLACK BORDER ON GLASS	12	56766	ASSEMBLY, RH OUTER DOOR, WITH BLACK BORDER ON GLASS
	53825	ASSEMBLY, LH OUTER DOOR WITH RED BORDER ON GLASS		53826	ASSEMBLY, RH OUTER DOOR, WITH RED BORDER ON GLASS
2	51534	ASSEMBLY, LH INNER DOOR GLASS WITH BLACK BORDER ON GLASS	13	51556	ASSEMBLY, RH INNER DOOR GLASS WITH BLACK BORDER ON GLASS
	53827	ASSEMBLY, LH INNER DOOR GLASS WITH RED BORDER ON GLASS		53828	ASSEMBLY, RH INNER DOOR GLASS WITH RED BORDER ON GLASS
3	57016	ASSY, LATCH RH	14	57953	DOOR TURNBUCKLE ASSEMBLY
4	57015	ASSY, LATCH LH		52514	DOOR SWITCH ASSEMBLY
5	50213	END CAP, HANDLE	15	51450	LH DOOR CENTER CHANNEL
6	51542	ASSEMBLY, DOOR HANDLE	16	51610	RH DOOR CENTER GASKET
7	51539	PLATE, LATCH COVER		51631	RUBBER BUMPER (PUSH IN STYLE)
8	51668	GASKET, DOOR LATCH		60185	BUMPER (SCREW IN STYLE)
			17	57889	CATCH LATCH ASSEMBLY

DOORS

BLACK GLASS

FOR HV-100E OVENS (MANUFACTURED BEFORE 1/20/2017)

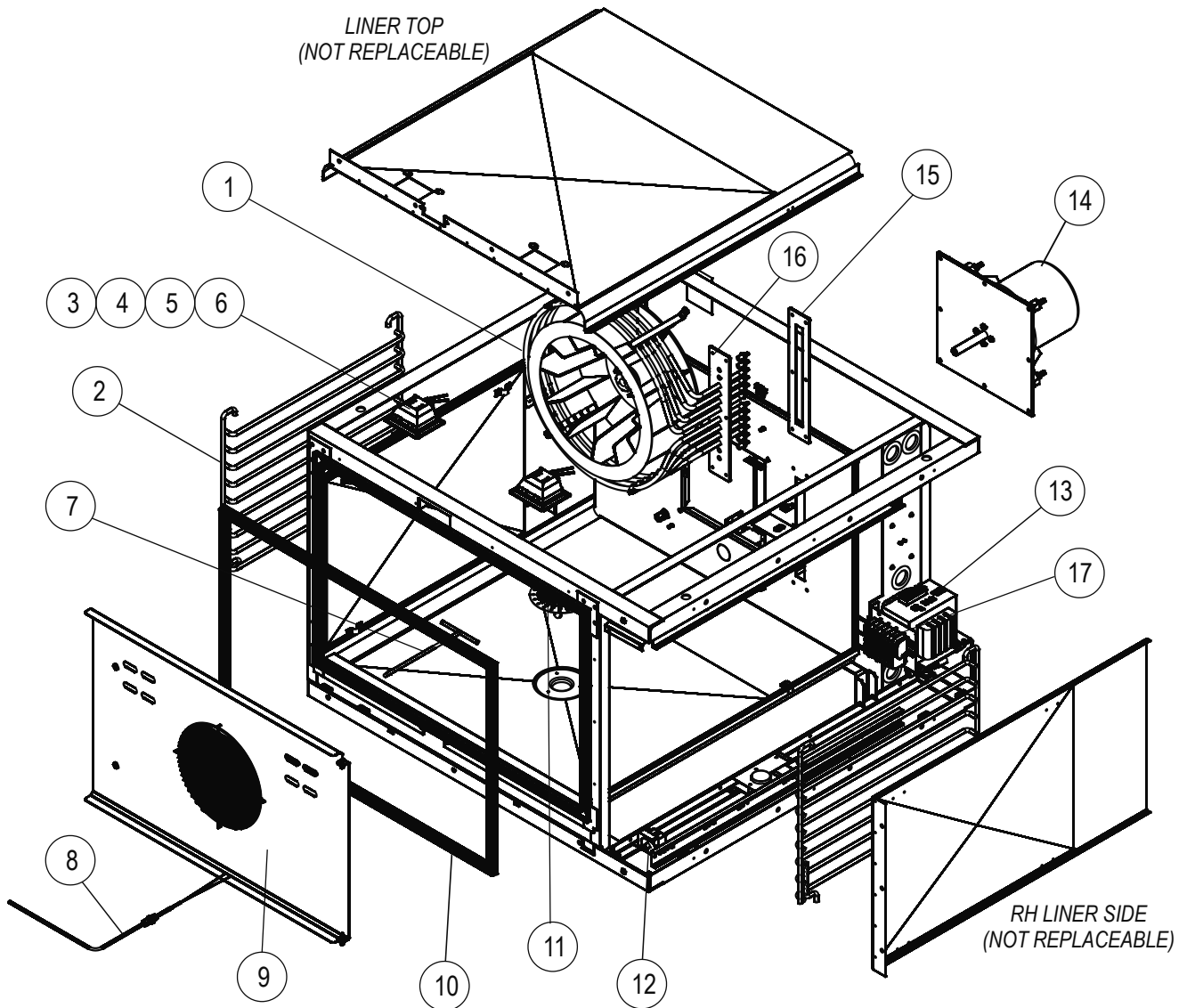


For HV-100E Ovens (Serial Letter Code KE or KC)

Ref. No.	Part No.	Description	Ref. No.	Part No.	Description
1	55528	LH OUTER DOOR (COMPLETE AS SHOWN)	6	57953	DOOR TURNBUCKLE
1	55542	RH OUT DOOR (COMPLETE AS SHOWN)		52514	DOOR SWITCH
2	51534	LH INNER GLASS	7	55531	LH FRONT GLASS
	51556	RH INNER GLASS	8	55532	RH FRONT GLASS
3	58939	LATCH ASSY, RECT, LH	9	55533	CENTER TRIM
4	58938	LATCH ASSY, RECT, RH		51610	CENTER DOOR GASKET
5	55608	DOOR HANDLE		60185	BUMPER (SCREW IN STYLE)
				51519	CLIP, DOOR GLASS

INTERIOR COMPONENTS - FRONT VIEW

FOR HV-100E OVENS (MANUFACTURED BEFORE 1/20/2017)



INTERIOR COMPONENTS - FRONT VIEW

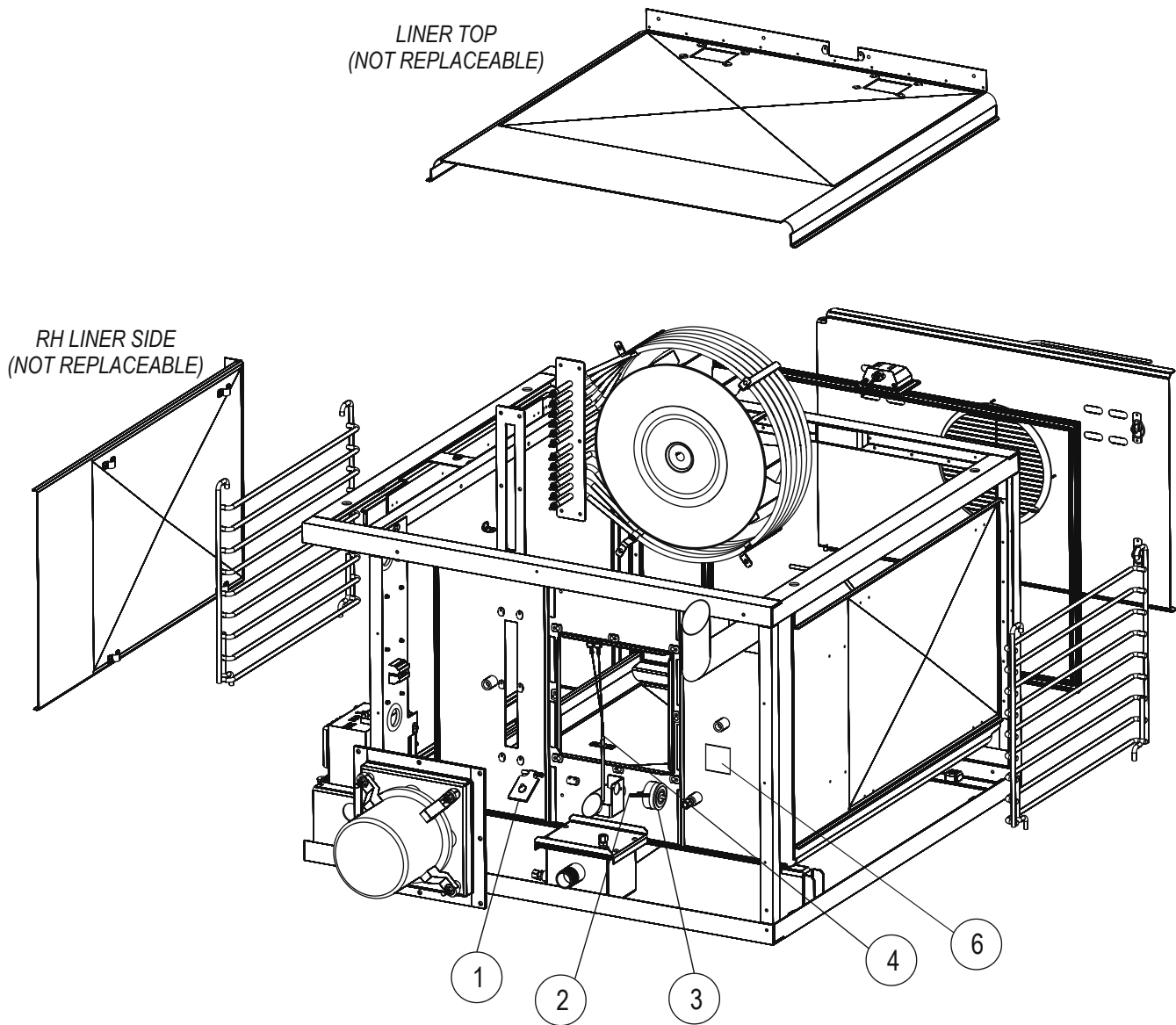
FOR HV-100E OVENS (MANUFACTURED BEFORE 1/20/2017)

For HV-100E Ovens (Serial Letter Code KE or KC)

Ref. No.	Part No.	Description	Ref. No.	Part No.	Description
1	52958	BLOWER WHEEL WITH KEY\ (BEFORE 6/21/12)	9	52321	BAFFLE (BEFORE 6/21/12)
1	55303	BLOWER WHEEL WITH KEY\ (AFTER 6/21/12)	9	54863	BAFFLE (AFTER 6/21/12 & BEFORE 11/12/13)
2	54856	SIDE RACK SUPPORT (SET OF 2)	9	57496	BAFFLE (AFTER 11/11/13)
	59046	WIRE RACK	10	52716	PERIMETER GASKET
3	D0128	LIGHT BULB FOR SQUARE LIGHT, TYPE G4 .16" BETWEEN PINS	11	50506	DRAIN STRAINER
	57075	LIGHT BULB FOR SQUARE LIGHT, TYPE G5.3 .21" BETWEEN PINS	12	36441	HIGH LIMIT THERMOSTAT
	53101	LIGHT BULB FOR ROUND LIGHT	13	51453	440-480V TRANSFORMER
4	50192	GLASS FOR SQUARE LIGHT	14	39333	MOTOR ASSEMBLY (BEFORE 6/21/12)
5	D0127	GASKET FOR SQUARE LIGHT	14	54293	MOTOR ASSEMBLY (AFTER 6/21/12)
6	D0125	BEZEL FOR SQUARE LIGHT	15	52304	ELEMENT GASKET
	53081	LENS & GASKETS FOR ROUND LIGHT	16	53280	14 kW, 208V ELEMENT ASSEMBLY AND GASKET KIT
	57058	HOUSING, SOCKET AND BULB FOR SQUARE LIGHT	16	53281	14 kW, 220/440V ELEMENT ASSEMBLY AND GASKET KIT
	53194	HOUSING, SOCKET AND BULB FOR ROUND LIGHT	16	53282	14 kW, 240/480V ELEMENT ASSEMBLY AND GASKET KIT
7	52957	WATER INJECTION TUBE AND FITTING KIT (BEFORE 6/21/12)	17	39733	TERMINAL BLOCK
8	53007	CAVITY TEMPERATURE PROBE AND FITTING KIT		53101	HALOGEN BULB, 12V 20W GY6 .35"
				58996	FRONT CAVITY VENT GASKET

INTERIOR COMPONENTS - REAR VIEW

FOR HV-100E OVENS (MANUFACTURED BEFORE 1/20/2017)

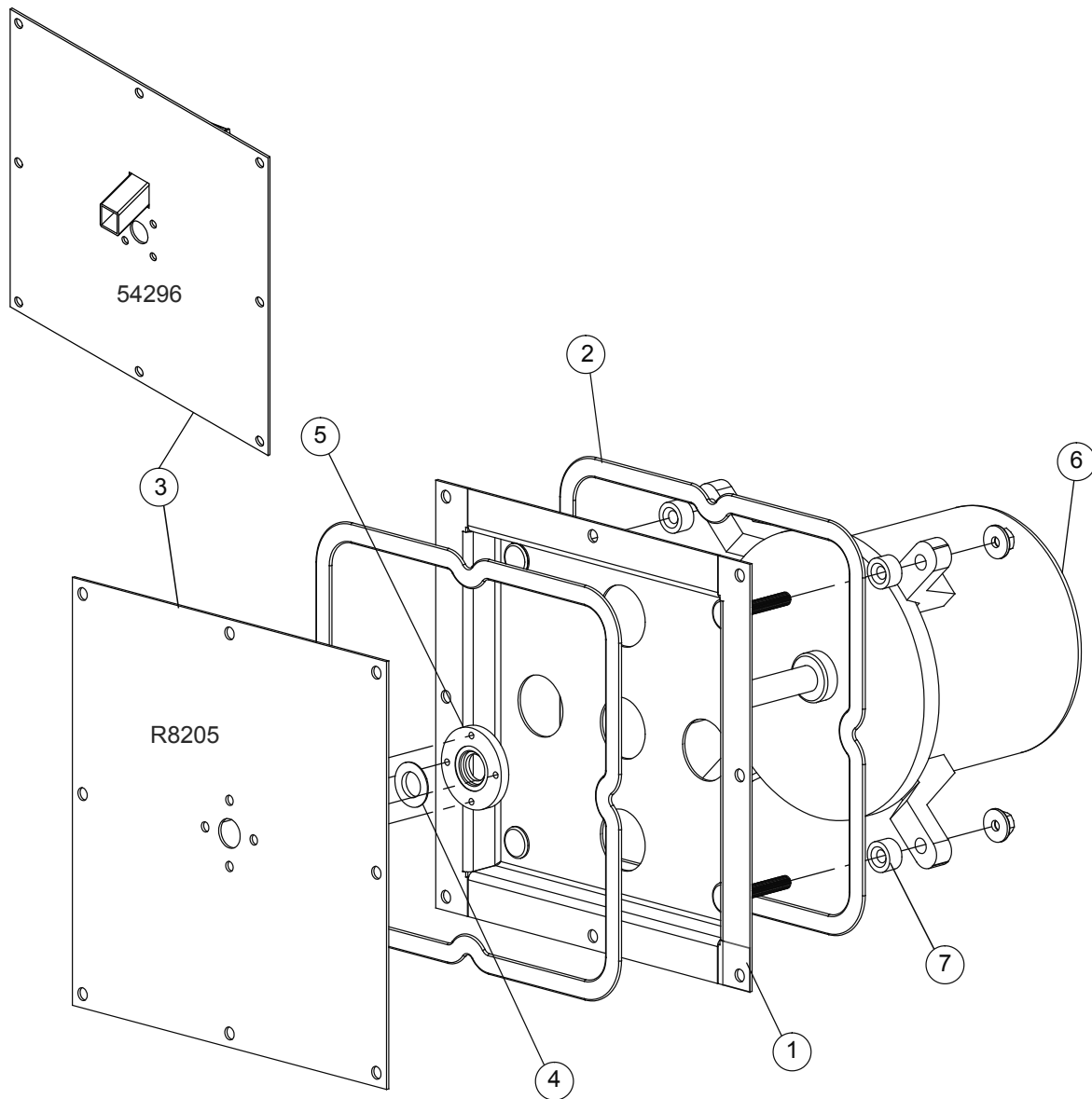


For HV-100E Ovens (Serial Letter Code KE or KC)

Ref. No.	Part No.	Description	Ref. No.	Part No.	Description
1	50204	VENT LID ASSEMBLY (BEFORE 6/21/12)	3	53008	CAVITY VENT SOLENOID
1	55024	VENT LID ASSEMBLY W/COUPLING (AFTER 6/21/12)	4	36720	QUENCH PROBE
2	39329	SHAFT COUPLING (BEFORE 6/21/12)	6	58992	GASKET & COVER
2	55025	SHAFT COUPLING (AFTER 6/21/12)			

MOTOR

FOR HV-100E OVENS (MANUFACTURED BEFORE 1/20/2017)

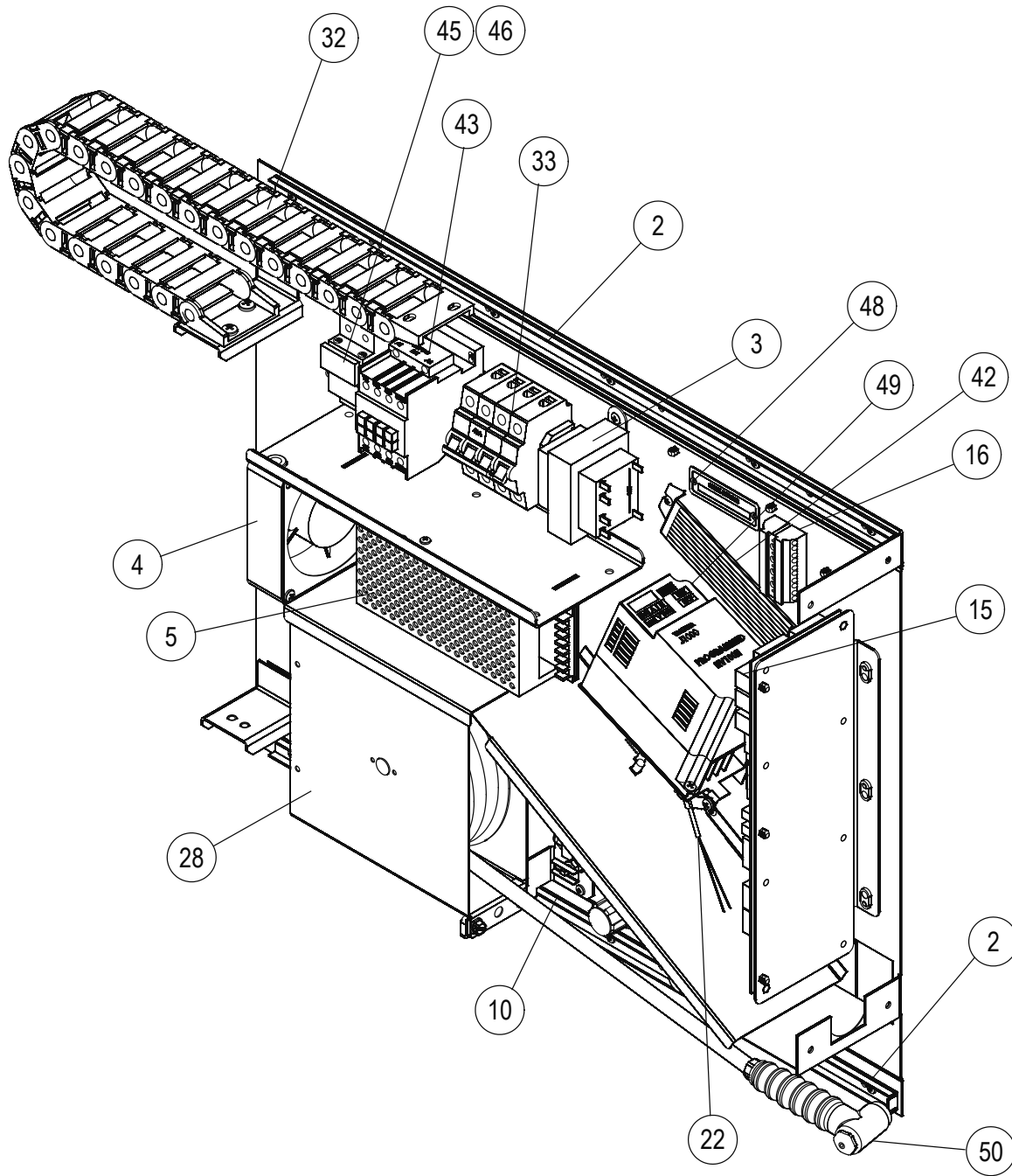


For HV-100E Ovens (Serial Letter Code KE or KC)

Ref. No.	Part No.	Description	Ref. No.	Part No.	Description
1	39448	MOTOR MOUNT ASSEMBLY (BEFORE 6/21/12)	3	54296	PLATE, FAN BRACKET COVER (AFTER 6/21/12)
1	54294	MOTOR MOUNT ASSY (AFTER 6/21/12)	4	R4244	SHAFT SEAL
2	56956	MOTOR MOUNT GASKET	5	R8955	SEAL RETAINER
3	R8205	PLATE, FAN BRACKET COVER (BEFORE 6/21/12)	6	55301	MOTOR, 220V, 1/2 HP WITH KEY
			7	R1971	SPACER, RACK GUIDE (QTY 4)

ELECTRICAL PANEL

FOR HV-100E OVENS (MANUFACTURED BEFORE 1/20/2017)



ELECTRICAL PANEL

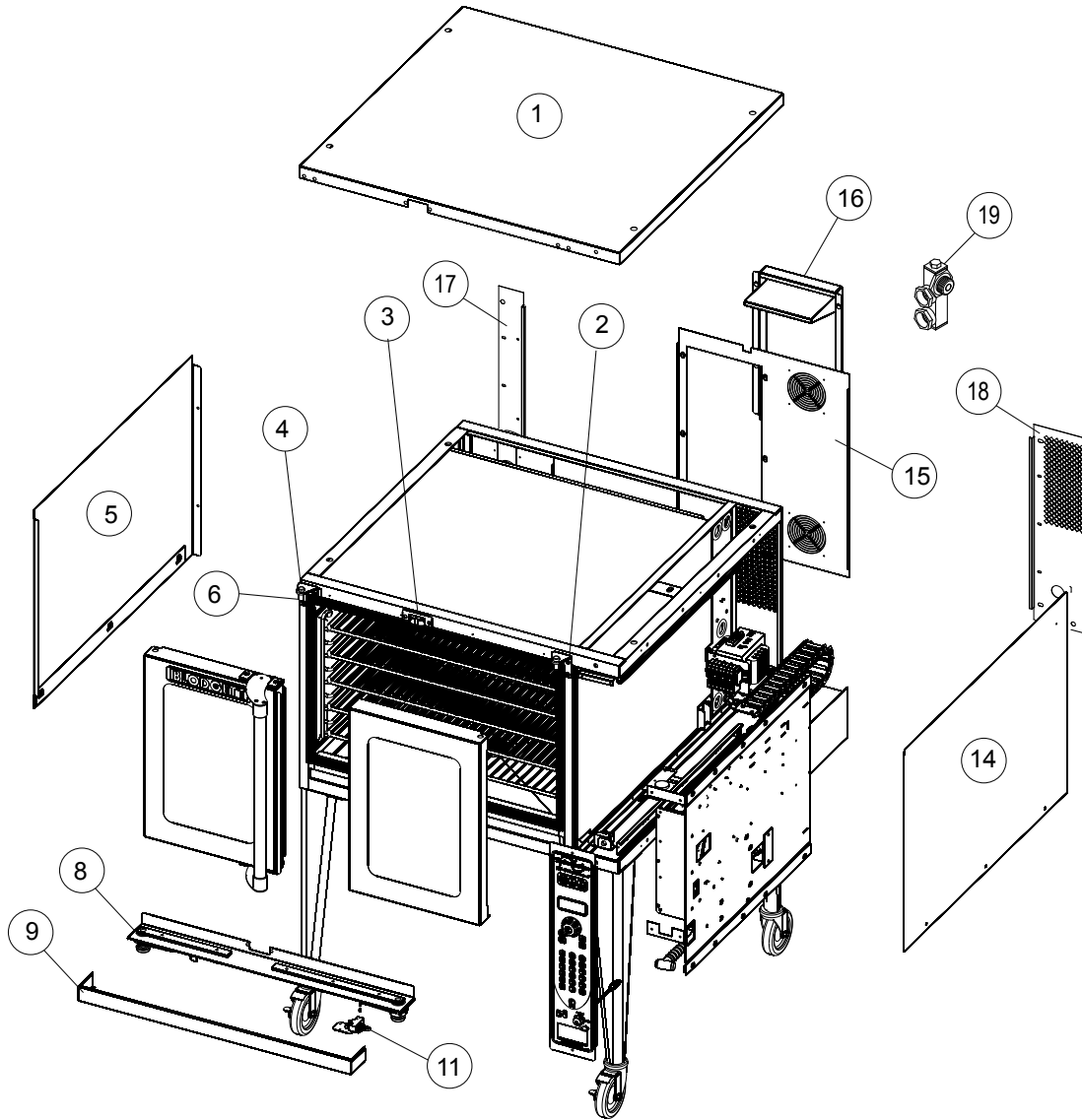
FOR HV-100E OVENS (MANUFACTURED BEFORE 1/20/2017)

For HV-100E Ovens (Serial Letter Code KE or KC)

<u>Ref. No.</u>	<u>Part No.</u>	<u>Description</u>	<u>Ref. No.</u>	<u>Part No.</u>	<u>Description</u>
2	51588	DRAWER SLIDE, MOVING		39120	RELAY, SOLID STATE (BEFORE 6-15-2009)
3	24356	TRANSFORMER, 120V TO 24V 80VA			
4	52947	AXIAL FAN, 4" (24V)	45	51454	FUSE HOLDER, 440-480V ONLY
5	52946	24VDC POWER SUPPLY	46	51455	FUSE, 7A 600V, 440-480V ONLY
	M3166	FUSE, POWER SUPPLY	49	52680	INVERTER DRIVE, PROGRAMMED HV100E
10	58533	ASSY, WATER MANIFOLD		57681	INVERTER DRIVE, PROGRAMMED DUNKIN DONUTS
	58350	FLOW VALVE AFTER 5-15-2015			
15	54380	INTERFACE BOARD, MANUAL OR MENUSELECT CONTROLS	50	52998	HOSE REEL NOZZLE
	53206	INTERFACE BOARD, TOUCHSCREEN CONTROLS (BEFORE 11/8/13)		52663	WATER TUBING KIT (CONSISTS OF 6' OF EACH COLOR TUBING)
	57727	INTERFACE BOARD, TOUCHSCREEN CONTROLS (AFTER 11/8/13)		51016	HARNES, INVERTER DRIVE
16	50952	TERMINAL BLOCK, 5 POSITION PUSH IN		51616	FITTING, 1/4NPT X 1/4 TUBE PUSH-IN
22	51516	PROBE, 3/16" DIA. 100 OHM RTD		52351	BLUE POLYURETHANE TUBING (BY THE INCH)
28	51605	ASSY, MINIATURE HOSE REEL		53902	NOISE FILTER
32	52292	2" WIDE CABLE CARRIER			
33	53271	50A CIRCUIT BREAKER 208-240V (14 KW ELEMENT)			
33	52446	25A CIRCUIT BREAKER 440-480V (14 KW ELEMENT)			
42	52706	RESISTOR, MOTOR BRAKING			
43	52717	CONTACTOR, 3 PHASE, 60A, 24VDC COIL FOR 12 KW ELEMENT(AFTER 6-15-2009)			

EXTERIOR COMPONENTS

FOR HV-100E OVENS (MANUFACTURED BEFORE 1/20/2017)



For HV-100E Ovens (Serial Letter Code KE or KC)

Ref. No.	Part No.	Description	Ref. No.	Part No.	Description
1	51253	BODYTOP		58329	CENTER BODY BACK, AFTER 5/4/2015
2	51082	RH HINGE	16	57104	BODYBACK ACCESS PANEL, BEFORE 5/4/2015
3	57889	DOOR CATCH (TOP AND BOTTOM)		58597	BODYBACK ACCESS PANEL, AFTER 5/4/2015
4	51081	LH HINGE	17	51255	RH BODYBACK BEFORE 5/4/2015
5	52479	LH BODYSIDE		58331	RH BODYBACK AFTER 5/4/2015
6	51591	HINGE PIN (LEFT AND RIGHT)	18	51254	LH BODYBACK BEFORE 5/4/2015
8	57953	TURNBUCKLE ASSEMBLY		58330	LH BODYBACK AFTER 5/4/2015
9	51698	FRONT TRIM	19	54715	WATER MANIFOLD ASSEMBLY
11	52514	DOOR SWITCH ASSEMBLY			
14	51105	RH BODYSIDE			
15	51651	CENTER BODY BACK, BEFORE 5/4/2015			

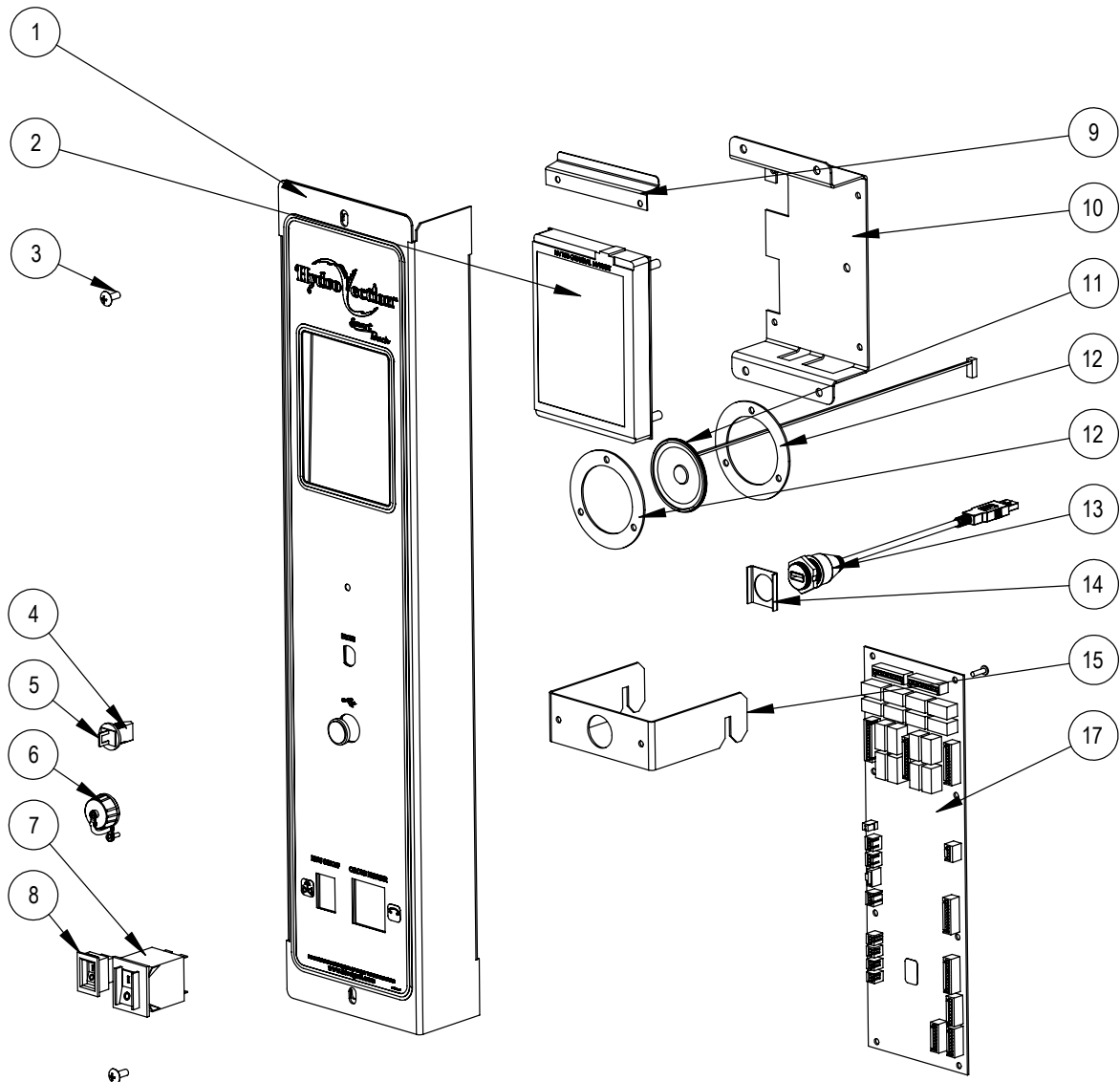
HV-100E-AB OVENS

SERIAL LETTER CODE "KL"

(All Full Size Hydrovection ovens manufactured after 1/20/2017)

SMARTTOUCH CONTROL

FOR HV-100E-AB OVENS (MANUFACTURED AFTER 1/20/2017 AND BEFORE 8/1/2017 FOR GENERAL MARKET OR AFTER 1/20/2017 AND BEFORE 9/1/2018 FOR DUNKIN DONUTS)



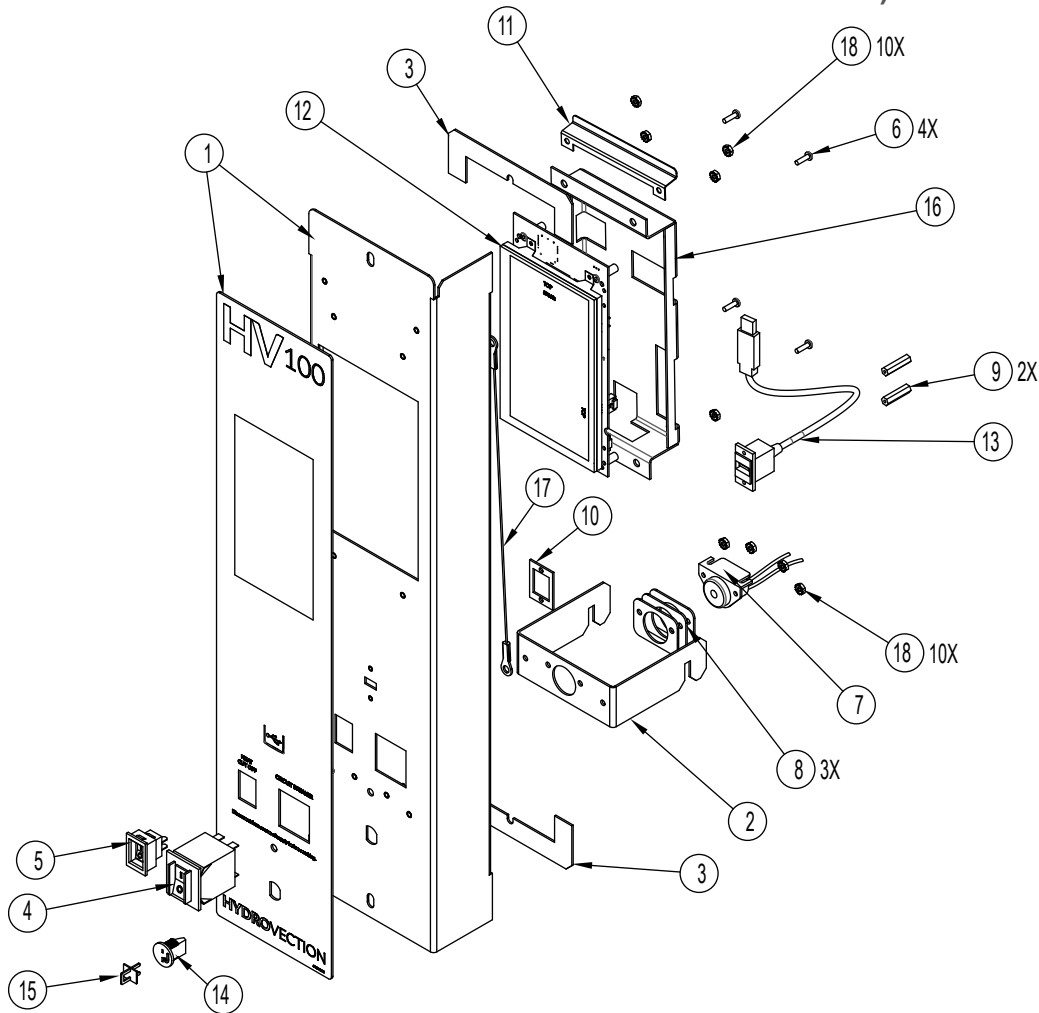
For HV-100E Ovens (Serial Letter Code KL)

Ref. No.	Part No.	Description
1	59205	PANEL & DECAL
2	59148	TOUCH SCREEN, HV100
	59519	TOUCH SCREEN, HV100, DUNKIN DONUTS
	59521	TOUCH SCREEN, HV100, LUCILLE'S BBQ
3	16384	10-24 X 1/2 TRUSS HEAD SCREW
4	39781	MEAT PROBE JACK
5	39782	MEAT PROBE JACK PLUG
6	52161	COVER, USB
7	39688	CIRCUIT BREAKER, 20A
8	36376	SWITCH, GAS, ON/OFF

Ref. No.	Part No.	Description
9	52806	DEFLECTOR
10	53986	TOUCH SCREEN FRAME
11	59777	SPEAKER KIT, W/RETAINERS
12	59616	SPEAKER RETAINER
13	52160	USB CABLE
14	52600	SPACER, USB PORT
15	58918	BRACKET, HANGING HV100
16	54330	COMMUNICATION CABLE, HV100 TS
17	57727	RELAY BOARD, TOUCH SCREEN
	59080	CONTROL PANEL ASSEMBLY, COMPLETE AS SHOWN (WITHOUT RELAY BOARD)

SMARTTOUCH 2 CONTROL

FOR HV-100E-AB OVENS (MANUFACTURED AFTER 8/1/2017,
OR AFTER 9/1/2018 FOR DUNKIN DONUTS)

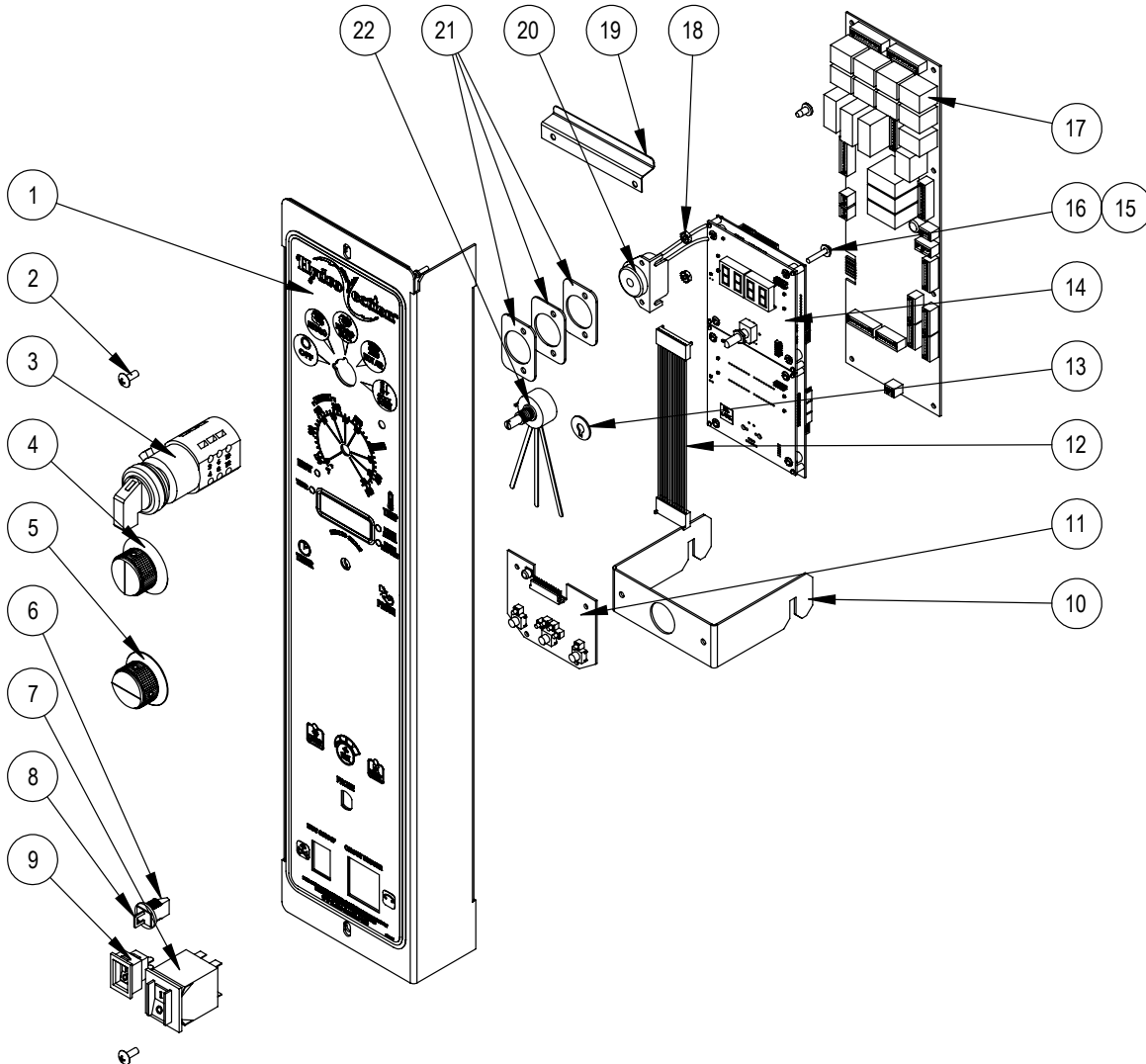


For HV-100E Ovens (Serial Letter Code KL)

Ref. No.	Part No.	Description	Ref. No.	Part No.	Description
1	59855	PANEL & DECAL ASSY		59718	CONTROL, TS DD
2	58918	HANGING BRACKET	13	59565	USB CABLE
3	R4872	GASKET, TILT PANEL, BY THE INCH	14	39781	MEAT PROBE JACK
4	39688	CIRCUIT BREAKER, 20A	15	39782	MEAT PROBE JACK PLUG
5	36376	GAS ON/OFF SWITCH	16	59348	TOUCH SCREEN BRACKET
6	34478	SCREW, 6-32 X 0.5 SELF TAPPING	17	20043	12" STRAIN RELIEF
7	53759	BUZZER	18	M3367	NUT, 6-32 KEPS
8	53921	BUZZER SPACER	19	59032	HARNESS, HV FRONT LINE (NOT SHOWN)
9	59434	STANDOFF #4-40 X1"	20	54330	COM CABLE, 20", TOUCHSCREEN (NOT SHOWN)
10	59280	USB SPACER	21	59542	HARNESS, BEEPER, ADDER (NOT SHOWN)
11	59349	DEFLECTOR BRACKET	22	59029	HARNESS, HV FRONT TS DIGI (NOT SHOWN)
12	59360	CONTROL, TS, HV100			
12	59812	CONTROL, TS, HV100 K12			
12	59720	CONTROL, TS LBBQ			
12	59719	CONTROL, TS LSH			

MANUAL CONTROL

FOR HV-100E-AB OVENS (MANUFACTURED AFTER 1/20/2017 AND BEFORE 8/1/2017)

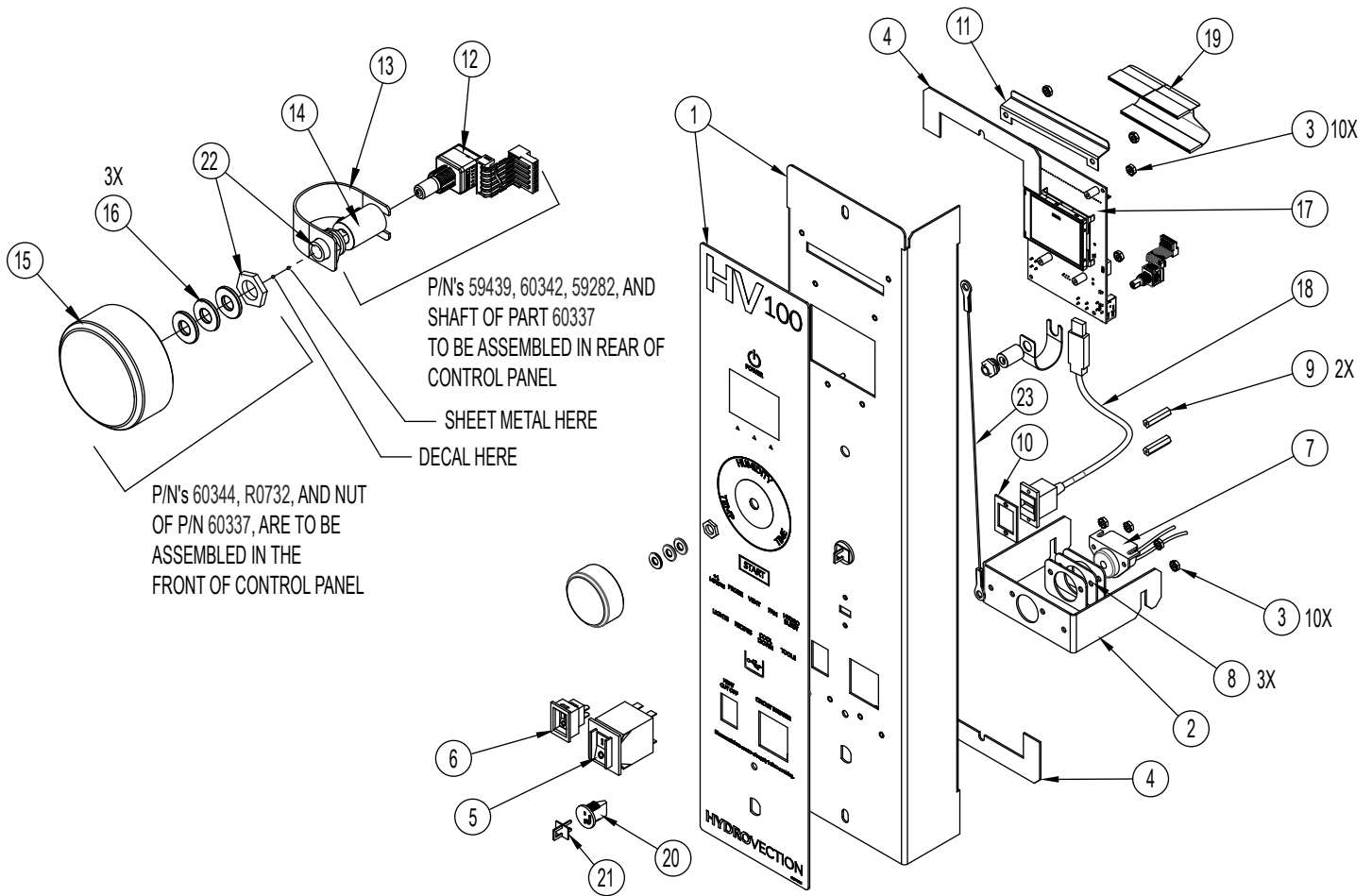


For HV-100E Ovens (Serial Letter Code KL)

Ref. No.	Part No.	Description	Ref. No.	Part No.	Description
1	59206	PANEL & DECAL	13	54340	ENCODER SUPPORT SPACER
2	16384	10-24 X 1/2 TRUSS HEAD SCREW	14	59150	PROGRAMMED CONTROL, HV100 MANUAL
3	52466	ROTARY SWITCH, 5 POSITION	15	M1421	#6 WASHER
4	36616	KNOB, WITH ARROW	16	34480	#6-32 X 3/4 SCREW
5	36617	KNOB, NO ARROW	17	54380	INTERFACE BOARD, HV100 MANUAL
6	39781	MEAT PROBE JACK	18	M3367	6-32 NUT, KEPS
7	39688	CIRCUIT BREAKER, 20A	19	52806	DEFLECTOR
8	39782	MEAT PROBE JACK PLUG	20	53759	BUZZER
9	36376	GAS CUTOFF SWITCH	21	53921	BUZZER SPACER
10	58918	BRACKET, HANGING, HV100	22	18234	POTENTIOMETER
11	53157	3 BUTTON CIRCUIT BOARD	23	59078	MANUAL CONTROL, FULL ASSEMBLY AS SHOWN (WITHOUT INTERFACE BOARD)
	54075	COMMUNICATION CABLE (NOT SHOWN)			
12	53344	MANUAL CONTROL CONNECTOR HARNESS			

PROGRAMMABLE MANUAL CONTROL

FOR HV-100E-AB OVENS (MANUFACTURED AFTER 8/1/2017)

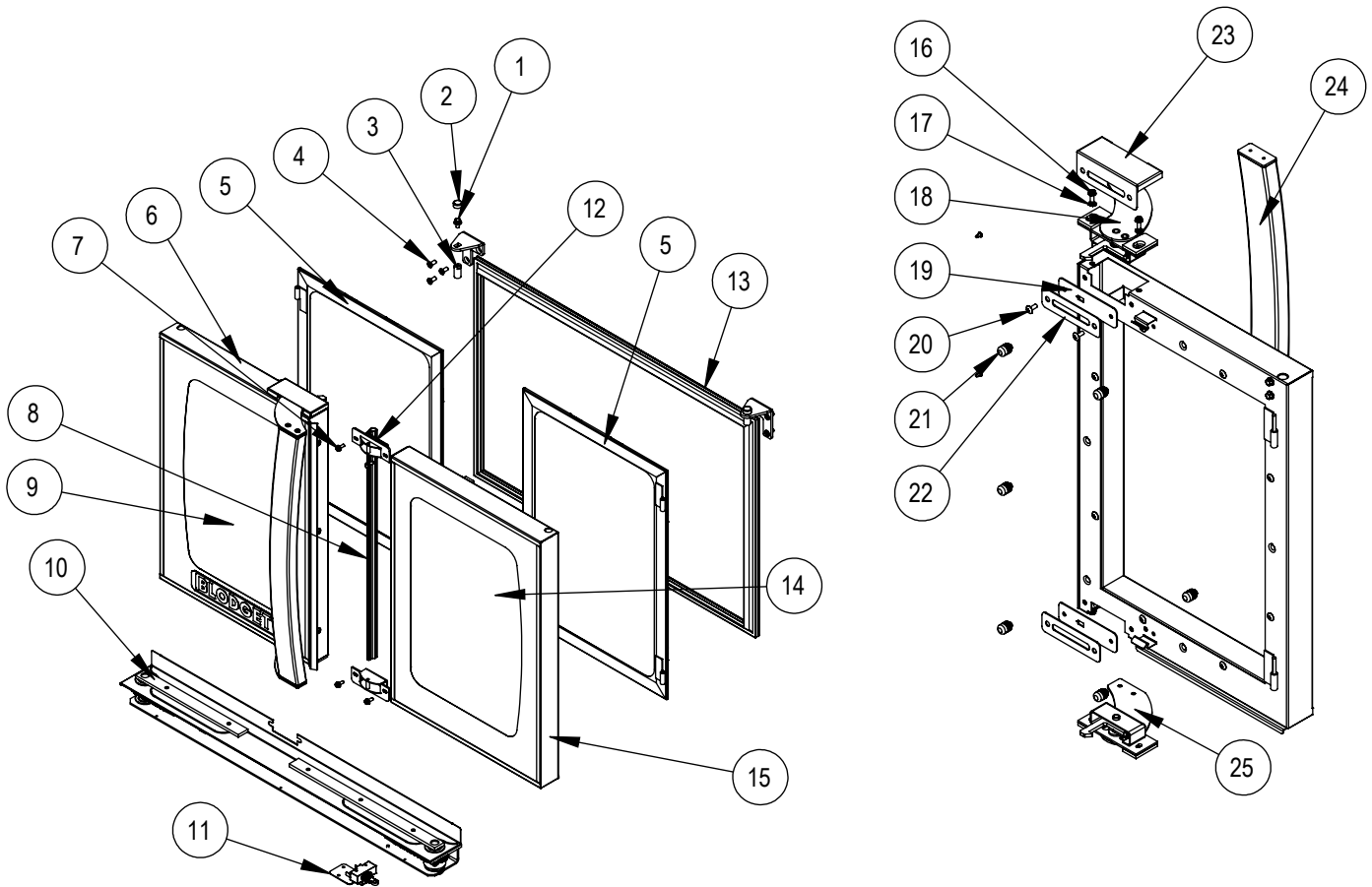


For HV-100E Ovens (Serial Letter Code KL)

Ref. No.	Part No.	Description	Ref. No.	Part No.	Description
1	59854	PANEL & DECAL ASSY	16	R0732	#10 WASHER
2	58918	HANGING BRACKET	17	59366	CONTROL, MANUAL HV100
3	M3367	NUT, 6-32 KEPS	17	59817	CONTROL, MANUAL HV100, K12
4	R4872	TILT PANEL, GASKET, BY THE INCH	18	59565	USB CABLE
5	39688	CIRCUIT BREAKER, 20A	19	59709	CABLE, CONNECTING CONTROL
6	36376	GAS ON/OFF SWITCH	20	39781	MEAT PROBE JACK
7	53759	BUZZER	21	39782	MEAT PROBE PLUG
8	53921	BUZZER SPACER	22	60337	SHAFT LEAD-IN
9	59434	STANDOFF #4-40 X 1"	23	20043	12" STRAIN RELIEF
10	59280	USB SPACER	54330		COM CABLE, 20", TOUCHSCREEN (NOT SHOWN)
11	59349	DEFLECTOR BRACKET	59032		HARNESS, HV FRONT LINE (NOT SHOWN)
12	59282	ENCODER	59552		HARNESS, HV100 AB, MANUAL, FRONT (NOT SHOWN)
13	60342	PLASTIC BRACE			
14	59439	COUPLING, 1/4" SET SCREW			
15	60344	KNOB, ENCODER			

DOORS

FOR HV-100E-AB OVENS (MANUFACTURED AFTER 1/20/2017)

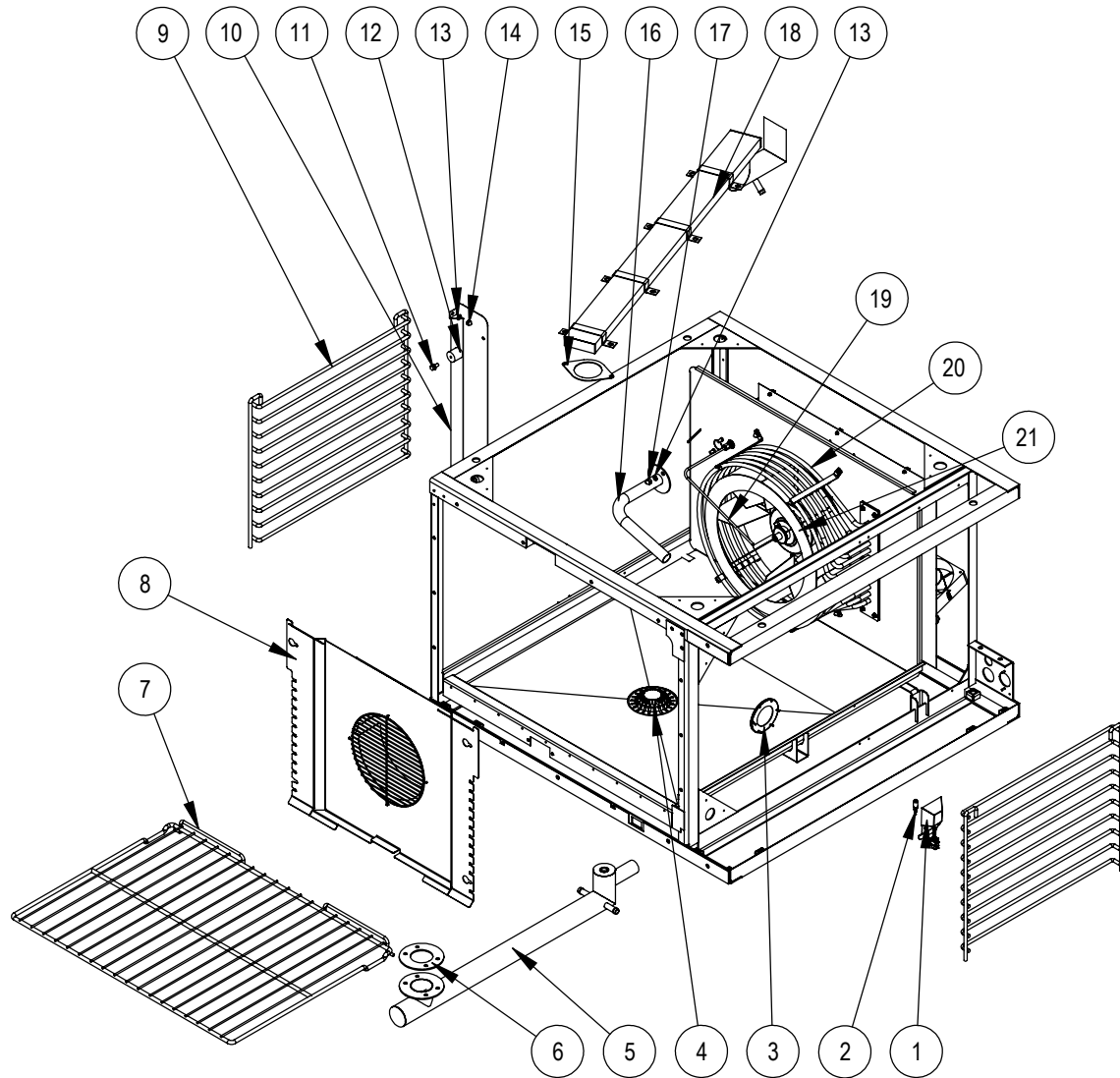


For HV-100E Ovens (Serial Letter Code KL)

Ref. No.	Part No.	Description	Ref. No.	Part No.	Description
1	52447	DOOR PIN BOLT	14	59006	FRONT GLASS, RH
2	52666	HEX BOLT CAP	15	59141	DOOR ASSEMBLY, RH (COMPLETE AS SHOWN)
3	51591	PIN, DOOR	16	M6315	10-24 X 1/2 HEX WASHER HEAD SCREW
4	M1118	SCREW, 1/4-20 X 5/8, FLAT HEAD	17	16479	LOCK WASHER, EXTERNAL TOOTH
5	59013	ASSY, INNER GLASS	18	58939	LATCH ASSY, RECT, TOP
6	59140	DOOR ASSEMBLY, LH (COMPLETE AS SHOWN)	19	55537	GASKET, DOOR LATCH
7	57725	10-24 X 1/2 SERRATED HEX FLANGE	20	16384	10-24 X 1/2 TRUSS HEAD SCREW
8	51610	GASKET, CENTER DOOR	21	61036	RUBBER BUMPER
9	59007	FRONT GLASS, LH	22	55536	PLATE, LATCH COVER
10	57953	ASSY, DOOR TURNBUCKLE	23	59018	COVER, LATCH, HV100
11	52514	ASSEMBLY, DOOR SWITCH	24	55608	DOOR HANDLE, HV100
12	58824	LATCH CATCH ASSY	25	58938	LATCH ASSY, RECT, BOTTOM
13	52716	GASKET, HV100 PERIMETER BLADE			

INTERIOR COMPONENTS

FOR HV-100E-AB OVENS (MANUFACTURED AFTER 1/20/2017)

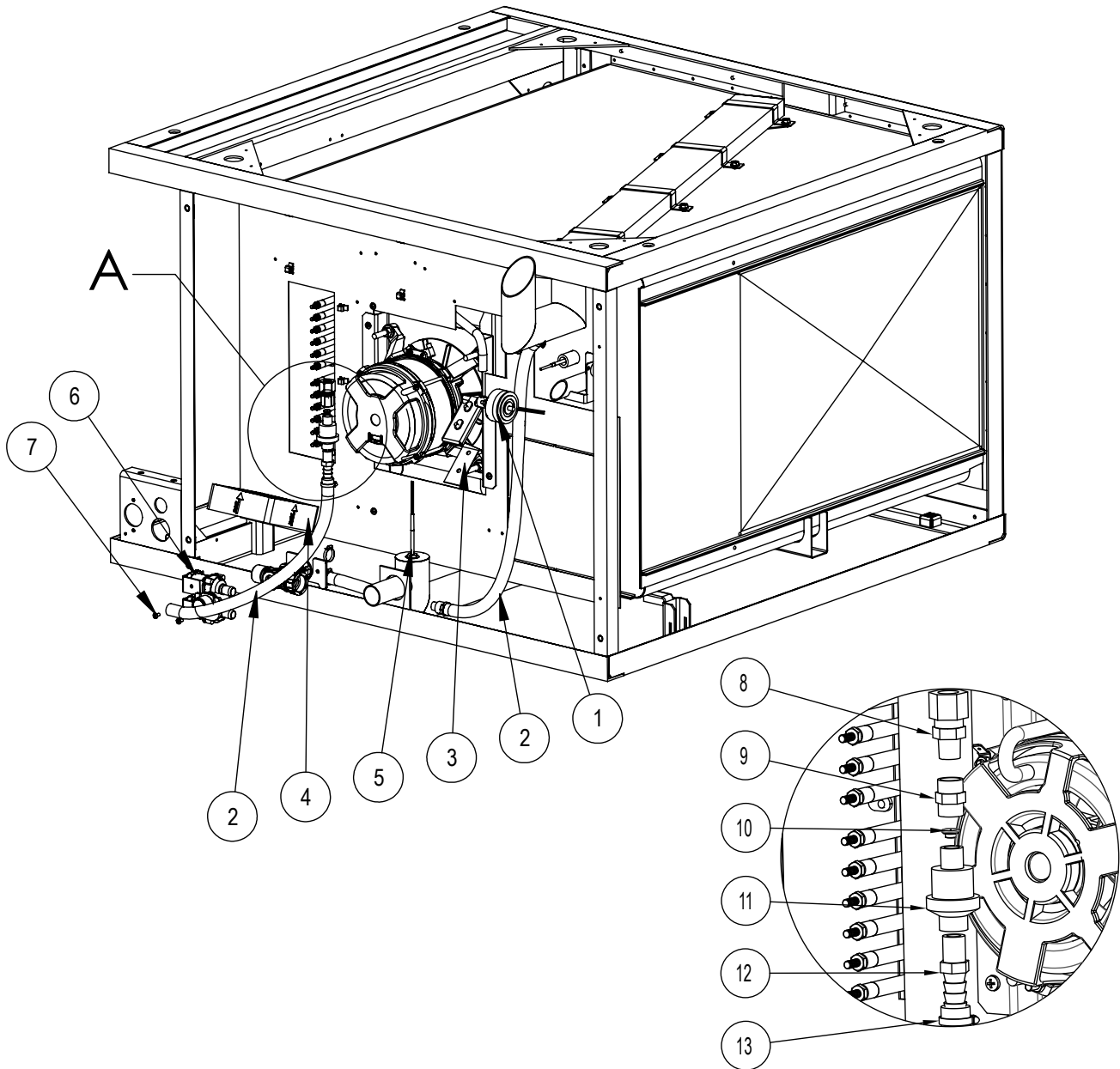


For HV-100E Ovens (Serial Letter Code KL)

<u>Ref. No.</u>	<u>Part No.</u>	<u>Description</u>	<u>Ref. No.</u>	<u>Part No.</u>	<u>Description</u>
1	53194	LAMP HOUSING ASSEMBLY	13	M0417	LOCK WASHER, 1/4"
2	53101	HALOGEN BULB	14	R0712	10-24 ACORN NUT
3	53081	BEZEL, GASKET & LENSE ASSEMBLY	15	58998	GASKET, LINER VENT
4	39336	COVER, DRAIN	16	55020	CAVITY VENT
5	59154	DRAIN ASSEMBLY	17	11596	1/4-20 LOW PROFILE ACORN NUT
6	59162	GASKET, DRAIN	18	58866	VENT ASSEMBLY, HV100
7	59046	WIRE RACK	19	53007	CAVITY TEMP PROBE
8	58864	BAFFLE, HV100E	20	53280	208V ELEMENT KIT
9	59047	SIDE RACK SUPPORT	20	53281	220/240V ELEMENT KIT
10	58865	BEFFLE, SIDE SUPPORT	20	53282	240/480V ELEMENT KIT
11	M3615	10-24 X 1/2, FLANGE HEAD BOLT	21	55303	BLOWER WHEEL WITH KEY
12	58997	SPACER			

REAR COMPONENTS

FOR HV-100E-AB OVENS (MANUFACTURED AFTER 1/20/2017)

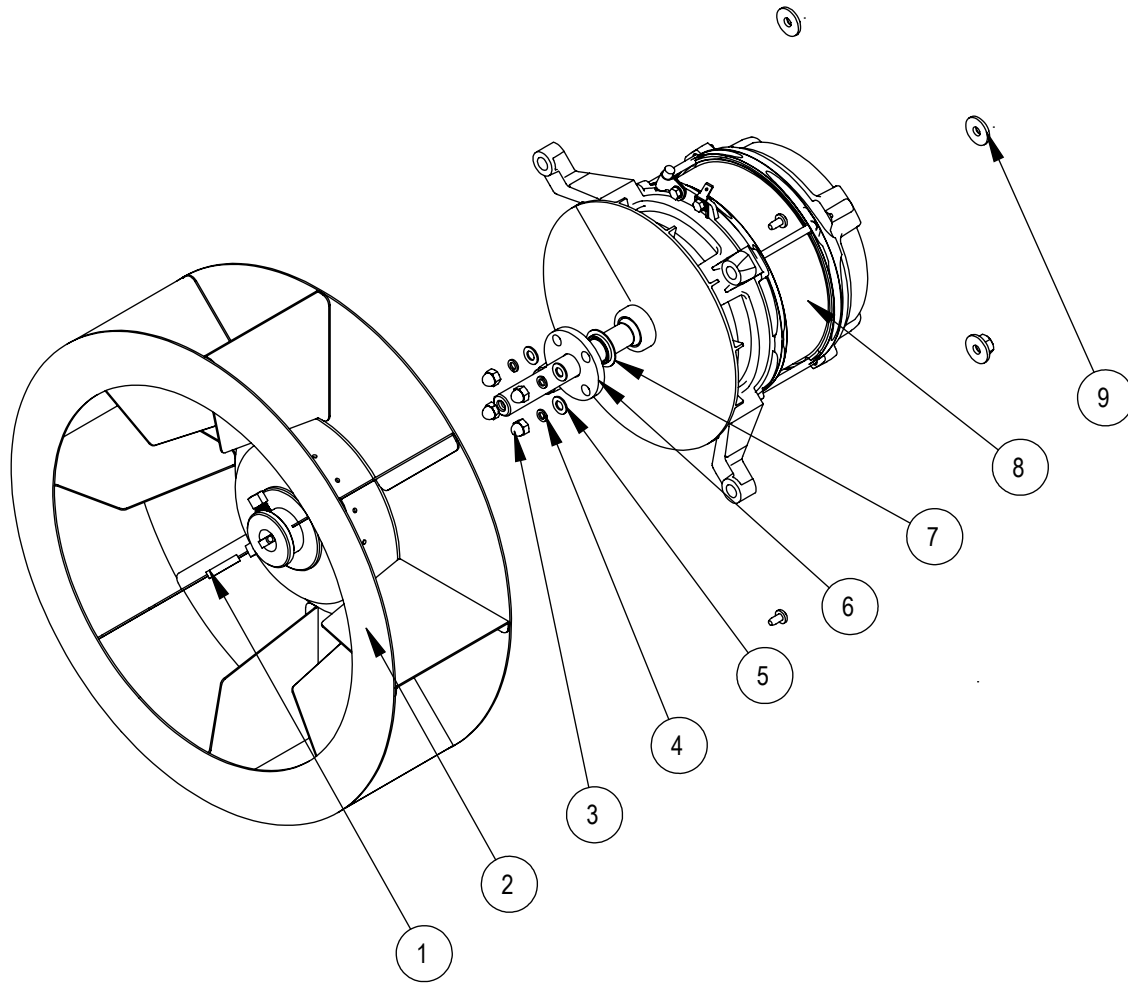


For HV-100E Ovens (Serial Letter Code KL)

Ref. No.	Part No.	Description	Ref. No.	Part No.	Description
1	39324	ROTARY SOLENOID	8	59333	COMPRESSION FITTING
2	58270	SILICONE HOSE (BY THE INCH)	9	59332	COUPLING
3	55023	VENT GASKET	10	58348	FLOW VALVE ORIFICE
4	52947	AXIAL FAN	11	58347	FLOW VALVE
5	58871	DRAIN TEMP PROBE	12	58884	FITTING, BARBED
6	59630	KIT, DUAL OUTPUT WATER VALVE	13	R0080	HOSE CLAMP
7	R1270	SCREW, M4-.7 X 10MM			

MOTOR ASSEMBLY

FOR HV-100E-AB OVENS (MANUFACTURED AFTER 1/20/2017)

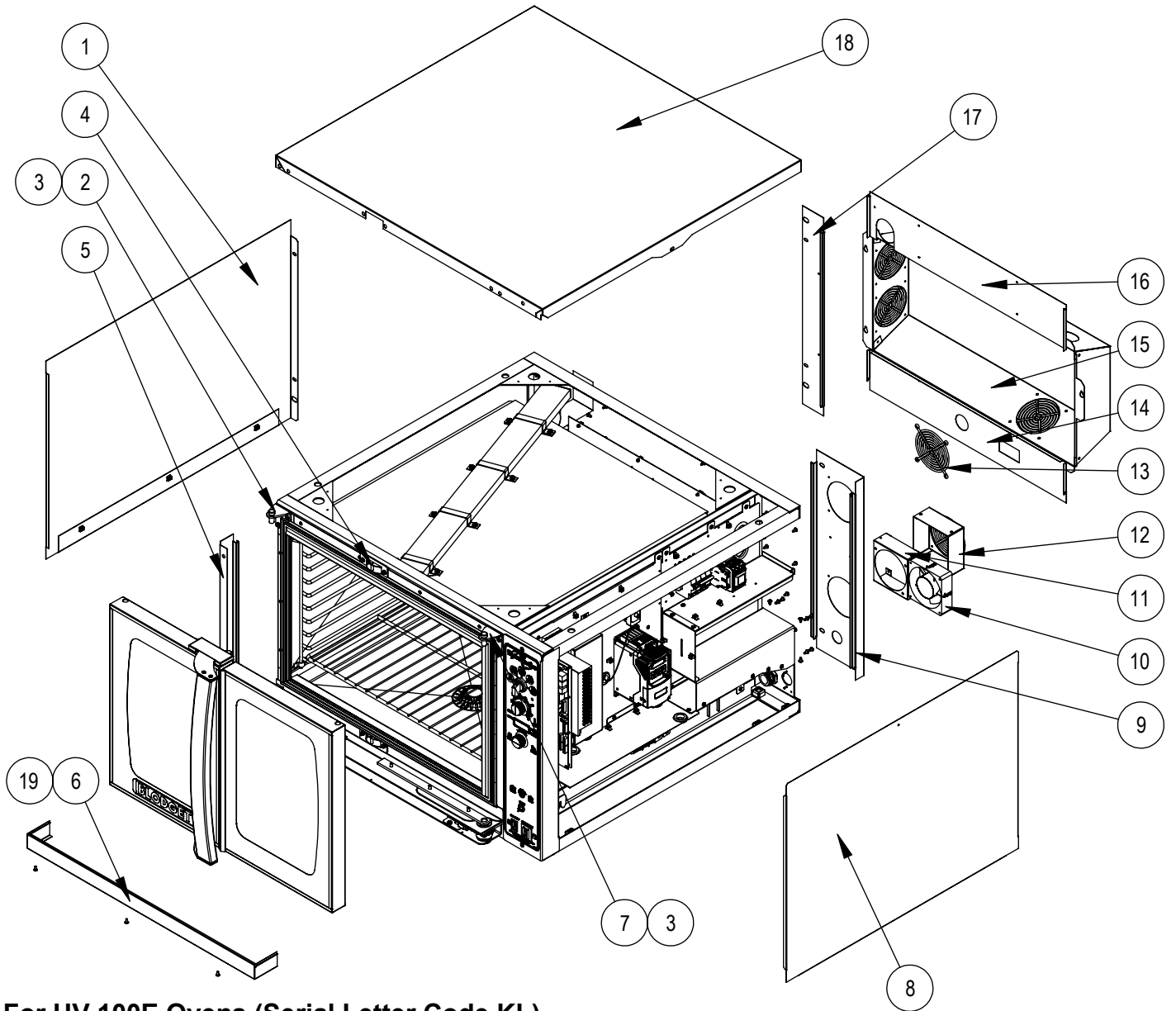


For HV-100E Ovens (Serial Letter Code KL)

Ref. No.	Part No.	<u>Description</u>	Ref. No.	Part No.	<u>Description</u>
1	54960	KEY, 3/16 X 1"	7	R4244	SHAFT SEAL
2	55303	BLOWER WHEEL	8	59909	CONVECTION MOTOR
3	R0712	ACORN NUT, 10-24	9	8628	5/16-18 SERRATED FLANGE NUT
4	R0726	LOCK WASHER, #10			
5	R0733	FLAT WASHER, #10			
6	59059	SHAFT SEAL RETAINER			

EXTERIOR COMPONENTS

FOR HV-100E-AB OVENS (MANUFACTURED AFTER 1/20/2017)

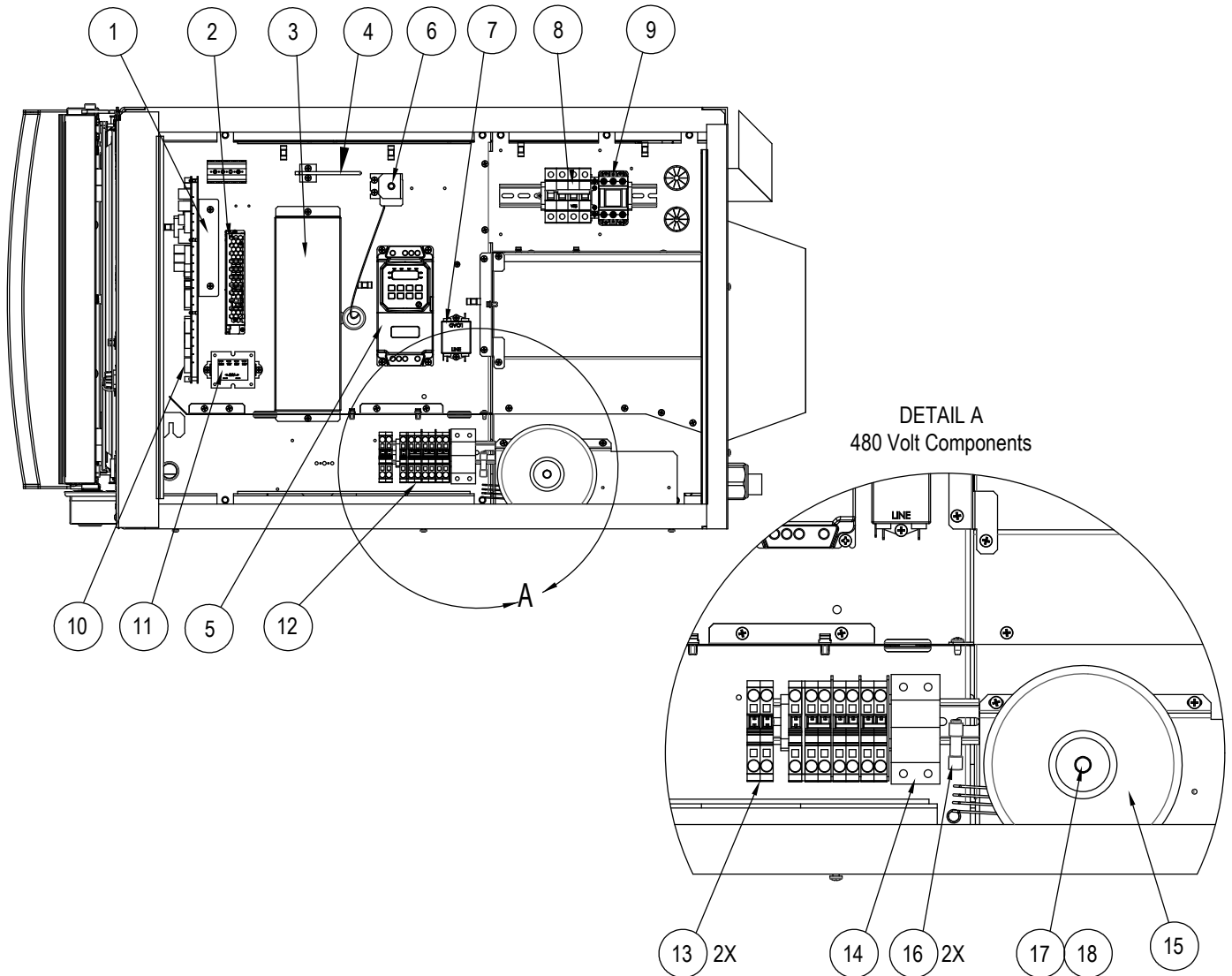


For HV-100E Ovens (Serial Letter Code KL)

Ref. No.	Part No.	Description	Ref. No.	Part No.	Description
1	58910	BODY SIDE, LEFT	11	58970	FAN MOUNT, HV100
2	51081	HINGE, LEFT	12	59020	FAN COVER, HV100
3	51590	HINGE PIN (LEFT & RIGHT)	13	M0571	FAN GUARD, 4"
4	58824	LATCH CATCH ASSEMBLY	14	59166	BODY BACK, CENTER BOTTOM
5	58902	FRONT TRIM, LEFT	15	59167	BODY BACK, ACCESS COVER
6	51698	TRIM, LOWER FRONT	16	59165	BODY BACK, CENTER TOP
7	51082	HINGE, RIGHT	17	58903	BODY BACK, RIGHT
8	58911	BODY SIDE, RIGHT	18	58901	BODY TOP
9	58978	BODY BACK, LEFT, ELECTRIC	19	16384	10-24 TRUSS HEAD SCREW
10	52947	AXIAL FAN			

ELECTRICAL COMPONENTS

FOR HV-100E-AB OVENS (MANUFACTURED AFTER 1/20/2017)

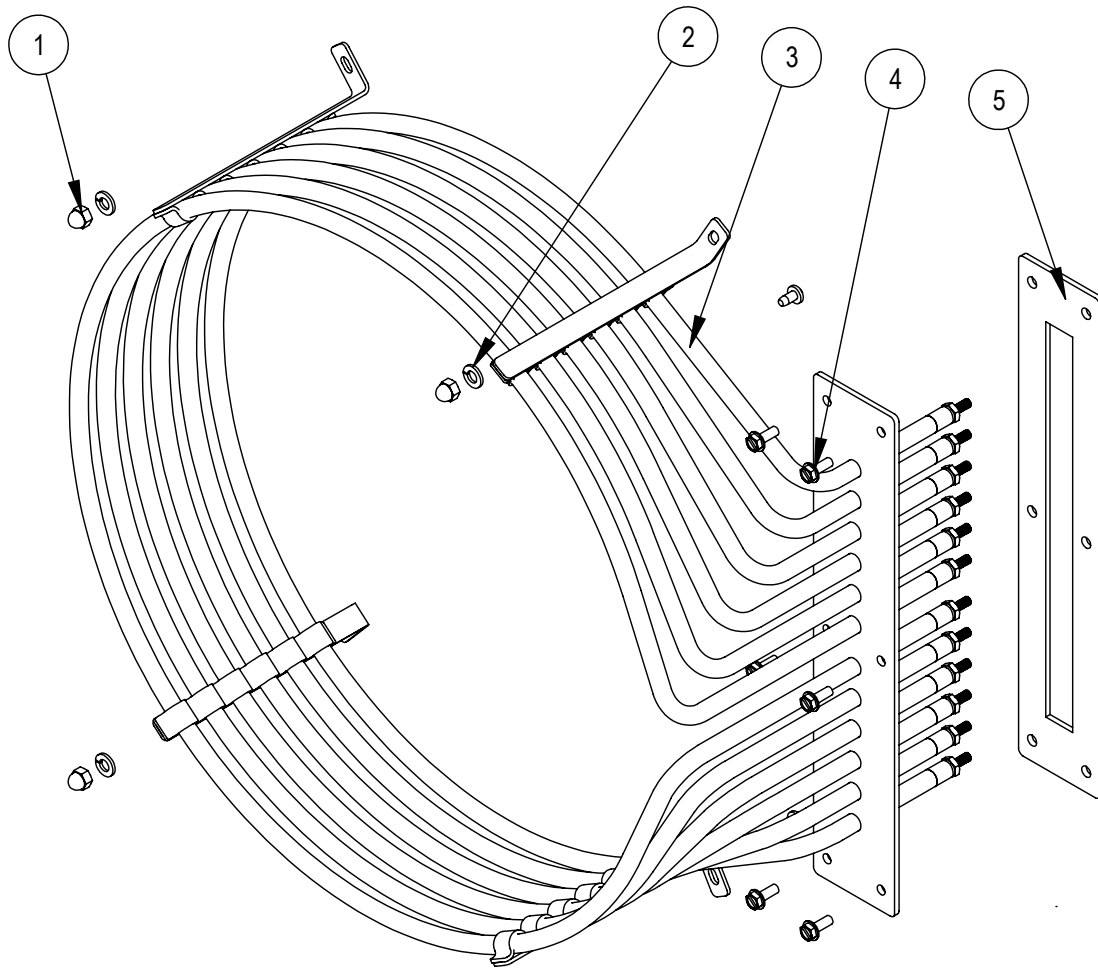


For HV-100E Ovens (Serial Letter Code KL)

Ref. No.	Part No.	Description	Ref. No.	Part No.	Description
1	53321	I/O BOARD BRACKET	10	54380	INTERFACE BOARD, HV100 MANUAL
2	59331	24VDC POWER SUPPLY	11	38303	TRANSFORMER, 40V A
3	58897	LIGHT ACCESS COVER	12	39733	MAIN POWER TERMINAL BLOCK W/ GROUND
4	56873	PROBE, 1K RTD	13	52201	TERMINAL BLOCK
5	59744	PROG. INVERTER (TS CTRL)	14	51454	FUSE HOLDER 600V, 30A
5	59743	PROG. INVERTER (MANUAL CTRL)	15	59201	TOROIDAL TRANSFORMER 480/240
6	36441	THERMOSTAT, HIGH LIMIT	16	51455	FUSE 600V, 7A
7	53902	EMI FILTER	17	56119	HEX HEAD CAP, 5/16" -18 x 3.5"
8	53271	CIRCUIT BREAKER 50A 3 POSITION	18	55642	WASHER, TOROIDAL MOUNTING
9	59049	CONTACTOR			
10	57727	RELAY BOARD, TOUCHSCREEN			

ELEMENT COMPONENTS

FOR HV-100E-AB OVENS (MANUFACTURED AFTER 1/25/2017)



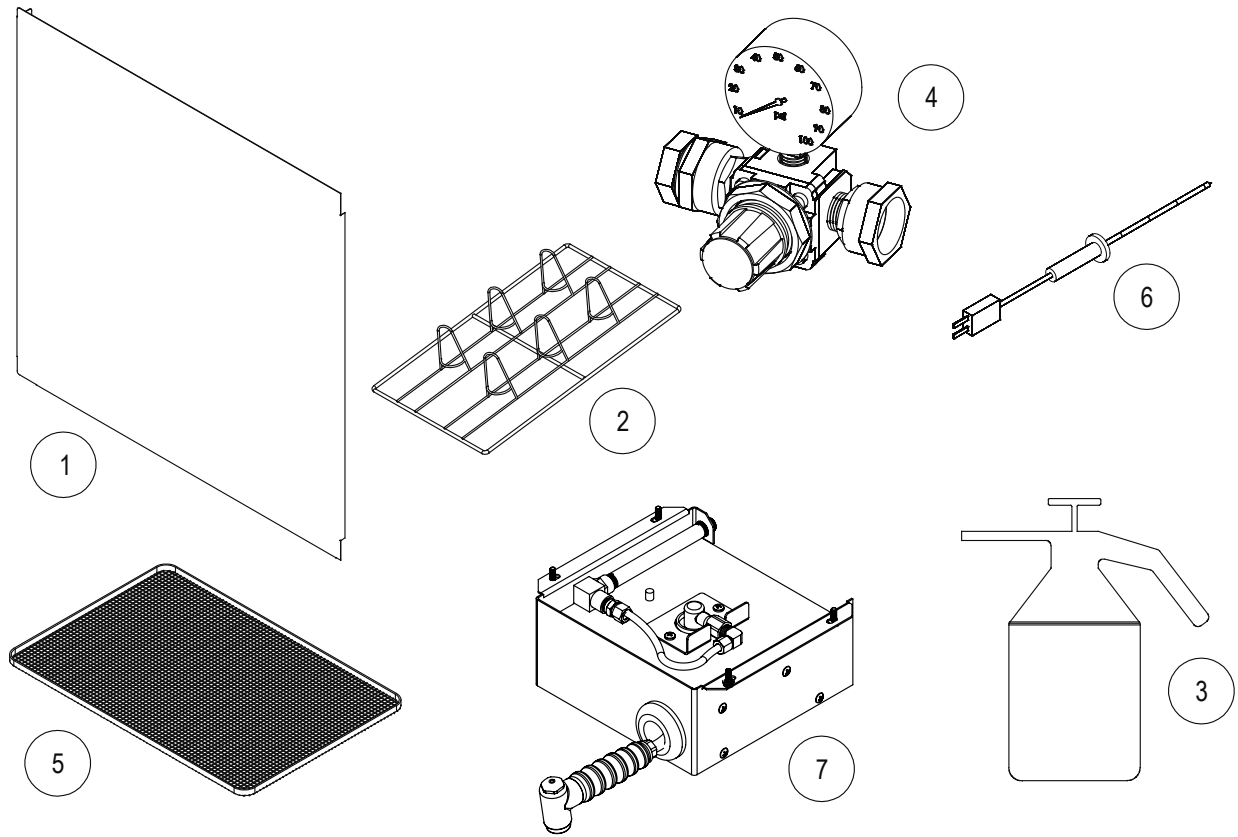
For HV-100E Ovens (Serial Letter Code KL)

<u>Ref. No.</u>	<u>Part No.</u>	<u>Description</u>	<u>Ref. No.</u>	<u>Part No.</u>	<u>Description</u>
1	R0712	10-24 ACORN NUT	3	53282	240/480V ELEMENT KIT
2	M0417	LOCK WASHER	4	M6315	10-24 X 1/2 HEX WASHER HEAD SCREW
3	53280	208V ELEMENT KIT	5	52304	GASKET, ELEMENT HV100E
3	53281	220/240V ELEMENT KIT			

HV-100E & HV-100E-AB OVENS

ACCESSORIES

FOR ALL OVENS



Ref. No.	Part No.	Description	Ref. No.	Part No.	Description
1	52889	HEAT SHIELD KIT		53059	11" LEGS W/SEISMIC FEET (SET OF 4)
2	52387	CHICKEN ROASTING RACK	6	56545	MEAT PROBE, 4", DUAL SENSOR
3	R10955	SPRAY BOTTLE	6	56546	MEAT PROBE, 6", DUAL SENSOR
4	52815	PRESSURE REGULATOR, W/O HOSE REEL		57685	MEAT PROBE, 4" FILLET
	54734	PRESSURE REGULATOR W/HOSE REEL	7	54674	EXTERNAL HOSE REEL ASSEMBLY
5	54247	FRENCH FRY RACK		52998	SPRAY NOZZLE (PUSH-BUTTON)
	8598	25" S/S LEGS W/FEET (SET OF 4)		58537	KIT STACKING (HOSE REEL NOT INCLUDED)
	16002	CASTERS (SET OF 4)		59292	SPRAY NOZZLE W/BACKET (FOR SPRAY HOSE)
	54698	34" OPEN STAND W/GUIDES AND FEET		52874	STACKING KIT, HV-100-AA WITH STANDARD DEPTH CONVECTION
	54699	34" OPEN STAND W/GUIDES AND CASTERS		52896	STACKING KIT, HV-100-AA WITH BAKERY DEPTH CONVECTION
	33196	6" SEISMIC LEGS (SET OF 4)		59262	STACKING KIT, HV-100-AB WITH STANDARD DEPTH CONVECTION
	8600	6" S/S LEGS W/FEET (SET OF 4)		59260	STACKING KIT, HV-100-AB WITH BAKERY DEPTH CONVECTION
	53057	8-1/2" LEGS W/CASTERS (SET OF 4)			
	53058	11" LEGS W/FEET (SET OF 4)			