



**HVH-100E & HVH-100E-AB  
ELECTRIC HYDROVECTION HELIX OVENS  
REPLACEMENT PARTS LIST**

**EFFECTIVE OCTOBER 9, 2018**

Superseding All Previous Parts Lists.

The Company reserves the right to make substitution in the event that items specified are not available.

ERRORS: Descriptive and/or typographic errors are subject to correction.

---

**BLODGETT OVEN COMPANY**

42 Allen Martin Drive, Essex Junction, Vermont 05452 USA Telephone: (802) 658-6600 Fax: (802) 860-3732  
[www.blodgett.com](http://www.blodgett.com)

*P/N 58529 Rev V*

## **SERIAL NUMBER LOCATION / KEY:**

***IMPORTANT: When ordering parts, please provide the model, gas type and serial number of the oven. The identification plate is located on the back of the oven.***

### **SERIAL NUMBER IDENTIFICATION CODE:**

**DT = HVH-100E HYDROVECTION OVEN**

**DT OR BN = HVH-100E-AB HYDROVECTION OVEN**

### **SERIAL NUMBER EXAMPLES**

**011915DT001**

**01/19/15 = DATE**

**DT = LETTER CODE FOR HV-100E**

**001 = FACTORY SEQUENCE**

### **TO OBTAIN LITERATURE:**

Email: [literature@blodgett.com](mailto:literature@blodgett.com)  
or visit  
[www.blodgett.com](http://www.blodgett.com)

# TABLE OF CONTENTS

## **HVH-100E OVENS - SERIAL LETTER CODE "DT"**

|                          |    |
|--------------------------|----|
| TOUCHSCREEN CONTROL..... | 5  |
| DOORS.....               | 6  |
| INTERIOR COMPONENTS..... | 7  |
| VENT COMPONENTS.....     | 8  |
| MOTOR.....               | 9  |
| ELECTRICAL PANEL.....    | 10 |
| EXTERIOR COMPONENTS..... | 11 |
| HELIX ASSEMBLY.....      | 12 |

## **HVH-100E-AB OVENS - SERIAL LETTER CODE "DT" OR "BN"**

|                            |    |
|----------------------------|----|
| SMARTTOUCH CONTROL.....    | 14 |
| SMARTTOUCH 2 CONTROL.....  | 15 |
| DOORS.....                 | 16 |
| INTERIOR COMPONENTS.....   | 17 |
| REAR COMPONENTS.....       | 18 |
| MOTOR ASSEMBLY.....        | 19 |
| EXTERIOR COMPONENTS.....   | 20 |
| ELECTRICAL COMPONENTS..... | 21 |
| ELEMENT COMPONENTS.....    | 22 |
| HELIX ASSEMBLY.....        | 23 |

## **HVH-100E & HVH-100E-AB OVENS**

|                  |    |
|------------------|----|
| ACCESSORIES..... | 25 |
|------------------|----|

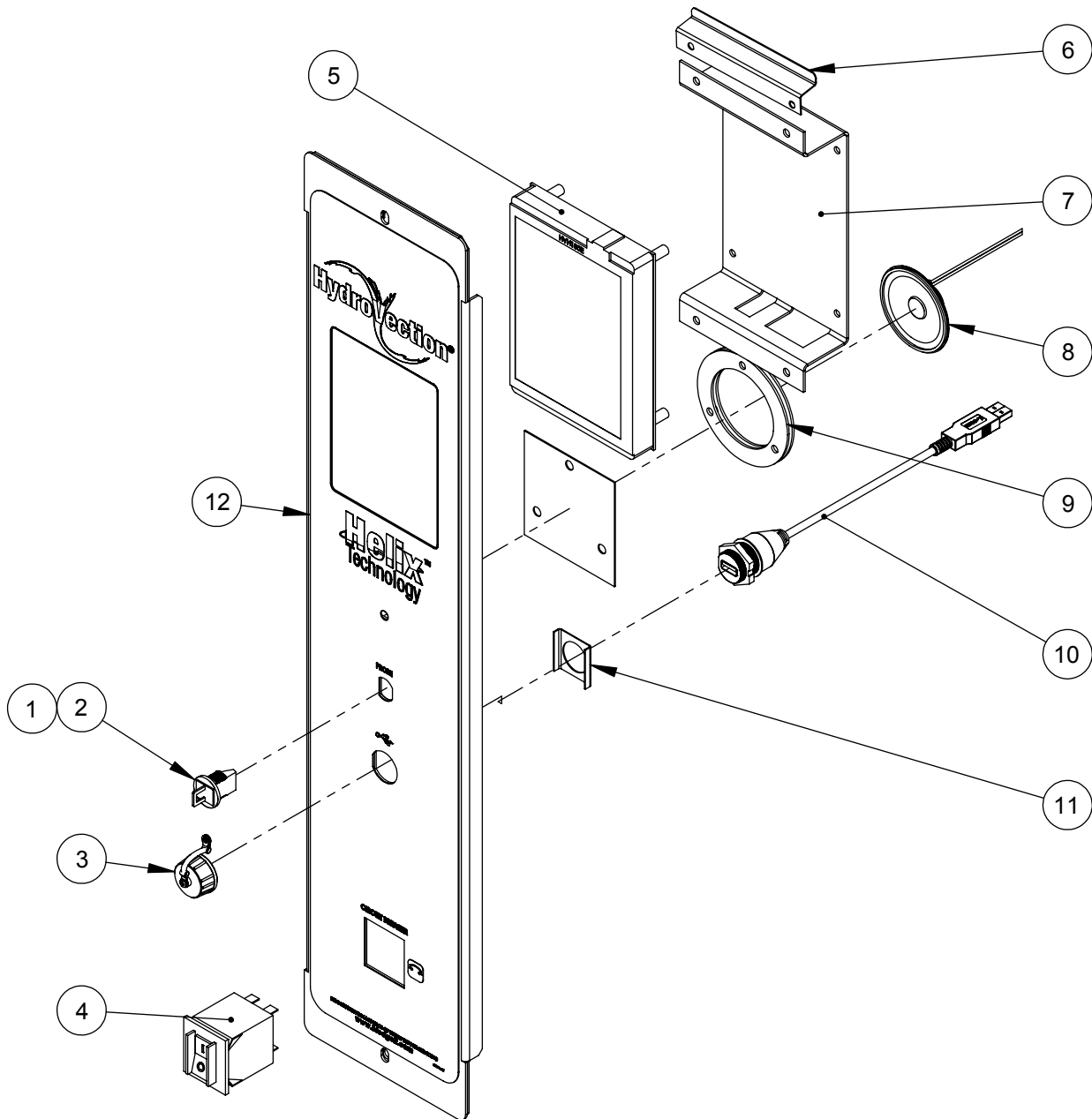
# **HVH-100E OVENS**

**SERIAL LETTER CODE "DT"**

*(All Full Size Hydrovection ovens manufactured before 1/10/2017)*

# TOUCHSCREEN CONTROL

FOR HV-100E OVENS (MANUFACTURED BEFORE 1/10/2017)

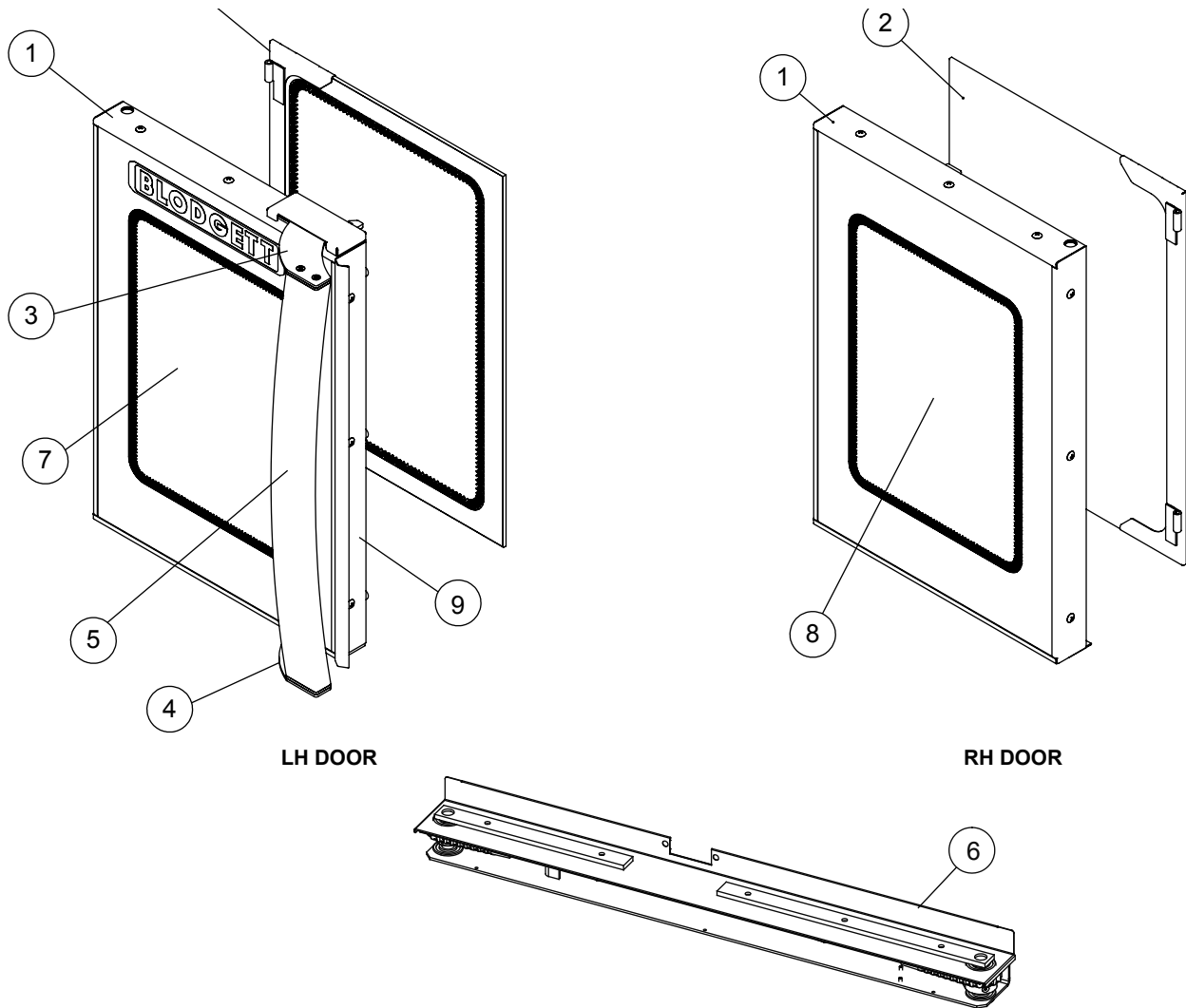


## For HVH-100E Ovens (Serial Letter Code DT)

| Ref. No. | Part No. | Description           | Ref. No. | Part No. | Description              |
|----------|----------|-----------------------|----------|----------|--------------------------|
| 1        | 39781    | MEAT PROBE JACK       | 8        | 59777    | SPEAKER KIT, W/RETAINERS |
| 2        | 39782    | PLUG, MEAT PROBE JACK | 9        | 59616    | SPEAKER RETAINER         |
| 3        | 52161    | COVER, USB            | 10       | 52160    | USB PLUG                 |
| 4        | 39688    | CIRCUIT BREAKER, 20A  | 11       | 52600    | SPACER USB               |
| 5        | 58517    | TS CONTROL, HVH-100E  | 12       | 58601    | PANEL & DECAL            |
| 6        | 52806    | DEFLECTOR             |          | 54330    | COMMUNICATIONS CABLE     |
| 7        | 53986    | TS FRAME              |          |          |                          |

# DOORS

FOR HV-100E OVENS (MANUFACTURED BEFORE 1/10/2017)

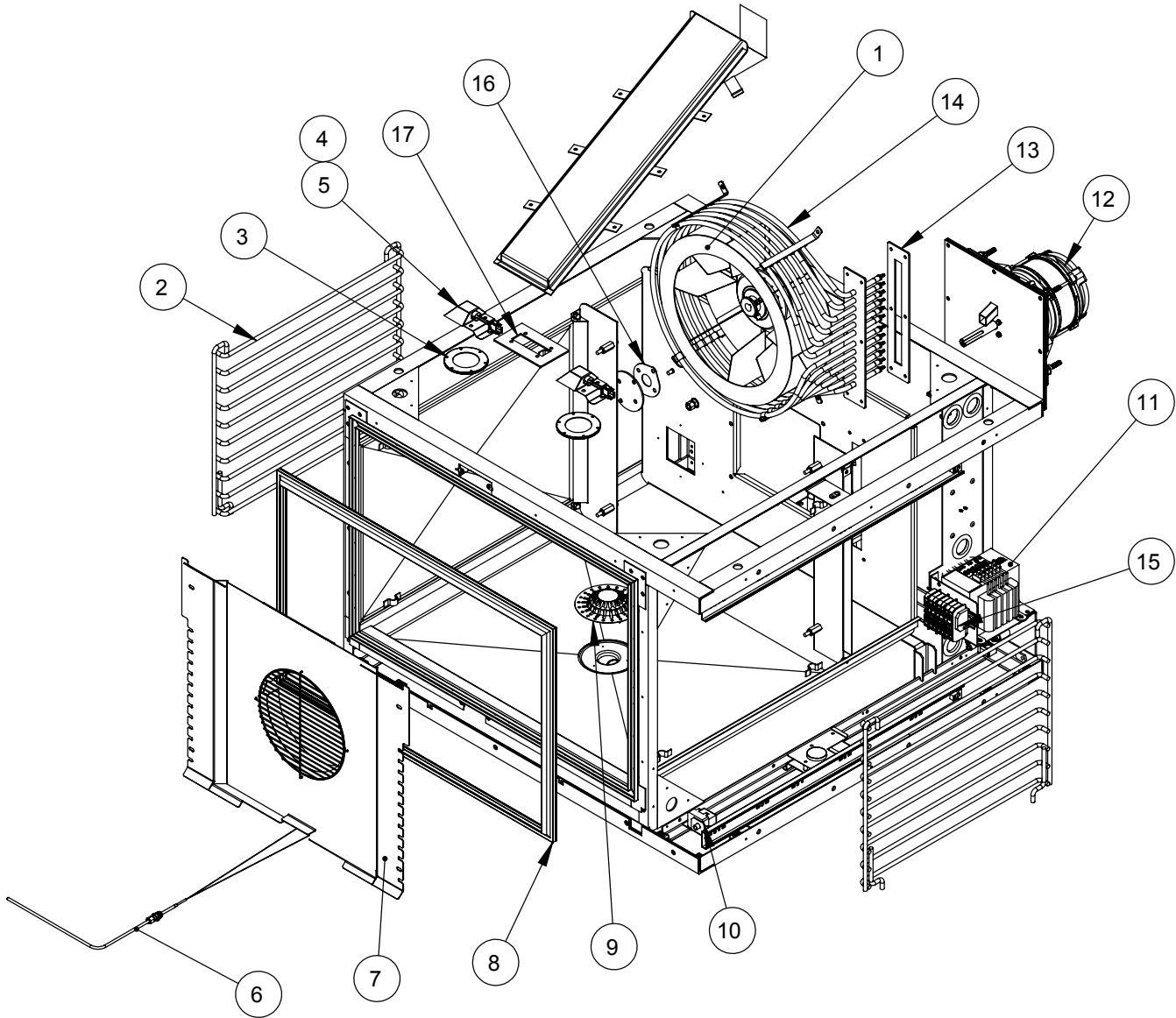


## For HVH-100E Ovens (Serial Letter Code DT)

| Ref. No. | Part No. | Description                       | Ref. No. | Part No. | Description             |
|----------|----------|-----------------------------------|----------|----------|-------------------------|
| 1        | 55528    | LH OUTER DOOR (COMPLETE AS SHOWN) | 6        | 57953    | DOOR TURNBUCKLE         |
| 1        | 55542    | RH OUT DOOR (COMPLETE AS SHOWN)   |          | 52514    | DOOR SWITCH             |
| 2        | 51534    | LH INNER GLASS                    | 7        | 55531    | LH FRONT GLASS          |
|          | 51556    | RH INNER GLASS                    | 8        | 55532    | RH FRONT GLASS          |
| 3        | 58939    | LATCH ASSY, RECT, LH              | 9        | 55533    | CENTER TRIM             |
| 4        | 58938    | LATCH ASSY, RECT, RH              |          | 51610    | CENTER DOOR GASKET      |
| 5        | 55608    | DOOR HANDLE                       |          | 60185    | BUMPER (SCREW IN STYLE) |

# INTERIOR COMPONENTS

## FOR HV-100E OVENS (MANUFACTURED BEFORE 1/10/2017)

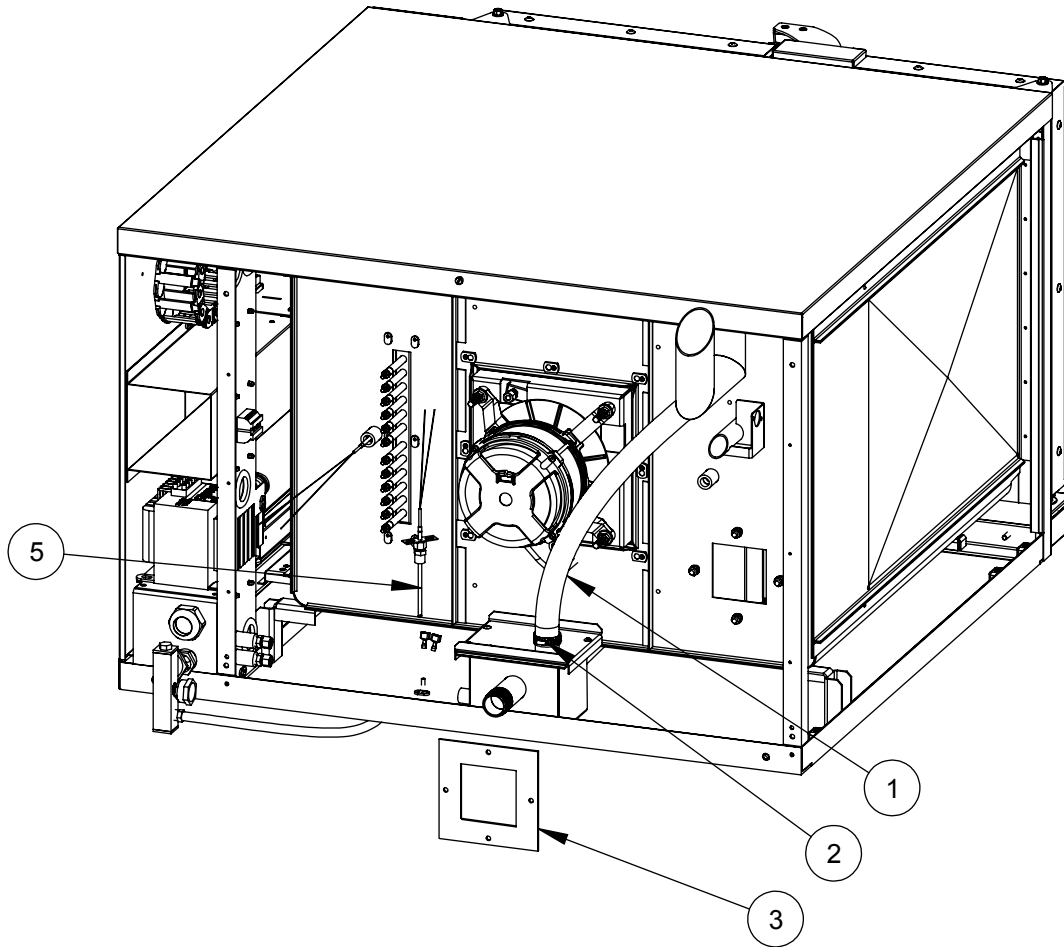


### For HVH-100E Ovens (Serial Letter Code DT)

| Ref. No. | Part No. | Description                  | Ref. No. | Part No. | Description                          |
|----------|----------|------------------------------|----------|----------|--------------------------------------|
| 1        | 55303    | BLOWER WHEEL W/KEY           | 11       | 51453    | 440-480V TRANSFORMER                 |
| 2        | 54856    | SIDE RACK SUPPORT (SET OF 2) | 12       | 54293    | MOTOR ASSEMBLY                       |
|          | 59046    | WIRE RACK                    | 13       | 52304    | ELEMENT GASKET                       |
| 3        | 53081    | LIGHT LENS AND GASKET        | 14       | 53280    | 14 KW, 208V ELEMENT & GASKET KIT     |
| 4        | 53101    | LIGHT BULB FOR ROUND LIGHT   | 14       | 53281    | 14 KW, 220/440V ELEMENT & GASKET KIT |
| 5        | 53194    | LIGHT SOCKET                 | 14       | 53282    | 14 KW, 240/480V ELEMENT & GASKET KIT |
| 6        | 53007    | CAVITY TEMPERATURE PROBE KIT | 15       | 39733    | TERMINAL BLOCK                       |
| 7        | 57496    | BAFFLE                       | 16       | 58513    | INTAKE VENT GASKET                   |
| 8        | 52716    | PERIMETER GASKET             | 17       | 58996    | CAVITY VENT GASKET                   |
| 9        | 50506    | DRAIN STRAINER               |          |          |                                      |
| 10       | 36441    | HIGH LIMIT THERMOSTAT        |          |          |                                      |

# VENT COMPONENTS

FOR HV-100E OVENS (MANUFACTURED BEFORE 1/10/2017)



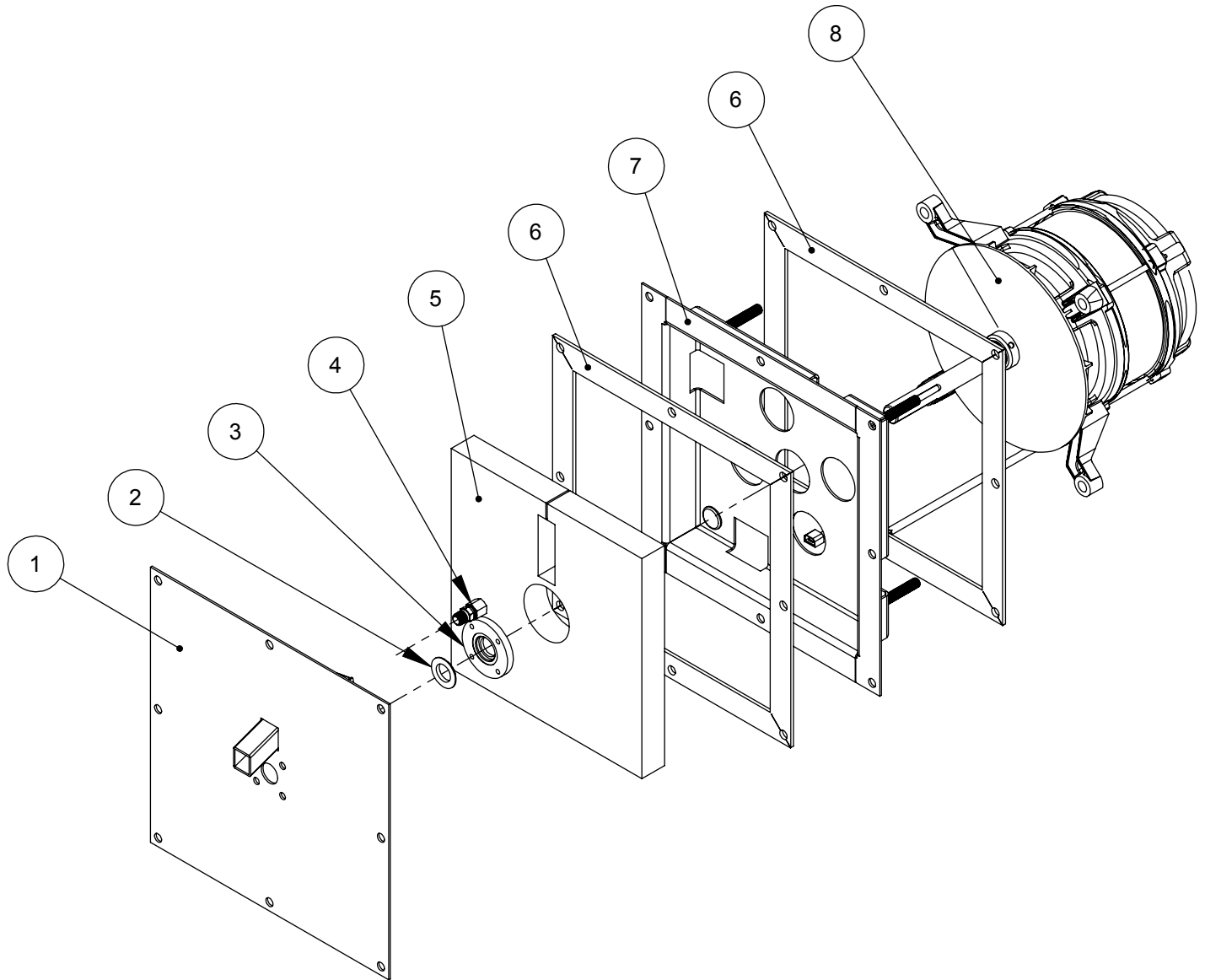
## For HVH-100E Ovens (Serial Letter Code DT)

| <b>Ref. No.</b> | <b>Part No.</b> | <b>Description</b>          |
|-----------------|-----------------|-----------------------------|
| 1               | 57025           | SILICONE HOSE (BY THE INCH) |
| 2               | R0254           | HOSE CLAMP                  |
| 3               | 57726           | HELIX ASSEMBLY GASKET       |
| 5               | 36720           | QUENCH PROBE                |



# MOTOR

## FOR HV-100E OVENS (MANUFACTURED BEFORE 1/10/2017)

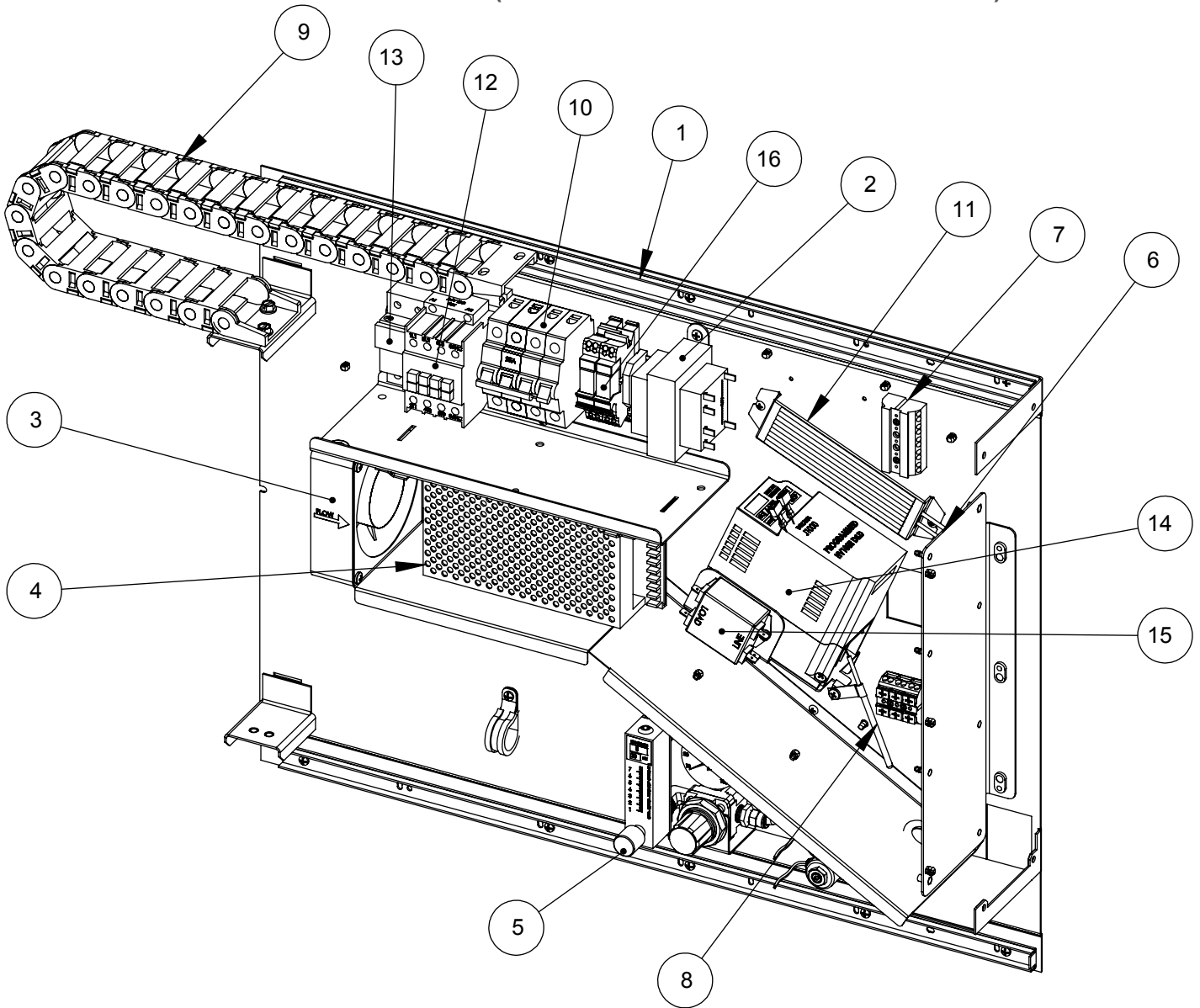


### For HVH-100E Ovens (Serial Letter Code DT)

| <b>Ref. No.</b> | <b>Part No.</b> | <b>Description</b>   |
|-----------------|-----------------|----------------------|
| 1               | 54296           | COVER PLATE ASSEMBLY |
| 2               | R4244           | SHAFT SEAL           |
| 3               | R8955           | SEAL RETAINER        |
| 4               | M0959           | COMPRESSION FITTING  |
| 5               | 57318           | INSULATION           |
| 6               | 56956           | MOTOR GASKET         |
| 7               | 54294           | MOTOR MOUNT          |
| 8               | 55301           | MOTOR                |

# ELECTRICAL PANEL

## FOR HV-100E OVENS (MANUFACTURED BEFORE 1/10/2017)

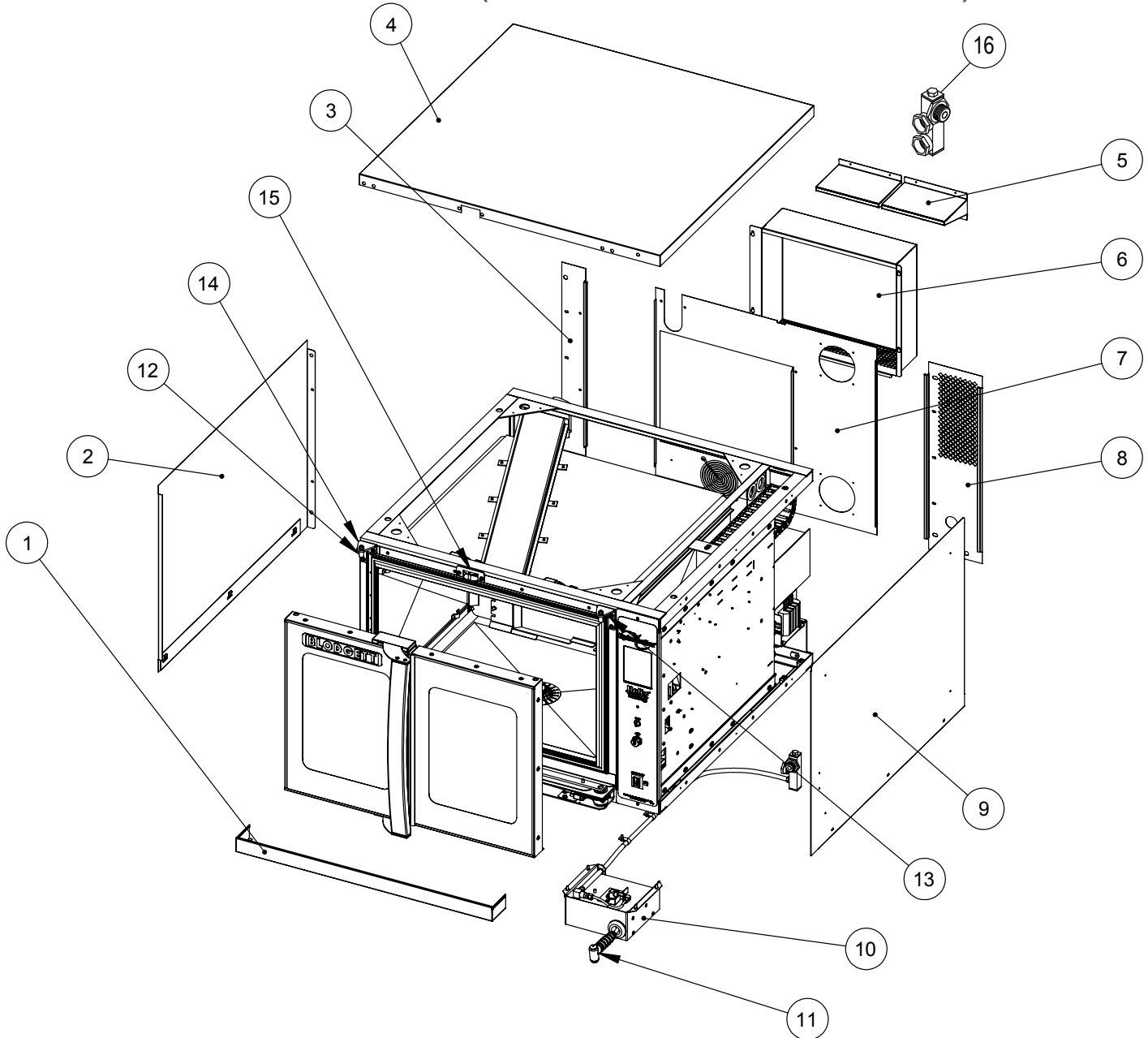


### For HVH-100E Ovens (Serial Letter Code DT)

| <u>Ref. No.</u> | <u>Part No.</u> | <u>Description</u>            | <u>Ref. No.</u> | <u>Part No.</u> | <u>Description</u>                                     |
|-----------------|-----------------|-------------------------------|-----------------|-----------------|--|
| 1               | 51588           | DRAWER SLIDE, MOVING          | 10              | 53271           | CIRCUIT BREAKER, 50A, 208-240V                         |
| 2               | 24356           | TRANSFORMER, 120V TO 24V 80VA |                 | 52446           | CIRCUIT BREAKER 25A, 480V                              |
| 3               | 52947           | AXIAL FAN, 4" (24V)           | 11              | 52706           | RESISTOR, MOTOR BREAKING                               |
| 4               | 52946           | 24VDC POWER SUPPLY            | 12              | 52717           | CONTACTOR, 3PH, 24 VDC                                 |
|                 | M3166           | FUSE, POWER SUPPLY            | 13              | 51454           | FUSE HOLDER, 440/480V ONLY                             |
| 5               | 58533           | WATER MANIFOLD ASSY           |                 | 51455           | FUSE, 7A 600V, 440/480 ONLY                            |
| 6               | 57727           | TOUCHSCREEN INTERFACE BOARD   | 14              | 57681           | 240V VFD PROGRAMMED, V-CONTROL                         |
| 7               | 50952           | TERMINAL BLOCK                | 15              | 53902           | NOISE FILTER   |
| 8               | 51516           | PROBE, 100 OHM RTD            | 16              | 38604           | RELAY, 24V   |
| 9               | 52292           | CABLE CARRIER                 |                 | 52663           | WATER TUBING KIT (CONSISTS OF 6' OF EACH COLOR TUBING) |

# EXTERIOR COMPONENTS

## FOR HV-100E OVENS (MANUFACTURED BEFORE 1/10/2017)

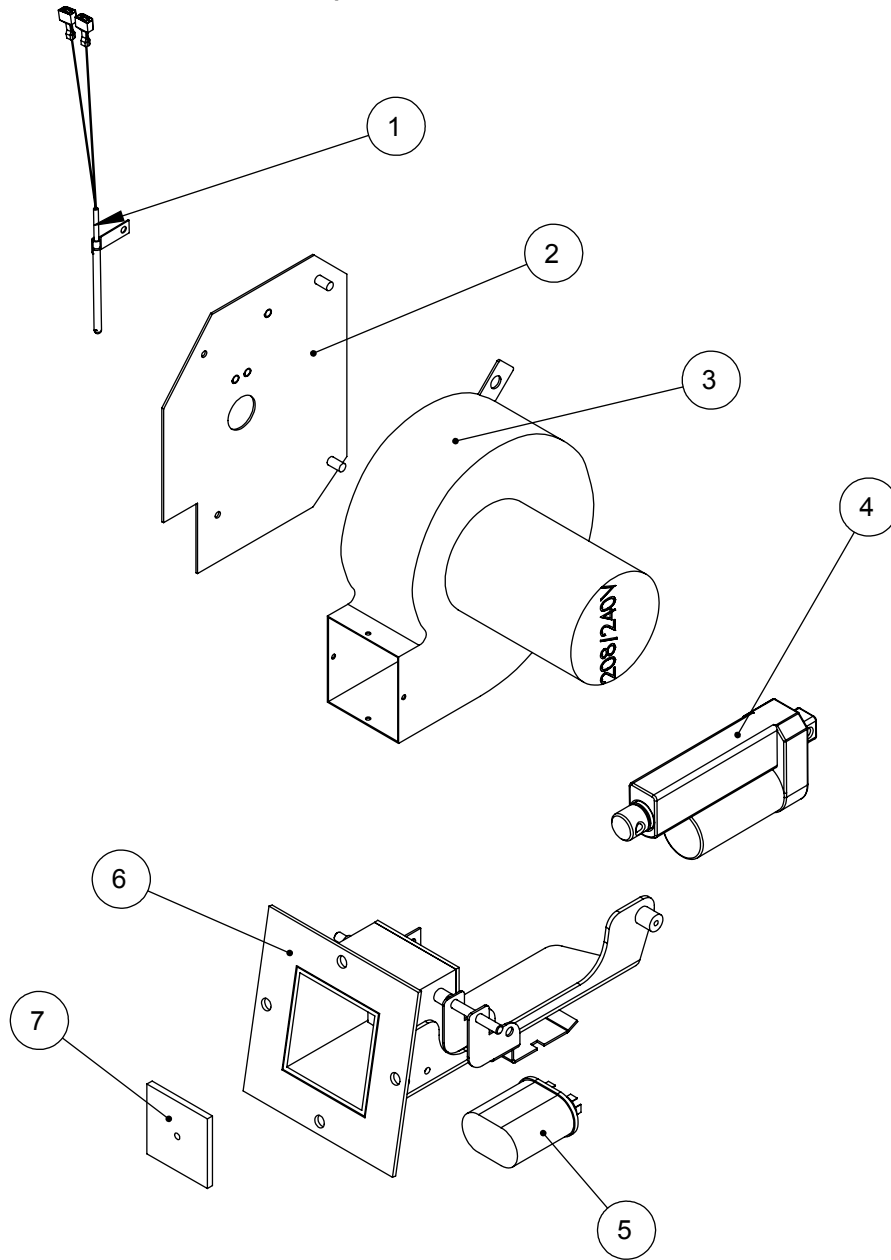


### For HVH-100E Ovens (Serial Letter Code DT)

| Ref. No. | Part No. | Description               | Ref. No. | Part No. | Description                 |
|----------|----------|---------------------------|----------|----------|-----------------------------|
| 1        | 51698    | FRONT TRIM                | 10       | 54671    | EXTERNAL HOSE REEL KIT      |
| 2        | 52479    | LH BODYSIDE               |          | 54674    | EXTERNAL HOSE REEL ASSEMBLY |
| 3        | 58331    | RH BODYBACK               | 11       | 52998    | SPRAY NOZZLE (PUSH BUTTON)  |
| 4        | 51253    | BODYTOP                   | 12       | 51591    | HINGE PIN (LEFT & RIGHT)    |
| 5        | 51630    | MOTOR VENT                | 13       | 51081    | RH HINGE                    |
| 6        | 58332    | BODYBACK ACCESS PANEL     | 14       | 51082    | LH HINGE                    |
| 7        | 58329    | BODYBACK CENTER, ELECTRIC | 15       | 57889    | DOOR LATCH CATCH            |
| 8        | 58330    | LH BODYBACK, ELECTRIC     | 16       | 54715    | WATER MANIFOLD ASSEMBLY     |
| 9        | 51105    | RH BODYSIDE               |          |          |                             |

# HELIX ASSEMBLY

FOR HV-100E OVENS (MANUFACTURED BEFORE 1/10/2017)



For HVH-100E Ovens (Serial Letter Code DT)

| <u>Ref. No.</u> | <u>Part No.</u> | <u>Description</u>     |
|-----------------|-----------------|------------------------|
| 1               | 51516           | PROBE                  |
| 2               | 57843           | RESTRICTOR PLATE       |
| 3               | 54672           | BLOWER, 208/240        |
| 4               | 50617           | ACTUATOR, 24V          |
| 5               | 38610           | CAPACITOR              |
| 6               | 57668           | HELIX FLAPPER ASSEMBLY |
| 7               | 57671           | FLAPPER GASKET         |

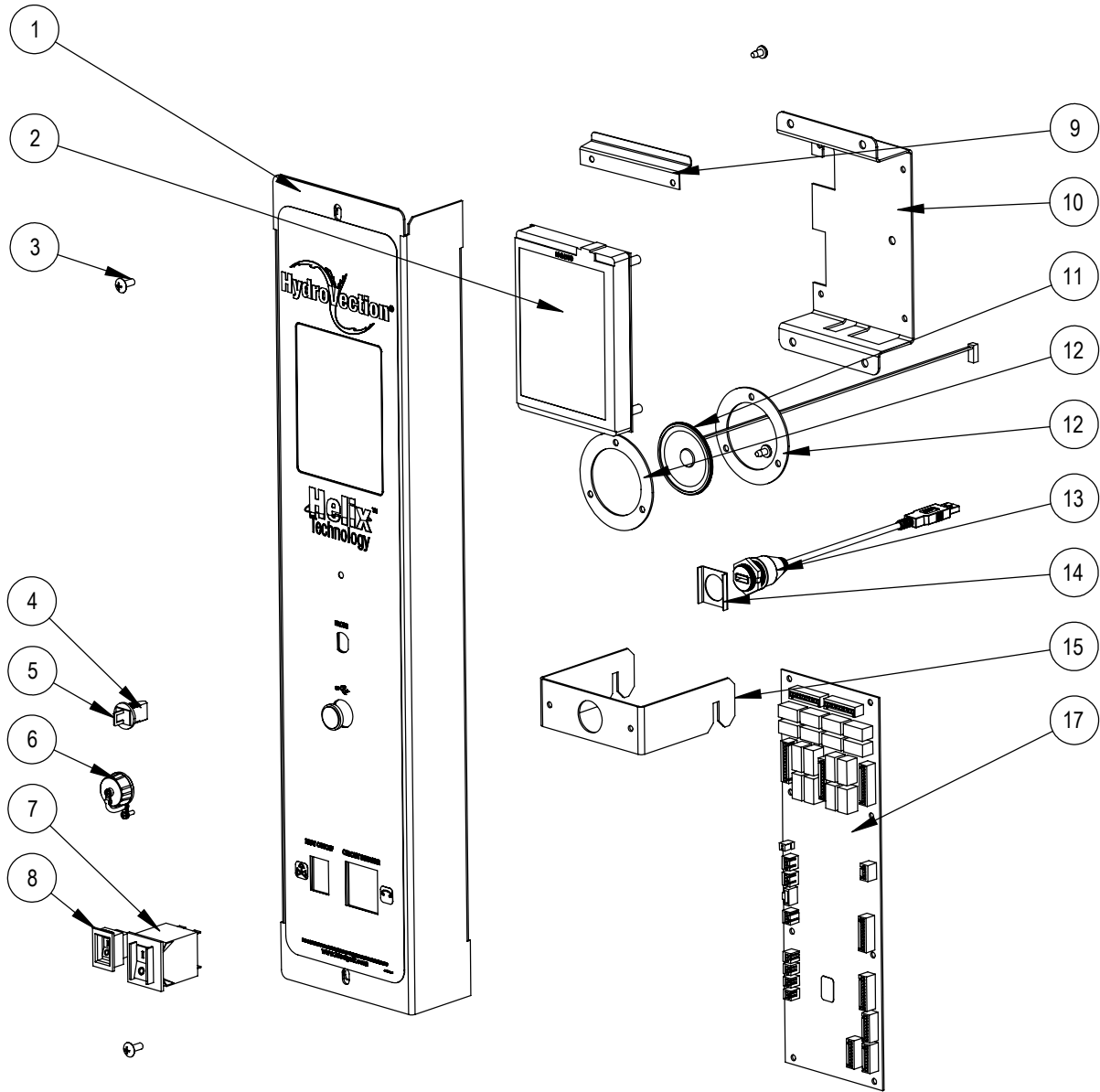
# **HVH-100E-AB OVENS**

**SERIAL LETTER CODE "BN" OR "DT"**

*(All Full Size Hydrovection ovens manufactured after 1/10/2017)*

# SMARTTOUCH CONTROL

FOR HV-100E-AB OVENS (MANUFACTURED AFTER 1/10/2017 AND BEFORE 8/1/2017)

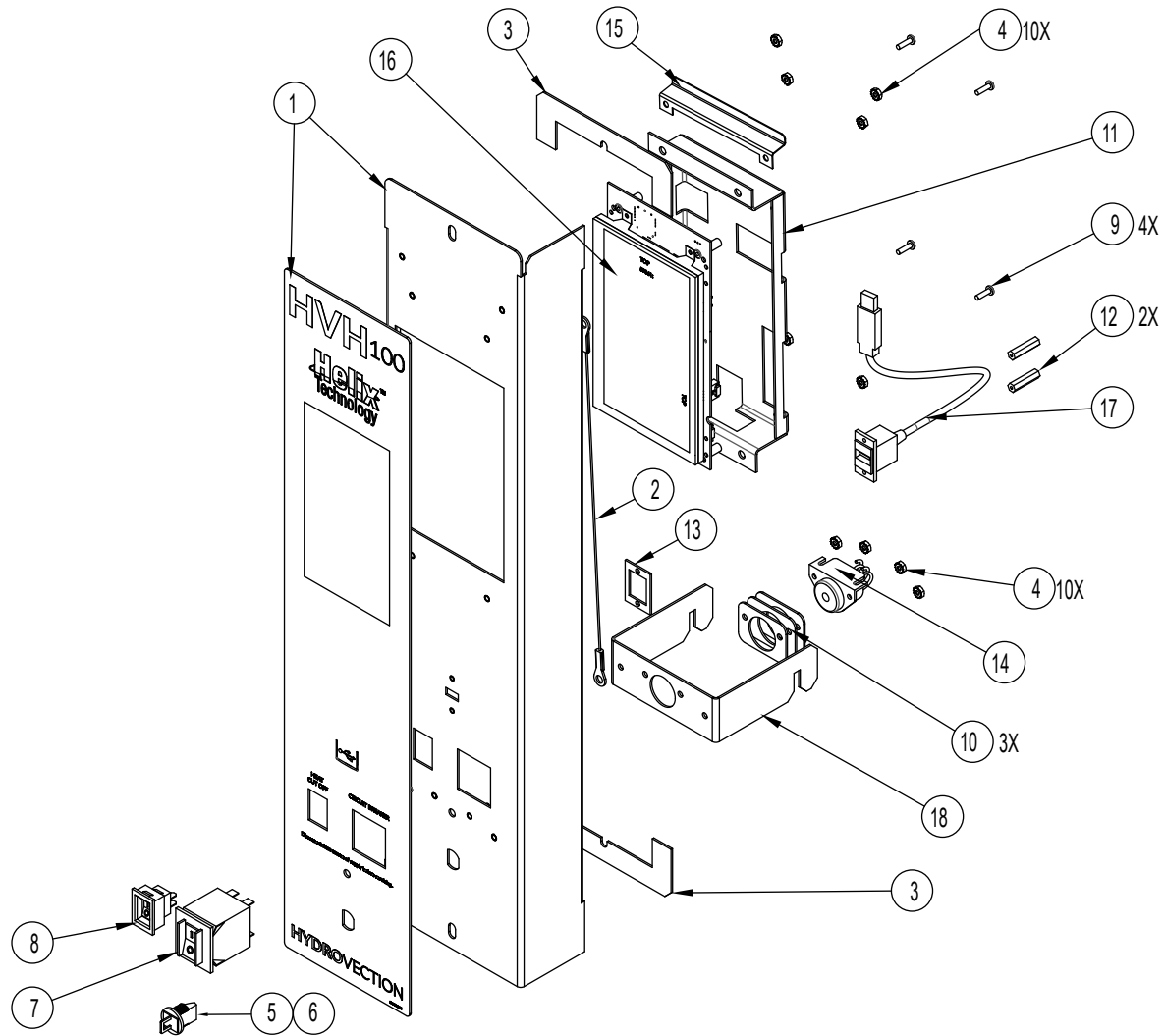


| Ref. No. | Part No. | Description                  |
|----------|----------|------------------------------|
| 1        | 59204    | PANEL & DECAL                |
| 2        | 59149    | TOUCH SCREEN, HVH100         |
| 3        | 16384    | 10-24 X 1/2 TRUSS HEAD SCREW |
| 4        | 39781    | MEAT PROBE JACK              |
| 5        | 39782    | MEAT PROBE JACK PLUG         |
| 6        | 52161    | COVER, USB                   |
| 7        | 39688    | CIRCUIT BREAKER, 20A         |
| 8        | 36376    | SWITCH, GAS, ON/OFF          |

| Ref. No. | Part No. | Description   |
|----------|----------|---|
| 11       | 59777    | SPEAKER KIT, W/RETAINERS  |
| 12       | 59616    | SPEAKER RETAINER  |
| 13       | 52160    | USB CABLE   |
| 14       | 52600    | SPACER, USB PORT  |
| 15       | 58918    | BRACKET, HANGING, HV100   |
| 16       | 54330    | COMMUNICATION CABLE, HV100 TS                                   |
| 17       | 57727    | RELAY BOARD, TOUCH SCREEN                                       |
|          | 58919    | CONTROL PANEL ASSEMBLY, COMPLETE AS SHOWN (WITHOUT RELAY BOARD) |

# SMARTTOUCH 2 CONTROL

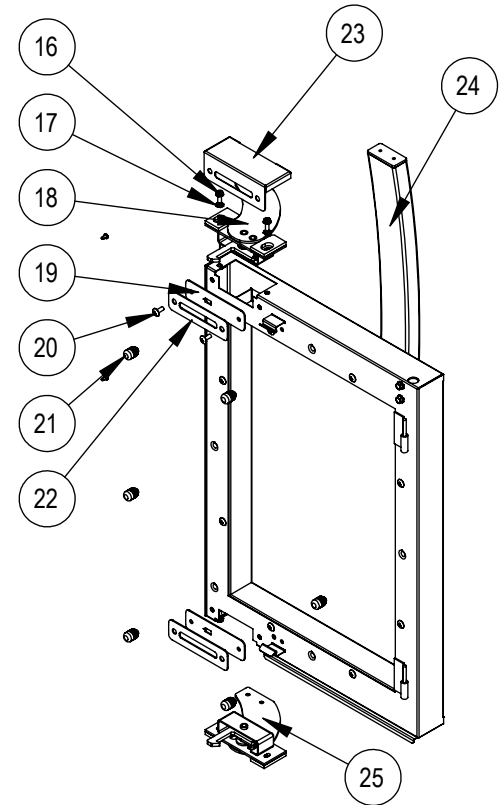
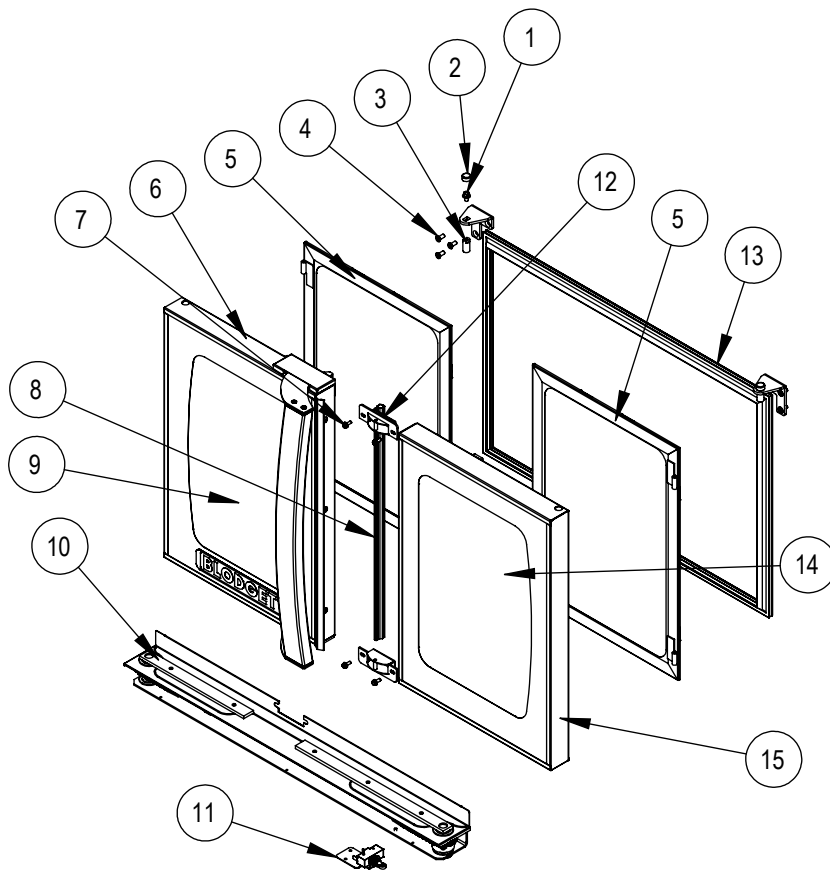
## FOR HV-100E-AB OVENS (MANUFACTURED AFTER 8/1/2017)



| <b>Ref. No.</b> | <b>Part No.</b> | <b>Description</b>             | <b>Ref. No.</b> | <b>Part No.</b> | <b>Description</b>                      |
|-----------------|-----------------|--------------------------------|-----------------|-----------------|---|
| 1               | 59856           | PANEL & DECAL ASSY             | 15              | 59349           | DEFLECTOR BRACKET                       |
| 2               | 20043           | 12" STRAIN RELIEF              | 16              | 59361           | CONTROL, TS, HVH100                     |
| 3               | R4872           | TILT PANEL GASKET, BY THE INCH | 16              | 59829           | CONTROL, TS, HVH100 K12                 |
| 4               | M3367           | NUT 6-32 KEPS                  | 17              | 59565           | USB CABLE                               |
| 5               | 39781           | MEAT PROBE JACK                | 18              | 58918           | HANGING BRACKET                         |
| 6               | 39782           | MEAT PROBE JACK PLUG           | 19              | 59032           | HARNESS, HV FRONT LINE (NOT SHOWN)      |
| 7               | 39688           | CIRCUIT BREAKER, 20A           | 20              | 59029           | HARNESS, HV FRONT TS DIGI (NOT SHOWN)   |
| 8               | 36376           | GAS ON/OFF SWITCH              | 21              | 59542           | HARNESS, BEEPER, ADDER (NOT SHOWN)      |
| 9               | 34478           | SCREW, 6-32 X 0.5 SELF TAPPING | 22              | 54330           | COM CABLE, 20", TOUCHSCREEN (NOT SHOWN) |
| 10              | 53921           | BUZZER SPACER                  |                 |                 |   |
| 11              | 59348           | TOUCH SCREEN BRACKET           |                 |                 |   |
| 12              | 59434           | STANDOFF #4-40 X1"             |                 |                 |   |
| 13              | 59280           | USB SPACER                     |                 |                 |   |
| 14              | 53759           | BUZZER                         |                 |                 |   |

# DOORS

FOR HV-100E-AB OVENS (MANUFACTURED AFTER 1/10/2017)



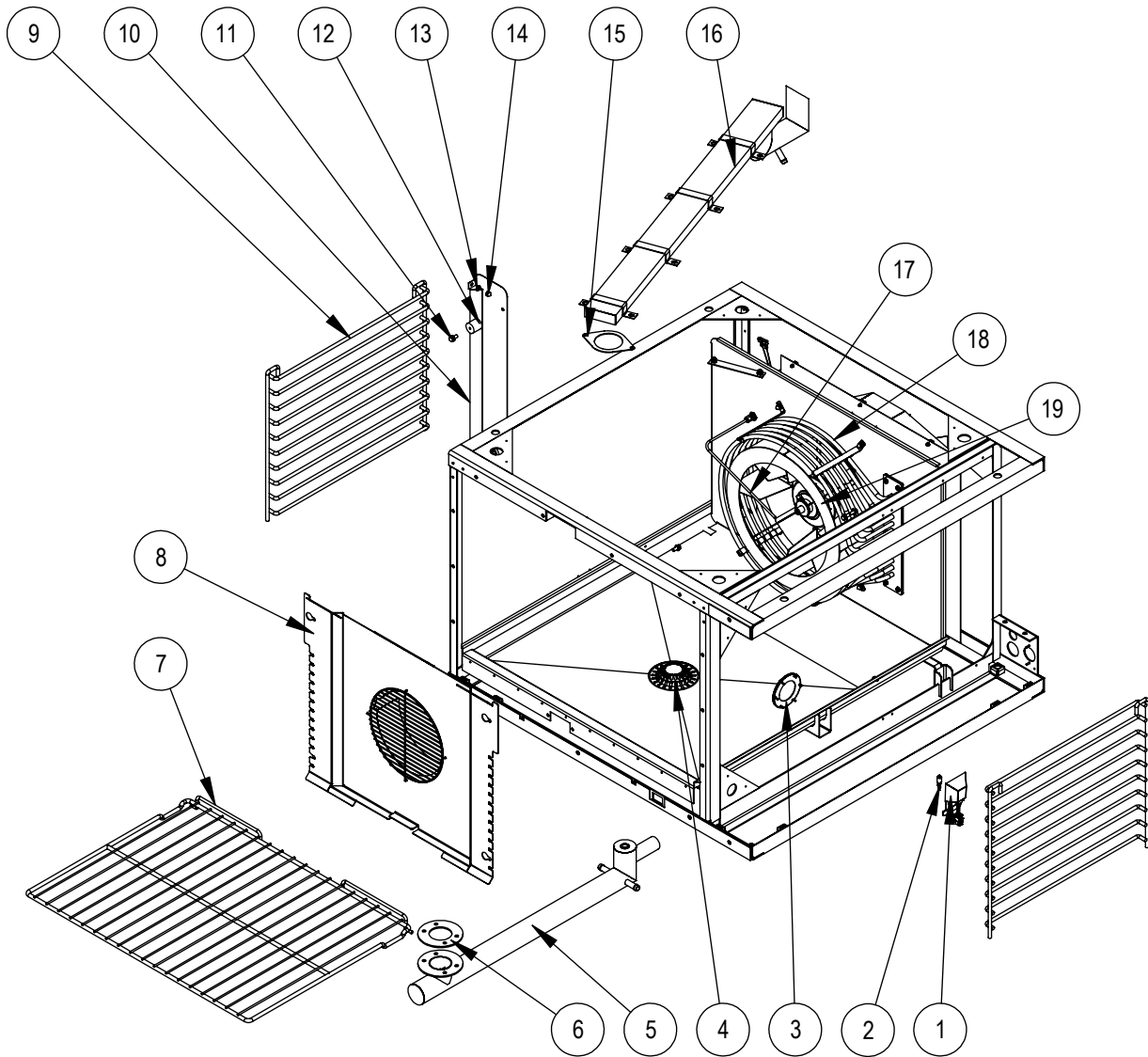
| Ref. No. | Part No. | Description                           |
|----------|----------|---------------------------------------|
| 1        | 52447    | DOOR PIN BOLT                         |
| 2        | 52666    | HEX BOLT CAP                          |
| 3        | 51591    | PIN, DOOR                             |
| 4        | M1118    | SCREW, 1/4-20 X 5/8, FLAT HEAD        |
| 5        | 59013    | ASSY, INNER GLASS                     |
| 6        | 59140    | DOOR ASSEMBLY, LH (COMPLETE AS SHOWN) |
| 7        | 57725    | 10-24 X 1/2 SERRATED HEX FLANGE       |
| 8        | 51610    | GASKET, CENTER DOOR                   |
| 9        | 59007    | FRONT GLASS, LH                       |
| 10       | 57953    | ASSY, DOOR TURNBUCKLE                 |
| 11       | 52514    | ASSEMBLY, DOOR SWITCH                 |
| 12       | 58824    | LATCH CATCH ASSY                      |
| 13       | 52716    | GASKET, HV100 PERIMETER BLADE         |

| Ref. No. | Part No. | Description                           |
|----------|----------|---------------------------------------|
| 14       | 59006    | FRONT GLASS, RH                       |
| 15       | 59141    | DOOR ASSEMBLY, RH (COMPLETE AS SHOWN) |
| 16       | M6315    | 10-24 X 1/2 HEX WASHER HEAD SCREW     |
| 17       | 16479    | LOCK WASHER, EXTERNAL TOOTH           |
| 18       | 58939    | LATCH ASSY, RECT, TOP                 |
| 19       | 55537    | GASKET, DOOR LATCH                    |
| 20       | 16384    | 10-24 X 1/2 TRUSS HEAD SCREW          |
| 21       | 61036    | RUBBER BUMPER                         |
| 22       | 55536    | PLATE, LATCH COVER                    |
| 23       | 59018    | COVER, LATCH, HV100                   |
| 24       | 55608    | DOOR HANDLE, HV100                    |
| 25       | 58938    | LATCH ASSY, RECT, BOTTOM              |



# INTERIOR COMPONENTS

## FOR HV-100E-AB OVENS (MANUFACTURED AFTER 1/10/2017)

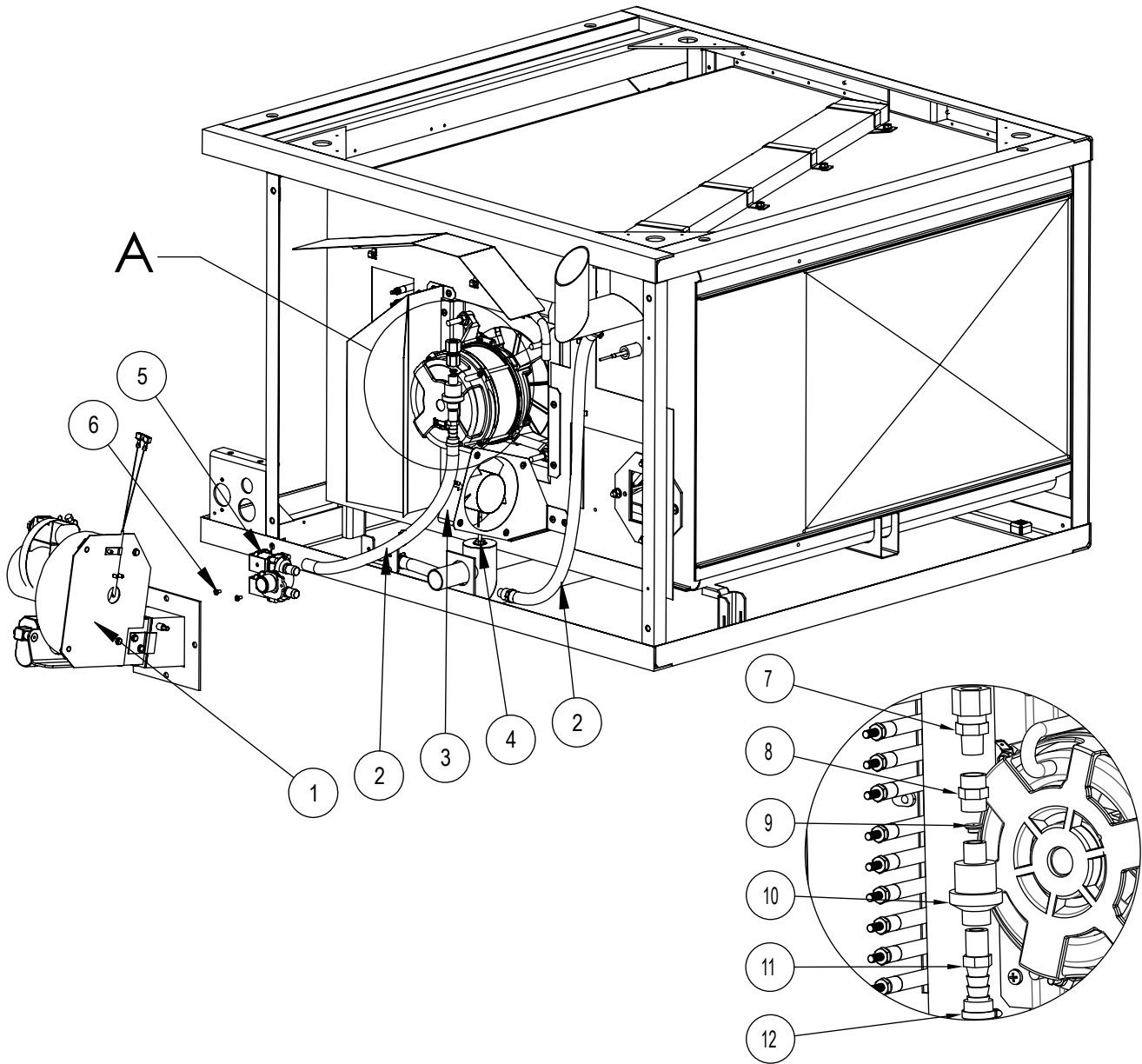


| <b>Ref. No.</b> | <b>Part No.</b> | <b>Description</b>             |
|-----------------|-----------------|--------------------------------|
| 1               | 53194           | LAMP HOUSING ASSEMBLY          |
| 2               | 53101           | HALOGEN BULB                   |
| 3               | 53081           | BEZEL, GASKET & LENSE ASSEMBLY |
| 4               | 39336           | COVER, DRAIN                   |
| 5               | 59154           | DRAIN ASSEMBLY                 |
| 6               | 59162           | GASKET, DRAIN                  |
| 7               | 59046           | WIRE RACK                      |
| 8               | 58864           | BAFFLE, HV100E                 |
| 9               | 59047           | SIDE RACK SUPPORT              |
| 10              | 58865           | BAFFLE, SIDE SUPPORT           |
| 11              | M6315           | 10-24 X 1/2, FLANGE HEAD BOLT  |

| <b>Ref. No.</b> | <b>Part No.</b> | <b>Description</b>    |
|-----------------|-----------------|-----------------------|
| 12              | 58997           | SPACER                |
| 13              | M0417           | LOCK WASHER, 1/4"     |
| 14              | R0712           | 10-24 ACORN NUT       |
| 15              | 58998           | GASKET, LINER VENT    |
| 16              | 58866           | VENT ASSEMBLY, HV100  |
| 17              | 53007           | CAVITY TEMP PROBE     |
| 18              | 53280           | 208V ELEMENT KIT      |
| 18              | 53281           | 220/240V ELEMENT KIT  |
| 18              | 53282           | 240/480V ELEMENT KIT  |
| 19              | 55303           | BLOWER WHEEL WITH KEY |

# REAR COMPONENTS

FOR HV-100E-AB OVENS (MANUFACTURED AFTER 1/10/2017)

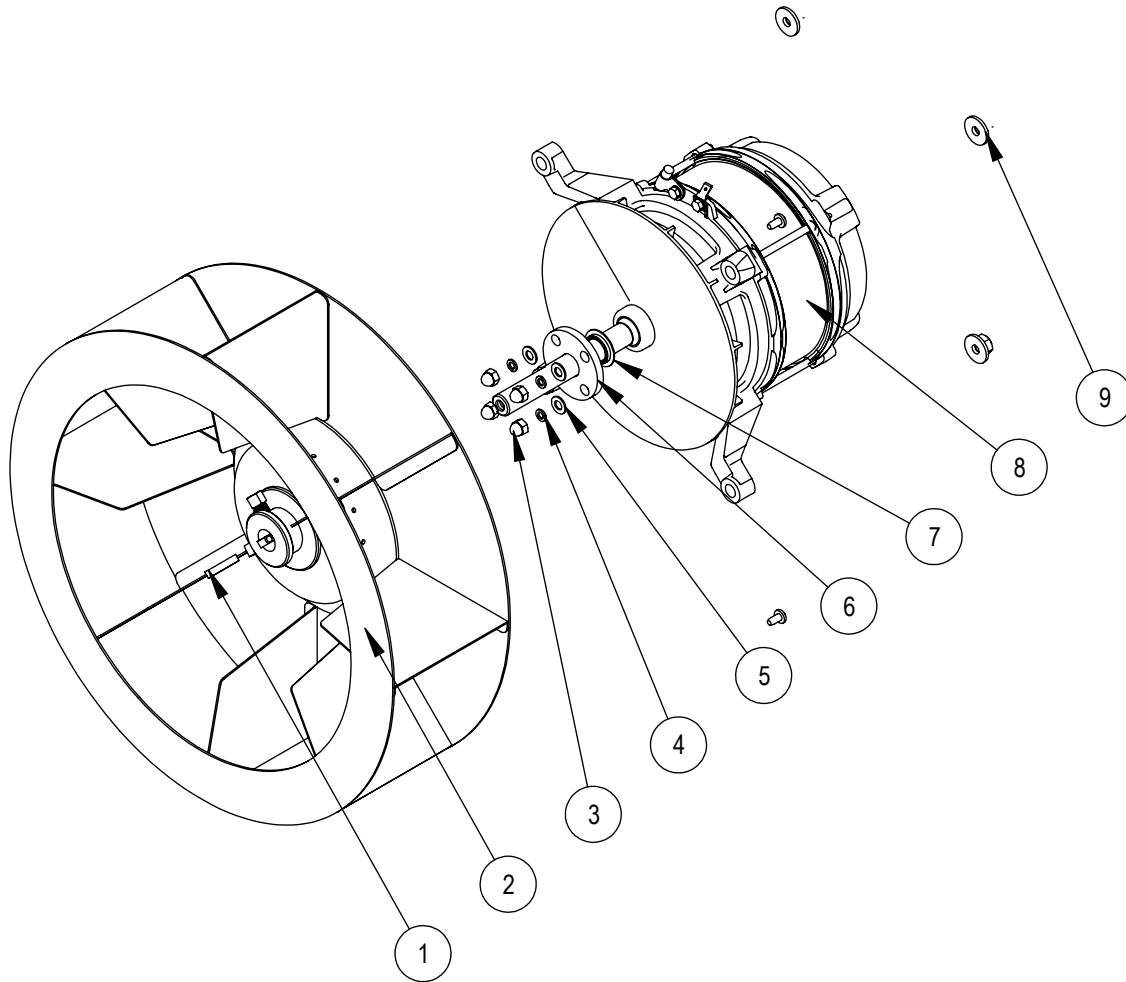


| Ref. No. | Part No. | Description                  |
|----------|----------|------------------------------|
| 1        | 58368    | HELIX ASSEMBLY, 208/240V     |
| 2        | 58270    | SILICONE HOSE (BY THE INCH)  |
| 3        | 52947    | AXIAL FAN                    |
| 4        | 58871    | DRAIN TEMP PROBE             |
| 5        | 59630    | KIT, DUAL OUTPUT WATER VALVE |
| 6        | R1270    | SCREW, M4-.7 X 10MM          |
| 7        | 59333    | COMPRESSION FITTING          |

| Ref. No. | Part No. | Description        |
|----------|----------|--------------------|
| 8        | 59332    | COUPLING           |
| 9        | 58348    | FLOW VALVE ORIFICE |
| 10       | 58347    | FLOW VALVE         |
| 11       | 58884    | FITTING, BARBED    |
| 12       | R0080    | HOSE CLAMP         |

# MOTOR ASSEMBLY

## FOR HV-100E-AB OVENS (MANUFACTURED AFTER 1/10/2017)

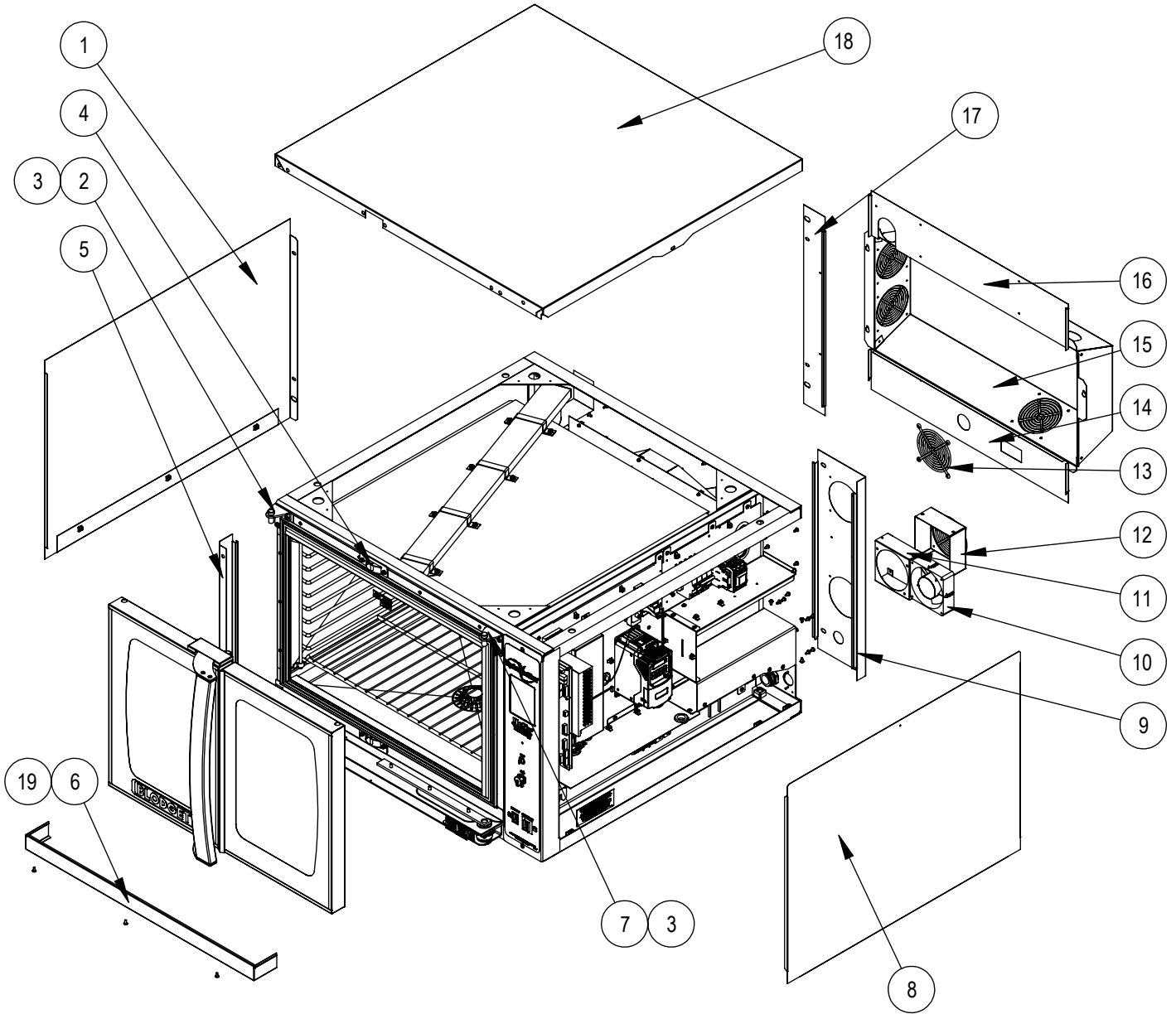


| <b>Ref. No.</b> | <b>Part No.</b> | <b>Description</b>    |
|-----------------|-----------------|-----------------------|
| 1               | 54960           | KEY, 3/16 X 1"        |
| 2               | 55303           | BLOWER WHEEL WITH KEY |
| 3               | R0712           | ACRON NUT, 10-24      |
| 4               | R0726           | LOCK WASHER, #10      |
| 5               | R0733           | FLAT WASHER, #10      |
| 6               | 59059           | SHAFT SEAL RETAINER   |

| <b>Ref. No.</b> | <b>Part No.</b> | <b>Description</b>          |
|-----------------|-----------------|-----------------------------|
| 7               | R4244           | SHAFT SEAL                  |
| 8               | 59909           | CONVECTION MOTOR            |
| 9               | 8628            | 5/16-18 SERRATED FLANGE NUT |

# EXTERIOR COMPONENTS

## FOR HV-100E-AB OVENS (MANUFACTURED AFTER 1/10/2017)

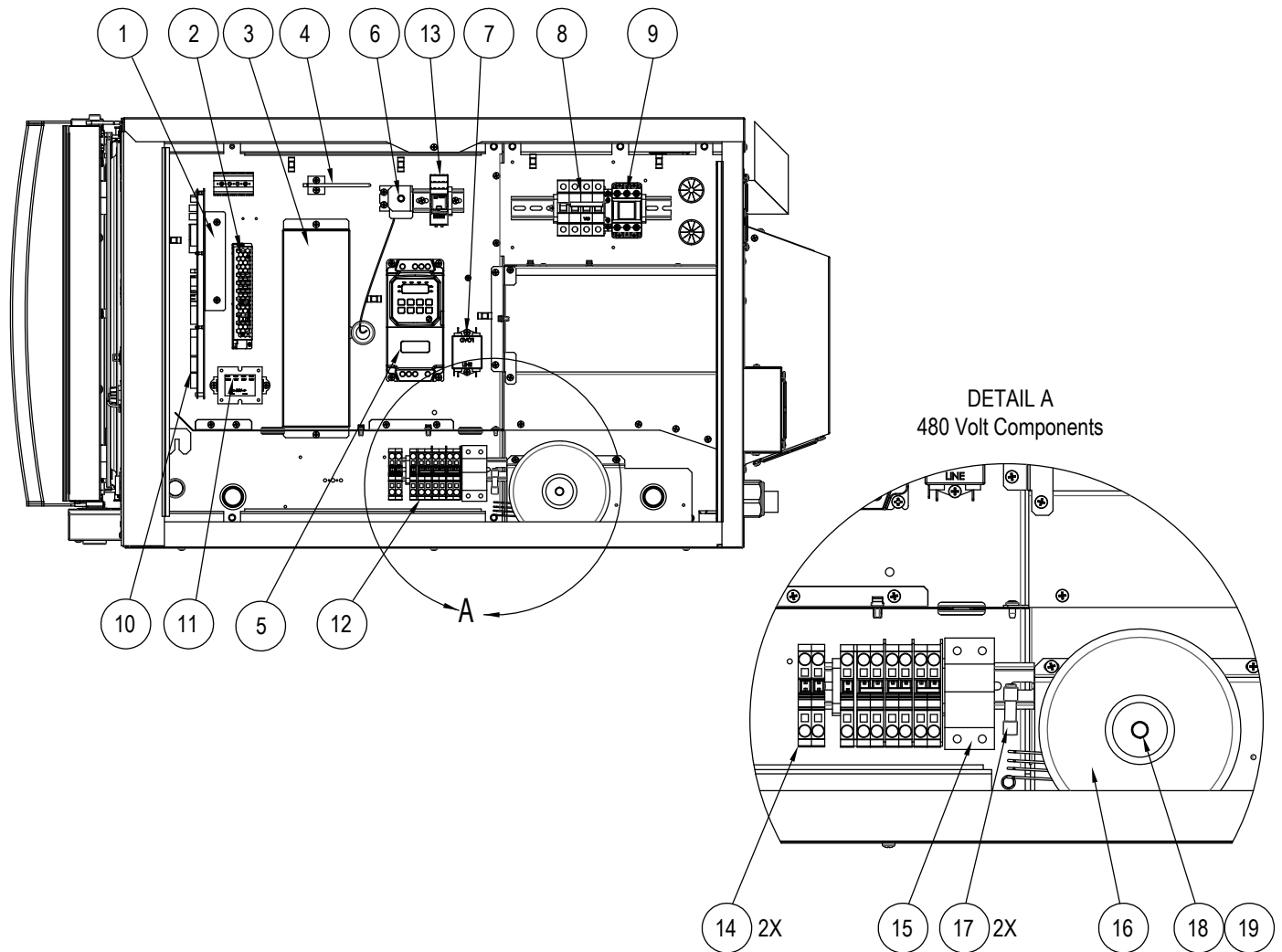


| <b>Ref. No.</b> | <b>Part No.</b> | <b>Description</b>        |
|-----------------|-----------------|---------------------------|
| 1               | 58910           | BODY SIDE, LEFT           |
| 2               | 51081           | HINGE, LEFT               |
| 3               | 51590           | HING PIN (LEFT & RIGHT)   |
| 4               | 58824           | LATCH CATCH ASSEMBLY      |
| 5               | 58902           | FRONT TRIM, LEFT          |
| 6               | 51698           | TRIM, LOWER FRONT         |
| 7               | 51082           | HINGE, RIGHT              |
| 8               | 58911           | BODY SIDE, RIGHT          |
| 9               | 58978           | BODY BACK, LEFT, ELECTRIC |
| 10              | 52947           | AXIAL FAN                 |

| <b>Ref. No.</b> | <b>Part No.</b> | <b>Description</b>       |
|-----------------|-----------------|--------------------------|
| 11              | 58970           | FAN MOUNT, HV100         |
| 12              | 59020           | FAN COVER, HV100         |
| 13              | M0571           | FAN GUARD, 4"            |
| 14              | 59166           | BODY BACK, CENTER BOTTOM |
| 15              | 59167           | BODY BACK, ACCESS COVER  |
| 16              | 59165           | BODY BACK, CENTER TOP    |
| 17              | 58903           | BODY BACK, RIGHT         |
| 18              | 58901           | BODY TOP                 |
| 19              | 16384           | 10-24 TRUSS HEAD SCREW   |

# ELECTRICAL COMPONENTS

## FOR HV-100E-AB OVENS (MANUFACTURED AFTER 1/10/2017)

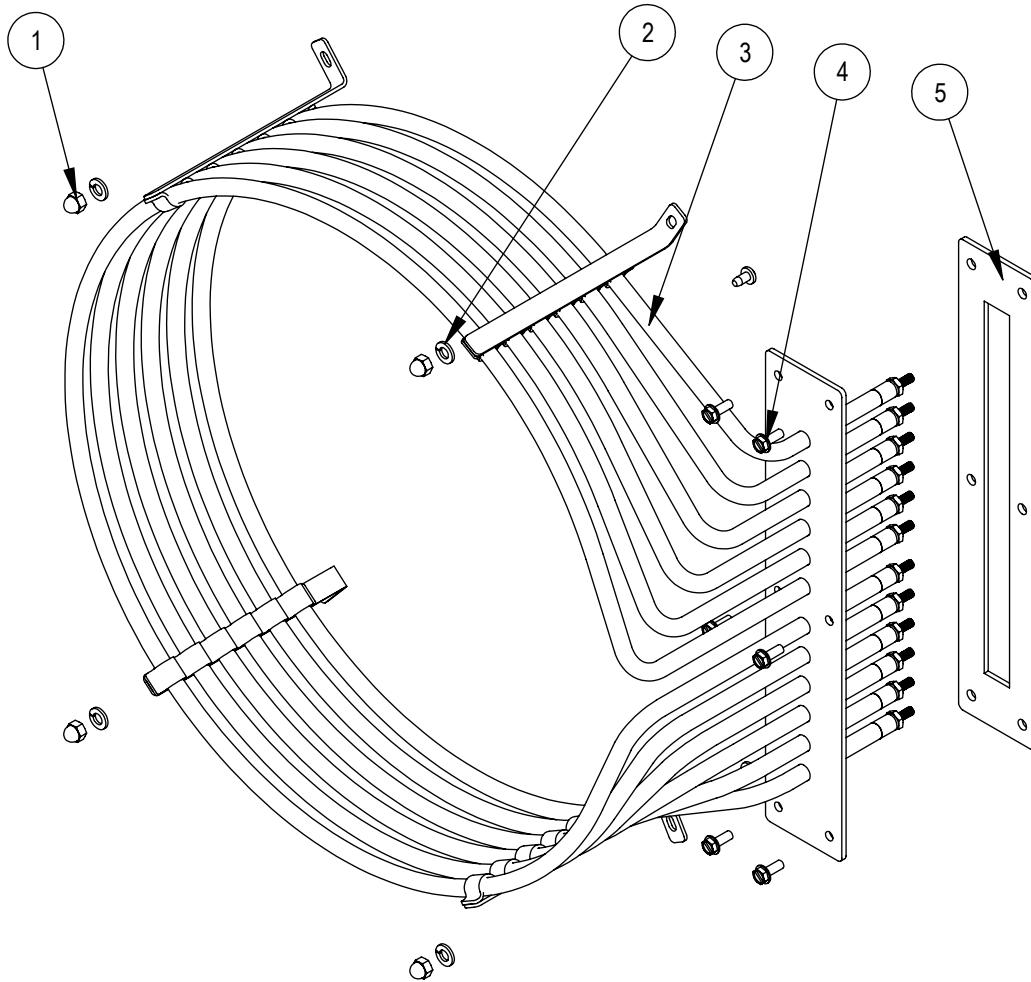


| <u>Ref. No.</u> | <u>Part No.</u> | <u>Description</u>             |
|-----------------|-----------------|--------------------------------|
| 1               | 53321           | I/O BOARD BRACKET              |
| 2               | 59331           | 24VDC POWER SUPPLY             |
| 3               | 58897           | LIGHT ACCESS COVER             |
| 4               | 56873           | PROBE, 1K RTD                  |
| 5               | 59744           | PROG. INVERTER (TS CTRL)       |
| 6               | 36441           | THERMOSTAT, HIGH LIMIT         |
| 7               | 53902           | EMI FILTER                     |
| 8               | 53271           | CIRCUIT BREAKER 50A 3 POSITION |
| 9               | 59049           | CONTACTOR                      |
| 10              | 57727           | RELAY BOARD, TOUCHSCREEN       |
| 10              | 54380           | INTERFACE BOARD, HV100 MANUAL  |
| 11              | 38303           | TRANSFORMER, 40V A             |

| <u>Ref. No.</u> | <u>Part No.</u> | <u>Description</u>                  |
|-----------------|-----------------|-------------------------------------|
| 12              | 39733           | MAIN POWER TERMINAL BLOCK W/ GROUND |
| 13              | 59146           | RELAY, 3DPT, 24VDC COIL             |
| 14              | 52201           | RELAY, 3 POLE, DT                   |
| 15              | 51454           | FUSE HOLDER, 600V, 30A              |
| 16              | 59201           | TOROIDAL TRANSFORMER 480/240        |
| 17              | 51455           | FUSE, 600V, 7A                      |
| 18              | 56119           | HEX HEAD CAP, 5/16" -18 x 3.5"      |
| 19              | 55642           | WASHER, TOROIDAL MOUNTING           |

# ELEMENT COMPONENTS

## FOR HV-100E-AB OVENS (MANUFACTURED AFTER 1/10/2017)

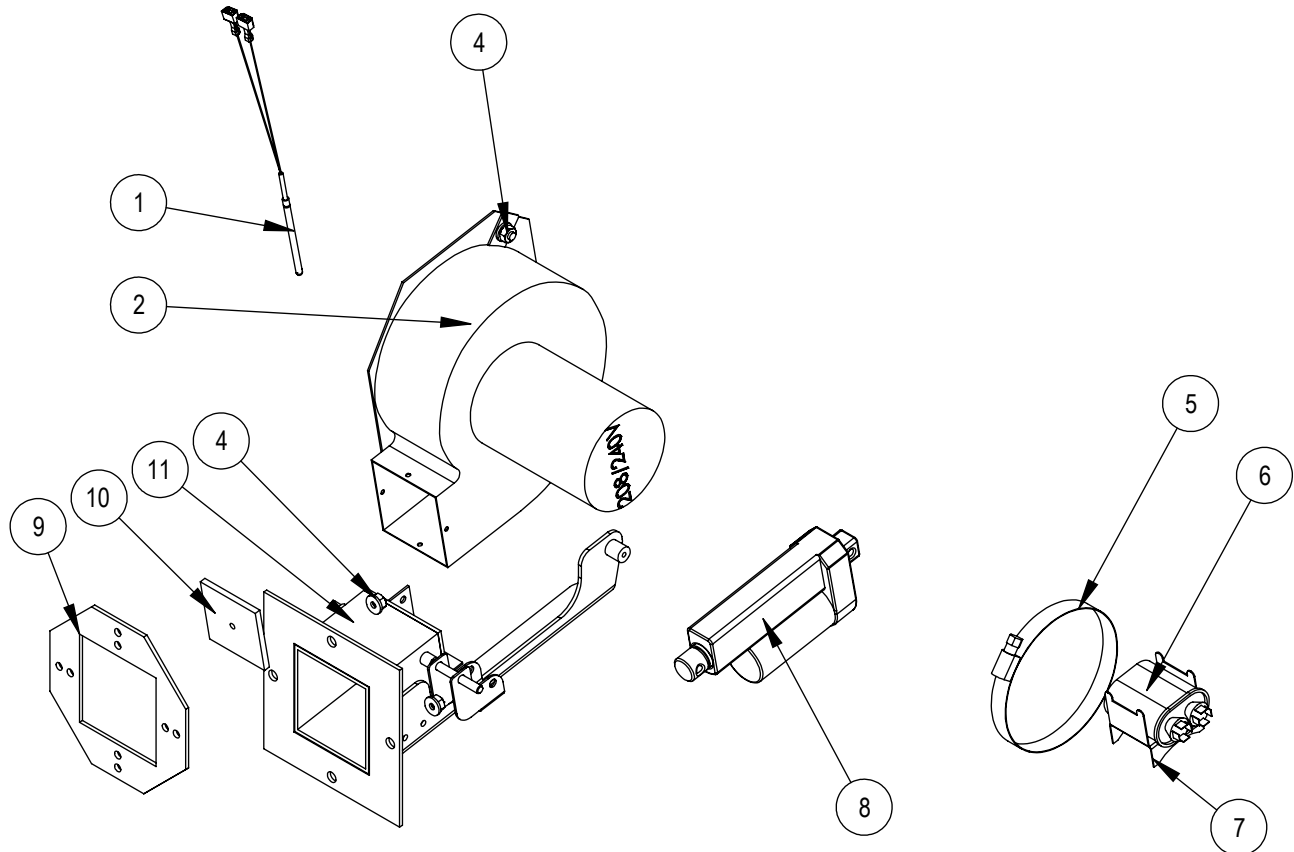


| <b>Ref. No.</b> | <b>Part No.</b> | <b>Description</b>   |
|-----------------|-----------------|----------------------|
| 1               | R0712           | 10-24 ACORN NUT      |
| 2               | M0417           | LOCK WASHER          |
| 3               | 53280           | 208V ELEMENT KIT     |
| 3               | 53281           | 220/240V ELEMENT KIT |

| <b>Ref. No.</b> | <b>Part No.</b> | <b>Description</b>                |
|-----------------|-----------------|-----------------------------------|
| 3               | 53282           | 240/480V ELEMENT KIT              |
| 4               | M6315           | 10-24 X 1/2 HEX WASHER HEAD SCREW |
| 5               | 52304           | GASKET, ELEMENT HV100E            |

# HELIX ASSEMBLY

FOR HV-100E-AB OVENS (MANUFACTURED AFTER 1/10/2017)



| <b>Ref. No.</b> | <b>Part No.</b> | <b>Description</b>         |
|-----------------|-----------------|----------------------------|
| 1               | 51516           | PROBE                      |
| 2               | 57843           | RESTRICTOR PLATE           |
| 3               | 54672           | BLOWER, 208/240V           |
| 4               | R8216           | 1/4-20 SERRATED FLANGE NUT |
| 5               | 58618           | CLAMP                      |
| 6               | 38610           | CAPACITOR                  |

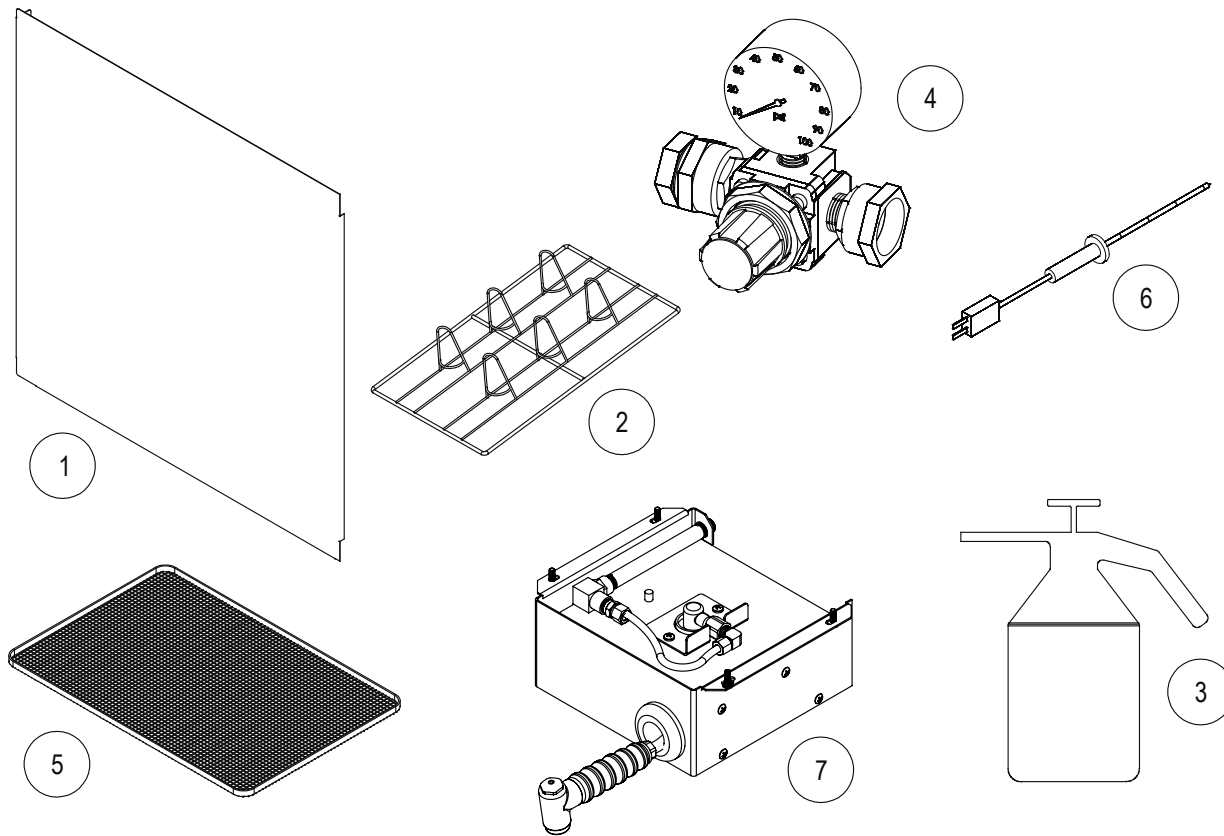
| <b>Ref. No.</b> | <b>Part No.</b> | <b>Description</b> |
|-----------------|-----------------|--------------------|
| 7               | 61645           | BRACKET, CAPACITOR |
| 8               | 50617           | ACTUATOR, 24V      |
| 9               | 57726           | GASKET, HELIX      |
| 10              | 57671           | FLAPPER GASKET     |
| 11              | 57668           | HELIX MECH.        |

# **HVH-100E & HVH-100E-AB OVENS**



# ACCESSORIES

## FOR ALL OVENS



| Ref. No. | Part No. | Description                         | Ref. No. | Part No. | Description                             |
|----------|----------|-------------------------------------|----------|----------|---|
| 1        | 52889    | HEAT SHIELD KIT                     |          | 53057    | 8-1/2" LEGS W/CASTERS (SET OF 4)        |
| 2        | 52387    | CHICKEN ROASTING RACK               |          | 53058    | 11" LEGS W/FEET (SET OF 4)              |
| 3        | R10955   | SPRAY BOTTLE                        |          | 53059    | 11" LEGS W/SEISMIC FEET (SET OF 4)      |
| 4        | 52815    | PRESSURE REGULATOR, W/O HOSE REEL   | 6        | 56545    | MEAT PROBE, 4", DUAL SENSOR             |
|          | 54734    | PRESSURE REGULATOR W/HOSE REEL      | 6        | 56546    | MEAT PROBE, 6", DUAL SENSOR             |
| 5        | 54247    | FRENCH FRY RACK                     |          | 59292    | SPRAY NOZZLE W/BRACKET (FOR SPRAY HOSE) |
|          | 8598     | 25" S/S LEGS W/FEET (SET OF 4)      |          | 59176    | WATER MANIFOLD                          |
|          | 16002    | CASTERS (SET OF 4)                  |          |          |   |
|          | 54698    | 34" OPEN STAND W/GUIDES AND FEET    |          |          |   |
|          | 54699    | 34" OPEN STAND W/GUIDES AND CASTERS |          |          |   |
|          | 33196    | 6" SEISMIC LEGS (SET OF 4)          |          |          |   |
|          | 8600     | 6" S/S LEGS W/FEET (SET OF 4)       |          |          |   |