



**HVH-100G & HVH-100G-AB
GAS HYDROVECTION HELIX OVENS
REPLACEMENT PARTS LIST**

EFFECTIVE JANUARY 11, 2019

Superseding All Previous Parts Lists.

The Company reserves the right to make substitution in the event that items specified are not available.

ERRORS: Descriptive and/or typographic errors are subject to correction.

BLODGETT OVEN COMPANY

42 Allen Martin Drive, Essex Junction, Vermont 05452 USA Telephone: (802) 658-6600 Fax: (802) 860-3732
www.blodgett.com

P/N 58530 Rev V

SERIAL NUMBER LOCATION / KEY:

IMPORTANT: When ordering parts, please provide the model, gas type and serial number of the oven. The identification plate is located on the back of the oven.

**SERIAL NUMBER IDENTIFICATION CODE:
IE OR DU = HVH-100G HYDROVECTION OVEN**

SERIAL NUMBER EXAMPLES

012114DU001

01/21/14 = DATE

DU = LETTER CODE FOR HV-100G

001 = FACTORY SEQUENCE

TO OBTAIN LITERATURE:

Email: literature@blodgett.com
or visit
www.blodgett.com

TABLE OF CONTENTS

HVH-100G OVENS - OVENS BUILT BEFORE 1/7/2017

SMART TOUCH CONTROL.....	5
DOORS.....	6
INTERIOR COMPONENTS.....	7
VENT COMPONENTS.....	8
MOTOR.....	9
EXTERIOR COMPONENTS.....	10
ELECTRICAL COMPONENTS.....	11
BURNER ASSEMBLY.....	12
HELIX ASSEMBLY.....	13

HVH-100G-AB OVENS - OVENS BUILT AFTER 1/7/2017

SMARTTOUCH CONTROL.....	15
SMARTTOUCH 2 CONTROL.....	16
DOORS.....	17
INTERIOR COMPONENTS.....	18
REAR COMPONENTS.....	19
MOTOR ASSEMBLY.....	20
EXTERIOR COMPONENTS.....	21
ELECTRICAL COMPONENTS.....	22
BURNER ASSEMBLY.....	23
HELIX ASSEMBLY.....	24

HVH-100G & HVH-100G-AB OVENS - OVENS BUILT BEFORE OR AFTER 1/7/2017

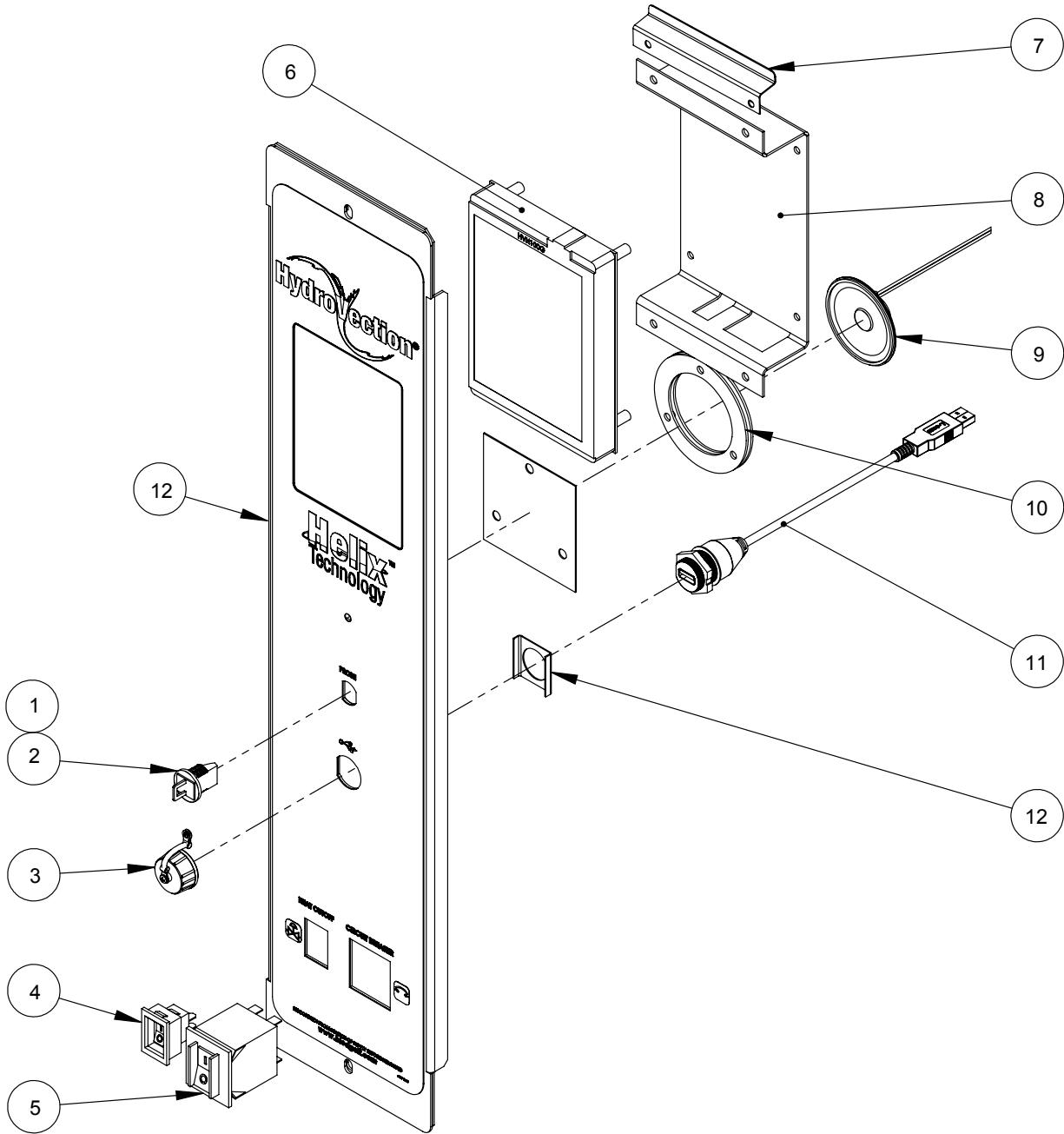
ACCESSORIES.....	27
------------------	----

HVH-100G OVENS

(All Full Size Hydrovection ovens manufactured before 1/7/2017)

SMART TOUCH CONTROL

FOR HVH-100G OVENS (MANUFACTURED BEFORE 1/7/2017)

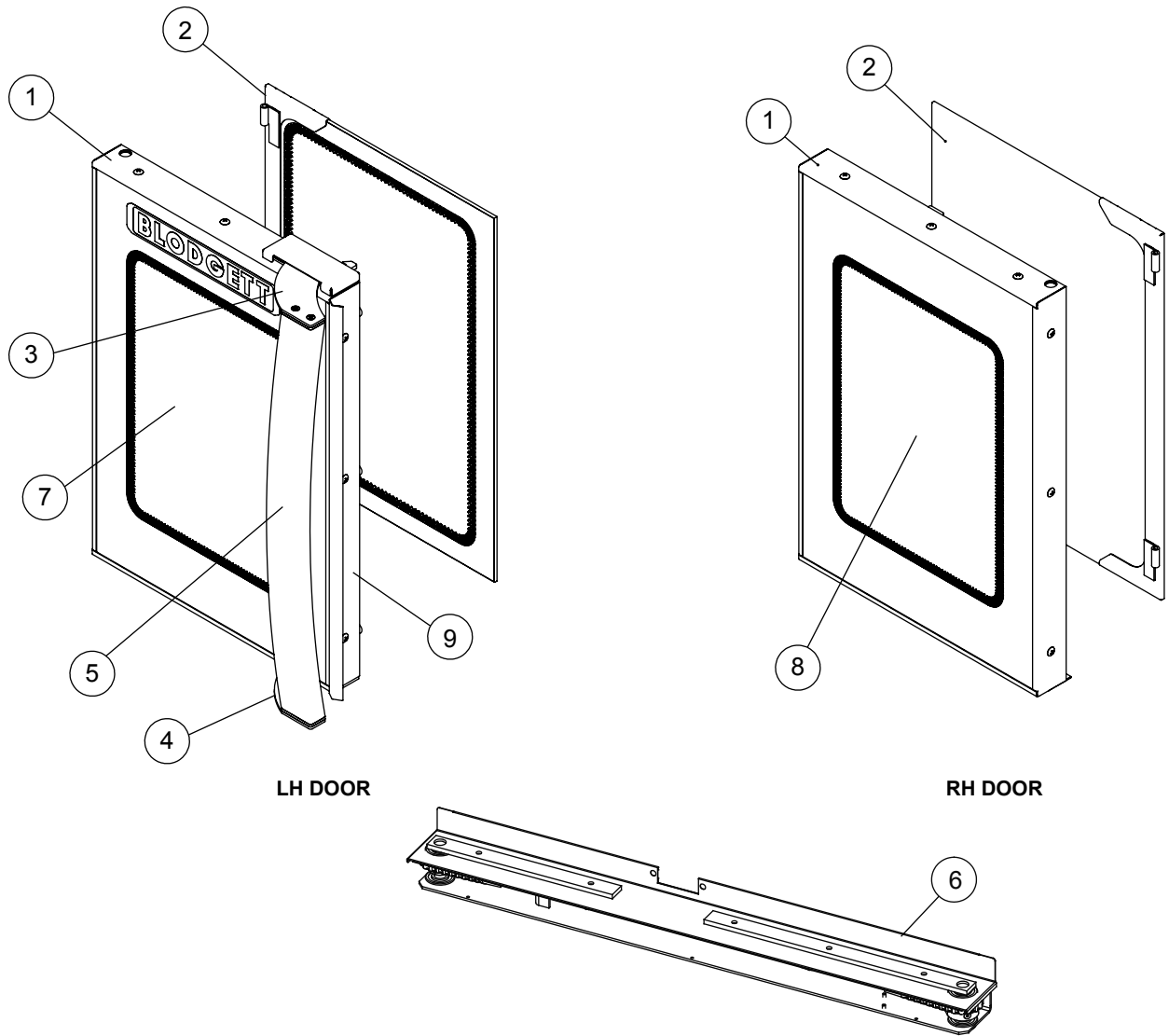


Ref. No.	Part No.	Description
1	39781	MEAT PROBE JACK
2	39782	PLUG, MEAT PROBE JACK
3	52161	COVER, USB
4	36376	GAS SWITCH
5	39688	CIRCUIT BREAKER, 20A
6	58438	TS CONTROL, HVH-100G
7	52806	DEFLECTOR

Ref. No.	Part No.	Description
8	53986	TS FRAME
9	59777	SPEAKER KIT, W/RETAINERS
10	59616	SPEAKER RETAINER
11	52160	USB PLUG
12	58600	PANEL & DECAL
	54330	COMMUNICATIONS PANEL

DOORS

FOR HVH-100G OVENS (MANUFACTURED BEFORE 1/7/2017)

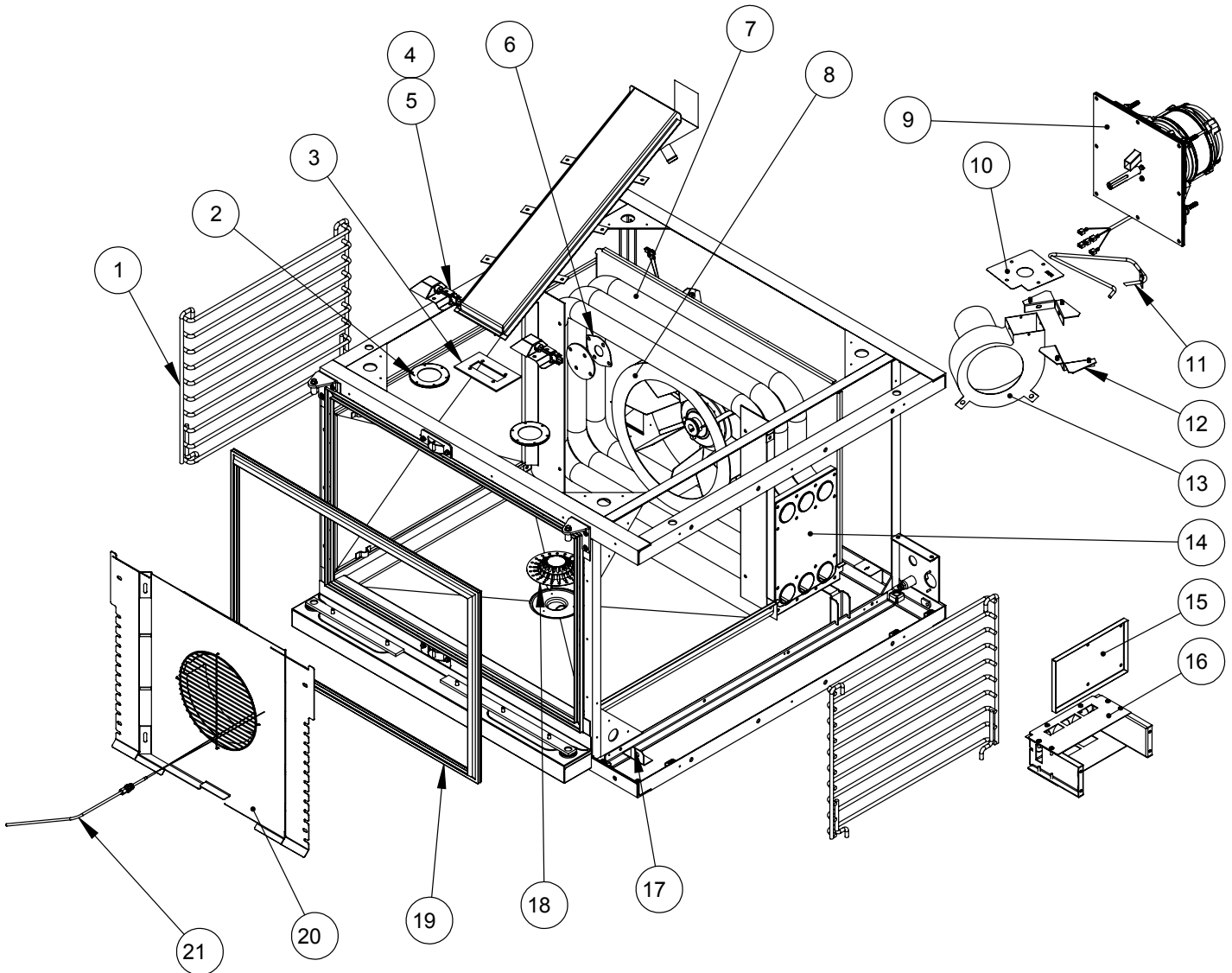


Ref. No.	Part No.	Description
1	55528	LH OUTER DOOR (COMPLETE AS SHOWN)
1	55542	RH OUT DOOR (COMPLETE AS SHOWN)
2	51534	LH INNER GLASS
	51556	RH INNER GLASS
3	58939	LATCH ASSY, RECT, LH
4	58938	LATCH ASSY, RECT, RH
5	55608	DOOR HANDLE

Ref. No.	Part No.	Description
6	57953	DOOR TURNBUCKLE
	52514	DOOR SWITCH
7	55531	LH FRONT GLASS
8	55532	RH FRONT GLASS
9	55533	CENTER TRIM
	51610	CENTER DOOR GASKET
	60185	BUMPER (SCREW IN STYLE)

INTERIOR COMPONENTS

FOR HVH-100G OVENS (MANUFACTURED BEFORE 1/7/2017)

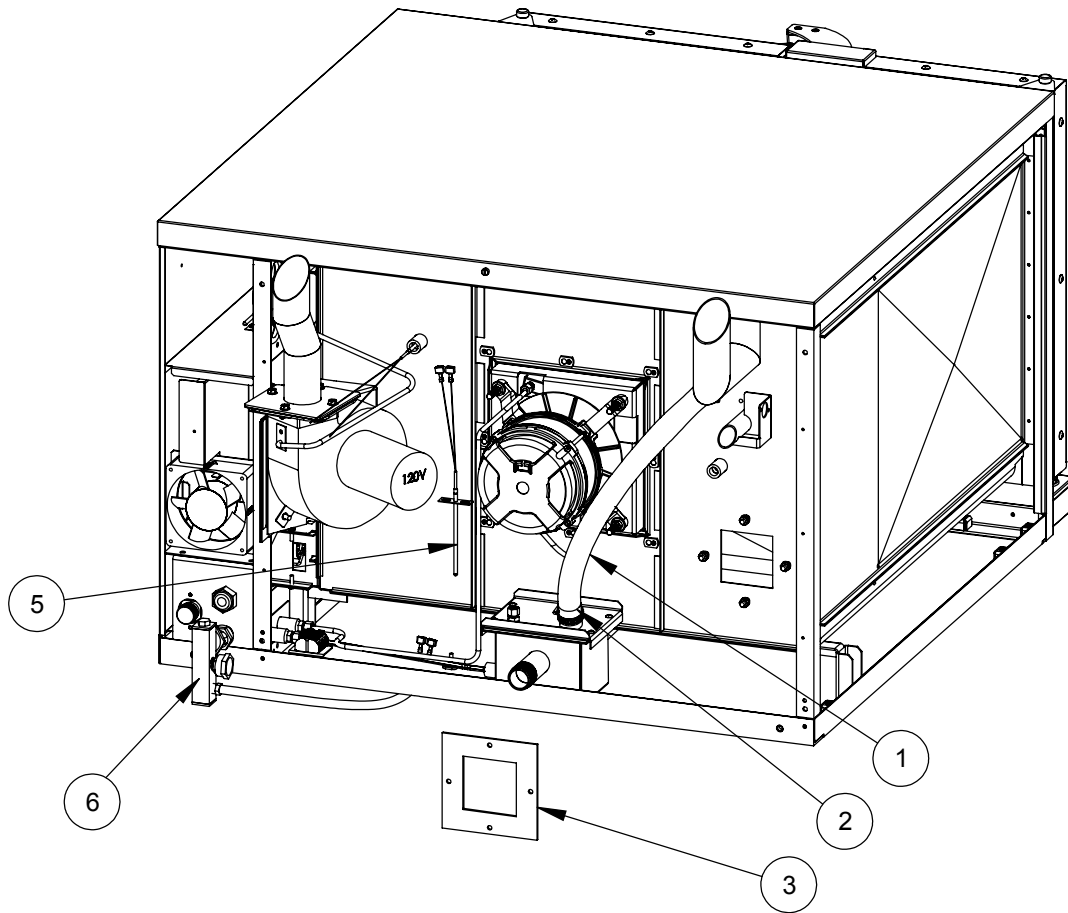


Ref. No.	Part No.	Description
1	54856	SIDE RACK SUPPORT (SET OF 2)
2	53081	LIGHT LENS AND GASKET
3	58996	CAVITY VENT GASKET
4	53101	LIGHT BULB FOR ROUND LIGHT
5	53194	LIGHT SOCKET
6	58513	INTAKE VENT GASKET
7	54791	HEAT EXCHANGER
8	55303	BLOWER WHEEL W/KEY
9	54293	MOTOR ASSEMBLY
10	55742	RESTRICTOR PLATE, NATURAL GAS
11	55772	PRESSURE TUBE ASSY

Ref. No.	Part No.	Description
12	55776	Draft Inducer Adapter
13	55603	BLOWER MOTOR & GASKET, 120V
14	54634	HEAT EXCHANGER GASKET
15	54404	DRAFTINDUCER BOX COVER
16	54164	BURNER BOX ASSEMBLY
17	36441	HIGH LIMIT THERMOSTAT
18	50506	DRAIN STRAINER
19	52716	PERIMETER GASKET
20	57496	BAFFLE
21	53007	CAVITY TEMPERATURE PROBE KIT
	59046	WIRE RACK

VENT COMPONENTS

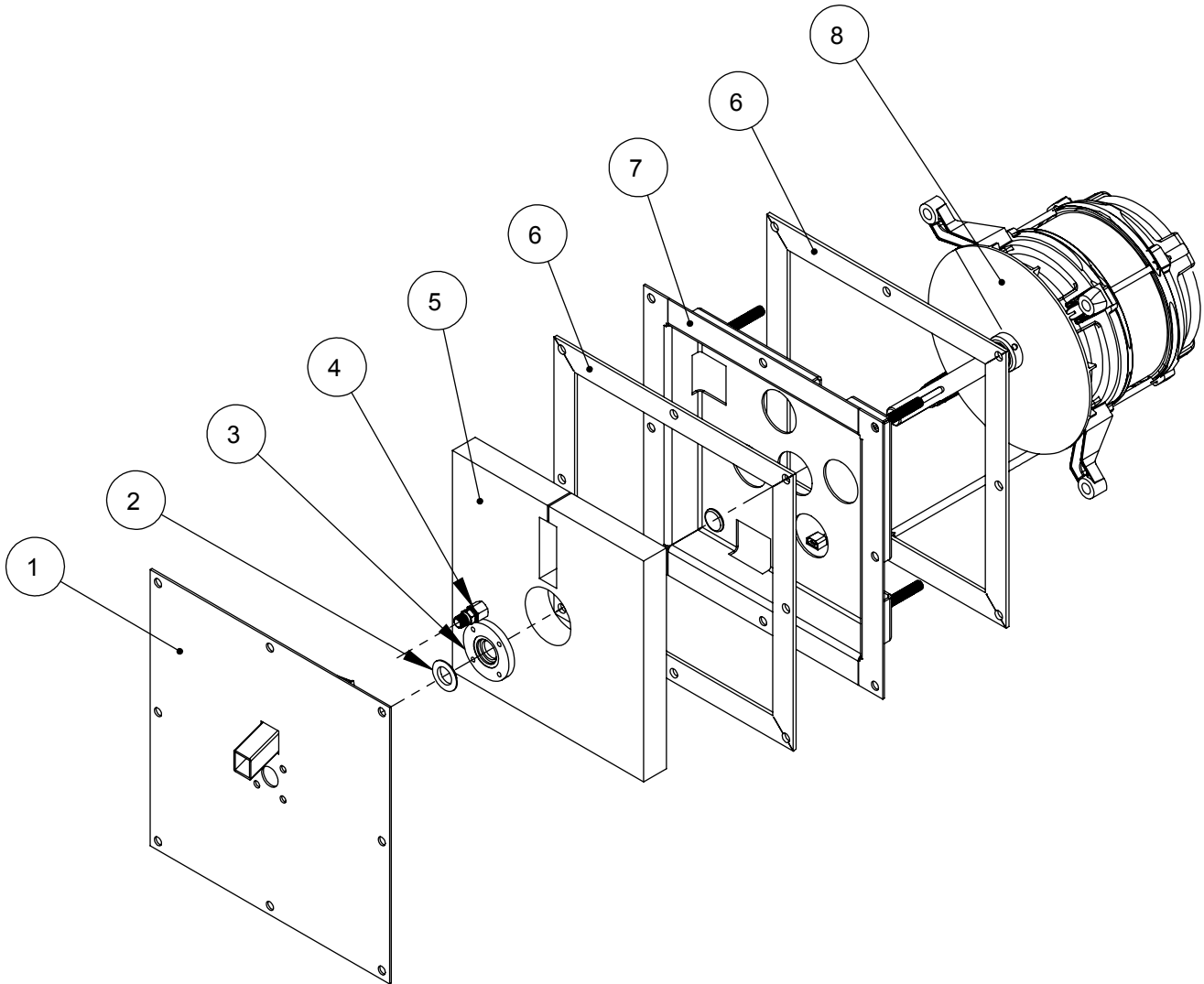
FOR HVH-100G OVENS (MANUFACTURED BEFORE 1/7/2017)



Ref. No.	Part No.	Description
1	57025	SILICONE HOSE (BY THE INCH)
2	R0254	HOSE CLAMP
3	57726	HELIX ASSEMBLY GASKET
5	36720	QUENCH PROBE
6	54715	WATER MANIFOLD ASSEMBLY

MOTOR

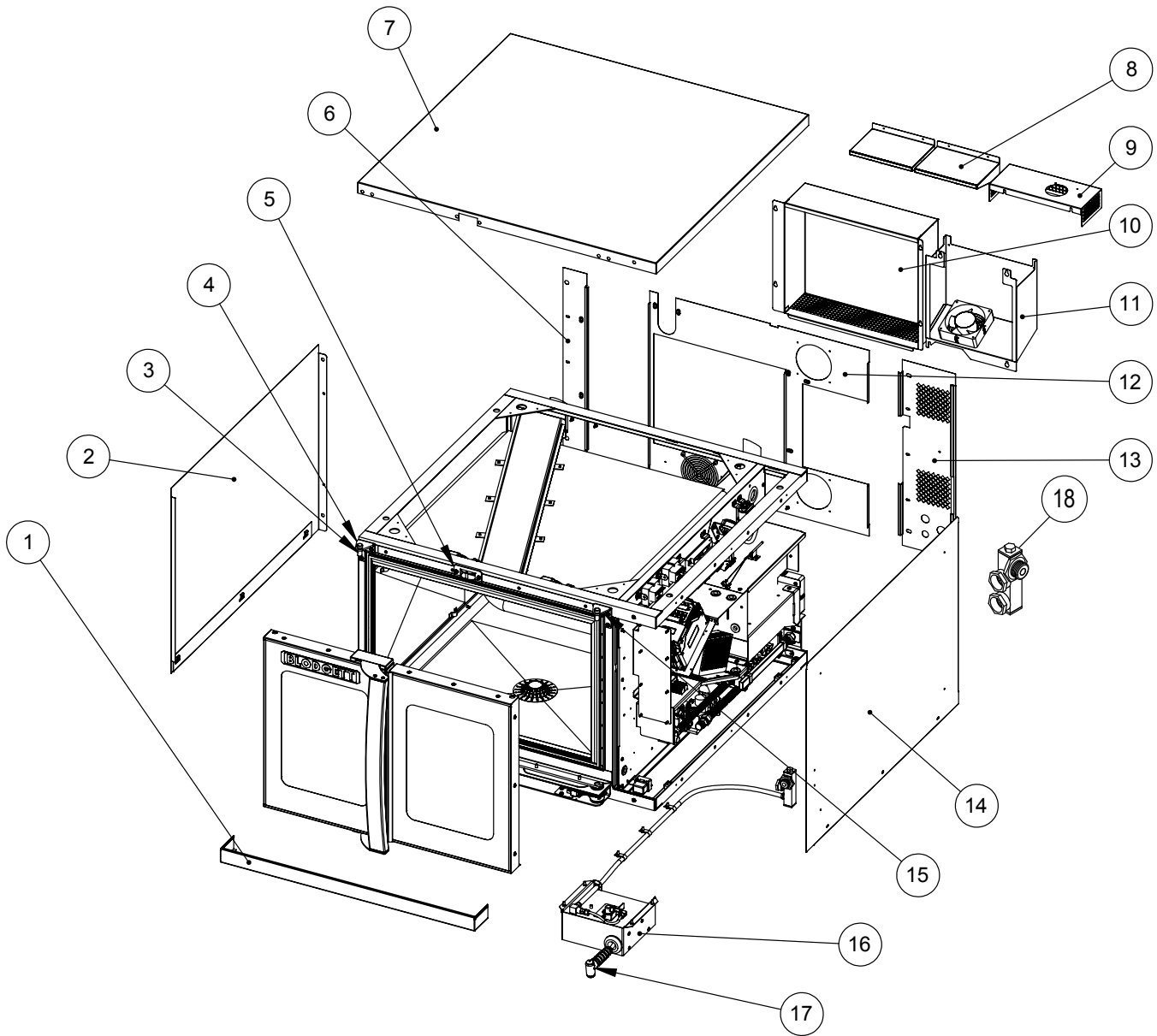
FOR HVH-100G OVENS (MANUFACTURED BEFORE 1/7/2017)



Ref. No.	Part No.	Description
1	54296	COVER PLATE ASSEMBLY
2	R4244	SHAFT SEAL
3	R8955	SEAL RETAINER
4	M0959	COMPRESSION FITTING
5	57318	INSULATION
6	56956	MOTOR GASKET
7	54294	MOTOR MOUNT
8	55301	MOTOR

EXTERIOR COMPONENTS

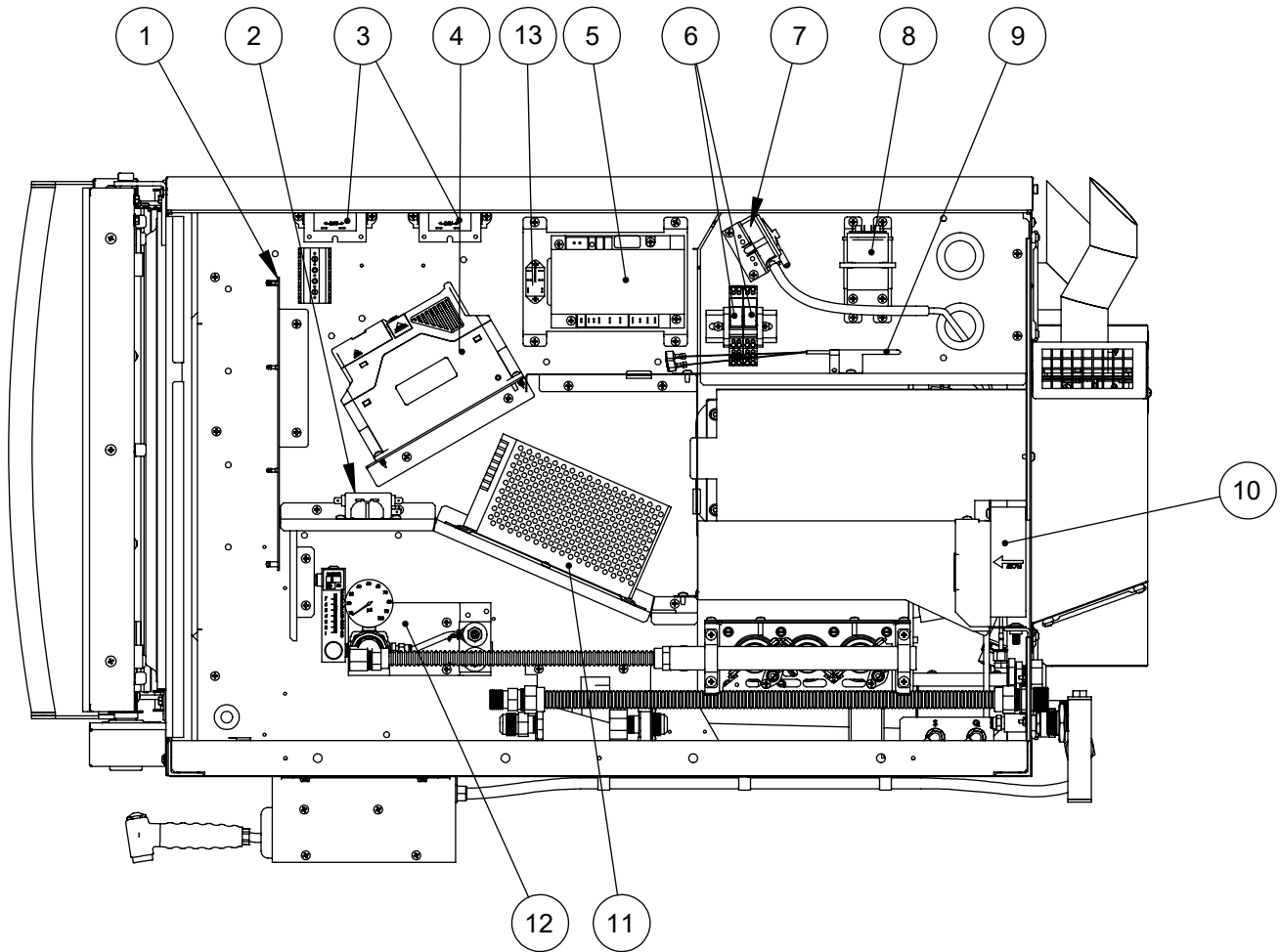
FOR HVH-100G OVENS (MANUFACTURED BEFORE 1/7/2017)



Ref. No.	Part No.	Description	Ref. No.	Part No.	Description
1	51698	FRONT TRIM	11	55788	IDB BOX
2	52479	LH BODYSIDE	12	58333	BODYBACK CENTER, GAS
3	51591	HINGE PIN (LEFT & RIGHT)	13	58334	LH BODYBACK, GAS
4	51082	LH HINGE	14	51105	RH BODYSIDE
5	57889	DOOR LATCH CATCH	15	51081	RH HINGE
6	58331	RH BODYBACK	16	54671	EXTERNAL HOSE REEL KIT
7	51253	BODYTOP		54674	EXTERNAL HOSE REEL ASSEMBLY
8	51630	MOTOR VENT	17	52998	SPRAY NOZZLE (PUSH BUTTON)
9	55736	IDB COVER	18	54715	WATER MANIFOLD ASSEMBLY
10	58332	BODYBACK ACCESS PANEL			

ELECTRICAL COMPONENTS

FOR HVH-100G OVENS (MANUFACTURED BEFORE 1/7/2017)

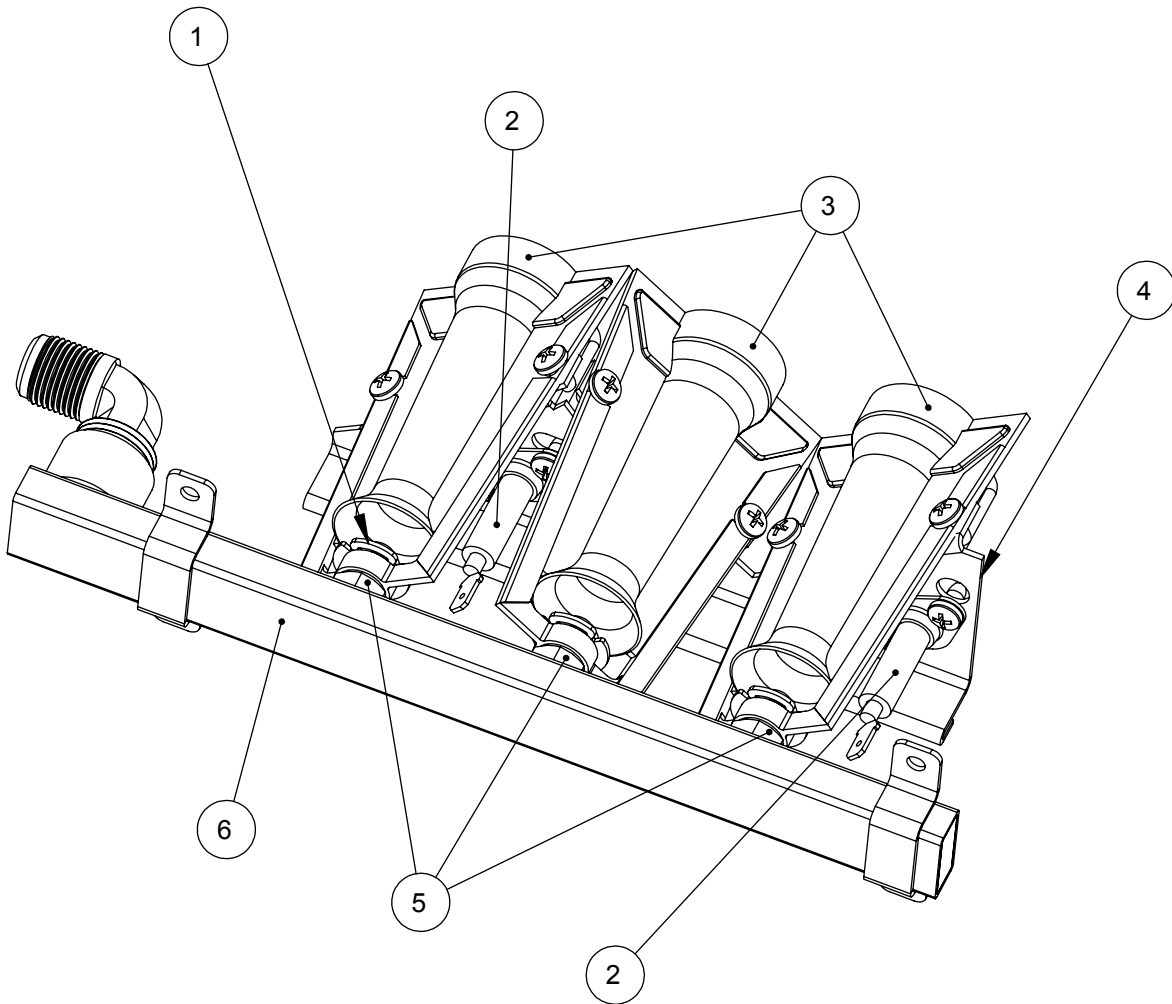


Ref. No.	Part No.	Description
1	57727	INTERFACE BOARD, TOUCH SCREEN
2	53902	EMI FILTER
3	38303	TRANSFORMER, 40V A
4	59745	PROGRAMMED INVERTER, 120V
4	57776	PROGRAMMED INVERTER, 208/240V
5	54388	IGNITION CONTROL
	54503	IGNITION WIRE
6	38604	RELAY, 24V
7	M9422	PRESSURE SWITCH

Ref. No.	Part No.	Description
8	38610	CAPACITOR, 5 MFD
9	51516	PROBE
10	54393	COOLING FAN ASSY
11	52946	POWER SUPPLY, 24 VDC
	M3166	POWER SUPPLY FUSE
12	58533	WATER MANIFOLD ASSY
	52663	WATER TUBING KIT (CONSISTS OF 6' OF EACH COLOR TUBING)
13	56738	24VDC RELAY REPLACEMENT KIT

BURNER ASSEMBLY

FOR HVH-100G OVENS (MANUFACTURED BEFORE 1/7/2017)

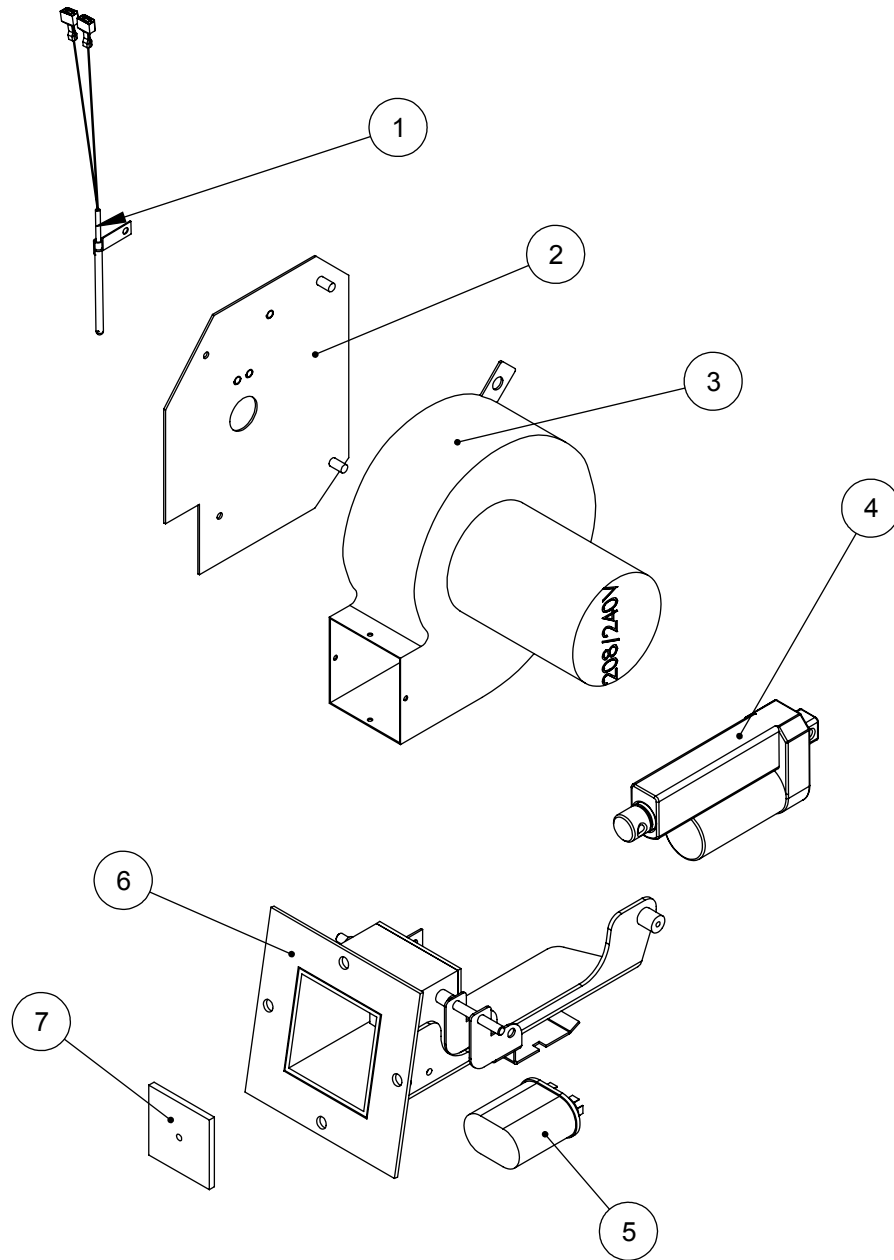


Ref. No.	Part No.	Description
1	38964	RETAINING RING
2	38517	ELECTRODE (FLAME SENSE OR IGNITOR)
3	54638	BURNER
4	54454	BURNER SUPPORT
5	54175	ORIFICE, NATURAL GAS
5	54640	ORIFICE, PROPANE
	57796	KIT, LP TO NAT CONVERSION
	100063	KIT, NAT TO LP CONVERSION

Ref. No.	Part No.	Description
6	54453	BURNER ASSY, NAT GAS
	54645	BURNER ASSY, PROPANE
	33249	FLEX HOSE, 1/2"
	36229	FLEX LINE, GAS SUPPLY
	38742	GAS VLAVE, NAT GAS
	38743	GAS VALVE, PROPANE

HELIX ASSEMBLY

FOR HVH-100G OVENS (MANUFACTURED BEFORE 1/7/2017)



Ref. No.	Part No.	Description
1	51516	PROBE
2	57843	RESTRICTOR PLATE
3	38515	BLOWER, 120V
3	54672	BLOWER, 208/240V

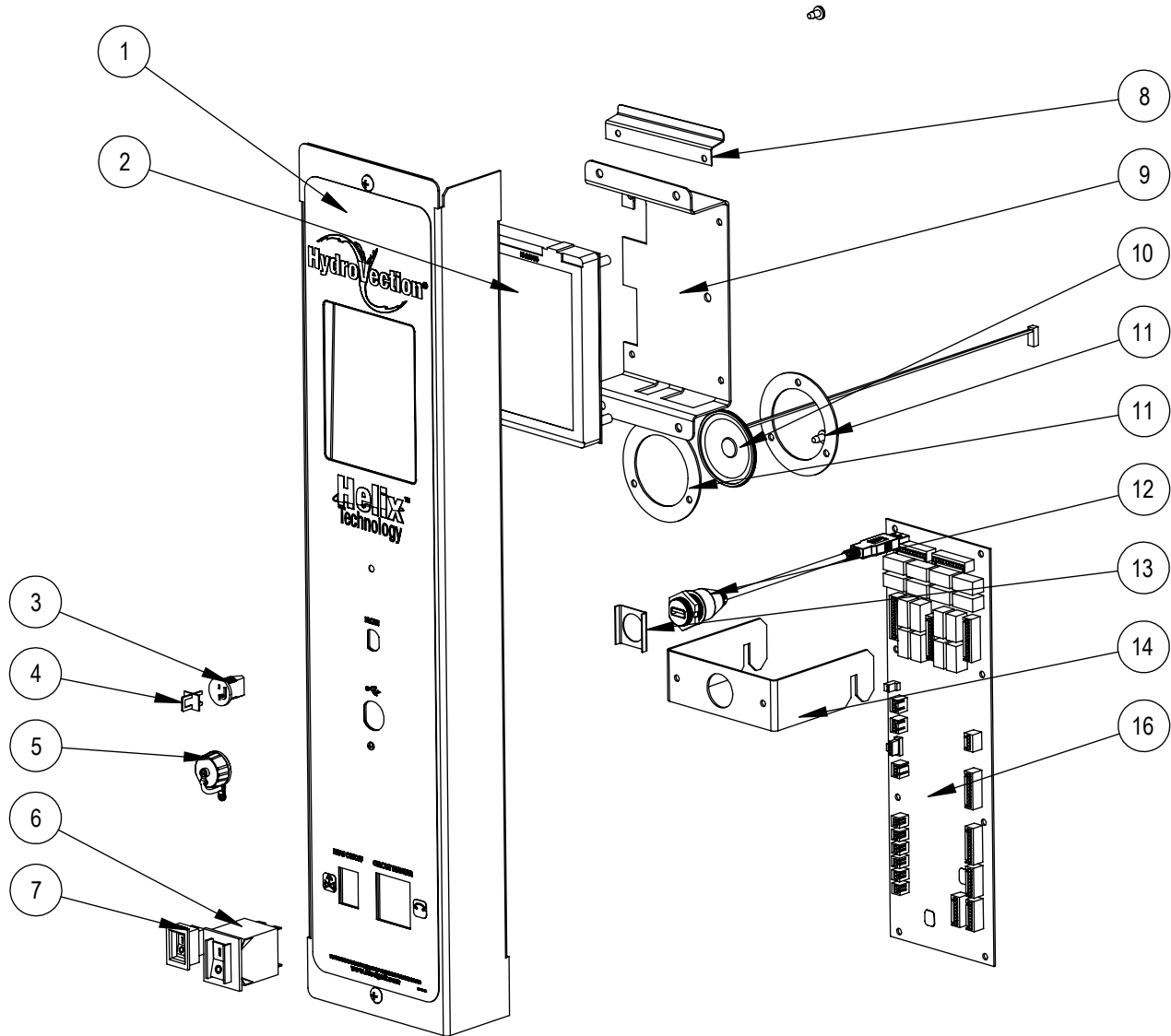
Ref. No.	Part No.	Description
4	50617	ACTUATOR, 24V
5	38610	CAPACITOR
6	57668	HELIX FLAPPER ASSEMBLY
7	57671	FLAPPER GASKET

HVH-100G-AB OVENS

(All Full Size Hydrovection ovens manufactured after 1/7/2017)

SMARTTOUCH CONTROL

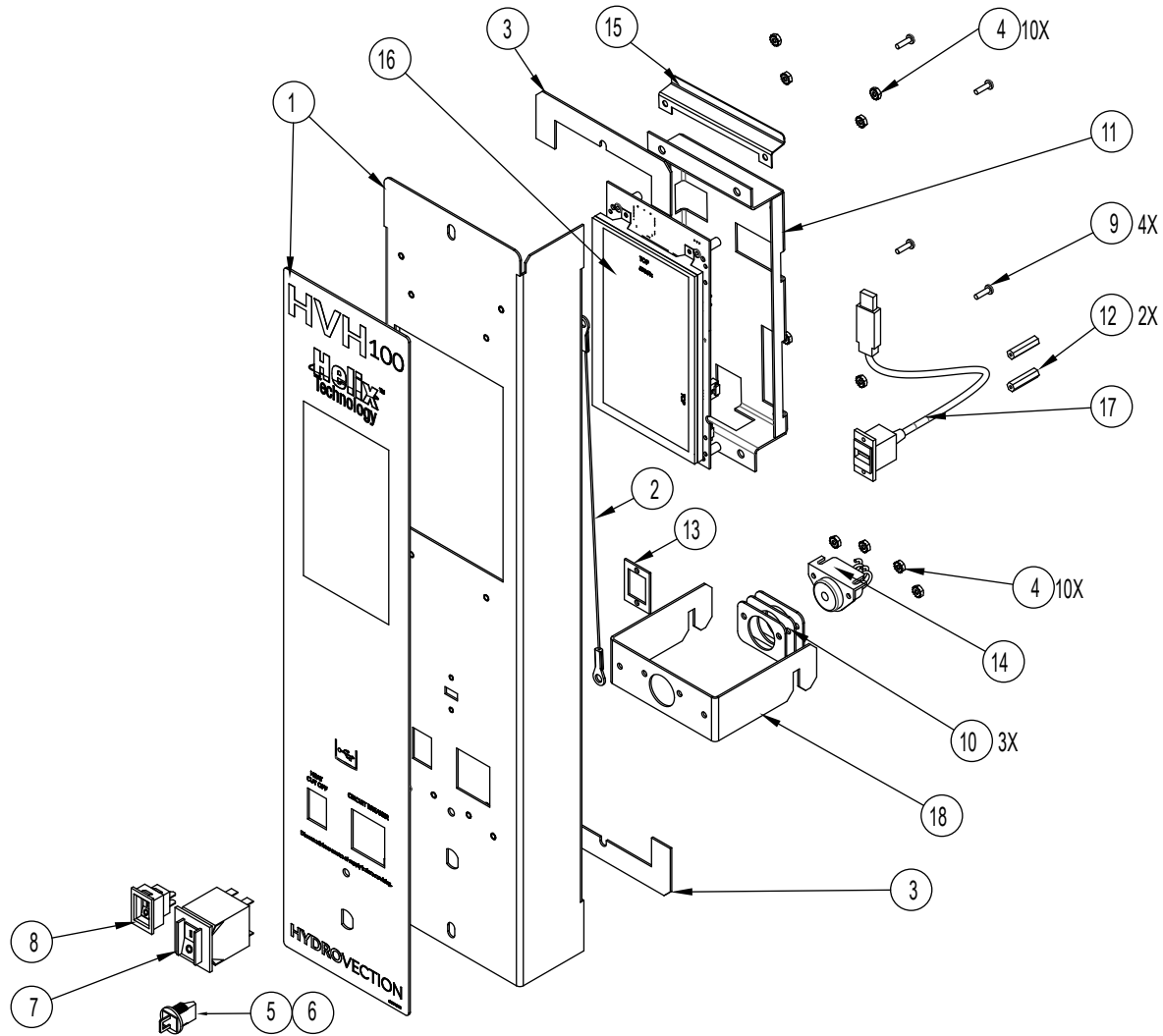
FOR HVH-100G OVENS (MANUFACTURED AFTER 1/7/2017 AND BEFORE 8/1/2017)



Ref. No.	Part No.	Description	Ref. No.	Part No.	Description
1	59204	PANEL & DECAL	11	59616	SPEAKER RETAINER
2	59149	TOUCH SCREEN, HVH100	12	52160	USB CABLE
3	39782	MEAT PROBE JACK	13	52600	SPACER, USB PORT
4	39781	MEAT PROBE JACK PLUG	14	58918	BRACKET, HANGING, HV100
5	52161	COVER, USB	15	54330	COMMUNICATION CABLE, HV100 TS
6	39688	CIRCUIT BREAKER, 20A	16	57727	RELAY BOARD, TOUCH SCREEN
7	36376	SWITCH, GAS, ON/OFF		58919	CONTROL PANEL ASSEMBLY, COMPLETE AS SHOWN (WITHOUT RELAY BOARD)
8	52806	DEFLECTOR			
9	53986	TOUCH SCREEN FRAME			
10	59777	SPEAKER KIT, W/RETAINERS			

SMARTTOUCH 2 CONTROL

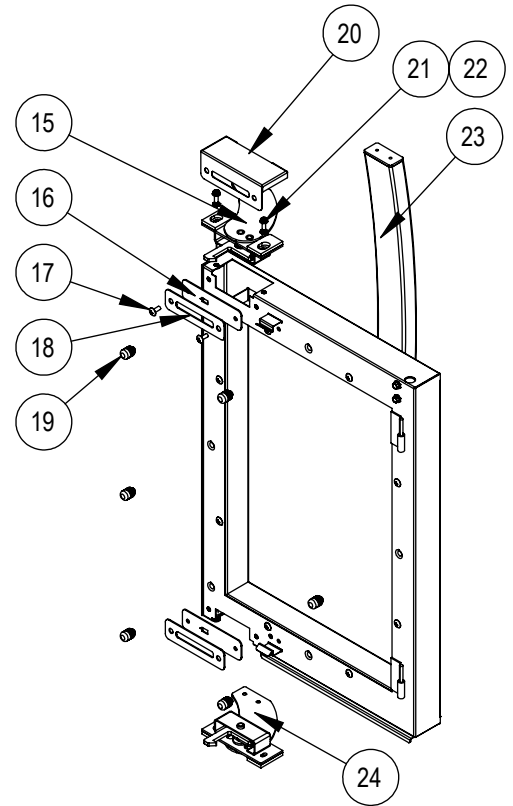
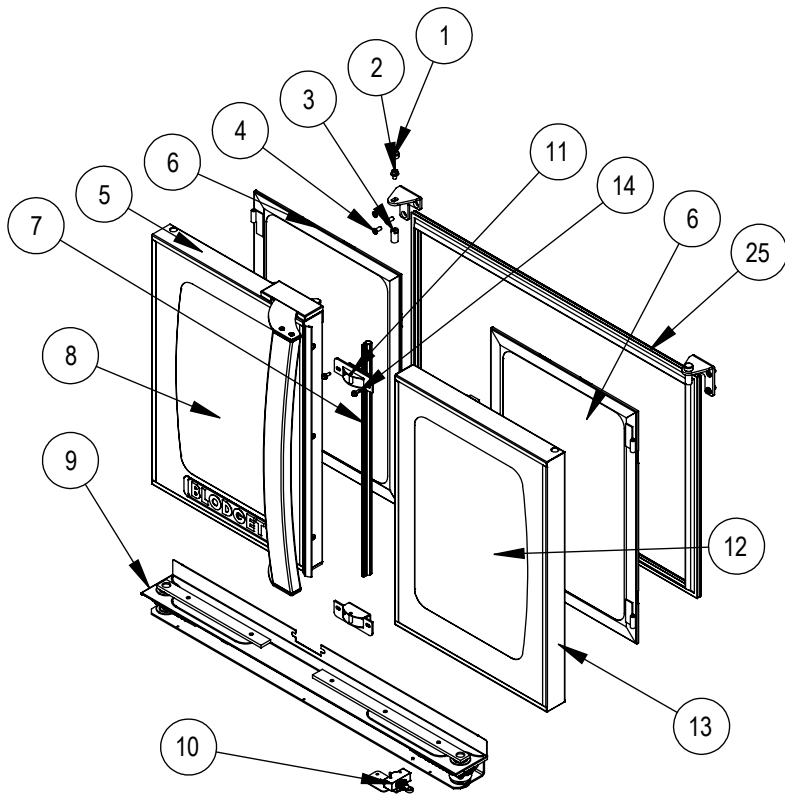
FOR HV-100E-AB OVENS (MANUFACTURED AFTER 8/1/2017)



Ref. No.	Part No.	Description	Ref. No.	Part No.	Description
1	59856	PANEL & DECAL ASSY	15	59349	DEFLECTOR BRACKET
2	20043	12" STRAIN RELIEF	16	59361	CONTROL, TS, HVH100
3	R4872	TILT PANEL GASKET	16	59829	CONTROL, TS, HVH100 K12
4	M3367	NUT 6-32 KEPS	17	59565	USB CABLE
5	39781	MEAT PROBE JACK	18	58918	HANGING BRACKET
6	39782	MEAT PROBE JACK PLUG	19	59032	HARNASS, HV FRONT LINE (NOT SHOWN)
7	39688	CIRCUIT BREAKER, 20A	20	59029	HARNASS, HV FRONT TS DIGI (NOT SHOWN)
8	36376	GAS ON/OFF SWITCH	21	59542	HARNASS, BEEPER, ADDER (NOT SHOWN)
9	34478	SCREW, 6-32 X 0.5 SELF TAPPING	22	54330	COM CABLE, 20", TOUCHSCREEN (NOT SHOWN)
10	53921	BUZZER SPACER			
11	59348	TOUCH SCREEN BRACKET			
12	59434	STANDOFF #4-40 X1"			
13	59280	USB SPACER			
14	53759	BUZZER			

DOORS

FOR HVH-100G OVENS (MANUFACTURED AFTER 1/7/2017)

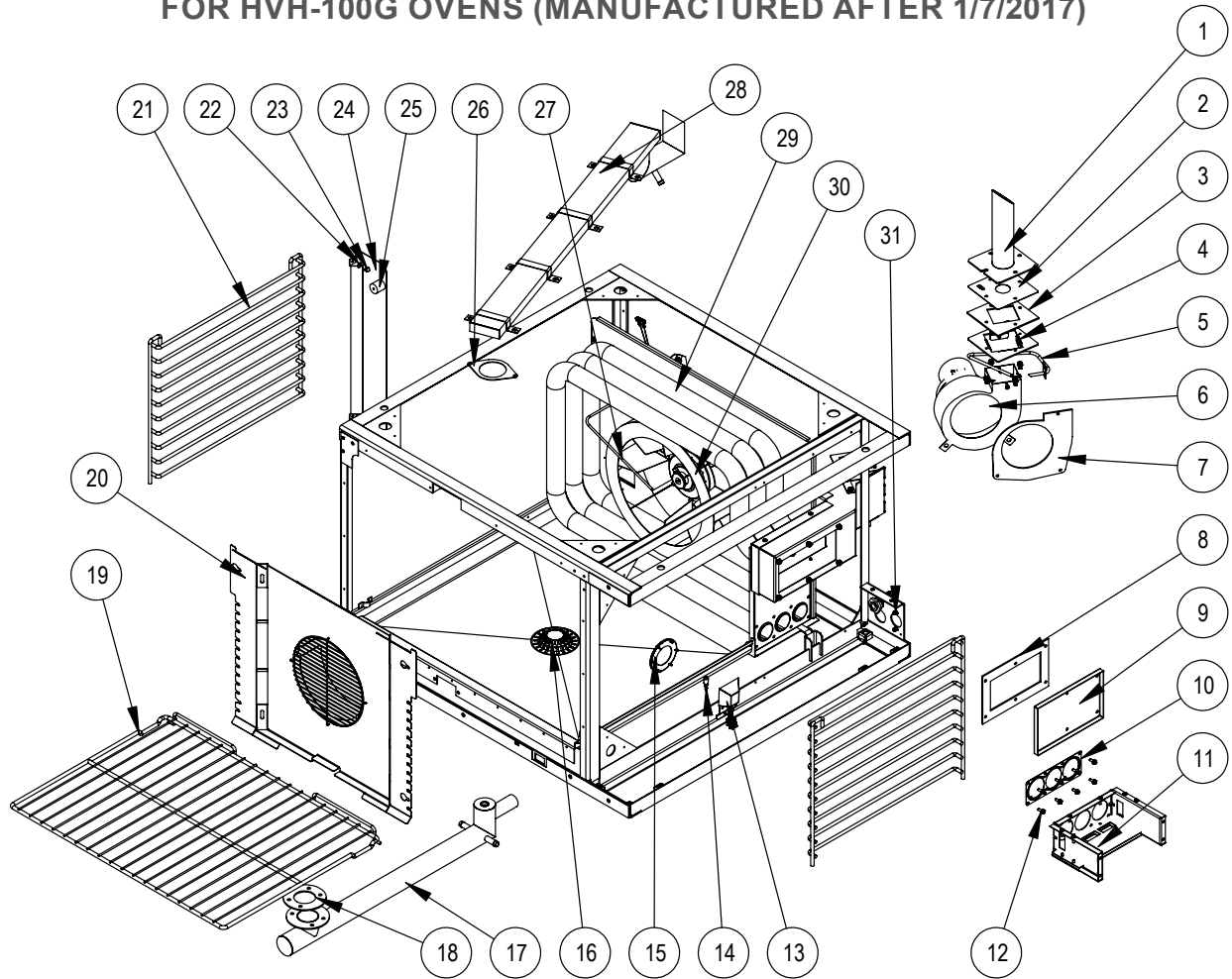


Ref. No.	Part No.	Description
1	52666	HEX BOLT CAP
2	52447	DOOR PIN BOLT
3	51591	PIN, DOOR
4	M1118	SCREW, 1/4-20 X 5/8, FLAT HEAD
5	59140	DOOR ASSEMBLY, LH (COMPLETE AS SHOWN)
6	59013	ASSY, INNER GLASS
7	51610	GASKET, CENTER DOOR
8	59007	FRONT GLASS, LH
9	57953	ASSY, DOOR TURNBUCKLE
10	52514	ASSEMBLY, DOOR SWITCH
11	58824	LATCH CATCH ASSY
12	59006	FRONT GLASS, RH
13	59141	DOOR ASSEMBLY, RH (COMPLETE AS SHOWN)

Ref. No.	Part No.	Description
14	57725	10-24 X 1/2 SERRATED HEX FLANGE
15	58939	LATCH ASSY, RECT, TOP
16	55537	GASKET, DOOR LATCH
17	16384	10-24 X 1/2 TRUSS HEAD SCREW
18	55536	PLATE, LATCH COVER
19	61036	RUBBER BUMPER
20	59018	COVER, LATCH, HV100
21	M6315	10-24 X 1/2 HEX WASHER HEAD SCREW
22	16479	LOCK WASHER, EXTERNAL TOOTH
23	55608	DOOR HANDLE, HV100
24	58938	LATCH ASSY, RECT, BOTTOM
25	52716	GASKET, HV100 PERIMATER BLADE

INTERIOR COMPONENTS

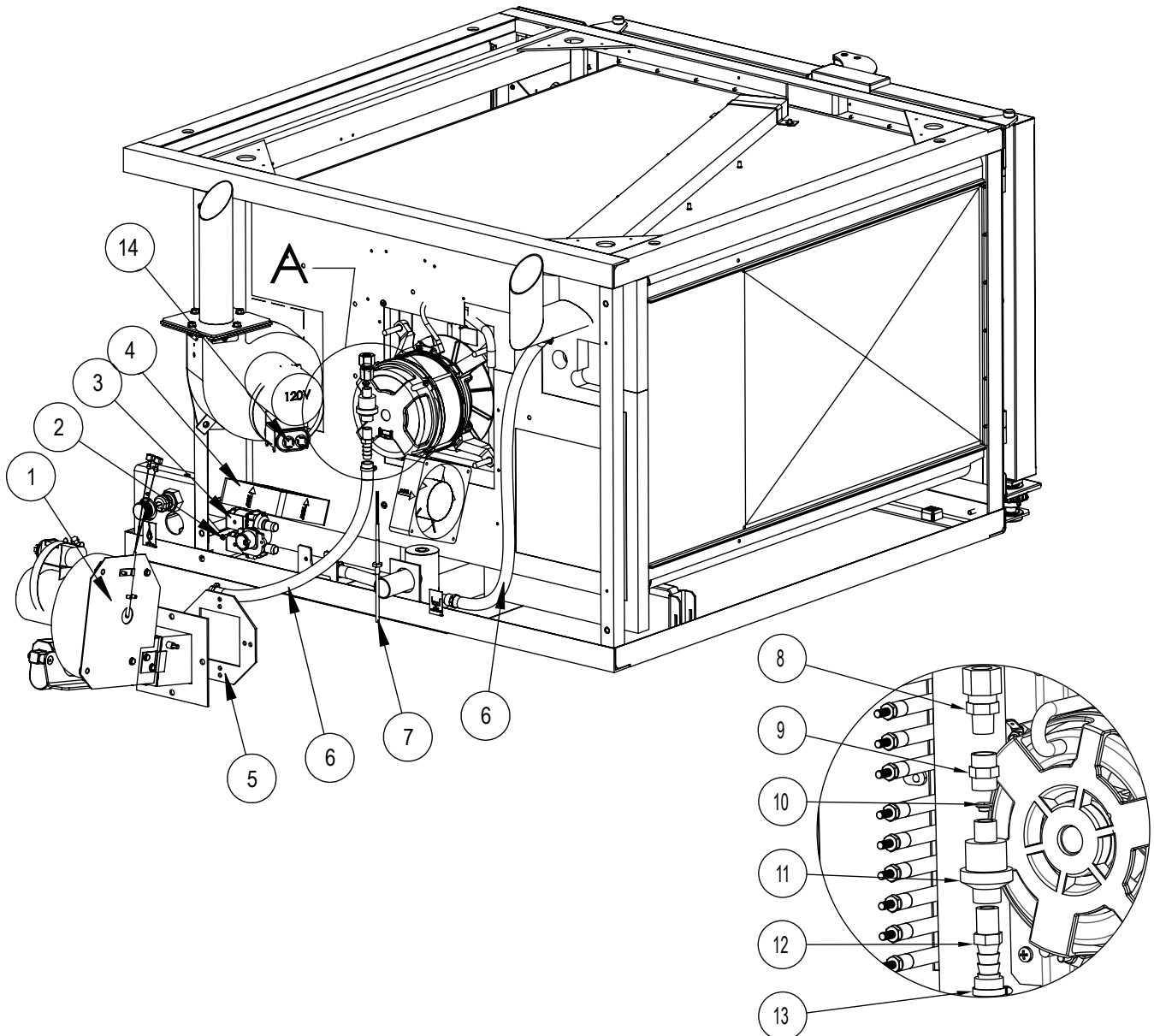
FOR HVH-100G OVENS (MANUFACTURED AFTER 1/7/2017)



Ref. No.	Part No.	Description	Ref. No.	Part No.	Description
1	58808	FLUE, HV100	16	39336	COVER, DRAIN
2	55742	HV100G, NATURAL GAS RESTRICTOR PLATE	17	59154	DRAIN ASSEMBLY
3	58985	GASKET, FLUE	18	59162	GASKET, DRAIN
4	58954	ASSEMBLY, BRACKET, FLUE MOUNT	19	59046	WIRE RACK
5	59058	TUBE, PRESSURE SWITCH	20	58863	BAFFLE, HV100G
6	54776	BLOWER ASSEMBLY, 120V	21	59047	SIDE RACK SUPPORT
6	55864	BLOWER ASSEMBLY, 208/240V	22	M0417	LOCK WASHER, 1/4"
7	58986	GASKET, IDB BLOWER	23	R0712	10-24 ACORN NUT
8	58984	GASKET, IDB BOX	24	58865	BAFFLE, SIDE SUPPORT
9	54404	DRAFT INDUCER BOX COVER	25	58997	SPACER
10	58676	HEAT EX GASKET, SS, HV100G	26	58998	GASKET, LINER VENT
11	54164	BURNER BOX ASSEMBLY	27	53007	CAVITY TEMP PROBE
12	M6315	10-24 X 1/2 FLANGE HEAD BOLT	28	58866	VENT ASSEMBLY, HV100
13	53194	LAMP HOUSING ASSEMBLY	29	54791	HEAT EXCHANGER
14	53101	HALOGEN BULB	30	55303	BLOWER WHEEL WITH KEY
15	53081	BEZEL, GASKET & LENSE ASSEMBLY	31	M3367	NUT, 6-32 KEPS

REAR COMPONENTS

FOR HVH-100G OVENS (MANUFACTURED AFTER 1/7/2017)

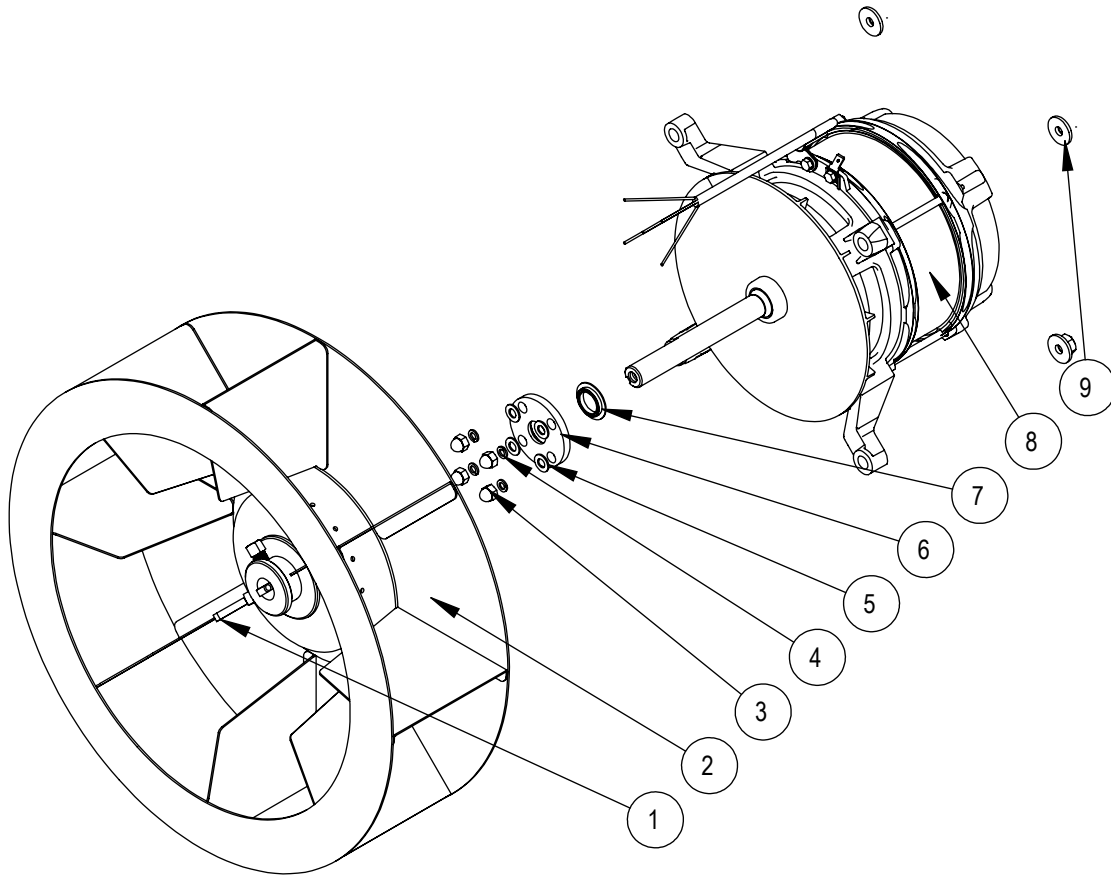


Ref. No.	Part No.	Description
1	57680	HELIX ASSEMBLY, 120V
1	58368	HELIX ASSEMBLY, 208/240V
2	R1270	SCREW, M4 - .7 X 10MM
3	59630	KIT, DUAL OUTPUT WATER VALVE
4	52947	AXIAL FAN
5	57726	GASKET, HELIX
6	58270	SILICONE HOSE (BY THE INCH)
7	58871	DRAIN TEMP PROBE

Ref. No.	Part No.	Description
8	59333	COMPRESSION FITTING
9	59332	COUPLING
10	58348	FLOW VALVE ORIFICE
11	58347	FLOW VALVE
12	58884	FITTING, BARBED
13	R0080	HOSE CLAMP
14	38610	CAPACITOR

MOTOR ASSEMBLY

FOR HVH-100G OVENS (MANUFACTURED AFTER 1/7/2017)

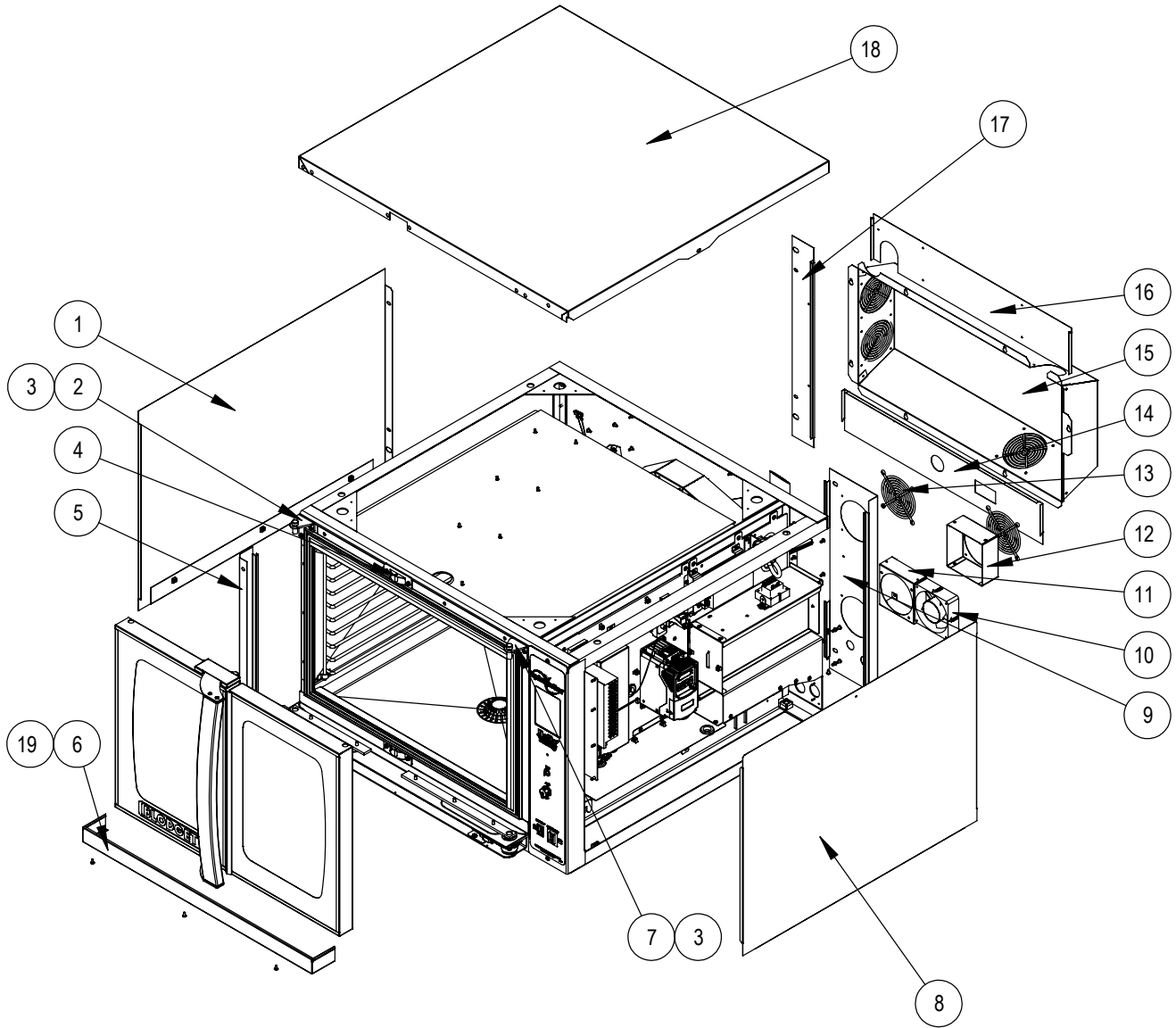


Ref. No.	Part No.	Description
1	54960	KEY, 3/16 X 1"
2	55303	BLOWER WHEEL WITH KEY
3	R0712	ACORN NUT, 10-24
4	R0726	LOCK WASHER, #10
5	R0733	FLAT WASHER, #10
6	59059	SHAFT SEAL RETAINER

Ref. No.	Part No.	Description
7	R4244	SHAFT SEAL
8	59909	CONVECTION MOTOR
9	8628	5/16-18 SERRATED FLANGE NUT

EXTERIOR COMPONENTS

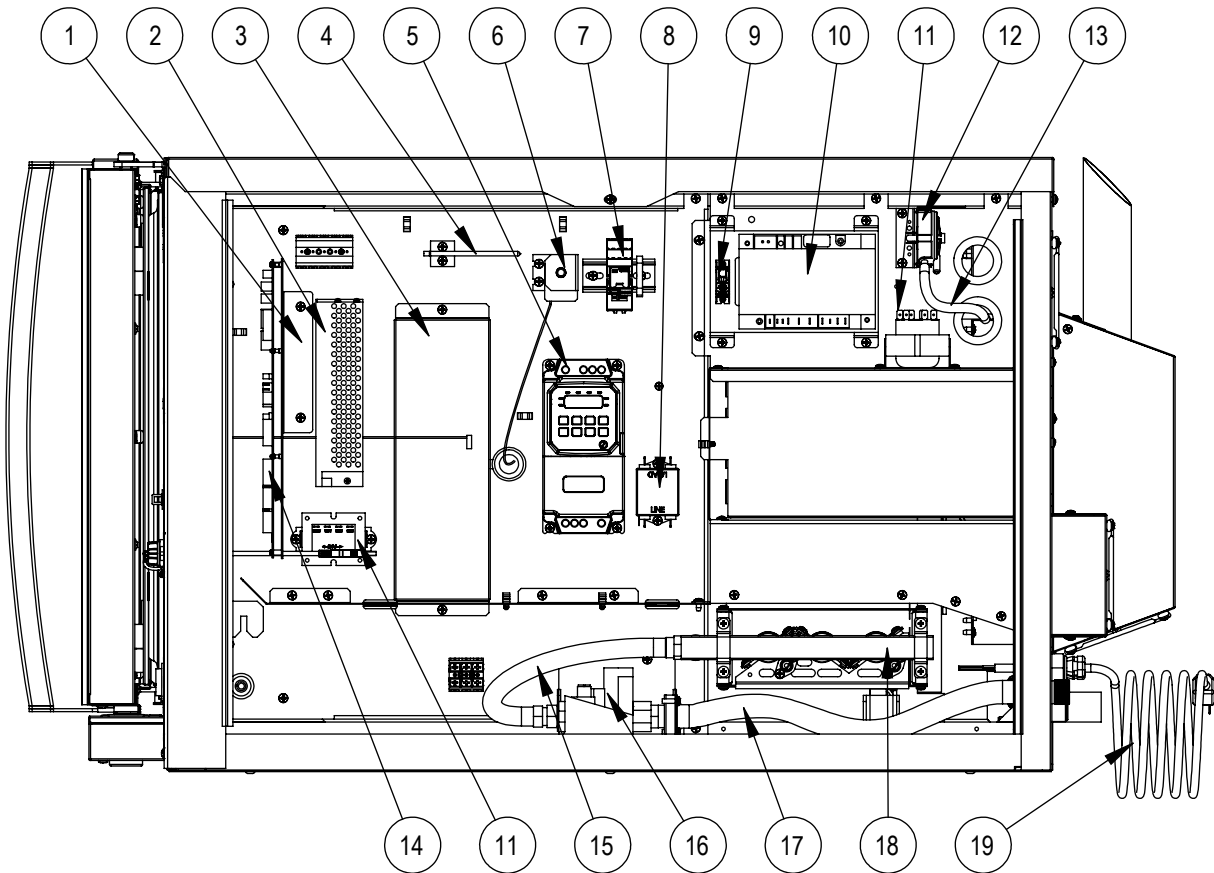
FOR HVH-100G OVENS (MANUFACTURED AFTER 1/7/2017)



Ref. No.	Part No.	Description	Ref. No.	Part No.	Description
1	58910	BODY SIDE, LEFT	11	58970	FAN MOUNT, HV100
2	51081	HINGE, LEFT	12	59020	FAN COVER, HV100
3	51590	HINGE PIN (LEFT & RIGHT)	13	M0571	FAN GUARD, 4"
4	58824	LATCH CATCH ASSEMBLY	14	59166	BODY BACK, CENTER BOTTOM
5	58902	FRONT TRIM, LEFT	15	59167	BODY BACK, ACCESS COVER
6	51698	TRIM, LOWER FRONT	16	59165	BODY BACK, CENTER TOP
7	51082	HINGE, RIGHT	17	58903	BODY BACK, RIGHT
8	58911	BODY SIDE, RIGHT	18	58901	BODY TOP
9	58904	BODY BACK, LEFT, GAS	19	16384	10-24 TRUSS HEAD SCREW
10	52947	AXIAL FAN			

ELECTRICAL COMPONENTS

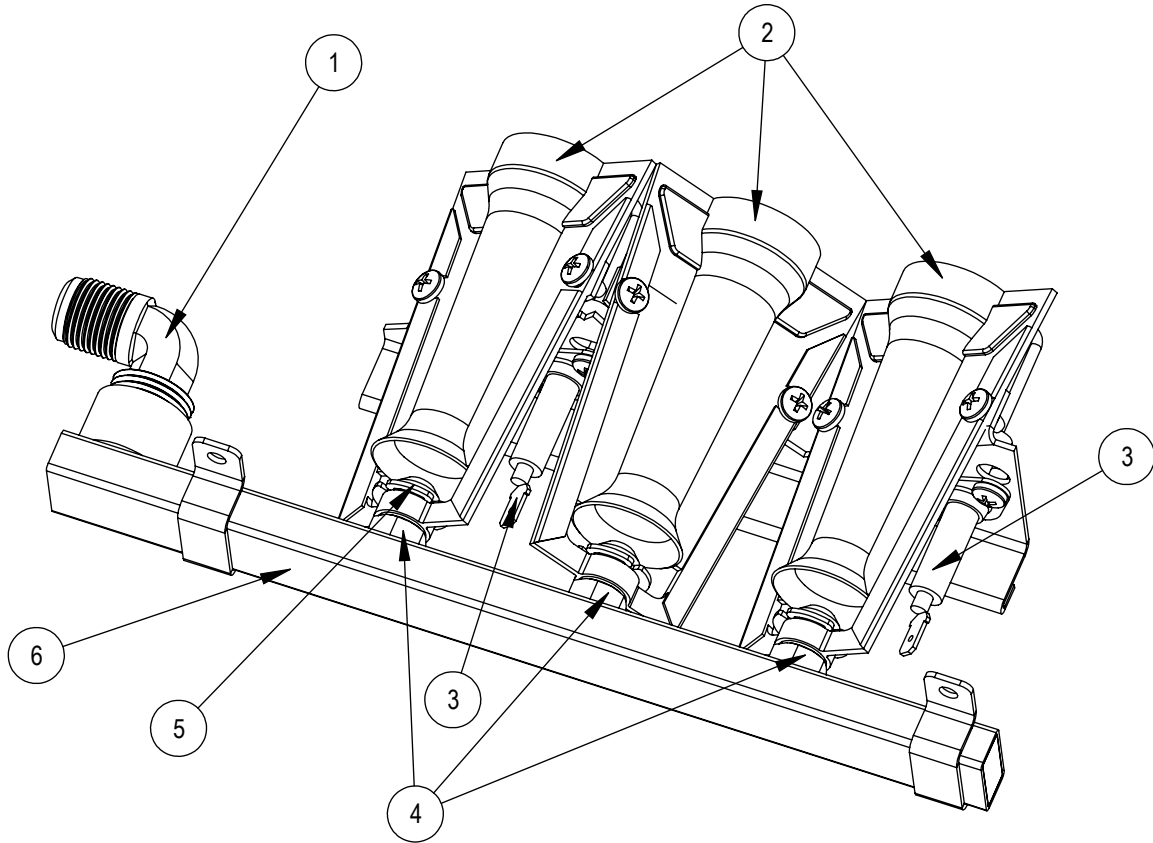
FOR HVH-100G OVENS (MANUFACTURED AFTER 1/7/2017)



Ref. No.	Part No.	<u>Description</u>	Ref. No.	Part No.	<u>Description</u>
1	53321	I/O BOARD BRACKET	13	M9705	SILICONE TUBING (PER INCH)
2	59331	24VDC POWER SUPPLY	14	57727	RELAY BOARD, TOUCHSCREEN
3	58897	LIGHT ACCESS COVER	15	33249	FLEX GAS HOSE, 13"
4	56873	PROBE, 1K RTD	16	38742	GAS VALVE ASSY, NATURAL GAS
5	59744	PROGRAMMED INVERTER	16	38743	GAS VALVE, ASSY, PROPANE
6	36441	THERMOSTAT, HIGH LIMIT	17	55070	FLEX GAS HOSE, 17"
7	59146	RELAY, 3 POLE, DT	18	54453	BURNER ASSEMBLY, NATURAL GAS
8	53902	EMI FILTER	18	54645	BURNER ASSEMBLY, PROPANE
9	36446	RELAY, 5 POLE, DT	19	5091	CORD SET ASSEMBLY
10	54388	IGNITION CONTROL			
11	38303	TRANSFORMER 40V A			
12	M9422	PRESSURE SWITCH			

BURNER ASSEMBLY

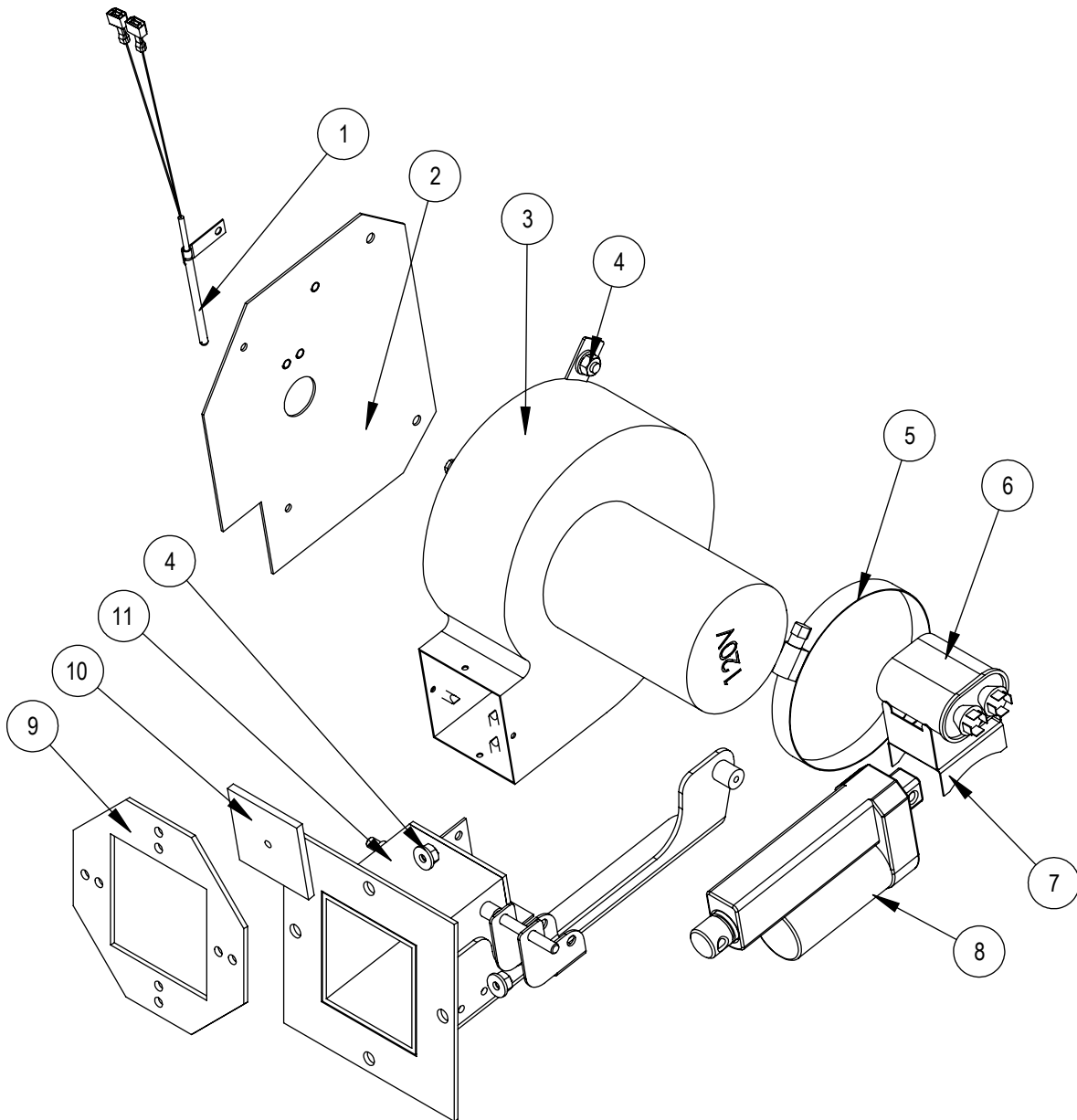
FOR HVH-100G OVENS (MANUFACTURED AFTER 1/7/2017)



Ref. No.	Part No.	Description	Ref. No.	Part No.	Description
1	50253	ELBOW	5	38964	RETAINING RING
2	54638	BURNER	6	54453	BURNER ASSY, NATURAL GAS (COMPLETE AS SHOWN)
3	38517	ELECTRODE (FLAME SENSE OR IGNITOR)	6	54645	BURNER ASSY, PROPANE (COMPLETE AS SHOWN)
4	54175	ORIFICE, NATURAL GAS			
4	54640	ORIFICE, PROPANE			
	57796	KIT, LP TO NAT CONVERSION			
	100063	KIT, NAT TO LP CONVERSION			

HELIX ASSEMBLY

FOR HVH-100G OVENS (MANUFACTURED AFTER 1/7/2017)



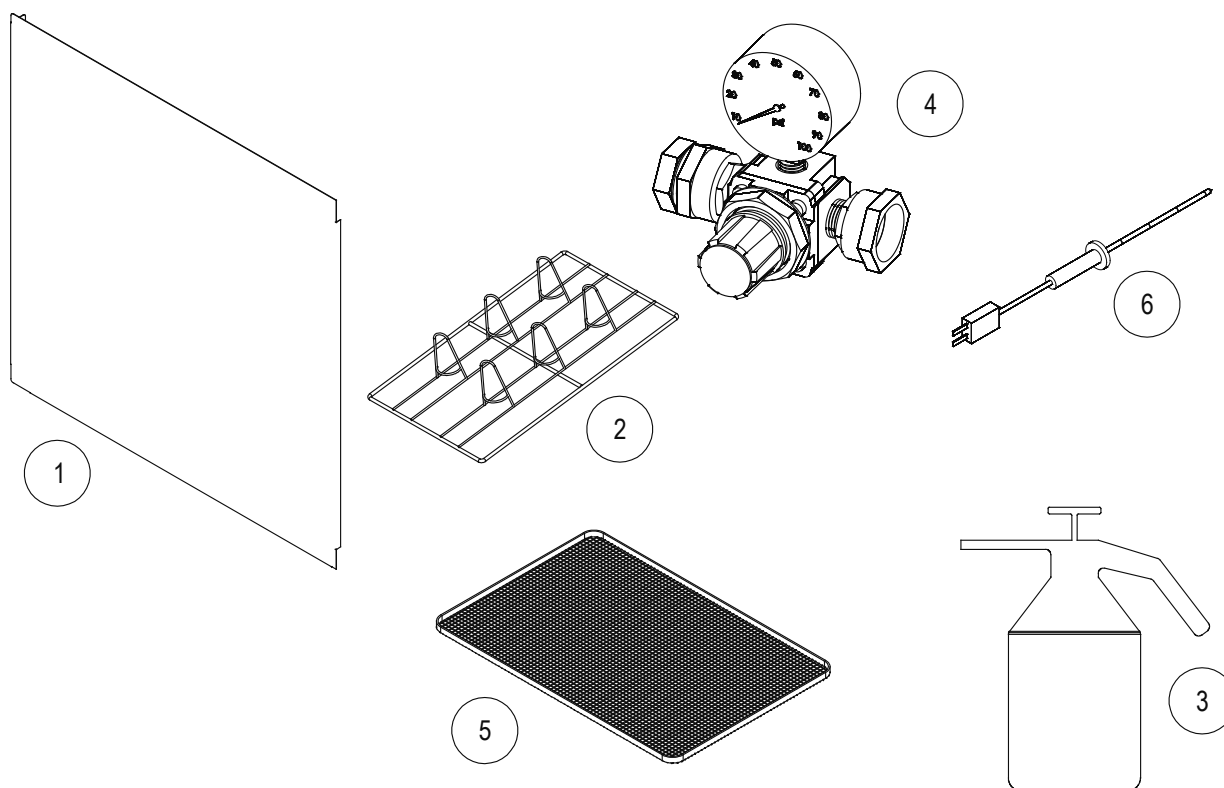
Ref. No.	Part No.	Description
1	51516	PROBE
2	57843	RESTRICTOR PLATE
3	38515	BLOWER, 120V
3	54672	BLOWER, 208/240V
4	R8216	1/4-20 SERRATED FLANGE NUT
5	58618	CLAMP
6	38610	CAPACITOR

Ref. No.	Part No.	Description
7	61645	BRACKET, CAPACITOR
8	50617	ACTUATOR, 24V
9	57726	GASKET, HELIX
10	57671	FLAPPER GASKET
11	57668	HELIX FLAPPER ASSEMBLY

HVH-100G & HVH-100G-AB OVENS

ACCESSORIES

FOR ALL OVENS



Ref. No.	Part No.	Description	Ref. No.	Part No.	Description
1	52889	HEAT SHIELD KIT		33196	6" SEISMIC LEGS (SET OF 4)
2	52387	CHICKEN ROASTING RACK		8600	6" S/S LEGS W/FEET (SET OF 4)
3	R10955	SPRAY BOTTLE		53057	8-1/2" LEGS W/CASTERS (SET OF 4)
4	54734	PRESSURE REGULATOR, WITH HOSE REEL		53058	11" LEGS W/FEET (SET OF 4)
	52815	PRESSURE REGULATOR W/OUT HOSE REEL		53059	11" LEGS W/SEISMIC FEET (SET OF 4)
5	54247	FRY RACK, MULTI PURPOSE	6	56545	MEAT PROBE, 4", DUAL SENSOR
	5996	CORDSET	6	56546	MEAT PROBE, 6", DUAL SENSOR
	8598	25" S/S LEGS W/FEET (SET OF 4)		21242	48" GAS HOSE
	16002	CASTERS (SET OF 4)		21826	36" GAS HOSE
	54698	34" OPEN STAND W/GUIDES AND FEET		54801	GAS MANIFOLD
	54699	34" OPEN STAND W/GUIDES AND CASTERS		59292	SPRAY NOZZLE W/BRACKET (FOR SPRAY HOSE)
				59176	WATER MANIFOLD