



**SHO-E & SHO-100E
ECONOMY ELECTRIC CONVECTION OVEN
REPLACEMENT PARTS LIST**

EFFECTIVE AUGUST 31, 2018

Superseding All Previous Parts Lists.
The Company reserves the right to make substitution in the event that items specified are not available.
ERRORS: Descriptive and/or typographic errors are subject to correction.

BLODGETT OVEN COMPANY

42 Allen Martin Drive, Essex Junction, Vermont 05452 USA Telephone: (802) 658-6600 Fax: (802) 860-3732
www.blodgett.com

P/N 54127 Rev L

SERIAL NUMBER LOCATION / KEY:

IMPORTANT: When ordering parts, please provide the model, gas type and serial number of the oven. The identification plate is located above the right hand door.

SERIAL NUMBER IDENTIFICATION CODE:

**XF = SHO-E ELECTRIC CONVECTION OVEN
CS = SHO-100-E ELECTRIC CONVECTION OVEN**

SERIAL NUMBER EXAMPLES

062002XC001 (NEW STYLE)

06/20/02 = DATE

XF = LETTER CODE FOR SHO-E

001 = FACTORY SEQUENCE

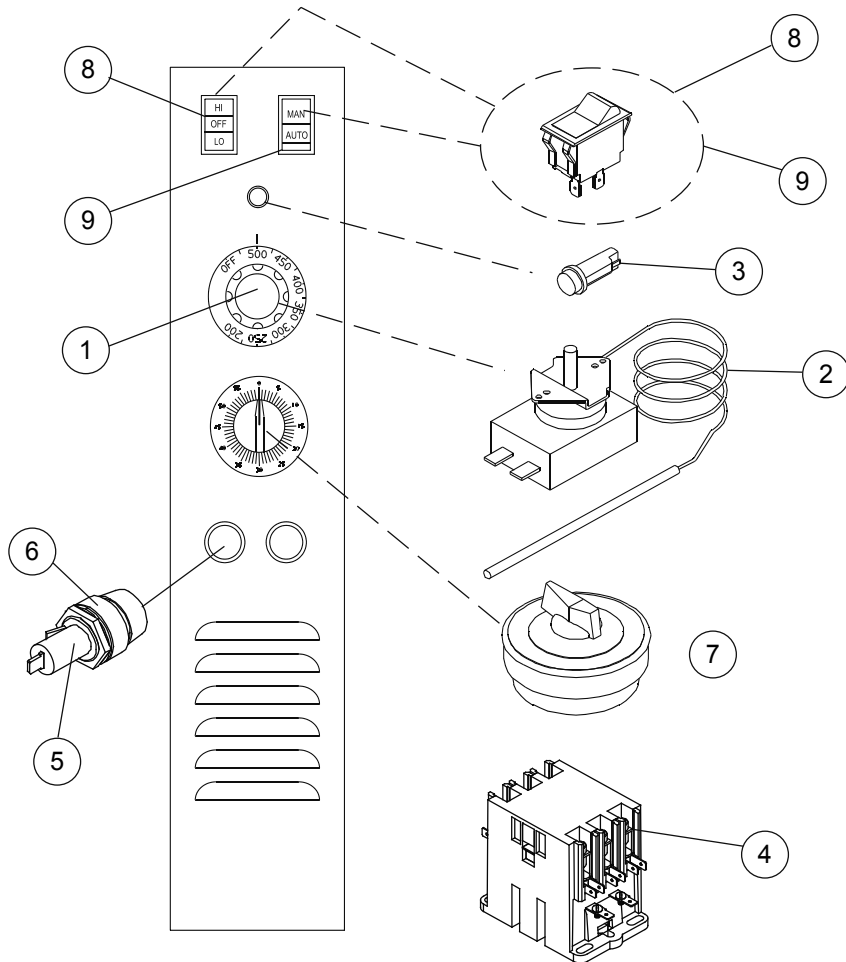
***PLEASE NOTE THAT THE SERIAL NUMBERS
ON THE SHO SERIES ARE ONLY 12 DIGITS LONG!!!***

TABLE OF CONTENTS

◆ Doors Are Not Returnable

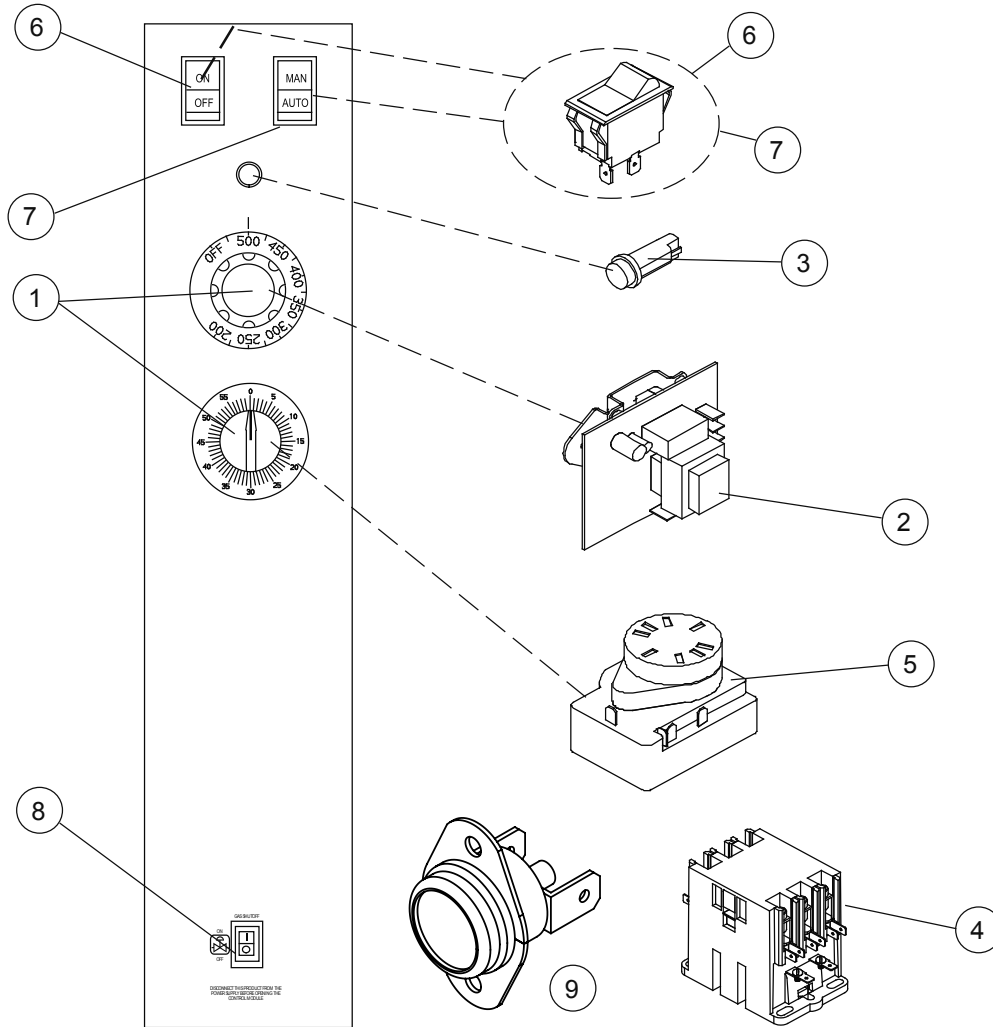
ELECTRICAL COMPONENTS	4
INTERIOR COMPONENTS & EXTERIOR VIEW	6
DOOR COMPONENTS	7
LOWER DOOR SUPPORT COMPONENTS	8
ACCESSORIES	9

ELECTRICAL COMPONENTS - BEFORE 1-8-2006



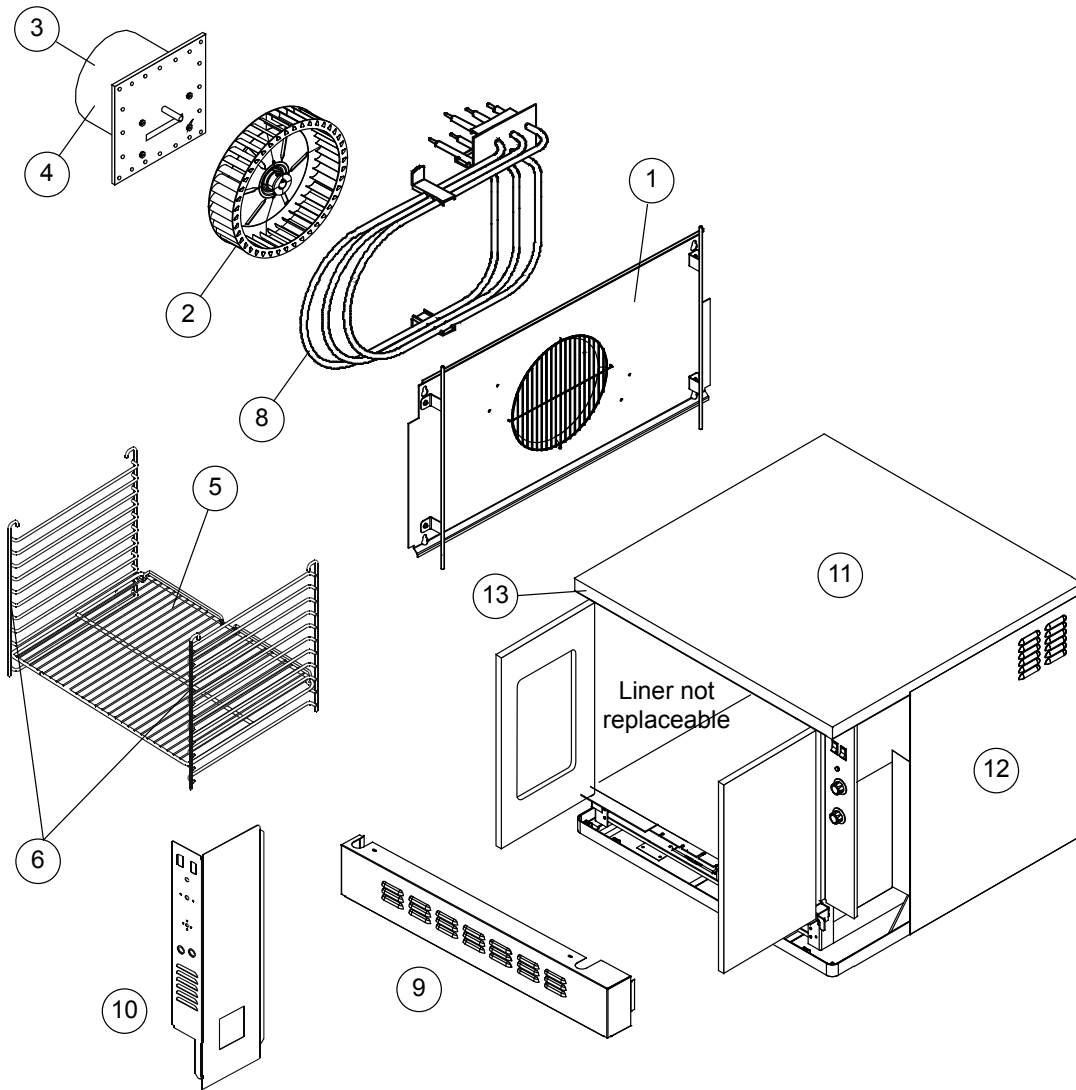
Ref. No.	Part No.	Description	Ref. No.	Part No.	Description
1	16393	Dial Fahrenheit		34484	Knob, for Timer 5147
	16686	Knob, Control		18226	Timer 60 Minute Electrical 240 V (After Aug 2004.)
2	16536	Thermostat, KX-234-36		16686	Knob, for Timer 18226
	19751	Bulb Clip, Thermostat	8	7636	Rocker Switch, 3PDT, Black 2SP units only
3	16037	Indicator Light	8	6500	Rocker Switch, DPST, Blue 1SP units only
4	90588	Contactor, 3PH units only	9	6502	Rocker Switch, DPDT, Red All units
	53265	Contactor, 1PH units only		90034	Grounding Lug Kit
	11204	Terminal Block, 90 Amp, 3PH		17754	Transformer, Step Down 480>240V
	30503	Terminal Block		17250	Cover, Transformer top
	35193	Microswitch		20606	Conduit Assy, Hi-Volt transformer
	20444	Harness, Wiring for units built before Aug 2004		23034	Axial Fan, 230V 4"
	20605	Harness, Element		22719	Cord Set Assy, Axial Fan
	20604	Cover, Element terminal		22718	Fan Guard Assy
	36638	Motor Conduit Assy		20350	Buzzer Assy, 240 V
5	16605	Fuse		36755	Switich, Thermal SPDT
6	20442	Fuseholder			
7	5147	Timer 60 Minute Mechanical w/Bell and knob (Before Aug 2004)			

ELECTRICAL COMPONENTS - AFTER 1-8-2006



Ref. No.	Part No.	Description	Ref. No.	Part No.	Description
1	16686	Knob, for Temp Control		22719	Cord Set and Nuts, Axial Fan
2	33152	Temperature Controller w/Potentiometer		37058	Relay, DPST 25A, 24V
	18588	Temperture Probe	8	36429	Circuit Breaker
3	16037	Indicator Light, 250V Red Round		23034	Cooling Fan
4	90588	Contactora, 3PH units only		30662	Light Switch
	53235	Contactora, 1PH units only		36700	Light Transformer
	35702	Microswitch, Door		57058	Halogen Light Assy.
5	18226	Timer 60 Minute, Electrical 240V		D0128	Halogen Bulb 12V, 20W, Type G4, .16" Between Pins
	16686	Knob, for Timer 18226		57075	Halogen Bulb, 12V, 20W Type G5.3, .21" Between Pins
6	7636	Rocker Switch, 3PDT, Black, 2SP		16820	Timer Decal
7	6502	Rocker Switch, DPDT, Red, Cool Dn		38987	Thermostat Decal
	20350	Buzzer Assy 240V		50991	Circuit Breaker Decal
	36755	Switch, Thermal SPDT (axial fan only)			
9	56760	Manual Reset Compartment Switch			
	22718	Guard Assy, Axial Fan			

INTERIOR COMPONENTS & EXTERIOR VIEW



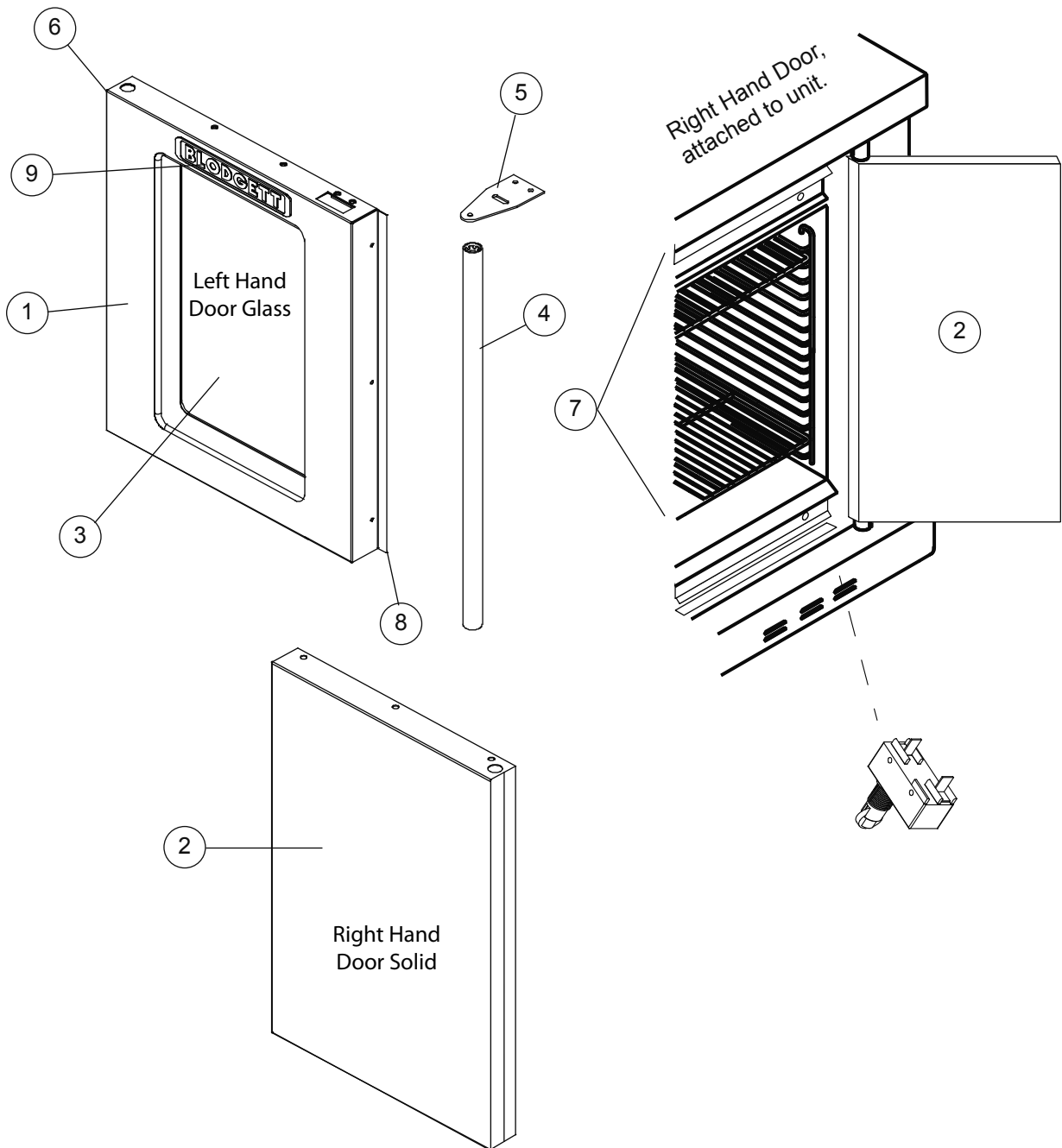
Ref. No.	Part No.	Description
1	37006	Interior Baffle, Porcelain, Blower Wheel Cover (Before 11/05/2005)
1	16813	Interior Baffle, Porcelain, Blower Wheel Cover (After 11/05/2005)
2	5001	Blower Wheel
	33147	Wheel Puller
3	32244	Motor, 208-240V, 1/2HP, 2 SP
3	32244	Motor 230V, 2 speed (After 11-22-2005)
4	19667	Motor Support Assy
5	18768	Racks, Qty 5 per oven
6	36900	Rack Support Kit, Set of 2
8	33245	Element Assy, 208V
8	33244	Element Assy, 230/240V
8	20322	Element Assy, 440V
8	20319	Element Assy, 480V
9	36822	Cover, Bottom Front (Before 1-08-2006)

Ref. No.	Part No.	Description
9	37202	Cover, Bottom Front (After 1-08-2006)
	19751	Thermostat Bulb Clip
10	50826	Control Panel w/o lights
	55325	Control Panel w/lights
11*	36797	Body Top (Before 11-05-2005)
11	38991	Body Top (After 11-05-2005)
12	36821	Bodyside, RH (Before 11-05-2005)
12	36407	Bodyside, RH (After 11-05-2005)
	36839	Bodyside, LH (Before 11-05-2005)
	37205	Bodyside, LH (After 11-05-2005)
13*	59657	Front Trim Kit, Bodytop

NOTE: Compartment Liner Bottom is NOT REPLACEABLE in this unit

NOTE For ovens built between 11/05/2005 & 03/10/2017 Items 11 & 13 must be replaced/purchased together*

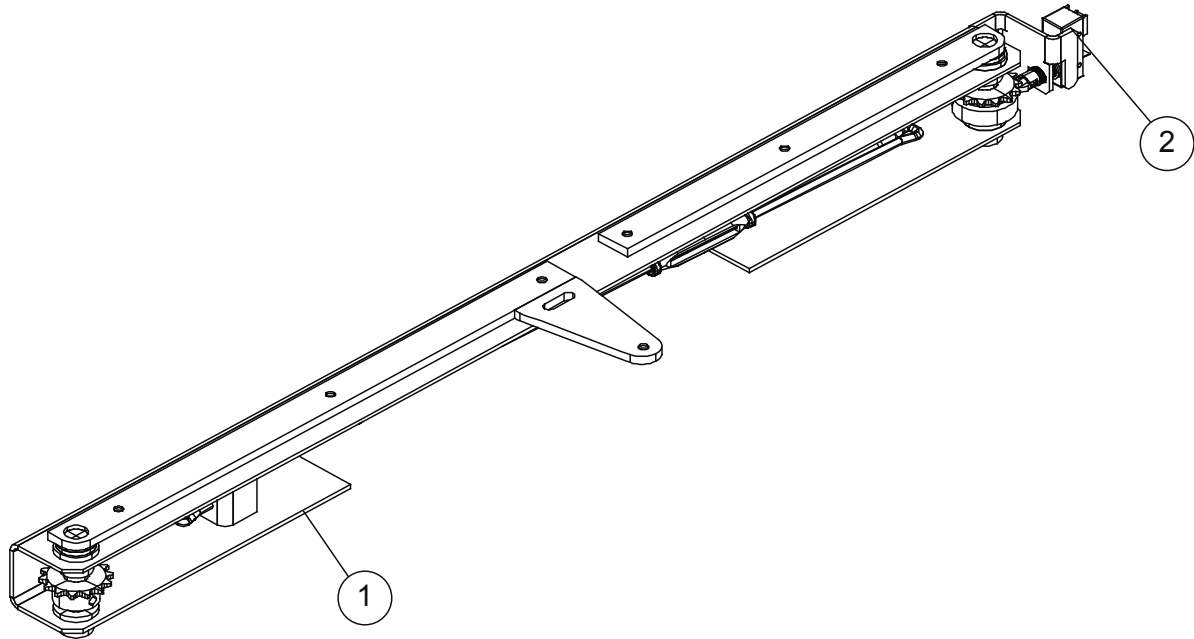
DOOR COMPONENTS



Ref. No.	Part No.	Description
1	20804	Door Assy, Gls LH
2	20805	Door Assy, Sld RH
3	9036	Window Assy, Drop In (10 1/8" X 17 1/8")
	9035	Window Tool, for installation and removal of window assy
4	21097	Door Handle, w/hardware
5	36793	Top Plate, for door handle mounting
6	90004	Bushings, Door Hinge Set of 2
	16657	Sleeve, Upper Door

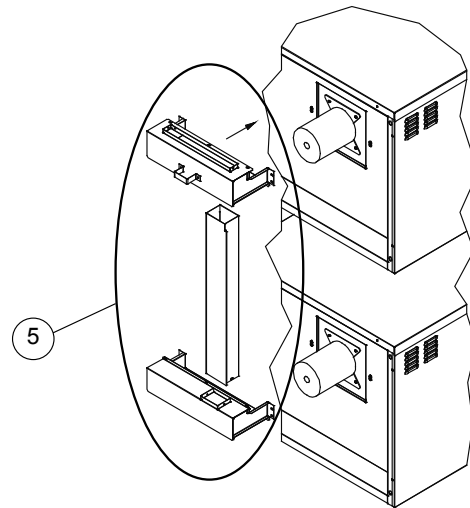
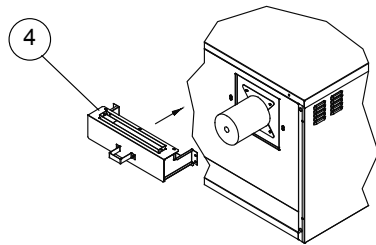
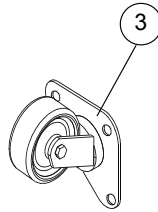
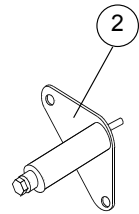
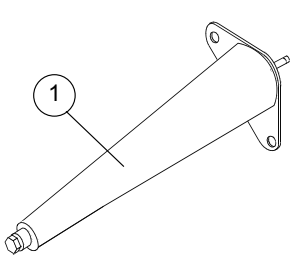
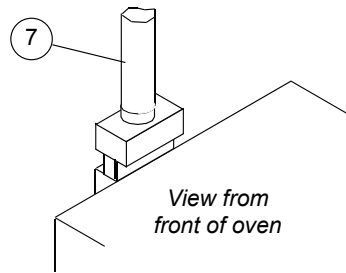
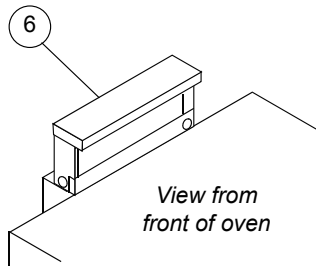
Ref. No.	Part No.	Description
	17557	Hinge Pin Kit, Upper Door Qty 2 per oven
7	36876	Door Gasket Kit
8	16448	Pressure Lock (for latching) (attaches to front of door)
8	36606	Pressure lock (attaches to side of door)
	17311	Center Door Trim (cover gap between closed doors)
9	16470	Nameplate
10	35193	Microswitch

LOWER DOOR SUPPORT COMPONENTS



Ref. No.	Part No.	Description
1	37003	Lower Door Support Assy
	<i>NOTE:</i>	<i>Lower Door Support Assy includes the hinge pins, arms, chain & turnbuckles, sprocket assy, and</i>
2	35193	Microswitch

ACCESSORIES



Ref. No.	Part No.	Description
	33196	Seismic Legs, 6" Set of 4
2	8600	Legs, 6" Set of 4
1	8598	Legs, 25" w/feet Set of 4
	16002	Casters, for sgl oven
3	5779	Casters, Plate, for dbl oven Set of 4
	<i>NOTE: This set contain 2 casters w/brakes and 2 casters w/o brakes.</i>	
	11416	Open Stand w/casters
	6486	Open Stand w/feet
	11416	Open Stand w/casters
	6486	Open Stand w/feet
	33199	Casters, Plate, for dbl oven Set of 4
	<i>NOTE: This set contains 4 casters w/brakes.</i>	
	19528	Casters, low profile, for dbl oven

Ref. No.	Part No.	Description
	31013	Casters, Heavy Duty, low profile, for dbl oven
4	20443	Flue Box, for sgl oven
5	17486	Flue Assy, for dbl oven SHO on SHO (includes upper & lower flue boxes, flue riser)
5	37221	Flue Assy, for dbl oven Xcel on SHO (includes upper & lower flue boxes, flue riser)
6	7840	Draft Diverter, for canopy venting
7	8709	Drafhood, for direct venting
	36696	Backsheet
	54422	Side Heat Shield, Right or Left