



**XCEL-50EC
HALF SIZE CONVECTION OVEN
REPLACEMENT PARTS LIST**



KFC®

EFFECTIVE FEBRUARY 23, 2012

Superseding All Previous Parts Lists.

The Company reserves the right to make substitution in the event that items specified are not available.

ERRORS: Descriptive and/or typographic errors are subject to correction.

BLODGETT OVEN COMPANY

44 Lakeside Avenue, Burlington, Vermont 05401 USA Telephone: (802) 658-6600 Fax: (802) 860-3732

www.blodgett.com

P/N 54805 Rev D

SERIAL NUMBER LOCATION / KEY:

IMPORTANT: When ordering parts, please provide the model, gas type and serial number of the oven. The identification plate is located on the left side of the combustion compartment and, also, above the control panel under the ledge.

SERIAL NUMBER IDENTIFICATION CODE:

DK- XCEL-50EC

SERIAL NUMBER EXAMPLES

112008DK001T (NEW STYLE)

11/20/08 = DATE

DK = LETTER CODE FOR MODEL NAME

001 = FACTORY SEQUENCE

TO OBTAIN LITERATURE:

Email: literature@blodgett.com

or visit

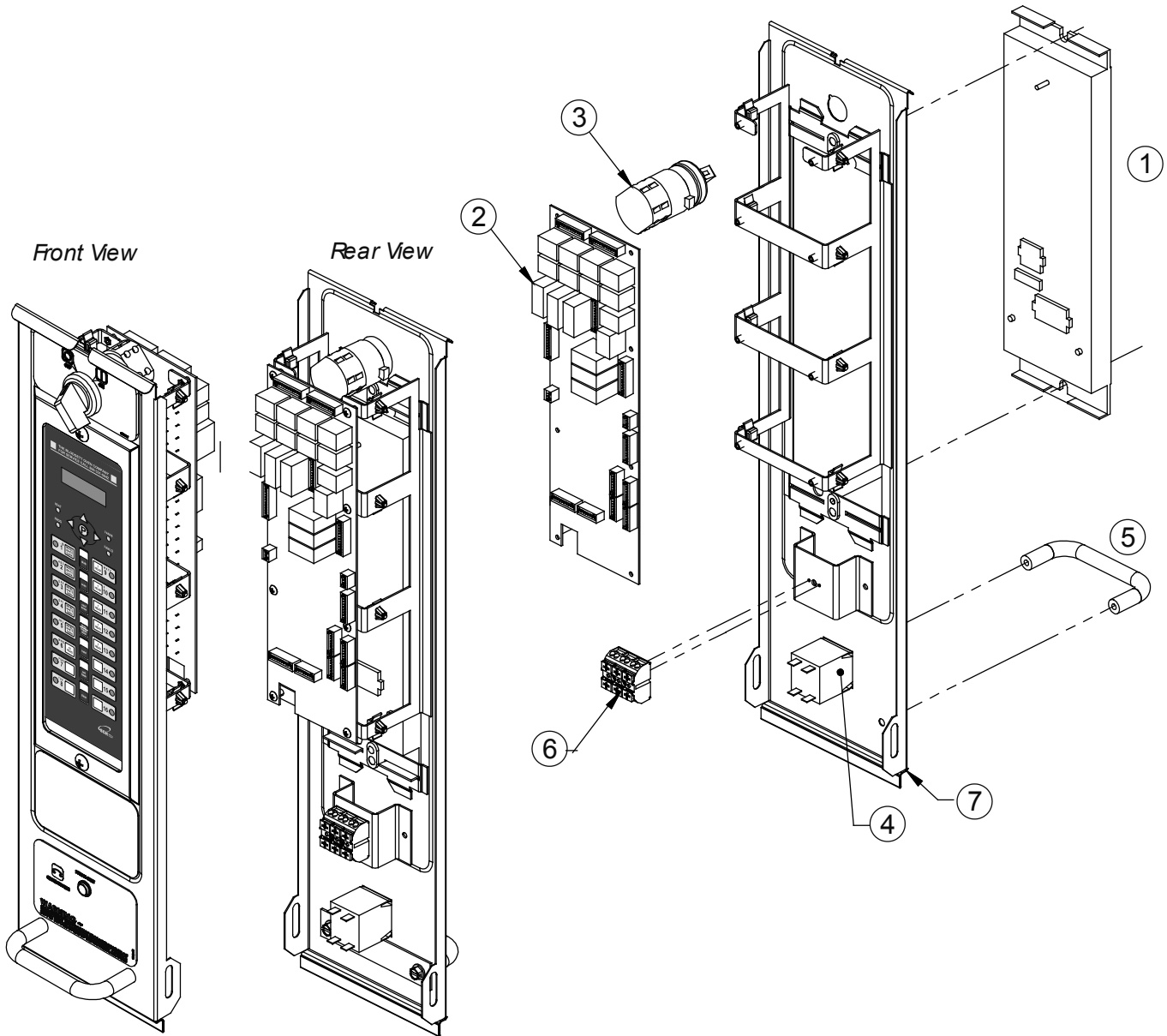
www.blodgett.com

TABLE OF CONTENTS

◆ Doors Are Not Returnable

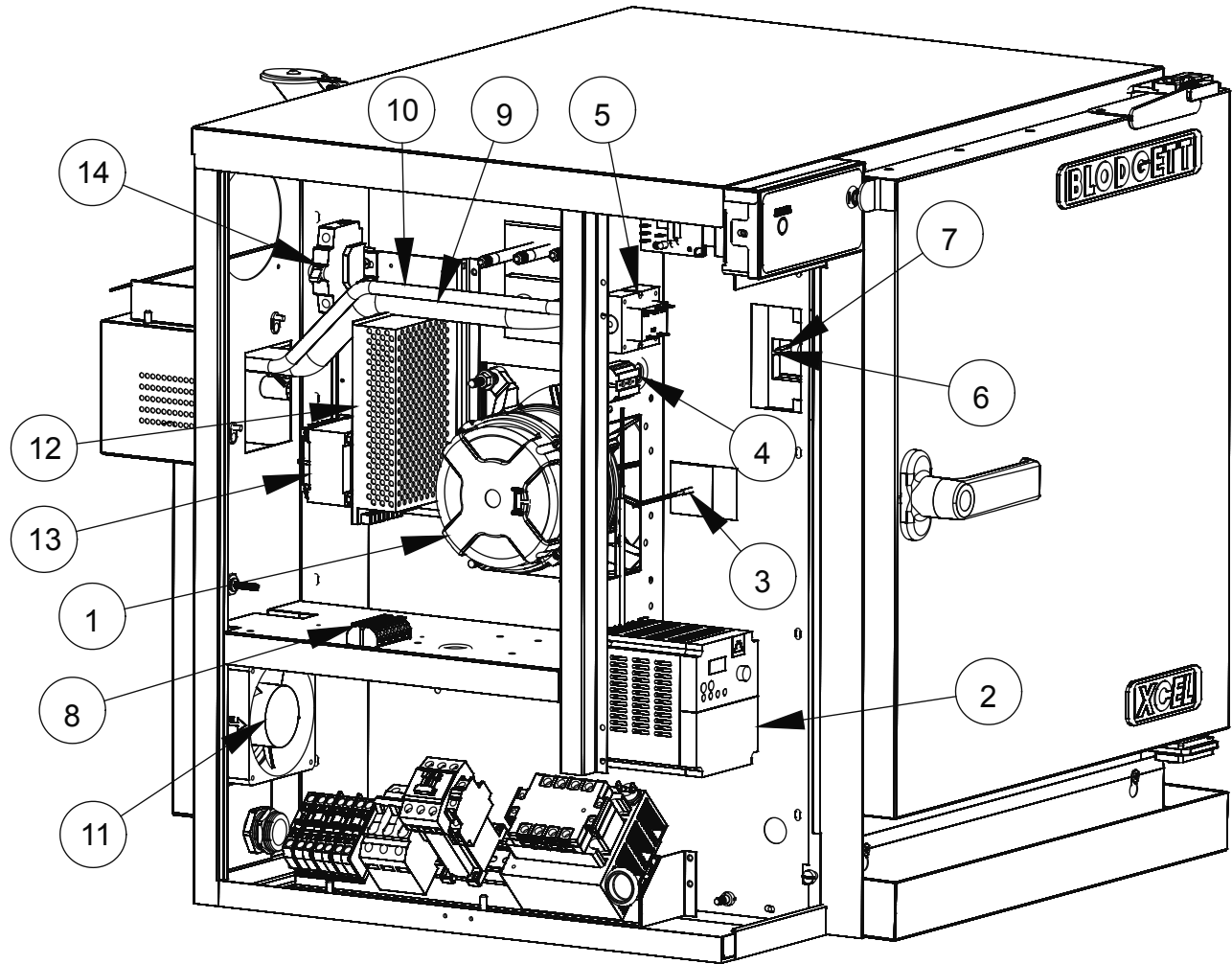
CONTROL PANEL ASSEMBLY	PAGE 4
ELECTRICAL COMPONENTS	PAGE 5
DRAIN ACTUATOR AND DRAIN HOSE	PAGE 6
POWER DISTRIBUTION ASSEMBLY	PAGE 7
DOOR ASSEMBLY PARTS.....	PAGE 8
DOOR LOCK ASSEMBLY.....	PAGE 9
EXTERIOR COMPONENTS (FRONT)	PAGE 10
INTERIOR COMPONENTS	PAGE 11
EXTERIOR COMPONENTS (REAR).....	PAGE 12
BACKPANEL ASSEMBLY	PAGE 13
OVEN STAND	PAGE 14

CONTROL PANEL ASSEMBLY



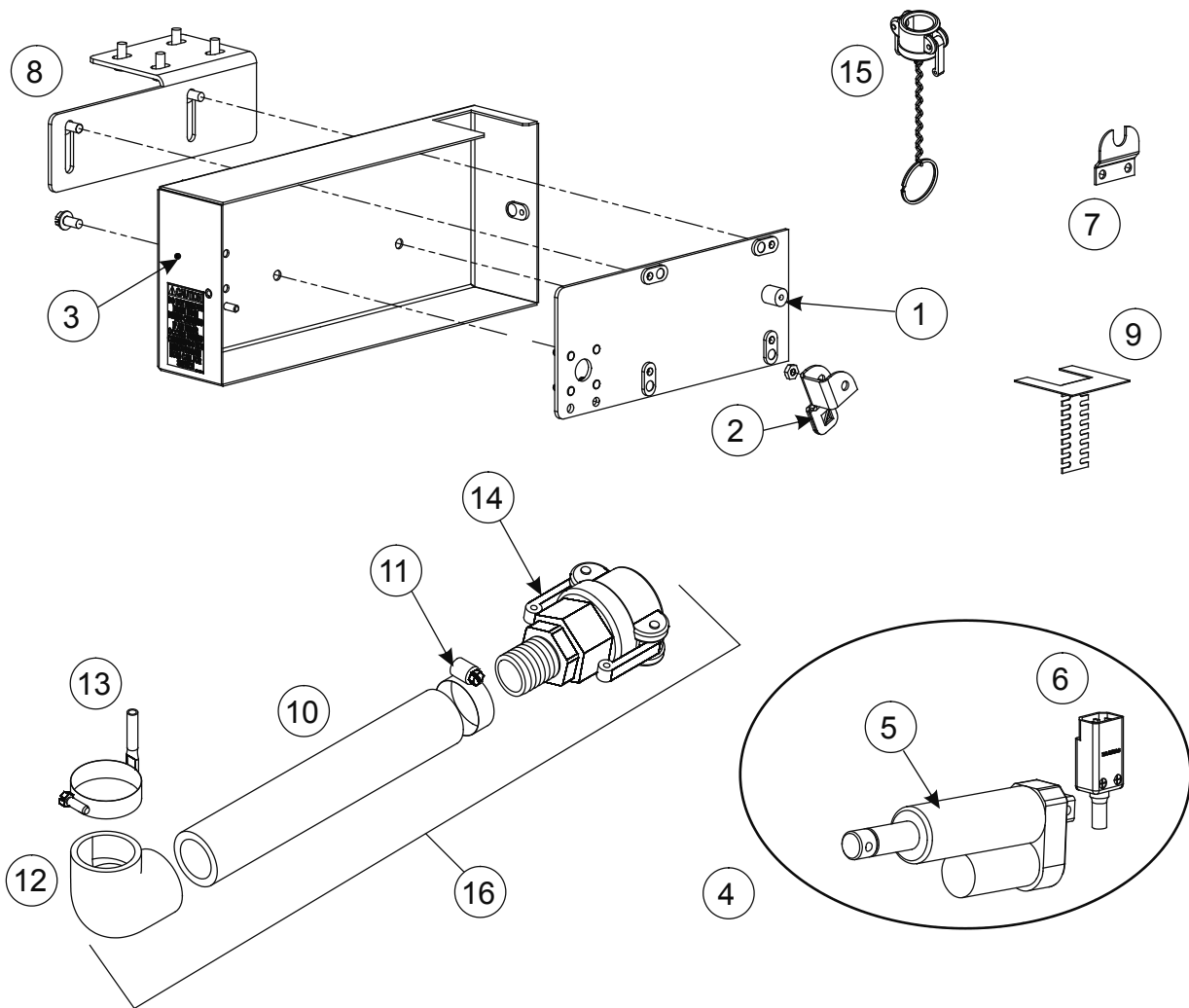
Ref. No.	Part No.	Description
1	51014	KFC Control
2	52130	Relay Board
3	52205	2 Position Rotary Switch
4	52185	Circuit Breaker
5	R4413	Rack Handle
6	38605	Terminal Block
7	52046	Panel Assembly
	39995	Harness, line voltage
	51995	Harness, control, 24V (includes item #6)
	52179	Harness, Vertical Comm

ELECTRICAL COMPONENTS



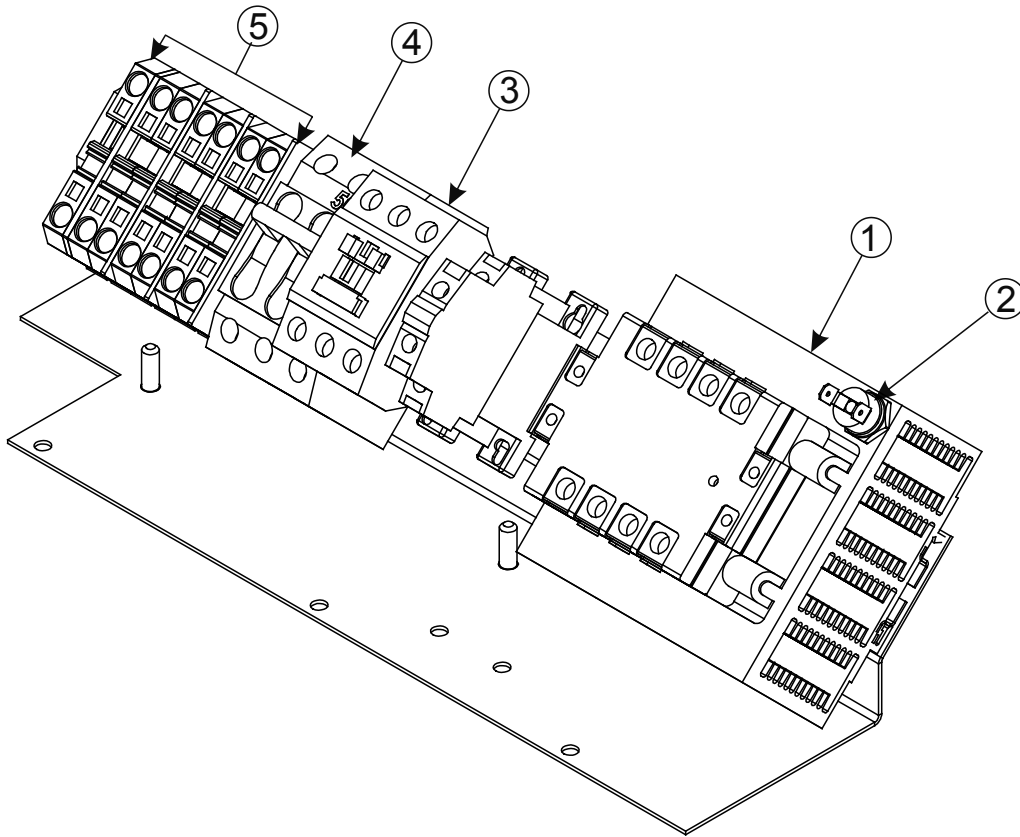
Ref. No.	Part No.	Description
1	53554	Motor, 220V, 1/2HP
	53899	Motor Shaft Seal Kit (Not Pictured)
2	50818	Inverter Drive, 230V
3	50089	Oven Cavity Temperature Probe with Fitting, 1K OHM
	39504	Probe, Inverter (Not Pictured), 1K OHM
4	R11255	Terminal Block
5	52948	Transformer
6	50937	Thermostat, Hermetic (Hi-Limit)
7	38965	Stand Off (For Hi-Limit)
8	39378	Terminal Block, 5 Pos., 12 pin
9	52691	Water Supply Inlet Tube
	53565	Inlet Tube Insulation
	50891	Elbow, Water Inlet (inside oven)
10	52692	Recirculation Tube
	50890	Elbow, Cleaning System (inside oven)
11	52947	Axial Fan, 5 inch, 24 VDC (qty 4)
12	52946	Power Supply Assembly, 24VDC
13	51028	Transformer, 208V
	52142	Transformer, 240V
	53283	Circuit breaker (24 VAC circuit)
14	53572	Circuit Breaker Kit
	52153	Washer, Teflon, Motor Shaft Seal (Not Pictured)

DRAIN ACTUATOR AND DRAIN HOSE



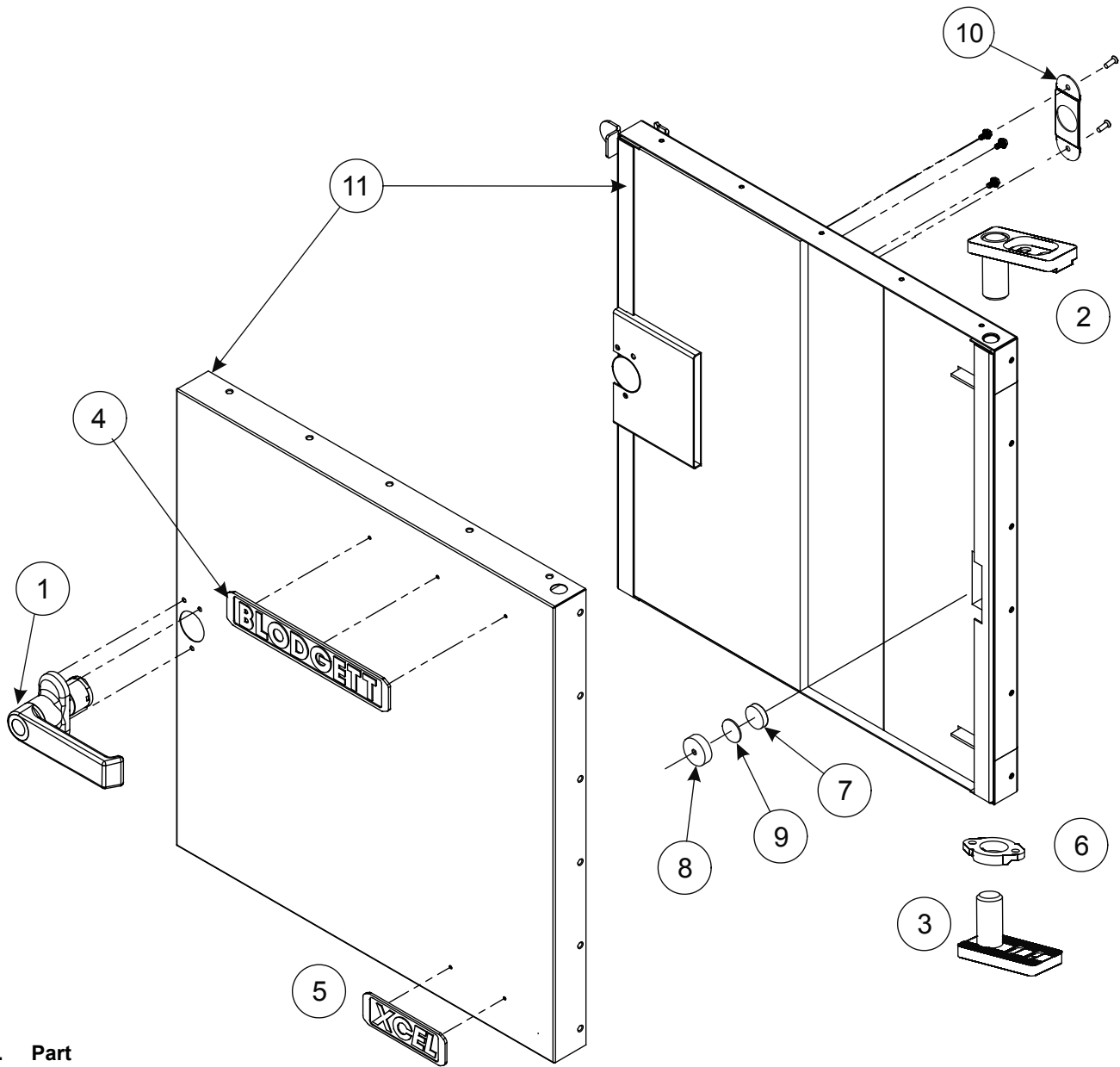
Ref. No.	Part No.	Description
1	50769	Actuator plate
2	50770	Actuator arm
3	50864	Actuator housing
	50865	Actuator cover (not pictured)
4	52656	Actuator & Plug assembly (Includes Items 5 & 6)
5	50617	Actuator, 24 VDC, 2" stroke
6	50951	Plug, 3 prong, rewire-able
7	50899	Actuator arm retainer
8	50866	Actuator bracket
9	51919	Bracket, drain actuator connector
10	50997	Drain hose (order by the ft)
11	R9757	Clamp, hose
12	51777	Elbow, 1" PVC
13	52007	Drain hook assembly
14	52675	Drain fitting assembly
15	51207	Drain cap assembly
16	51382	20' Drain hose assembly (includes items 10 through 14)
16	52165	30' Drain hose assembly (includes items 10 through 14)

POWER DISTRIBUTION ASSEMBLY



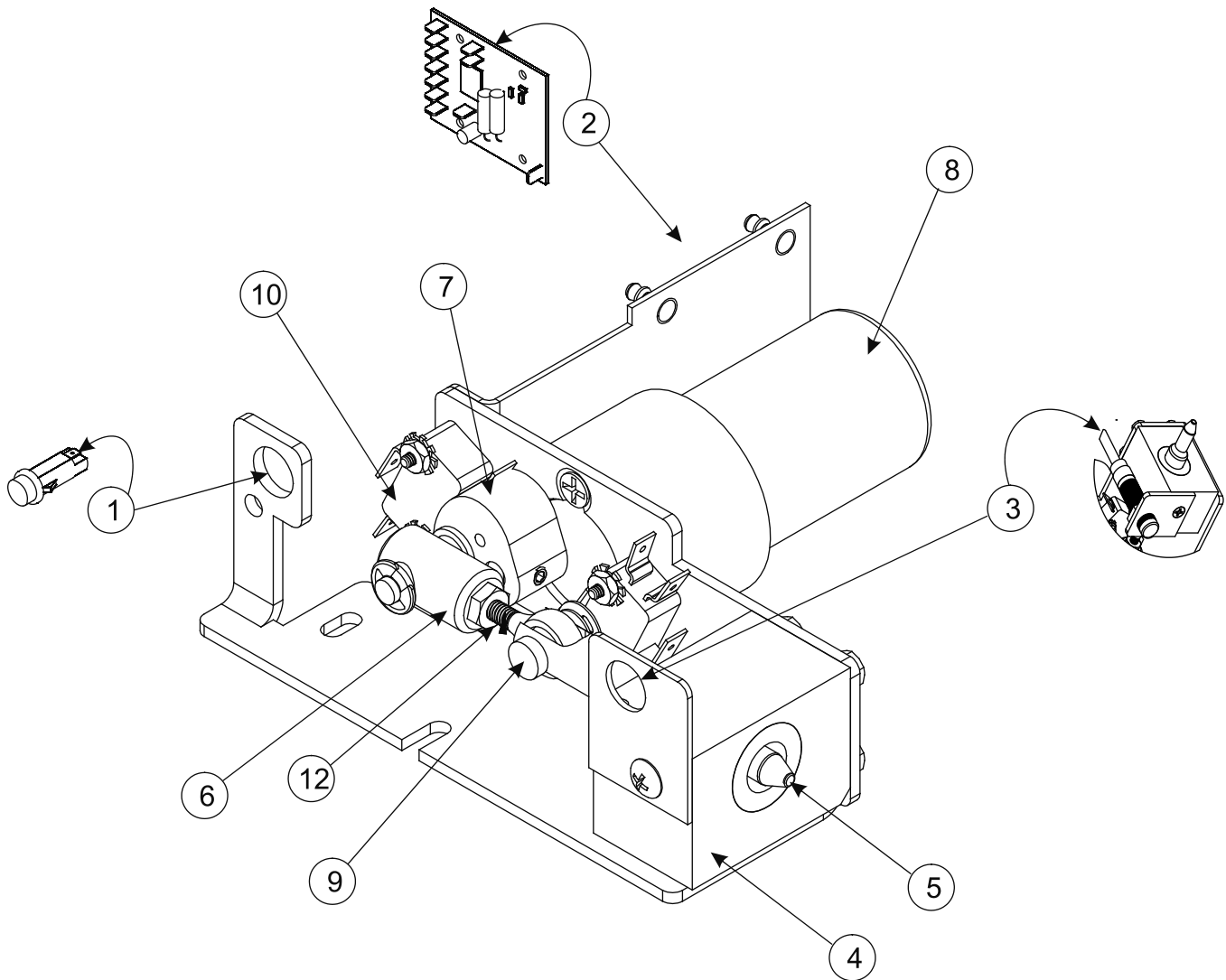
Ref. No.	Part No.	Description
	39228	Power Distribution Assembly (3 PH)
	52176	Power Distribution Assembly (1PH)
1	39120	SS Relay & Heatsink Ass'y (Includes item 2)
2	51500	Thermostat
3	52152	Contactor, 24VDC, 60A Resistive
4	52332	Circuit Breaker, 50A, (3PH)
	52333	Circuit Breaker, 32A, (1PH)
5	39733	Terminal Block Assembly (3 PH)
	52169	Terminal Block Assembly (1 PH)
	50159	Harness, Contactor
	51293	Harness, Element (3PH)
	52167	Harness, Element (Add-on for 1PH)

DOOR ASSEMBLY PARTS



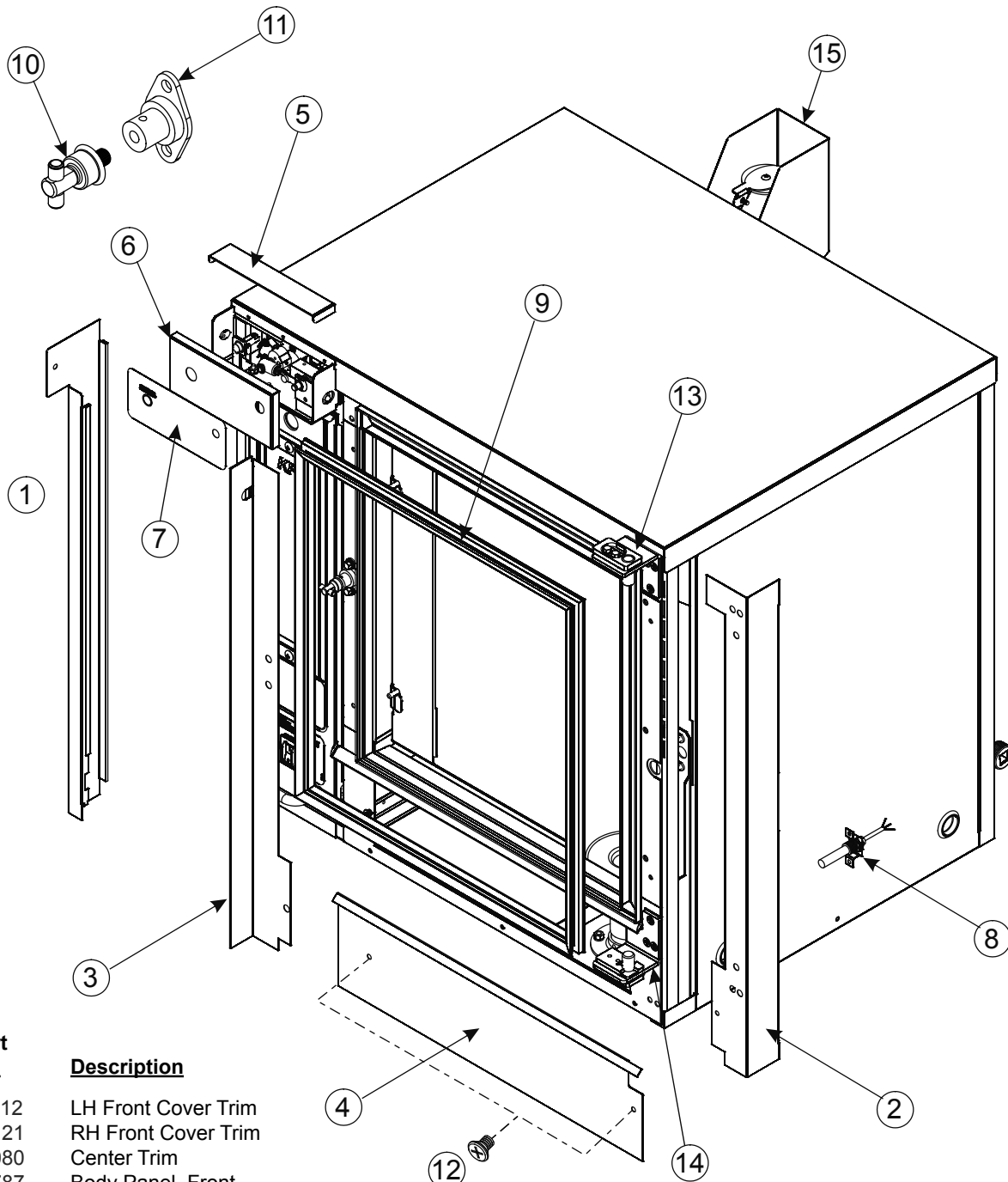
Ref. No.	Part No.	Description
1	51129	Door Handle Assembly with Screws
	39223	Screws, For Door handle, M5x10HWH (Qty 3)
2	50464	Top Door Hinge
	R6237	Screw, 1/4-20X3/8 Hex, For Top Hinge(Qty 2)
	M0417	Lock Washer, 1/4", For Top and Bottom Hinges (Qty 4)
3	50731	Bottom Door Hinge
	51048	Screw, HHC, 1/4-20 X 5/8, For Bottom Hinge (Qty 2)
4	16470	Blodgett Nameplate
	R2160	Retainer (qty 3)
5	38623	XCEL Nameplate
	R2160	Retainer (qty 2)
6	52657	Hinge Stop Bearing and Screws
7	52005	Door Magnet
8	R7753	Magnet Cup
9	52198	Magnet Cup Spacer
10	52707	Door Latch Cover with Screws
11	52196	Complete Door Assembly (includes items 4 through 9)
	53566	Door Stop (if door can open beyond 180 degrees)

DOOR LOCK ASSEMBLY



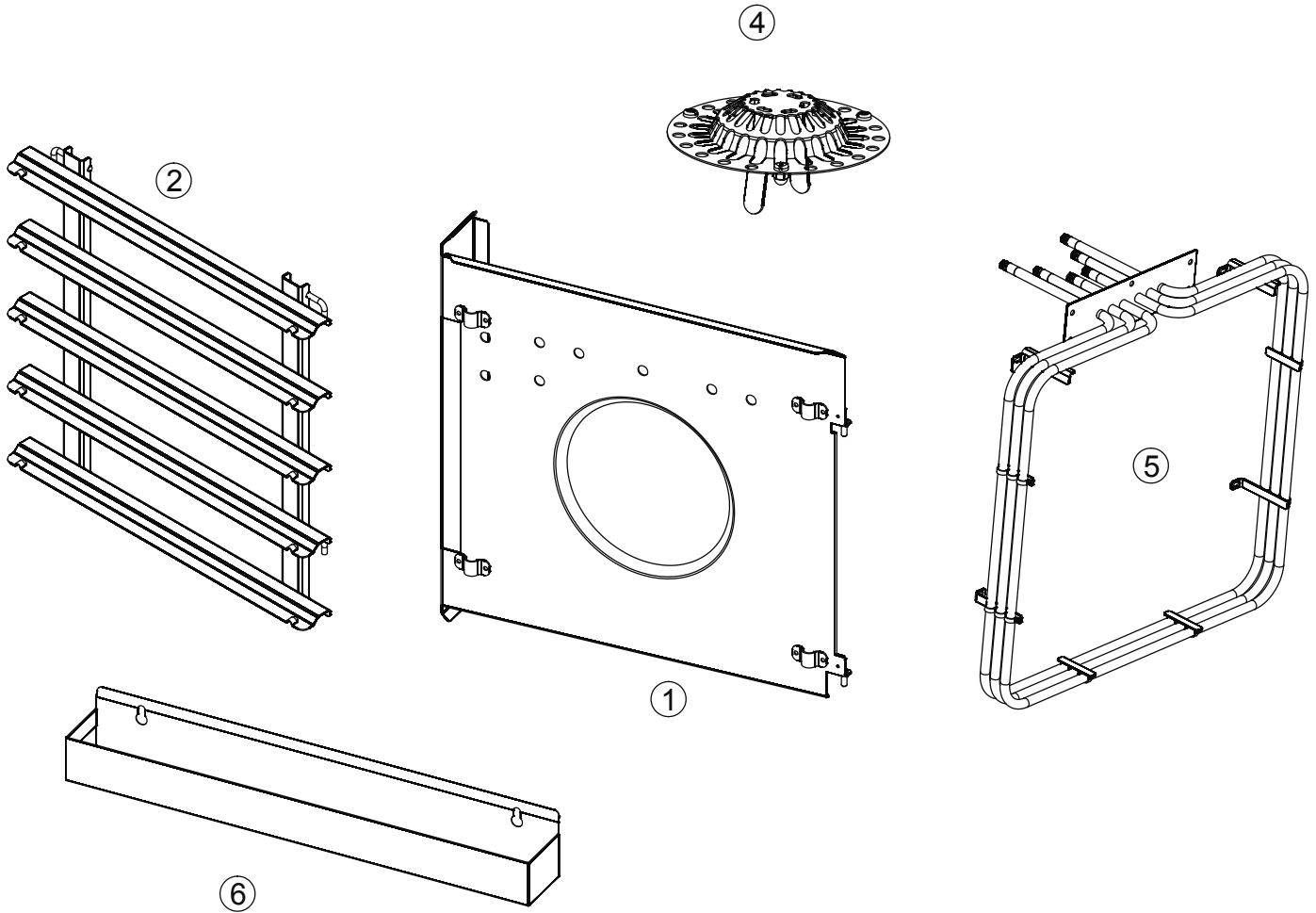
<u>Ref. No.</u>	<u>Part No.</u>	<u>Description</u>
	52215	Door Lock Assembly (Includes All Items on Page)
1	18265	Indicator Light
2	52082	Door Lock Control
3	54280	Door Switch Assembly
	52129	Door Lock Assembly (Includes items 4 through 12)
4	54338	Door Lock Piston Base with Bearing
5	52076	Door Lock Rod
6	52074	Door Lock Piston Barrel
	52075	Bearing, Flanged, Door Piston Barrel (Not Pictured)
7	52066	Door Lock Cam
8	51856	Motor
9	52077	Door Lock Rod Pin
10	37392	Micro Mini Switch (Qty 2)
12	52127	Ball Joint
	52125	Harness, Door Lock

EXTERIOR COMPONENTS (FRONT)



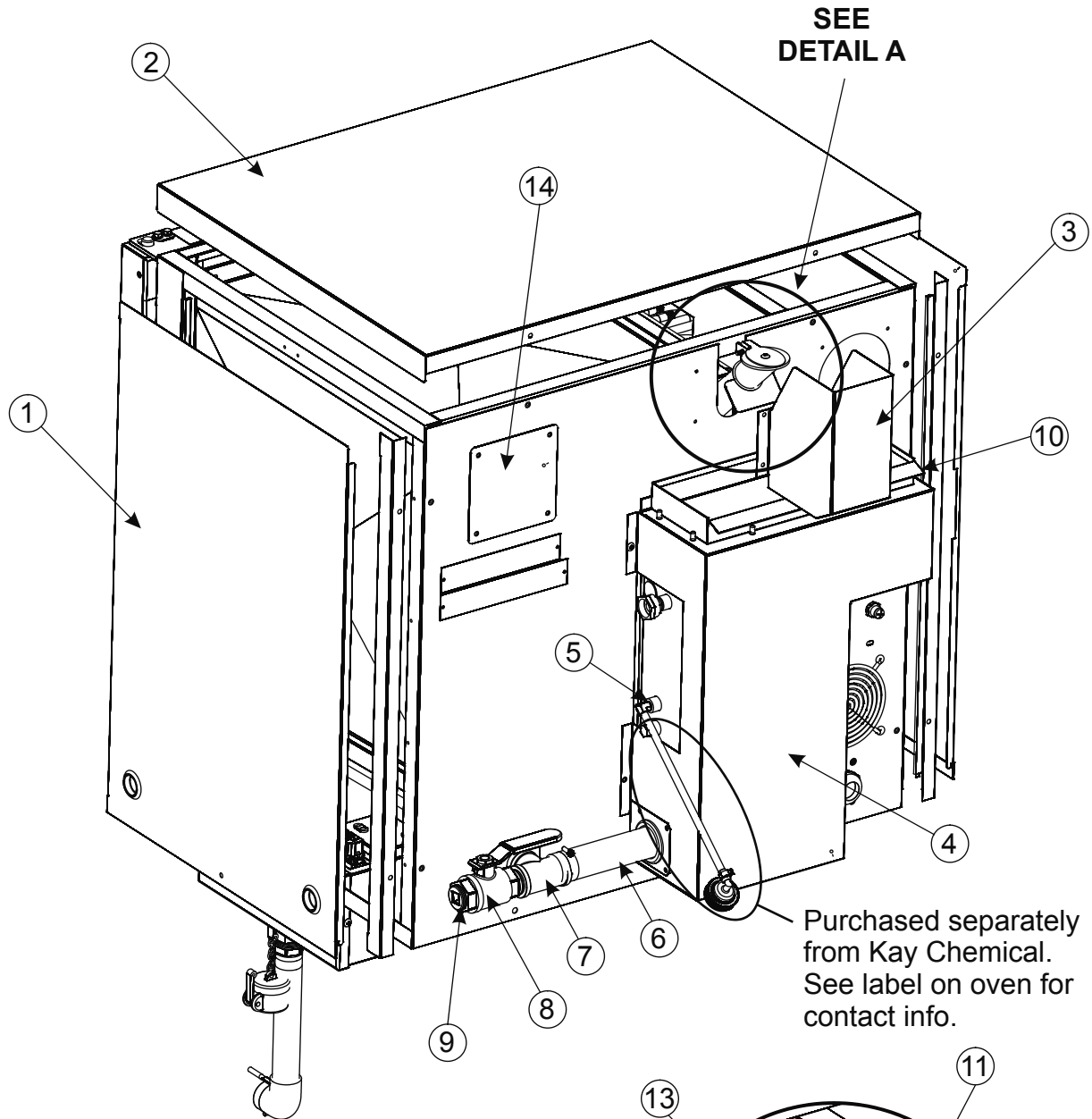
Ref. No.	Part No.	Description
1	52112	LH Front Cover Trim
2	52121	RH Front Cover Trim
3	52080	Center Trim
4	51787	Body Panel, Front
5	52071	Door Lock Top Cover Trim
6	52147	Door Lock Cover
7	52102	Decal, Door Lock
8	50955	Magnetic Proximity Sensor
	52174	Magnetic Sensor w/Bracket Kit
9	52543	Door Gasket
10	52658	"T" Latch kit W/Gauge
11	51877	Base for "T" Latch, W/Hardware
	52162	Door switch Nut, Brass
12	33005	Shoulder Bolt (For 51787)
13	50494	Hinge Bracket, Upper
14	50975	Hinge Bracket, Lower
15	53418	Vent Guard w/Key Slots

INTERIOR COMPONENTS



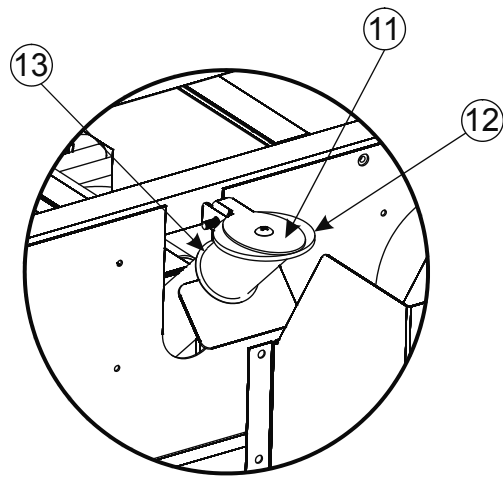
Ref. No.	Part No.	Description
1	50598	Baffle
2	50592	Pan Support (Qty 2)
	52873	Blower Wheel Assembly
4	52001	Strainer
5	51545	Element Assembly 208V (includes gasket)
	51546	Element Assembly 240V (includes gasket)
6	50911	Gutter

EXTERIOR COMPONENTS (REAR)



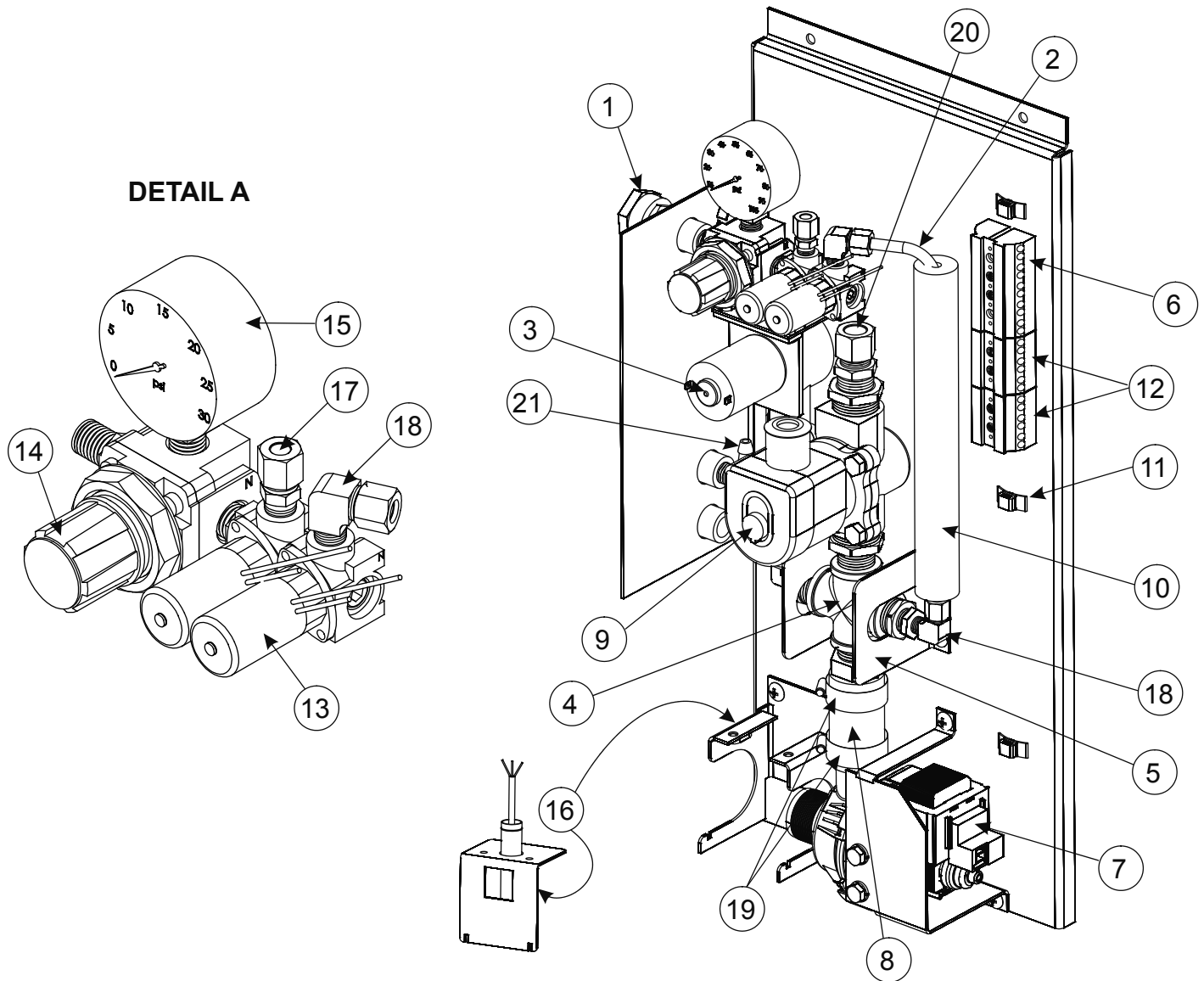
Purchased separately from Kay Chemical. See label on oven for contact info.

Ref. No.	Part No.	Description
1	52120	Body Side (Left or Right)
2	39147	Body Top
3	53418	Vent Guard
4	50883	Backpack Cover Panel (For Backpack components see 50971 detail)
5	53995	Barbed Fitting, 1/4 x 1/4 NPT, Brass
6	53755	Hose, 1-5/8" OD, Silicone (10" Section)
7	52134	Tee, 1" NPT, Brass
8	55342	Street Elbow, 1"
8	52135	Ball Valve, 1" NPT Brass
9	52138	Plug, 1" NPT Square Socket Brass
10	50993	Vent Drip Pan
11	50892	Vent Lid
12	39777	Vent Lid, Teflon
13	51326	O-Ring
14	52132	Vent Cover



DETAIL A

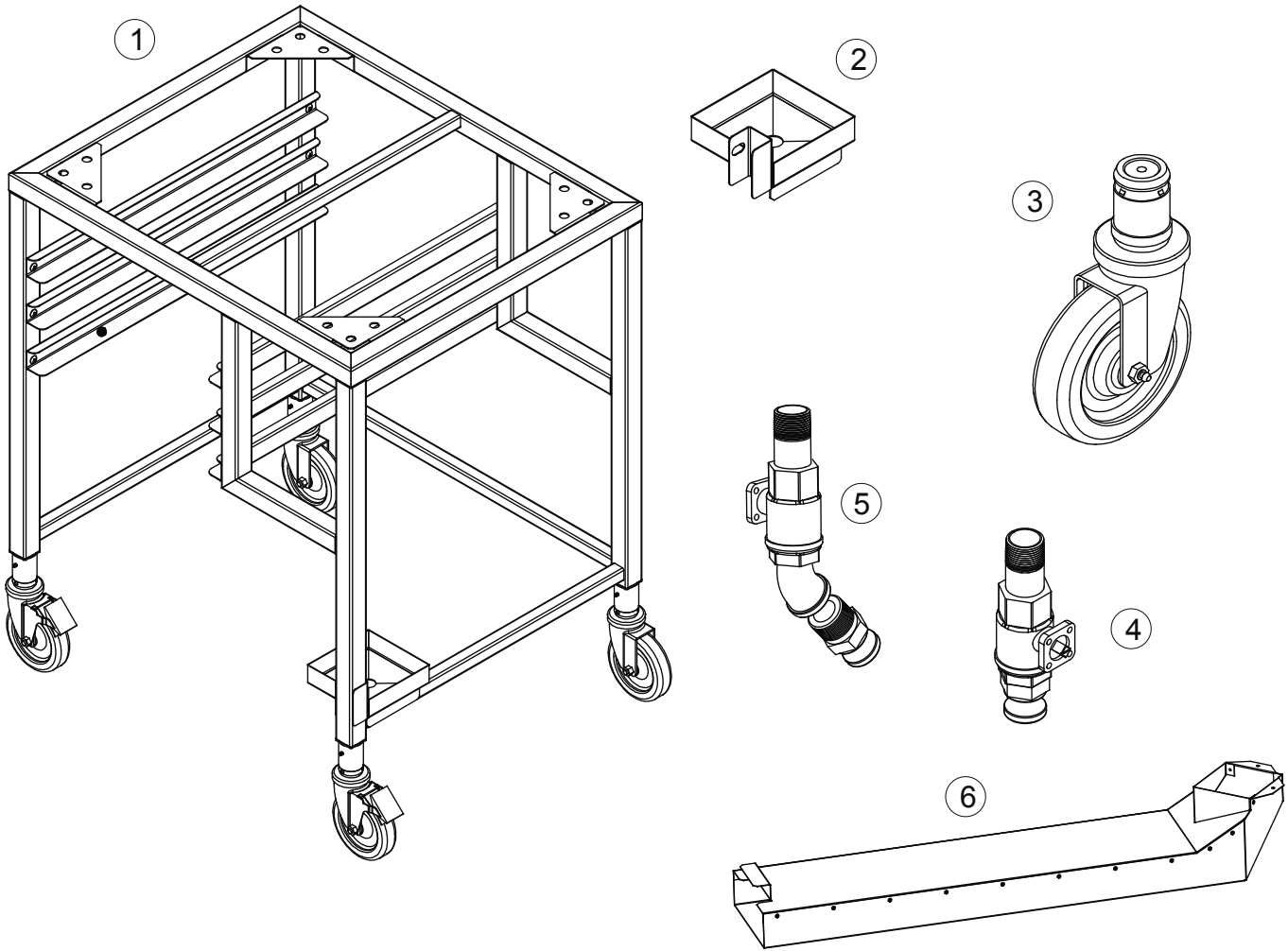
BACK PACK ASSEMBLY



Ref. No.	Part No.	Description
	50971	Backpack Assembly (Includes all of the following parts)
1	50261	Hose Filter
2	50953	Water Supply Tube
3	50321	Pump, 24VDC, Peristaltic
	54035	Pump Cartridge w/Fittings
4	55108	Cross Pipe, 1/2" NPT, s/s
5	50881	Cross Bracket, 2 Piece Design
	55335	Cross Bracket, 1 Piece Design
6	50952	Terminal Block, 5 Position, Push in
7	50954	Circulation Pump, 24VAC
8	R1088	Hose, 7/8" ID (by the foot)
9	51001	Solenoid Valve, 3/4" NPT
10	51033	Insulation Tube, 1/4" (by the inch)
11	50106	Push Wing Mount (Qty 3)
12	R11255	Terminal Block (Qty 2)
13	39796	Solenoid Assembly, 24V, Dual

Ref. No.	Part No.	Description
14	50657	Water Pressure Regulator, 1-100 PSI
15	18411	Pressure Gauge
	51128	Water Regulator Assembly (includes items 14 & 15)
16	51843	Sensor, Water
	52232	Spacer, For Water Sensor (Not Pictured)
17	M0959	Compression Fitting, Straight
18	21225	Compression Elbow, 1/8 NPT x 1/4" Comp.
19	R0254	Hose Clamp, 3/4-1-1/2" (QTY 2) Compression
20	55348	Fitting, S/S, 3/4 NPT x 1/2" Comp. Fitting, Elbow
21	53995	1/4 Barb x 1/4 NPT
	54107	Hose Clamp, 1/4-5/16" (qty 2)
	55107	Reducer 3/4" NPT to 1/2" NPT s/s
	55112	Reducer 1/2" NPT to 1/4" NPT s/s
	55111	Reducer 1/4" NPT to 1/8" NPT s/s
	55109	Nipple, 1/2" NPT s/s
	55113	Adapter, 1/2" NPT x .92 Barb

OVEN STAND & OTHER ACCESSORIES



Ref. No.	Part No.	Description
1	39925	XCEL-50EC Stand Assembly, 39"
	52248	XCEL-50EC Stand Assembly, 24"
	52237	XCEL-50EC Stand Assembly, 16"
2	52009	Bottle Holder Assembly W/Hardware
3	33528	Set x 4 Casters, Adj. Round Stem (For 39" stands built before 08-09)
	52324	Set x 4 Casters, Square Mount (For 24"&16" stands or 39" stands built after 08-09)

Note: All Stand Assemblies above include Casters. The 39" stand includes Casters and 52009 Bottle Holder

4	50907	Dump Drain Assembly (For units with 39" & 24" Stands)
5	52183	Dump Drain Assembly (For units with 16" Stands)
6	54286	Air Intake Vent Assembly Kit (For units with 39" Stand)
	54287	Air Intake Vent Assembly Kit (For units with 24" Stand)
	R0469	Water Supply Hose, 8'