



**XR8 SERIES
GAS & ELECTRIC ROTATING RACK CONVECTION OVENS
REPLACEMENT PARTS LIST**

EFFECTIVE APRIL 10, 2019

Superseding All Previous Parts Lists.

The Company reserves the right to make substitution in the event that items specified are not available.

ERRORS: Descriptive and/or typographic errors are subject to correction.

BLODGETT OVEN COMPANY

42 Allen Martin Drive, Essex Junction, Vermont 05452 USA Telephone: (802) 658-6600 Fax: (802) 860-3732
www.blodgett.com

P/N 54780 Rev P

SERIAL NUMBER LOCATION / KEY:

IMPORTANT: When ordering parts, please provide the model, gas type and serial number of the oven. The identification plate is located behind the control panel. To access, remove the two screws on the right side of the control panel. Pull the control panel toward the right side of the oven. Then pull away from the oven and rotate out.

SERIAL NUMBER IDENTIFICATION CODE:

DG = XR8-G GAS ROTATING RACK CONVECTION OVEN

DL - XR8-E ELECTRIC ROTATING RACK CONVECTION OVEN

SERIAL NUMBER EXAMPLES

071907DG027Z

07/19/07 = DATE

DG = LETTER CODE FOR XR8-G

001 = FACTORY SEQUENCE

PLEASE NOTE THAT THE SERIAL NUMBERS

ON THE XR8 ARE ONLY 12 DIGITS LONG!!!

TO OBTAIN LITERATURE:

Email: literature@blodgett.com

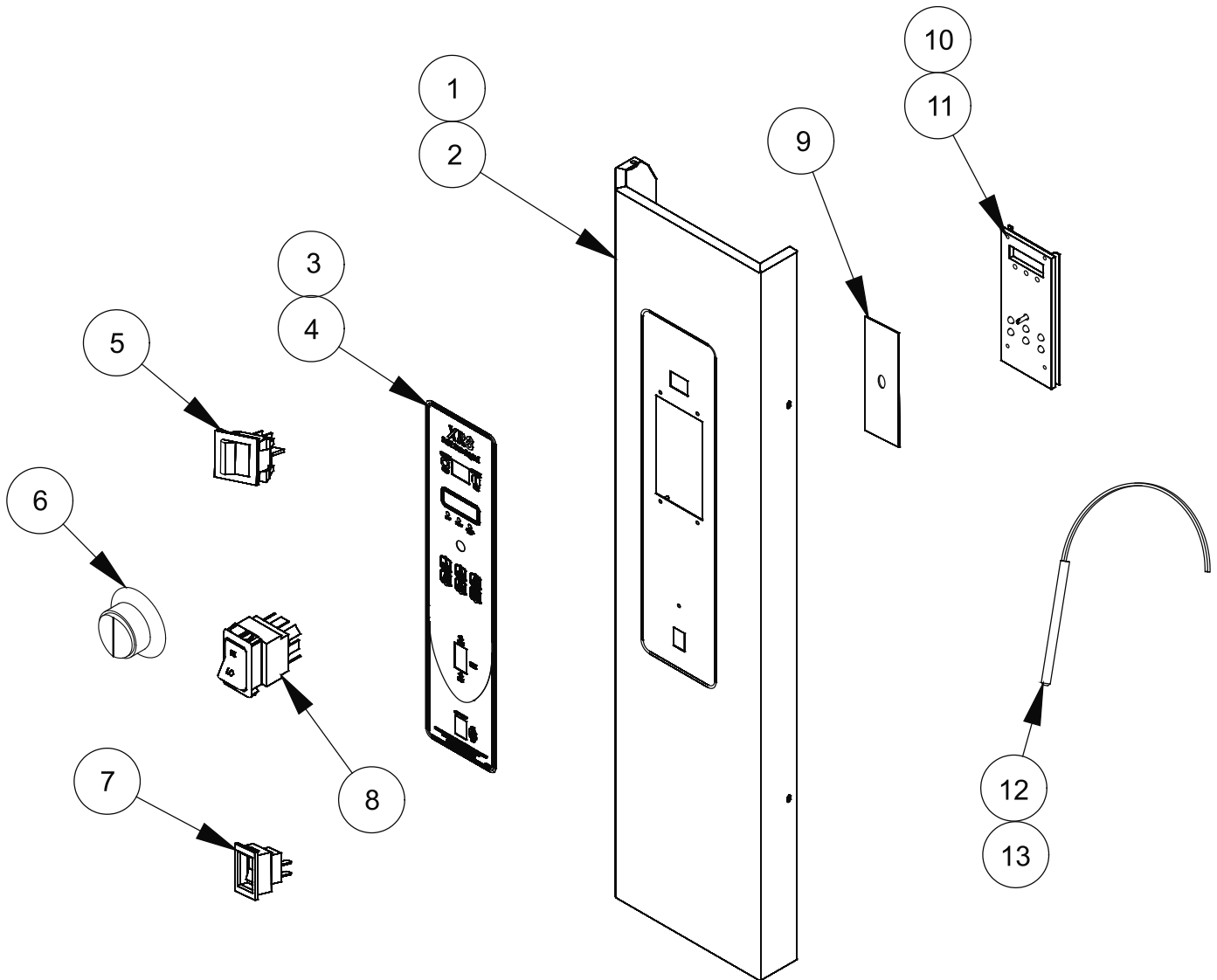
or visit

www.blodgett.com

TABLE OF CONTENTS

SOLID STATE CONTROLS	PAGE 4
MENUSELECT CONTROLS	PAGE 5
ELECTRICAL COMPARTMENT.....	PAGE 6
HOT AIR SYSTEM	PAGE 7
GAS TRAIN COMPONENTS.....	PAGE 8
STEAM SYSTEM.....	PAGE 9
INTERIOR ITEMS	PAGE 10
DOOR COMPONENTS.....	PAGE 11
CAROUSEL DRIVE SYSTEM.....	PAGE 13
ACCESSORIES.....	PAGE 14

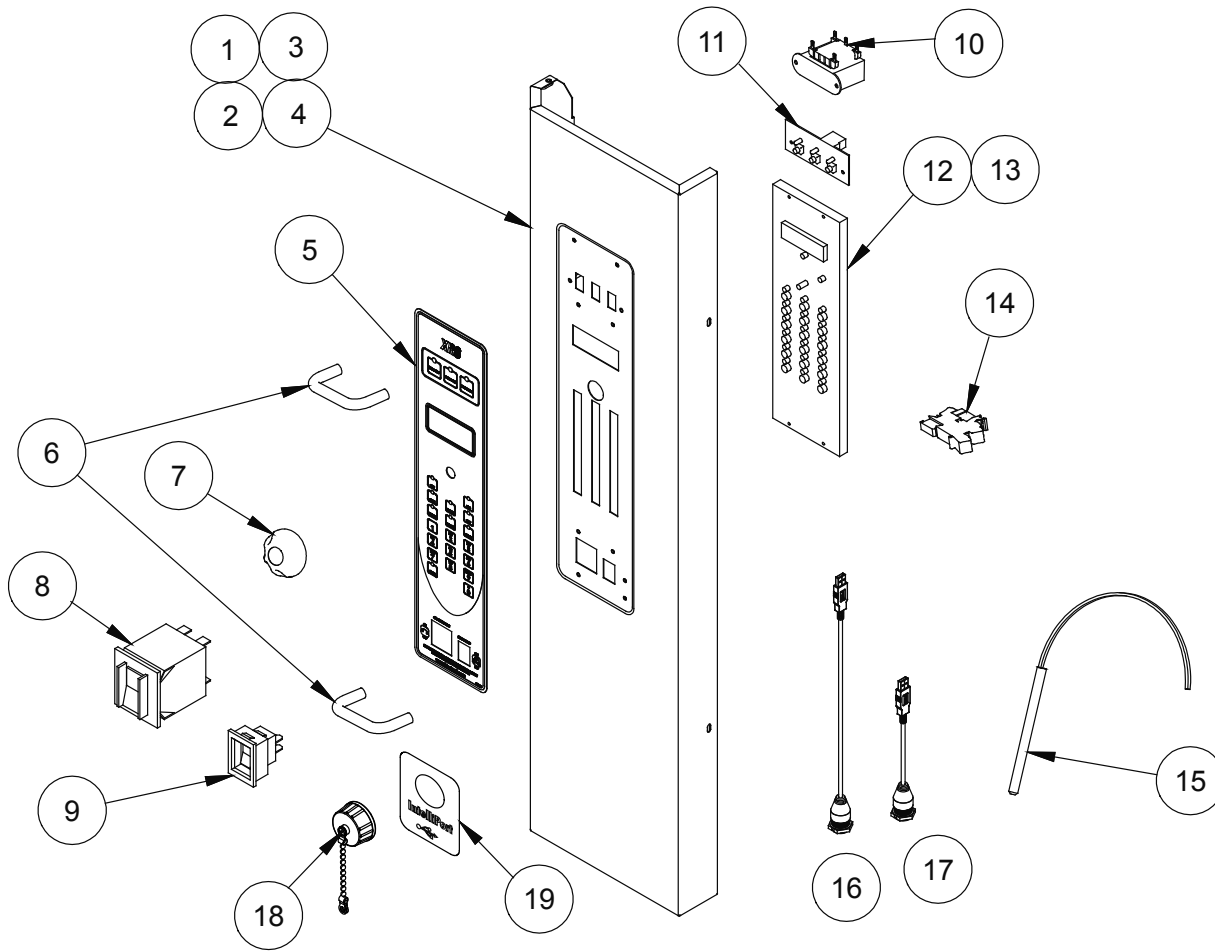
SOLID STATE CONTROLS



Ref. No.	Part No.	Description
1	38483	Control panel, for ovens manufactured before 07-19-2007
2	50797	Control panel, for ovens manufactured after 07-19-2007
3	38482	Decal, single speed blower
4	51752	Decal, two speed blower
5	19619	Switch, power on/off
6	36617	Control knob
7	36376	Switch, gas on/off
8	20530	Switch, blower (2 speed only)

Ref. No.	Part No.	Description
11	56865	Control, solid state for ovens manufactured after 03-20-2007 (general market)
	56864	Control, solid state (Corner Bakery)
12	50787	Probe, 100K or ovens manufactured before 03-20-2007
13	50786	Probe, 1K for ovens manufactured after 03-20-2007
	38607	Wiring harness, 1 speed
	51751	Wiring harness, 2 speed
	51976	Complete control panel assy, 1 speed for ovens manufactured after 07-19-2007 (includes all items except probe)
	50844	Complete control panel assy, 2 speed (includes all items except probe)

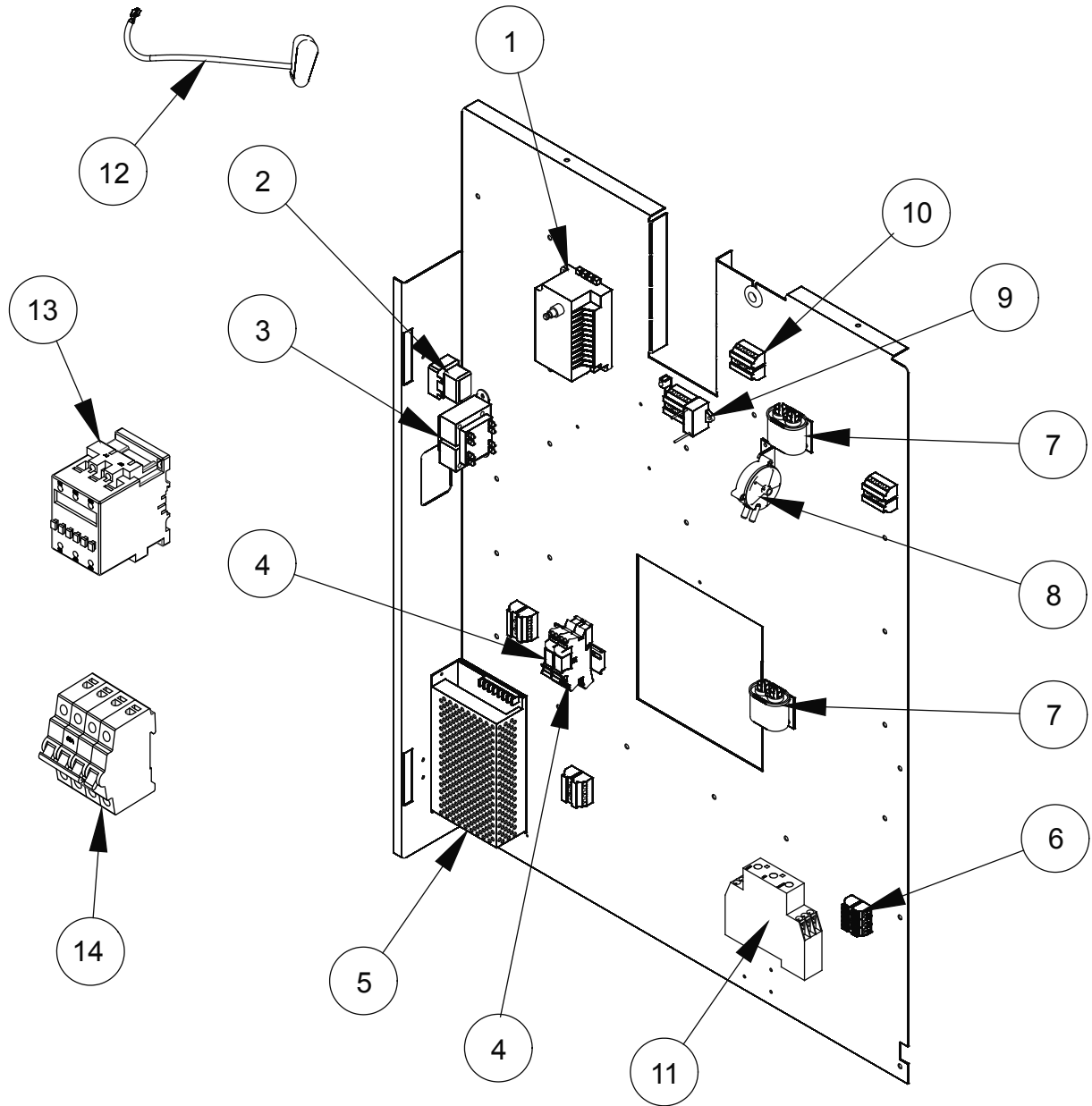
MENUSELECT™ CONTROLS



Ref. No.	Part No.	Description
1	38949	Control panel, for ovens manufactured before 07-19-2007
2	50536	Control panel, for ovens manufactured after 07-19-2007 and before 09-01-09
	52277	Control panel, for ovens manufactured after 09-01-09
3	52699	Control panel, complete for Dunkin Donuts
4	50665	Complete control panel assy
5	38693	Control decal
6	R4413	Handle
7	51372	Knob
	50986	Decal, "PRESS TO ENTER"
8	36429	Circuit breaker
9	36376	Switch, gas on/off
10	20356	Transformer, 115/230 to 24V
11	39122	Board, 3 button
12	53382	Control, Menuselect™

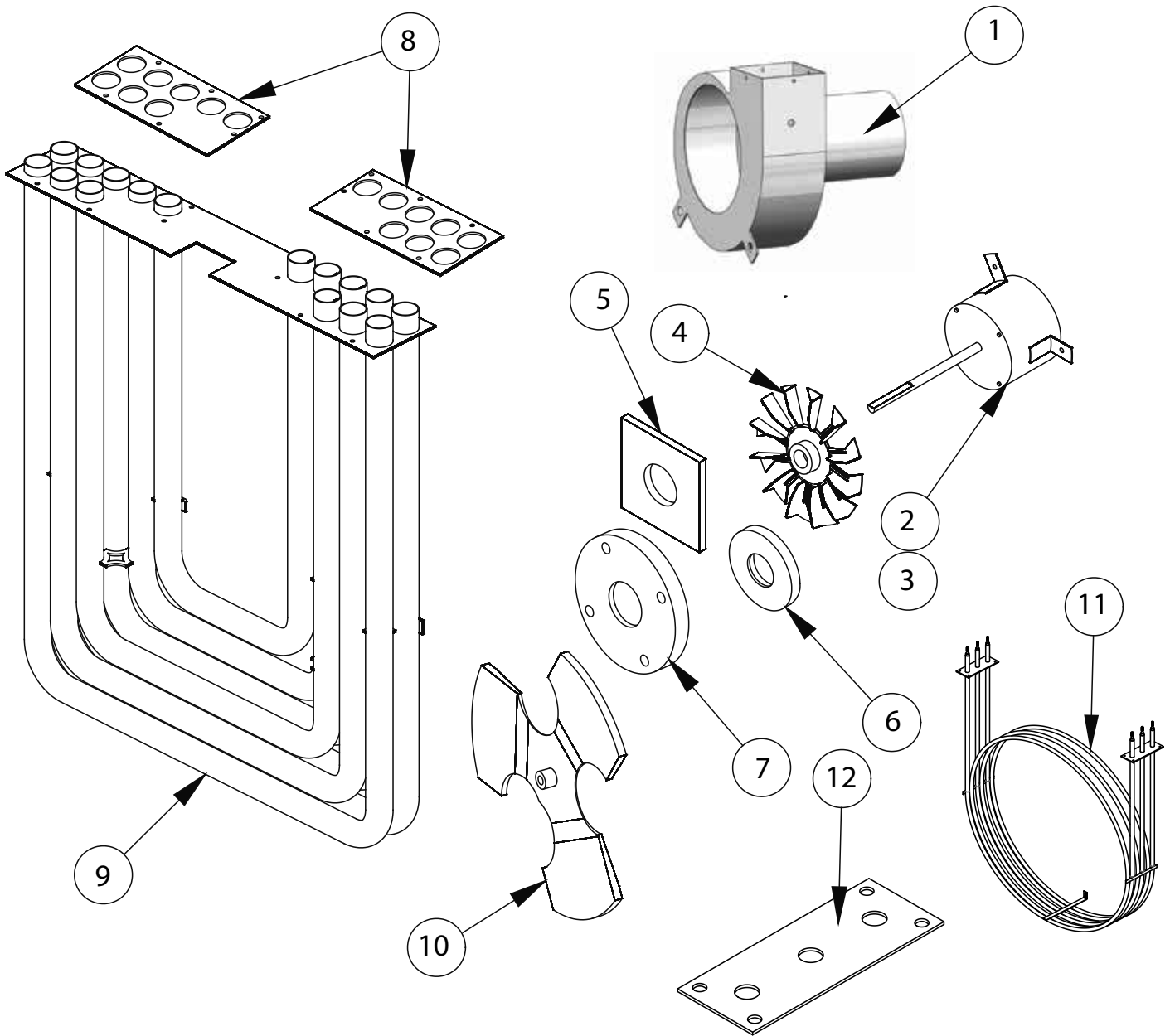
Ref. No.	Part No.	Description
13	52693	Control, VFD, XR8-G Dunkin Donuts only (for ovens built after 1-08-10)
	54627	Control, VFD, XR8-E Dunkin Donuts only
	53300	Control, VFD, Dunkin Donuts only (for ovens built before 1-08-10)
14	38604	Relay, 24 VDC DPDT (qty of 6 in oven)
15	50786	Probe, 1K
16	52647	USB cable, 36" (for ovens built after 1-08-10)
17	52160	USB cable, 18" (for ovens built before 1-08-10)
18	52161	Protective cap, USB
19	52269	Decal, USB
	39998	Thermistor, 5 ohm
	39529	Harness, high voltage
	39533	Harness, low voltage
	52926	Flash drive, USB, 2GB (2 gigabyte)

ELECTRICAL COMPARTMENT



Ref. No.	Part No.	Description	Ref. No.	Part No.	Description
1	54725	Control, ignition	9	38609	Capacitor, rack motor
2	36441	Thermostat, high limit	10	R11255	Terminal block, 3 pole (qty of 5 in oven)
3	36700	Transformer, 115/230V-24V	11	39784	Relay, timing
4	38604	Relay, 24VDC DPDT	12	36605	Spark wire
5	52946	Power supply, 24VDC	13	56470	Contactor, 208/240V
	M3166	Fuse, power supply	13	56471	Contactor, 480V
6	38605	Terminal block, incoming power	14	39804	Circuit Breaker, 208V or 240V
7	38610	Capacitor, electrolytic	14	39113	Circuit Breaker, 480V
8	M9422	Pressure switch		M9705	Tubing, silicone (pressure)

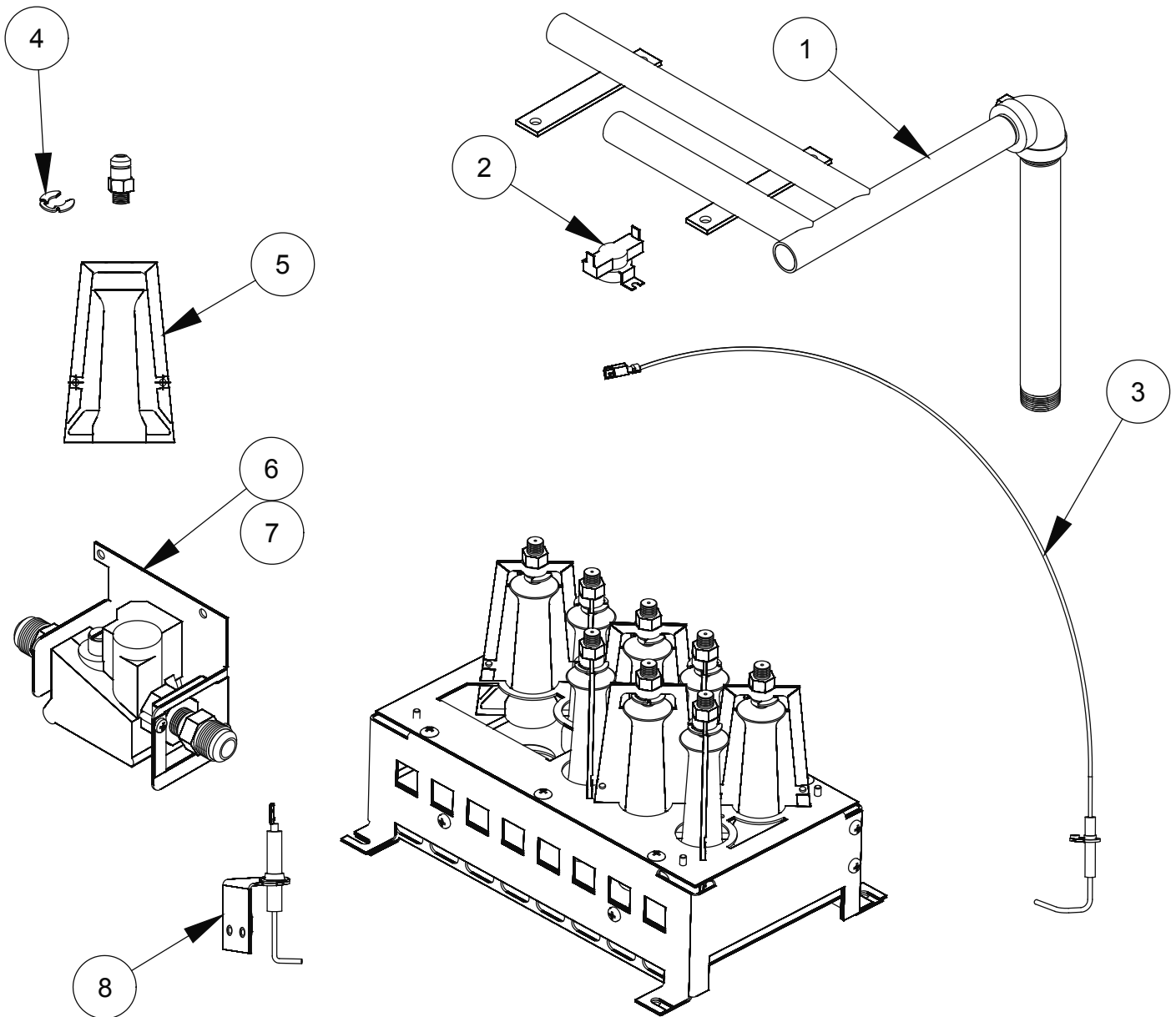
HOT AIR SYSTEM



Ref. No.	Part No.	Description
1	38515	Draft inducer motor 115V
	54672	Draft inducer motor 208-240V
2	59373	Blower motor, single speed
3	59373	Blower motor, two speed
4	38595	Cooling fan
5	38593	Shaft seal, square
6	39640	Shaft seal, round
7	39641	Shaft seal retainer
8	38416	Gasket, heat exchanger
9	38348	Heat exchanger
10	38411	Fan blade

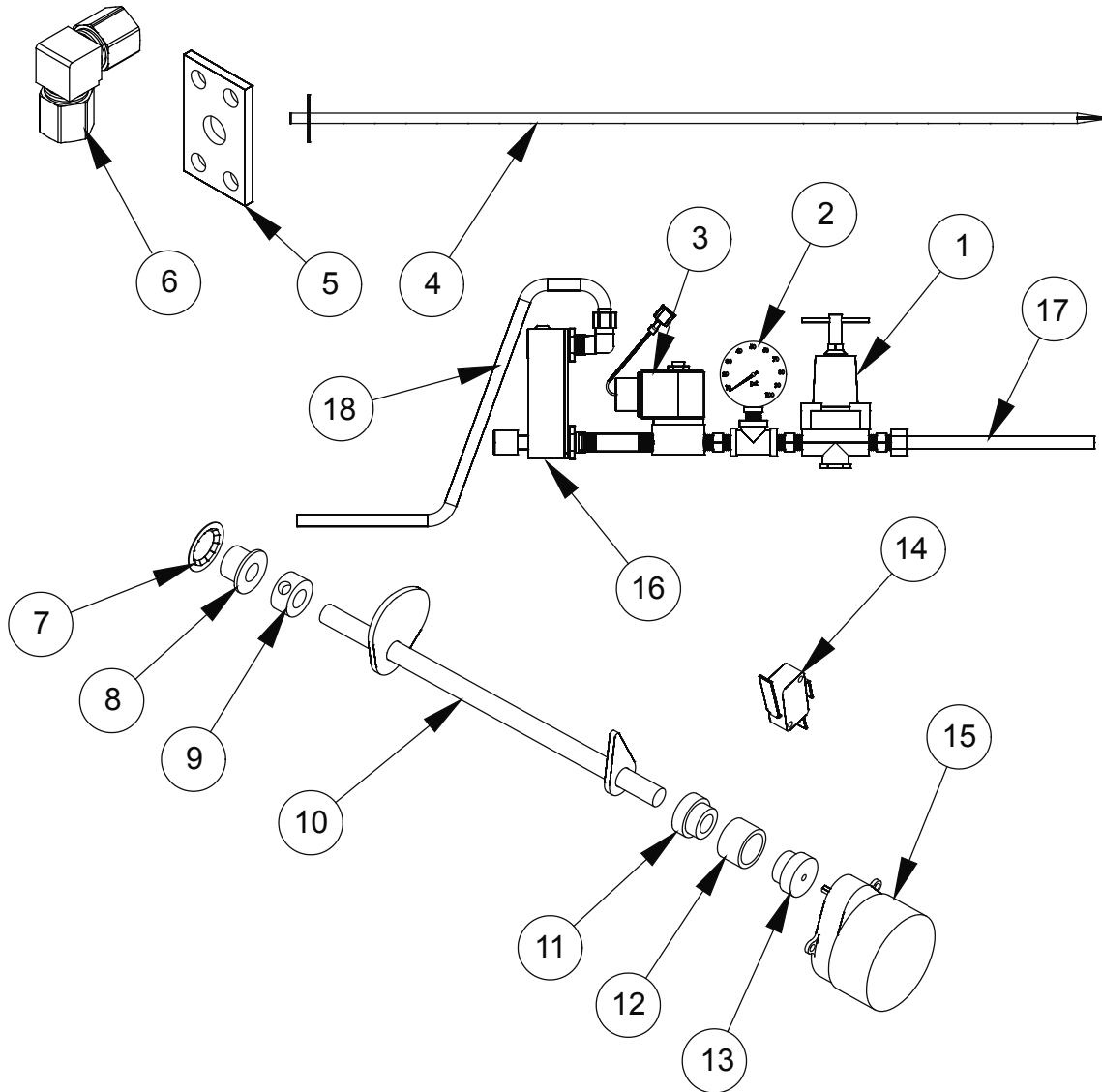
Ref. No.	Part No.	Description
11	53221	Element, 208V 18 KW
	53222	Element, 240V 18KW
	53564	Element, 480V 18KW
	53543	Element, 208V, 15KW (Dunkin Donuts only)
	53375	Element, 240V, 15 KW (Dunkin Donuts only)
	53563	Element, 480V, 15 KW (Dunkin Donuts only)
12	53327	Element Gasket
	R11452	Transformer 240/115V - export only

GAS TRAIN COMPONENTS



Ref. No.	Part No.	Description	Ref. No.	Part No.	Description
1	38433	Manifold assembly	38962		Burner assembly, natural gas (includes all items above except gas valve)
2	22724	High limit switch	38966		Burner assembly, LP gas (includes all items above except gas valve)
3	39831	Electrode, flame sense	55648		Spark wire
4	38964	Orifice retaining ring			
5	38566	Burner, inshot			
6	38742	Valve, natural gas			
7	38743	Valve, LP gas			
8	51633	Ignitor assembly			

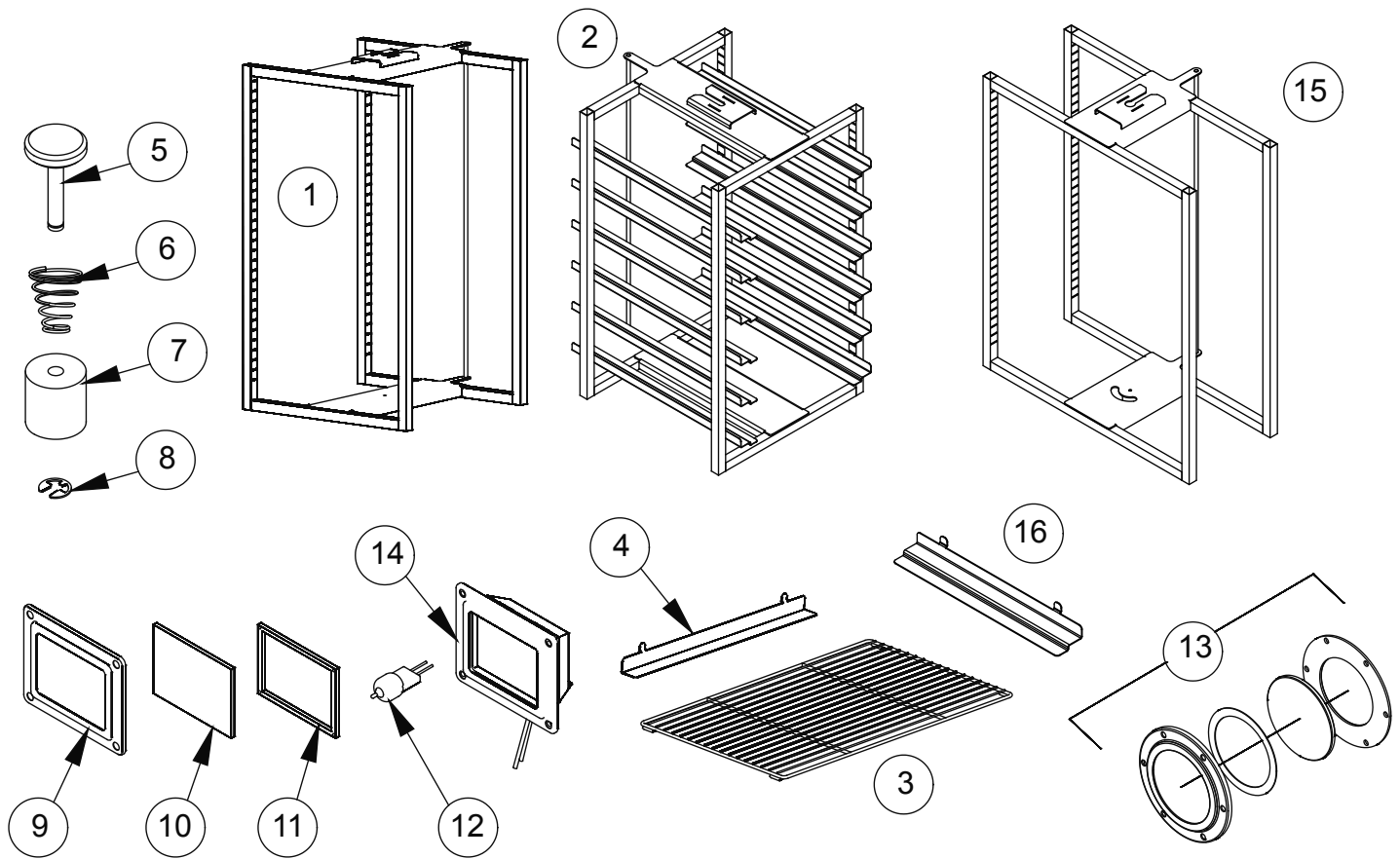
STEAM SYSTEM



Ref. No.	Part No.	Description
1	18409	Pressure regulator
2	18411	Pressure gauge
3	18300	Water valve
4	38382	Steam tube
5	38390	Steam tube gasket
6	R8986	Fitting, 90 degree
	52178	Kit, steam tube
7	38584	Bushing retainer
8	38585	Bushing
9	38575	Collar
10	38494	Vent rod assembly

Ref. No.	Part No.	Description
11	38586	Coupling, 3/8 ID
12	38588	Sleeve
13	38587	Coupling, 1/8 ID
14	38576	Vent motor
15	37392	Micro switch
16	53423	Flowmeter kit (for ovens built before 2-28-10)
	53243	Flowmeter kit (for ovens built after 2-28-10)
17	R6328	Flex Tube 3/8" x 18"
18	R6330	Flex Tube 3/8" x 36"

INTERIOR ITEMS



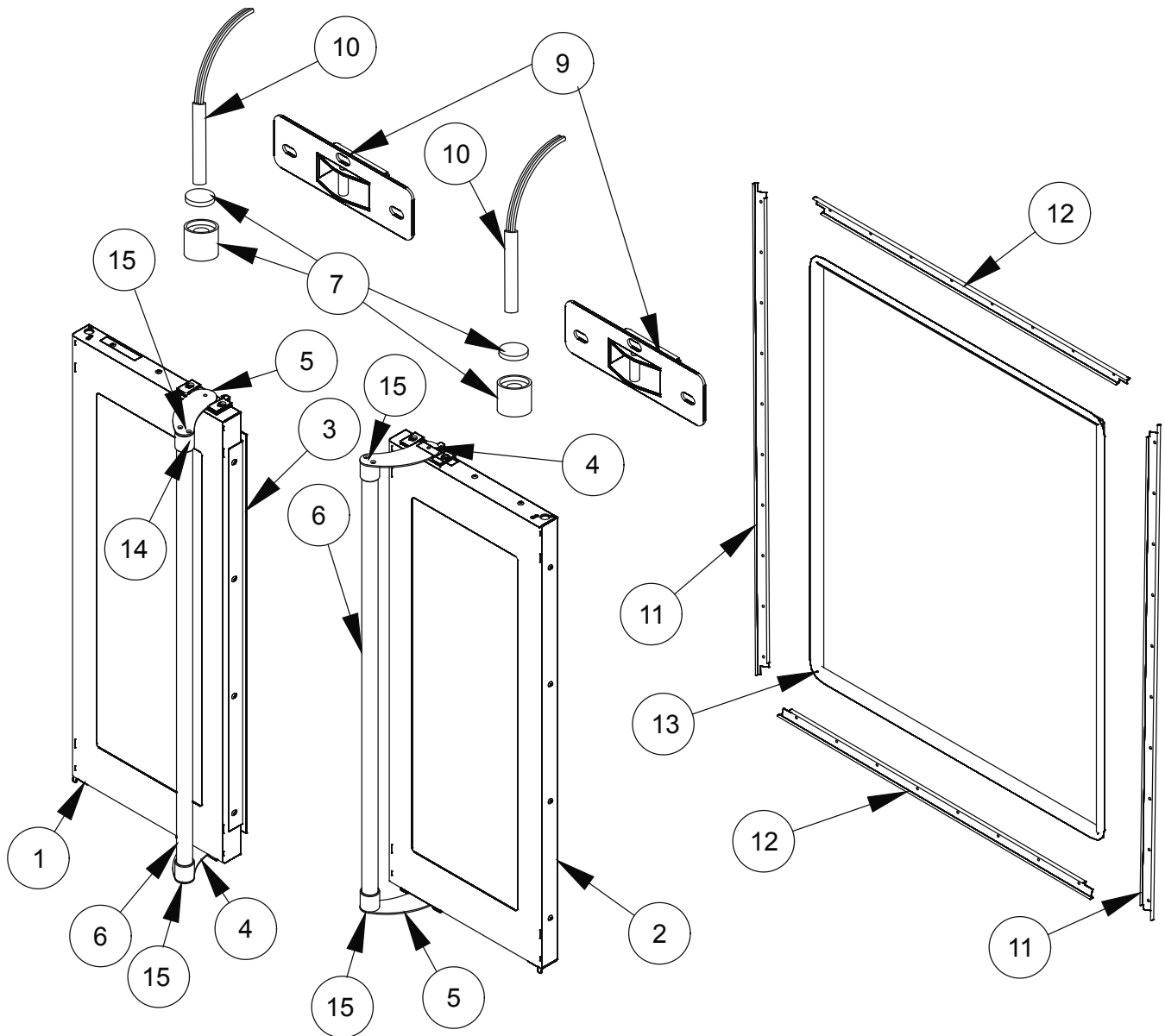
Ref. No.	Part No.	Description
1	38346	Carousel assembly, narrow loading
2	52601	Carousel assembly, Dunkin Donuts only
3	38905	Wire rack
4	57133	Pan supports (2) for use with 38346 narrow loading carousel only
5	38312	Plunger
6	38367	Plunger spring
7	38310	Carousel bushing
8	38956	Retaining ring, plunger
9	D0125	Lamp bezel for square light design
10	50192	Lamp lens for square light design
11	D0127	Gasket, lamp bezel for square light design

Ref. No.	Part No.	Description
12	D0128	Bulb, halogen for square light design, type G4, .16" between pins
	57075	Bulb, halogen for square light design, type G5.3, .21" between pins
	53101	Bulb, halogen for round light design
13	53081	Lens and gasket for round light design
	53194	Lamp housing assy (socket, holder & bulb) (for round design)
14	57058	Halogen light assy (square)
	38313	Lower plate assembly
15	59656	Carousel assembly, wide loading
16	59655	Pan supports (2) 16" for use with 59656 wide loading carousel only

DOOR COMPONENTS

(For Ovens Built After 07-19-07.

These ovens will have the model code "DJ" within the serial number)



Ref. No.	Part No.	Description
1♦	50630	Door assembly, LH glass (comes with item #3 only)
2♦	50625	Door assembly, RH glass (comes with item #3 only)
3	38913	Center door gasket w/retainer
4	57016	Latch Kit, RH Top/LH Bottom
5	57015	Latch Kit, LH Top/RH Bottom
6	50241	Door handle
7	57351	Cup and magnet, 2 per oven

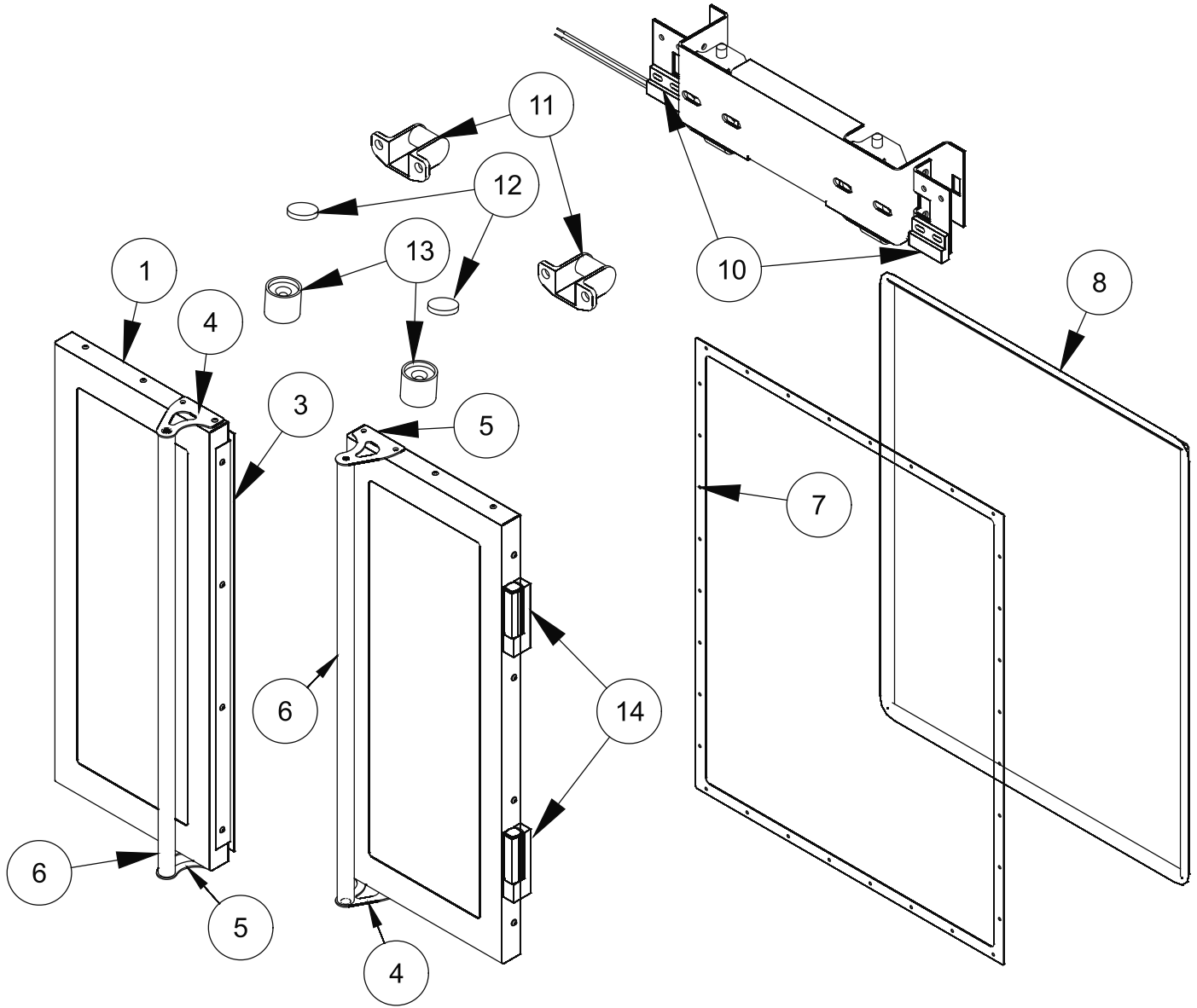
Ref. No.	Part No.	Description
9	57888	Door catch (top or bottom)
10	39744	Proximity switch, magnetic
11	50100	Gasket retainer, left / right
12	50099	Gasket retainer, top / bottom
13	50064	Door gasket
14	50213	Handle end caps
15	50836	10-24 screws for handle

♦ Doors Are Not Returnable

DOOR COMPONENTS

(For Ovens Built Before 07-19-07.

These ovens will have the model code "DF" within the serial number)

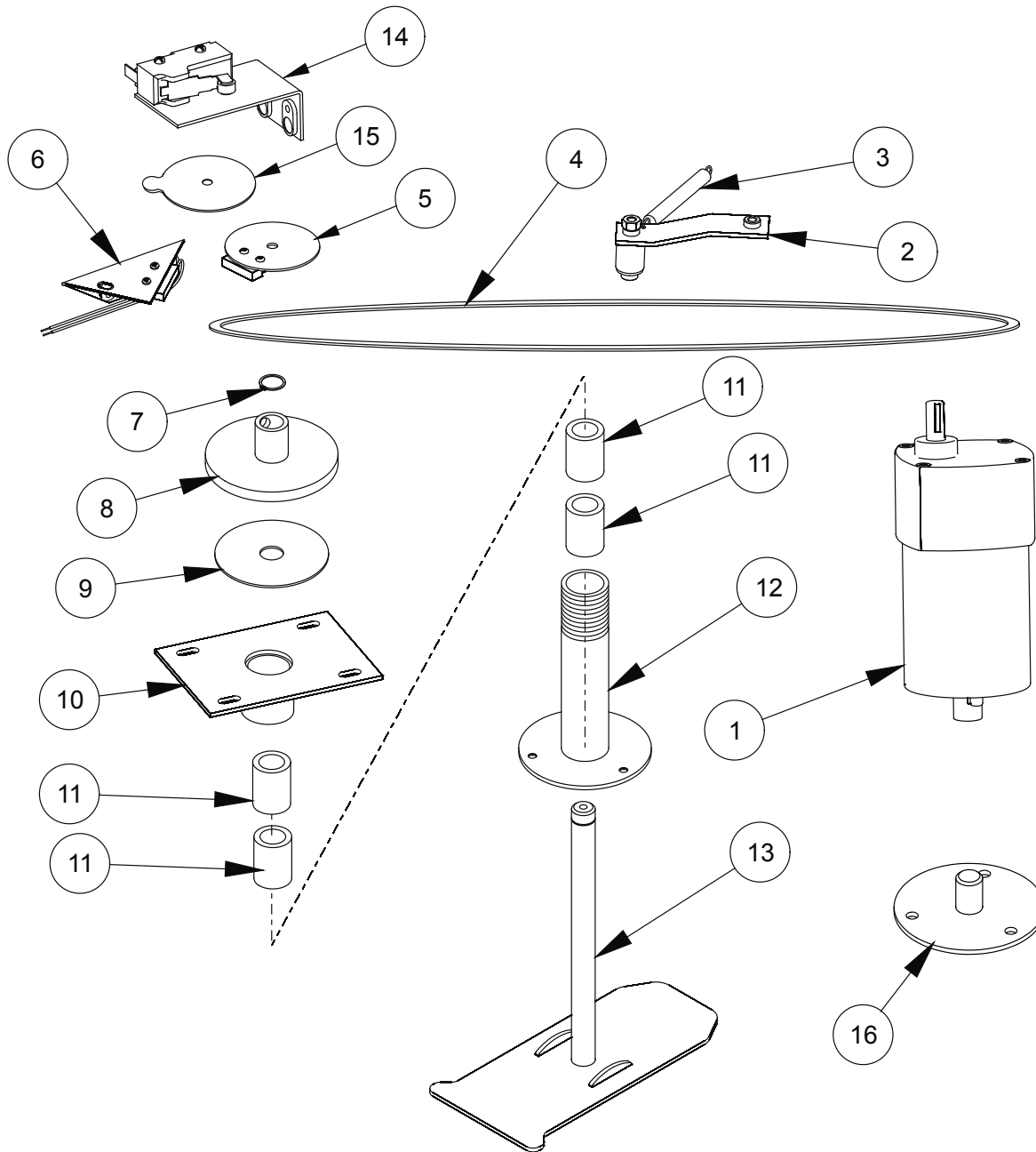


Ref. No.	Part No.	Description
1 ♦	38225	Door assembly, LH glass (comes with item #3 only)
3	38913	Center door gasket w/retainer
4	38473	Bracket, door handle
5	38835	Bracket, door handle6
6	38836	Door handle assembly (includes items #4 and 5)
7	38355	Gasket retainer
8	38356	Oven gasket

Ref. No.	Part No.	Description
10	38381	Sensor, magnetic
11	38961	Latch striker
12	38792	Magnet, door
13	38791	Cup, magnet
14	38918	Hinge, door (right or left)

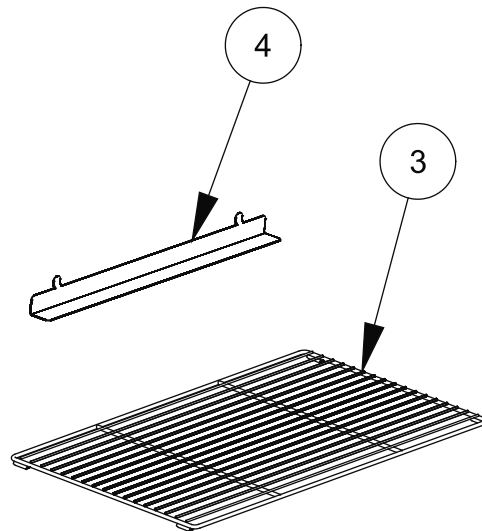
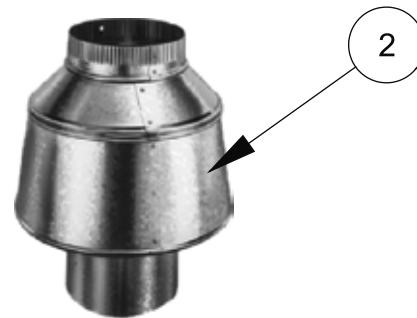
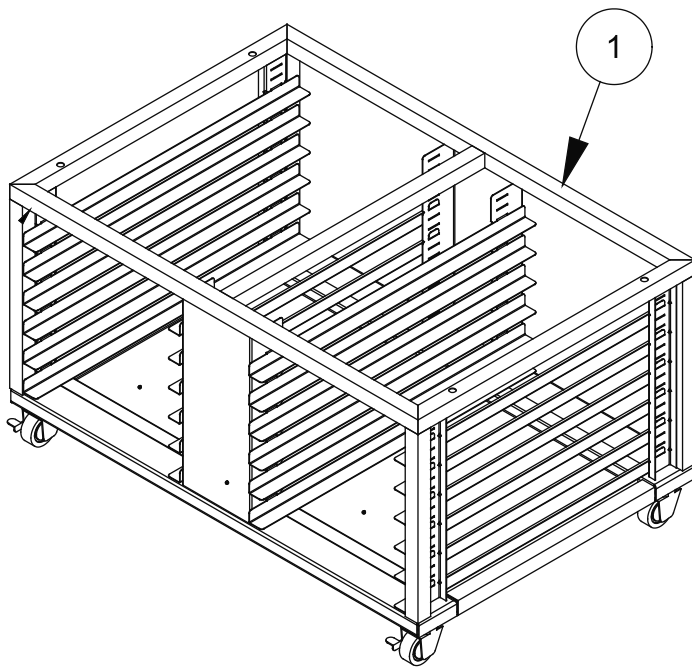
♦ Doors Are Not Returnable

CAROUSEL DRIVE SYSTEM



Ref. No.	Part No.	Description	Ref. No.	Part No.	Description
1	38358	Motor, drive	9	38295	Thrust bearing
	38409	Pulley, motor drive	10	38292	Top plate
2	38747	Idler arm assembly (includes item #3)	11	38294	Bearing, sleeve (4 per oven)
3	38523	Spring, idler arm	12	38362	Plate assembly, inside top
4	38410	Drive belt	13	38347	Carousel support
5	38839	Indicator, rack position (before 07-22-09)	14	52698	Microswitch assembly (after 07-22-09)
6	38838	Sensor, rack position (before 07-22-09)	15	52643	Cam, microswitch (after 07-22-09)
7	38314	Retainer clip		56856	Pulley, carousel
8	38290	Load bearing disc (after 03-18-13)		53106	Cam and bracket kit
	56857	Rotating rack upgrade kit	16	38313	Lower plate assy. with pin

ACCESSORIES



Ref. No.	Part No.	Description
1	38978	Stand assembly with casters
	54596	Stand assembly with feet
2	38557	Direct vent drafthood
3	38905	Wire racks
4	57134	Pan slides, stand (2)
	21242	48" flex gas hose with quick disconnect and restraining device
	21826	36" flex gas hose with quick disconnect and restraining device
	53163	Caster shim kit

Ref. No.	Part No.	Description
	38338	Pan slide, oven
	5091	Cordset, 120V
	R0469	Water hose, 8 ft.
	58589	15-60P / 4 AWG cord set for 208V and 240V, 3 phase, 18 kW and 208V, 3 phase, 15 kW
	57024	15-30P / 6 AWG cord set for 240V, 3 phase, 15 kW
	100607	L16-30P / 8 AWG for 480V, 3 phase, 15 kW and 18 kW