



ZEPHAIRE-100-G-ES AND ZEPHAIRE-200-G-ES CONVECTION OVEN REPLACEMENT PARTS LIST



EFFECTIVE OCTOBER 9, 2018

Superseding All Previous Parts Lists.

The Company reserves the right to make substitution in the event that items specified are not available.

ERRORS: Descriptive and/or typographic errors are subject to correction.

BLODGETT OVEN COMPANY

42 Allen Martin Drive, Essex Junction, Vermont 05452 USA Telephone: (802) 658-6600 Fax: (802) 860-3732
www.blodgett.com

P/N 57920 Rev P

SERIAL NUMBER LOCATION / KEY:

IMPORTANT: When ordering parts, please provide the model, gas type and serial number of the oven. The rating plate is located behind the control panel. The oven serial number is located on the top of the right hand side of the oven.

SERIAL NUMBER IDENTIFICATION CODE:

CE - ZEPHAIRE-100-G-ES

CH - ZEPHAIRE-200-G-ES

SERIAL NUMBER EXAMPLES

010114CE001X

01/01/14 = DATE

CE = LETTER CODE FOR ZEPHAIRE

001 = FACTORY SEQUENCE

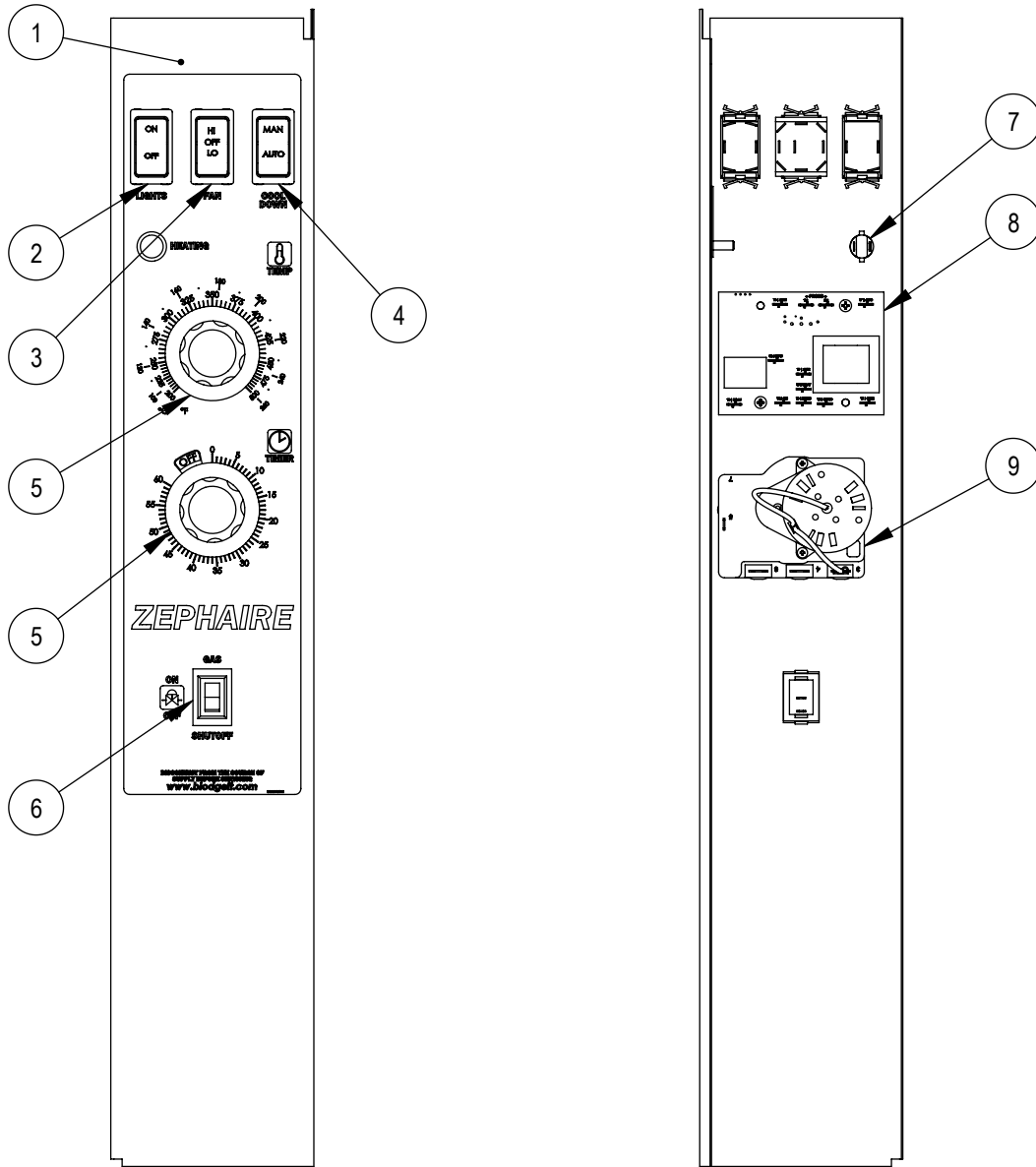
X = SECTION ID (T for top, B for bottom)

TABLE OF CONTENTS

◆ Doors Are Not Returnable

SSI-M, SOLID STATE INFINITE CONTROL W/MANUAL TIMER	4
SSI-D, SOLID STATE INFINITE CONTROL W/DIGITAL TIMER	5
SSD, SOLID STATE DIGITAL CONTROL.....	6
ZEPHAIRE-100-G-ES BURNER COMPONENTS	7
ZEPHAIRE-200-G-ES BURNER COMPONENTS	8
ELECTRICAL PANEL COMPONENTS	9
INTERIOR HEAT SYSTEM COMPONENTS.....	10
ZEPHAIRE-100-G-ES SHOWN	10
LOWER DOOR SUPPORT COMPONENTS.....	11
EXTERIOR COMPONENTS & DOORS	12
ZEPHAIRE-100-G-ES SHOWN	12
INTERIOR COMPONENTS.....	13
ZEPHAIRE-100-G-ES SHOWN	13
INTERIOR COMPONENTS.....	14
ZEPHAIRE-100-G-ES SHOWN	14
ACCESSORIES.....	

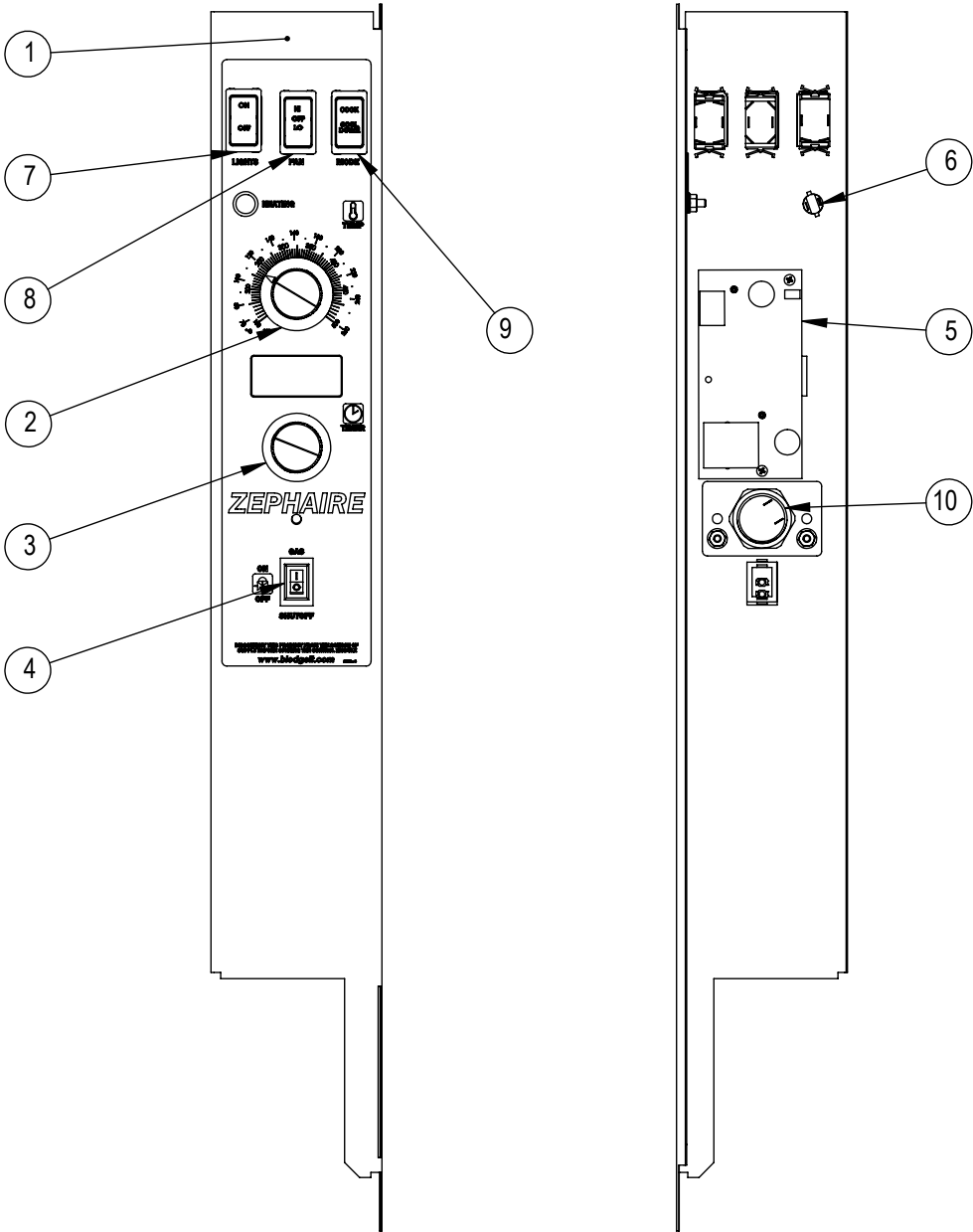
SSI-M, SOLID STATE INFINITE CONTROL W/MANUAL TIMER



Ref. No.	Part No.	Description
	57546	CONTROL MODULE, SSI-M, COMPLETE
1	57922	PANEL AND DECAL
2	6497	SWITCH, ROCKER, SPST
3	6503	SWITCH, ROCKER, 3PDT
4	57532	SWITCH, ROCKER, DPDT
5	16686	KNOB, W/POINTER
6	36376	SWITCH, GAS ON/OFF
7	18265	INDICATOR LIGHT

Ref. No.	Part No.	Description
8	57372	THERMOSTAT, 200-500, 350 TDC
8	56741	THERMOSTAT, 200-500, 350 TDC FOR GENERAL EXPORT
9	18225	TIMER, 60 MIN
9	20084	TIMER 60 MIN 200-250V 50 HZ, FOR GENERAL EXPORT 50 HZ ONLY.
9	18226	TIMER 60 MIN 240V 60 HZ, FOR GENERAL EXPORT 60 HZ ONLY.

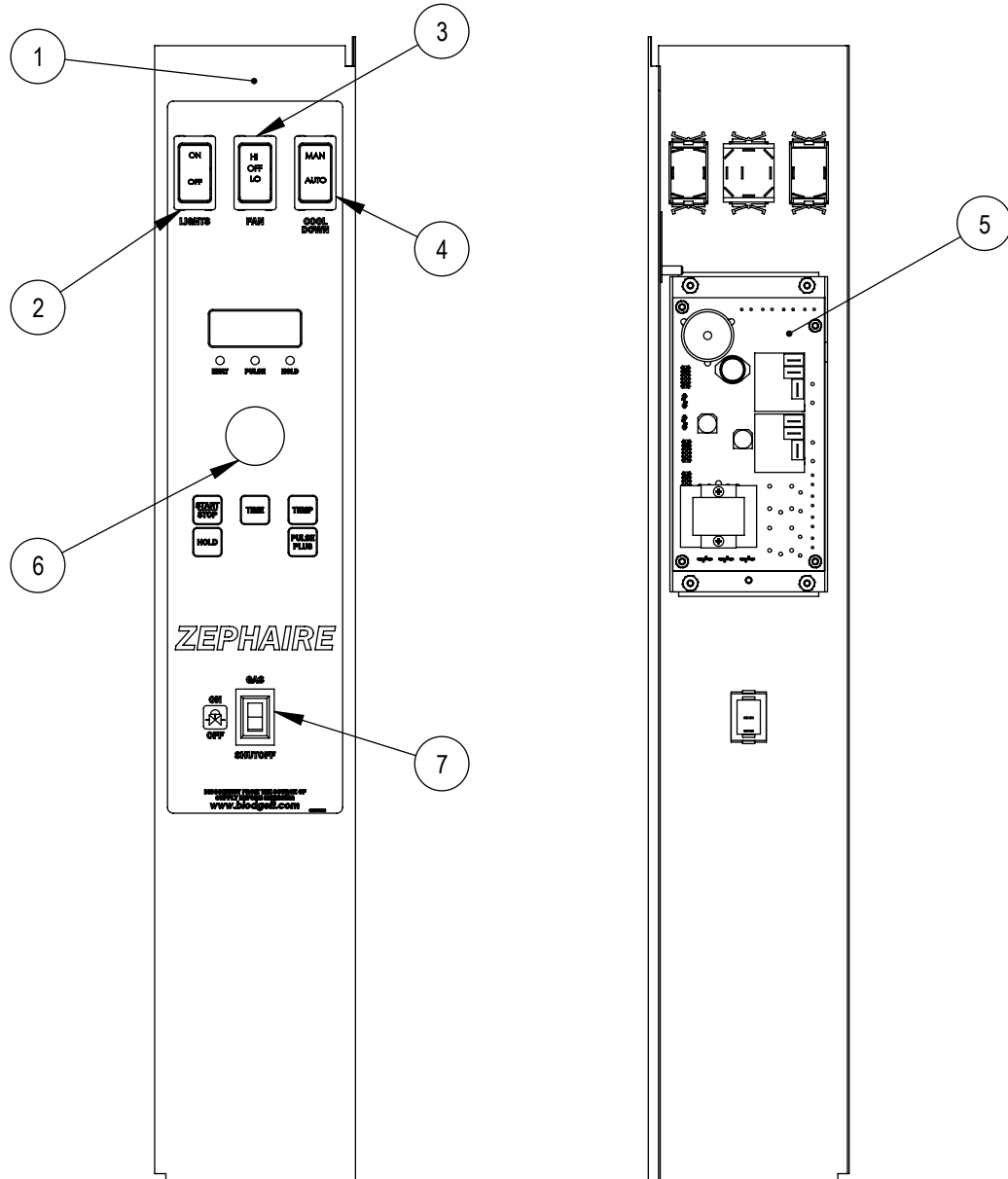
SSI-D, SOLID STATE INFINITE CONTROL W/DIGITAL TIMER



Ref. No.	Part No.	Description
	58622	CONTROL MODULE SSI-D COMPLETE
1	58673	PANEL AND DECAL
2	36616	KNOB, MILIARY STYLE
3	36617	KNOB, MILITARY STYLE W/O ARROW
4	36376	GAS ON/OFF SWITCH
5	57561	CONTROL, INFINITE W/DIGITAL TIMER, RTD

Ref. No.	Part No.	Description
6	18265	INDICATOR LIGHT
7	6497	SWITCH, ROCKER SPST, WHT
8	6503	SWITCH, ROCKER 3PDT
9	57532	SWITCH, ROCKER, DPDT C/CD
10	52668	BEEPER

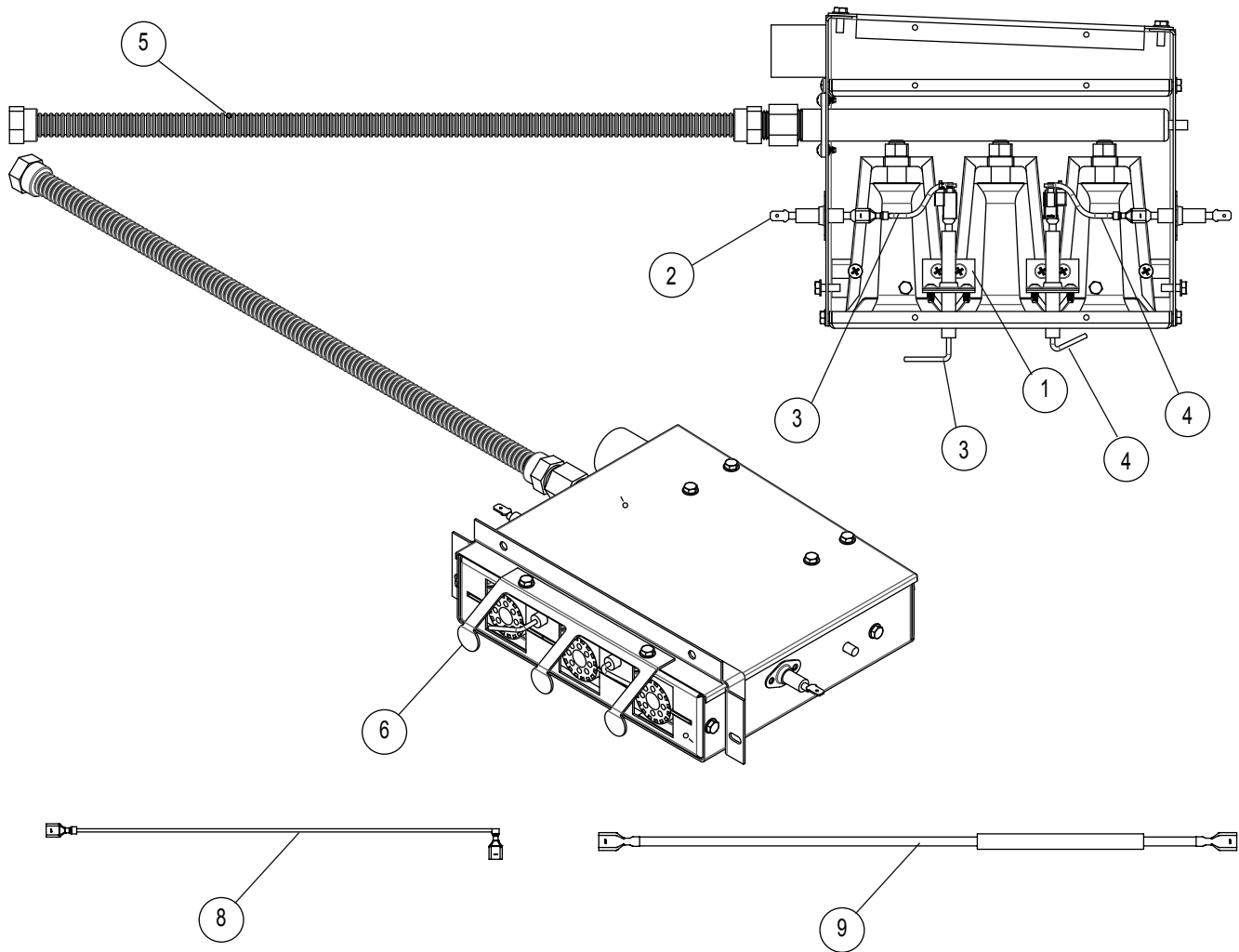
SSD, SOLID STATE DIGITAL CONTROL



Ref. No.	Part No.	Description
	57548	CONTROL MODULE, SSD, COMPLETE
1	57921	PANEL AND DECAL
2	6497	SWITCH, ROCKER, SPST
3	6503	SWITCH, ROCKER, 3PDT

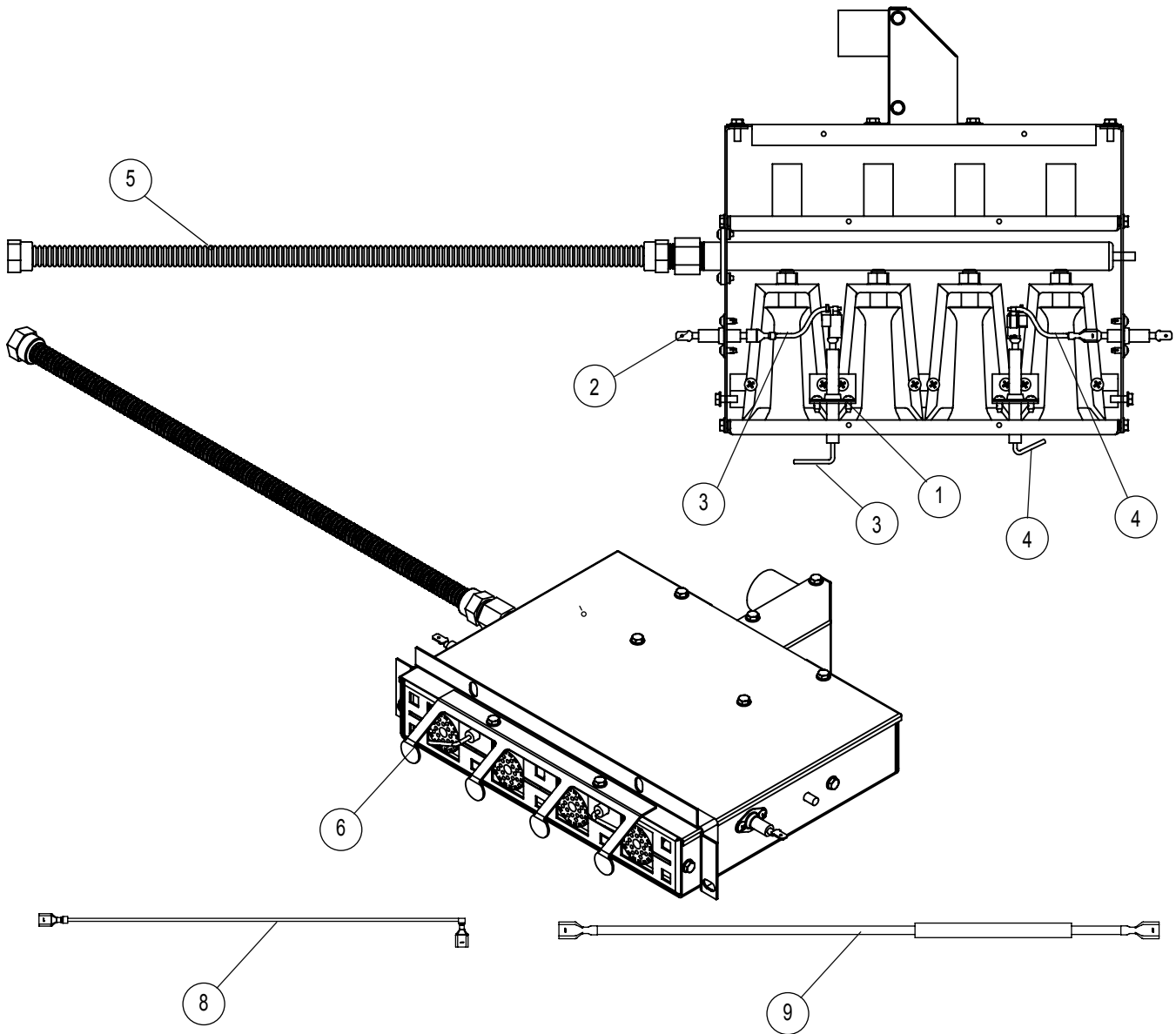
Ref. No.	Part No.	Description
4	57532	SWITCH, ROCKER, DPDT
5	58195	CONTROL, SSD
6	24685	KNOB, ROUND
7	36376	SWITCH, GAS ON/OFF

ZEPHAIRE-100-G-ES BURNER COMPONENTS



Ref. No.	Part No.	Description	Ref. No.	Part No.	Description
	54908	BURNER ASSY., NATURAL GAS	5	54935	FLEX HOSE
	55032	BURNER ASSY., LP GAS	6	54910	TURBULATOR
1	54911	ELECTRODE MOUNTING BRACKET		19677	FLAME SENSE WIRE, 36" WHITE
2	54327	BURNER WIRING CONNECTOR		58028	IGNITION WIRE
3	59254	ELECTRODE, FLAME SENSE		57841	CONVERSION KIT, NATURAL TO LP
4	59255	ELECTRODE, SPARK		58226	CONVERSION KIT, LP TO NATURAL

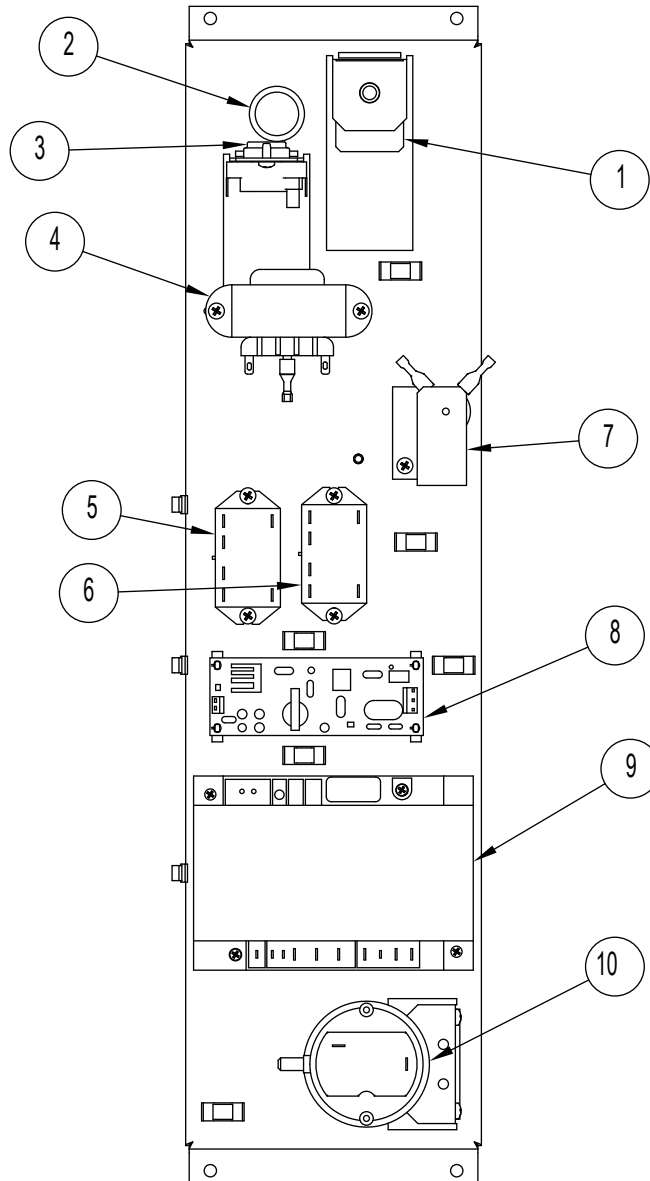
ZEPHAIRE-200-G-ES BURNER COMPONENTS



Ref. No.	Part No.	Description
	57804	BURNER ASSY., NATURAL GAS
	57898	BURNER ASSY., LP GAS
1	54911	ELECTRODE MOUNTING BRACKET
2	54327	BURNER WIRING CONNECTOR
3	59254	ELECTRODE, FLAME SENSE
4	59219	ELECTRODE, SPARK
5	54935	FLEX HOSE

Ref. No.	Part No.	Description
6	57782	TURBULATOR
7	54885	WIRE ASSY, 2.5" ORANGE 20 AWG
8	19677	FLAME SENSE WIRE, 36" WHITE
9	58028	IGNITION WIRE
	58203	CONVERSION KIT, NATURAL TO LP
	58204	CONVERSION KIT, LP TO NATURAL

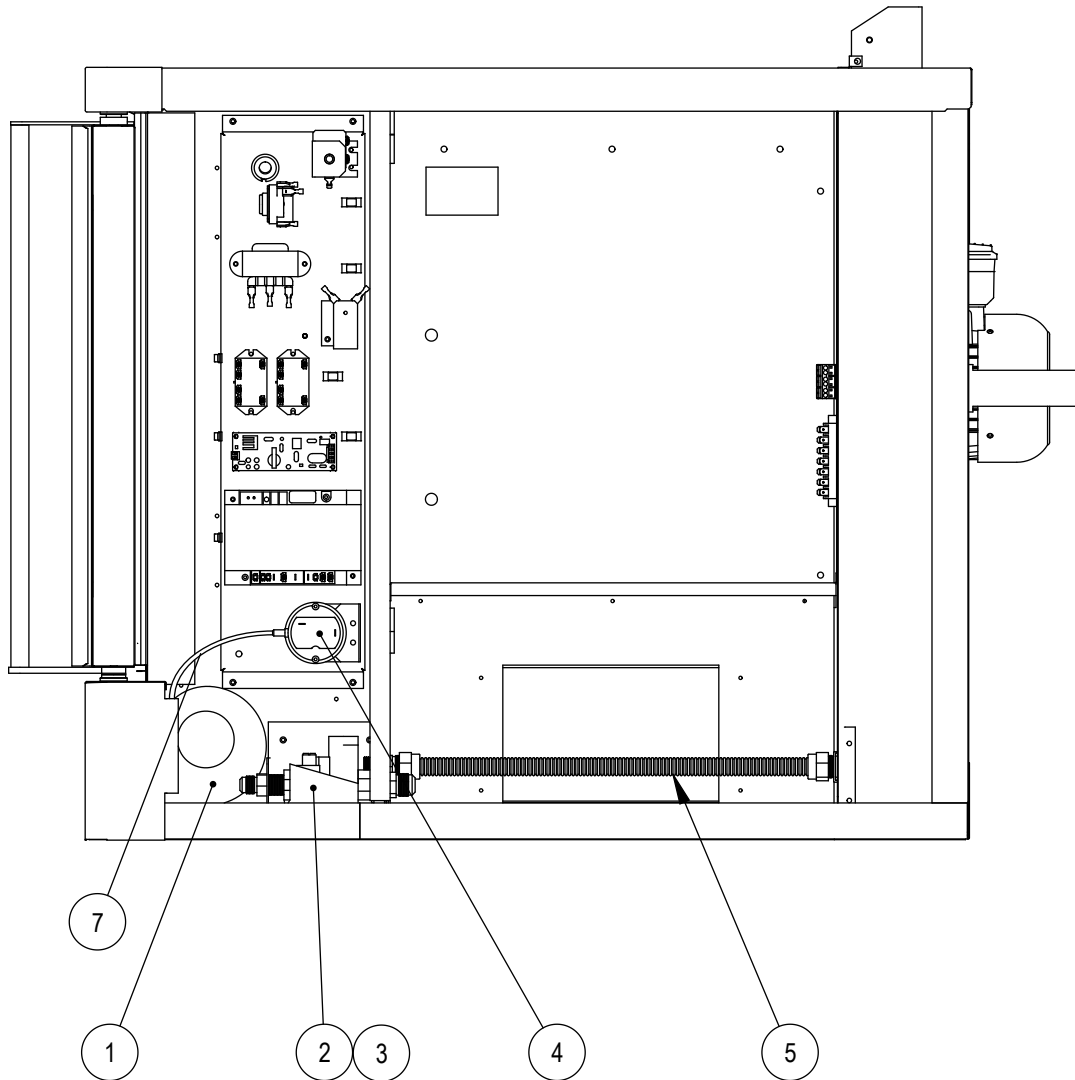
ELECTRICAL PANEL COMPONENTS



Ref. No.	Part No.	Description	Ref. No.	Part No.	Description
1	58025	THERMOSTAT, HI LIMIT	6	37058	RELAY, 24V., FOR STANDARD AND GENERAL EXPORT.
2	19087	GROMMET	6	59382	RELAY 24V, FOR CE OVENS ONLY.
3	36755	THERMAL SWITCH	7	20349	BUZZER, 120V., NOT ALWAYS USED WITH DIGITAL CONTROL OPTIONS.
4	20355	TRANSFORMER, 115 TO 24 V, 30VA	8	54607	POWER SUPPLY, 15W 12V
4	36700	TRANSFORMER 115/230V TO 24V 56VA. FOR CE AND GENERAL EXPORT ONLY.	9	54388	CONTROL, IGNITION
5	36603	RELAY, 120V	10	54802	PRESSURE SWITCH
5	59383	RELAY 240V, FOR CE OVENS ONLY.		M9705	TUBING, PRESSURE SWITCH (BY THE INCH)
5	31558	RELAY 208/240V, FOR GENERAL EXPORT OVENS ONLY.			

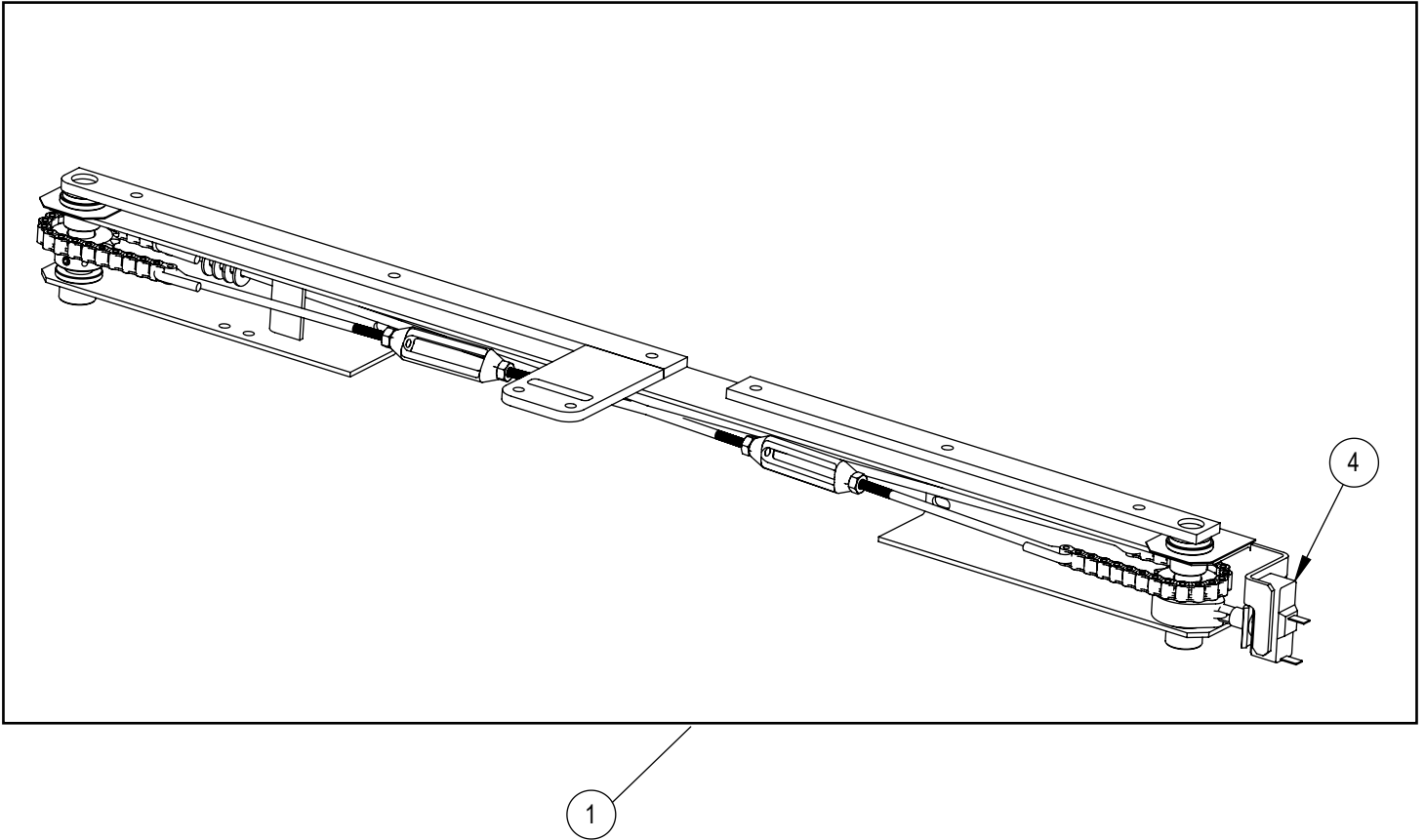
INTERIOR HEAT SYSTEM COMPONENTS

ZEPHAIRE-100-G-ES SHOWN



Ref. No.	Part No.	Description	Ref. No.	Part No.	Description
1	54897	BLOWER, 12V DC	5	55070	FLEX TUBE FOR ZEPHAIRE-100-G-ES
2	54938	GAS VALVE ASSY, NATURAL	5	36228	FLEX TUBE FOR ZEPHAIRE-200-G-ES
3	54939	GAS VALVE ASSY, LP		M9705	TUBING, PRESSURE SWITCH (BY THE INCH)
4	54802	PRESSURE SWITCH			

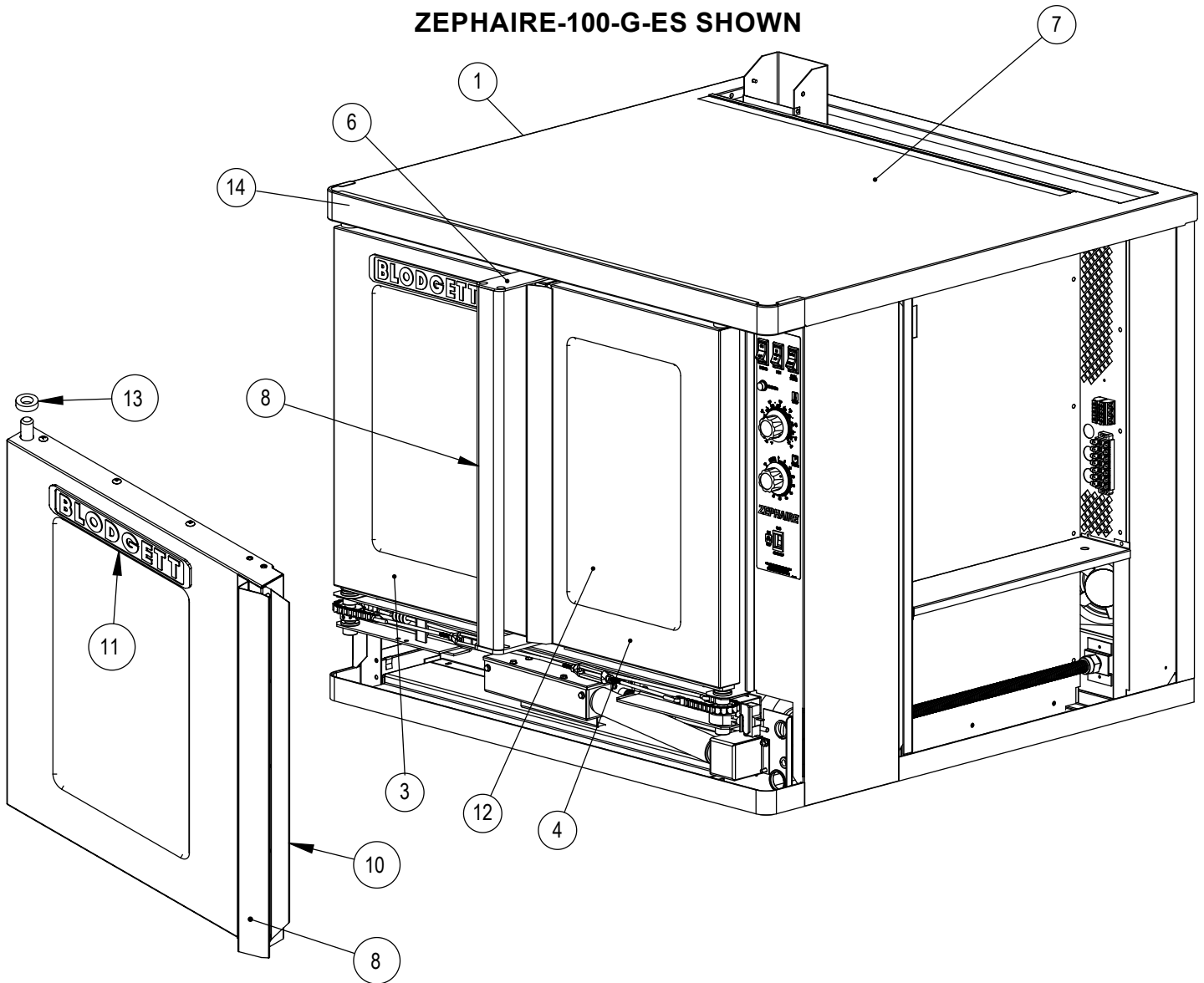
LOWER DOOR SUPPORT COMPONENTS



Ref. No.	Part No.	Description
1	36037	Lower Door Support Assy w/Switch
	NOTE:	Lower Door Support Assy includes the hinge pins, arms, chain & turnbuckles, sprocket assy, and cam assy.
2	35193	Microswitch

EXTERIOR COMPONENTS & DOORS

ZEPHAIRE-100-G-ES SHOWN



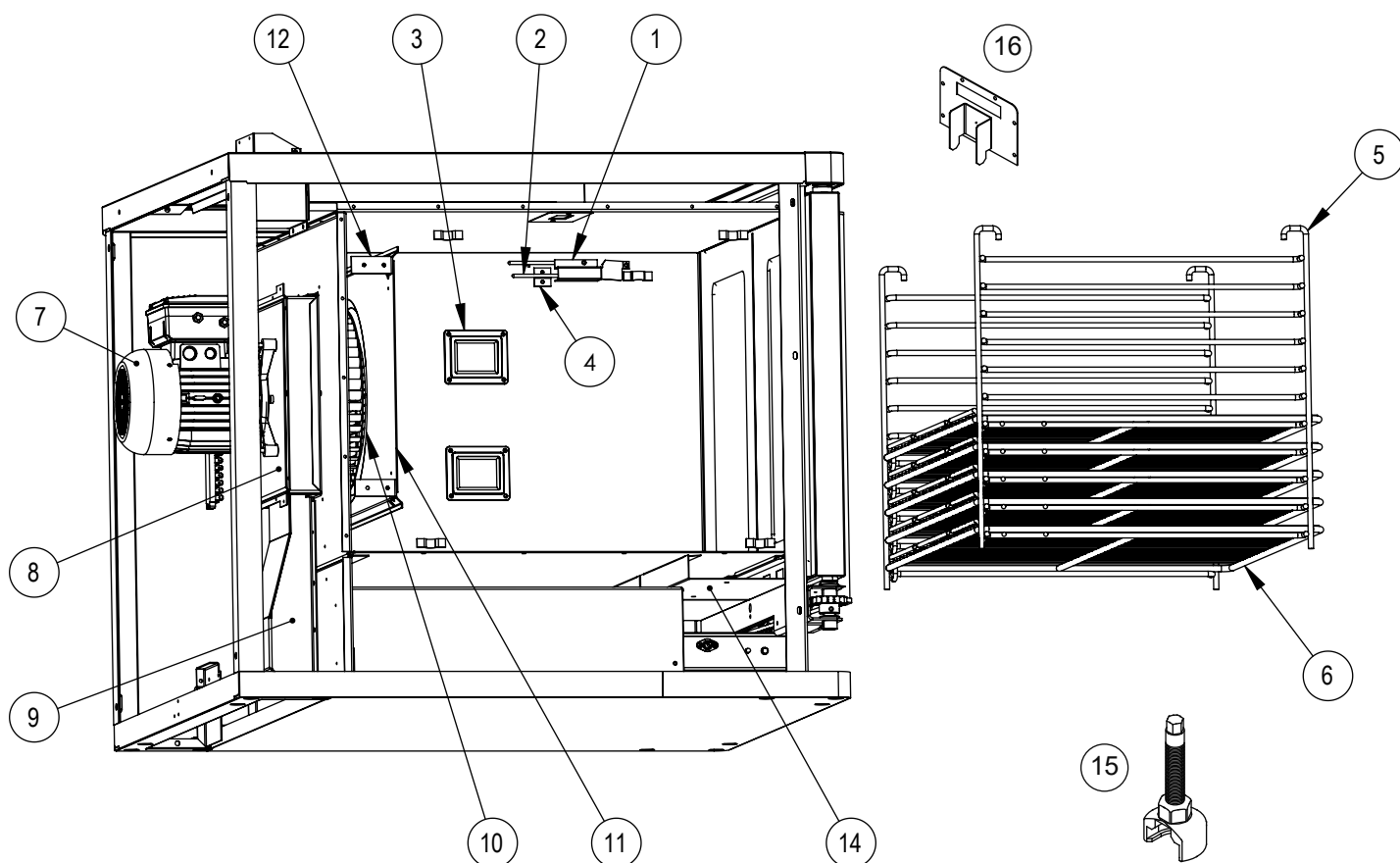
Ref. No.	Part No.	Description
1	37205	BODYSIDE, LH
2	36407	BODYSIDE, RH
3	20804	LEFT HAND GLASS DOOR
3	20806	LEFT HAND SOLID DOOR
4	20803	RIGHT HAND GLASS DOOR
4	20805	RIGHT HAND SOLID DOOR
5	37202	COMBUSTION COVER
6	18081	DOOR HANDLE TOP PLATE
7*	36621	BODYTOP, ZEPHAIRE-100-G-ES
	38981	BODYTOP, ZEPHAIRE-200-G-ES
8	17558	DOOR HANDLE WITH HARDWARE
9	36606	PRESSURE LOCK (ATTACHES TO SIDE OF DOOR)

Ref. No.	Part No.	Description
10	17311	CENTER DOOR TRIM
11	16470	NAMEPLATE
12	9036	WINDOW ASSEMBLY, DROP IN (10-1/8 X 17-1/8)
	9035	WINDOW TOOL FOR INSTALLATION AND REMOVAL OF GLASS
	90004	BRONZE DOOR BEARINGS, SET OF 2
13	16657	BUSHING, DOOR SLEEVE, UPPER
	36876	PERIMETER DOOR GASKET
14*	59657	FRONT TRIM KIT, BODYTOP

NOTE* FOR OVENS PRE-DATING 03/10/2017
ITEMS 7 & 14 MUST BE REPLACED/PURCHASED TOGETHER.

INTERIOR COMPONENTS

ZEPHAIRE-100-G-ES SHOWN

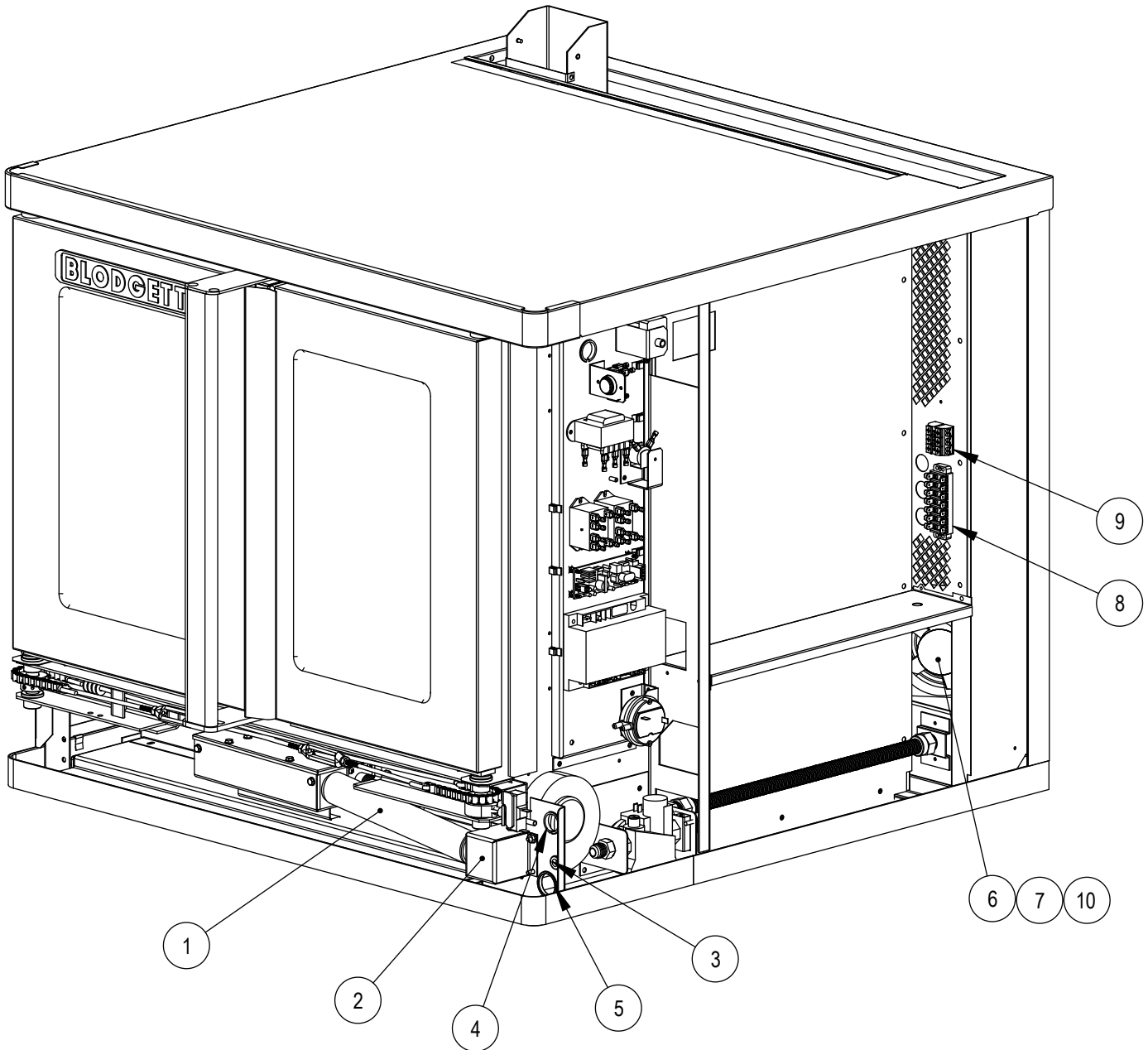


Ref. No.	Part No.	Description
1	38673	TEMPERATURE PROBE GUARD
2	56873	PROBE, 1K RTD
3	55607	LIGHT, HALOGEN, 40W 120V
4	33088	PROBE CLIP
5	19081	RACK SUPPORT KIT (SET OF 2) ZEPHAIRE-100-G-ES
	21422	RACK SUPPORT KIT (SET OF 2) ZEPHAIRE-200-G-ES
6	18768	OVEN RACKS QTY 5 PER OVEN ZEPHAIRE-100-G-ES
	20246	OVEN RACKS QTY 5 PER OVEN ZEPHAIRE-200-G-ES
7	56966	MOTOR, 3/4 HP
8	53771	MOTOR PANEL MOUNT, ZEPHAIRE- 100-G-ES
	57770	MOTOR PANEL MOUNT, ZEPHAIRE- 200-G-ES

Ref. No.	Part No.	Description
16	53793	HEAT COLLECTOR ASSY, ZEPHAIRE- 100-G-ES
16	58020	HEAT COLLECTOR ASSY, ZEPHAIRE- 200-G-ES
9	53817	BURNER BOX BACK, ZEPHAIRE-100- G-ES
9	55888	BURNER BOX BACK, ZEPHAIRE-200- G-ES
10	55346	BLOWER WHEEL
11	51673	OVEN CAVITY BAFFLE
12	8646	BAFFLE SUPPORT KIT (SET OF 4)
14	55213	INSULATION RETAINER, LINER BOTTOM ZEPHAIRE-100-G-ES
	57766	INSULATION RETAINER, LINER BOTTOM ZEPHAIRE-200-G-ES
15	33147	WHEEL PULLER, USED TO REMOVE BLOWER WHEEL

INTERIOR COMPONENTS

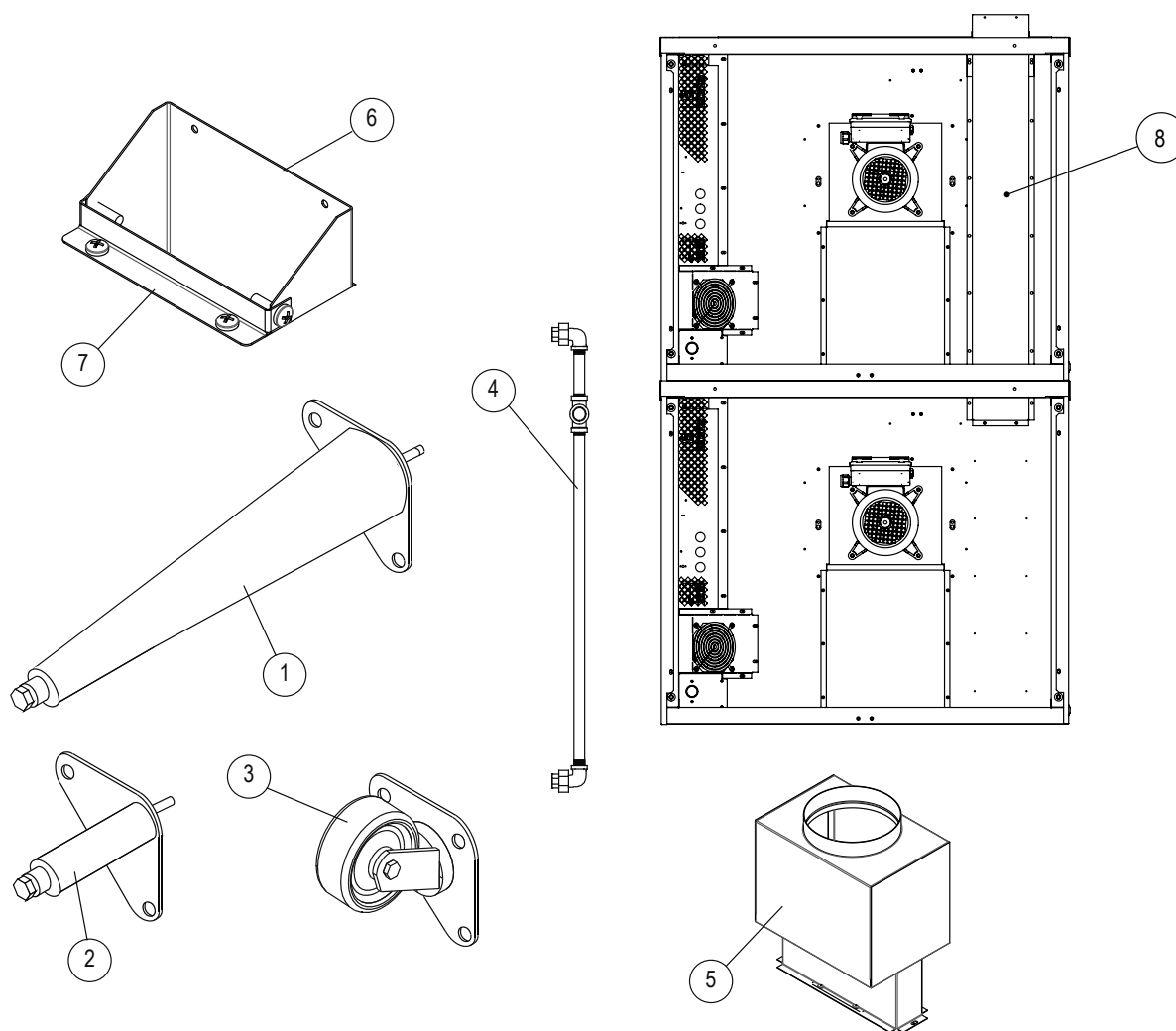
ZEPHAIRE-100-G-ES SHOWN



<u>Ref. No.</u>	<u>Part No.</u>	<u>Description</u>
1	39989	AIR TUBE (BY THE INCH)
2	54896	AIR BOX ASSEMBLY
3	19086	GROMMET, .375" I.D.
4	19087	GROMMET, .875" I.D.
5	55597	GROMMET, 1.125" I.D.
6	22301	COOLING FAN

<u>Ref. No.</u>	<u>Part No.</u>	<u>Description</u>
7	39100	FAN HOUSING
8	39108	7 POSITION TERMINAL BLOCK
9	38605	3 POSITION TERMINAL BLOCK W/ GROUND
10	M0571	FAN GUARD

ACCESSORIES



Ref. No.	Part No.	Description
	33196	SEISMIC LEGS, 6" SET OF 4
1	8598	LEGS, 25" W/FEET SET OF 4
2	8600	LEGS, 6" SET OF 4
	16002	CASTERS, FOR SGL OVEN
3	5779	CASTERS, PLATE, FOR DBL OVEN
	19528	CASTERS, LOW PROFILE, FOR DBL OVEN
4	35048	BACKPIPE, DBL
5	58012	DRAFT HOOD ASSY
6	57622	FLUE BOX, ZEPHAIRE-100-G-ES
	57238	FLUE BOX, ZEPHAIRE-200-G-ES
7	57646	FLUE BOX GUARD
8	57940	VENTING/STACKING KIT FOR DOUBLE STACK OVENS, ZEPHAIRE-100-G-ES
	58196	VENTING/STACKING KIT FOR DOUBLE STACK OVENS, ZEPHAIRE-200-G-ES
	58013	VENTING KIT FOR SINGLE OVENS,

Ref. No.	Part No.	Description
		ZEPHAIRE-100-G-ES
	58197	VENTING KIT FOR SINGLE OVENS, ZEPHAIRE-200-G-ES
	58338	STACKING KIT, ZEPHAIRE-100-G-ES ON DFG-100, ZEPHAIRE-240G, ZEPHAIRE-100G OR SHO-100G
	58339	STACKING KIT, ZEPHAIRE-100-G-ES ON DFG-200, ZEPHAIRE-G OR ZEPHAIRE-200G
	58340	STACKING KIT, ZEPHAIRE-200-G-ES ON DFG-100, ZEPHAIRE-240G, ZEPHAIRE-100G OR SHO-100G
	58341	STACKING KIT, ZEPHAIRE-200-G-ES ON DFG-200, ZEPHAIRE-G OR ZEPHAIRE-200G