



**DUNKIN'
DONUTS**

**1048DD SERIES
GAS DECK OVEN
REPLACEMENT PARTS LIST**

JULY 11, 2011

BLODGETT OVEN COMPANY, 44 Lakeside Avenue, Burlington, Vermont 05401 USA

Telephone: (802) 658-6600 Fax: (802) 860-3732

www.blodgett.com

P/N 54118

Superseding All Previous Parts Lists.

The Company reserves the right to make substitution in the event that items specified are not available.

ERRORS: Descriptive and/or typographic errors are subject to correction.

www.blodgett.com

1048DD

IMPORTANT: When ordering parts, please provide the model, gas type and serial number of the oven. The identification plate is located on the inside of the burner compartment door on the

- ASAP Distributor Required Stocking Parts
- ◆ Doors Are Not Returnable
- * Item Is Too Large For UPS

BURNER & PIPING ASSEMBLY

| Ref. No. | Part No. | Description |
|----------|----------|--|
| | 33900 | Steel Tube Burners (Set of 2) |
| | 16361 | Air Shutter Only |
| | 3001 | Locknut for Air Shutter |
| | 18419 | Manifold Assy. |
| | 8717 | Orifice, Main Burner (Set of 2) (Specify Model & Gas Type) |
| | 19964 | Manifold Tube w/ Fittings |
| | R4435 | Manual Gas Valve |

BURNER COMPARTMENT COMPONENTS

| Ref. No. | Part No. | Description |
|----------|----------|-------------------------------|
| | 33135 | Hot Surface Ignitor & Bracket |
| | 33133 | Flame Sensing Kit |

BAKING COMPARTMENT

| Ref. No. | Part No. | Description |
|----------|----------|--|
| * | 24664 | Ultra Rokite Deck Assy. (1-1/2" x 24" x 36") (2 Piece) |

STEAM GENERATOR COMPONENTS

| Ref. No. | Part No. | Description |
|----------|---|----------------------------|
| | 33136 | Cord Set, NEMA-15-50P |
| | 15183 | Strain Relief |
| | 33265 | Site Glass, Generator |
| | <input checked="" type="checkbox"/> 33266 | Pressure Control Generator |
| 29 | 32893 | Solenoid, Steam |
| 20 | 33264 | Steam Trap |

ELECTRICAL COMPONENTS

| Ref. No. | Part No. | Description |
|----------|----------|--------------------------------------|
| 19 | 21134 | Axial Fan , 115V, 3" (Qty 3) |
| | 32863 | Probe, Upper |
| | 32901 | Probe, Deck |
| 3 | 4888 | Lug, Grounding |
| 4 | 3574 | Terminal Block 65A, 600V |
| 5 | 31274 | Transformer, 120V/240V |
| 6 | 19619 | Rocker Switch, DPST |
| 7 | 32889 | Control, Solid State Digital w/Steam |
| 8 | 30851 | Control, Hot Surface Ignitor |
| | 34749 | Phase II, Retrofit Kit |

DOOR COMPONENTS

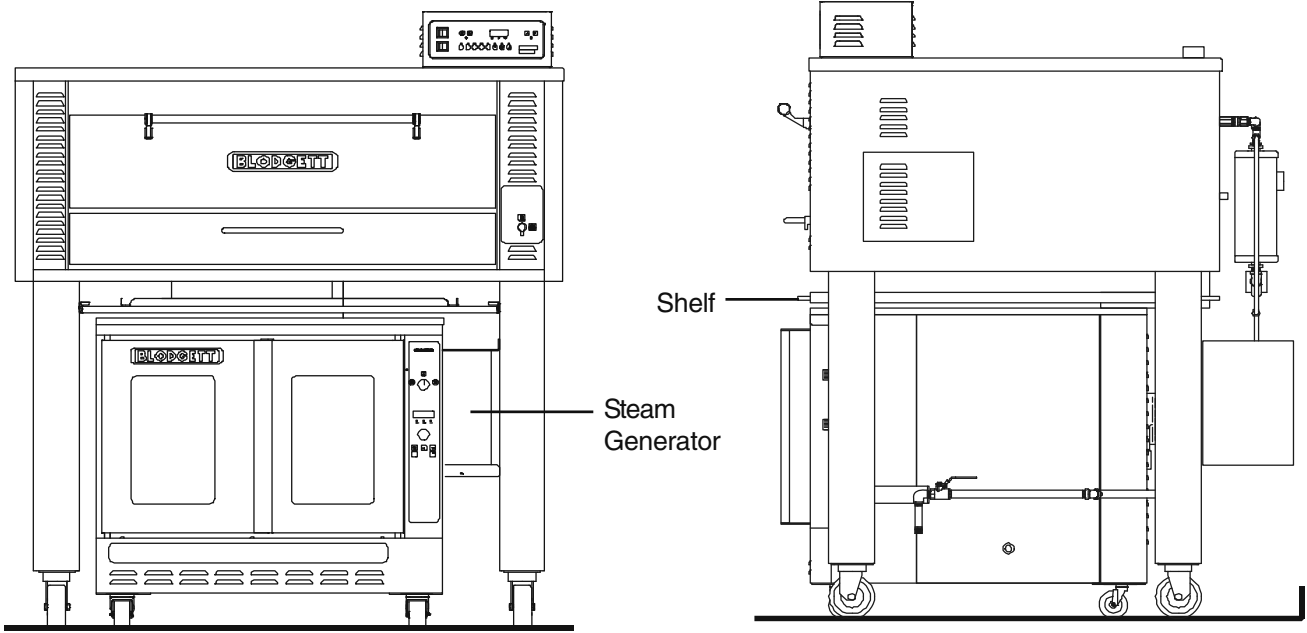
| Ref. No. | Part No. | Description |
|----------|----------|-----------------------|
| | 5878 | Spirol Pin |
| | 32796 | Holder Assy, Spring |
| | 19780 | Spring 6-1/2" |
| | 17623 | Bearing, Cylindrical |
| | 17624 | Bearing, Flanged Door |

EXTERIOR COMPONENTS

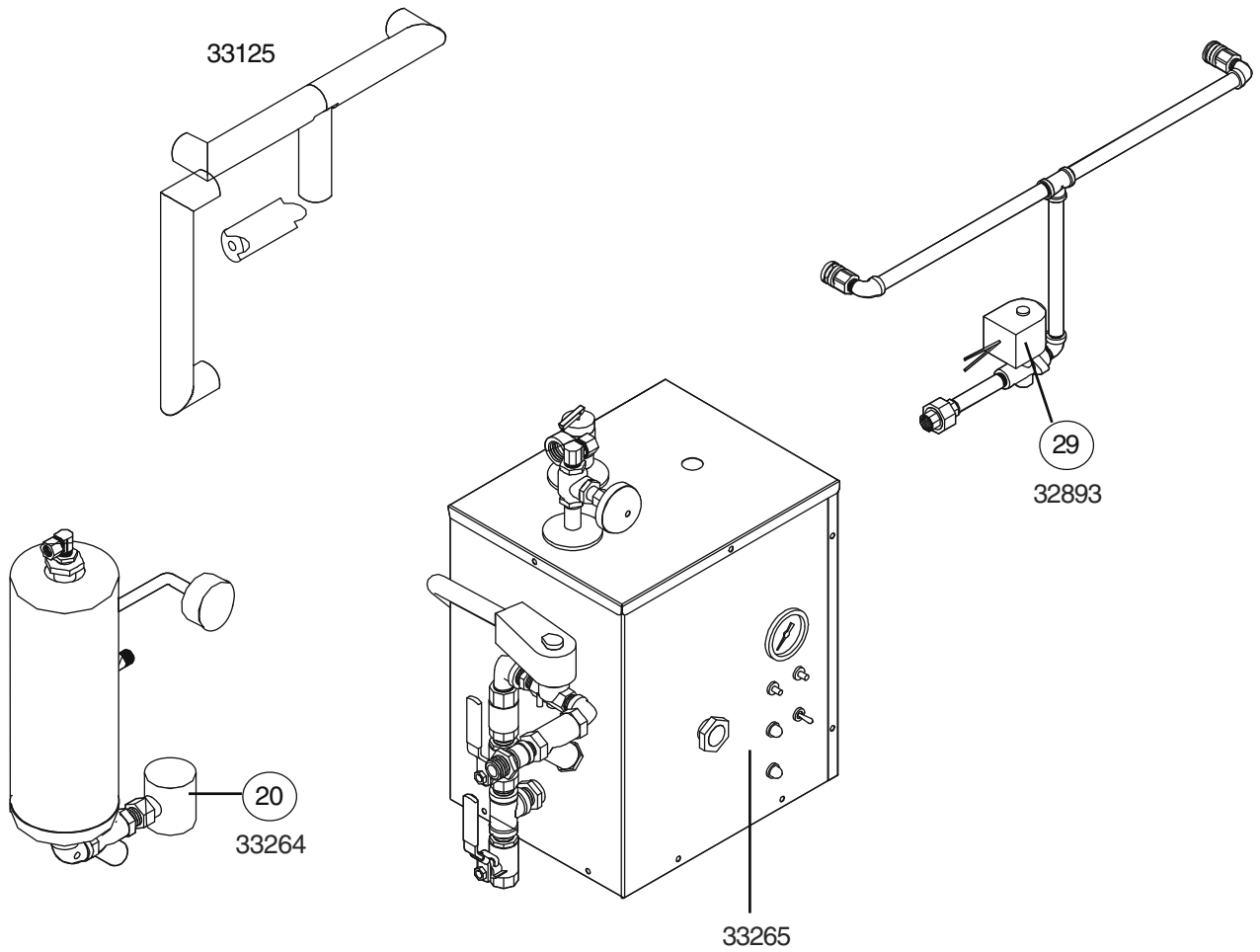
| Ref. No. | Part No. | Description |
|----------|----------|---|
| | 7840 | Draft Diverter, Canopy Venting, S/S |
| | 7839 | Draft Hood, Direct Venting, S/S (6" Diameter) |
| | 21242 | Gas Connector Kit, 48" |
| | 11255 | Nameplate, Blodgett 12-3/4" |
| | 33125 | Insulation Kit, Steam Pipe |

The Following Parts Are For Stacking on DFG100 ONLY

| | |
|-------|---------------------------------|
| 19528 | Casters, Low Profile (Set of 4) |
| 33022 | Flue Connector, DFG100 |



STEAM GENERATOR AND PIPING



CONTROL BOX ASSEMBLY

