

BLODGETT® **BLODGETT**® **BLODGETT**® **BLODGETT**®

BLODGETT® **BLODGETT**® **BLODGETT**®

BLODGETT® **BLODGETT**® **BLODGETT**® **BLODGETT**®

BLODGETT®

1415
ELECTRIC COMPACT DECK OVEN
INSTALLATION - OPERATION - MAINTENANCE



BLODGETT OVEN COMPANY

www.blodgett.com

42 Allen Martin Drive, Essex Junction, VT 05452 USA Telephone: (802) 658-6600 Fax: (802)864-0183

PN 23326 Rev L (11/17)

© 2017 - G.S. Blodgett Corporation

Your Service Agency's Address:

Model

Serial number

Oven installed by

Installation checked by

IMPORTANT

WARNING: Improper installation, adjustment, alternation, service or maintenance can cause property damage, injury or death. Read the installation, operation and maintenance instructions thoroughly before installing or servicing this equipment.

FOR YOUR SAFETY

Do not store or use gasoline or other flammable vapors or liquids in the vicinity of this or any other appliance.

The information contained in this manual is important for the proper installation, use, and maintenance of this oven. Adherence to these procedures and instructions will result in satisfactory baking results and long, trouble free service. Please read this manual carefully and retain it for future reference.

ERRORS: Descriptive, typographic or pictorial errors are subject to correction. Specifications are subject to change without notice.

TABLE OF CONTENTS

INSTALLATION

Oven Description and Specifications	2
Delivery and Location	3
Electrical Connection	4
Oven Assembly	5
Packaging	5
Leg Attachment	5
Stand Assembly	6
Double Stacking	6
Deck Installation	7
Leveling the Oven	7

OPERATION

Oven Control	8
--------------------	---

MAINTENANCE

Cleaning and Preventative Maintenance	9
Troubleshooting Guide	11



Installation

Oven Description and Specifications

Blodgett Deck ovens have set industry wide standards of excellence for baking characteristics, performance and reliability. They remain unsurpassed for product quality.

Simplicity of design and quality construction throughout assure years of trouble free service when the equipment is properly installed and maintained.

ELECTRICAL RATINGS- 1415						
VOLTAGE	KW/SECTION	PHASE	MAX LOAD (AMPS)			ELECTRICAL CONNECTION AWG*
			L1	L2	L3	
60 HZ						
208	3.75	1	18	0	18	12
208	3.75	3	11	11	11	14
220-240	3.75	1	17	0	17	12
220-240	3.75	3	10	10	10	14
50 HZ						
220-240	3.75	1	17	—	17	Size per local codes

NOTE: Double units can have phase loads partially equalized by matching lines during hook-up. Otherwise, load ratings are double the above data.

Delivery and Location

DELIVERY AND INSPECTION

All Blodgett ovens are shipped in containers to prevent damage. Upon delivery of your new oven:

- Inspect the shipping container for external damage. Any evidence of damage should be noted on the delivery receipt which must be signed by the driver.
- Uncrate the oven and check for internal damage. Carriers will accept claims for concealed damage if notified within fifteen days of delivery and the shipping container is retained for inspection.

The Blodgett Oven Company cannot assume responsibility for loss or damage suffered in transit. The carrier assumed full responsibility for delivery in good order when the shipment was accepted. We are, however, prepared to assist you if filing a claim is necessary.

OVEN LOCATION

The well planned and proper placement of your oven will result in long term operator convenience and satisfactory performance.

Be sure to place the oven in an area which is accessible for proper operation and servicing.

It is essential that ventilation air not be obstructed in any way if proper operation is to be assured. A minimum of two inches (5 cm) must be maintained between both the sides and the rear of the unit and any wall.



Installation

Electrical Connection

Ovens are supplied for operation on 208 volt or 220-240 volt installation. The thermostat, indicator light and related switches are interconnected through one power source supplied to the oven.

Before making any connection to this oven, check the rating plate attached to the bodyback to assure that the voltage, phase and KW rating are compatible with the electrical supply. See diagram.

All ovens, when installed, must be connected and electrically grounded in accordance with local codes, or in the absence of local codes, with the National Electrical Code, ANSI/NFPA 70-Latest Edition and/or Canadian Electric Code CSA C22.1 as applicable.

Wiring diagrams are located on the bodyback.

The supply conduit enters through the rear of the oven and electrical connection is made to the terminal block secured to the panel at the back of the control compartment. Electrical connection sizes for a double 1400 oven are shown in "Electrical Connection AWG" column of the Electrical Specifications found on page 2 of this manual. Wiring is sized for 75_C copper wire at 125% of rated input. Reference is from the National Electric Code ANSI/NFPA 70- Latest Edition.

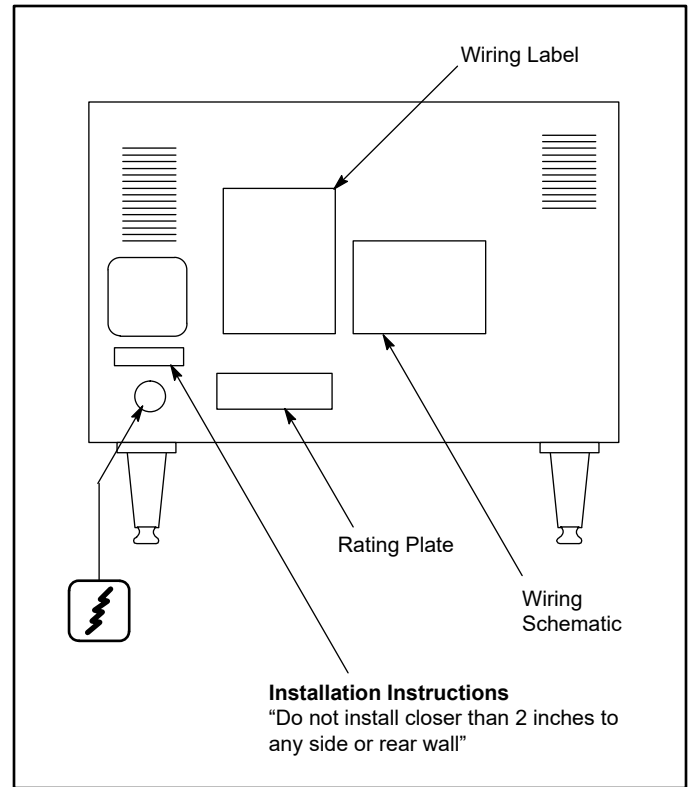


Figure 1

Oven Assembly

PACKAGING

Before assembly and installation of the oven, check that all components have been received. In addition to the oven, legs, decks and/or other accessories may be required.

Single Sections

- 4" (10 cm) legs are shipped inside the oven, packed in a separate carton.
- The decks are individually packaged and secured to the oven back.

Double Sections

- 4" (10 cm) legs are packed in lower sections.
- Spacer is shipped attached to the upper section.
- Securing plate to attach units together is located in the upper section.
- The decks are packaged with each section.

LEG ATTACHMENT

1. Tip bottom oven section backward.
2. Attach each of the four legs into the nuts secured in the oven bottom.
3. Tighten each leg and adjust the leg feet to approximately the same height.

NOTE: Final leg fet adjustment will be required during the leveling operation.

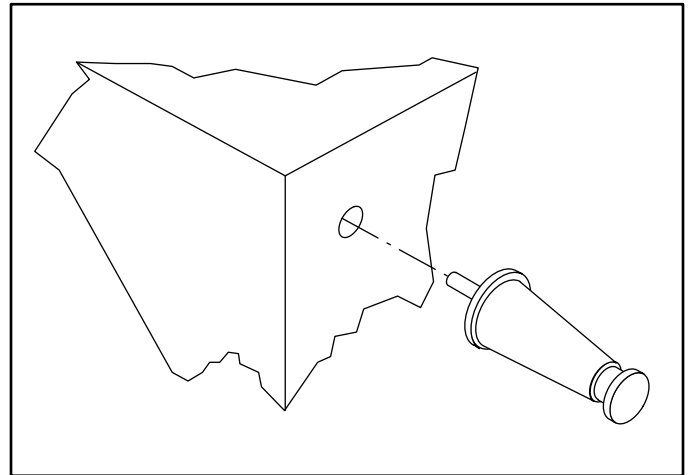


Figure 2



Installation

Oven Assembly

STAND ASSEMBLY

1. Attach legs to stand frame. Secure with 5/16-18 nuts and lockwashers (4 per leg). DO NOT TIGHTEN.
2. Place shelf on legs. Holes in legs should align with holes in shelf corner brackets. Legs should be loose enough to assist in this alignment. Place 1/4-20 x 2-1/4" bolts through legs and into shelf brackets. Bolts should fit radius of legs. Install 1/4-20 nuts after all four corners are in place. Tighten four nuts. Do not over tighten these nuts, deformity of leg surface can occur.
3. Tighten the sixteen 5/16-18 nuts installed in Step 1. DO NOT over tighten.
4. Optional Caster Assembly - Secure caster by tightening with a wrench. Prior to placing oven section on stand, check that locking casters are on front of stand assembly.
5. Center oven on stand assembly.

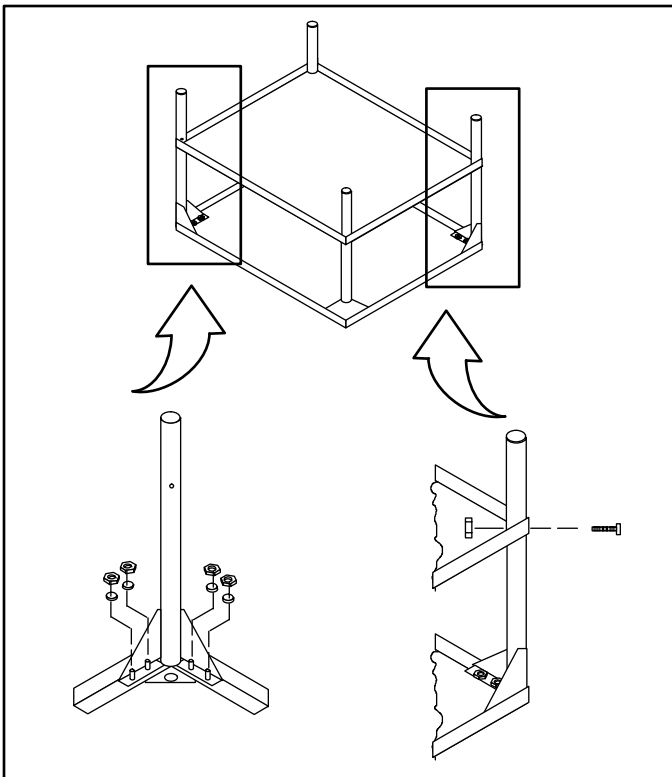


Figure 3

DOUBLE STACKING

1. Connect the spacer assembly to the bottom of the upper unit using 4 hex bolts.
2. Align and secure the spacer connecting plate to the lower unit using 4 sheet metal screws.
NOTE: First remove the 4 sheet metal screws along the top edge of the lower unit panel.
3. Stack the upper unit on top of the lower unit.
4. Align and secure the spacer connecting to the spacer assembly using 4 sheet metal screws.

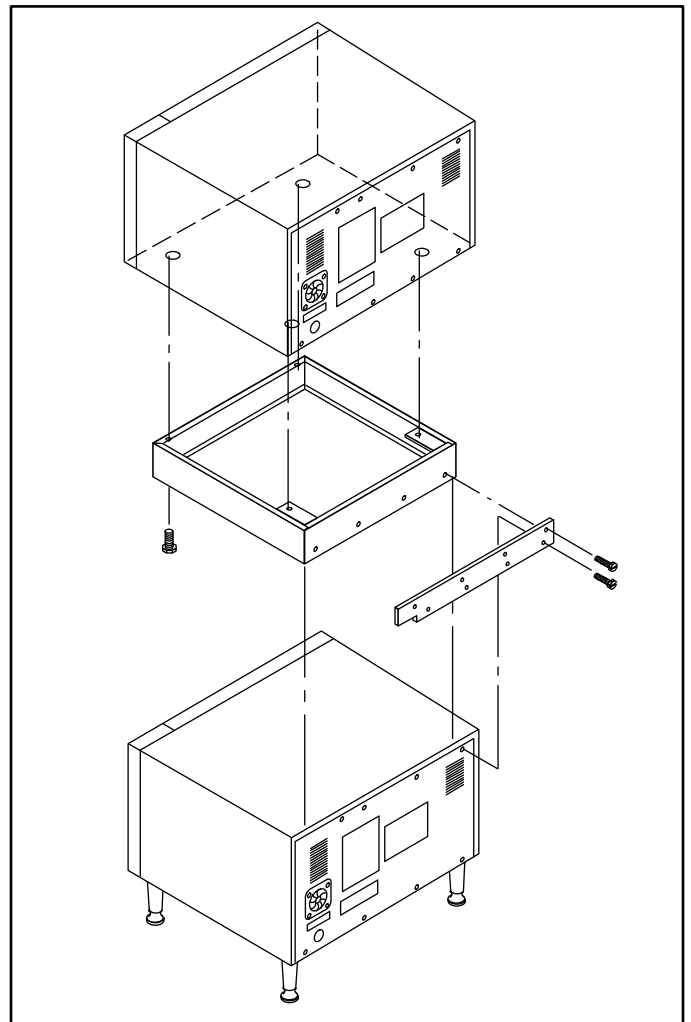


Figure 4

Oven Assembly

DECK INSTALLATION

1. Remove the decks from the carton package.
NOTE: Handle cordierite shelves carefully to avoid damage.
2. Open the oven door and remove the center element assembly. The assembly is removed by pulling forward and unplugging.
3. Install one of the decks in the bottom position. The deck should rest on the angles above the element and should be positioned in contact with the linerback.
4. Install the other deck in the center element assembly on a flat surface. Reinstall the center deck and element assembly in the oven. The assembly is supported on four angle supports.

LEVELING THE OVEN

1415 ovens are equipped with NSF listed adjustable sanitary legs.

1. Level the oven side to side and front to back by placing a spirit level on the base frame of the lower section.
2. Adjust the leg feet in or out as necessary.

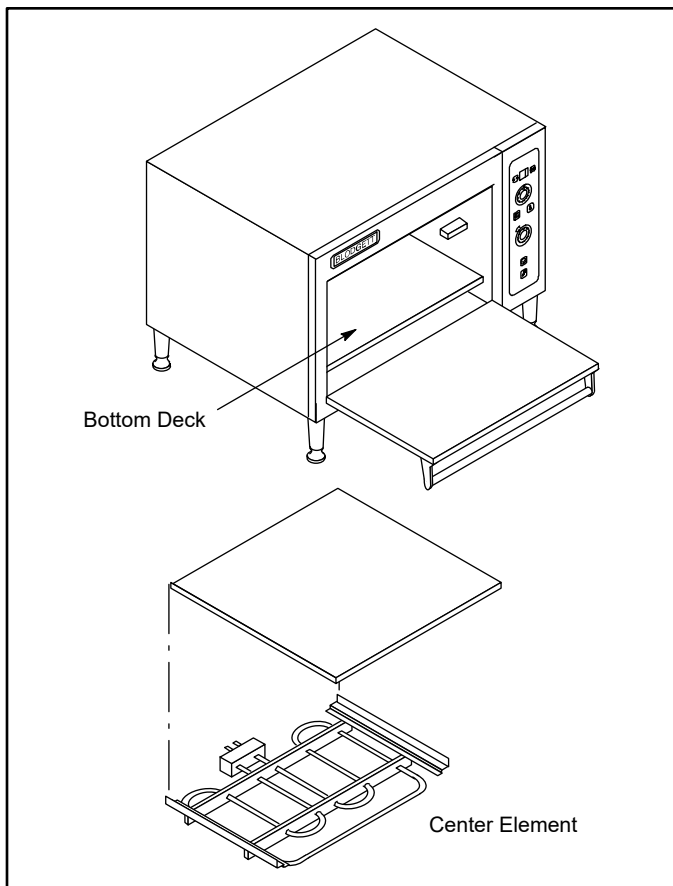
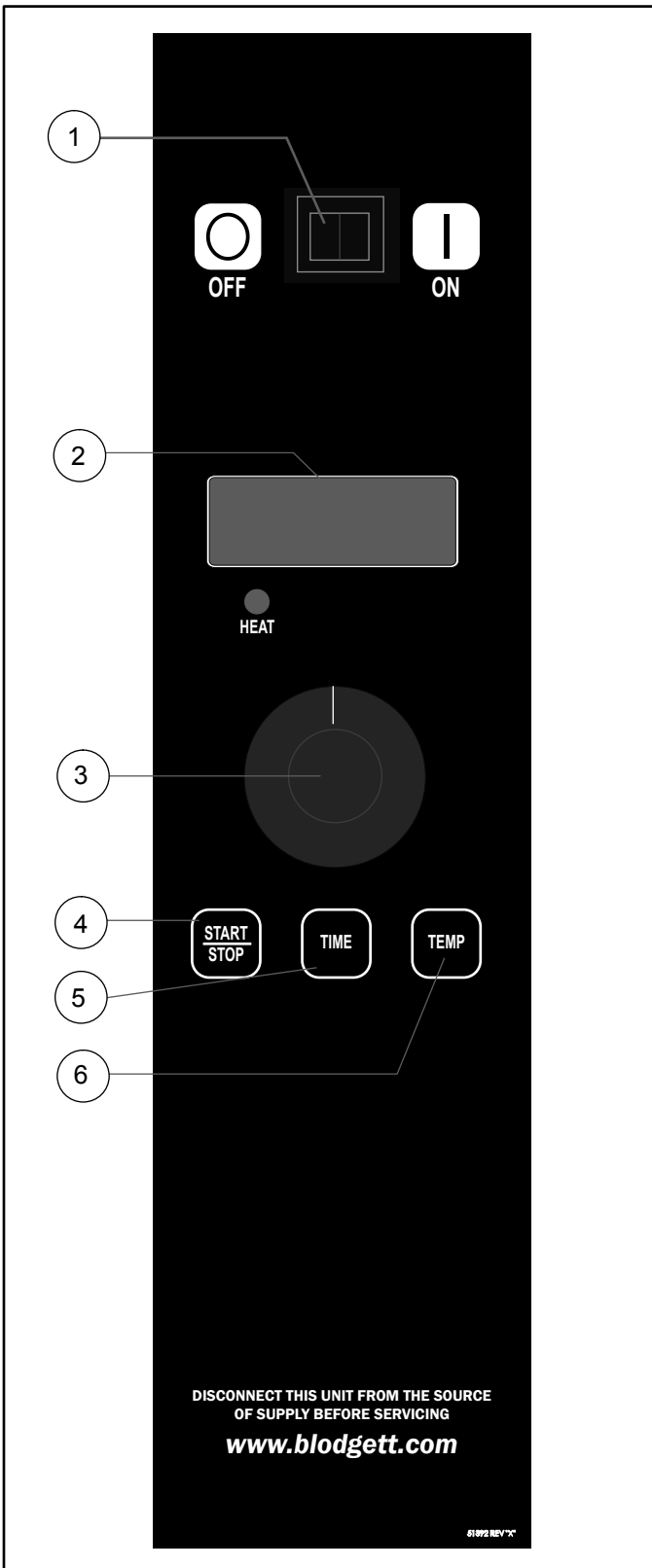


Figure 5



Operation

Oven Control



COMPONENT DESCRIPTION

1. POWER SWITCH - Controls the power to the oven.
2. DIGITAL DISPLAY - Displays the time, temperature and controller related information.
3. DIAL - Turn to set the cook time and temperature.
4. START/STOP KEY - Press to start and stop the timing cycle.
5. TIME KEY - Press to enter the cook time.
6. TEMP KEY - Press to enter the cook temperature.

OPERATION

1. Toggle the POWER SWITCH (1) to OVEN ON.
2. Press the TEMP KEY (6) and turn the DIAL (3) to select the desired cook temperature.
3. When the display reads LOAD, press the TIME KEY (5) and turn the DIAL (3) to select the desired cook time.
4. Load product into the oven.
5. Press START/STOP KEY (4). The timer counts down the set time. Upon completion of the set time, the buzzer sounds and the display reads DONE.
6. Press the START/STOP KEY (4) to silence the buzzer.
7. To shut the oven off, toggle the POWER SWITCH (1) to OFF.

Figure 6



Cleaning and Preventative Maintenance

EXTERIOR SURFACE CLEANING

Stainless steel surface may be kept clean and in good condition with mineral oil:

1. Allow the oven to cool.
2. Saturate a cloth with mineral oil and wipe the oven.
3. Wipe dry with a clean cloth.

Baked-on splatter on the stainless exterior may be removed with any non-toxic stainless steel cleaner:

1. Follow directions on your cleaning agent.
2. Apply with a cloth, rubbing with the grain of the metal.



CAUTION!!

DO NOT use abrasive cleaning cloths as this will scratch the finish of the stainless steel.

INTERIOR CLEANING

Deck Surface

1. Place the crumb tray on the oven door. See Figure 7.
2. Using a scraper/brush (Figure 8), scrape the decks to remove baked on splatter.
3. Using the brush, clean the deck until smooth.
4. Using a damp cloth, lightly wipe down the surface of the deck.



CAUTION!!

Stones must be at room temperature.



CAUTION!!

Excessive water will be absorbed into the stone and risk of cracking may result. In the event of water absorption, see Deck Stone Dry-Out Procedure on the following page to avoid cracking.



Figure 7



Figure 8

Oil Spills

If oil spills on deck, DO NOT WIPE:

1. Pour Kosher salt on the spill.
2. Allow to absorb.

Follow steps 1-4 under Deck Surface to remove the Kosher salt residue.



Maintenance

Cleaning and Preventative Maintenance

Interior Walls

The aluminized surface may be kept clean and in good condition with mineral oil:

1. Allow the oven to cool.
2. Large amounts of baked on splatter may be removed with a brass scraper, gently applied.
3. Saturate a cloth with mineral oil and wipe the oven.
4. Mild dish detergent and water may also be used to clean the interior walls but be careful not to spill water on the stone decks.
5. Wipe dry with a clean cloth.
6. Remove residue from beneath the oven door with a small brush.



CAUTION!!

DO NOT use caustic solutions such as ammonia, lye or soda ash. DO NOT use domestic oven cleaners. Any of these products will damage the aluminum coating.

Deck Stone Dry-Out Procedure

If excess water is absorbed by the stone and then quickly heated, the boiling water expands and may crack the stone. To prevent cracking perform one of the following dry-out procedures:

1. Dry stones overnight at room temperature with the door open.
2. Set oven to 150°F for 2 hours to slowly dry out the stone.

WEEKLY CLEANING

- Brush out the control area.
- In addition to the daily cleaning it is necessary to clean the air intakes on a weekly basis. Air intakes provide necessary cooling air to the internal components. They are generally located on the rear and sides of the equipment.

6 MONTH CLEANING

- Clean secondary air ducts and air entry ports.

PREVENTATIVE MAINTENANCE

The best preventative maintenance measures are, the proper installation of the equipment and a program for routinely cleaning the ovens.

This oven requires no lubrication, however, the venting system should be checked annually for possible deterioration resulting from moisture and corrosive flue products.

If maintenance or repairs are required, contact the factory, the factory representative or a local Blodgett service company.



WARNING!!

Disconnect the oven from the power supply before servicing. It is not necessary to unplug the oven when cleaning.



POSSIBLE CAUSE(S)	SUGGESTED REMEDY
SYMPTOM: Strong bottoms on the bakes	
<ul style="list-style-type: none"> • Too much bottom heat • Product left in the oven too long 	<ul style="list-style-type: none"> • Reduce cook temperature and increase time • Shorten cook time
SYMPTOM: Uneven bakes	
<ul style="list-style-type: none"> • Oven doors left open too long • Improper scaling of dough • Warped pans • Uneven product loading 	<ul style="list-style-type: none"> • Do not open door unnecessarily • Scale dough consistently • Change pans • Be sure to load the product evenly in pans
SYMPTOM: Product burning	
<ul style="list-style-type: none"> • Thermostat set too high • Product left in the oven too long • Thermostat out of calibration 	<ul style="list-style-type: none"> • Reduce cook temperature • Shorten cook time • *
SYMPTOM: Product dried out	
<ul style="list-style-type: none"> • Oven temperature too low • Not using enough water in the mix • Thermostat out of calibration 	<ul style="list-style-type: none"> • Increase cook temperature • Increase water in product mix • *
SYMPTOM: Extended baking times	
<ul style="list-style-type: none"> • Temperature setting too low • Excessive door openings 	<ul style="list-style-type: none"> • Increase cook time • Do not open door unnecessarily
<p><i>*Denotes remedy is a difficult operation and should be performed by qualified personnel only. It is recommended, however, that All repairs and/or adjustments be done by your local Blodgett service agency and not by the owner/operator. Blodgett cannot assume responsibility for damage as a result of servicing done by unqualified personnel.</i></p>	

 **WARNING!!**

Disconnect the oven from the power supply before servicing. It is not necessary to unplug the oven when cleaning.