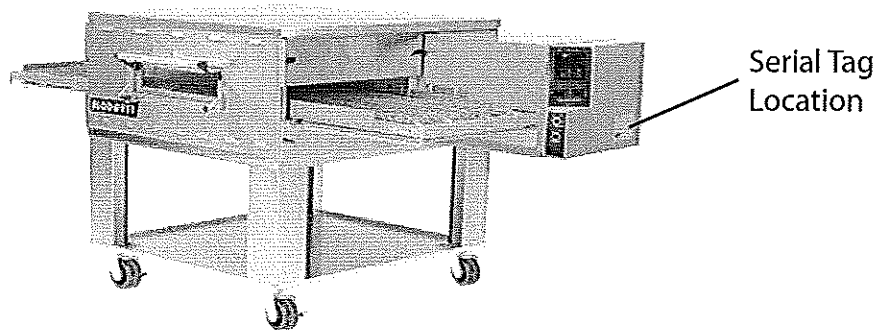


SPL060407-PF-BD  
June 04, 2007  
Replaces SPL111205-PF-BD  
November, 12, 2005



BE2136  
CONVEYOR OVEN  
REPLACEMENT PARTS MANUAL  
(with WIRING DIAGRAMS)

BE21362DEC00208V  
BE21362DFC00240V  
BE21362DGC00480V  
BE21362DHC00380-400V  
BE21362DVC00380V-CE



EFFECTIVE with SERIAL #401811005 and AFTER

Serial # Code
First 4 digits- order of production
Fifth digit- model specific
Sixth and Seventh digit- month of production
Eighth and Ninth digit- year of production

## Table of Contents: Page 2

**BLODGETT CONVEYOR OVENS**, 1400 Toastmaster Drive, Elgin, IL 60120  
Telephone: 847-741-3300 Fax Number 847-741-4406

[www.blodgett.com](http://www.blodgett.com)

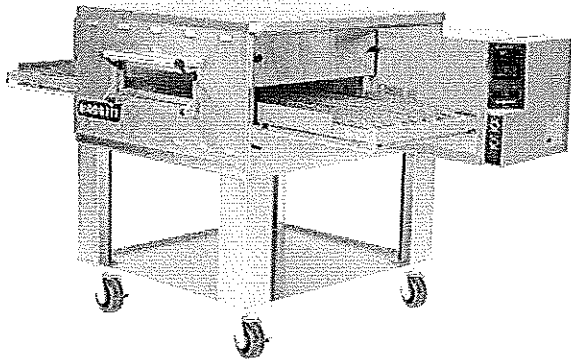
email: [techsupport@middleby.com](mailto:techsupport@middleby.com)

# Table of Contents

Spec Sheet .....	3
Key Parts .....	5
View of Installation Kit .....	6
Parts for Installation Kit .....	7
View of Stacking Kit (BE Series on top of older SG series).....	8
Parts for Stacking Kit (BE Series on top of older SG series).....	9
View of Panels, End Plugs and Window .....	10
Parts for Panels, End Plugs and Window .....	11
View of Right-hand Electrical Compartment .....	12
Parts for Right-hand Electrical Compartment .....	13
View of Left-hand Electrical Compartment .....	14
Parts for Left-hand Electrical Compartment .....	15
View of Rear Compartment and Blowers .....	16
Parts for Rear Compartment and Blowers .....	17
View of Single-Belt Conveyor .....	18
Parts for Single-Belt Conveyor .....	19
View of Split-Belt Conveyor .....	20
Parts for Split-Belt Conveyor .....	21
Standard Finger Placement and Part Numbers .....	22
Wiring Diagrams (electrical schematics) Blodgett BE2136 E208–240 Volt, 3 Phase ENG/UK/GM/FR/SP 58214E .....	23
Blodgett BE2136 E380–480 Volt, 3 Phase ENG/UK/GM/FR/SP 58267D .....	24
Blodgett BE2136 E208–240 Volt, 3 Phase IT/GR/DN/DU 58245D .....	25
Blodgett BE2136 E380–480 Volt, 3 Phase IT/GR/DN/DU 58269D .....	26
Blodgett BE2136 E380V CE, 3 Phase UK/GM/FR/SP 58330D .....	27
Blodgett BE2136 E380V CE, 3 Phase IT/GR/DN/DU 58332D .....	28



# MODELS BE2136 & BG2136 Electric/Gas Conveyor Oven



### OPTIONS AND ACCESSORIES (AT ADDITIONAL CHARGE)

- Solid Front
- High speed conveyor (1-10 minutes)
- Twin belt with individually adjustable speed settings
- One year additional extended warranty
- Stacking Kit- stack new oven on top of SG series



Project \_\_\_\_\_

Item No. \_\_\_\_\_

Quantity \_\_\_\_\_

Blodgett conveyor oven with 20" (508mm) wide conveyor assembly and 36" (915mm) baking zone length. Single, double or triple stack models.

All data is shown per oven section, unless otherwise indicated.

### EXTERIOR CONSTRUCTION

- Stainless steel front, top, sides, and interior
- Aluminized steel back
- Full drop down front window

### INTERIOR CONSTRUCTION

- Stainless steel outer plates
- Stainless steel wire mesh conveyor belt assembly
- Two blower inlets in the plenum for air circulation
- Upper and lower air fingers

### OPERATION

- Heat transferred through forced convection (impingment)
- Open vented baking compartment
- Solid state digital controls to display set point and actual temperature as well as belt speed
- Electronic spark ignition control system (gas model)
- Atmospheric type burner (gas model)
- Internal gas pressure regulator (gas model)
- Tubular resistance elements (electric model)
- Solid state speed control with motor feedback
- 3-30 minute bake time

### STANDARD FEATURES

- Patented energy efficient system that improves cooking results and saves energy
- Front mounted digital control
- Large front loading door with window and stainless steel handle
- Folding removable conveyor belt assembly
- Adjustable belt tensioning feature
- Field reversible belt direction
- One 8" extension tray
- Product stop
- 48" flexible gas hose (gas units only)
- Lower shelf on single and double stack ovens
- 6' cord with NEMA #L6-20P plug (gas model)
- 3/4" NPT (gas model)
- Oven start-up\*
- One year parts & labor warranty\*

\* For all international markets, contact your local distributor.

BE2136 & BG2136

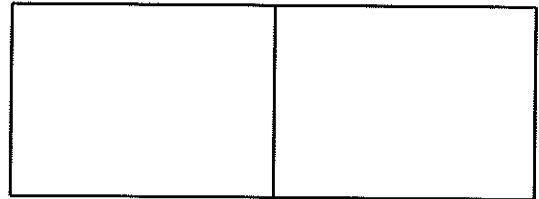
### BLODGETT OVEN COMPANY

www.blodgett.com

1400 Toastmaster Drive, Elgin, IL USA 60120 • Phone: (847) 741-3300 • Fax: (847) 741-0015

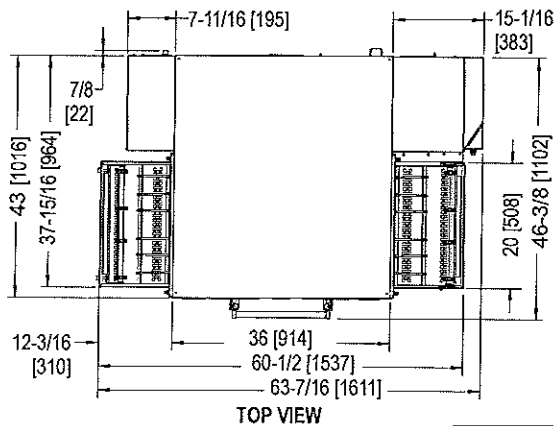


## MODEL BE2136 & BG2136

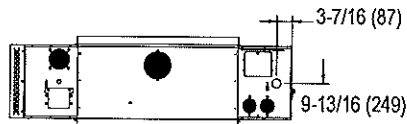


APPROVAL/STAMP

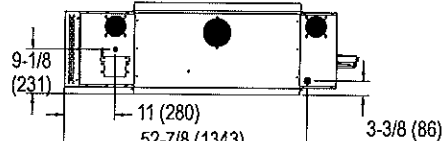
DIMENSIONS ARE IN INCHES [MM]



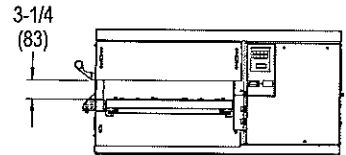
TOP VIEW



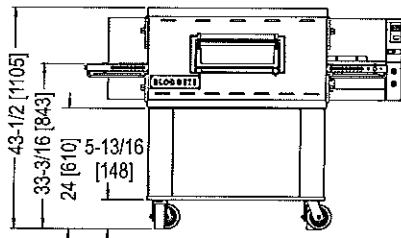
BE2136 REAR VIEW



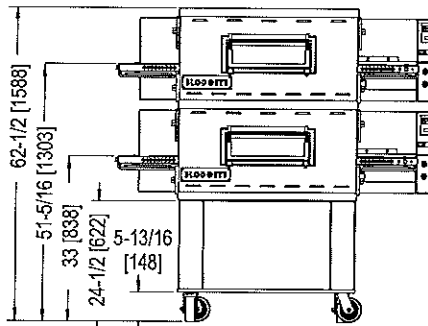
BG2136 REAR VIEW



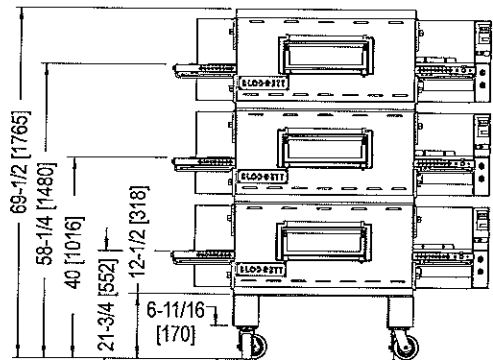
END VIEW



SINGLE



DOUBLE



TRIPLE

### SHORT FORM SPECIFICATIONS

Provide Blodgett conveyor model BE2136 (electric) or BG2136 (gas) conveyor oven. Unit shall cook by means of forced, heated air. Unit shall be (single/double/triple) deck. Each deck shall be fully independent, of stainless steel construction, and fully insulated on all sides. Provide with (electronic spark ignition gas fired/electrically heated) baking compartment with two blowers to evenly distribute heat across baking zone. Conveyor belts shall be single - 18" (457mm) belt constructed of stainless steel wire mesh; baking zone length shall be 36" (915mm). Unit shall be provided with drop down front window. Control panel shall be solid state with 550°F (288°C) maximum thermostat and LCD display of 3-30 minutes adjustable belt speed. Provide start-up inspection service by a factory authorized service agent. Provide options and accessories as indicated.

### DIMENSIONS:

Floor space	60" (1524mm) W x 46-3/8" (1092mm) L		
Product clearance	3-1/4" (83mm)		
Combustible wall clearance	Left	Right	Rear
BE2136	1" (25mm)	1" (25mm)	3" (76mm)
BG2136	1" (25mm)	1" (25mm)	3" (76mm)
Baking zone			
Width	20" (508mm)		
Length	36" (914mm)		

### MAXIMUM INPUT: (per section)

BE2136	17 kW
BG2136	75,000 BTU/hr (22 KW) (79 MJ/hr)

<b>GAS SUPPLY: (specify)</b>	Natural	Propane
Oven per cavity	3/4" NPT	3/4" NPT
Main gas supply	2" line	1-1/2" line
Minimum Gas Pressure:	6" W.C.	11.0" W.C.
Maximum Gas Pressure:	12" W.C.	14" W.C.

### POWER SUPPLY (must have dedicated ground)

<b>BE2136</b>			
Domestic	208 VAC, 50/60 hz, 3 ph, 54 amp, 17 kW, 3-wire plus gnd		
	240 VAC, 50/60 hz, 3 ph, 47 amp, 17 kW, 3-wire plus gnd		
International	380 VAC, 50/60 hz, 3 ph, 32 amp, 17 kW, 3-wire plus N and gnd		
	480 VAC, 50/60 hz, 3 ph, 27 amp, 17 kW, 3-wire plus N and gnd		
CE	380 VAC, 50/60 hz, 3 ph, 32 amp, 17 kW, 3-wire plus N and gnd		
<b>BG2136</b>			
All	208-240 VAC, 50/60 Hz, 1 ph, 6 amp., 2-wire plus ground		

### MINIMUM ENTRY CLEARANCE:

Uncrated 19-1/2" (495mm)

### SHIPPING INFORMATION:

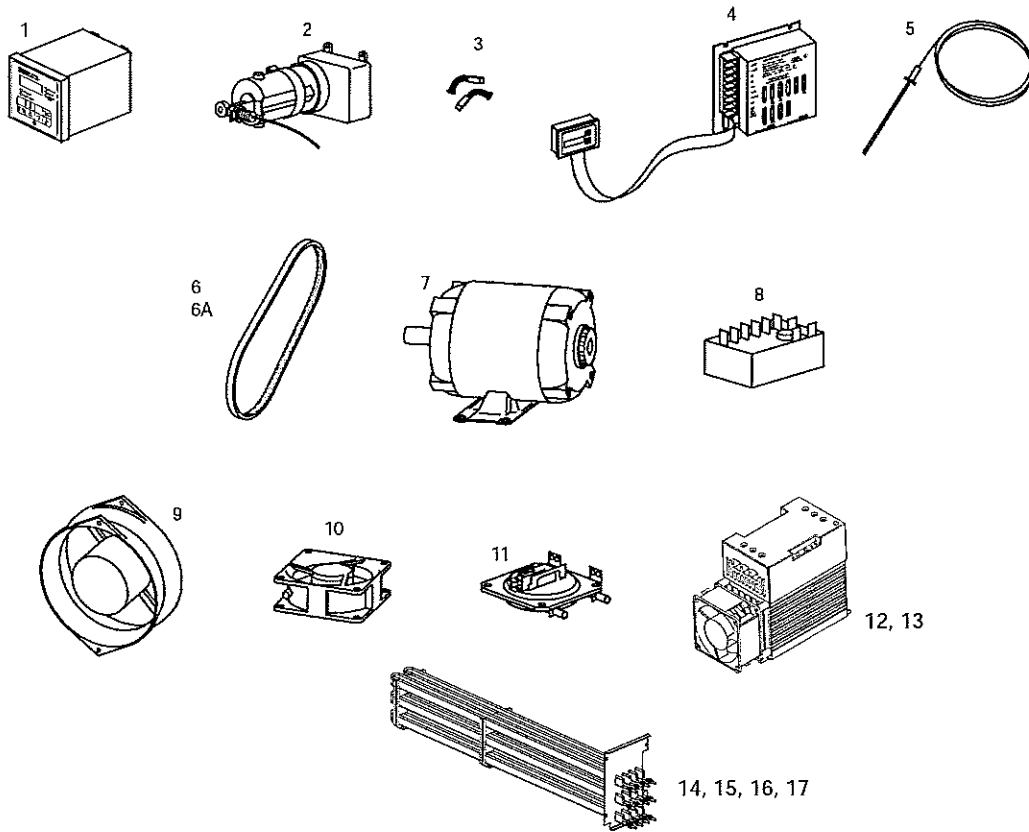
<b>Approx. Weight:</b>	
Single	658 lbs. (299 kg)
Double	1255 lbs. (570 kg)
Triple	2449 lbs. (1112 kg)

**NOTE:** Blodgett Oven, in accord with its policy to continually improve its products, reserves the right to change materials or specifications without notice. Such revisions do not entitle the buyer to corresponding changes, improvements, additions, or replacements for previously purchased equipment.

### BLODGETT OVEN COMPANY

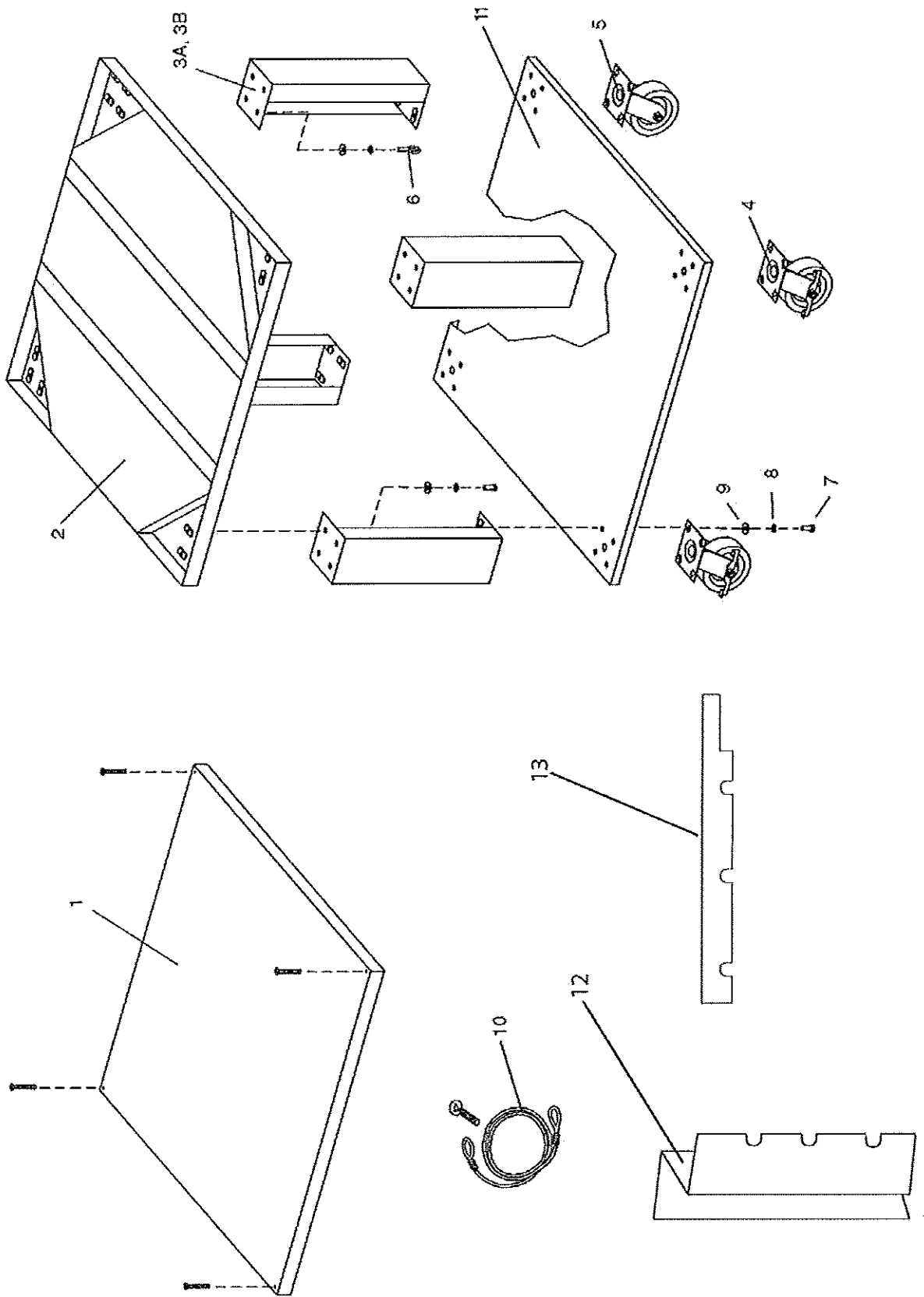
www.blodgett.com • 1400 Toastmaster Drive, Elgin, IL USA 60120 • Phone: (847) 741-3300 • Fax: (847) 741-0015

# BE2136 ELECTRIC CONVEYOR OVEN KEY PARTS



ITEM	QTYUSED		P/N	DESCRIPTION
	SINGLE BELT	TWIN BELT		
1	1	1	47321	DIGITAL TEMPERATURE CONTROLLER
2	1	2	58390	CONVEYOR DRIVE MOTOR W/MAGNET
3	1	2	58484	KIT (2-BRUSHES, 2-CAPS)
4	1	2	58323	KIT, CONVEYOR SPEED CONTROLER (37337)
5	2	2	33984	KIT, THERMOCOUPLE 6"
6A	1	1	51428	BELT, BLOWER, STANDARD RPM (1725)
6B	1	1	50517	BELT, BLOWER, HIGH RPM (2400) (OPTIONAL)
7	1	1	44687	MOTOR, BLOWER, 208/230V, 1/2HP
8	1	1	33983	HIGH LIMIT CONTROL MODULE, 240V
9	1	1	36451	COOLING FAN (BACKWALL)
10	1	1	97525	COOLING FAN (CONTROL COMPARTMENT)
11	1	1	54953	AIR SWITCH
12	2	2	44914	SOLID STATE RELAY WITH COOLING FAN 208V/240V
13	2	2	44568	SOLID STATE RELAY WITH COOLING FAN 380V/480V
14	1	1	58238	HEATER 208V 17kW
15	1	1	50232	HEATER 240V 17kW
16	1	1	50587	HEATER 380V 17kW
17	1	1	50589	HEATER 480V 17kW

View of INSTALLATION KIT

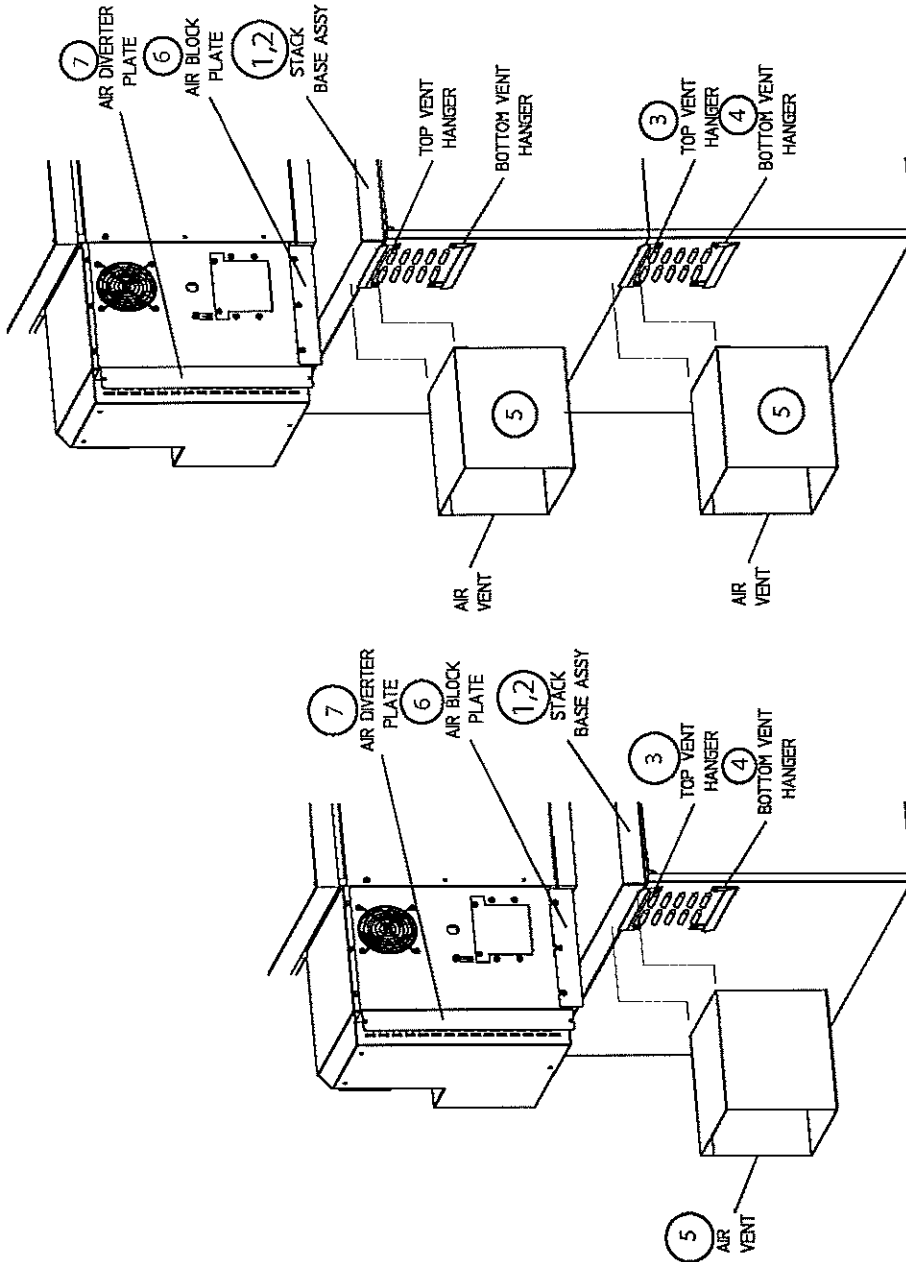


**INSTALLATION KIT DOMESTIC & CE)**

58707-CE      58709-CE      58711-CE  
 58706      58708      58710

ITEM	SINGLE OVEN	DOUBLE OVEN	QTY.	TRIPLE OVEN	P/N	DESCRIPTION
1	1	1		1	48605	TOP PANEL
2	1	1		1	51977	BASEPAD, W/INSULATION
3A	4	4		--	42890	17-1/2" (445mm) LEG EXTENSION, FOR SINGLE AND DOUBLE OVENS
3B	--	--		4	44799	6" (152mm) LEG EXTENSION, FOR TRIPLE OVENS
3C	4	4		4	22450-0028	STUD-6" LEGS- CE ONLY
4	2	2		2	22290-0009	CASTER, WITH FLAT PLATE AND BRAKE
5	2	2		2	22290-0010	CASTER, WITH FLAT PLATE (NO BRAKE)
6	1	1		1	21392-0004	EYEBOLT, 3/4"
7	31	31		31	220373	HEX BOLT, 3/8" - 16 x 1"
8	32	32		32	21416-0001	FLAT WASHER, 3/8"
9	32	32		32	21422-0001	LOCKWASHER, 3/8"
10	1	1		1	22450-0228	RESTRAINT CABLE ASSEMBLY
11	1	1		--	46393	LOWER SHELF - (LIP DOWN POSITION)
12	-	2		4	58453	PLATE-AIR DIVERTER
13	-	1		2	58454	PLATE-AIR BLOCK (HEAT GUARD)
14	1	1		1	58364	OWNER'S MANUAL

# View of Stacking Kit (BE series on top of older SG series)



DOUBLE STACK

TRIPLE STACK

REV	DATE	ENR	REVISION DESCRIPTION	BY/CHK	DATE
B	07/19/2005	000000	RELEASE FOR PRODUCTION	PC/MSS	07/19/2005

## BE/BG/SG2136 STACKING KIT

NOTE: USE THESE INSTRUCTIONS FOR THE INSTALLATION OF THE DOUBLE AND TRIPLE STACK UNITS USING BE2136 OR BG2136 ON TOP OF SG2136 OVENS.

DOUBLE OVENS:

1. FASTEN TOP AND BOTTOM VENT HANGERS TO HOLES LOCATED AROUND THE LOUVERS WITH SCREWS THAT ARE PROVIDED.

2. SLIDE AIR VENT ONTO TOP AND BOTTOM VENT HANGERS AND PUSH DOWN UNTIL SECURE.

3. KNOCK OUT HOLES IN TOP COVER OF OVEN.

4. INSERT BASE ASSEMBLY ALIGNMENT PINS INTO MATCHING HOLES OF TOP COVER. (Item #9)

5. CAREFULLY LOWER NEW OVEN ONTO BASE ASSEMBLY MAKING SURE THAT BOTTOM OF OVEN FITS OVER BASE ASSEMBLY WALLS.

6. LOOSEN SCREWS FROM CONTROL PANEL AND FASTEN AIR DIVERTER PLATE AND AIR BLOCK PLATE AS SHOWN.

		TOLERANCE UNLESS SPECIFIED	
		ANGLES	± 1.0°
FINISH		DEC	± .020
		DEC	± .015
		DEC	± .005
APPROVED		07/19/2005	
CHECKED		07/19/2005	
DRAWN		07/19/2005	
PC		07/19/2005	
MATERIAL		GAGE	
PART NO		58498	
REV		1 of 1	
SHEET		B	
INSTR. STACK KIT		BE/BG/SG2136	

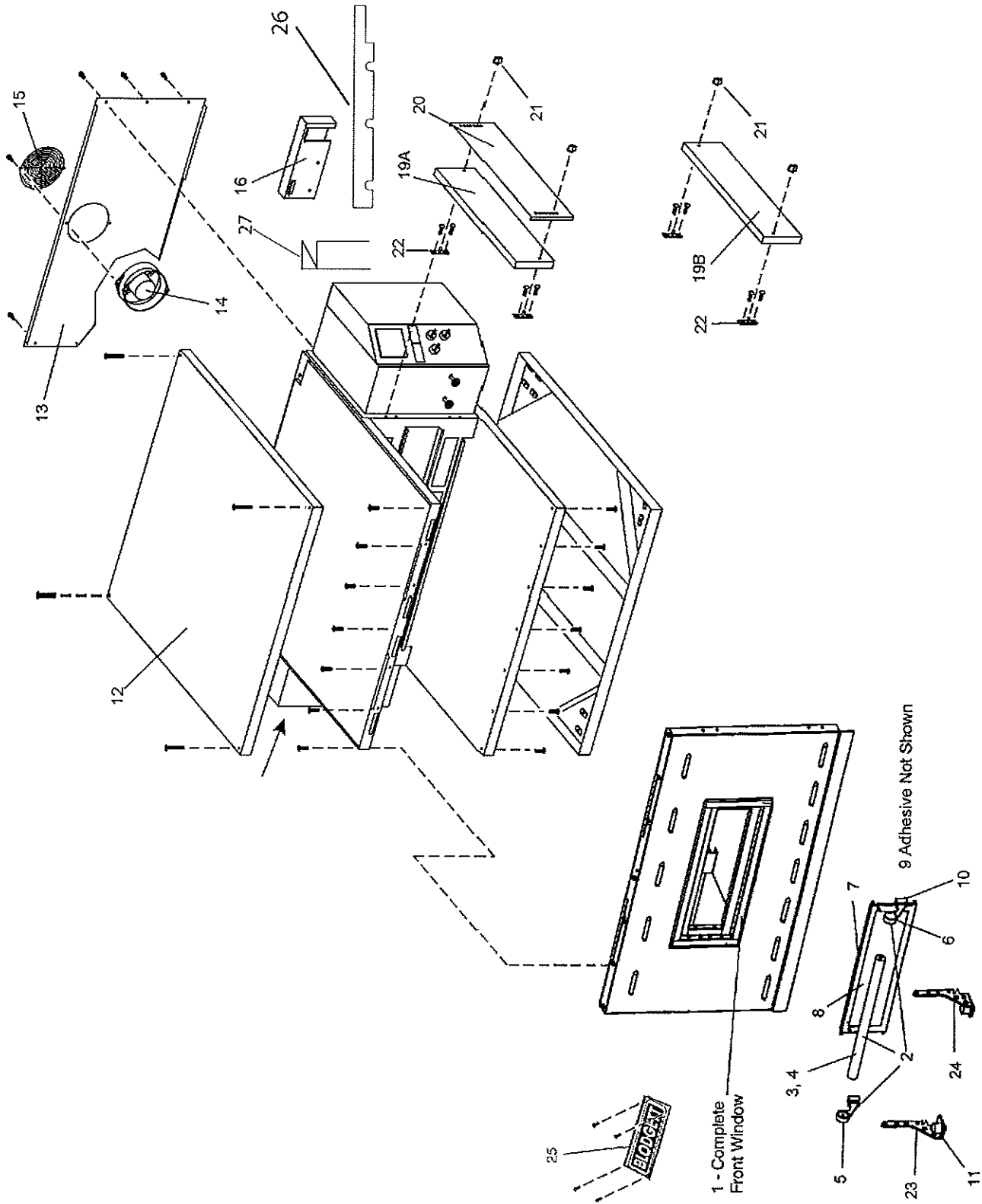
ALL DIMENSIONS ARE IN INCHES UNLESS OTHERWISE SPECIFIED.  
DO NOT SCALE DRAWING.



## Parts for Stacking Kit

Double Kit 58490		Triple Kit 58496		Component 58496	
Item	Qty.	Item No.	Qty.	Item No.	Description
1	1	58414	1	58414	Base Weldment
2	1	58492	1	58492	Insulation For Base
3	1	M10551	2	M10551	Top Vent Hanger
4	1	M10552	2	M10552	Bottom Vent Hanger
5	1	58422	2	58422	Air Vent Box
6	1	1	1	Contact Factory	Plate-Air Block (Heat Guard)
7	1	58453	1	58453	Plate-Air Diverter
8	1	58498	1	58498	Instructions
9	4	M3828	4	M3828	Alignment Pin

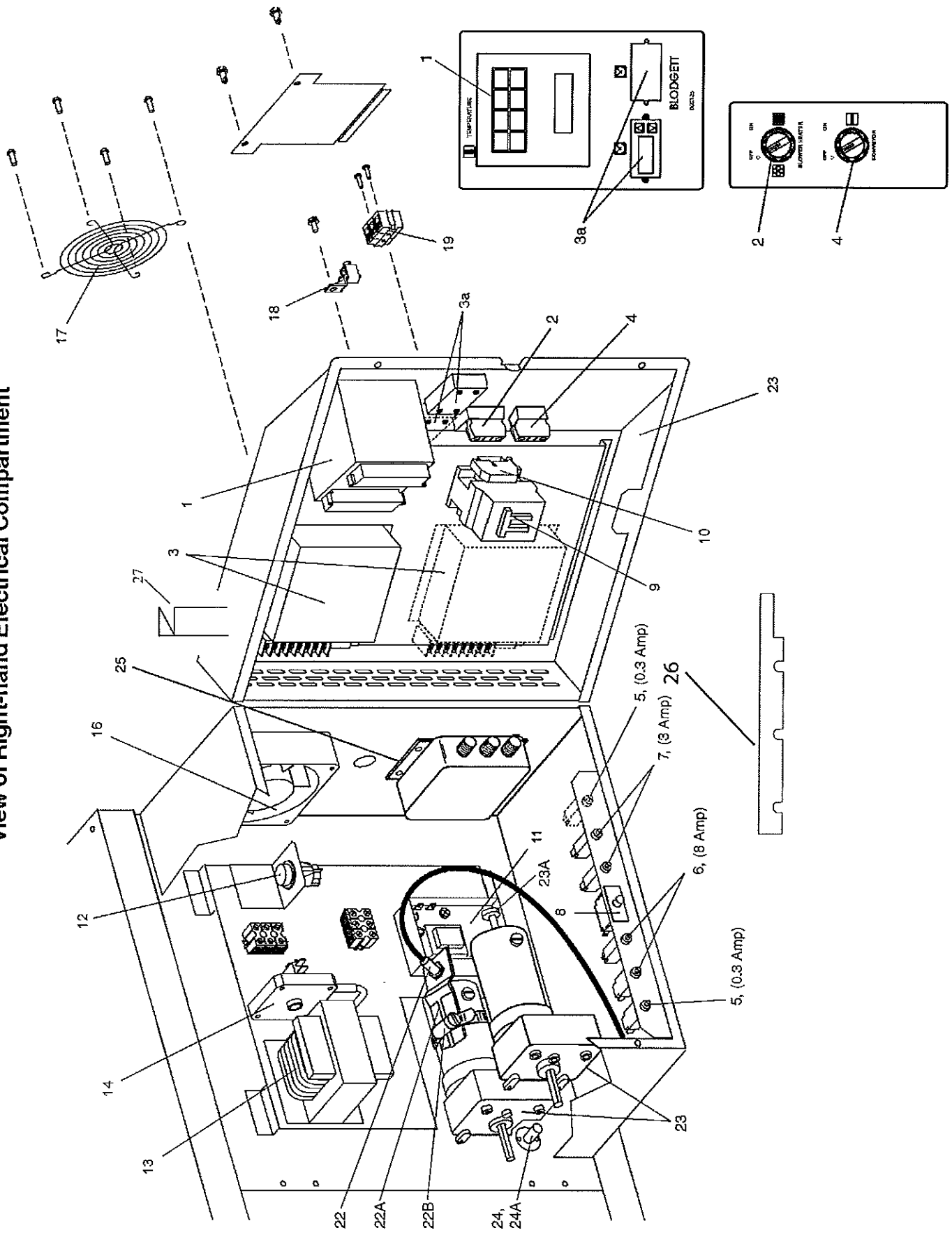
View of PANELS, END PLUGS and WINDOW



**Parts for PANELS, END PLUGS and WINDOW**

ITEM QTY.	P/N	DESCRIPTION	ITEM QTY.	P/N	DESCRIPTION
1	51054	ASSEMBLY, WINDOW, w/HANDLE, ITEMS 1-10	13	47633	BACK WALL
2	51081	ASSEMBLY, HANDLE, ITEMS 3-6	14	36451	COOLING FAN
3	M10092	HANDLE, OUTER	15	31497	FINGER GUARD, COOLING FAN
4	M10127	HANDLE, INNER THREADED	16	See pp. 18 - 21	CHAIN COVER, UPPER
5	M1115	HANDLE, BRACKET (LEFT)	19A	50161	END PLUG, TOP
6	M1116	HANDLE, BRACKET (RIGHT)	19B	48622	END PLUG, BOTTOM
7	51087	FRAME AND WINDOW, ITEMS 8-9	20	42771	SLIDE, OUTER SIDE- EYE BROW
8	M10198	GLASS, 4.1" X 15.150"	21	36452	WING NUT, PLASTIC
9	M1965	ADHESIVE (NOT SHOWN)	22	48640	BRACKET, END PLUG MOUNTING
10	M1118	SCREW-ATTACHES HANDLE	23	51210	BRACKET, WINDOW HINGE (LEFT)
11	30927	BUMPER	24	51211	BRACKET, WINDOW HINGE (RIGHT)
12	48605	TOP PANEL	25	57399	BLODGETT NAMEPLATE
			26	58454	PLATE- AIR BLOCK-HEAT GUARD
			27	58453	PLATE- AIR DISRUPTER

# View of Right-hand Electrical Compartment

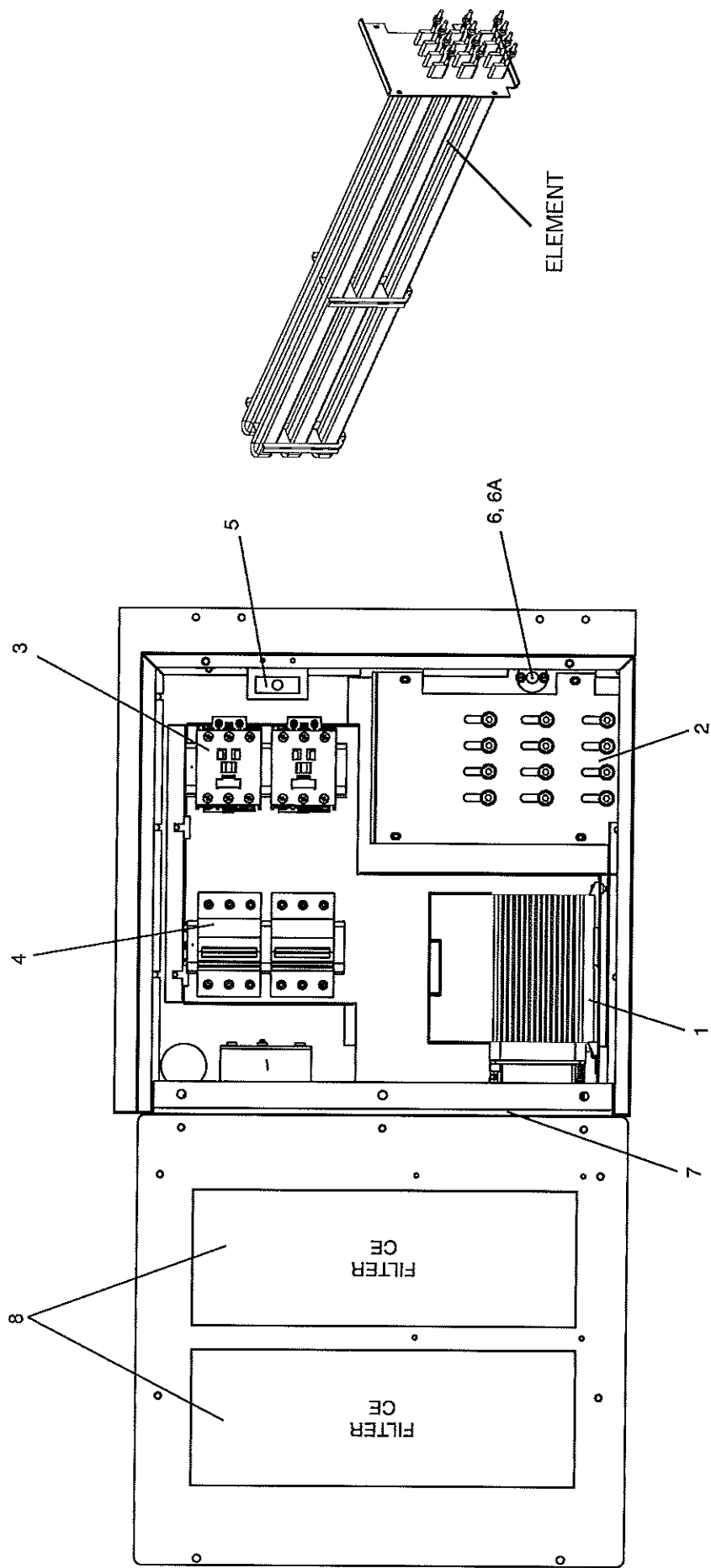


## Parts for Right-hand Electrical Compartment

ITEM	QTY.		P/N	DESCRIPTION
	SINGLE BELT	SPLIT BELT		
1	1	1	47321	DIGITAL TEMPERATURE CONTROLLER
2	1	1	46522	KIT, BLOWER/HEAT SELECTOR SWITCH/W/KNOB AND 2 CONTACT BLOCKS
3	1	2	58323	KIT, CONVEYOR SPEED CONTROLLER WITH DIGITAL DISPLAY (INC. ITEM 3A) (37337)
3A	1	2	37503	DIGITAL DISPLAY ONLY
4	1	1	46521	KIT, CONVEYOR SELECTOR SWITCH WITH KNOB AND CONTACT BLOCK
5	1	2	48635	CIRCUIT BREAKER, 0.3A (DRIVE MOTORS)
6	2	2	46831	CIRCUIT BREAKER, 8A (BLOWER MOTORS)
7	2	2	45036	CIRCUIT BREAKER, 3A (CONTROL CIRCUIT)
8	1	1	28021-0047	SAFETY SWITCH
9	1	1	28041-0011	CONTACTOR
10	2	2	33363	END STOP, CONTACTOR
11	1	1	33983	HIGH LIMIT CONTROL MODULE, 240V
12	1	1	35145	RESET SWITCH, WITH GREEN LIGHT
13	1	1	31504	TRANSFORMER, 230V PRI : 120V SEC, 200VA

ITEM	QTY.		P/N	DESCRIPTION
	SINGLE BELT	SPLIT BELT		
14	1	1	54953	AIR SWITCH
16	1	1	97525	COOLING FAN, 230V
17	1	1	27470-0004	FINGER GUARD, COOLING FAN
18	1	1	F716A8701	GROUND LUG
19	1	1	44390	TERMINAL BLOCK, 3-POLE
22	1	2	22450-0249	SENSOR PICKUP
22A	1	2	22450-0248	BRACKET-PICKUP SENSOR
22B	1	2	220416	CLAMP-SECURES BRACKET
23	1	2	58390	MOTOR, CONVEYOR DRIVE WITH 2-POLE MAGNET
23A	1	2	39002	MAGNET 2-POLE
23B	1	2	310-0017	ADHESIVE
23D	1	2	58484	KIT, 2 BRUSHES & 2 CAPS
24	1	1	33984	KIT, THERMOCOUPLE
24A	1	1	33812-1	THERMOCOUPLE
25	1	1	33813	RFI FILTER
26	1	1	58454	PLATE-AIR BLOCK (heat guard)
27	2	2	58453	PLATE-AIR DIVERTER

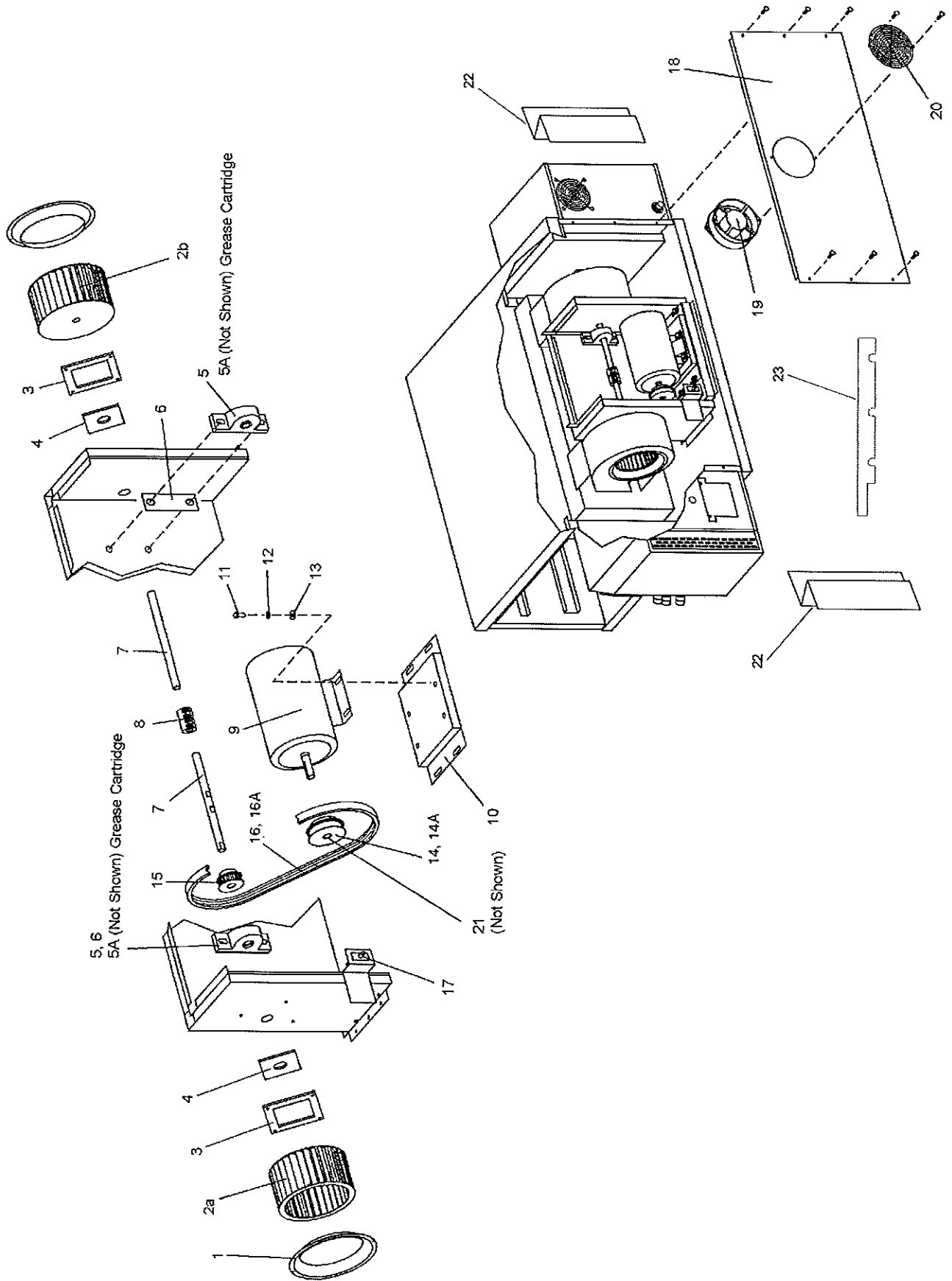
View of Left-hand Electrical Compartment



## Parts for Left-hand Electrical Compartment

ITEM	QTY	PN	DESCRIPTION
1	2	44914	SOLID STATE RELAY WITH COOLING FAN 208-240V
1	2	44568	SOLID STATE RELAY WITH COOLING FAN 380-480V
2	1	58238	WLDMT, HTG ELE 208V7KW
2	1	50232	WLDMT, HTG ELE 240V7KW
2	1	50587	WLDMT, HTG ELE 380V7KW
2	1	50589	WLDMT, HTG ELE 480V7KW
3	2	45019	BREAKER, CKT 480XC 63A 3POLE
4	2	44549	CONTACTOR, 230VAC COIL 85A
5	1	28021-0047	SWITCH, INTLCK 10A NO2P
6	1	33984	KIT, THERMOCOUPLE 6"X20 "
6A	1	33812-1	THERMOCOUPLE
7	2	58212	GUARD, FINGER
8	2	58131	FILTER, CE ONLY

# View of Rear Compartment and Blowers





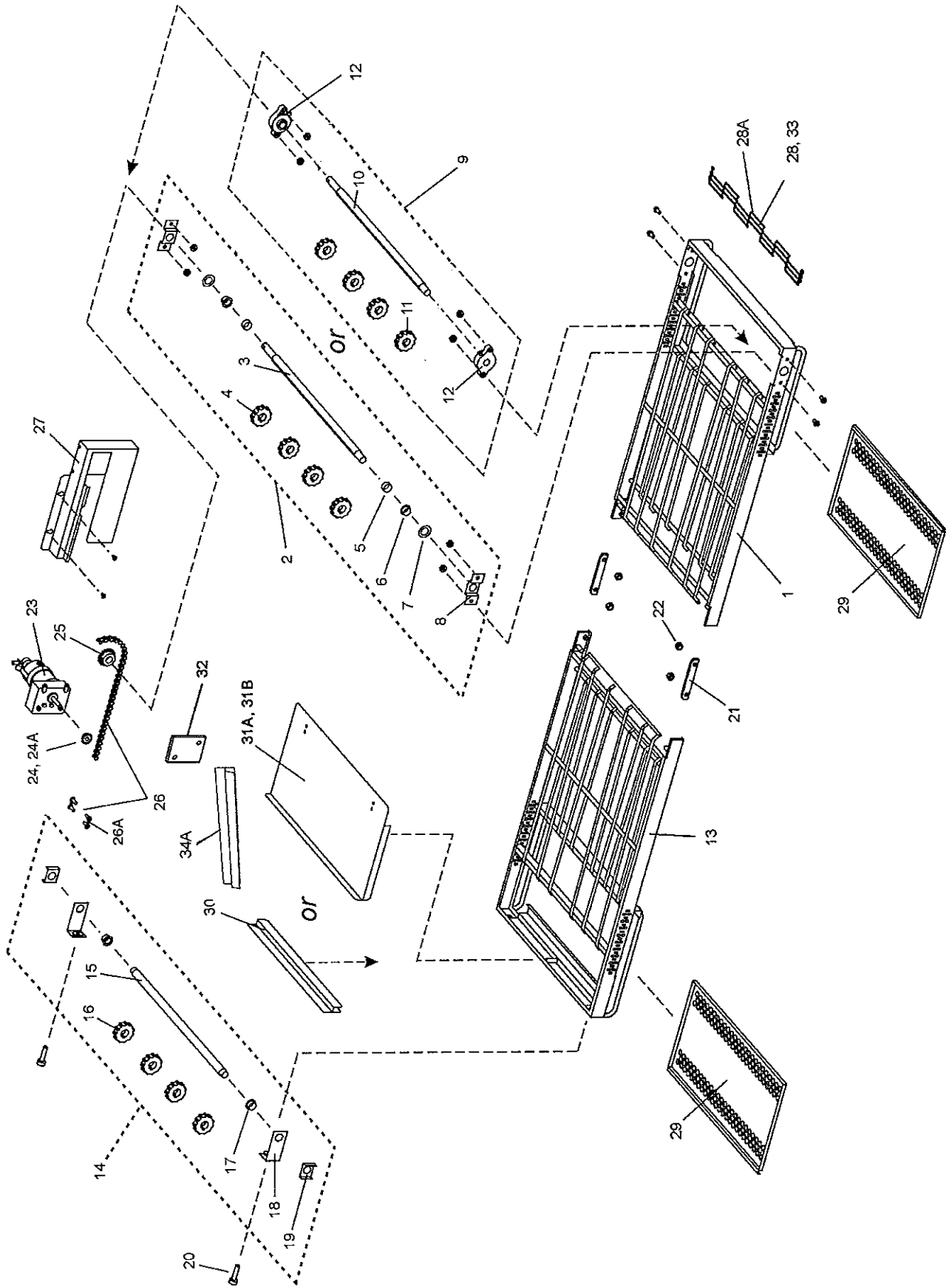
### Parts for Rear Compartment and Blowers

ITEM QTY.	P/N	DESCRIPTION
1 2	42951	INLET RING
2a 1	42752	BLOWER WHEEL (VIEWED FROM REAR OF OVEN-LEFT HAND)
2b 1	42753	BLOWER WHEEL (VIEWED FROM REAR OF OVEN-RIGHT HAND)
3 2	42999	RETAINER, TEFLON SEAL
4 2	35121-0045	TEFLON SEAL
5 2	22072-0025	BEARING, 5/8" BORE WITH STANDARD GREASE
5A --	17110-0015	GREASE, STANDARD CARTRIDGE
6 2	50160	SHIM, BEARING
7 2	50151	BLOWER SHAFT
8 1	44748	COUPLING, BLOWER SHAFT
9 1	44687	MOTOR, BLOWER, 208/230V, 1/2HP
10 1	44688	PLATE, MOTOR MOUNTING
11 4	A3896	SCREW, HEX CAP HEAD 5/16"-18 X 7/8"

ITEM QTY.	P/N	DESCRIPTION
12 4	B301A8847	FLAT WASHER, 5/16"
13 4	A3682	LOCK WASHER, 5/16"
14A 1	50224*	PULLEY-MOTOR (STANDARD 1725 RPM) 1.80" DIA.
14B 1	50260*	PULLEY-MOTOR(HIGH SPEED 2400 RPM) 2.487" DIA.
15 1	50224*	PULLEY, BLOWER SHAFT 1.80" DIA.
16A 1	51428*	BELT (STANDARD 1725 RPM) 160 J
16B 1	50517*	BELT, (50/60Hz) (HIGH SPEED 2400 RPM) 170 J
17 1	28021-0061	SAFETY SWITCH
18 1	47633	BACK WALL
19 1	36451	COOLING FAN-230V
20 1	31497	FINGER GUARD, COOLING FAN
21 1	50259*	BUSHING (HIGH SPEED 2400 RPM)-SPLIT TAPER
22 2	58453	PLATE-AIR DISPUTER
23 1	58454	PLATE-AIR BLOCK (HEAT GUARD)

RPM	RPM KIT P/N	HERTZ	MOTOR PULLEY W/SPLIT BUSHING	MTR PULLEY P/N SPLIT BUSH P/N	ITEM 14		ITEM 15		ITEM 16	
					BLWR SHAFT PULLEY DESCRIPTION	BLWR SHAFT PULLEY	BELT SIZE DESCRIPTION	BELT P/N	RPM OF FAN	
Optional HIGH SPEED	50256	60	POLY G BUSHING	50260 50259	50224	POLY V	50224	POLY V	50517	2400 1950
STD SPEED	51427	60	POLY V	50224	50224	POLY V	50224	POLY V	51428	1725

View of Single-Belt Conveyor - Standard Speed (3-30 Minutes), High Speed (1-10 minutes)

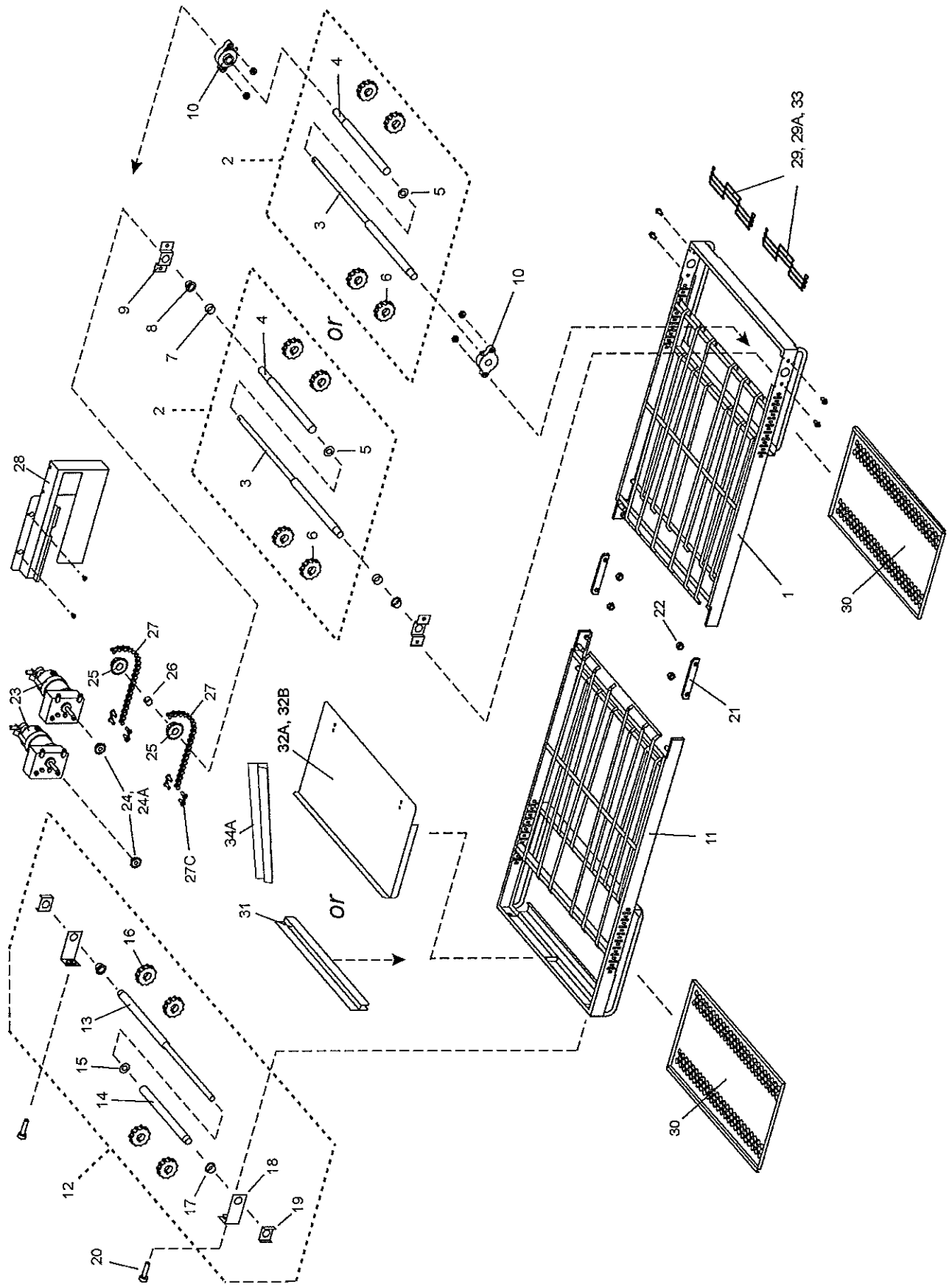


**Parts for Single-Belt Conveyor - Standard Speed (3-30 Minutes), High Speed (1-10 minutes)**

ITEM QTY.	P/N - 60" CONVEYOR	P/N - 76" CONVEYOR	DESCRIPTION
1	48847	48790	FRAME, DRIVE SIDE
2	< - - - -	48797	ASSEMBLY STANDARD DRIVE SHAFT (INC. ITEMS 3-8)
3	< - - - -	48781	DRIVE SHAFT
4	< - - - -	22229-0003	SPROCKET, CON BELT
5	< - - - -	43275	SPACER
6	< - - - -	22034-0003	BUSHING, BRONZE 581.D.
7	< - - - -	35000-1080	SPACER, N/ON
8	< - - - -	49972	BRACKET, DRIVE SUPPORT
9	< - - - -	48782	ASSEMBLY HIGH SPEED DRIVE SHAFT (INC. ITEMS 10-11)
10	< - - - -	48781	DRIVE SHAFT
11	< - - - -	22229-0003	SPROCKET, CON BELT
12	< - - - -	45377	FLANGE BEARING (HIGH SPEED ONLY)
13	48746	48795	FRAME, IDLER SIDE
14	48780	48780	ASSEMBLY IDLER SHAFT (INC. ITEMS 15-19)
15	< - - - -	48779	IDLER SHAFT
16	< - - - -	22229-0003	SPROCKET, CON BELT
17	< - - - -	22034-0003	BUSHING, BRONZE 581.D.
18	37000-0413	37000-0413	BRACKET, IDLER ADJUSTMT.
19	< - - - -	54947	BRACKET, IDLER SUPPORT
20	35000-1008	35000-1008	SCREW, IDLER ADJUSTMENT
21	< - - - -	50792	PIVOT PLATE
22	< - - - -	21176-0002	LOCKNUT, HEX 3/8" 16 SS

ITEM QTY.	P/N - 60" CONVEYOR	P/N - 76" CONVEYOR	DESCRIPTION
23	SEE PAGES 12 & 3		ASSEMBLY CONVEYOR MOTOR AND PICKUP (INC. ITEM 23P)
23A	SEE PAGES 12 & 3		PICKUP
24	< - - - -	34128	SPROCKET, CONVEYOR DRIVE MOTOR, 20T (STANDARD SPEED) 317 BORE
24A	< - - - -	38215	SPROCKET, 22T (HIGH SPEED) 314 BORE
25	< - - - -	22159-0003	SPROCKET, SHAFT DRIVE SHAFT, 20T 58 BORE
26	50050	50052	ASSEMBLY DRIVE CHAIN (INC. ITEM 26P)
26A	< - - - -	3101212	MASTER LINK, DRIVE CHAIN
27	48851	50029	ASSEMBLY CHAIN COVER FOR OZENS WITH RIGHT-SIDE CONTROLS
28	50057	50059	BELT, CONVEYOR, 18#57m STANDARD
28A	< - - - -	8500236	12 SECTION OF BELT
29	48707	48708	CRUMB PAN WITH HOLES, ENTRANCE END
30	50044	50044	END STOP
31A	50040	50040	EXT TRAY 203m
31B	50023	50023	EXT TRAY 20508m
32	50235	50235	PLATE MOTOR COVER ASSY
33	58391	58391	KIT, MASTER LINK
34A	30830	30830	SIDE STOP, LEFT

View of Split Belt Conveyor - Standard Speed (3-30 Minutes), High Speed (1-10 minutes)



**Parts for Split Belt Conveyor - Standard Speed (3-30 Minutes), High Speed (1-10 minutes)**

ITEM QTY.	P/N - 60" CONVEYOR	P/N - 76" CONVEYOR	DESCRIPTION
1	48847	48790	FRAME, DRIVERSIDE
2	< - - - -	48759	ASSEMBLY SPLIT DRIVE SHAFT, STANDARD AND HIGH SPEED (INC. ITEMS 3-6)
3	< - - - -	49969	SPLIT DRIVE SHAFT - MAIN 22.07"
4	< - - - -	48837	SPLIT DRIVE SHAFT - SLEEVE 11.22"
5	< - - - -	21415-0001	FLAT WASHER, BRONZE
6	< - - - -	22229-0003	SPROCKET, CONN BELT
7	< - - - -	43275	SPACER (STANDARD SPEED ONLY)
8	< - - - -	22034-0003	BUSHING, BRONZE 58" I.D. (STANDARD ONLY)
9	< - - - -	49972	BRACKET, DRIVE SUPPORT (STANDARD ONLY)
10	< - - - -	45377	FLANGE BEARING (HIGH SPEED ONLY)
11	48746	48795	FRAME, IDLER SIDE
12	< - - - -	48769	ASSEMBLY SPLIT IDLER SHAFT (INC. ITEMS 13-19)
13	< - - - -	49968	SPLIT IDLER SHAFT - MAIN 20.12"
14	< - - - -	48778	SPLIT IDLER SHAFT - SLEEVE 9.94"
15	< - - - -	21415-0001	FLAT WASHER, BRONZE
16	< - - - -	22229-0003	SPROCKET, CONN BELT
17	< - - - -	22034-0003	BUSHING, BRONZE 58" I.D.
18	< - - - -	37000-0413	BRACKET, IDLER ADJUSTMENT
19	< - - - -	54947	BRACKET, IDLER SUPPORT
20	< - - - -	35000-1008	SCREW, IDLER ADJUSTMENT
21	< - - - -	50792	PISTON PLATE
22	< - - - -	21176-0002	LOCK NUT, HEX 3/8" 16SS
23	SEE PAGES 12 & 13 ASSEMBLY CONVEYOR MOTOR AND PICKUP (INC. ITEM 23a)		

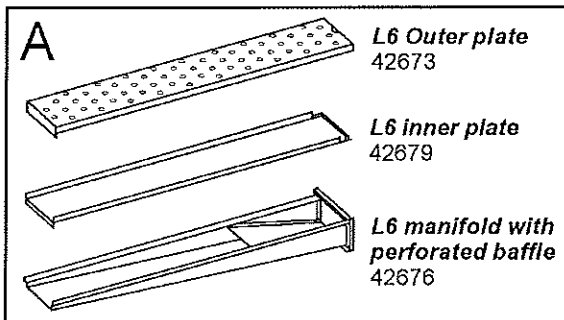
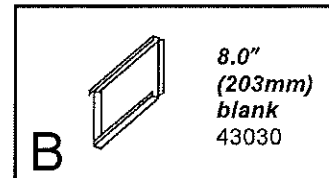
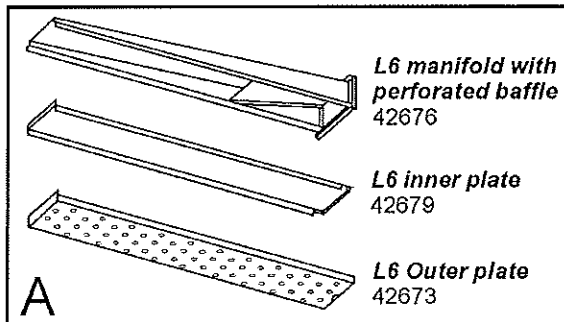
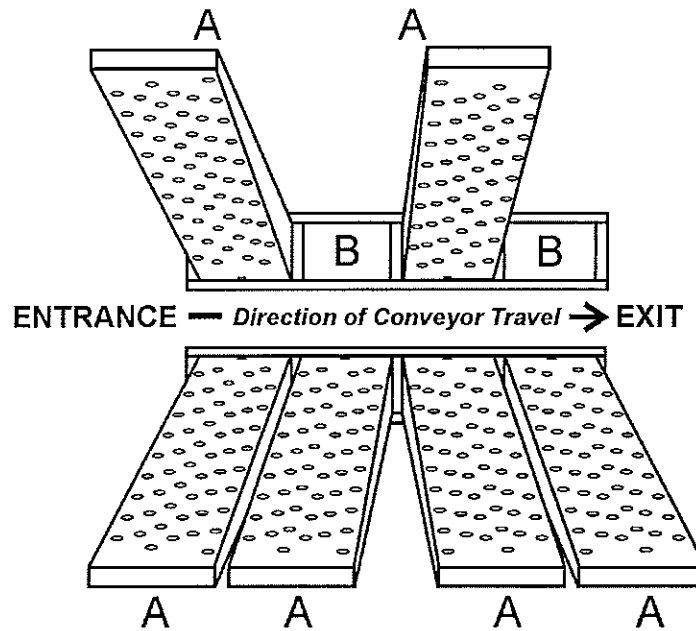
ITEM QTY.	P/N - 60" CONVEYOR	P/N - 76" CONVEYOR	DESCRIPTION
23A	1	SEE PAGES 12 & 13	PICKUP
24	2	< - - - - 34128	SPROCKET, CONVEYOR DRIVE MOTOR, 20T (STANDARD SPEED) .317 BORE
24A	2	< - - - - 38215	SPROCKET, 22T (HIGH SPEED) .314 BORE
25	2	< - - - - 22159-0003	SPROCKET, CONVEYOR DRIVE SHAFT, 20T (STANDARD AND HIGH SPEED)
26	1	< - - - - 35900-0023	BUSHING, DRIVE SPROCKET
27A	1	50050	ASSEMBLY DRIVE CHAIN, REAR BELT (LONG - INC. ITEM 27B & 27C) 12"
27B	1	50051	ASSEMBLY DRIVE CHAIN, FRONT BELT (SHORT - INC. ITEM 27C) 12"
27C	2	< - - - - 3101212	MASTER LINK, DRIVE CHAIN
28	1	48851	ASSEMBLY CHAIN COVER
29	2	50056	BELT, CONVEYOR, 9229m STANDARD
29A	AR	< - - - - 37022	12 SECTION OF BELT
30	2	48707	CRUMBPAN, WHOLES, ENTRANCE END
31	1	50044	END STOP
32A	1	50040	EXTENSION TRAY 8203m
32B	1	50023	EXTENSION TRAY 20508m
33	1	< - - - - 37020	KIT, MASTER LINK
34A	1	30830	SIDE STOP, LEFT

# BE2136

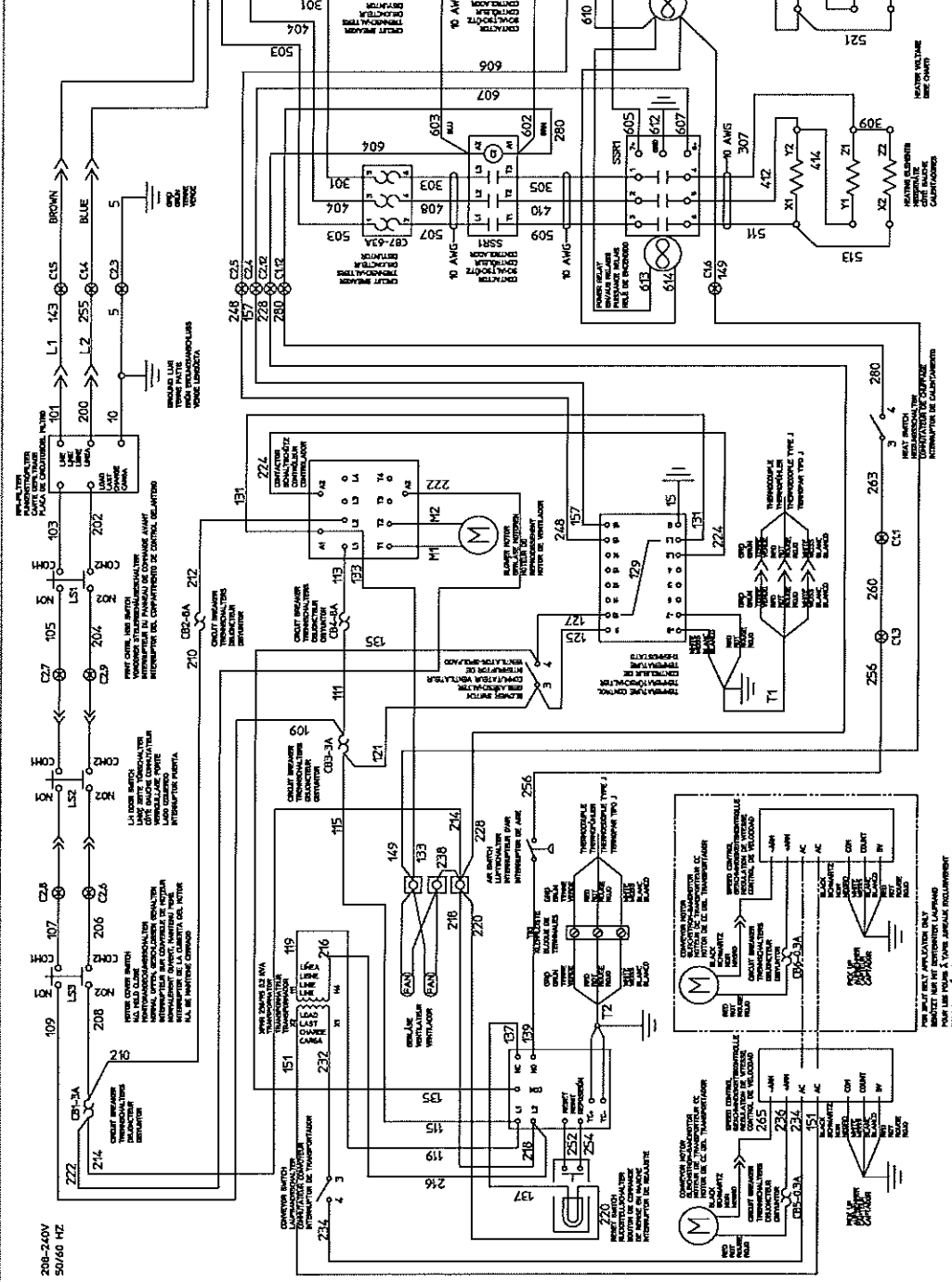
## Standard Air finger configuration

NOTE: Left-to-Right configuration is shown.

For Right-to-Left conveyors, "mirror" the placement of the fingers.



REV	DATE	BY	DESCRIPTION	CHK	DATE
B	04/16/2006	MS	RELEASE FOR PRODUCTION	MS	04/17/2006
D	04/16/2006	MS	ADDED VOLTAGE CHART	MS	04/17/2006
E	07/28/2004	MS	UPDATED DRAWINGS TO VENDORS	MS	07/28/2004



NOTES:  
 ALL DIMENSIONS TO BE AS SHOWN UNLESS OTHERWISE SPECIFIED.  
 C1 = 6 CIRCUIT AMP UHL CONNECTOR.  
 C2 = 2 CIRCUIT AMP UHL CONNECTOR.  
 ⊕ = IN LINE BUTT SPICE.

ENGINEER/RSR  
 NOTE: WD LABEL P/N 56233  
 SEE WD 56245 FOR I7670000

MATERIAL	QUANTITY	TOLERANCE UNLESS NOTED
FINISH		ANGLES ± 1.0°
		DEC .X ± .030
		.XX ± .015
		.XXX ± .005

DATE	BY	APPROVED
07/28/2004	MS	MS

WD E208-240V 3PH BE2136

ALL DIMENSIONS ARE IN INCHES UNLESS OTHERWISE SPECIFIED.  
 DO NOT SCALE DRAWING.

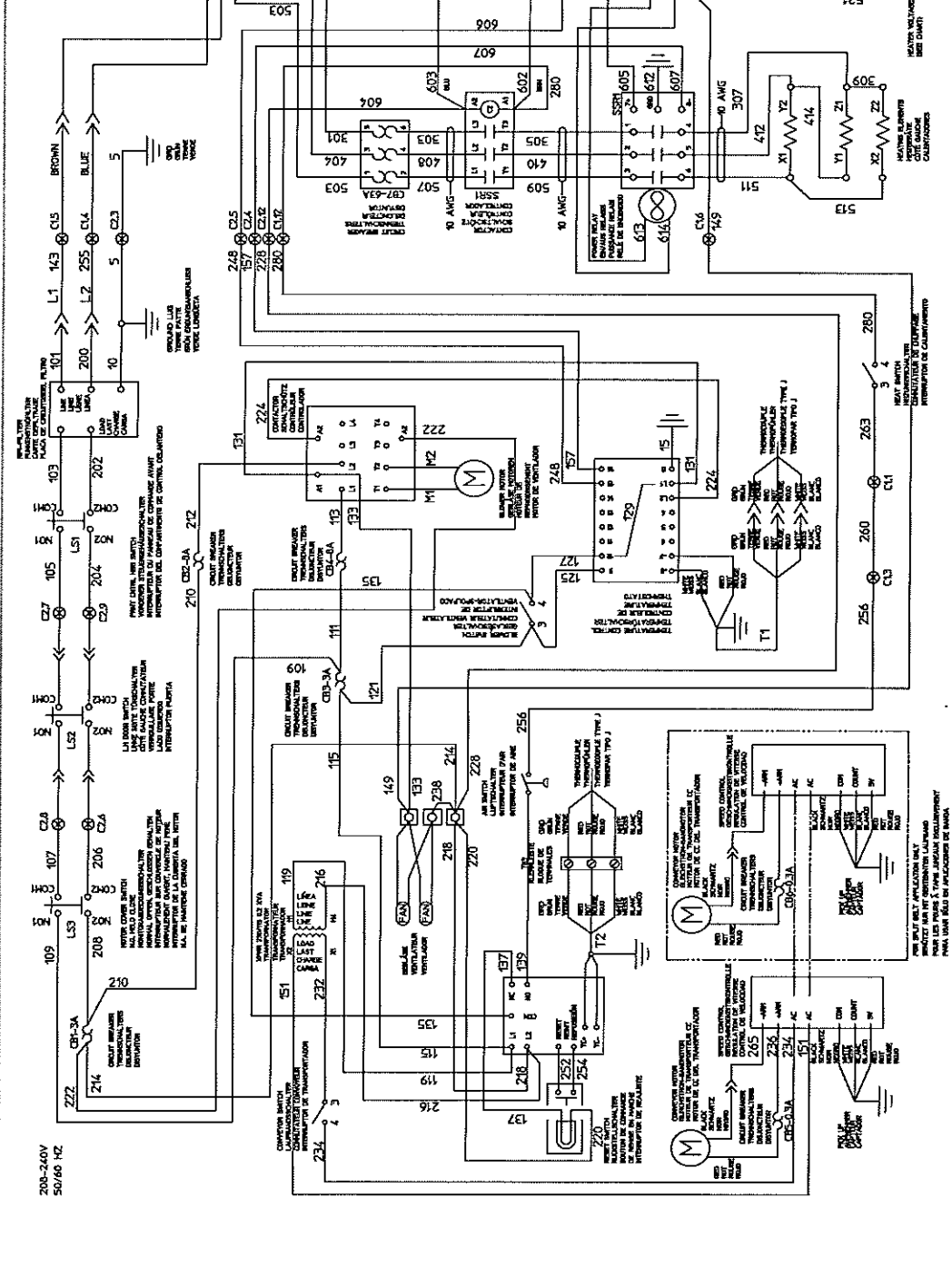
PART NO 58214

SHT 1 OF 1

REV E-

VOLTAGE	TOTAL KILOWATTS	PHASE	L1	L2	L3
208	17.0	3	53.19	53.19	47.19
235	23.5	3	71.2	71.2	65.2
240	17.0	3	46.9	46.9	40.9
235	23.5	3	62.5	62.5	56.5

REV	DATE	ECH	REVISION DESCRIPTION	BY	CHK	DATE
B	01/14/2006	0015137	RELEASE FOR PRODUCTION	PC	NES	01/27/2006
C	11/14/2006	003372	ADDED VOLTAGE CHART	PC	NES	11/17/2006
D	07/28/2006	004256	UPDATED DRAWING TO VERSION	PC	NES	07/28/2006



**BLODGETT**

ENGINEER/RS/SP  
NOTE: WD LABEL P/N 30268  
SEE WD 30269 FOR I776V(0)DU

MATERIAL GAUGE: TOLERANCE UNLESS SPECIFIED IN DIMENSIONS  
FINISH: X .030  
DEC .005  
X .015  
DEC .005

APPROVED: 07/28/2006  
DEC 003 .005

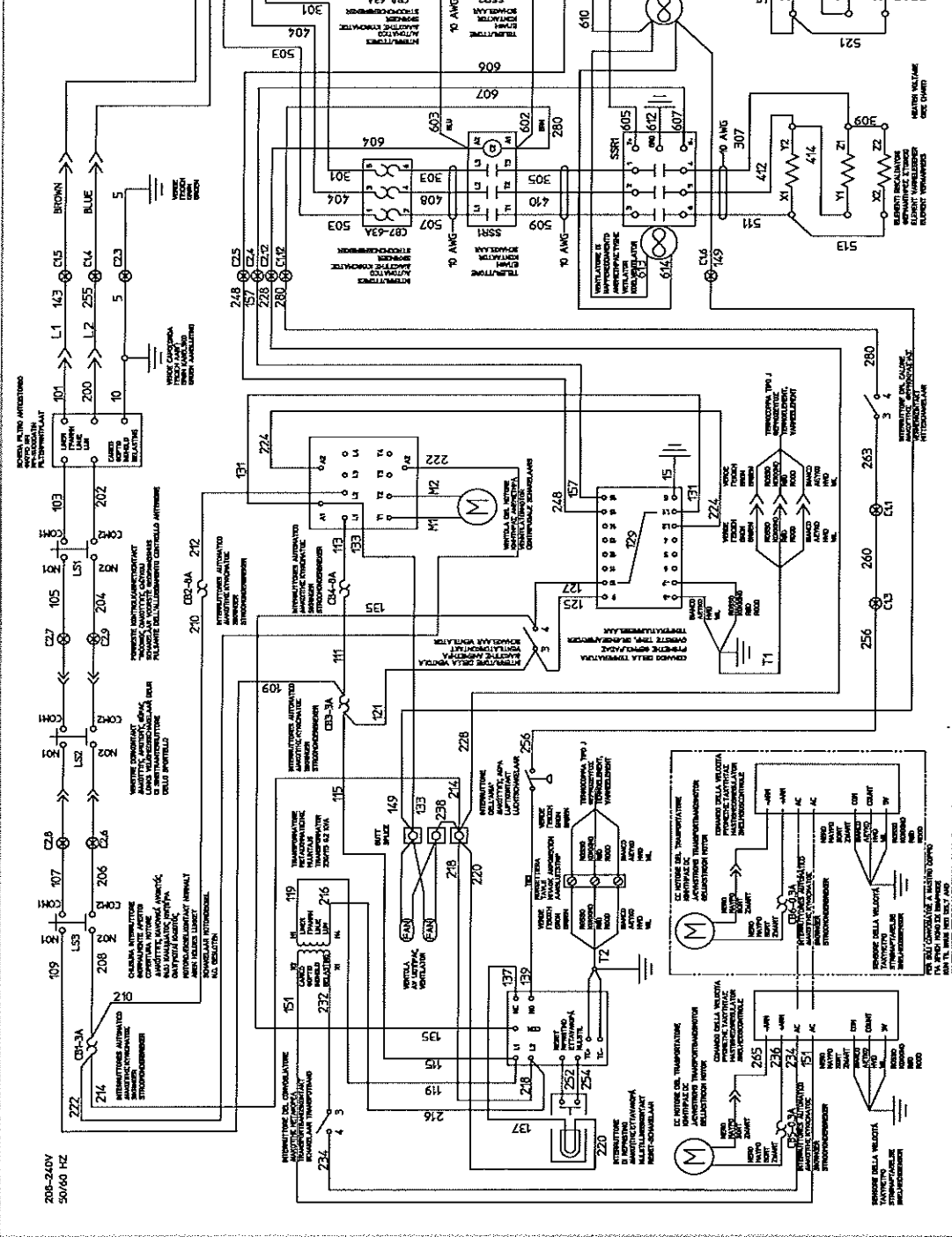
WD, E 380-480V 3PH BE2136 ENG

UNLESS OTHERWISE SPECIFIED, ALL DIMENSIONS ARE IN INCHES  
PART NO 58267  
SHT 1 OF 1

VOLTAGE	TOTAL KILOWATTS	PHASE	L1	L2	L3	N
380	17.0	3	31.8	25.8	25.8	6.0
480	23.5	3	41.7	35.7	35.7	6.0
480	23.5	3	28.5	20.5	20.5	6.0
480	23.5	3	34.3	28.3	28.3	6.0



REV	DATE	CON	REVISION DESCRIPTION	BY	CHK	DATE
B	07/24/2006	005197	RELEASE FOR PRODUCTION	FC	MS	08/27/2006
C	10/14/2006	005372	ADDED VOLTAGE CHART	FC	MS	11/07/2006
D	07/24/2006	004224	UPDATED DRAWING TO VERSION	FC	MS	07/28/2006



NOTES:  
 1. GAUGES TO BE 1/2 ANG.  
 2. UNLESS OTHERWISE SPECIFIED.  
 C1 = 6 CIRCUIT AMP LMK CONNECTOR.  
 C2 = 10 CIRCUIT AMP LMK CONNECTOR.  
 C3 = N LINE BUTT SPLICE.

170201001  
 SEE WD LABEL 50246  
 SEE WD 5024 FOR DRWG/REV/SP

MATERIAL	GAUGE	TOLERANCE UNLESS SPECIFIED
		ANGLES ± 1.0°
		.X ± .030
		.XX ± .015
		.XXX ± .005

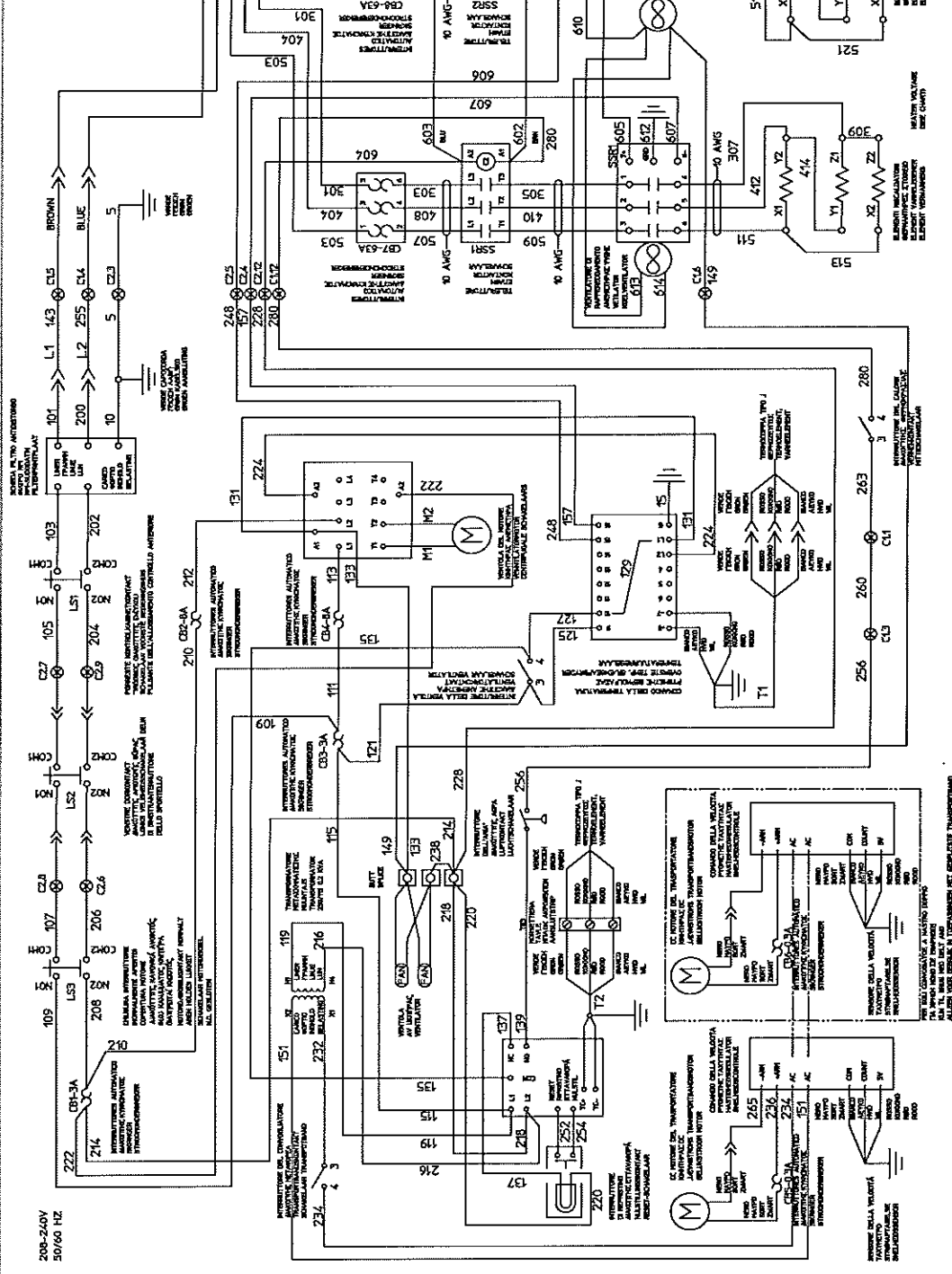
APPROVED: 07/28/2006  
 CHECKED: 07/28/2006  
 DESIGNED: 07/28/2006

WD, E 208-240V 3PH BE2136  
 PART NO 58245  
 1 of 1  
 REV D

ALL DIMENSIONS ARE IN INCHES UNLESS OTHERWISE SPECIFIED.  
 DO NOT SCALE DRAWING.

VOLTAGE	TOTAL KILOWATTS	PHASE	L1	L2	L3
208	17.0	3	53.19	53.19	47.19
235	23.5	3	71.2	71.2	65.2
240	17.0	3	46.9	46.9	40.9
	23.5	3	62.5	62.5	56.5

REV	DATE	ECN	REVISION DESCRIPTION	BY	CHK	DATE
B	05/17/2006	005137	RELEASE FOR PRODUCTION	FC	NSS	05/27/2006
C	01/14/2006	005375	ADDED VOLTAGE CHART	FC	NSS	01/07/2006
D	07/28/2004	004204	UPDATED DRAWING TO VENDOR SPEC'S	FC	NSS	07/28/2004



NOTES:  
 ALL WIRE GAUGES TO BE #8 AWG UNLESS OTHERWISE SPECIFIED.  
 C1 = 6 CIRCUIT AMP ULN CONNECTOR.  
 C2 = 12 CIRCUIT AMP ULN CONNECTOR.  
 ⊗ = IN LINE BUTT SPLICE.

17/28/2004/04  
 NOTE: NO LABEL 56270  
 SEE WD 56272 FOR ENGINEERING SPEC

**BLOGGETT**

TOLERANCE UNLESS SPECIFIED:  
 ANGLES ±.03  
 DEC .XX ±.015  
 .XXX ±.005

DRAWN: FC 07/28/2004  
 CHECKED: MSS 07/28/2004  
 APPROVED: MSS 07/28/2004

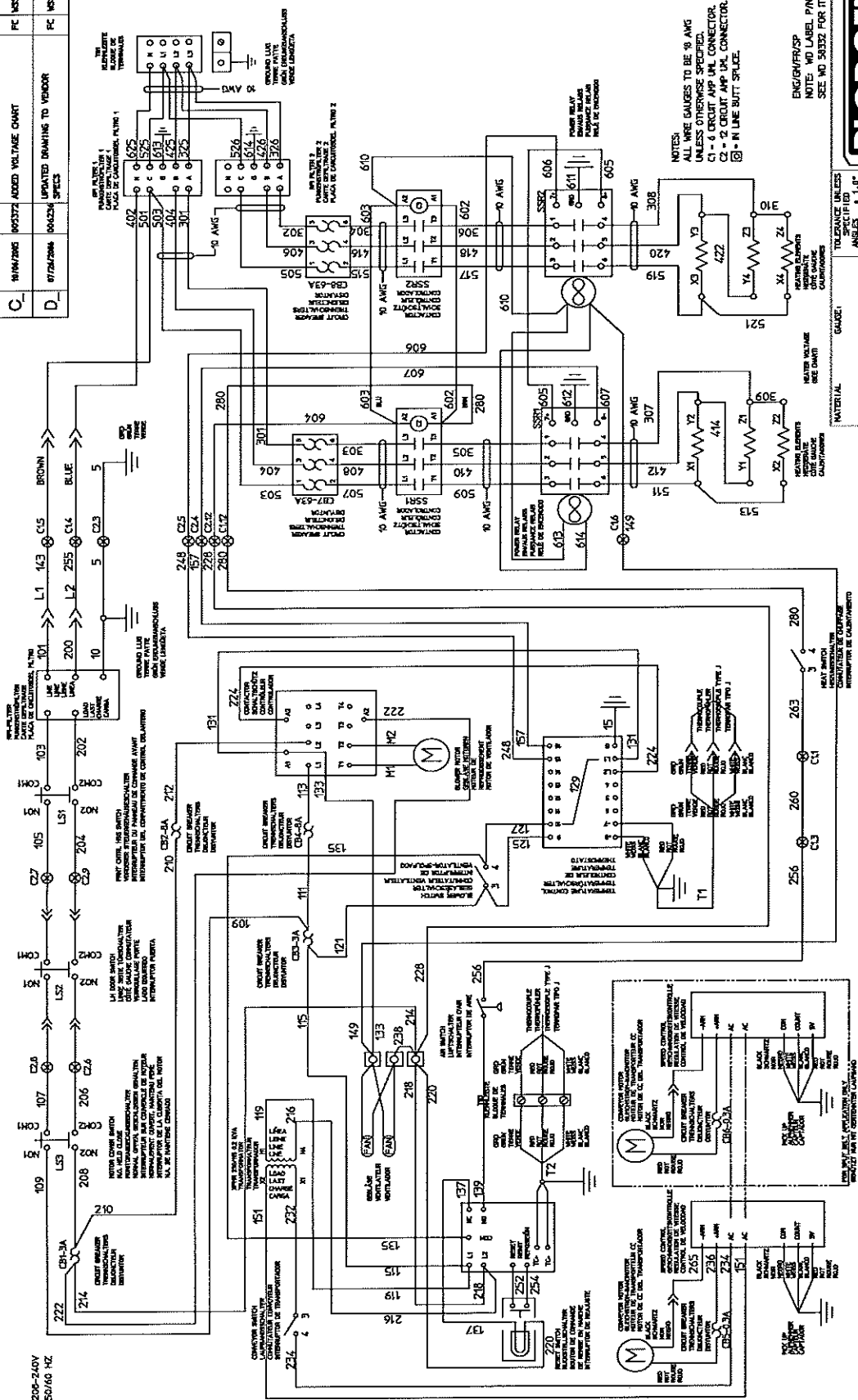
WD, E380-480V 3PH BE2136

ALL DIMENSIONS ARE IN INCHES UNLESS OTHERWISE SPECIFIED.  
 DO NOT SCALE DRAWING

SHT 1 OF 1  
 REV D

VOLTAGE	TOTAL KILOWATTS	PHASE	L1	L2	L3	N
360	17.0	3	31.8	25.8	25.8	6.0
480	23.5	3	41.7	35.7	35.7	6.0
	17.0	3	26.5	20.5	20.5	6.0
	23.5	3	34.3	28.3	28.3	6.0

REV	DATE	BY	DESCRIPTION	CHK	DATE
B	04/28/2005	FC	157 RELEASE FOR PRODUCTION	NSS	02/27/2006
C	04/28/2005	FC	372 ADDED VOLTAGE CHART	NSS	10/18/2006
D	07/28/2006	FC	2046 UPDATED DRAWING TO VENDOR SPEC'S	NSS	07/28/2006



2006-240V  
50/60 HZ

2006-240V 50/60 HZ  
NOTE NO LABEL PIN 50311  
SEE NO. 58332 FOR IT/ES/DOU

**BLOGGETT**

ENGINEER/SP  
NOTE NO LABEL PIN 50311  
SEE NO. 58332 FOR IT/ES/DOU

TO FINISH UNLESS SPECIFIED  
ANGLES ± 1.0°  
DEC ± .015  
X ± .015  
Y ± .015  
Z ± .015

APPROVED 07/28/2006  
FC

WD, E380VCE 3PH BE2136 ENG

ALL DIMENSIONS ARE IN INCHES UNLESS OTHERWISE SPECIFIED.  
DIM. NOT TO SCALE DRAWING.

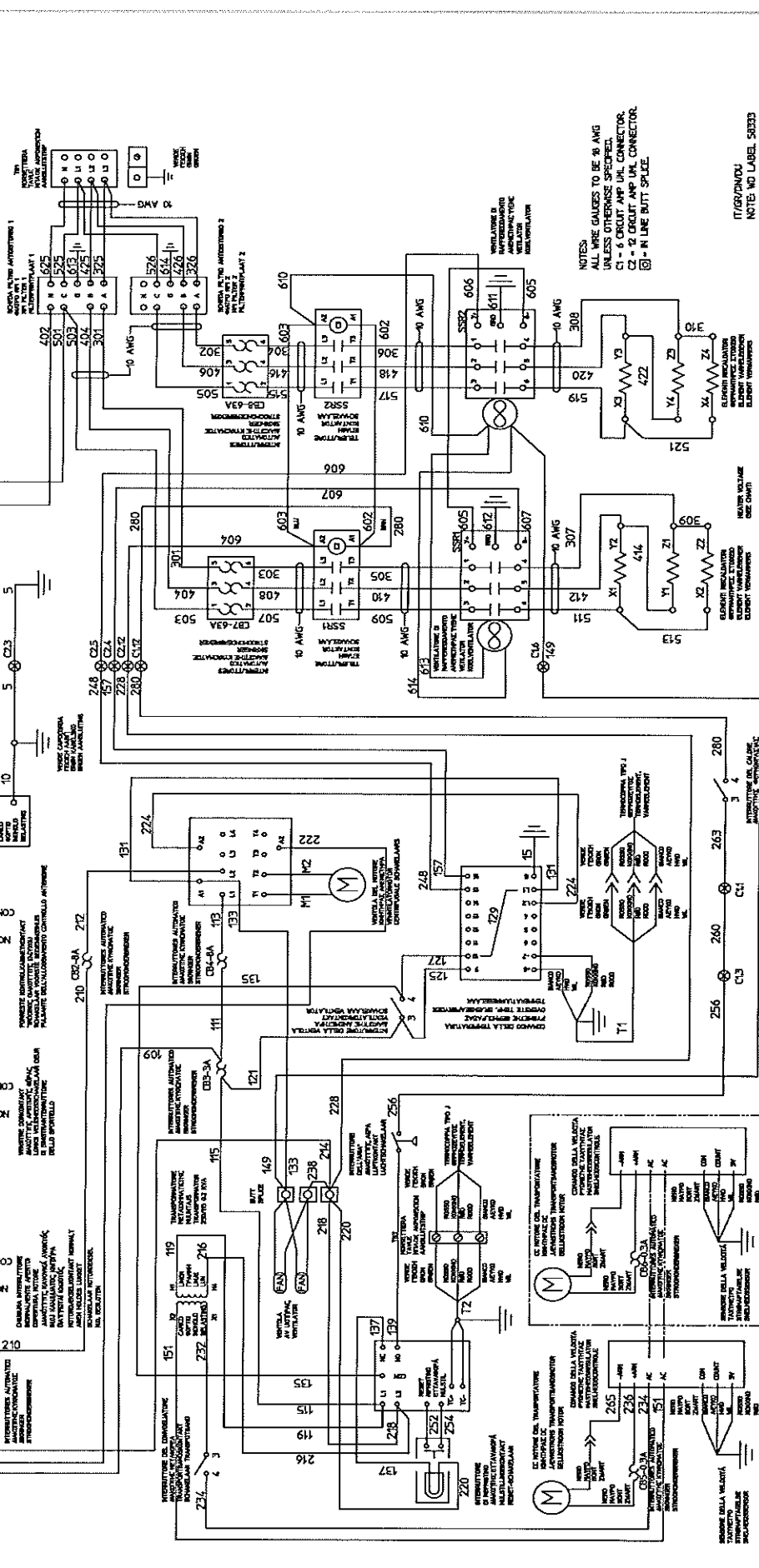
VOLTAGE	TOTAL KILOWATTS	PHASE	L1	L2	L3	N
380	17.0	3	31.8	25.8	6.0	
	23.5	3	41.7	35.7	6.0	

PART NO 58330

SHT 1 OF 1

REV D

REV	DATE	BCN	REVISION DESCRIPTION	BY	CHK	DATE
B	07/24/2006	003137	RELEASE FOR PRODUCTION	FC	MS	05/27/2006
C	08/01/2006	003976	ADDED VOLTAGE CHART	FC	MS	10/07/2006
D	07/24/2006	004234	UPDATED DRAWING TO VENDOR SPECS	FC	MS	07/24/2006



IT/GR/IND/CI  
 NOTES NO LABEL SIZES  
 SEE NO 58330 FOR ENG/GR/IND/CI/SP

**BLOGGETT**

MATERIAL GAUGE: 1.14" ANCHORS  
 FINISH  
 TOLERANCE UNLESS SPECIFIED  
 DEC +.009  
 JAN +.015  
 MAR +.005

DATE RECORDED 07/24/2006 MS APPROVED 07/24/2006 MS

WD, E380VCE 3PH BE2136  
 PART NO 58332

ALL DIMENSIONS ARE IN INCHES UNLESS OTHERWISE SPECIFIED.  
 UNLESS NOTED OTHERWISE, DIMENSIONS DO NOT SCALE DRAWING.

SHT 1 of 1  
 REV D

VOLTAGE	TOTAL KILOWATTS	PHASE	L1	L2	L3	N
380	17.0	3	31.8	25.8	25.8	6.0
	23.5	3	41.7	35.7	35.7	6.0