



COS-20
NON-SELF FLUSHING COMBI OVEN
REPLACEMENT PARTS LIST

EFFECTIVE FEBRUARY 9, 2012

Superseding All Previous Parts Lists.

The Company reserves the right to make substitution in the event that items specified are not available.

ERRORS: Descriptive and/or typographic errors are subject to correction.

BLODGETT OVEN COMPANY

44 Lakeside Avenue, Burlington, Vermont 05401 USA Telephone: (802) 658-6600 Fax: (802) 860-3732
www.blodgett.com

P/N 55189 Rev A

SERIAL NUMBER LOCATION / KEY:

IMPORTANT: When ordering parts, please provide the model, gas type, voltage and serial number of the oven. The identification plate is located on the left side of the control compartment.

SERIAL NUMBERS CONTAINING:

020

HM

TO OBTAIN LITERATURE:

Email: literature@blodgett.com

or visit

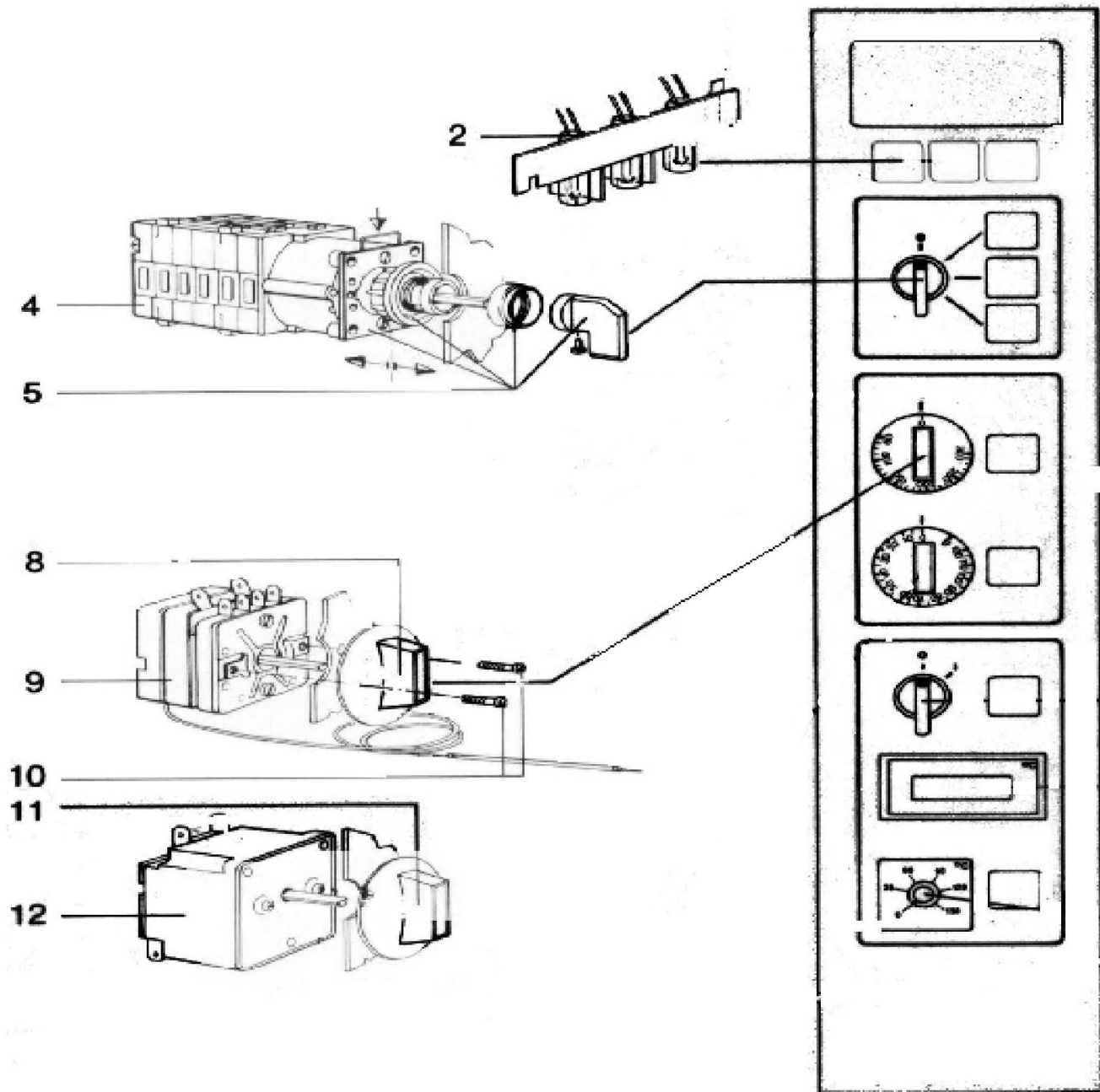
www.blodgett.com

TABLE OF CONTENTS

CONTROL PANELS	PAGE 4
DOOR COMPONENTS.....	PAGE 6
ELECTRICAL COMPONENTS	PAGE 8
MOTOR COMPONENTS	PAGE 11
INTERIOR COMPONENTS	PAGE 12
STEAM GENERATOR COMPONENTS	PAGE 13
PLUMBING COMPONENTS	PAGE 14

CONTROL PANEL

STANDARD CONTROL

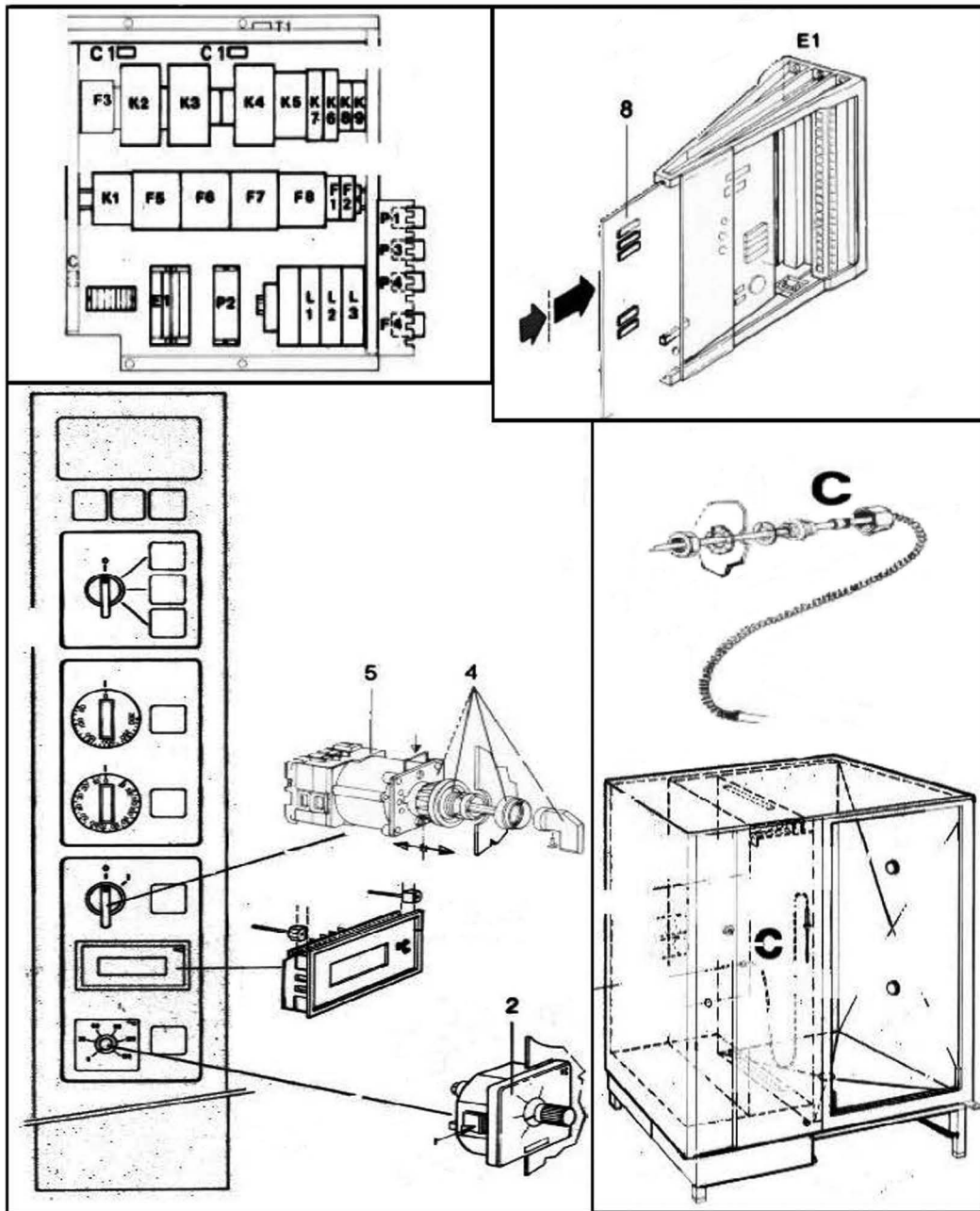


Ref. No.	Part No.	Description
2	R0135	Socket, control lamp
		NOTE: For use on very early models.
	R0226	Indicator light, clear
	R1318	Indicator light, green
4	R0069	Mode Switch, 4 position, S2

Ref. No.	Part No.	Description
	R0074	Shaft assy, mode switch
5	R0364	Knob, mode switch w/ring
8	R0116	Knob, Thermostat
9	R1178	Thermostat, hot air w/knob & screws P5
11	R0115	Knob, Timer
12	R1182	Timer, 100 minutes w/knob & screws, S3

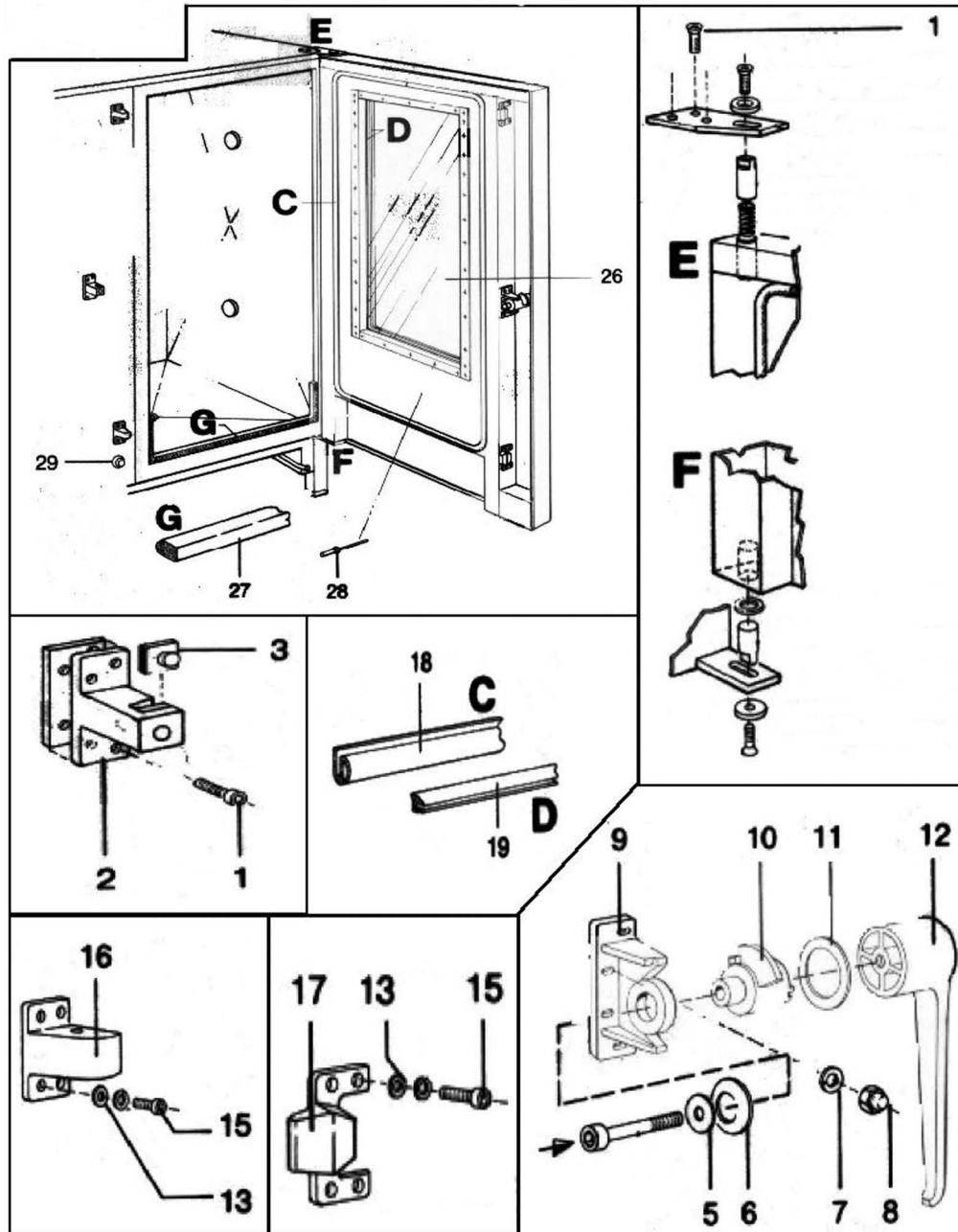
CONTROL PANEL

STANDARD CONTROL W/OPTIONAL MEAT PROBE



Ref. No.	Part No.	Description
4	R0364	Knob assy, on/off switch (Pre 1986)
5	R4622	Switch, on/off meat probe S5 (Pre 1986)
	R5686	Switch, on/off meat probe (After 1986)
	R0149	Thermostat, meat probe 240V (Pre 1986)
	R6746	Retrofit kit, meat probe controller (Pre 1986)
	R5242	Controller only, meat probe (After 1986)
	R5317	Retrofit kit, sensor spiral to plug in type
	R5315	Sensor, meat probe plug in type (After 1986)
	R5319	Panel jack, sensor plug in

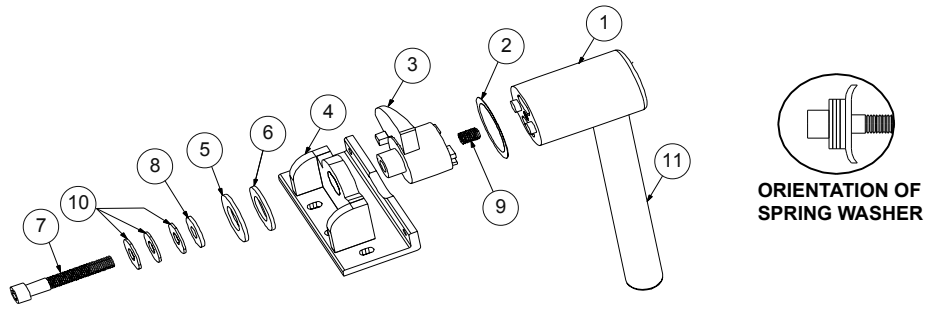
DOOR COMPONENTS



Ref. No.	Part No.	Description	Ref. No.	Part No.	Description
1	R0015	Screw, socket countersunk	13	R0042	Washer, door catch
2	R0274	Catch, door (w/hardware)	15	R0016	Screw, hex socket head cap, door catch
3	R1009	Insert, plastic door catch	16	R0922	Roller catch, female (on oven)
5	R1079	Washer, door handle, flat (Pre 120198)	17	R0923	Roller catch, male (on door)
6	R1080	Spring disc, door handle (Pre 120198)	18	R0436	Gasket, door
7	R0271	Washer, door handle (Pre 120198)	19	R2105	Gasket, door glass (per foot)
8	R0269	Nut, door handle hex (Pre 120198)	27	R0432	Gasket, transport cart seal (per foot)
9	R6899	Base mounting, door handle (Pre 120198)	R6979	Guard, door gasket	
10	R1082	Cam door handle (Pre 120198)	28	R1472	Rivets, 1/8" for window frame
11	R1083	Washer, door handle plastic (Pre 120198)	29	R0225	Switch, door
	R0278	Retrofit kit, door handle (After 120198)	R1109	Grommet, door switch	
	R8150	Handle assy, door (After 120198)	R0937	Pin, actuator on door	

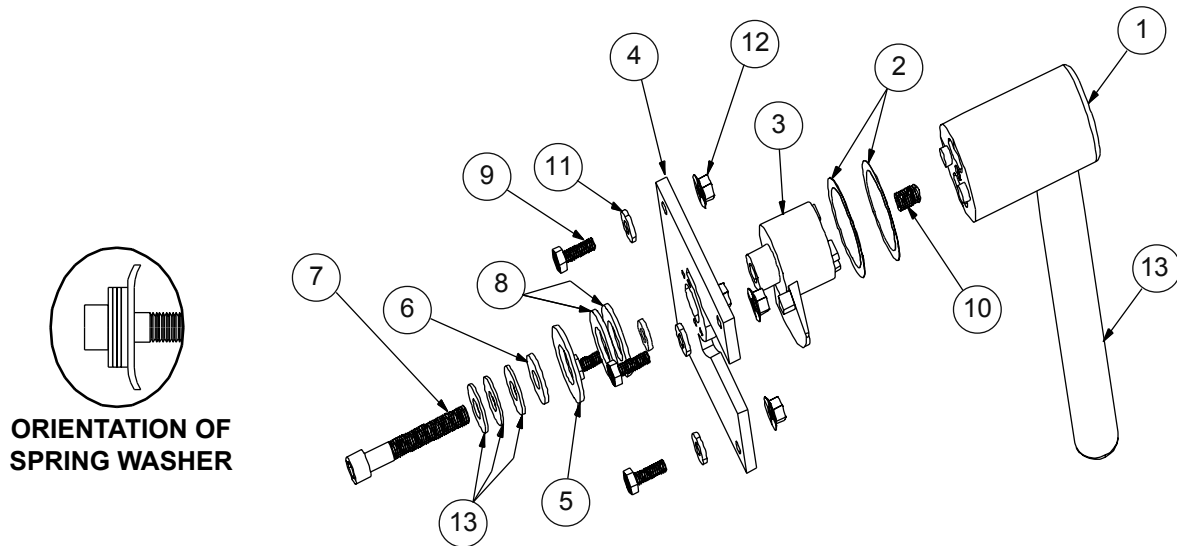
DOOR COMPONENTS

NEW STYLE DOOR HANDLE (AFTER 12/01/98) RETROFIT KIT R0278



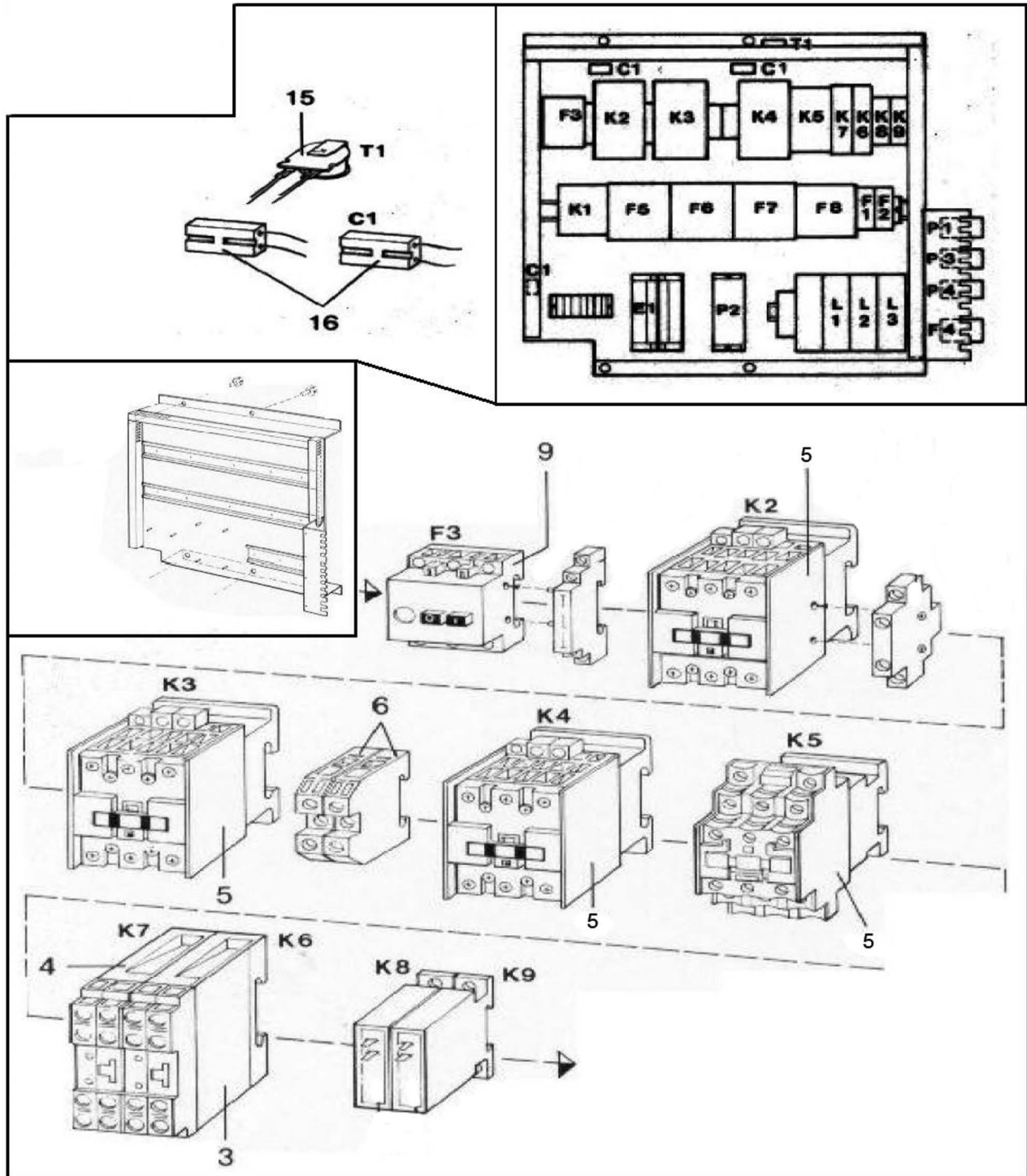
Ref. No.	Part No.	Description	Ref. No.	Part No.	Description
1	R7889	Support, door handle	7	R7942	Screw, socket head 3/8-16 x 2-1/2"
2	R1083	Washer, acetal 1.625 ID x 2.040 OD	8	R7867	Washer, nickle plated brass, .392 ID x 1 OD
3	R1082	Cam, door handle	9	R8149	Screw, set 3/8-16
4	R6899	Base, mounting	10	R2292	Washer, flat 3/8
5	R1080	Spring, disc .8 ID x 1.6 OD	11	R7888	Handle
6	R1079	Washer, flat .8 ID x 1.5 OD s/s			

DOOR HANDLE ASSEMBLY (R8150)



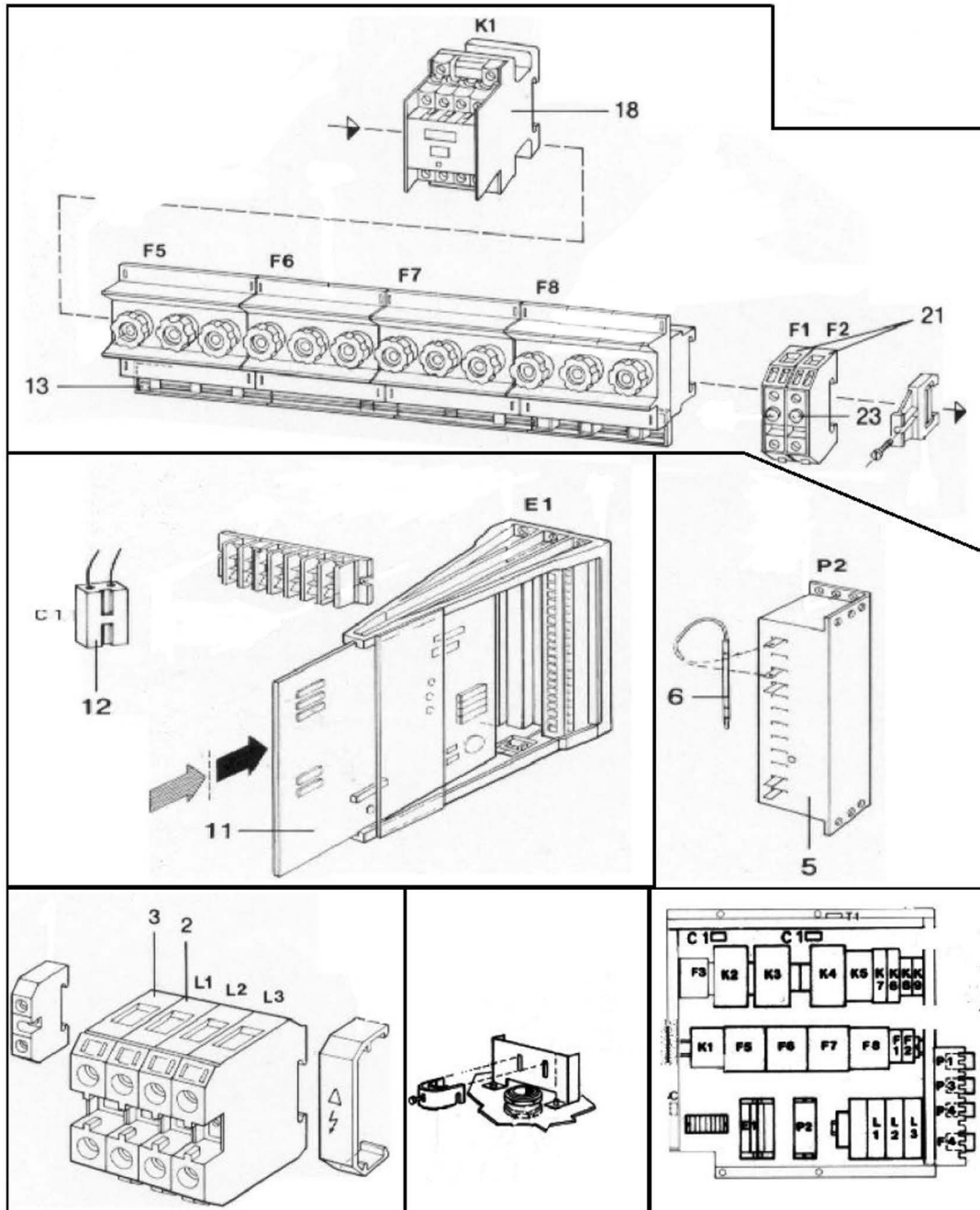
Ref. No.	Part No.	Description	Ref. No.	Part No.	Description
1	R7889	Support, door handle	7	R7942	Screw, socket head cap 3/8-16 x 2-1/2"
2	R1083	Washer, acetal 1.625 ID x 2.040 OD	8	R1079	Washer, flat .8 ID x 1.5 OD s/s
3	R1082	Cam, door handle	9	3136	Bolt, hex head 1/4-20 x 3/4"
4	R7944	Plate, latch mount	11	R0733	Washer, flat 1/4
5	R1080	Spring, disc .8 ID x 1.6 OD	12	R8216	Nut, serrated flange hex 1/4-20
6	R7867	Washer, nickle plated brass, .392 ID x 1 OD	13	R7888	Handle

ELECTRICAL COMPONENTS



Ref. No.	Part No.	Description	Ref. No.	Part No.	Description
3	R7652	Relay, time delay (Blinker) K6		R1571	Contactora, mercury, hot air or steam
4	R2506	Relay, time delay (Motor Start Delay) K7	6	R2876	Terminal block, grey power
	R2506	Relay, time delay (Low Water) K4	9	R0262	Protector, motor PKZ00 Auto Reset F3
	R2506	Relay, time delay (Generator Fill) K5		R5833	Protector, motor PKAM w/Manual Reset F3
	R0143	Contactora, mechanical, air or steam, 240V, K3	15	R9498	Buzzer T1
	R0154	Contactora, mechanical, air or steam, 240V, K3	16	R6988	Suppressor, contactora coil, C1

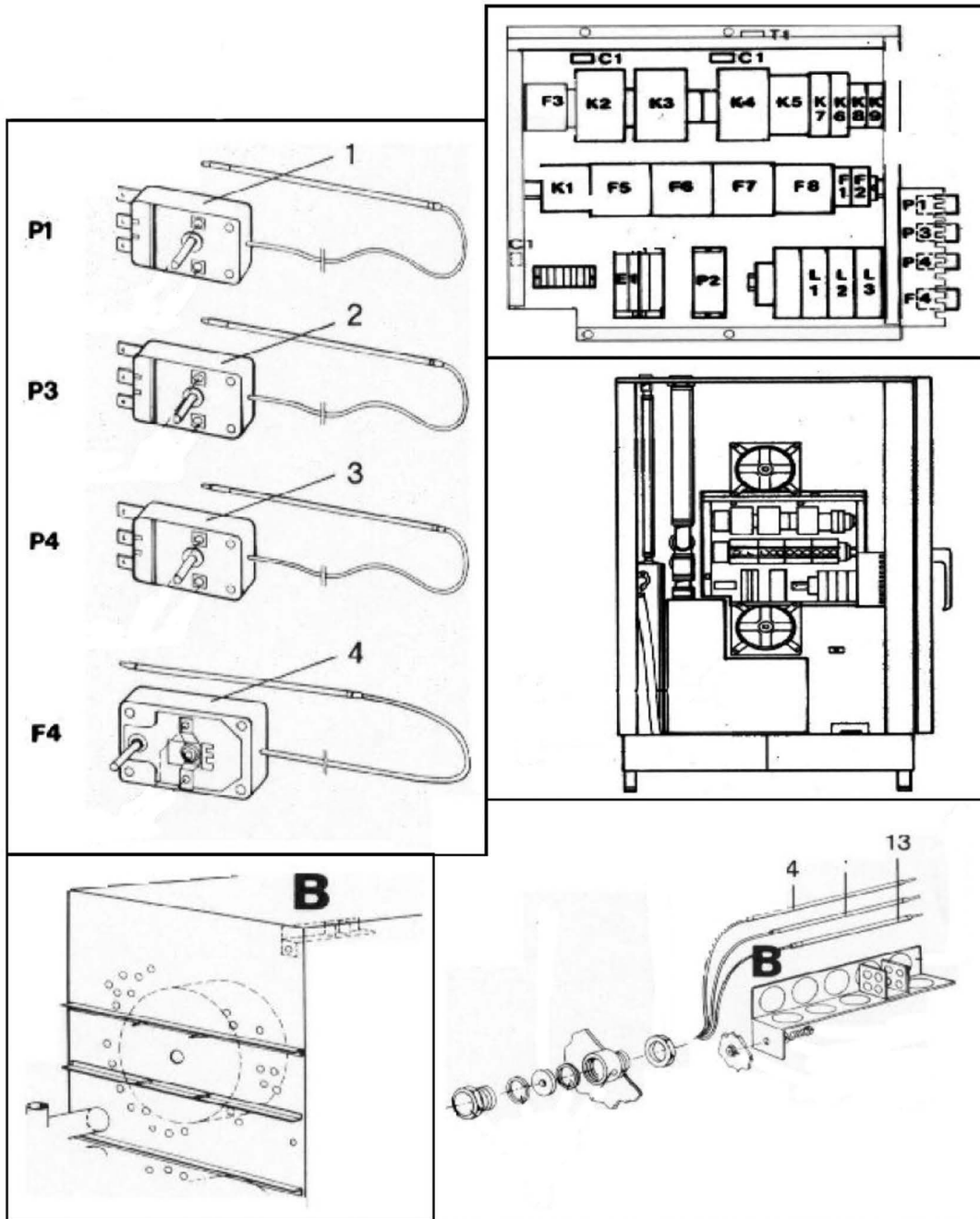
ELECTRICAL COMPONENTS



Ref. No.	Part No.	Description
2	R2876	Terminal Block, Power
3	R2876	Terminal Block, Power
5	R1443	Controller, solid state steam P2
	R1440	Plastic channel, P2
6	R0022	Sensor, temperature, steam P2
11	R1178	Thermostat, hot air P5
12	R0038	Suppressor, RC C1
	R1039	Fuse, 60 amp SC60
	R0197	Fuse, 45 amp SC45

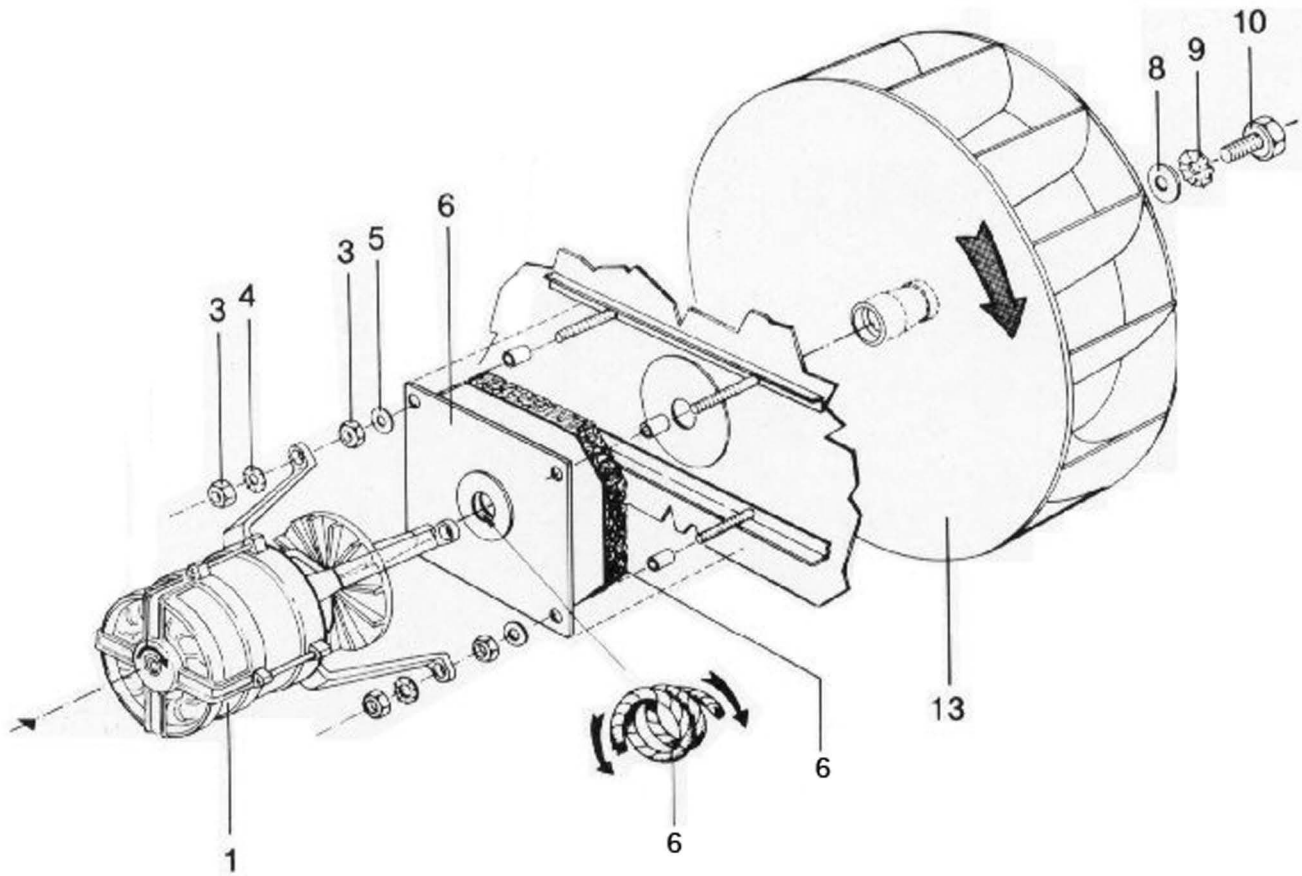
Ref. No.	Part No.	Description
18	51696	Contacteur, motor 208V, K1
	51693	Contacteur, motor 240V, K1
	R1038	Fuse, 30 amp SC30
	R0046	Holder, fuse 1 & 3 amp
	R1581	Holder, fuse 2 amp
23	R0293	Fuse, .5 amp fine wire
	R5773	Fuse, 1 amp 600V FNQR1
	R5774	Fuse, 2 amp 600V
	R0032	Fuse, 3 amp 300V SC3
	R0043	Fuse, 3 amp KTKR3

ELECTRICAL COMPONENTS



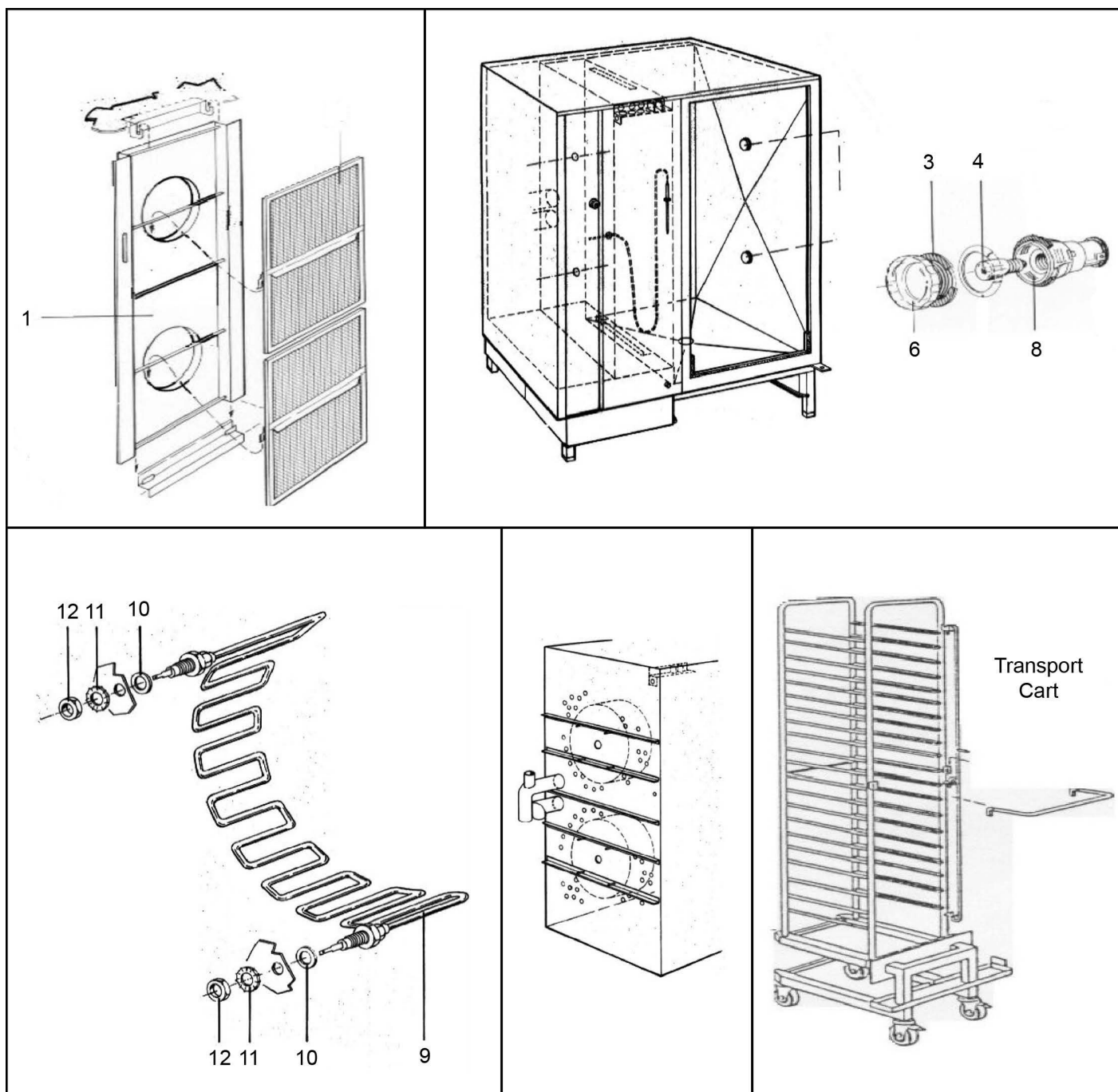
<u>Ref. No.</u>	<u>Part No.</u>	<u>Description</u>
1	R0121	Thermostat, Too Hot To Steam, P1
2	R0118	Thermostat, Pre Heat Priority, P3
3	R0122	Thermostat, Quench, P4
4	R1573	Thermostat, Cooking Compartment F4
13	R1178	Thermostat, hot air P5
	23034	Cooling fan, axial
	M0572	Plug/cord, cooling fan

MOTOR COMPONENTS



Ref. No.	Part No.	Description
1	R0092	Motor, 208/240V, 3ph
	R0081	Motor, 480V, 3ph
	R3025	Heat slinger, motor
3	R0037	Nut, hex motor mounting
4	R0039	Washer, toothed lock
5	R0231	Washer
6	R2328	Packing, motor shaft
8	R0232	Washer, blower wheel
9	R0233	Washer, toothed lock, blower wheel
10	R0034	Screw, hex, blower wheel
13	R1028	Blower wheel

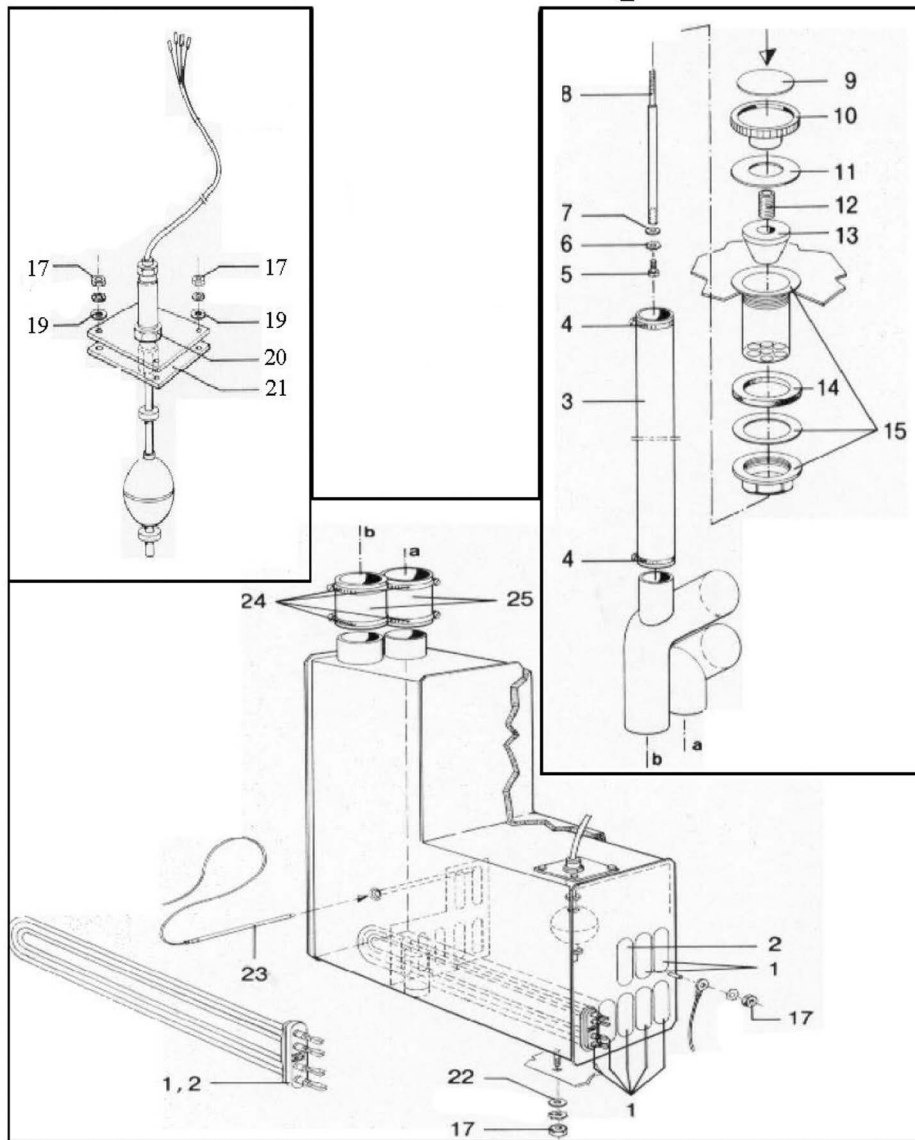
INTERIOR COMPONENTS



Ref. No.	Part No.	Description
	R0131	Interior lamp, complete
1	R4272	Baffle, air
2	R8130	Retrofit kit, baffle and filter assy
	R3760	Filter only, grease 12" x 12"
3	R1497	Gasket, lamp lens
4	R0133	Bulb, heat-resistant
6	R1496	Lens, lamp
	R1498	Lens assy, w/gasket
8	R0132	Socket, lamp
	R0712	Nut, acorn lamp assy

Ref. No.	Part No.	Description
9	R7189	Element, hot air 208V
	R7190	Element, hot air 240V
	R7192	Element, hot air 480V
10	R0098	Washer, copper
11	R0099	Washer, toothed lock
12	R0100	Nut, hex
	R5989	Transport cart, TC-10
	R5792	Transport cart, TC-14
	R5839	Transport cart, TC-20
	R4487	Rack guides, standard SRG (set of 2)
	R5321	Rack guides, universal URG (set of 2)

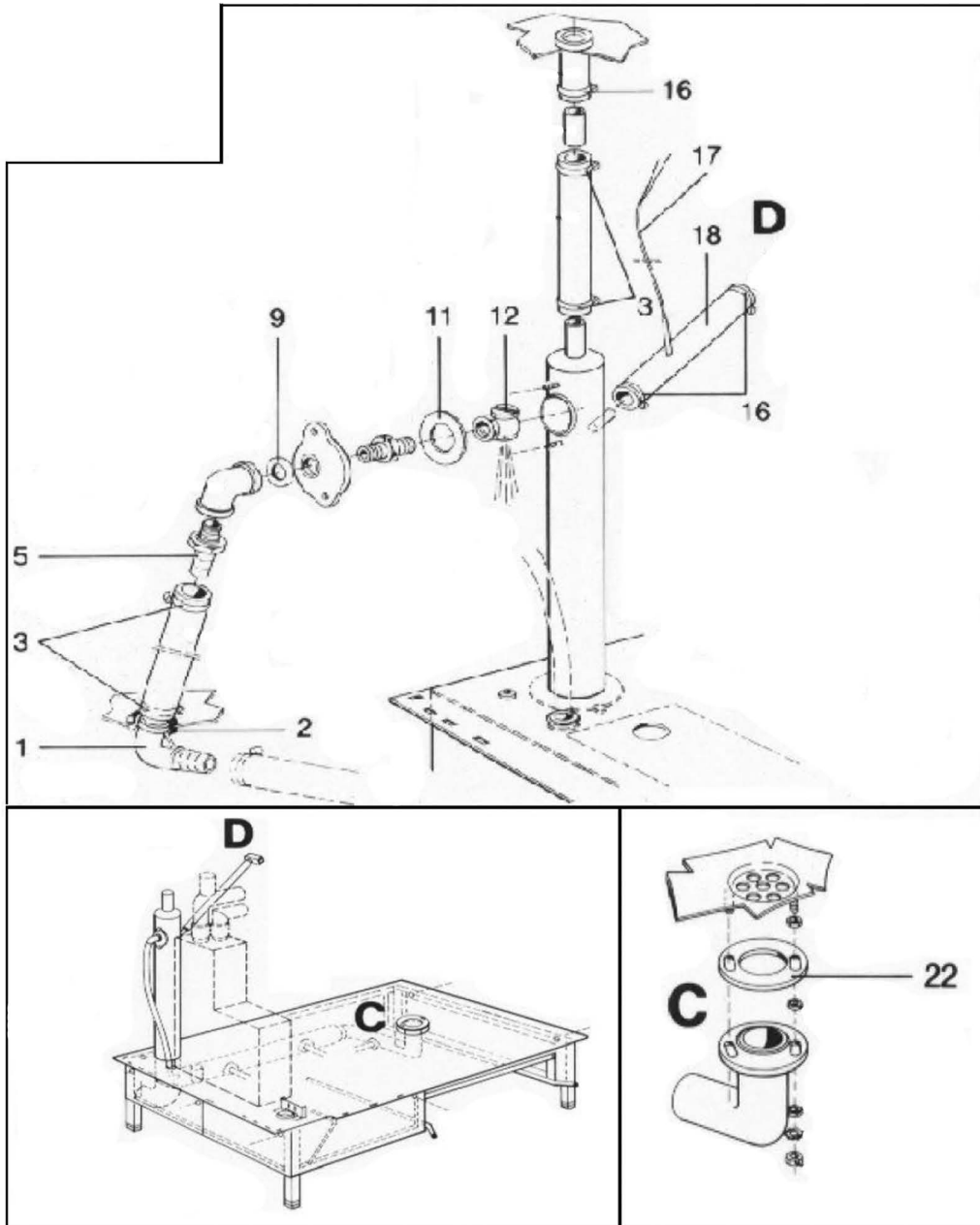
STEAM GENERATOR COMPONENTS



Ref. No.	Part No.	Description
	R0113	Steam generator w/insulation & hi limit
	R0207	Valve assy, decalcifier inlet
1	R2768	Element Assy, Steam 208V 3kw
	R2771	Element Assy, Steam 240V 3kw
	R2770	Element Assy, Steam 480V 3kw
2	R2769	Element Assy, Steam 208V 1.5kw
	R2772	Element Assy, Steam 240V 1.5kw
	R4432	Element Assy, Steam 480V 1.5kw
3	R2814	Hose, steam outlet 1-3/8" ID (per foot)
4	R0082	Clamp, hose
	NOTE: Parts 5-15 are all included in Assy R0207.	
5		Screw, hex socket head
6		Washer, spring
7		Washer
8		Guide bar
9		Cover, plate aluminum
10		Handle, plastic, safety valve

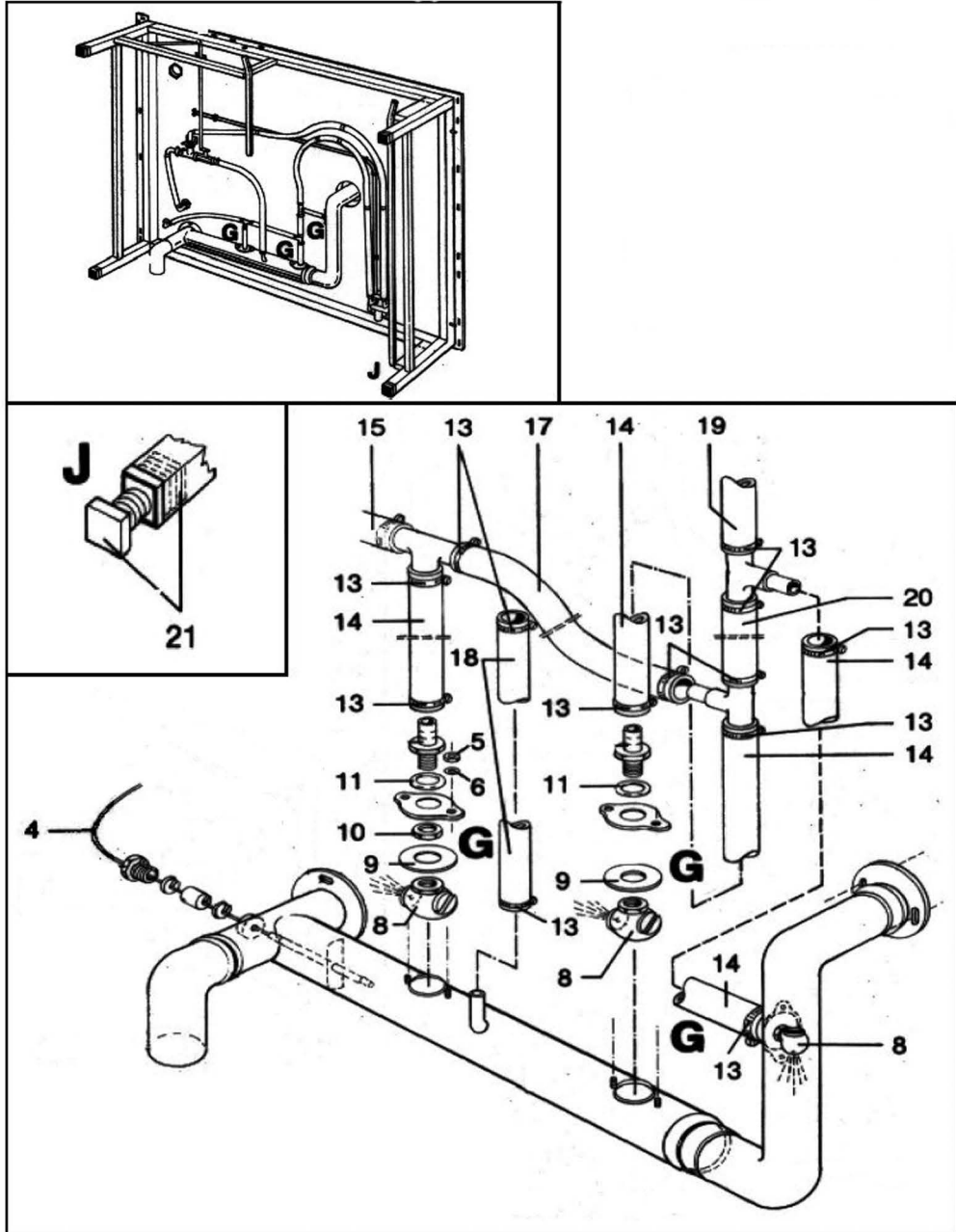
Ref. No.	Part No.	Description
11		Gasket
12		Thread insert
13		Cone, safety valve
14		Gasket
15		Valve body, safety
	R8397	Level Switch Assy Retrofit
	R0920	Plate, float switch
	15882	Nut, hex 1/4-20 level switch plate
17	R0035	Nut, hex switch plate
19	1265	Washer
20	R0071	Nut, hex switch plate
21	R1491	Gasket, float switch
22	R0733	Washer, flat strap
23	R0118	Thermostat, Pre Heat Priority P3
	R1480	Thermostat, high limit (snap disc)
	R2630	Thermostat, high limit (capillary bulb)
24	R0082	Clamp, hose
25	R2814	Hose, 1-3/8" ID (per foot)

PLUMBING COMPONENTS



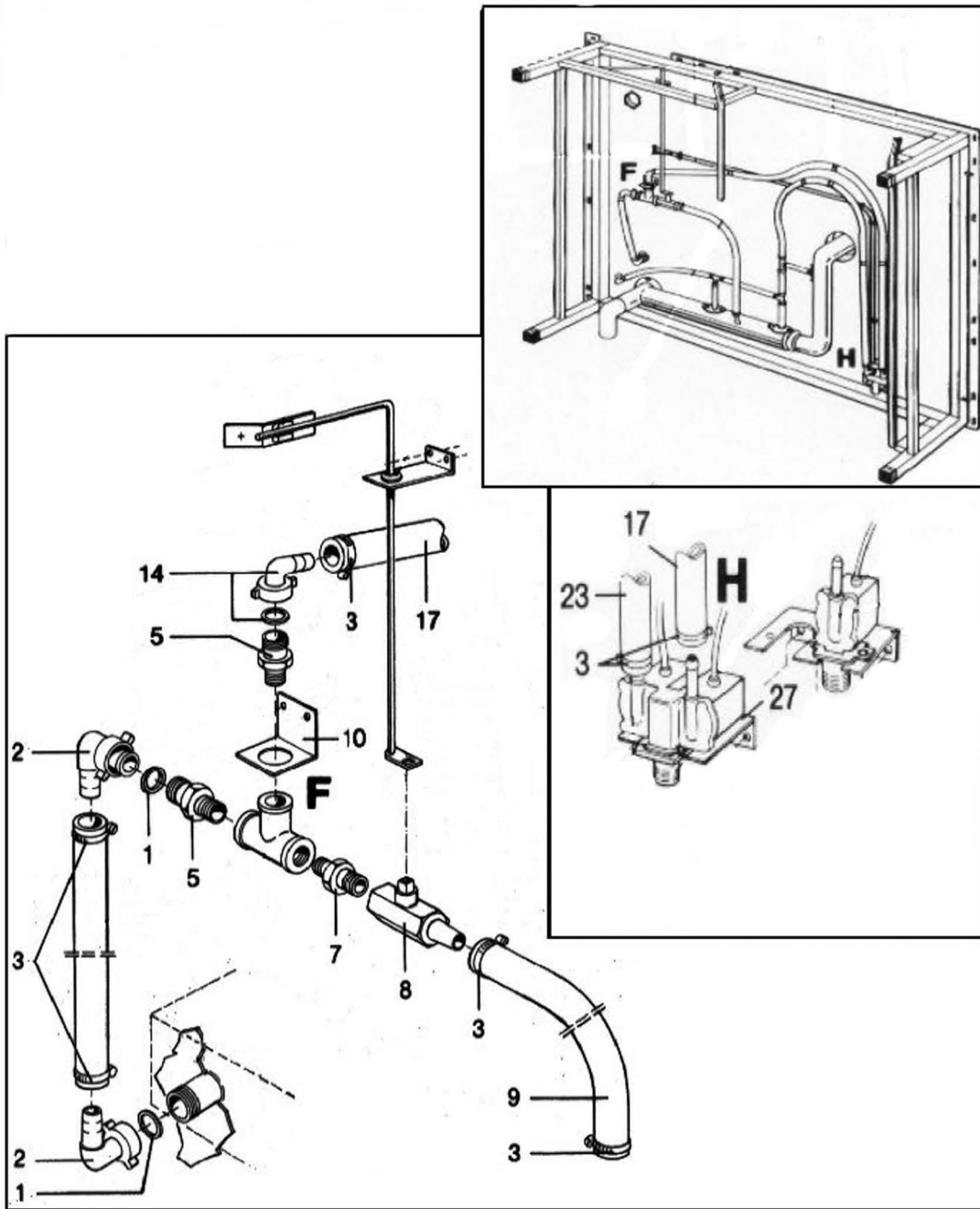
Ref. No.	Part No.	Description
1	R1086	Elbow, fitting
2	R1085	Washer, elbow
3	R0080	Clamp, hose
5	R5071	Fitting, hose 3/8"
9	R0068	Gasket
11	R3755	Gasket
12	R0062	Nozzle, quench
	R0061	Nozzle, quench
16	R0082	Clamp, hose
17	R0022	Sensor, steam controller P2
18	R2814	Hose, silicon 42mm (per foot)
22	R1672	Gasket, drain

PLUMBING COMPONENTS



Ref. No.	Part No.	Description
4	R0122	Thermostat, quench
8	R0062	Nozzle, quench
	R0061	Nozzle, quench
9	R3755	Gasket
11	R0068	Gasket
13	R0080	Clamp, hose
14	R2812	Hose, 10mm (per foot)
15	R2812	Hose, 10mm (per foot)
17	R2812	Hose, 10mm (per foot)
18	R2812	Hose, 10mm (per foot)
19	R2812	Hose, 10mm (per foot)
20	R2812	Hose, 10mm (per foot)
21	R0070	Foot, adjustable

PLUMBING COMPONENTS



Ref. No.	Part No.	Description
1	R1086	Sealing ring, elbow fitting
2	R1085	Elbow fitting
3	R0080	Clamp, hose
NOTE: Parts 5, 7 and 10 are included in Assy R1918		
5	R1918	Nipple, 1/2" x 3/4"
7	R1918	Double nipple, 1/2"
8	R0075	Ball Valve
9	R2812	Hose, 10mm (per foot)

Ref. No.	Part No.	Description
10	R1918	Holder, T-fitting
14	R0076	Elbow, generator drain valve
17	R2812	Hose, 10mm (per foot)
23	R2812	Hose, 10mm (per foot)
	R2522	Solenoid Valve, dual
	R2997	Solenoid Valve, Conversion kit single to double
27	R2567	Holder, double solenoid valve
	R2202	Boot, drain manifold connecting 2"
	R2207	Clamps, drain boot
	R11210	Pressure regulator