



**COS-5H & COS-5HB
COMBI OVEN
REPLACEMENT PARTS LIST**

EFFECTIVE FEBRUARY 20, 2012

Superseding All Previous Parts Lists.

The Company reserves the right to make substitution in the event that items specified are not available.

ERRORS: Descriptive and/or typographic errors are subject to correction.

BLODGETT OVEN COMPANY

44 Lakeside Avenue, Burlington, Vermont 05401 USA Telephone: (802) 658-6600 Fax: (802) 860-3732
www.blodgett.com

P/N 55202 Rev A

SERIAL NUMBER LOCATION / KEY:

IMPORTANT: When ordering parts, please provide the model, gas type, voltage and serial number of the oven. The identification plate is located on the left side of the control compartment.

SERIAL NUMBERS CONTAINING:

HV

HY

EXAMPLE:

0216HV23T OR B

0216HV23S

TO OBTAIN LITERATURE:

Email: literature@blodgett.com

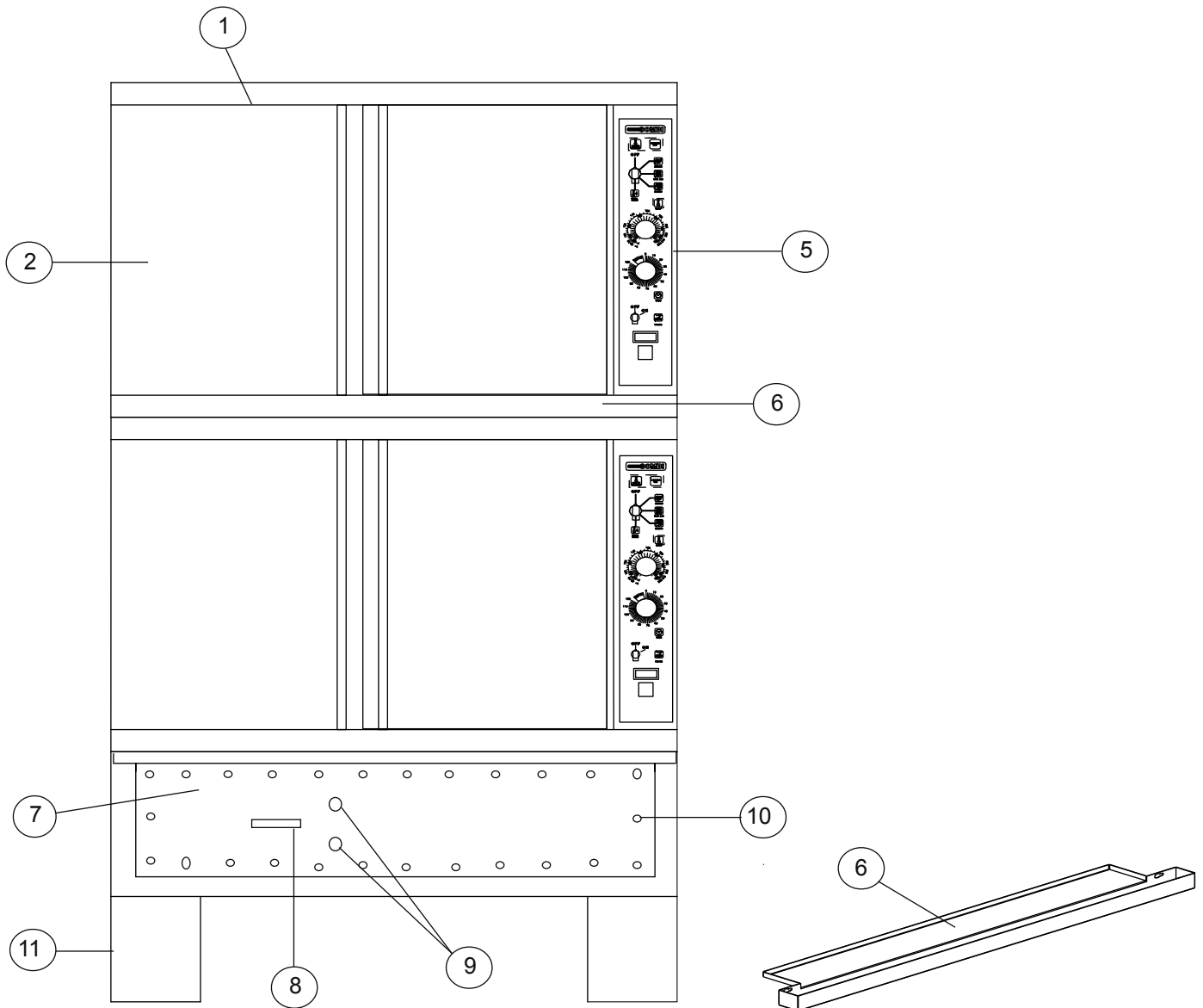
or visit

www.blodgett.com

TABLE OF CONTENTS

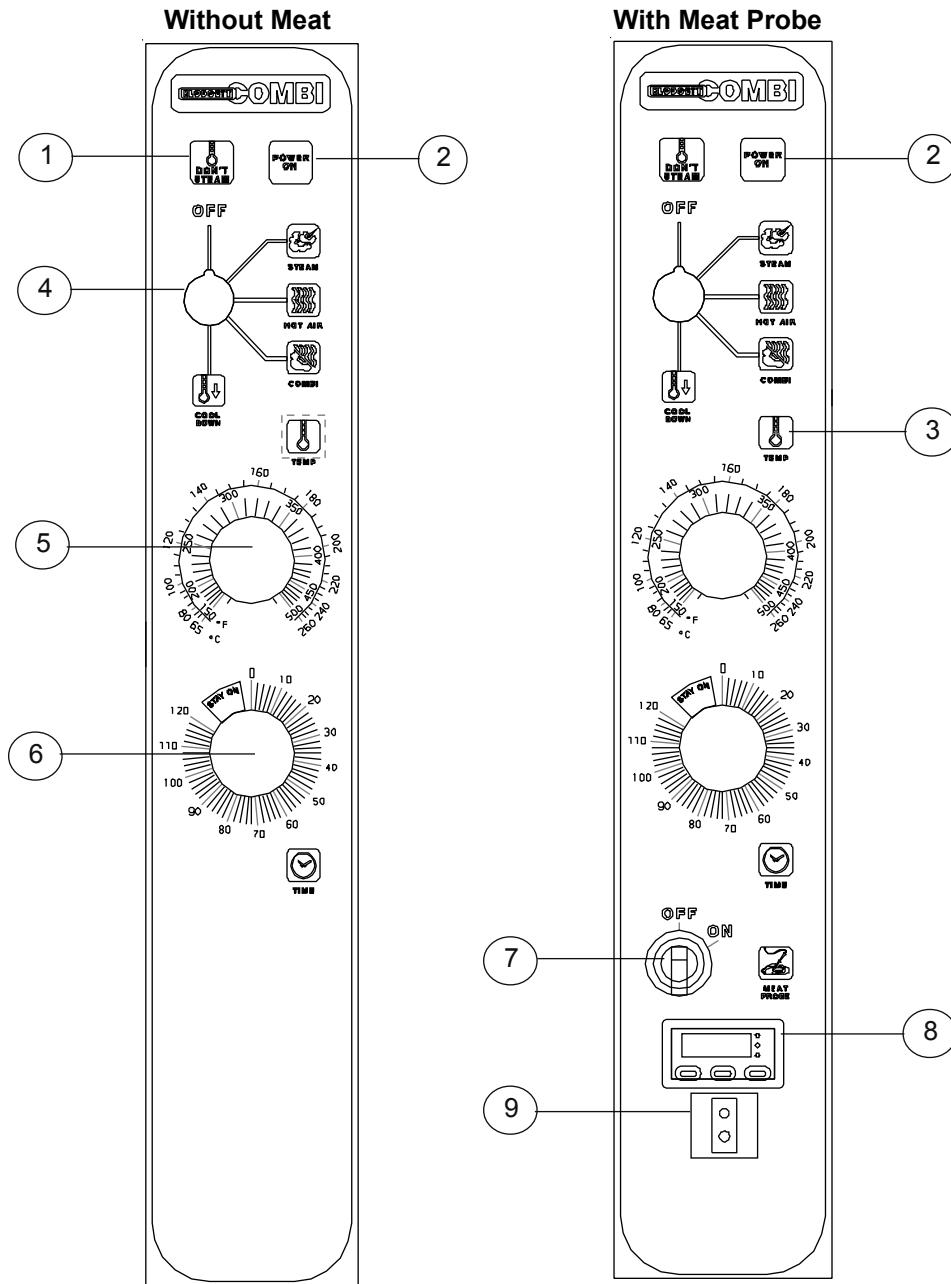
EXTERIOR COMPONENTS	PAGE 4
CONTROL PANELS	PAGE 5
DOOR COMPONENTS	PAGE 6
ELECTRICAL COMPONENTS	PAGE 9
STEAM SUPPLY COMPONENTS	PAGE 10
MOTOR & HOT AIR ELEMENTS	PAGE 11
INTERIOR COMPONENTS	PAGE 12
SLIDE TRAY COMPONENTS	PAGE 13
INSTALL BASE COMPONENTS	PAGE 16
SCHEMATICS	PAGE 17

EXTERIOR COMPONENTS



Ref. No.	Part No.	Description
1	23190	Crown, trim piece, top section s/s
2	R7564	Body side, RH
5	R7046	Control panel w/mp
	R7471	Control panel w/o mp
	R7566	Handle, control panel
6	R7033	Drip pan
7	R4872	Gasket, cover slide tray (per foot)
8	R7566	Handle, slide tray
9	R9859	Port, delimiting
	R9577	Spacer, delimiting port
10	16384	Screw, cover slide tray
11	R7882	Install base, 18" leg option
	R7876	Install base, 14" leg option
	R7875	Install base, 8" leg option
	R7881	Install base, 6" leg option
	R7596	Install base, floor option

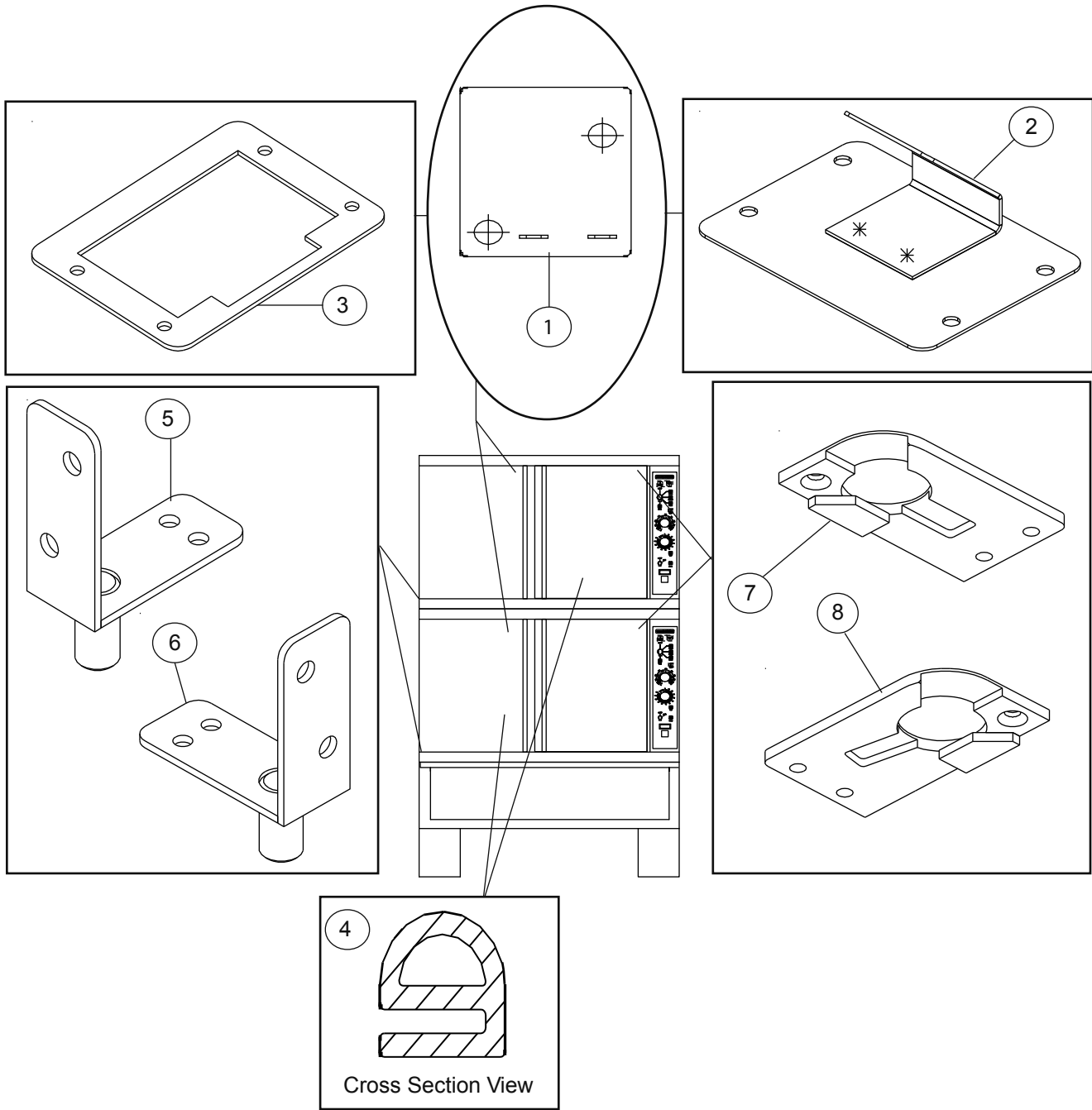
CONTROL PANELS



Ref. No.	Part No.	Description
	R7450	Decal, standard with out meat probe
	R7027	Decal, standard with meat probe
1	R0226	Indicator light, clear "Don't Steam"
2	R1318	Indicator light, green "Power On"
3	R0226	Indicator light, clear "Temp"
4	R4623	Switch, mode 4 position
	R8515	Knob & shaft assy, mode switch
5	R2666	Timer, 120 minute, 230V, 60hz
	16686	Knob, timer
6	R6407	Controller kit, hot air, 150-500 degrees P5
	R6004	Controller only, hot air, 150-500 degrees
	16686	Knob, hot air controller
	5805	Screw, machine 6-32x3/8 UNPLT

Ref. No.	Part No.	Description
	R7319	Probe, thermistor hot air controller
	R3992	Gasket, hot air probe
7	R7198	Switch, on/off meat probe
8	R5242	Controller, meat probe
9	R5219	Connector, panel jack, meat probe
10	R5315	Probe, meat plug in type
	R5218	Harness, meat probe
	R5325	Wire, thermocouple
	R6988	Suppressor, arc
	R6987	Harness, control panel
	R2792	Relay, SPST 240V (not shown)
	R7519	Varistor assy, 275V
	R9498	Buzzer, 240V

DOOR COMPONENTS

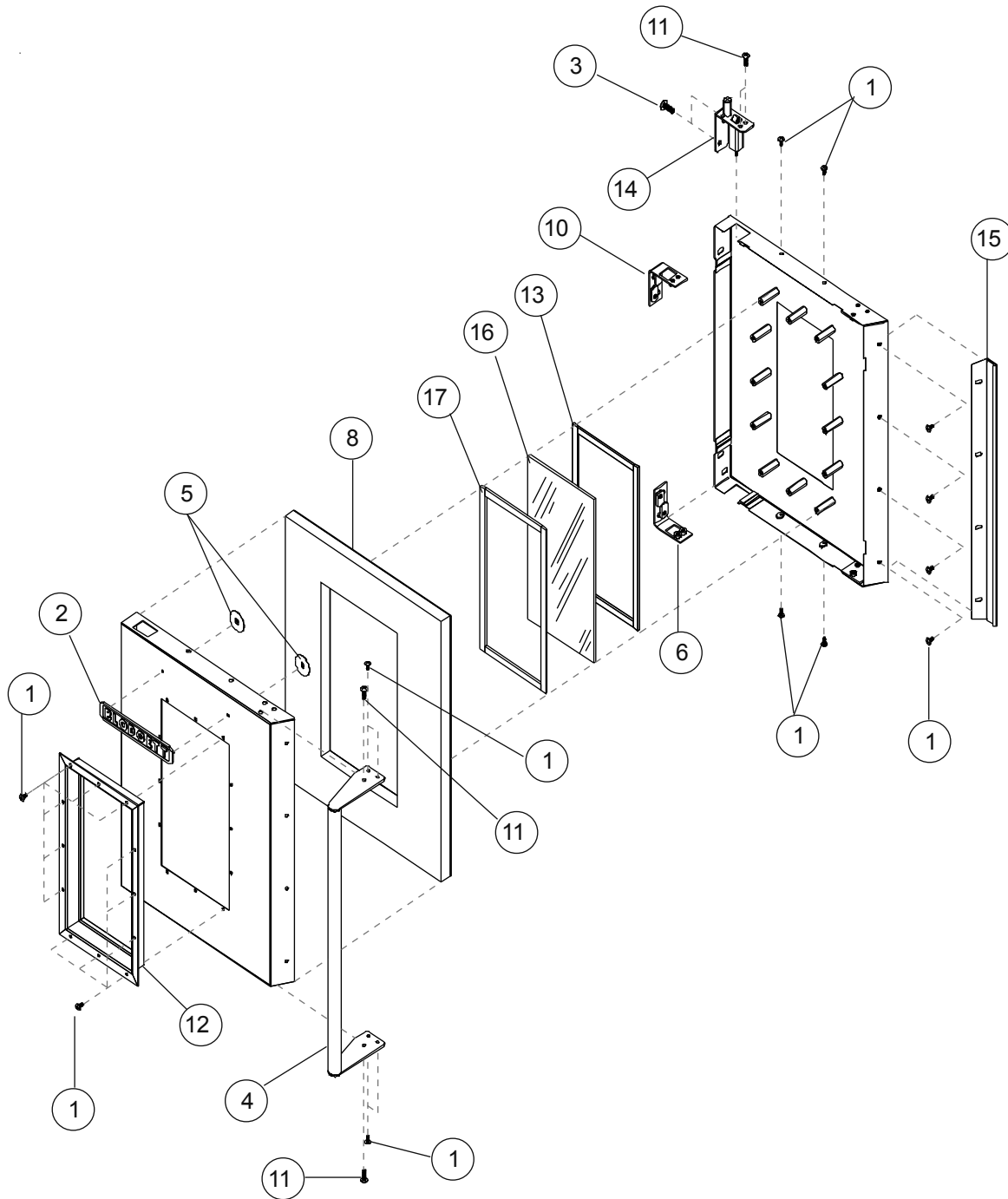


Ref. No.	Part No.	Description
1	31485	Switch, door proximity
2	R6825	Plate assy, switch
3	R7321	Gasket, door switch
4	R6722	Gasket, door cavity
	R3774	Retainer strip, gasket mounting horizontal
	R6770	Retainer strip, gasket mounting vertical
5	R6756	Bracket assy, LH Botm
6	R6758	Bracket assy, RH Botm

Ref. No.	Part No.	Description
7	R6760	Plate assy, LH Top
8	R6763	Plate assy, RH Top
	R7199	Bushing, spacer
	R7297	Shim, door catch .03
	R7299	Shim, door catch .06
	R7748	Spacer, door pivot
	15932	Bearing, .627 ID x 3/4 long

DOOR COMPONENTS

LEFT HAND DOORS ONLY

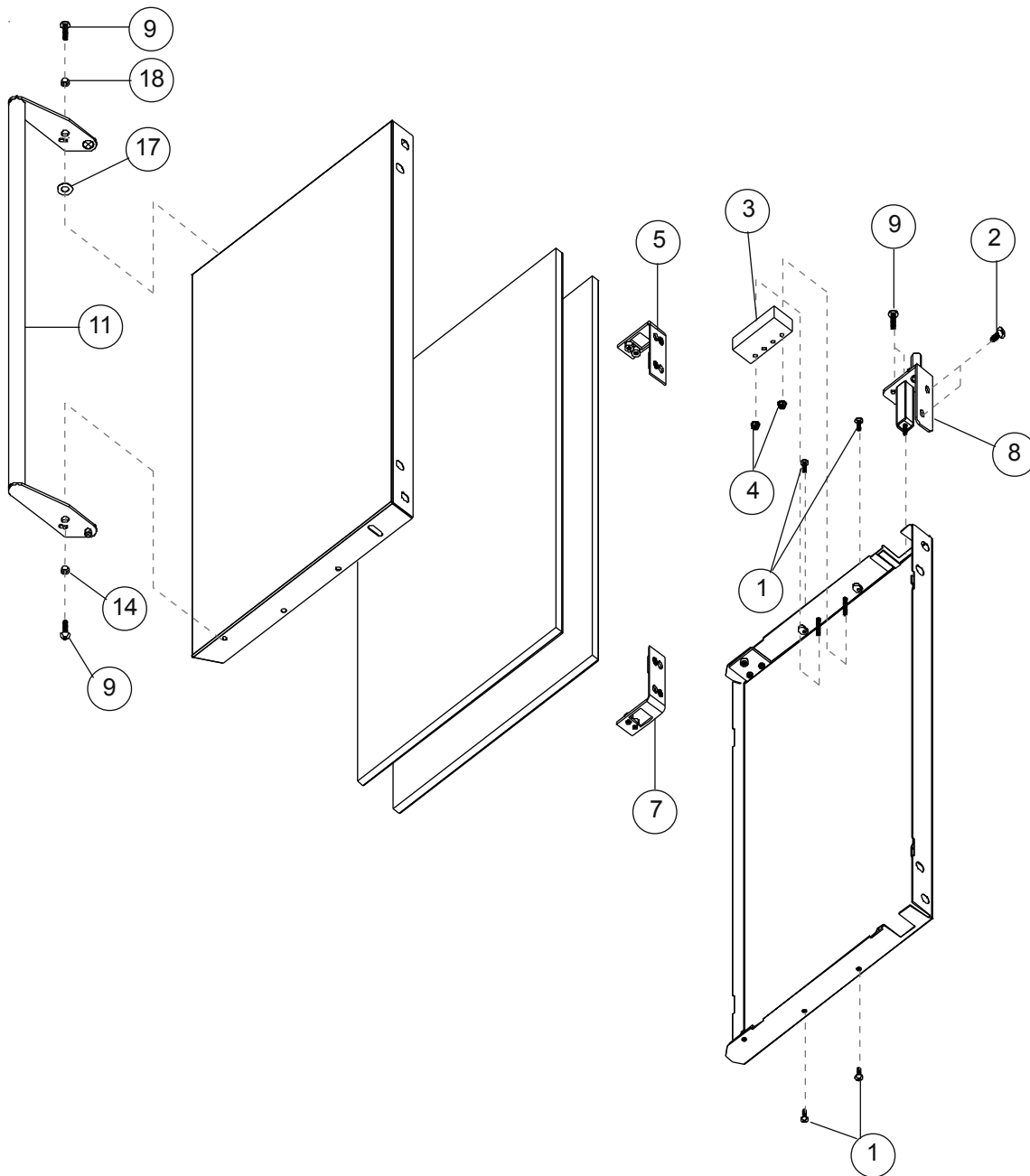


Ref. No.	Part No.	Description
1	16384	Screw, machine 10-24 x .5
2	16469	Nameplate, Blodgett
3	R7586	Screw, truss head, 5/16 -18 x 1
4	R7820	Handle assy, LH
5	R2160	Nut, speed
6	R6701	Plate assy, inner door
8	R8414	Insulation

Ref. No.	Part No.	Description
10	R6714	Plate assy, inner door
11	R7589	Screw, truss head, 1/2-20 x .75
12	R8298	Trim assy, window
13	R8819	Gasket, silicone .50 x .13
14	R7037	Bracket assy, LH top
15	R7121	Gasket assy, door center
16	R8304	Glass, window
17	R8421	Gasket, silicone .50 x .18

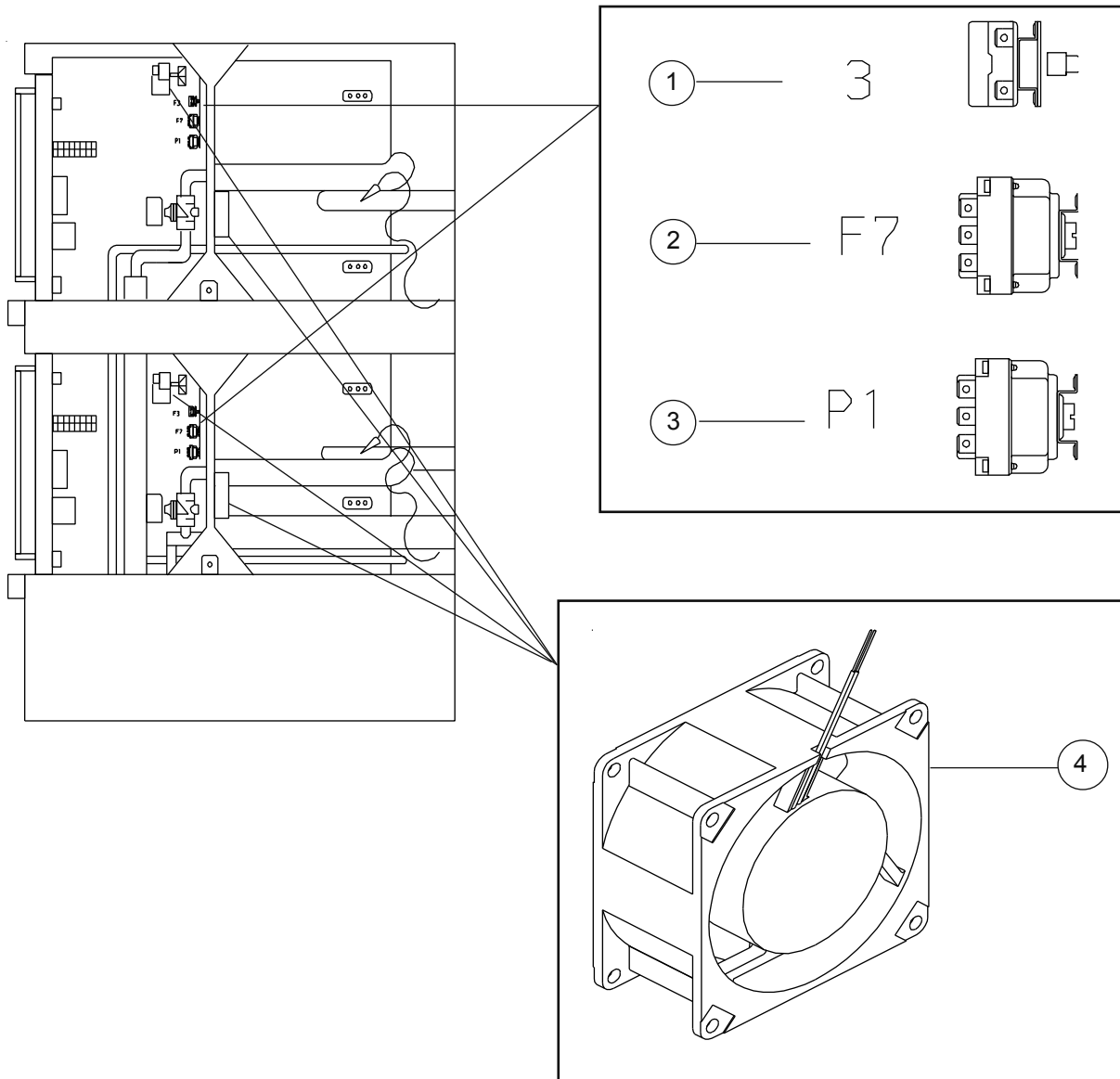
DOOR COMPONENTS

RIGHT HAND DOORS ONLY



Ref. No.	Part No.	Description
1	16384	Screw, machine 10-24 x .5
2	R7586	Screw, truss head 5/16-18 x 1
3	31486	Actuator, proximity switch
4	M3649	Nut, keps 10-24
5	R6701	Plate assy, inner door
7	R6714	Plate assy, inner door
8	R6757	Door bracket assy, RH top
9	R7589	Screw, truss head 1/4-20 x .75
11	R7207	Handle assy, RH welded
14	R7748	Spacer, door pivot

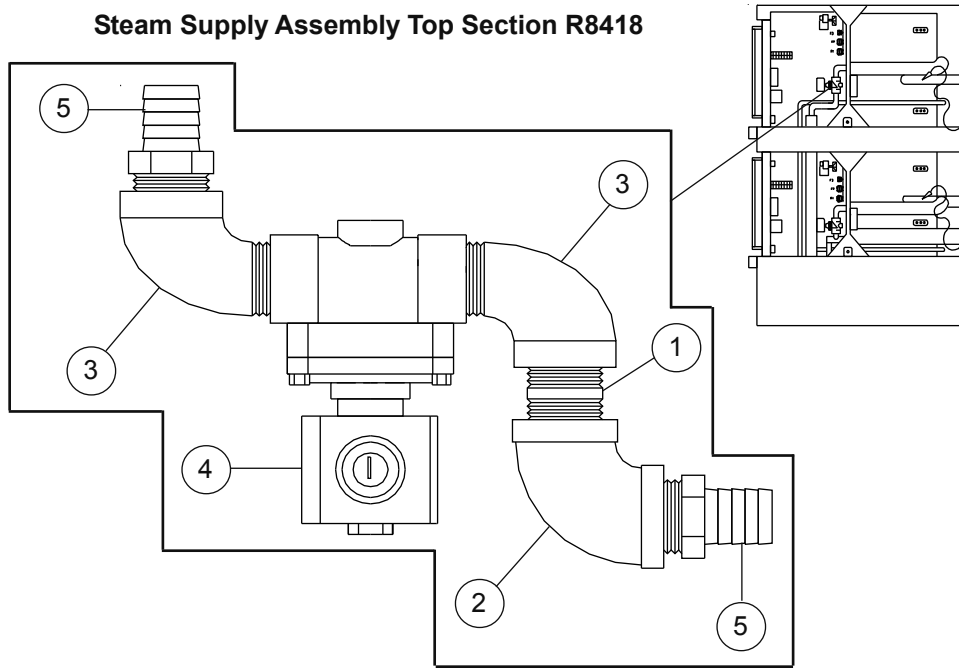
ELECTRICAL COMPONENTS



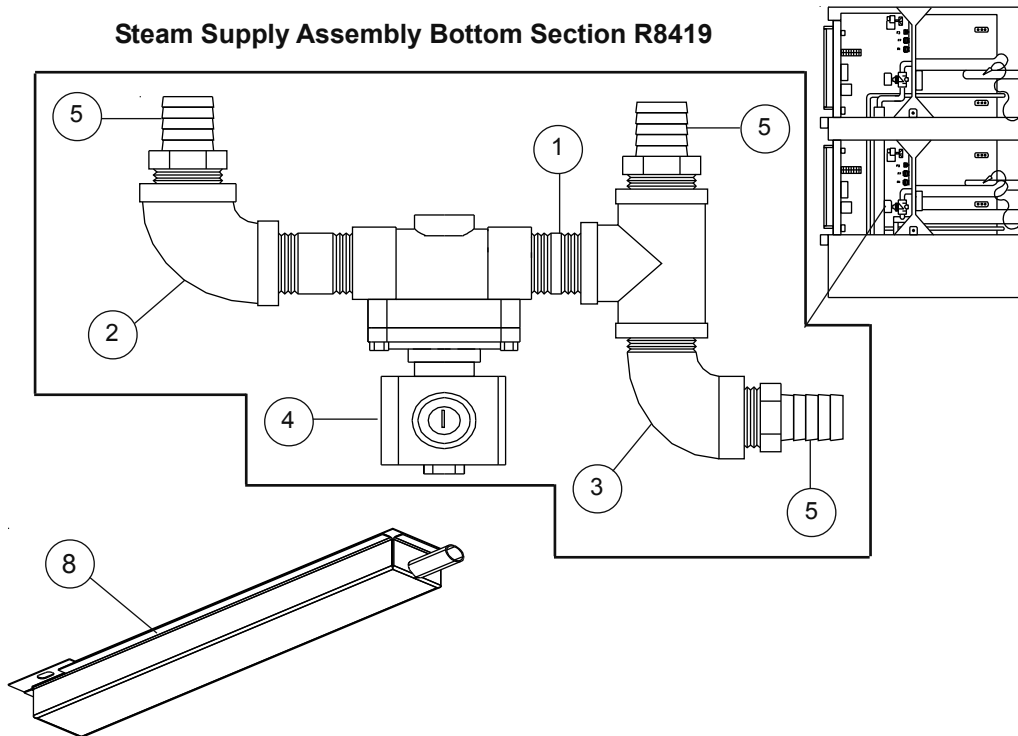
Ref. No.	Part No.	Description
1	R1573	Thermostat, cooking compartment F3
2	R3662	Thermostat, Electrical compartment F7
3	R2801	Thermostat, Too hot to steam P1
	23034	Cooling fan, 230V 4" axial
	M0571	Guard, cooling fan
	R7406	Hose, 3/4" silicone (per inch)

STEAM SUPPLY COMPONENTS

Steam Supply Assembly Top Section R8418

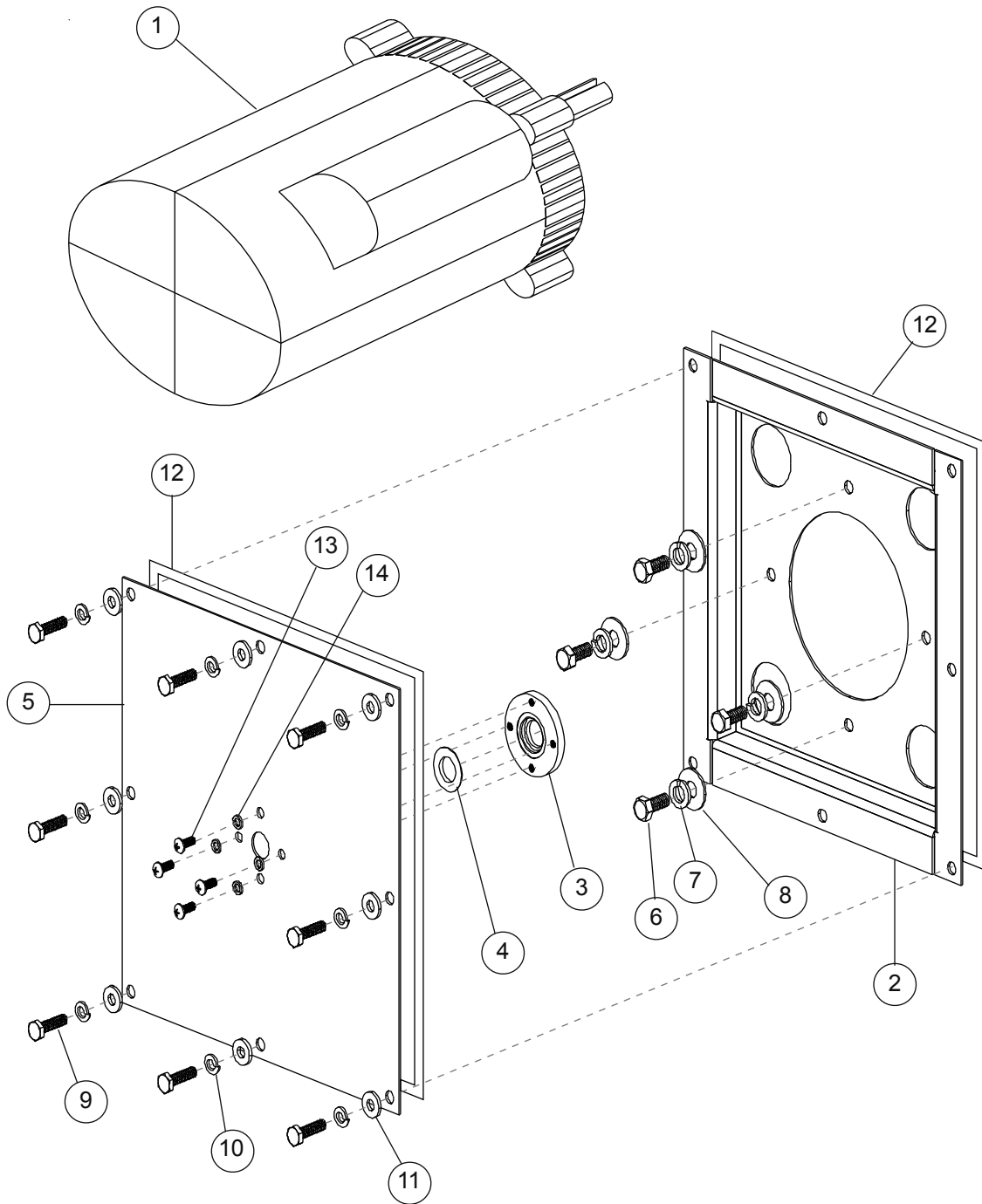


Steam Supply Assembly Bottom Section R8419



Ref. No.	Part No.	Description
1	R6281	Nipple, 3/4 NPT x 1-1/2
2	R6285	Elbow, 3/4 NPT
3	R6290	Elbow, street 3/4 NPT
4	R7255	Valve, 240V 60hz
5	R7360	Fitting, 3/4 x 3/4 NPT barbed
	R7406	Hose, 3/4 ID (per foot)
	R0254	Clamp, hose 3/4 - 1-1/2"
8	R6780	Quench box assy
	R2868	Drain gasket, cavity

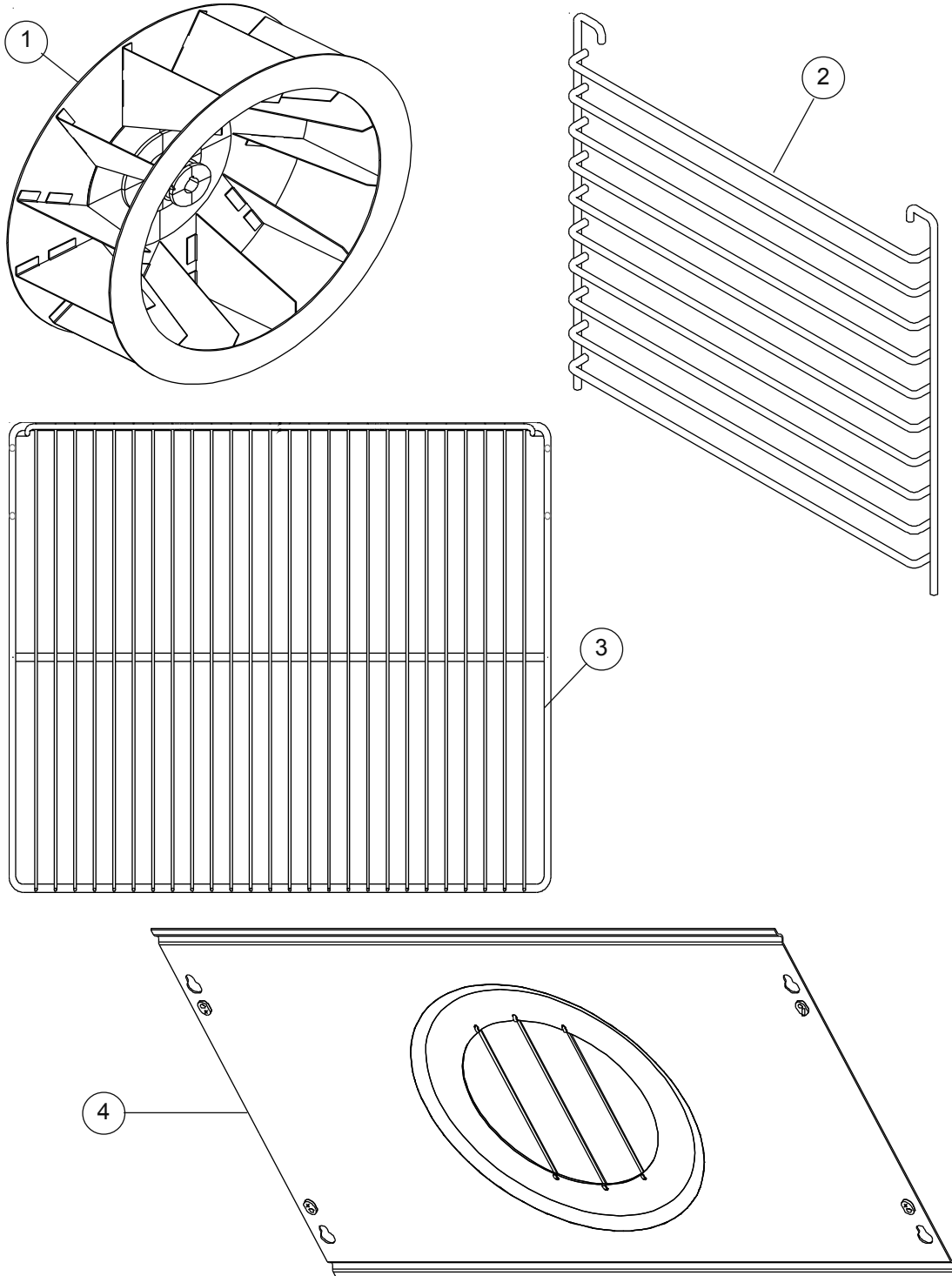
MOTOR & HOT AIR ELEMENTS



Ref. No.	Part No.	Description
	R5840	Motor & plate assy
1	R4920	Motor, 480V
2	R8154	Bracket, motor mount
3	R8955	Retainer, seal
4	R4244	Seal, motor shaft
5	R8205	Plate, insulation cover
6	20559	Bolt, 3/8-16 x 3/4 hex head
7	M0229	Washer, 3/8 lock
8	R2292	Washer, 3/8 flat

Ref. No.	Part No.	Description
9	R3932	Bolt, 1/4-20 x 1 hex head
10	M0417	Washer, 1/4 lock
11	R0733	Washer, 1/4 flat
12	R8423	Sealant, 1/4-3/16 goretex (per foot)
13	R8956	Screw, machine 10-232 x .5 phillips head
14	R0726	Washer, #10 lock
	R5769	Tool, motor shaft alignment
	39743	Element assy, hot air
	R7289	Gasket, element plate

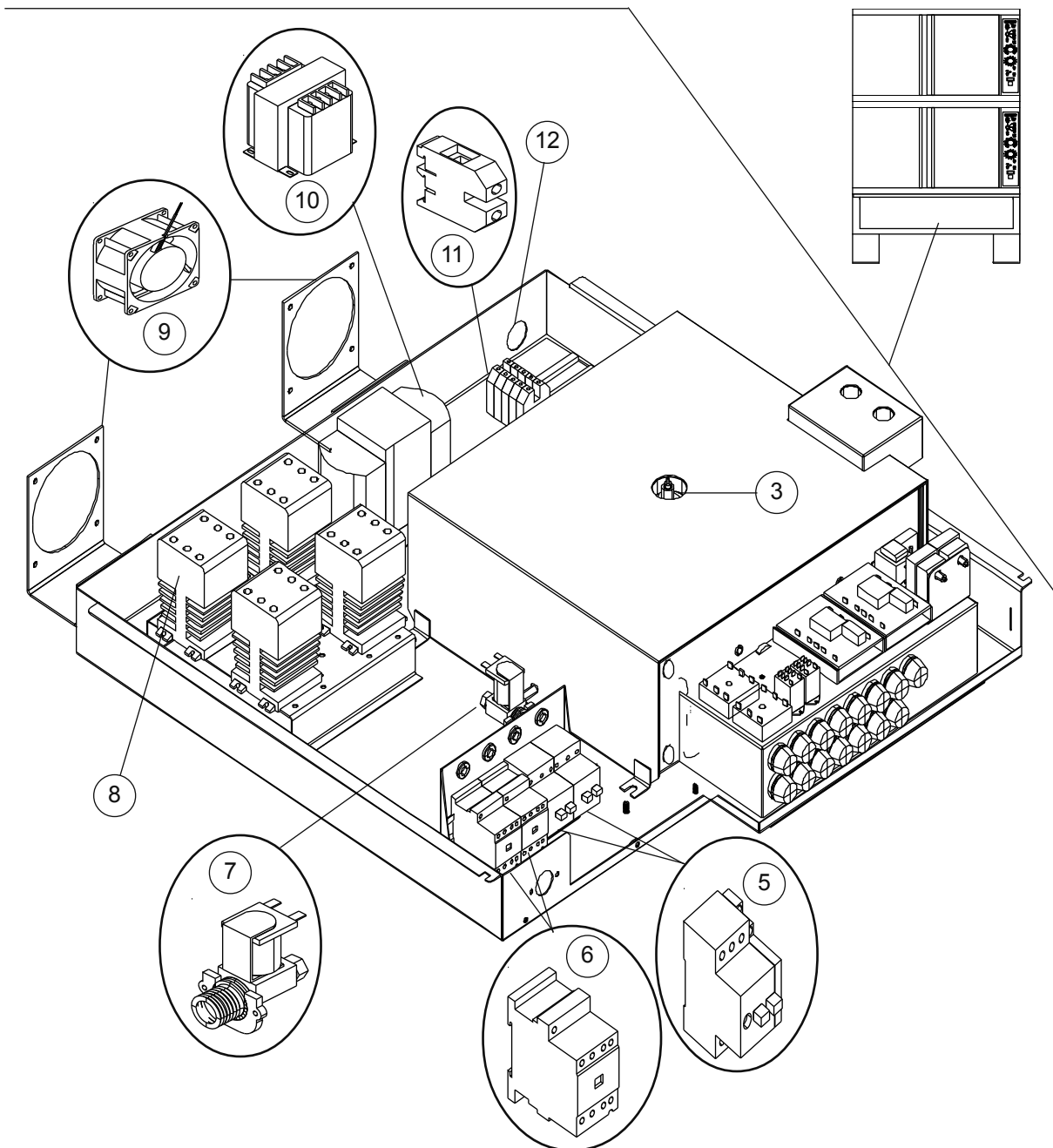
INTERIOR COMPONENTS



Ref. No.	Part No.	Description
1	R7049	Blower wheel, s/s
	R4771	Gasket, blower wheel mounting
2	R7219	Rack holder
3	R3664	Wire rack
4	R7213	Baffle assy

SLIDE TRAY COMPONENTS

CONTACTORS, MOTOR PROTECTORS, TRANSFORMER, TERMINAL BLOCKS

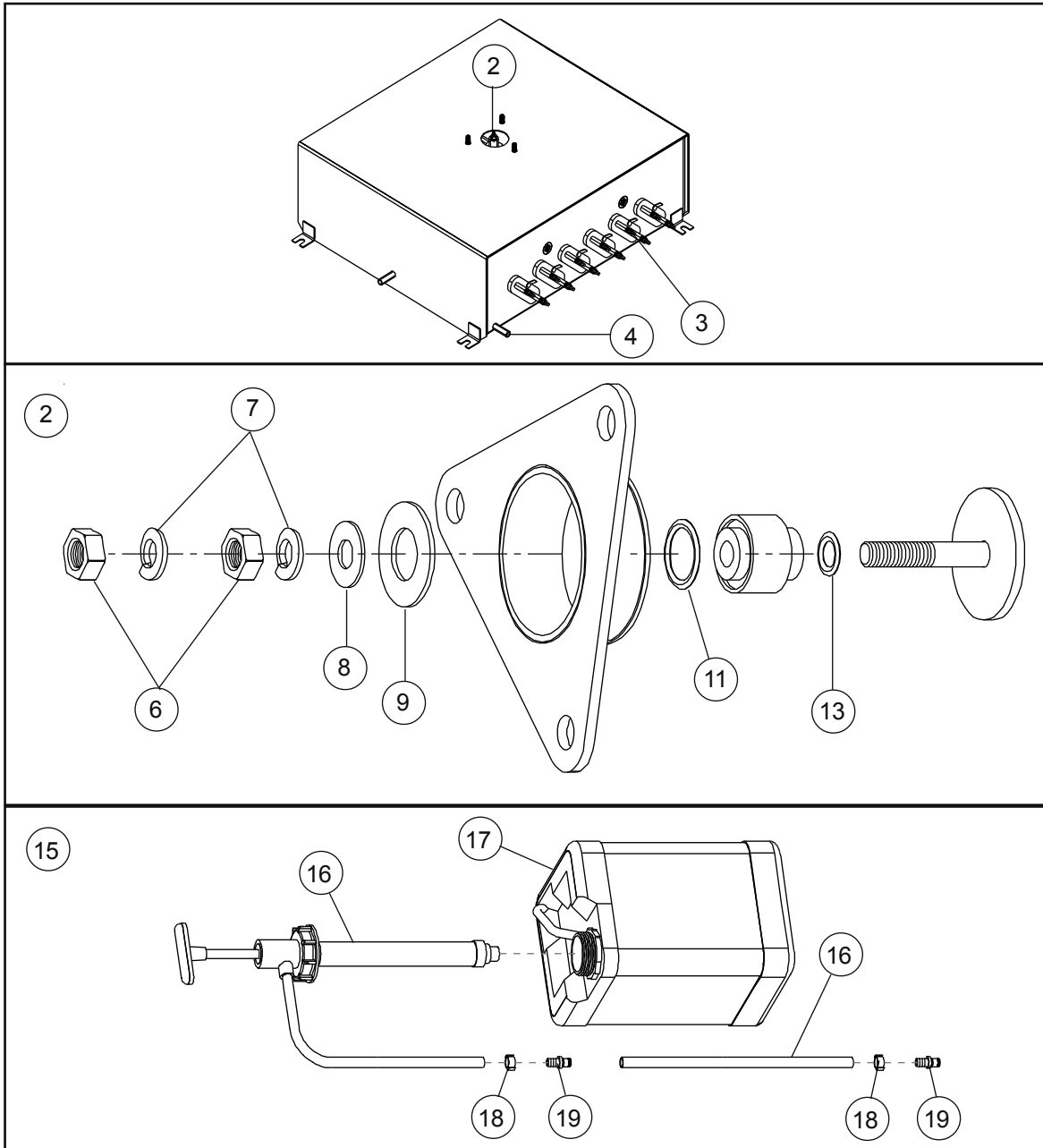


<u>Ref. No.</u>	<u>Part No.</u>	<u>Description</u>
3	R8093	Probe assy, level sensing
5	R2128	Protector, motor F2
6	51693	Contactora, motor 240V K1
7	R5078	Valve, solenoid
	R1270	Screw
	R0726	Washer, lock
	R8952	Tube, flex 3/8 x 6"
	R4160	Fitting, compression union
8	R6566	Contactora, elements
9	23034	Cooling fan

<u>Ref. No.</u>	<u>Part No.</u>	<u>Description</u>
	M0571	Guard, cooling fan
10	R2051	Transformer
	16384	Screw, #10-24 x 3/8
	M1820	Washer, flat #10
	R7579	Nut, 10-24 w/nylon insert
11	R1586	Terminal block, power
	R1580	Stop, end
12	R0048	Connector, 2 screw
	R6983	Harness, base to oven
	R7566	Handle, base front

SLIDE TRAY COMPONENTS

STEAM GENERATOR & LEVEL PROBE

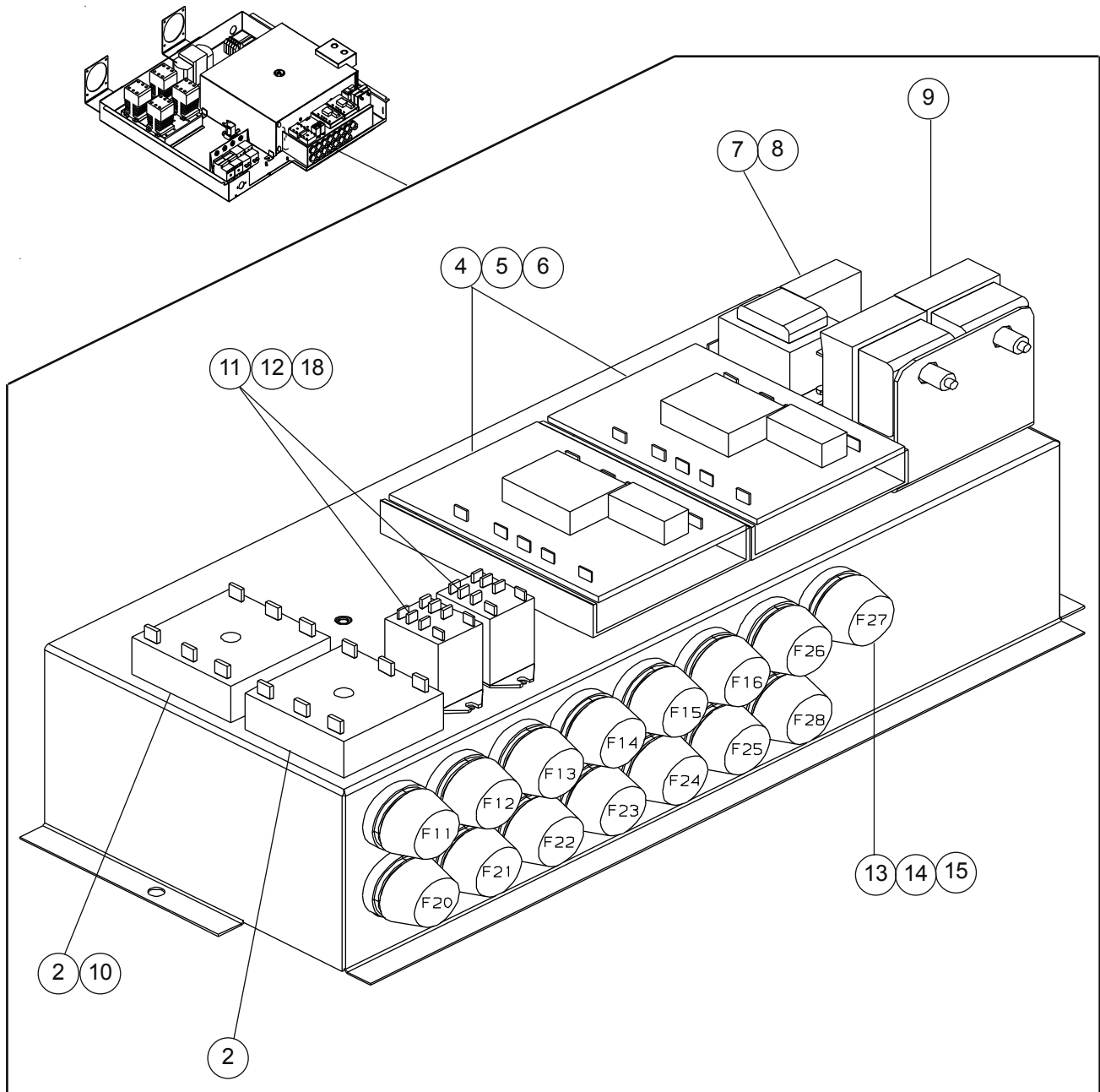


Ref. No.	Part No.	Description
2	R8093	Level probe assembly
3	R6562	Element, steam
4	R8081	Connector, 1/2" NPT barbed
6	M0231	Nut, hex 1/4 - 20 UNC -28 s/s
7	M0417	Washer, lock 1/4 s/s
8	R0733	Washer, flat 1/4 s/s
9	R8092	Washer, teflon

Ref. No.	Part No.	Description
11	R9445	O-ring, 014 EPDM-70
13	R9444	O'ring, 010 EPDM-70
15	R9601	Delimiting bottle assy
16	R8860	Hand pump assy
17	R8861	Bottle, delimiting
18	R8875	Clamp, hose
19	R8084	Fitting, male hose, barbed
	R9859	Coupling, in line female, delimiting port
	R9577	Spacer, delimiting port

SLIDE TRAY COMPONENTS

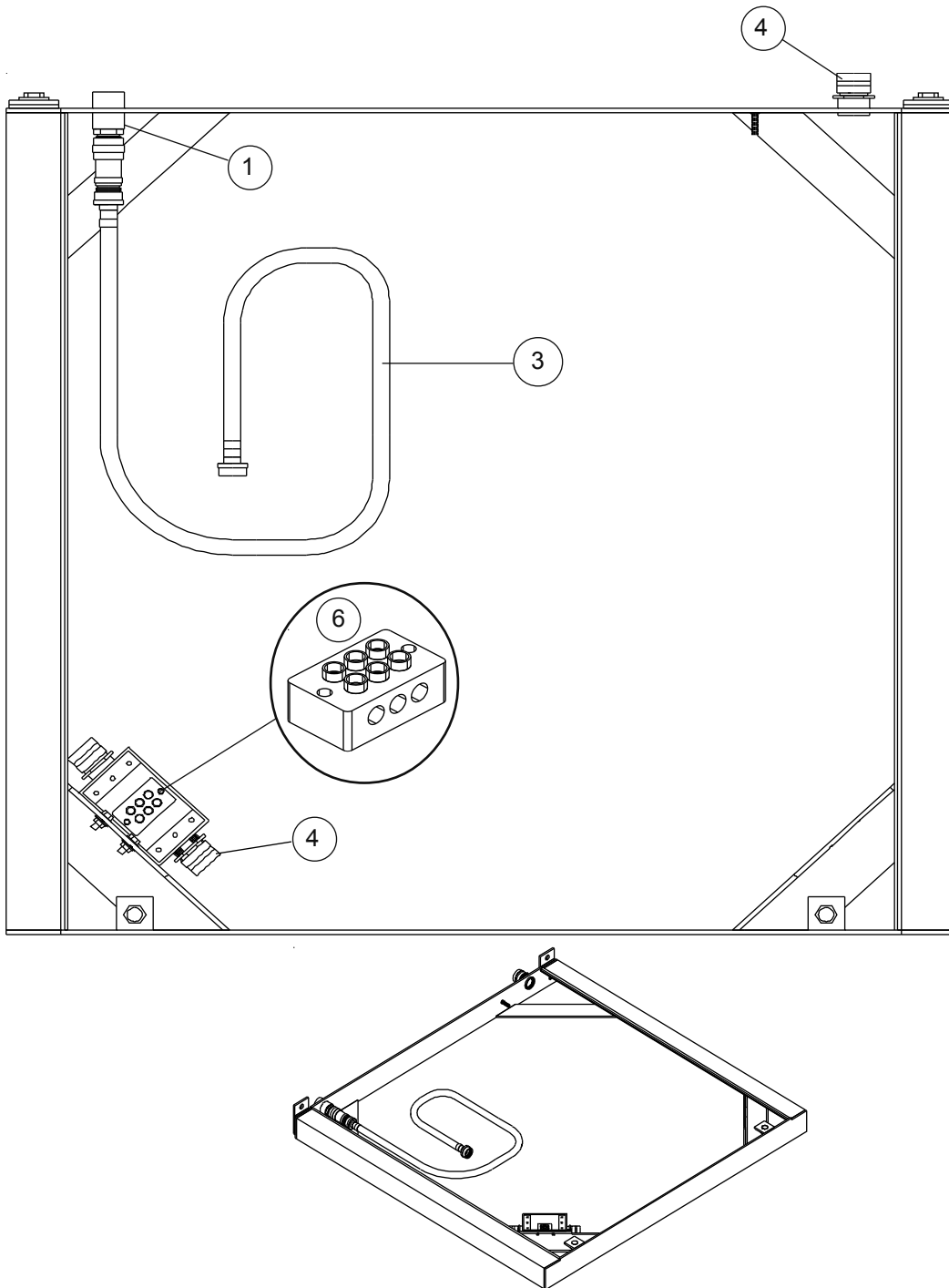
ELEMENT COVER TRAY ASSEMBLY



Ref. No.	Part No.	Description
2	R5305	Timer, 2 second delay
3	R7250	Timer, 3 minute/10 second delay
4	R1443	Steam control, P2 w/potentiometer
5	R1440	Channel, plastic P2
	R0022	Sensor, P2
6	20785	Screw
7	R5708	Control, water level sensing

Ref. No.	Part No.	Description
8	18268	Standoff
9	R2630	Thermostat, boiler high limit F6
11	R2792	Relay
12	6271	Screw
13	20442	Holder, fuse
14	R7532	Fuse, 20 amp solid state
15	R5774	Fuse, 2 amp time delay
18	R7519	MOV assembly

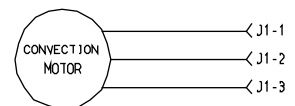
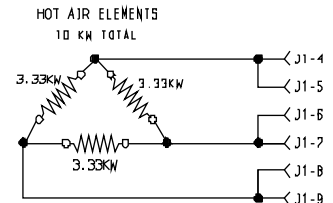
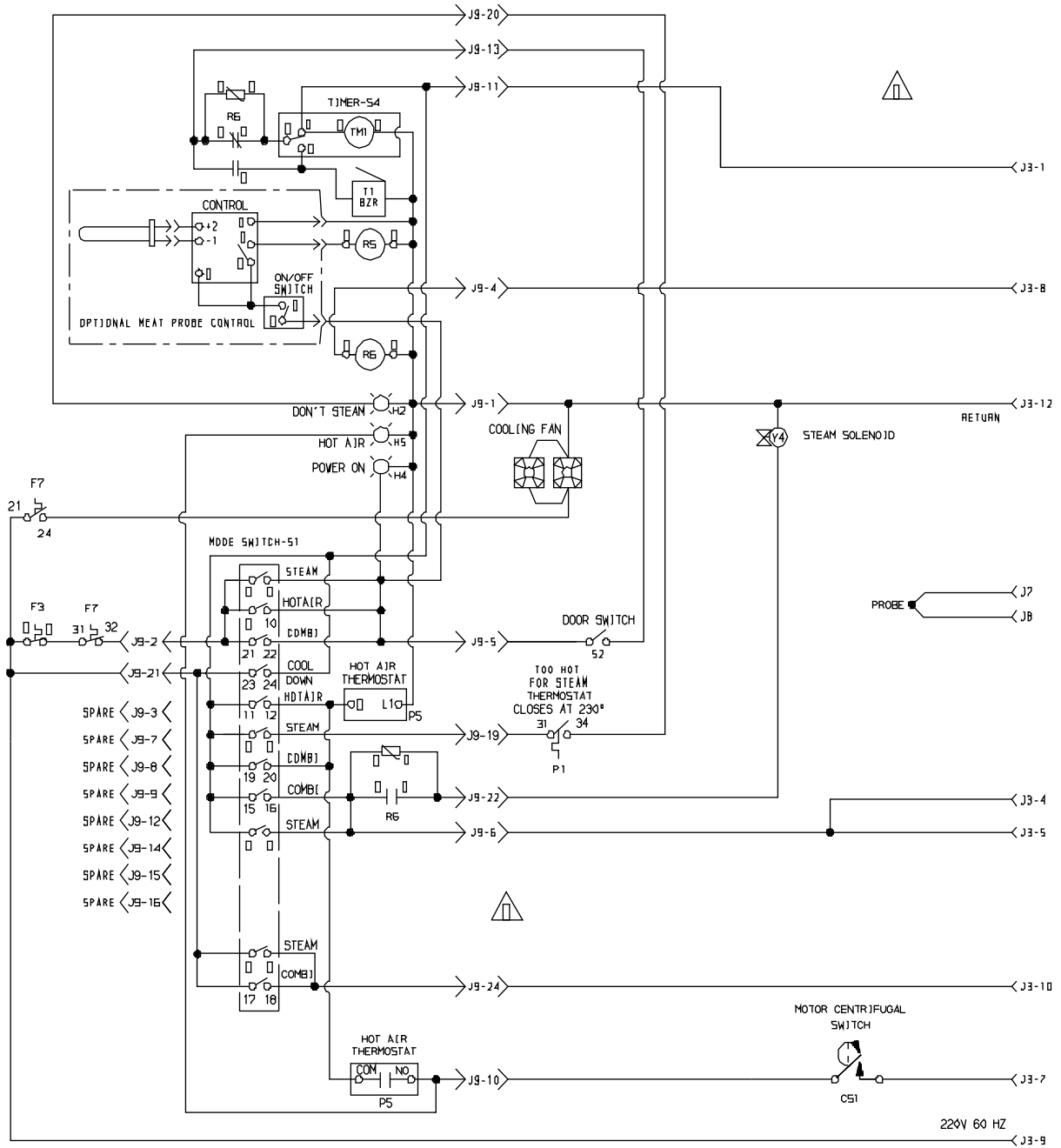
INSTALL BASE COMPONENTS



Ref. No.	Part No.	Description
1	R7749	Fitting, male 3/4"
3	R9853	Hose, water inlet
4	R7815	Fitting, liquid tight cord
6	5281	Terminal block

SCHEMATIC

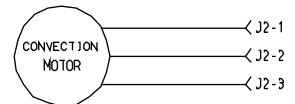
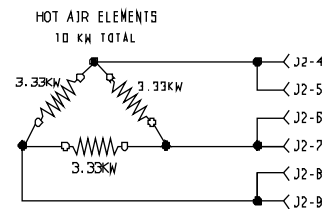
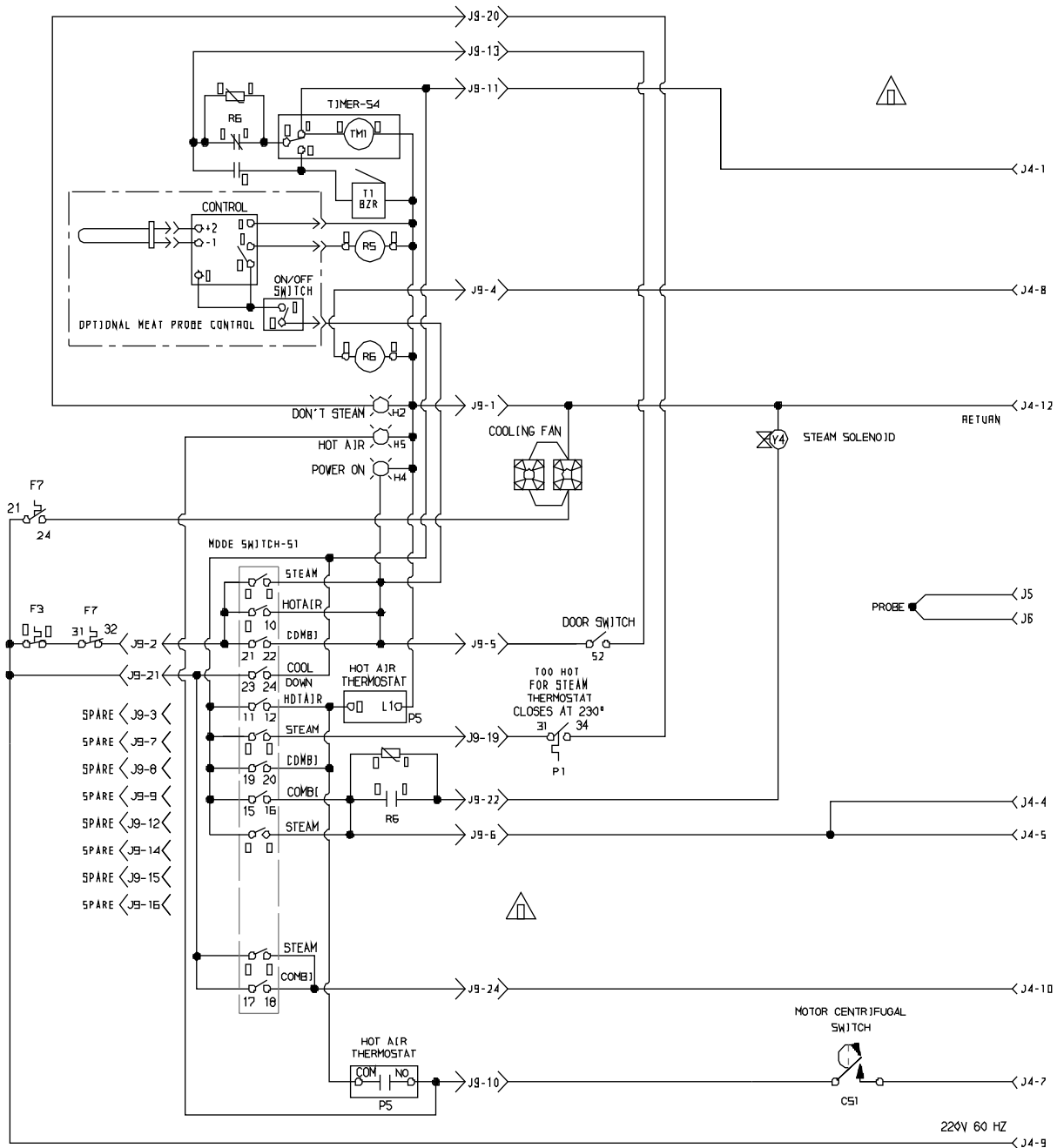
TOP OVEN SECTION



R6575 PART 1 OF 3 REV H

SCHEMATIC

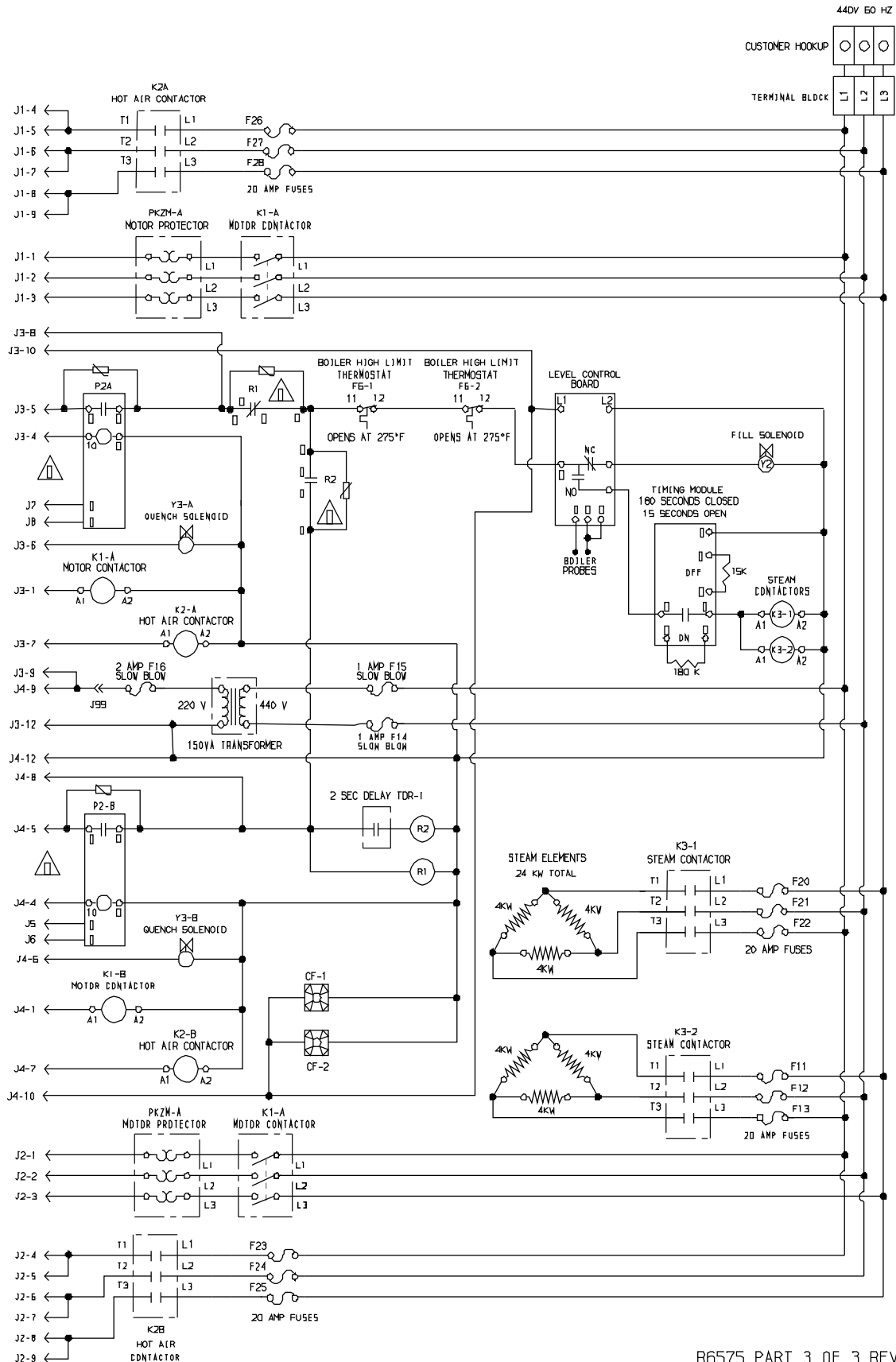
BOTTOM OVEN SECTION



R6575 PART 2 DF 3 REV H

SCHEMATIC

BASE SECTION



R6575 PART 3 OF 3 REV H