



**COS-6  
NON-SELF FLUSHING COMBI  
REPLACEMENT PARTS LIST**

**EFFECTIVE FEBRUARY 15, 2012**

Superseding All Previous Parts Lists.

The Company reserves the right to make substitution in the event that items specified are not available.

ERRORS: Descriptive and/or typographic errors are subject to correction.

---

**BLODGETT OVEN COMPANY**

44 Lakeside Avenue, Burlington, Vermont 05401 USA Telephone: (802) 658-6600 Fax: (802) 860-3732  
[www.blodgett.com](http://www.blodgett.com)

*P/N 55183 Rev A*

## **SERIAL NUMBER LOCATION / KEY:**

**IMPORTANT:** When ordering parts, please provide the model, gas type, voltage and serial number of the oven. The identification plate is located on the left side of the control compartment.

## **SERIAL NUMBERS CONTAINING:**

**006**

**06M**

**H**

### **EXAMPLE:**

**021896H023S**

### **TO OBTAIN LITERATURE:**

Email: [literature@blodgett.com](mailto:literature@blodgett.com)

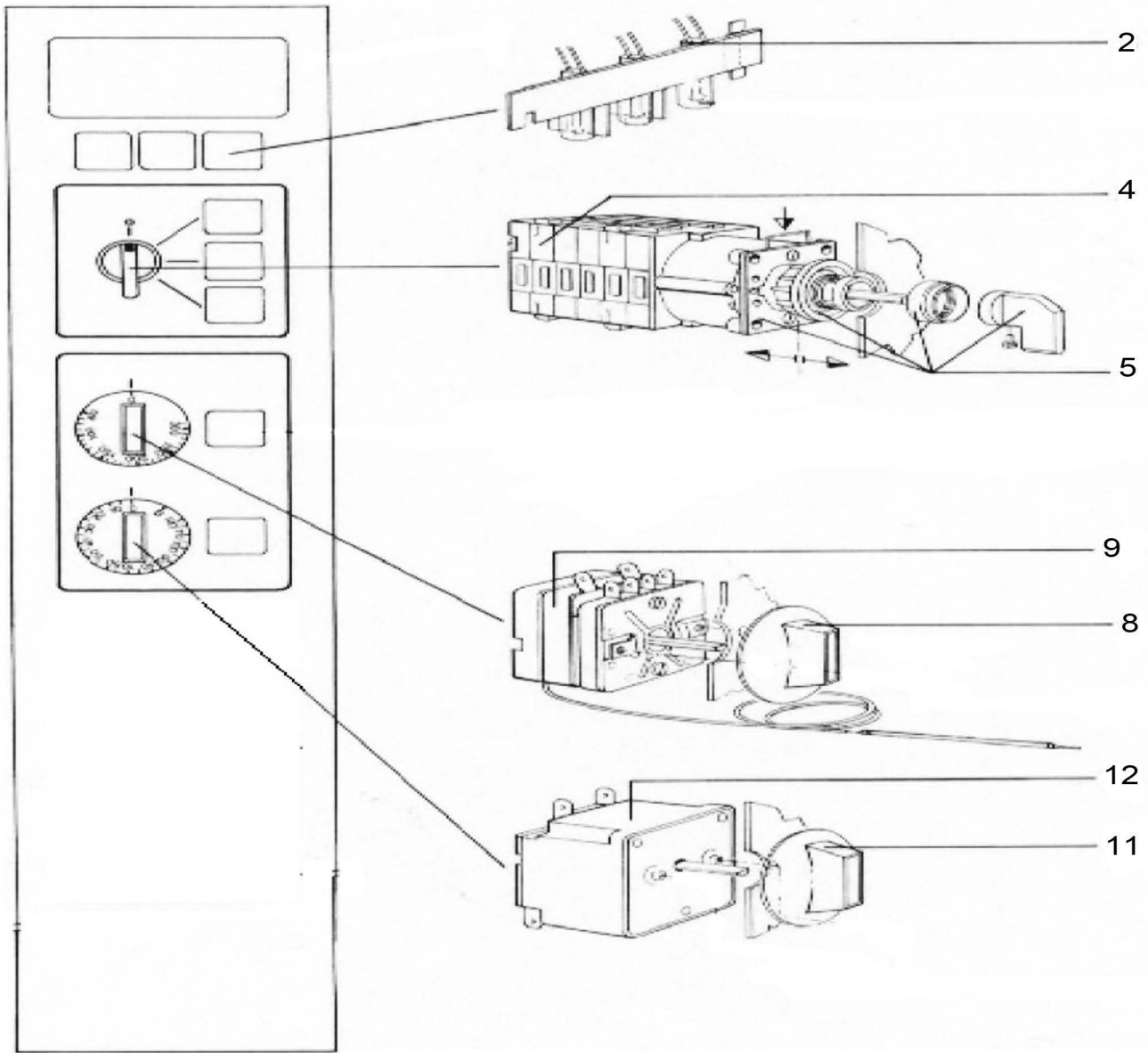
or visit

[www.blodgett.com](http://www.blodgett.com)

# TABLE OF CONTENTS

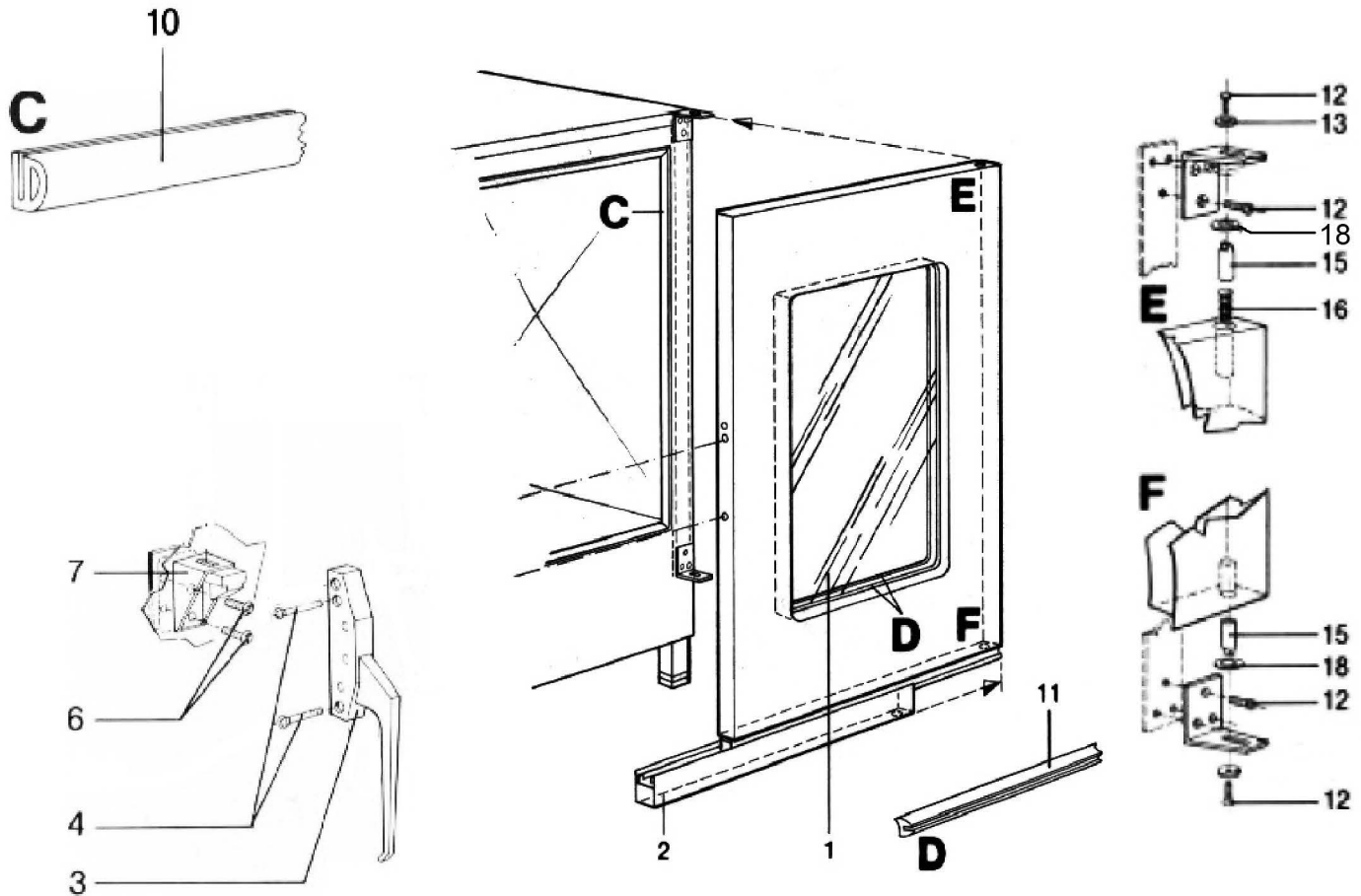
CONTROL PANEL .....	PAGE 4
DOOR COMPONENTS .....	PAGE 5
ELECTRICAL COMPONENTS .....	PAGE 6
MOTOR COMPONENTS .....	PAGE 8
INTERIOR COMPONENTS .....	PAGE 9
STEAM GENERATOR COMPONENTS .....	PAGE 11
PLUMBING COMPONENTS .....	PAGE 12

# CONTROL PANEL



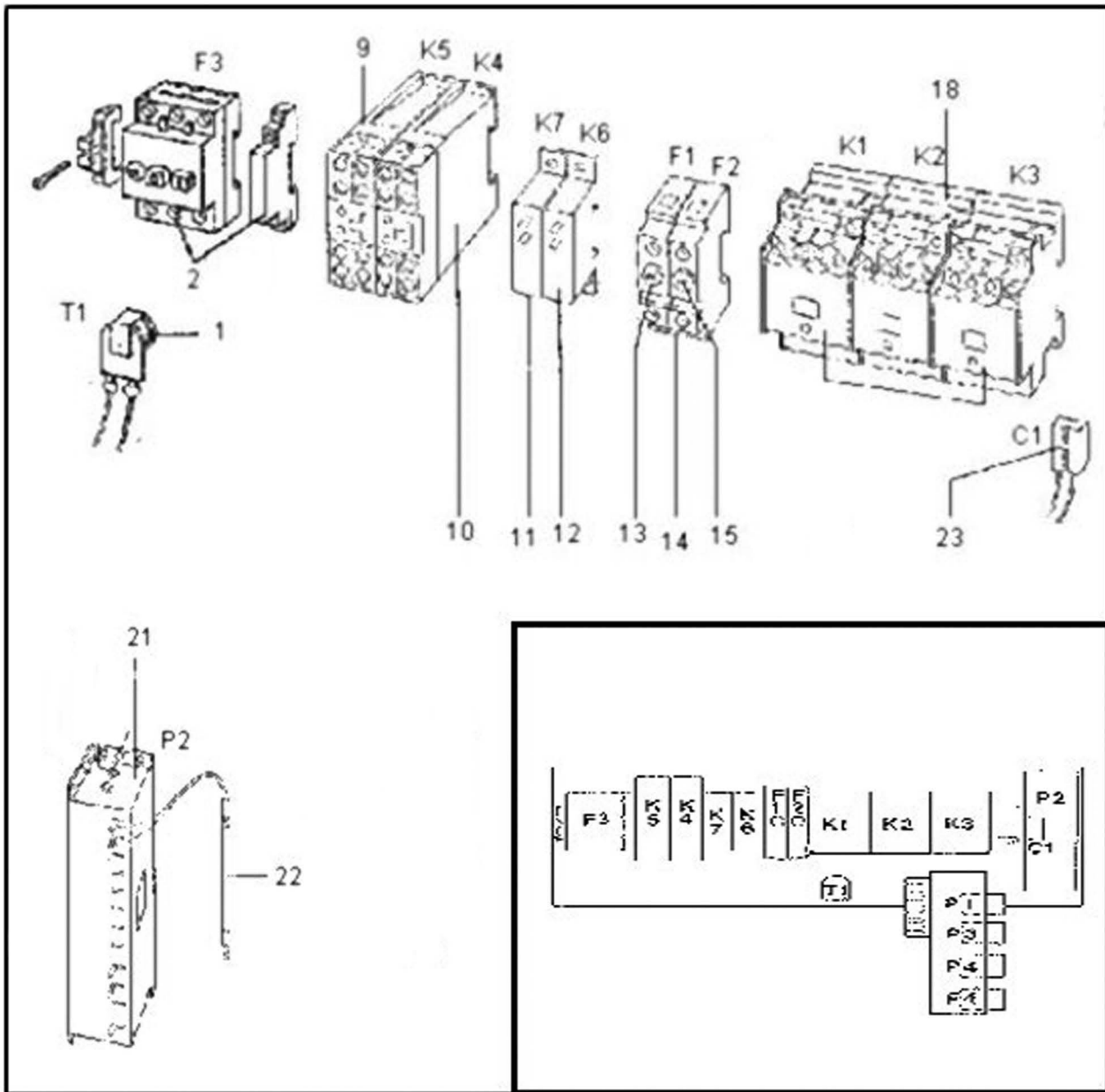
<b>Ref. No.</b>	<b>Part No.</b>	<b>Description</b>
2	R0135	Socket, control lamp (for use on very early models)
	R0226	Indicator light, clear
	R1318	Indicator light, green
4	R0069	Switch, mode 4 position, S2
5	R0364	Knob, mode switch w/ring
8	R0116	Knob, thermostat hot air P5
9	R1178	Thermostat, hot air P5 (w/knob & screws)
11	R0115	Knob, timer
12	R1182	Timer, 100 minute (w/knob & screws) S3

# DOOR COMPONENTS



Ref. No.	Part No.	Description
	R2909	Door complete
1	R5799	Glass, door
2	R2080	Trough, door drip (S/N's H)
	R3089	Holder, drip trough
	R1278	Rivets, trough holder
3	R6313	Handle, door (after 120198)
	R7833	Handle Retrofit, door (before 120198)
	R7830	Plate, handle (after 120198)
	R2369	Plate, handle (before 120198) (stripped hole)
	R1452	Plate, shim handle (before 120198)
4	R1286	Screw, handle (before 120198)
6	R0028	Screw, door catch
7	R2296	Catch, door (w/hardware)
10	R3013	Gasket, door
11	R2105	Gasket, door glass (per foot)
	R1472	Rivets, 1/8" for window frame
12	R0026	Screw, socket head cap (S/N's 006, 06M)
	R2292	Washer, hinge (S/N's H)
15	R0059	Pin, hinge (S/N's 006 06M)
	R3397	Pin, hinge (S/N's H)
	R0031	Screw, hex head hinge pin
16	R0047	Spring, compression, hinge pin
18	R0041	Washer, door height adjustment

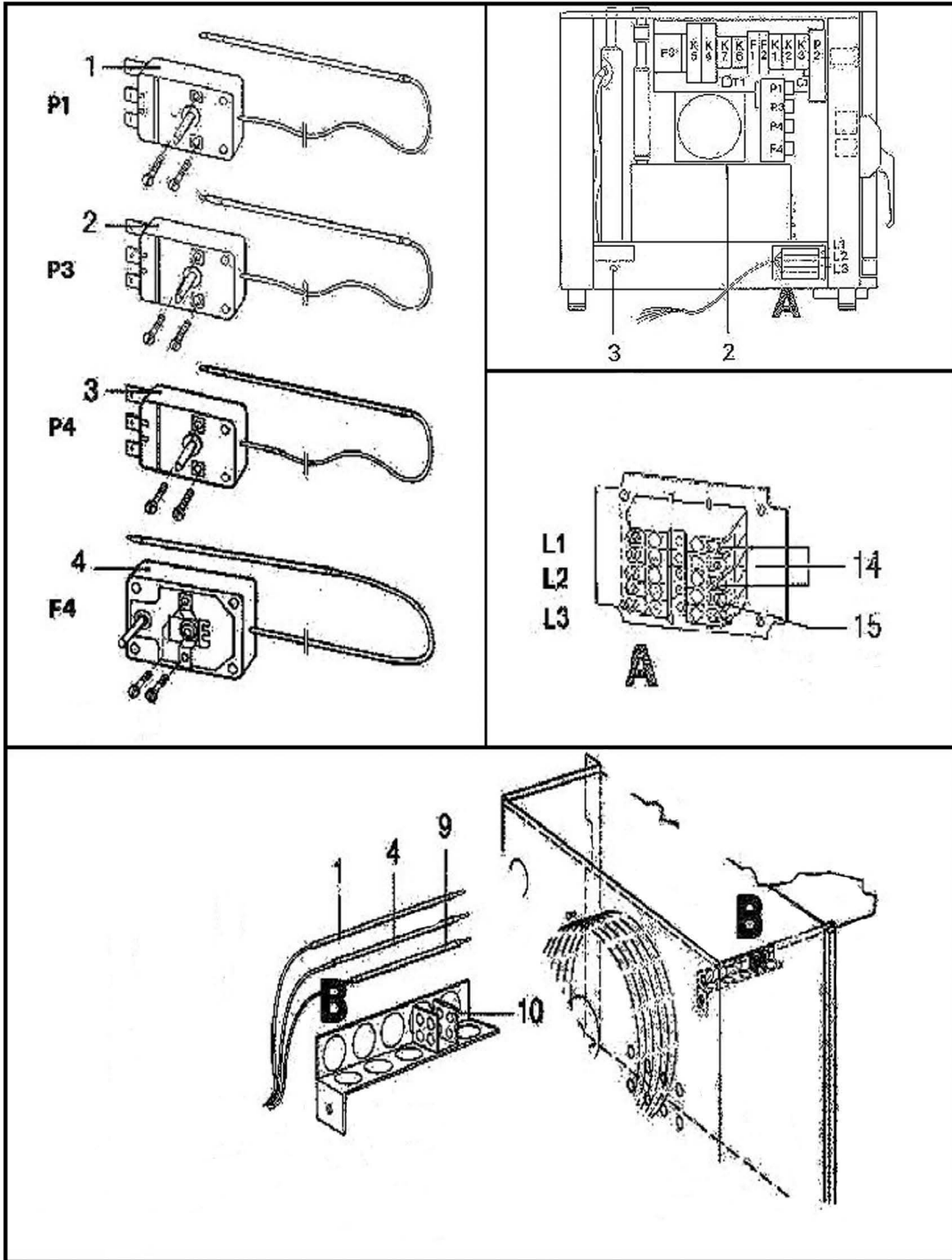
# ELECTRICAL COMPONENTS



Ref. No.	Part No.	Description
1	R9498	Buzzer
2	R0291	Protector, motor PKZ00 Auto Reset F3
	R0261	Protector, motor PKZM On/Off Reset F3
9	R2506	Relay, time delay (Generator Fill) K5
10	R2506	Relay, time delay (Low Water) K4
11	R7652	Relay, time delay (Blinker) K6
12	R2506	Relay, time delay (Motor Start Delay) K7
13	R0032	Fuse, 3 amp SC3, F1
13	R0043	Fuse, 3 amp KTKR3, F1 (Canada Only)
14	R1581	Holder, fuse 3 amp
14	20163	Holder, fuse 3 amp (Canada Only)
14	R0029	Holder, fuse 6 amp
15	R0030	Fuse, 6 amp KTNR6, F2
	51692	Contactors, motor 208V, K1

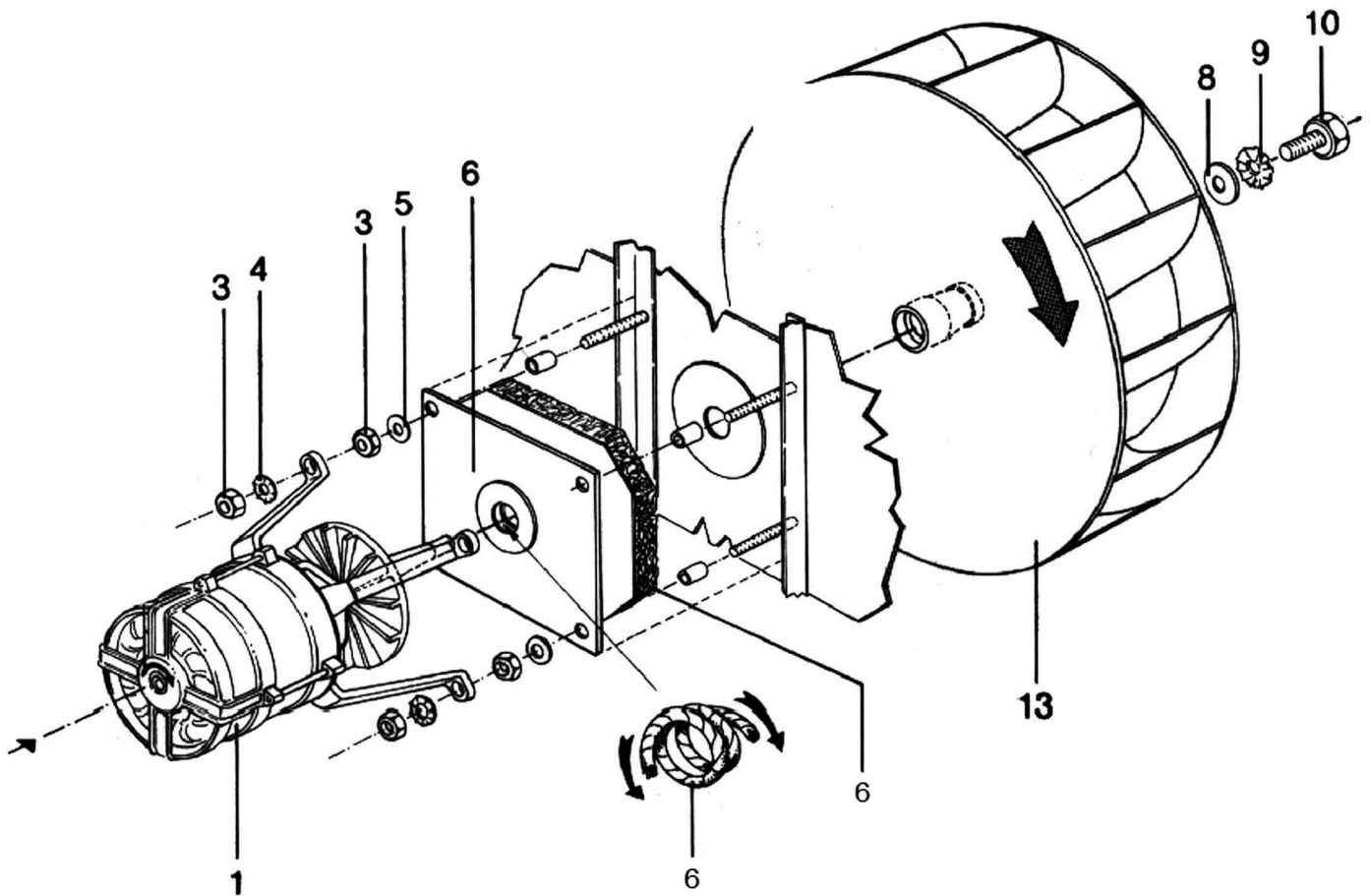
Ref. No.	Part No.	Description
18	51693	Contactors, motor 240V, K1
	R0290	Contactors, mechanical, hot air, 208V, K2
	R0309	Contactors, mechanical, hot air, 240V, K2
	38559	Contactors, mercury, hot air or steam
	R1808	Auxillary, mercury, contactors, hot air
21	R1443	Controller, solid state steam P2
	R1440	Plastic channel, P2
22	R0022	Sensor, temperature, steam P2
23	R0038	Suppressor, contactors coil, C1
	23034	Cooling fan, axial
	M0572	Plug/cord, cooling fan
	R2040	Thermostat, stack hi limit
	R2039	Thermostat, electrical compartment hi limit

# ELECTRICAL COMPONENTS



<b>Ref. No.</b>	<b>Part No.</b>	<b>Description</b>
1	R0121	Thermostat, Too Hot To Steam, P1
2	R0118	Thermostat, Pre Heat Priority, P3
3	R0122	Thermostat, Quench, P4
4	R1573	Thermostat, Cooking Compartment F4
9	R1178	Thermostat, hot air P5
14	R1586	Terminal Block, Power
15	R1586	Terminal Block, Power

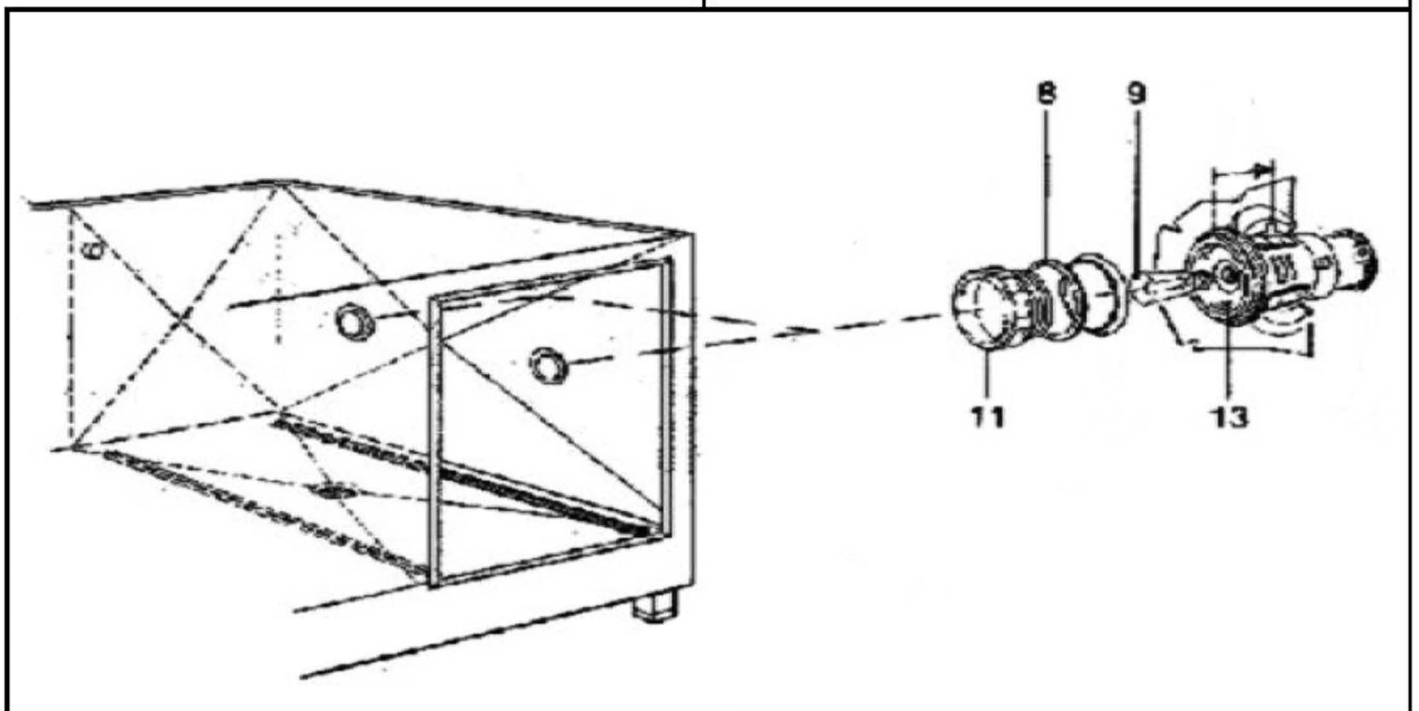
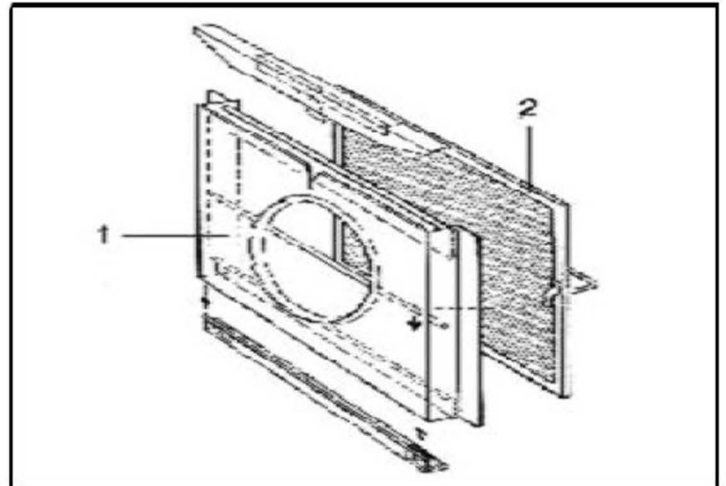
# MOTOR COMPONENTS



Ref. No.	Part No.	Description
1	R0092	Motor, 208/240V, 3ph
	R0079	Motor, 240V, 1ph
	R3025	Heat slinger, motor
3	R0037	Nut, hex motor mounting (S/N's 006, 06M)
	R0714	Nut, hex motor mounting (S/N's H)
4	R0039	Washer, toothed lock (S/N's 006, 06M)
	8532	Washer, toothed lock (S/N's H)
5	R0231	Washer
6	R2328	Packing, motor shaft
8	R0232	Washer, blower wheel
9	R0233	Washer, toothed lock, blower wheel
10	R0034	Screw, hex, blower wheel
13	R3699	Blower wheel
	R2425	Capacitor, motor start 6mfd
	R2012	Cover, capacitor
	R2010	Bracket
	15882	Nut, 1/4-20
	1265	Washer, lock

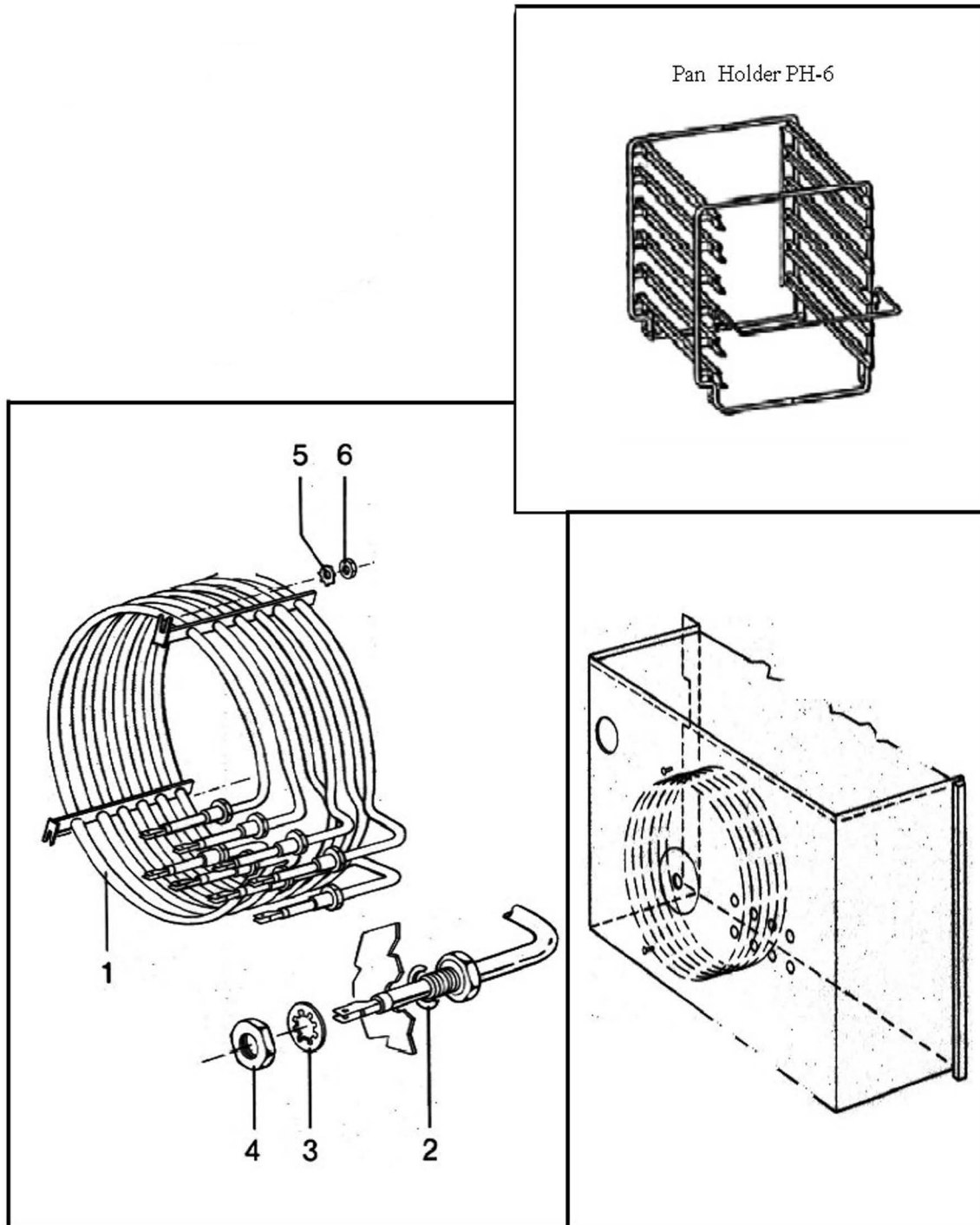


# INTERIOR COMPONENTS



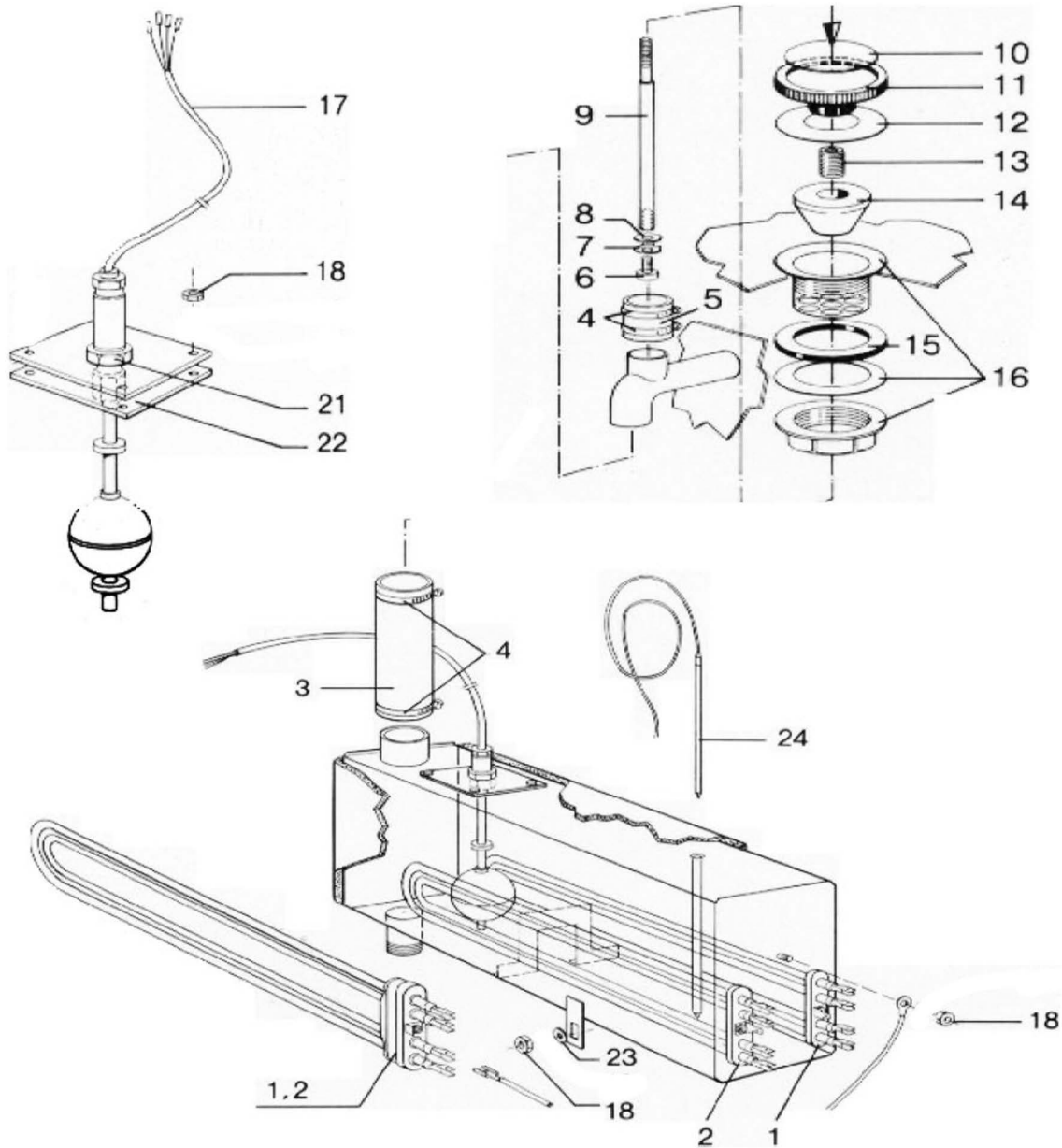
<b>Ref. No.</b>	<b>Part No.</b>	<b>Description</b>
	R0131	Interior lamp, complete
	R5773	Fuse, 1amp, KTKR1 (Canada only)
	20163	Holder, fuse 1amp (Canada only)
1	R2099	Baffle, air
2	R3760	Filter, grease (12"x12")
	R8130	Retrofit kit, filter and baffle
8	R1497	Gasket, lamp lens
9	R0133	Bulb, heat-resistant
11	R1496	Lens, lamp
	R1498	Lens assy, w/gasket
13	R0132	Socket, lamp

# INTERIOR COMPONENTS



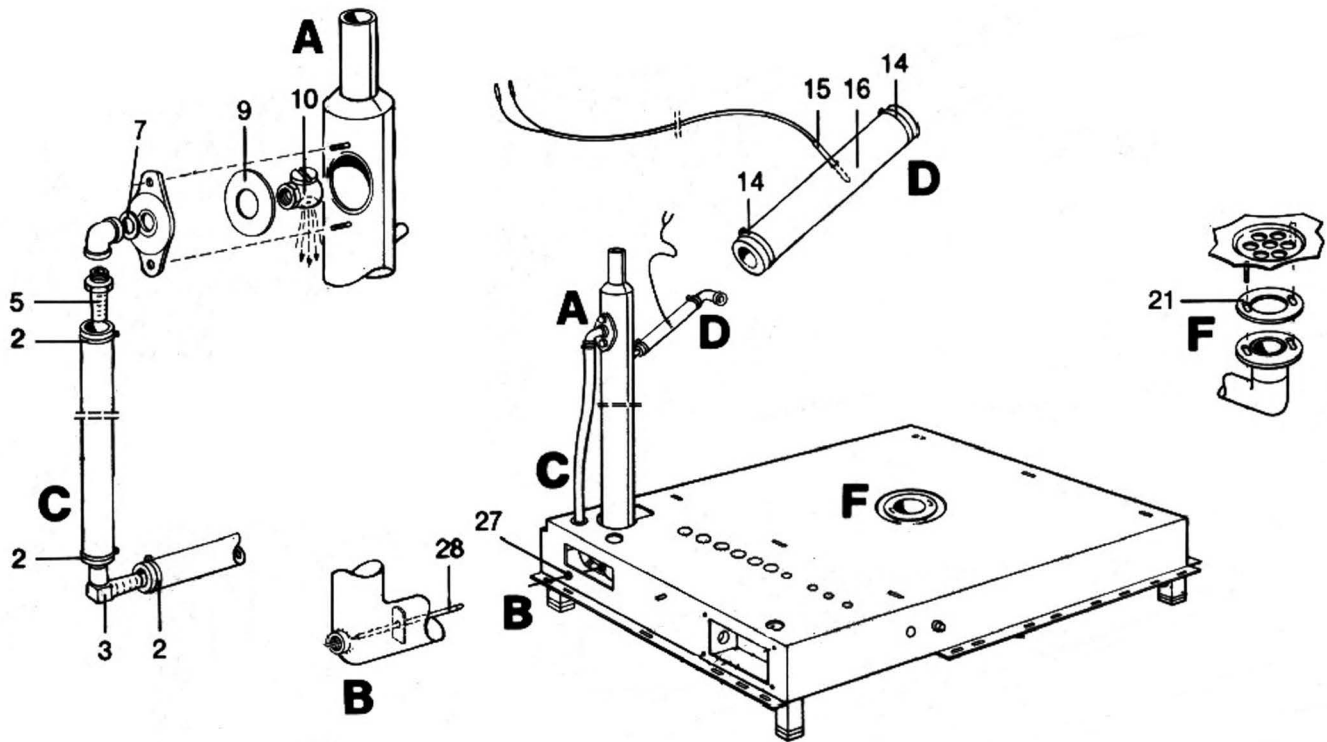
Ref. No.	Part No.	Description
	R7868	Pan Holder PH-6
1	R3652	Elements, hot air 208V (6 ring assy)
	R3653	Elements, hot air 240V (6 ring assy)
2	M0417	Washer, mounting
3	R0098	Washer, element hot air
4	M0231	Nut, mounting
5	R0099	Washer, external tooth hot air
6	R0100	Nut, element mounting

# STEAM GENERATOR COMPONENTS



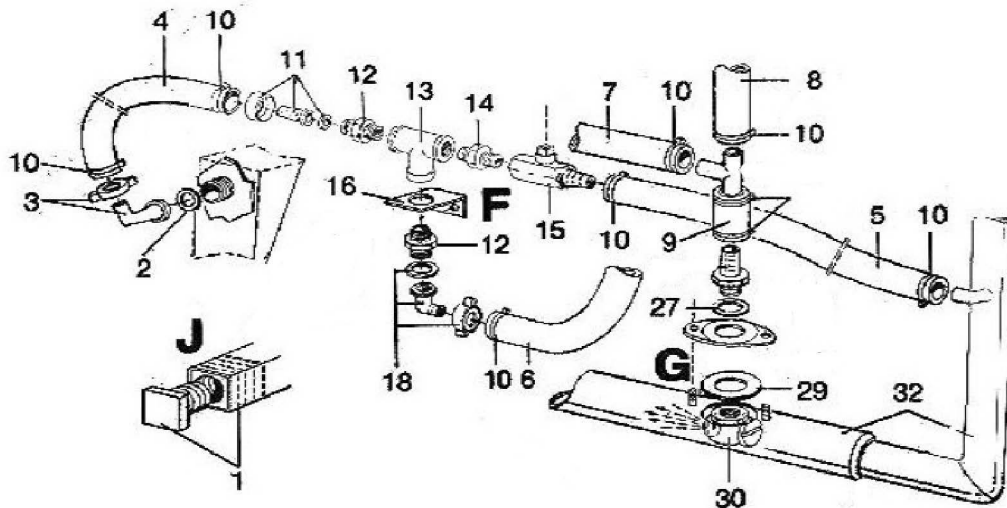
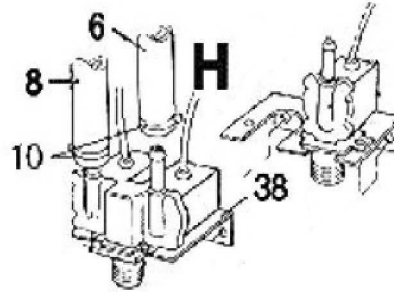
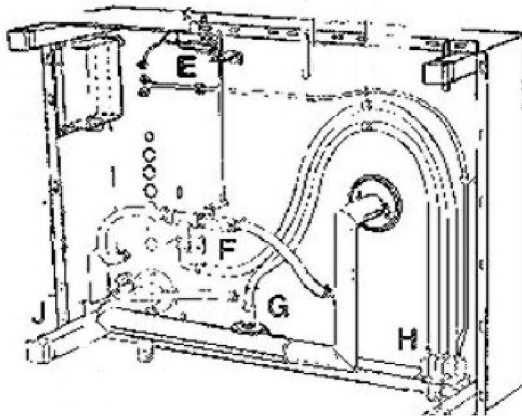
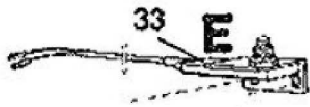
Ref. No.	Part No.	Description	Ref. No.	Part No.	Description
	R0207	Valve assy, decalcifier inlet	10		Cover, plate aluminum
1	R2769	Element Assy, Steam 208V 1.5kw	11		Handle, plastic, safety valve
2	R2768	Element Assy, Steam 208V3kw	12		Gasket
	R2772	Element Assy, Steam 240V 1.5kw	13		Thread insert
	R2771	Element Assy, Steam 240V 3kw	14		Cone, safety valve
3	R2814	Hose, steam outlet 1-3/8" ID (per foot)	15		Gasket
4	R0082	Clamp, hose	16		Valve body, safety
5	R2814	Hose, 1-3/8" ID (per foot)	R8397		Level Switch Assy Retrofit
	<b>NOTE:</b>	<b>Items 6-16 are included in assembly R0207</b>	17	R2329	Float Switch Assy
6		Screw, hex socket head		R0920	Plate, float switch
7		Washer, spring	18	R0035	Nut, hex switch plate
8		Washer	21	R0071	Nut, hex switch plate
9		Guide bar	22	R1491	Gasket, float switch
			23	R0733	Washer, flat strap
			24	R1480	Thermostat, high limit

# PLUMBING COMPONENTS



<u>Ref. No.</u>	<u>Part No.</u>	<u>Description</u>
2	R0080	Clamp, hose
3	R1086	Elbow, fitting
	R1085	Washer, elbow
5	R5071	Fitting, hose 3/8"
7	R0068	Gasket
9	R3755	Gasket
10	R0062	Nozzle, quench (S/N's 006, 06M0)
	R3643	Nozzle, upper/lower assy (S/N's H)
14	R0080	Clamp, hose
15	R0022	Sensor, steam controller P2
16	R2814	Hose, silicon 42mm (per foot)
	R0082	Clamp, hose
21	R1672	Gasket, drain
28	R0122	Thermostat, quench

# PLUMBING COMPONENTS



Ref. No.	Part No.	Description
1	R0070	Foot, adjustable
2	R1086	Seal ring, elbow fitting
3	R1085	Elbow, fitting 3/4"
5	R2812	Hose, 10mm (per foot)
6	R2812	Hose, 10mm (per foot)
7	R2812	Hose, 10mm (per foot)
8	R2812	Hose, 10mm (per foot)
9	R2812	Hose, 10mm (per foot)
10	R0080	Clamp, hose
<b>NOTE: Items 11, 12, 14 and 16 are included in assembly R1918</b>		
11		Fitting, 3/4"
12		Nipple, 1/2" x 3/4"
13	R0643	T-Fitting 1/2" (S/N's 006, 06M)
	R1901	T-Fitting 1/2" (S/N's H)
14		Double nipple, 1/2"
15	R0075	Ball Valve (S/N's 006, 06M)
	R1918	Ball Valve (S/N's H)

Ref. No.	Part No.	Description
	R0076	Elbow, generator drain valve
16		Holder, T-fitting
18	R2017	Elbow, fitting 3/4"
27	R0068	Gasket
29	R3755	Gasket
30	R0062	Nozzle, quench (S/N's 006, 06M)
	R3643	Nozzle, quench (S/N's H)
32	R1037	Drain system complete (atmospheric vented)
33	R0225	Switch, door (recessed)
	R0134	Switch, door (exposed)
	R1417	Screw, shoulder 1/4-20 x 5/16" (kit)
	R0391	Insert, 1/4-20 (kit)
	R2522	Solenoid Valve, dual
	R2997	Solenoid Valve, Conversion kit single to double
38	R2567	Holder, double solenoid valve
	R2202	Boot, drain manifold connecting 2"
	R2207	Clamps, drain boot
	R11210	Pressure regulator