



**MARK V-III HATCHABLE SERIES
ELECTRIC CONVECTION OVEN
REPLACEMENT PARTS LIST**

EFFECTIVE JULY 11, 2011

BLODGETT OVEN COMPANY

44 Lakeside Avenue, Burlington, Vermont 05401 USA

Telephone: (802) 658-6600 Fax: (802) 860-3732

www.blodgett.com

P/N 54114

Superseding All Previous Parts Lists.

The Company reserves the right to make substitution in the event that items specified are not available.

ERRORS: Descriptive and/or typographic errors are subject to correction.

www.blodgett.com

SERIAL NUMBER LOCATION / KEY:

IMPORTANT: When ordering parts, please provide the model, gas type and serial number of the oven. The identification plate is located on the left side of the combustion compartment and, also, above the control panel under the ledge.

SERIAL NUMBER IDENTIFICATION CODE:**PB MARK V-III/H****PC MARK V-III/HD****SERIAL NUMBER EXAMPLES****062001PB001T****06/20/01 = DATE****PB = LETTER CODE FOR MARK V-III/H****001 = FACTORY SEQUENCE****T = TOP OVEN****OR****0685P1820101****06/85 = MONTH & YEAR****P = LETTER CODE FOR MODEL NAME****1820101 = FACTORY SEQUENCE****TO OBTAIN LITERATURE:****Email: literature@blodgett.com****or****www.blodgett.com**

TABLE OF CONTENTS

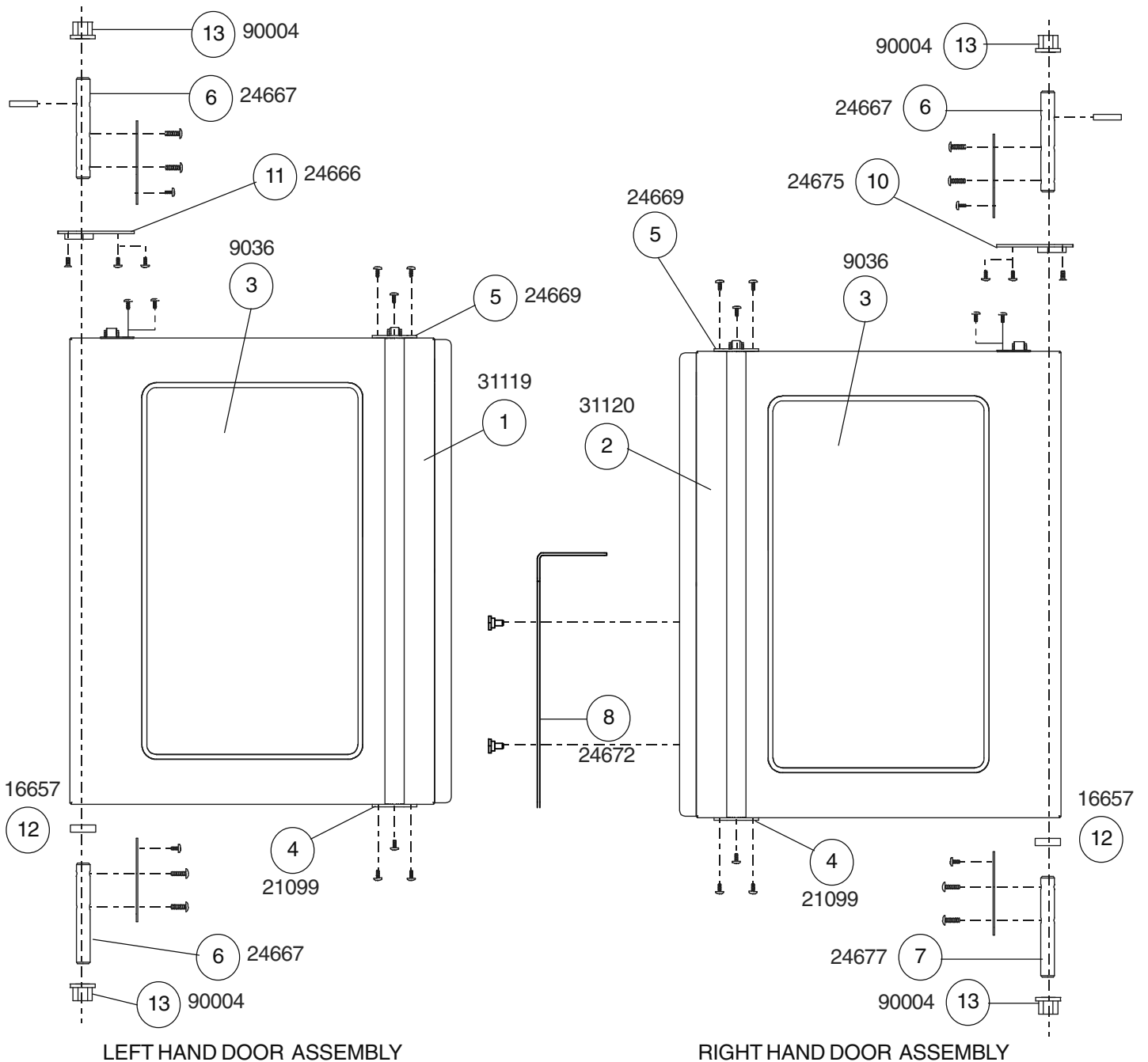
Doors Are Not Returnable

<i>DOOR COMPONENTS</i>	<i>PAGE 4</i>
<i>BAKING COMPARTMENT COMPONENTS</i>	<i>PAGE 5</i>
<i>SOLID STATE DIGITAL CONTROLS</i>	<i>PAGE 6</i>
<i>INTELLIPLUS CONTROLS</i>	<i>PAGE 7</i>
<i>ELECTRICAL COMPONENTS</i>	<i>PAGE 8</i>
<i>EXTERIOR COMPONENTS</i>	<i>PAGE 8</i>

DOOR COMPONENTS

Ref. No.	Part No.	Description
1	31119	Door Assy, Glass LH
2	31120	Door Assy, Glass RH
3	9036	Glass Assy, Door (10-1/8" x 17-1/8")
4	21099	Bracket, Door Handle Bottom LH & RH
	21100	Striker Plate
5	24669	Roller Catch Assy
	24671	Roller Catch Assy, Secondary
6	24667	Door Pin, Upper & Lower LH, & RH Upper
7	24677	Door Pin, RH Lower Only

Ref. No.	Part No.	Description
	24674	Security Catch RH Door
8	24672	Security Latch on Oven
	24670	Handle, Door
	24676	Center Door Gasket
10	24675	Stop Plate Assy, RH
11	24666	Stop Plate Assy, LH
	24668	Gasket Assy, Door Perimeter
12	16657	Bushing Sleeve
	35919	Microswitch Assy, Door Replaces 19978
13	90004	Door Hinge Bushings (Set of 2)

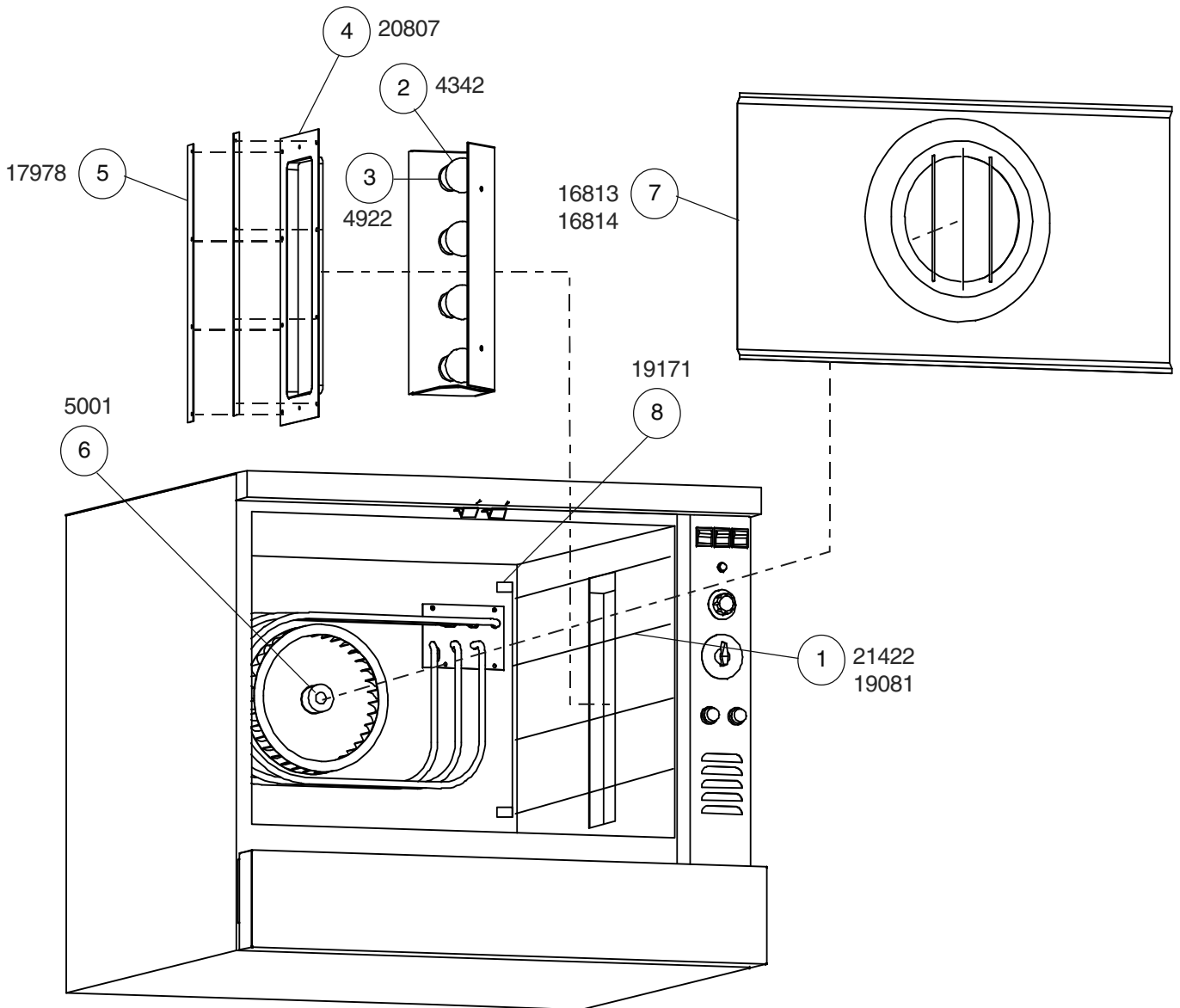


LEFT HAND DOOR ASSEMBLY

RIGHT HAND DOOR ASSEMBLY

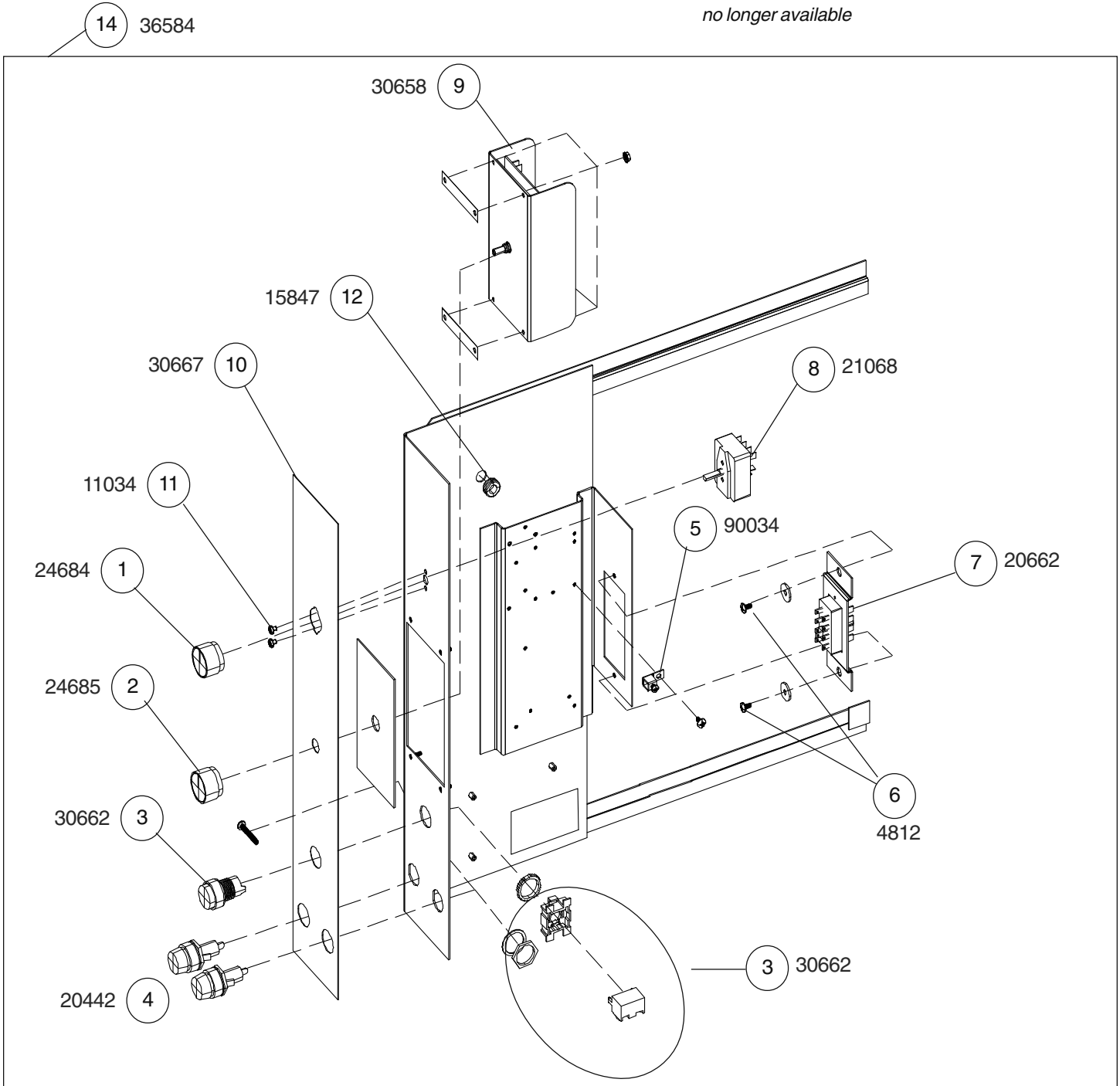
BAKING COMPARTMENT COMPONENTS

Ref. No.	Part No.	Description	Ref. No.	Part No.	Description
	20246	Rack, Wire HD	6	5001	Wheel Assy, Blower
1	21422	Support, Rack (Set of 2)HD	7	16813	Interior Baffle, Porc. (Blower Wheel Cover)
	18768	Rack, Wire H	7	16814	Interior Baffle, Stainless (Blower Wheel Cover)
1	19081	Support, Rack (Set of 2) H	8648		Screws, Baffle Mounting (Set of 4)
8	19171	Stop, Rack (Set of 2)	90046		Brackets, Baffle Supports (Set of 4)
2	4342	Lamp, Interior, 115V	19639		Screen Assy, Baffle S/S
3	4922	Socket, Lamp	22439		Compartment Liner BottomH
4	20807	Window, Interior Lights w/ Retainer	24695		Compartment Liner Bottom HD
5	17978	Retainer, Interior Window	18200		Liner Bottom, S/S Removeable H
	8321	Guard, Thermostat Bulb			



SOLID STATE DIGITAL CONTROLS

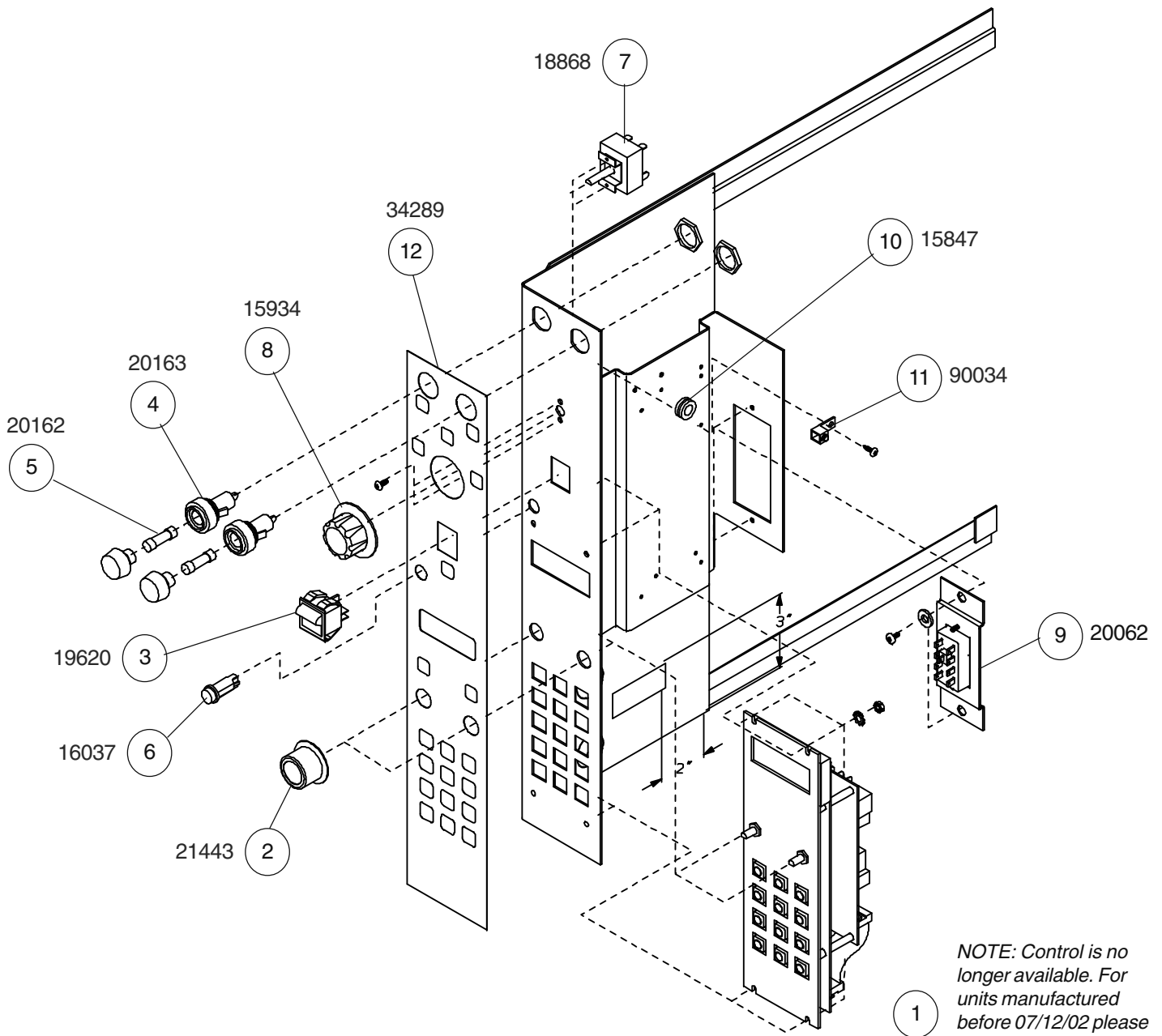
Ref. No.	Part No.	Description	Ref. No.	Part No.	Description
1	24684	Knob, Mode	8	21068	Switch, Rotary 4 Position
2	24685	Knob, Adjust	9	30658	Control, Solid State Digital Assy
3	30662	Switch, Pushbutton Mom Kit	10	30667	Control Panel and Decal Assy
4	20442	Fuseholder, 30A, Class CC		24920	Harness, Wiring (not shown)
	16605	Fuse, 10A, 600V, Class CC	11	11034	Screw, Mach #8-32 x 3/16
5	90034	Grounding Lug Kit	12	15847	Grommet, Rubber 11/16
6	4812	Screw, Tap #10-16 x .375	14	36584	Conversion Kit to SSD from Intellihold.
7	20662	Plug Assy, Quick Disconnect		NOTE:	<i>For units before 07/12/02 you must convert unit to SSD. Intellihold controller is no longer available</i>



INTELLIHOLD CONTROLS

(REQUIRES 2 SPEED MOTOR, CAPACITOR AND BLOWER SWITCH)

Ref. No.	Part No.	Description	Ref. No.	Part No.	Description
1		Controller, Intellihold (12 Key)	7	18868	Switch, Rotary, 3 Position
	<i>NOTE:</i>	<i>Control is no longer available.</i>	8	15934	Knob, Control, Selector Switch
		<i>For units manufactured before 07/12/02</i>	9	20662	Plug Assy, Quick Disconnect
		<i>please see page 6 for conversion kit.</i>	10	15847	Grommet, Rubber 11/16
		<i>Other service parts listed still available.</i>	11	90034	Lug, Grounding
	23392	Probe, Temperature RTD	12	34289	Control Panel and Decal Assy
2	21443	Knob, Temperature Control (2 Per Oven)			
3	19620	Switch, Rocker, DPST, Black			
4	20163	Fuseholder, 15 amp, Class G			
5	20162	Fuse, 10 amp, 300v, Class G			
6	16037	Light, Indicator, Red, 250v, Round			



NOTE: Control is no longer available. For units manufactured before 07/12/02 please see page 6 for conversion kit.

ELECTRICAL COMPONENTS

<u>Ref. No.</u>	<u>Part No.</u>	<u>Description</u>	<u>Ref. No.</u>	<u>Part No.</u>	<u>Description</u>
	33245	Element Assy, 208V		90047	Socket & Screw, Disconnect
	33244	Element Assy, 240V		21430	Fan, Axial 230V - 21
	20322	Element Assy, 440V		90034	Grounding Lug
	20319	Element Assy., 480V		35919	Microswitch Assy, Replaces 19978
	20605	Harness, Element		19620	Rocker Switch DPST Black
	32244	Motor, 230V, 2SP, 1/3HP		6497	Rocker Switch SPST White (Lights)
	17754	Transformer w/Screws		18868	Switch Rotary, 3 Position
	17248	Harness, Transformer		16686	Knob, Selector Switch
	17252	Base Assy, Transformer Mount		20162	Fuse
	17556	Terminal Block, 90AMP		20163	Fuse Holder
	17474	Socket & Reflector, Lamp		16037	Indicator Light, Red, Cook Only
	18651	Contacto, Mercury, 208V, 2 Pole, 60 Amp, 1 PH			
	39443	Contacto Kit, Mecury to Mechanical, 1 ph			
	38559	Contacto Kit, Mecury to Mechanical, 3 ph			

EXTERIOR COMPONENTS

<u>Ref. No.</u>	<u>Part No.</u>	<u>Description</u>	<u>Ref. No.</u>	<u>Part No.</u>	<u>Description</u>
	22403	Trim, Bottom S/S		8600	Legs, 6" w/ Bolts, Stainless (Set of 4)
	16470	Nameplate, Blodgett 10"		8598	Legs, 25" w/ Bolts, S/S (Set of 4)
	23401	Control Access Panel, S/S		92000	Studs, Leg (Set of 4)
	34864	Back Panel, Solid S/S		7847	Bolts, Leg (Set of 8)
	15247	Screws, Qty 12		16002	Caster Kit, Single Oven (Set of 4)
	17755	Backsheet Support, Qty 2		5779	Caster Kit w/ Plate, Double Oven (Set of 4)
				19528	Caster Kit, Low Profile (Set of 4)
				31013	Caster Kit, Heavy Duty Low Profile (Set of 4)
				15489	Foot, Leg Stainless (Each)
				31803	Clips, Double Stacking (Set of 2)
				34874	Flue Connector Kit
				33484	Torx Bit, Security T30
				30412	Torx Bit, Security T25