

BLODGETT® **BLODGETT**® **BLODGETT**® **BLODGETT**®

BLODGETT® **BLODGETT**® **BLODGETT**®

BLODGETT® **BLODGETT**® **BLODGETT**® **BLODGETT**®

BLODGETT®

**MT1828G AND MT1828E
CONVEYOR OVENS**

INSTALLATION – OPERATION – MAINTENANCE

MT1828G ET MT1828E

FOURS À BANDE TRANSPORTEUSE

MANUEL D'INSTALLATION – FONCTIONNEMENT – ENTRETIEN



BLODGETT OVEN COMPANY

www.blodgettcorp.com

50 Lakeside Avenue, Box 586, Burlington, Vermont 05402 USA Telephone (800) 331-5842, (802) 860-3700 Fax: (802)864-0183

PN M9946 Rev D (6/01)

© 2000 – G.S. Blodgett Corporation

IMPORTANT

WARNING: IMPROPER INSTALLATION, ADJUSTMENT, ALTERATION, SERVICE OR MAINTENANCE CAN CAUSE PROPERTY DAMAGE, INJURY OR DEATH. READ THE INSTALLATION, OPERATING AND MAINTENANCE INSTRUCTIONS THOROUGHLY BEFORE INSTALLING OR SERVICING THIS EQUIPMENT

AVERTISSEMENT: UNE INSTALLATION, UN AJUSTEMENT, UNE ALTÉRATION, UN SERVICE OU UN ENTRETIEN NON CONFORME AUX NORMES PEUT CAUSER DES DOMMAGES À LA PROPRIÉTÉ, DES BLESSURES OU LA MORT. LISEZ ATTENTIVEMENT LES DIRECTIVES D'INSTALLATION, D'OPÉRATION ET D'ENTRETIEN AVANT DE FAIRE L'INSTALLATION OU L'ENTRETIEN DE CET ÉQUIPEMENT.

INSTRUCTIONS TO BE FOLLOWED IN THE EVENT THE USER SMELLS GAS MUST BE POSTED IN A PROMINENT LOCATION. THIS INFORMATION MAY BE OBTAINED BY CONTACTING YOUR LOCAL GAS SUPPLIER.

LES INSTRUCTIONS À RESPECTER AU CAS OÙ L'UTILISATEUR PERÇOIT UNE ODEUR DE GAZ DOIVENT ÊTRE AFFICHÉES DANS UN ENDROIT BIEN VISIBLE. VOUS POUVEZ VOUS LES PROCURER AUPRÈS DE VOTRE FOURNISSEUR DE GAZ LOCAL.

FOR YOUR SAFETY

Do not store or use gasoline or other flammable vapors or liquids in the vicinity of this or any other appliance.

AVERTISSEMENT

Ne pas entreposer ni utiliser de l'essence ni d'autres vapeurs ou liquides inflammables dans le voisinage de cet appareil, ni de tout autre appareil.

The information contained in this manual is important for the proper installation, use, and maintenance of this oven. Adherence to these procedures and instructions will result in satisfactory baking results and long, trouble free service. Please read this manual carefully and retain it for future reference.

Les informations données dans le présent manuel sont importantes pour installer, utiliser et entretenir correctement ce four. Le respect de ces instructions et procédures permettra d'obtenir de bons résultats de cuisson et une longue durée de service sans problèmes. Veuillez lire le présent manuel et le conserver pour pouvoir vous y reporter à l'avenir.

Errors: Descriptive, typographic or pictorial errors are subject to correction. Specifications are subject to change without notice.

Erreurs: Les erreurs de description, de typographie ou d'illustration font l'objet de corrections. Les caractéristiques sont sujettes à modifications sans préavis.



***THE REPUTATION YOU CAN COUNT ON
UNE RÉPUTATION SUR LAQUELLE VOUS POUVEZ COMPTER***

For over a century and a half, The Blodgett Oven Company has been building ovens and nothing but ovens. We've set the industry's quality standard for all kinds of ovens for every foodservice operation regardless of size, application or budget. In fact, no one offers more models, sizes, and oven applications than Blodgett; gas and electric, full-size, half-size, countertop and deck, convection, Cook'n Hold, Combi-Ovens and the industry's highest quality Pizza Oven line. For more information on the full line of Blodgett ovens contact your Blodgett representative.

Cela fait maintenant dessus un siècle et demi que Blodgett se spécialise dans la fabrication de fours. Nous avons établi les normes de qualité qui s'appliquent dans l'industrie à tous les types de fours utilisés dans les services alimentaires, quel qu'en soit la taille, l'exploitation ou le budget. En fait, ni n'offre plus de modèles, de tailles et d'applications de fours que Blodgett. À gaz et électriques. De tailles différentes, sur plan de travail et superposables. Qu'il s'agisse de fours à convection, des modèles Cook'n Hold et Combi-Oven, ou de la gamme de fours à pizzas de la plus haute qualité offerte sur le marché. Pour de plus amples informations sur la gamme complète de fours Blodgett, veuillez contacter votre représentant Blodgett.

Your Service Agency's Address:
Adresse de votre agence de service:



Model/Modèle:

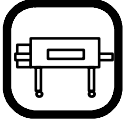
Serial Number/Numéro de série:

Your oven was installed by/
Installateur de votre four:

Your oven's installation was checked by/
Contrôleur de l'installation de votre four:

Table of Contents/Table des Matières

Introduction		Introduction	
Oven Description and Specifications	2	Description et Spécifications du Four	28
Oven Components	3	Description et Composantes du Four . . .	30
Installation		Installation	
Delivery and Inspection	4	Livraison et Inspection	31
Oven Location and Ventilation	5	Implantation et aération du four	32
Oven Assembly	6	Montage du Four	33
Oven Stand with casters	6	Base de Support du Four avec	
Stacking the ovens (if applicable)	7	Roulettes	33
Conveyor Belt	8	Superposition des Fours	
Crumb Pans	10	(si applicable)	34
Optional Remote Computer Control	10	Le Convoyeur	35
Utility Connections –		Plateaux pour Miettes	37
Standards and Codes	11	L'Ordinateur de Cuisson Détaché	37
Gas Connection	12	Branchements de Service –	
Electrical Connection	15	Normes et Codes	38
Operation		Branchement de Gaz	39
Safety Information	17	Raccordement Électrique	42
Cooking Computer	18	Utilisation	
Oven Adjustments for Cooking	20	Informations de Sécurité	44
Maintenance		L'Ordinateur de Cuisson	45
Cleaning	22	Réglages du Four Pour la Cuisson	47
Control Box Component Locations	24	Entretien	
Troubleshooting Guide	26	Nettoyage	49
		Emplacement des Composants du	
		Boîtier de Commande	51
		Guide de Dépannage	53



Introduction

Oven Description and Specifications

Cooking in a conveyor oven differs from cooking in a conventional deck or range oven since heated air is constantly recirculated over the product by a fan in an enclosed chamber. The moving air continually strips away the layer of cool air surrounding the product, quickly allowing the heat to penetrate. The result is a high quality product, cooked at a lower temperature in a shorter amount of time.

Blodgett conveyor ovens represent the latest advancement in energy efficiency, reliability, and ease of operation. Heat normally lost, is recirculated within the cooking chamber before being vented from the oven: resulting in substantial reductions in energy consumption, a cooler kitchen environment and enhanced oven performance.

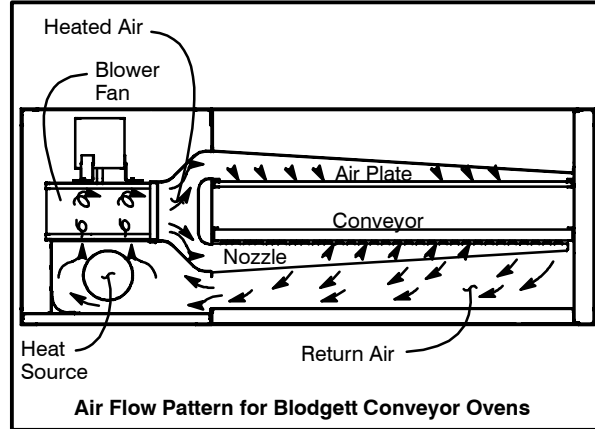


Figure 1

SPECIFICATIONS	MT1828G/AB	MT1828E/AA
Belt Width	18" (46 cm)	
Cooking Zone Length	28" (71 cm)	
Baking Area	3.7 sq. ft. .34 m ²)	
Dimensions (single unit)	41" x 35" x 18" (104 cm x 89 cm x 46 cm)	
Maximum Operating Temperature	600°F (315°C)	
Product Clearance	3.75" (9.5 cm)	
Maximum Input	40,000 BTU/Hr (11.7 kW) (42.2 MJ)	11.1 KW/hr.
Power Supply	U.S. and Canadian 120/208-240 VAC, 1Φ, 60 Hz, 4 wire, 15 amp, General Export and Australia 220/240 VAC, 1Φ, 50/60Hz, 3 wire, 15 amp	U.S. and Canadian 208 VAC, 1Φ, 60Hz, 3 wire, 52 amp 240 VAC, 1Φ, 60Hz, 3 wire, 45 amp 208 VAC, 3Φ, 60Hz, 4 wire, 30 amp 240 VAC, 3Φ, 60Hz, 4 wire, 26 amp General Export and Australia 240 VAC, 1Φ, 50Hz, 3 wire, 45 amp 208-240 VAC, 3Φ, 50Hz, 4 wire, 30 amp 380/220 VAC, 3Φ, 50Hz, 5 wire, 18 amp 415/240 VAC, 3Φ, 50Hz, 5 wire, 17 amp
Gas Supply	4.5" W.C. (1.1 kPa) minimum 10.5" W.C. (2.61 kPa) maximum	None
Gas Connection	3/4" (1.9 cm) NPT	None

Oven Components

Conveyor Assembly – conveyor belt and rack assembly that carries product through the oven.

Control Box – contains electrical wiring, cooling fan, drive motor and drive chain.

Drive Motor – provides power to move the conveyor belt. Located inside the control box.

Drive Chain – connects the drive motor sprocket to the drive side conveyor belt support sprocket. Located inside the control box.

Baking Chamber – products pass through the baking chamber on the conveyor belt for cooking.

Oven Controls – used to control oven temperature, belt speed and other functions.

Nozzles – distribute heated air to bottom of the baking chamber. Located inside the oven, under the conveyor belt.

Crumb Pan – catches crumbs from products on the conveyor. Located under conveyor belt at both ends of the baking chamber.

Air Flow Plates – distribute heated air to the top of baking chamber. Located inside of oven at the top of baking chamber.

Emergency Shut Down Switch – on remote control ovens, allows user to turn oven and conveyor off in an emergency. **Do not use for general shut down.**

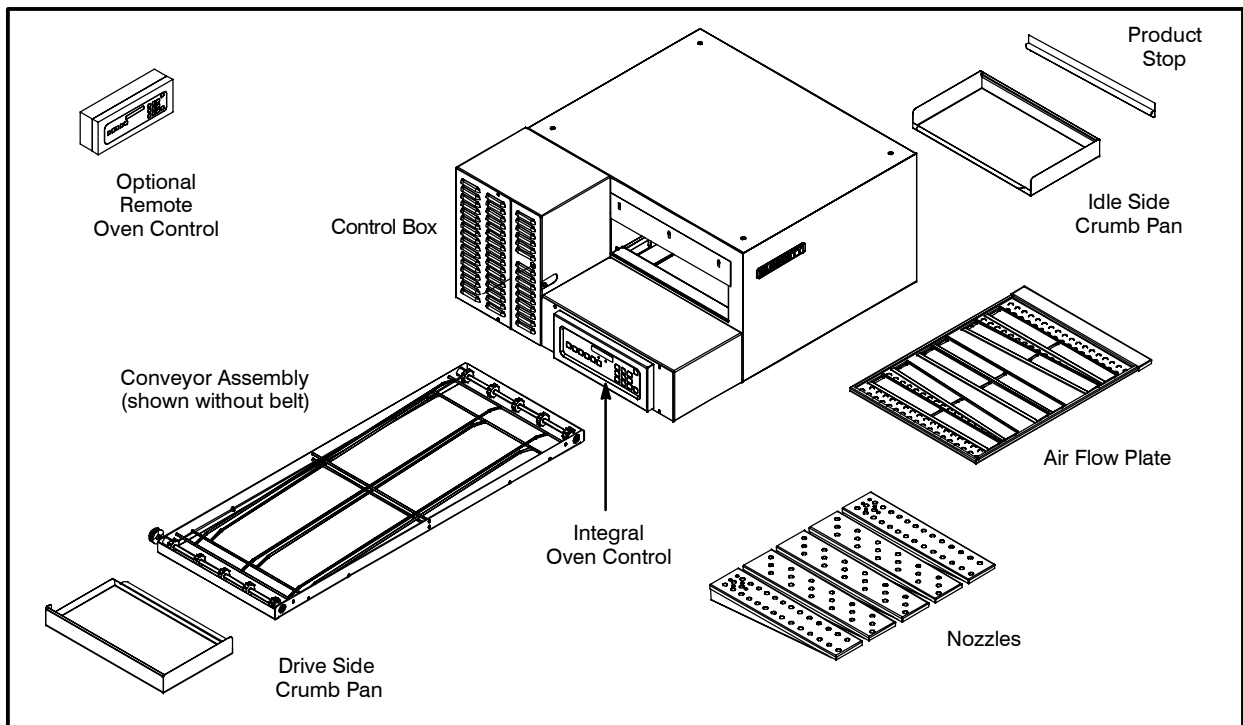


Figure 2



Installation

Delivery and Inspection

All Blodgett ovens are shipped in containers to prevent damage. Upon delivery of your new oven:

- Inspect the shipping container for external damage. Any evidence of damage should be noted on the delivery receipt which must be signed by the driver.
- Uncrate the oven and check for internal damage. Carriers will accept claims for concealed damage if notified within fifteen days of delivery and the shipping container is retained for inspection.

The Blodgett Oven Company cannot assume responsibility for loss or damage suffered in transit. The carrier assumed full responsibility for delivery in good order when the shipment was accepted. We are, however, prepared to assist you if filing a claim is necessary.

The oven can now be moved to the installation site. Check the following list with Figure 2 on page 3 to be sure all items were received.

Part Description	Qty.
Main oven body	1
Conveyor belt assembly	1
Crumb pans	2
Product stop	1
Nozzles	5
Packet containing: 1/2-13 alignment pins & washers	1*
Owner's manual	1*
Oven stand	1**
Triple stack casters	1**
Optional remote oven control	1**
Optional remote oven control bracket	1**
Optional remote oven control cables	1**

NOTE: * Item not shown.
**Optional



Oven Location and Ventilation

LOCATION

The well planned and proper placement of your oven will result in long term operator convenience and satisfactory performance.

The following clearances must be maintained between the oven and any combustible or non-combustible construction.

- Oven body sides – 16” (40.6 cm)
- Oven body back – 0” (0 cm)

The following clearances must be available for servicing.

- Oven body left side – 38” (96.5 cm)
- Oven body back – 28” (71 cm)

NOTE: *On gas models, routine servicing can usually be accomplished within the limited movement provided by the gas hose restraint. If the oven needs to be moved further from the wall, the gas must first be turned off and disconnected from the oven before removing the restraint. Reconnect the restraint after the oven has been returned to its regular position.*

It is essential that an adequate air supply to the oven be maintained to provide a sufficient flow of combustion and ventilation air.

- Place the oven in an area that is free of drafts.
- Keep the oven area free and clear of all combustibles such as paper, cardboard, and flammable liquids and solvents.
- Do not place the oven on a curb base or seal to a wall. This will restrict the flow of air and prevent proper ventilation to the blower motors. This condition must be corrected to prevent permanent damage to the oven.
- On all models, tripping of the blower motor’s thermal overload device indicates an excessive ambient temperature at the back of the oven. This condition must be corrected to avoid permanent damage to the oven.

VENTILATION

On gas models the necessity for a properly designed and installed ventilation system cannot be over-emphasized. This system allows the oven to function properly while removing unwanted vapors and products of combustion from the operating area.

This oven must be vented with a properly designed mechanically driven exhaust hood. The hood should be sized to completely cover the equipment plus an overhang of at least 6” (15 cm) on all sides not adjacent to a wall. The distance from the floor to the lower edge of the hood should not exceed 7’ (2.1m). The capacity of the hood should be sized appropriately and provisions should be made for adequate makeup air.

U.S. and Canadian installations

Refer to your local ventilation codes. In the absence of local codes, refer to the National ventilation code titled, “*Standard for the Installation of Equipment for the Removal of Smoke and Grease Laden Vapors from Commercial Cooking Equipment*”, *NFPA-96-Latest Edition*.

General export and Australian installations

Installation must conform with Local and National installation standards. Local installation codes and/or requirements may vary. If you have any questions regarding the proper installation and/or operation of your Blodgett oven, please contact your local distributor. If you do not have a local distributor, please call the Blodgett Oven Company at 0011-802-860-3700.



WARNING:

Failure to properly vent the oven can be hazardous to the health of the operator and may result in operational problems, unsatisfactory baking and possible damage to the equipment.

Damage sustained as a direct result of improper ventilation will not be covered by the Manufacturer’s warranty.



Installation

Oven Assembly

OVEN STAND WITH CASTERS

NOTE: Install the locking casters on the front of the stand.

1. Attach each leg with casters to the stand frame with a lock washer and nut. DO NOT tighten completely.
2. Position the shelf between the legs with the smooth surface facing the top of the stand. Align the shelf with the holes in each leg. Attach the shelf to each leg with a nut and bolt.
3. Tighten the bolts installed in step 1.
4. Rest the oven on its back. Install the oven alignment pins (4) into the four holes provided on the bottom of the oven.
5. Place the oven onto the stand. Locate alignment pins with holes in frame of oven stand.

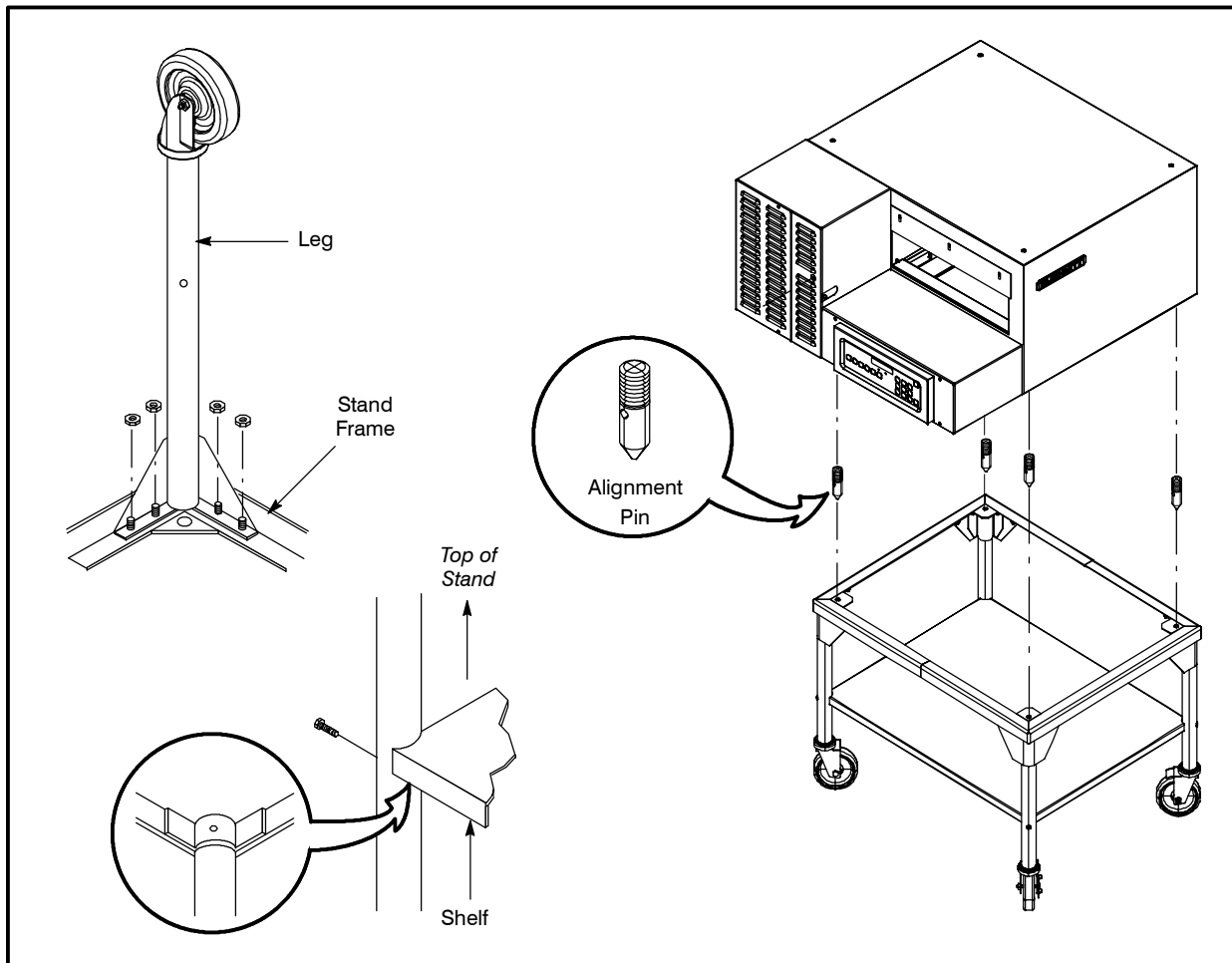


Figure 3



STACKING THE OVENS (if applicable)

Double Stacked

1. Assemble the bottom oven to the stand.
2. Rest the top oven on its back. Install the oven alignment pins (4) into the four holes provided on the bottom of the oven.
3. Remove the four knock-outs in the top of the bottom oven.
4. Carefully lift the upper oven off the pallet and place it on the lower oven. Locate alignment pins with holes in frame of lower oven.

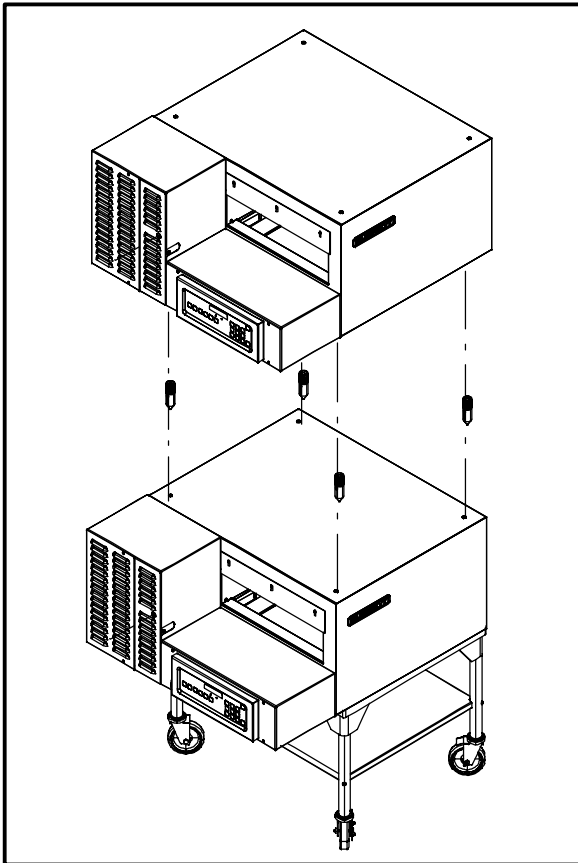


Figure 4

Triple Stacked

1. Rest the bottom oven on its back. Install a caster into each of the four holes in the corners of the oven bottom.
NOTE: Install the locking casters on the front of the oven.
2. Carefully lift the bottom oven onto the casters. Lock the front casters.
3. Rest the middle oven on its back. Install the oven alignment pins (4) into the four holes provided on the bottom of the oven.
4. Remove the four knock-outs in the top of the bottom oven.
5. Carefully lift the middle oven off the pallet and place it on the lower oven. Locate alignment pins with holes in frame of lower oven.
6. Repeat steps 3 and 5 for the top oven.

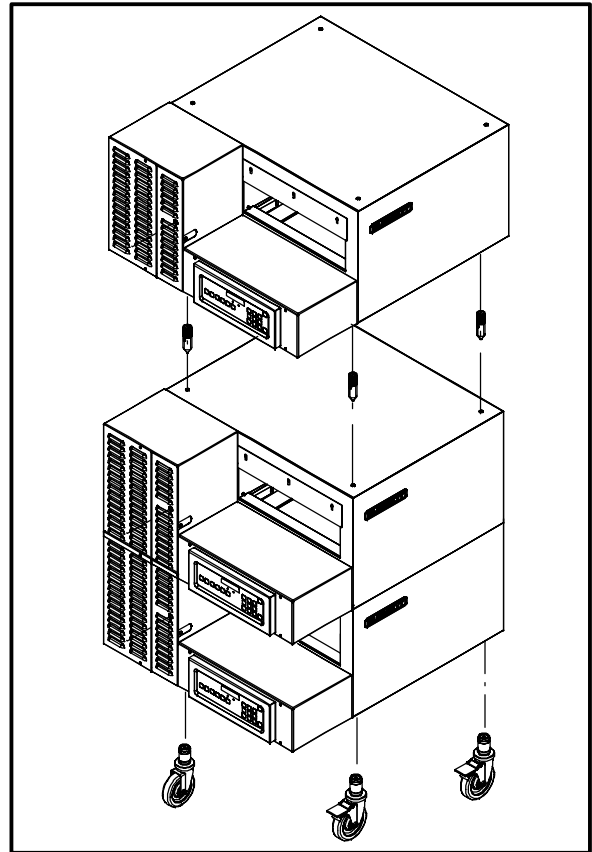


Figure 5



Installation

Oven Assembly

CONVEYOR BELT

1. Slide the conveyor assembly (with pulley on end of shaft) through the left hand tunnel opening. The sprocket must be located inside the control panel after being pushed into the oven. Refer to Figure 6.
2. Install the drive belt around the drive motor and then around the pulley on the conveyor assembly. Refer to Figure 7. Push the conveyor assembly back into the locating pins to tighten the belt.

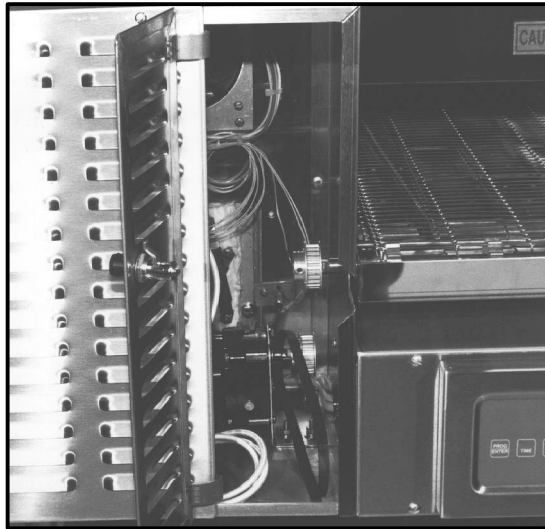


Figure 6



Figure 7

Oven Assembly

3. Unless specified otherwise, conveyor travel is factory set for left to right operation when facing the front of the oven. If a direction change is required, the polarity of the drive motor must be reversed. Turn the oven OFF and inter-

change the black and white motor leads at the D.C. controller located in the control panel. Refer to Figure 8. In addition, the conveyor belt must be installed from the left side of the oven vs. the right side.

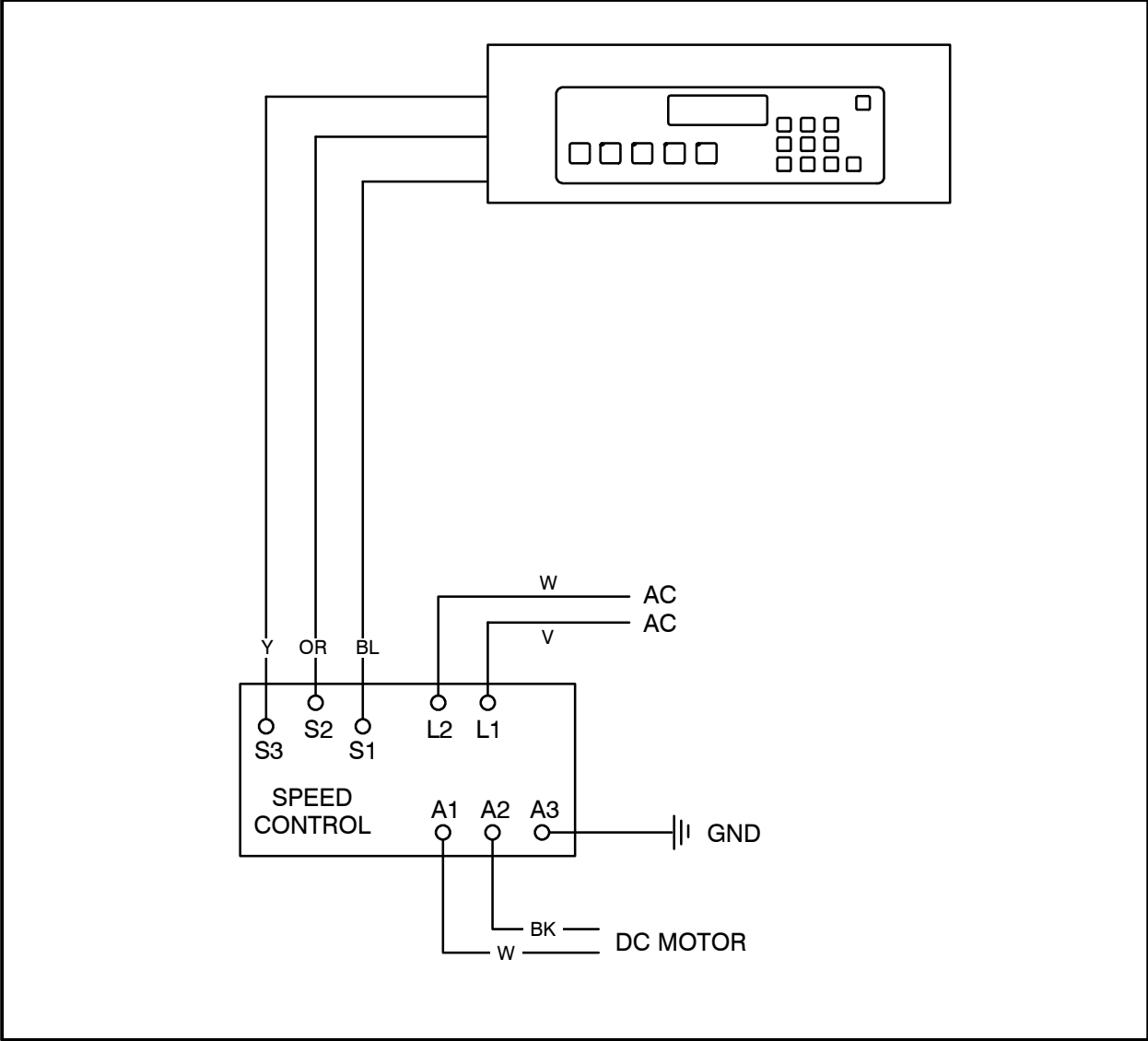


Figure 8



Installation

Oven Assembly

CRUMB PANS

1. Install crumb pans under each end of the conveyor.
2. Slide the product stop over the outer edge of the idle side crumb pan.



Figure 9

OPTIONAL REMOTE COMPUTER CONTROL

1. Drill the mounting holes for the cooking computer support base.
2. Mount the support base and cable support bracket to the wall.
3. Stack the cooking computer(s) on the support base. Connect the cables at the rear of the controller.
4. Secure the cables to the cable clamp support bracket and to the rear of the oven using cable clamps and screws.

NOTE: DO NOT overtighten the cable clamps. Damage to the wires may occur causing the computer to fail.

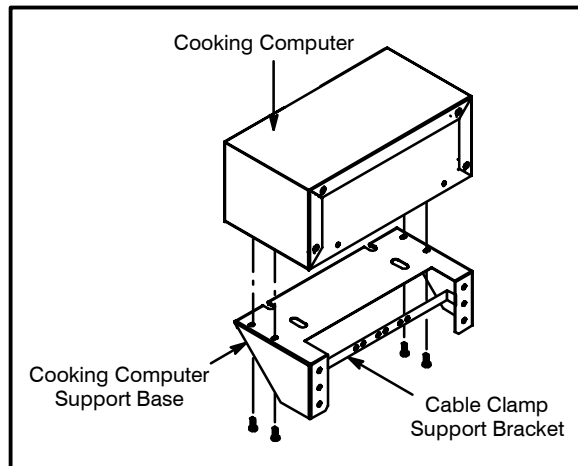


Figure 10

Utility Connections – Standards and Codes

THE INSTALLATION INSTRUCTIONS CONTAINED HEREIN ARE FOR THE USE OF QUALIFIED INSTALLATION AND SERVICE PERSONNEL ONLY. INSTALLATION OR SERVICE BY OTHER THAN QUALIFIED PERSONNEL MAY RESULT IN DAMAGE TO THE OVEN AND/OR INJURY TO THE OPERATOR.

Qualified installation personnel are individuals, a firm, a corporation, or a company which either in person or through a representative are engaged in, and responsible for:

- the installation or replacement of gas piping and the connection, installation, repair or servicing of equipment.
- the installation of electrical wiring from the electric meter, main control box or service outlet to the electric appliance.

Qualified installation personnel must be experienced in such work, familiar with all precautions required, and have complied with all requirements of state or local authorities having jurisdiction.

U.S. and Canadian installations

Installation must conform with local codes, or in the absence of local codes, with the *National Fuel Gas Code, NFPA54/ANSI Z223.1–Latest Edition*, the *Natural Gas Installation Code CAN/CGA-B149.1* or the *Propane Installation Code, CAN/CGA-B149.2* as applicable.

All ovens, when installed, must be electrically grounded in accordance with local codes, or in the absence of local codes, with the *National Electrical Code, ANSI/NFPA 70–Latest Edition* and/or *Canadian National Electric Code C22.2* as applicable.

General export and Australian installations

Installation must conform with Local and National installation standards. Local installation codes and/or requirements may vary. If you have any questions regarding the proper installation and/or operation of your Blodgett oven, please contact your local distributor. If you do not have a local distributor, please call the Blodgett Oven Company at 0011-802-860-3700.





Installation

Gas Connection

GAS PIPING

A properly sized gas supply system is essential for maximum oven performance. Piping should be sized to provide a supply of gas sufficient to meet the maximum demand of all appliances on the line without loss of pressure at the equipment.

Example:

NOTE: BTU values in the following example are for natural gas.

You purchase a MT1828G conveyor oven to add to your existing cook line.

- Add the BTU rating of your current appliances.

Pitco Fryer	120,000 BTU
6 Burner Range	60,000 BTU
Deck Oven	<u>50,000 BTU</u>
Total	230,000 BTU

- Add the BTU rating of the new oven to the total.

Previous Total	230,000 BTU
MT1828G	<u>40,000 BTU</u>
New Total	270,000 BTU

- Measure the distance from the gas meter to the cook line. This is the pipe length. Let's say the pipe length is 40' (12.2 m) and the pipe size is 1" (2.54 cm).

- Use the appropriate table to determine the total capacity of your current gas piping.

The total capacity for this example is 320,000 BTU. Since the total required gas pressure, 270,000 BTU is less than 320,000 BTU, the current gas piping will not have to be increased.

NOTE: The BTU capacities given in the tables are for straight pipe lengths only. Any elbows or other fittings will decrease pipe capacities. Contact your local gas supplier if you have any questions.

Maximum Capacity of Iron Pipe in Cubic Feet of Natural Gas Per Hour
(Pressure drop of 0.5 Inch W.C.)

Pipe Length (ft)	Nominal Size, Inches				
	3/4"	1"	1-1/4"	1-1/2"	2"
10	360	680	1400	2100	3950
20	250	465	950	1460	2750
30	200	375	770	1180	2200
40	170	320	660	990	1900
50	151	285	580	900	1680
60	138	260	530	810	1520
70	125	240	490	750	1400
80	118	220	460	690	1300
90	110	205	430	650	1220
100	103	195	400	620	1150

From the National Fuel Gas Code Part 10 Table 10-2

Maximum Capacity of Pipe in Thousands of BTU/hr of Undiluted P.P. Gas at 11" W.C.
(Pressure drop of 0.5 Inch W.C.)

Pipe Length (ft)	Outside Diameter, Inches		
	3/4"	1"	1-1/2"
10	608	1146	3525
20	418	788	2423
30	336	632	1946
40	287	541	1665
50	255	480	1476
60	231	435	1337
70	215	404	1241
80	198	372	1144
90	187	351	1079
100	175	330	1014

From the National Fuel Gas Code Part 10 Table 10-15



PRESSURE REGULATION AND TESTING

Each oven has been adjusted at the factory to operate with the type of gas specified on the rating plate attached to the left side of the control panel.

Each oven is supplied with a regulator to maintain the proper gas pressure. **The regulator is essential to the proper operation of the oven and should not be removed.** It is preset to provide the oven with 3.5" W.C. (0.87 kPa) while the flame is on. The regulator is located on top of the gas valve, between the manual shutoff and solenoid valves.

DO NOT INSTALL AN ADDITIONAL REGULATOR WHERE THE OVEN CONNECTS TO THE GAS SUPPLY UNLESS THE SUPPLY EXCEEDS THE MAXIMUM.

NOTE: The maximum gas supply pressure to the oven is 10.5" W.C. (2.61 kPa). The minimum gas supply pressure to the oven is 4.5" W.C. (1.1 kPa).

Installation must conform with local codes, or in the absence of local codes, with the *National Fuel Gas Code, NFPA54/ANSI Z223.1—Latest Edition, the Natural Gas Installation Code CAN/CGA-B149.1* or the *Propane Installation Code, CAN/CGA-B149.2* as applicable.

The oven and its individual shutoff valve must be disconnected from the gas supply piping system during any pressure testing of that system at test pressures in excess of 1/2 psig (3.45kPa).

The oven must be isolated from the gas supply piping system by closing its individual manual shutoff valve during any pressure testing of the gas piping system at test pressures equal or less than 1/2 psig (3.45kPa).

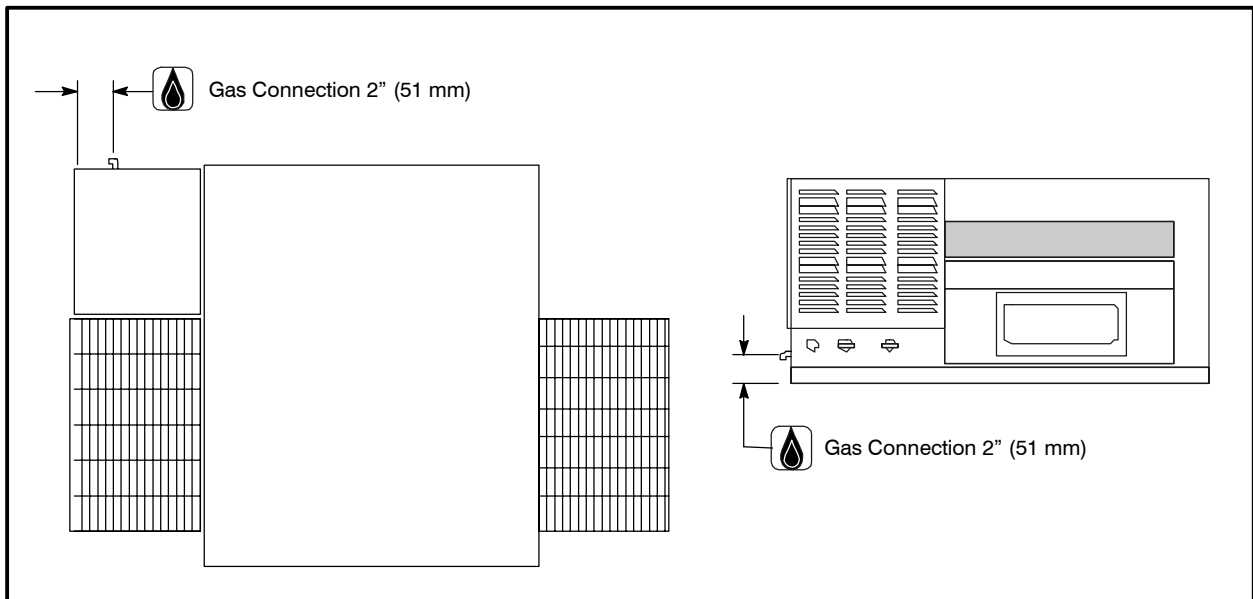


Figure 11



Installation

Gas Connection

GAS HOSE RESTRAINT

If the oven is mounted on casters, a commercial flexible connector with a minimum of 3/4" (1.9 cm) inside diameter must be used along with a quick connect device.

The restraint, supplied with the oven, must be used to limit the movement of the unit so that no strain is placed upon the flexible connector. The restraint should be fastened to the base frame of the oven as close to the flexible connector as possible. It should be short enough to prevent any strain on the connector. With the restraint fully stretched the connector should be easy to install and quick connect.

The restraint (ie: heavy gauge cable) should be attached without damaging the building. **DO NOT** use the gas piping or electrical conduit for the attachment of the permanent end of the restraint! Use anchor bolts in concrete or cement block. On wooden walls, drive hi test wood lag screws into the studs of the wall.



WARNING!!

If the restraint is disconnected for any reason it must be reconnected when the oven is returned to its original position.

U.S. and Canadian installations

The connector must comply with the *Standard for Connectors for Movable Gas Appliances, ANSI Z21.69* or *Connectors For Moveable Gas Appliances CAN/CGA-6.16* and a quick disconnect device that complies with the *Standard for Quick-Disconnect Devices for Use With Gas Fuel, ANSI Z21.41* or *Quick Disconnect For Use With Gas Fuel CAN 1-6.9*. Adequate means must be provided to limit the movement of the appliance without depending on the connection and the quick disconnect device or its associated piping.

A drip leg must be used at each appliance. Refer to *NFPA54/ANSI Z223.1 - Latest Edition* (National Fuel Gas Code) for proper drip leg installation.

General export and Australian installations

The restraint and quick connect must conform with Local and National installation standards. Local installation codes and/or requirements may vary. If you have any questions regarding the proper installation and/or operation of your Blodgett oven, please contact your local distributor. If you do not have a local distributor, please call the Blodgett Oven Company at 0011-802-860-3700.

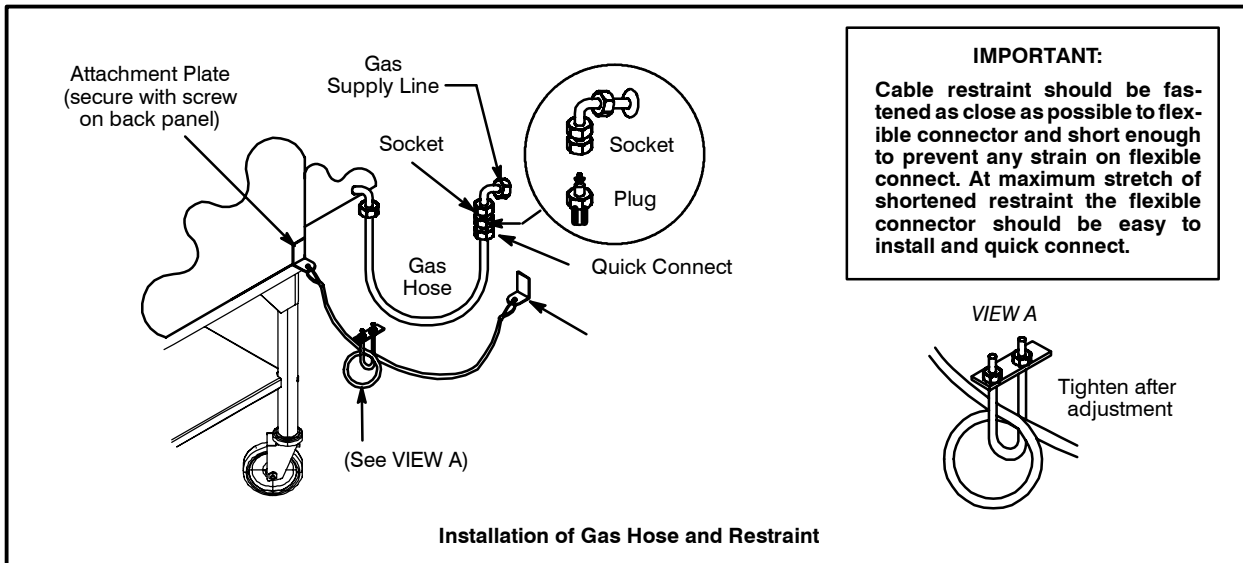


Figure 12



Before making any electrical connections to this unit, check that the power supply is adequate for the voltage, amperage, and phase requirements stated on the rating plate.

A wiring diagram accompanies this manual and is also attached to the inside of the control box.

MT1828G

U.S. and Canadian installations

The MT1828G requires a 15 Amp, 60HZ, 1 Φ , 208-240VAC, 4 wire service consisting of L1, L2, neutral and ground. Wiring from the power source to these units must be a minimum of #16 AWG copper stranded wire or larger.

General export and Australian installations

The MT1828G requires a 15 Amp, 50 or 60Hz, 1 Φ , 220/240 VAC, 3 wire service consisting of L1, neutral and ground. Use 90°C wire and size wire according to local codes.

MT1828E

U.S. and Canadian installations

The MT1828E is available in either 1 Φ or 3 Φ models. Single phase models require a 60Hz, 208/240VAC, 3 wire service consisting of L1, L2 and ground. Three phase models require a 60Hz, 208/240VAC, 4 wire service consisting of L1, L2, L3 and ground. Wiring from the power source to any of these units must be a minimum of #8 AWG copper stranded wire or larger for 3 phase and #4 AWG for 1 phase.

General export and Australian installations

The MT1828E is available in either 1 Φ or 3 Φ models. Single phase models require a 50 Hz, 220/240VAC, 3 wire service consisting of L1, L2 and ground. Three phase models are available in either Delta or WYE configurations. Delta models require 50Hz, 208/240VAC, 4 wire service consisting of L1, L2, L3 and ground. WYE models require 50 Hz, 415/240 VAC, 5 wire service consisting of L1, L2, L3, neutral and ground. Use a minimum of 8.37 mm² copper stranded wire or larger for 3 phase and 21.15 mm² for 1 phase.

CAUTION:

Single phase units MUST NOT be connected to the high phase of a three (3) phase system. High phase refers to a potential of 240 volts between one leg and neutral. The remaining two legs will have a potential of 115 volts between each phase and neutral. FAILURE TO DO SO WILL RESULT IN EXTENSIVE DAMAGE TO ELECTRICAL COMPONENTS AND POSSIBLE FIRE IN THE CONTROL BOX.

THE BLODGETT OVEN COMPANY CANNOT ASSUME RESPONSIBILITY FOR LOSS OR DAMAGE SUFFERED AS A RESULT OF IMPROPERLY INSTALLED UNITS.



WARNING!!

Incorrect wiring will result in extensive damage to electrical components and possible fire in the control panel.



Installation

Electrical Connection

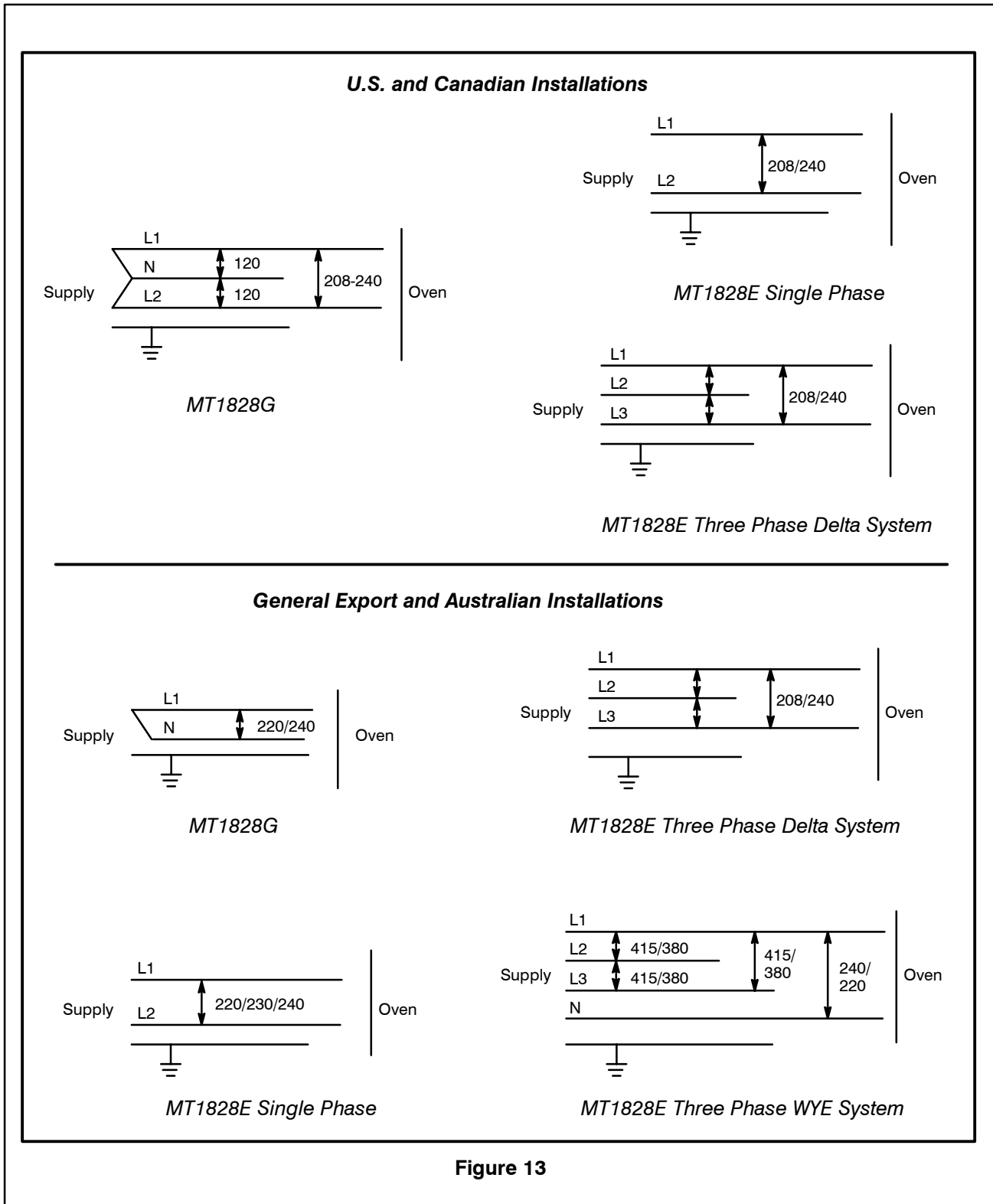


Figure 13

THE INFORMATION CONTAINED IN THIS SECTION IS PROVIDED FOR THE USE OF QUALIFIED OPERATING PERSONNEL. QUALIFIED OPERATING PERSONNEL ARE THOSE WHO HAVE CAREFULLY READ THE INFORMATION CONTAINED IN THIS MANUAL, ARE FAMILIAR WITH THE FUNCTIONS OF THE OVEN AND/OR HAVE HAD PREVIOUS EXPERIENCE WITH THE OPERATION OF THE EQUIPMENT DESCRIBED. ADHERENCE TO THE PROCEDURES RECOMMENDED HEREIN WILL ASSURE THE ACHIEVEMENT OF OPTIMUM PERFORMANCE AND LONG, TROUBLE-FREE SERVICE.

Please take the time to read the following safety and operating instructions. They are the key to the successful operation of your Blodgett conveyor oven.



SAFETY TIPS

For your safety read before operating

What to do if you smell gas:

- DO NOT try to light any appliance.
- DO NOT touch any electrical switches.
- Use an exterior phone to call your gas supplier immediately.
- If you cannot reach your gas supplier, call the fire department.

What to do in the event of a power failure:

- Turn all switches to off.
- DO NOT attempt to operate the oven until the power is restored.

NOTE: In the event of a shut-down of any kind, allow a five (5) minute shut off period before attempting to restart the oven.

What to do for emergency shut down:

- For ovens with remote control, the unit is equipped with an emergency shut down switch. Should you need to stop the belt, fans, or heat press the emergency switch. DO NOT use the emergency switch as a general on/off switch.

General safety tips:

- DO NOT use tools to turn off the gas control. If the gas cannot be turned off manually do not try to repair it. Call a qualified service technician.
- If the oven needs to be moved for any reason, the gas must be turned off and disconnected from the unit before removing the restraint cable. Reconnect the restraint after the oven has been returned to its original location.
- DO NOT remove the control box cover unless the oven is unplugged.



Operation

Cooking Computer

CONTROL DESCRIPTION

1. DIGITAL DISPLAY – displays the time, temperature and controller related information.
2. OVEN ON/OFF – controls power to the oven.
3. NUMERIC KEYS – used to enter numbers in the programming mode.
4. CLEAR KEY – clears the display if an error is made in the programming mode.
5. SET TEMP KEY – press to view or program the temperature setpoint.
6. ACT TEMP KEY – press to view the current oven temperature.
7. TIME KEY – press to view or program the cook time.
8. PROG/ENTER KEY – press to enter and exit the programming mode and lock in programmed settings.
9. STATUS LAMPS – when lit indicate the fan or burners are operating.

PROGRAMMING

Programming the Cook Time:

1. Press the PROGRAM/ENTER key (8).
2. Press the TIME key (7). The display reads *SET • TIME-?*.
3. Use the NUMERIC keys (3) to enter the desired cook time. If an error is made, press the CLEAR key (4) and re-enter the number.
4. Press the PROGRAM/ENTER key (8) to store the new cook time in the computer's memory.

Programming the Temperature:

1. Press the PROGRAM/ENTER key (8).
2. Press the SET TEMP key (5). The display reads *SET • TEMP-?*.
3. Use the NUMERIC keys (3) to enter the desired temperature set point. If an error is made, press the CLEAR key (4) and re-enter the number.
4. Press the PROGRAM/ENTER key (8) to store the new temperature setpoint in the computer's memory.

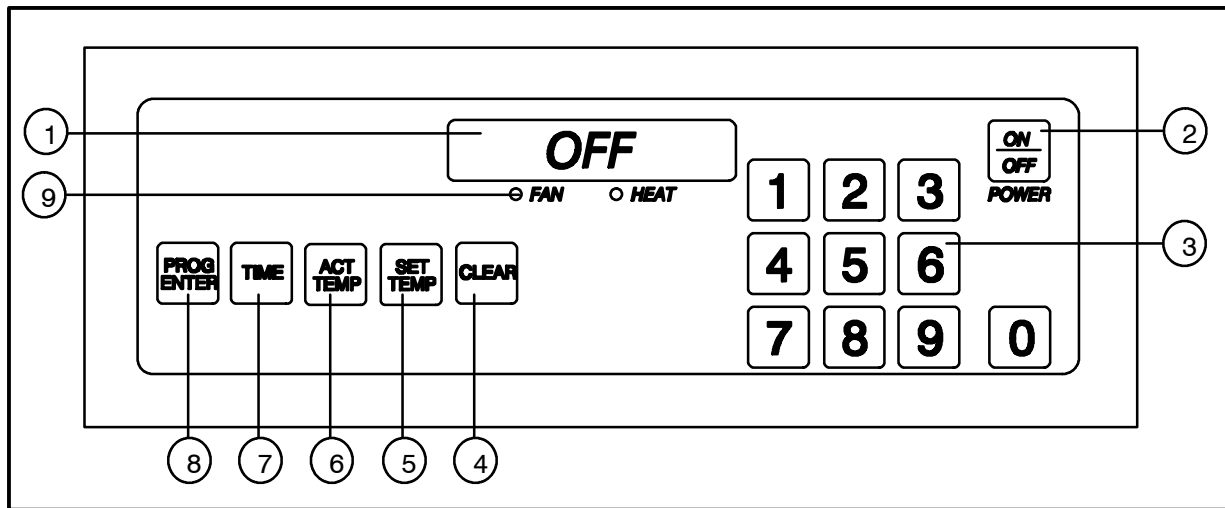


Figure 14

OPERATION

To turn the oven on:

1. Turn the manual gas valve to ON. (Gas models only)
2. Press and hold the ON/OFF key (2). The display reads *OFF* when the oven is idle.
3. The STATUS LAMPS (9) light. The fans begin to run. The heat rises to the temperature setting stored in the computer's memory. The conveyor belt begins to travel at the speed stored in memory.
4. The display flashes *WAIT • LOW • SET • TIME • mmss* until the oven reaches the programmed bake temperature.
5. The display reads *READY* and the HEAT lamp (9) goes out. The oven is now ready to accept product.

To view the cook time setting:

1. Press the TIME key (7). The LED on the key lights and the display flashes *SET • TIME • mmss*.

To display the actual oven temperature:

1. Press the ACT TEMP key (6). The LED on the key lights and the display flashes *ACTUAL • nnn°F*.

To view the temperature set point:

1. Press the SET TEMP key (5). The LED on the key lights and the display flashes *SET • TEMP • nnn°F*.

To turn the oven off:

1. Press the ON/OFF key (2). The oven is equipped with a cool-down feature for motor shaft and bearing protection. This enables the blower motor(s) to run regardless of the controller status. The blower(s) continue to run until the oven cools to a safe temperature.

DISPLAY INFORMATION

WAIT • LOW – the present oven temperature is lower than the set point temperature. When the oven reaches the set point temperature the display changes to *READY*.

READY – the oven is ready to accept product.

SET • TIME • mmss – the current cook time setting.

HIGH • TEMP – the temperature is above the set point. Wait until the display reads ready before loading product.

HIGH • TEMP • LIMIT – the oven temperature exceeds the high limit. The Over Temperature Alarm buzzer sounds. Shut the oven off and wait for the unit to cool down.

HIGH • TEMP • PANEL – the control area reaches an excessive temperature. Shut the oven off and wait for the unit to cool down.

PROBE • OPEN • PROBE • SHORT – the temperature sensor has failed. The Alarm buzzer sounds. Shut the oven off and contact a service representative.



Operation

Oven Adjustments for Cooking

The combination of belt time, oven temperature, and air flow are important for achieving quality results from your Blodgett conveyor oven. Use the following guidelines to adjust the belt time and oven temperature of your unit. For questions regarding further oven adjustments, please contact your local Blodgett Sales Representative for assistance.

CONVEYOR SPEED AND OVEN TEMPERATURE

Conveyor belt speed (cook time) and oven temperature are the two variables used when fine tuning your oven for a specific product. To determine the optimum bake time and temperature, make small changes for each trial and keep one variable constant. For example, if the oven temperature is 460°F (238°C) and the belt speed is 7 minutes, but the pizza is not browned enough, increase the temperature to 475°F (246°C) and keep the belt speed the same. However, if the center of the pizza is not completely cooked, keep the oven temperature the same, and increase the bake time to 7 minutes and 30 seconds. In general, raise the bake temperature to increase browning, and lengthen the bake time to increase doneness.

FINISHED PRODUCT TEMPERATURES

Internal temperatures of the cooked products should be measured immediately after the product exits the cooking chamber to ensure a safe food temperature. Internal pizza temperatures should be over 165°F (74°C). Minimum temperature guidelines vary depending on the food items.

AIR FLOW ADJUSTMENTS

Slide the product clearance adjustment plates to the lowest possible setting for your menu items. Lowering the clearance plates will reduce the amount of hot air escaping from the chamber openings.

Most often, the ideal oven settings can be dialed in without making any changes to the airplate. The oven configuration should not be modified unless the oven time and temperature adjustments have proven unsuccessful.

Air flow adjustments may be necessary to fine tune the oven for your particular product. The air plate, located at the top of the baking chamber, contains holes that can be covered using Block-off Plates. The plates can easily be adjusted to regulate the air flow for your particular needs. Use the following guidelines to adjust the Block-off Plates. See Figure 15.

1. Ensure the oven is OFF and completely cooled.
2. Remove the product clearance adjustment plate from the idle side of the oven.
3. Pull the air plate out of the oven.
4. Remove the wing nuts, screws, and washers holding the Block-off Plates.
5. Adjust the plates.
6. Replace the wing nuts, screws, and washers to tightly secure the Block-off plates in their new locations. Make a sketch of the final air-plate setup for future reference.
7. Replace the air plate and product clearance adjustment plate.

The following examples illustrate air flow regulation.

NOTE: The first half of the oven chamber greatly affects the initial baking of the product, while the last half largely affects the browning.

- A good bake time and temperature have been established, but more top browning is desired. Slide one of the Block-off Plates to uncover a row of holes toward the exit end of the oven.
- The bottom of the pizza is golden brown, but the top is too dark. Close rows at the exit end of the oven to reduce final browning.
- The center of the pizza is still doughy and the toppings are not fully cooked. Open up rows at the chamber entrance and close rows at the chamber exit.

Oven Adjustments for Cooking

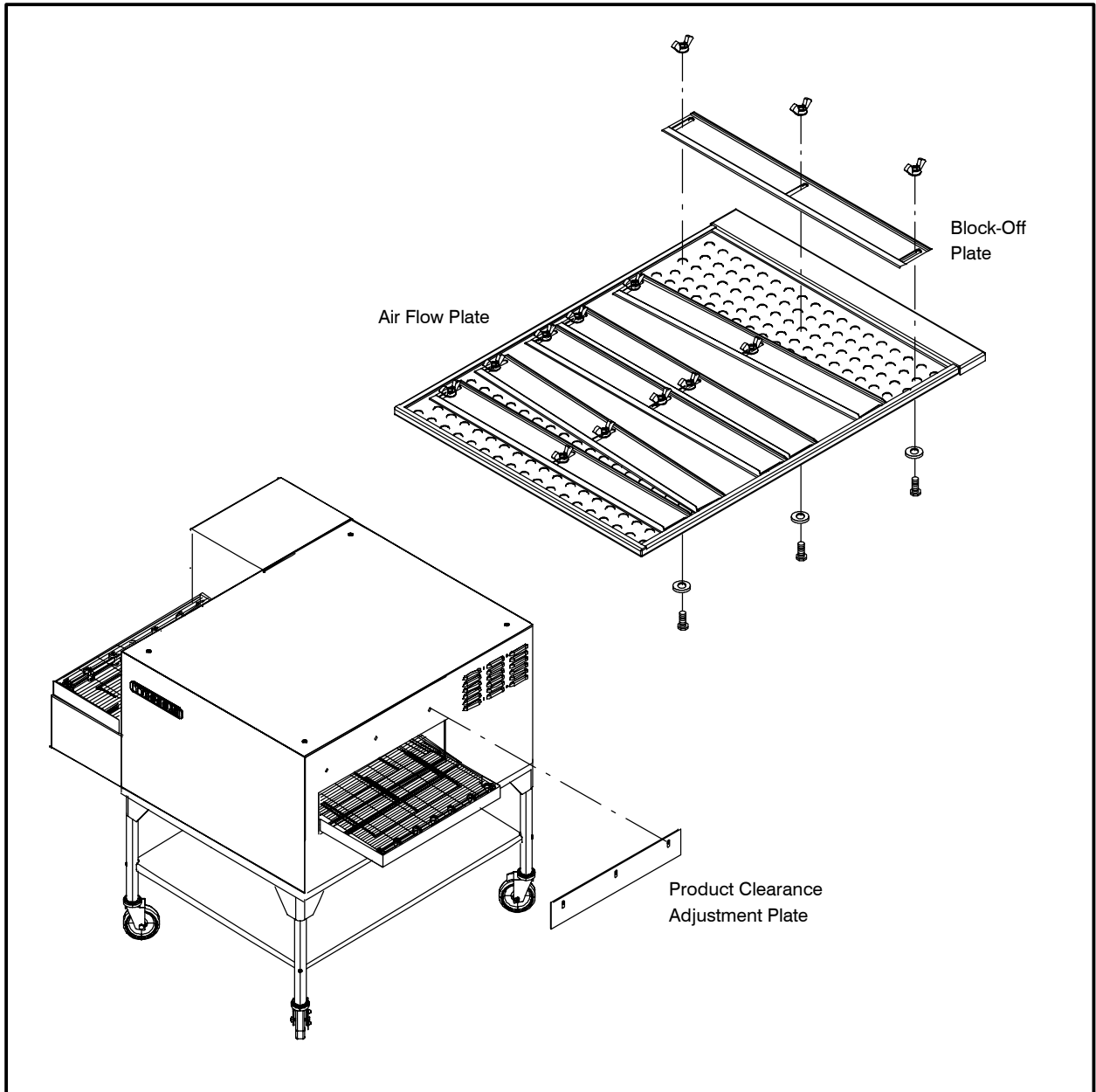


Figure 15



Maintenance

Cleaning



WARNING!!

Always disconnect the power supply before cleaning or servicing the oven.



WARNING!!

If a gas oven needs to be moved, the gas must be turned off and disconnected from the unit before removing the restraint. Reconnect the restraint after the oven has been returned to its original location.

Follow this recommended cleaning schedule for proper oven performance.

Daily:

1. Clean the conveyor belt using a wire brush. Allow any foreign material to drop into the crumb pans.
2. Empty and clean the crumb pans. Use a hot water and detergent mix. Rinse with clean water.
3. Make sure cooling fans are operating.

Every Three Months:

1. Brush and clean the guards of the cooling fans.

Every Six Months:

1. Unplug the oven. On gas models, disconnect the gas connections.
2. Remove the crumb pans.
3. Remove the conveyor assembly as follows:
 - a.) Pull the conveyor assembly out of the locating pins to loosen the drive belt.
 - b.) Remove the drive belt from the drive motor and then around the pulley on the conveyor assembly.
 - c.) Slide the conveyor assembly out through the left hand tunnel opening.
4. Slide the nozzles out of the baking chamber.

5. Remove the product clearance adjustment plate. Slide the air plate out of the baking chamber.
6. Clean the oven interior with an appropriate oven cleaner safe for aluminum.
7. Clean the conveyor assembly, crumb pans air plate and nozzles. Wash in a hot water, detergent mix and rinse with clean water. For difficult cleaning areas, use a "heavy-duty degreaser" or oven cleaner that is safe for aluminum.
8. Move the oven (if not already moved) and clean under it. Be careful not to damage oven's gas hose or electrical cords when moving.
9. Reassemble the oven. Install the nozzles as follows:

NOTE: Install the nozzles in the order shown in Figure 16.

- a.) Start from the center of the oven and work toward the ends.
- b.) Make sure the rear opening of each nozzle fits over the rectangular frame in the nozzle support plate at the rear of the oven.
- c.) The front of the nozzle rests in the support at the front of the oven.
- d.) Try to move the nozzle from side to side. It should not move any appreciable distance.

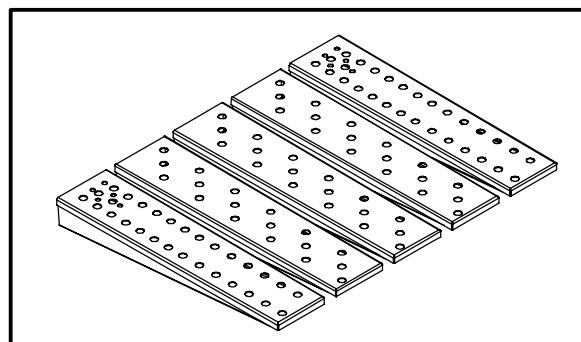


Figure 16

Every 12 Months:

A factory authorized service person should:

1. Open and clean the inside of the control panel.
2. Check and tighten all electrical connections.
3. Check DC gear motor brushes for wear.
4. Check the drive belt for cleanliness.
5. MT1828G – Lubricate the combustion air blower motor with six drops of Anderal #465 oil

If maintenance is required contact your local service company, a factory representative or the Blodgett Oven company.



WARNING!!

Always disconnect the power supply before cleaning or servicing the oven.



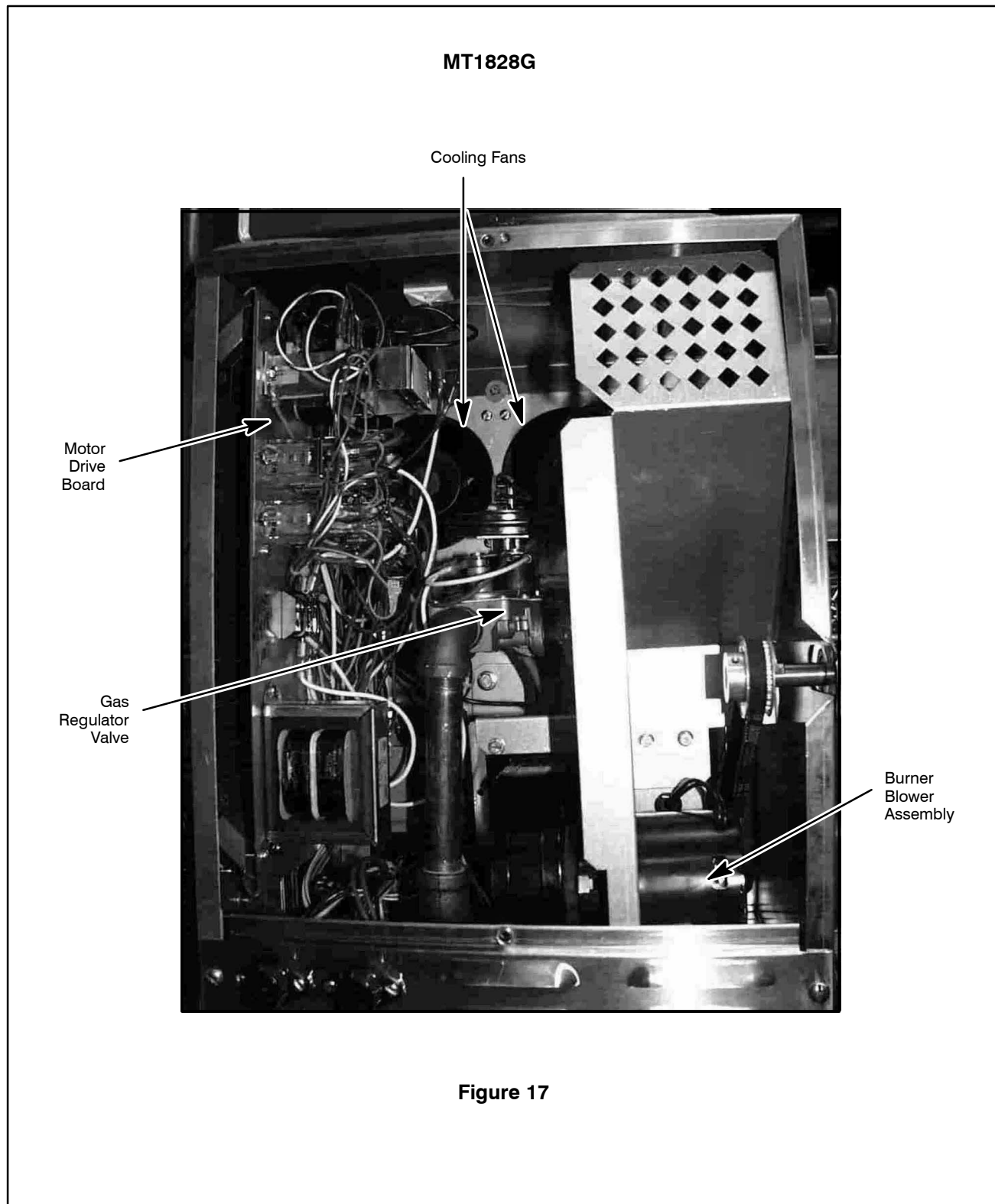
WARNING!!

If the oven needs to be moved, the gas must be turned off and disconnected from the unit before removing the restraint. Reconnect the restraint after the oven has been returned to its original location.

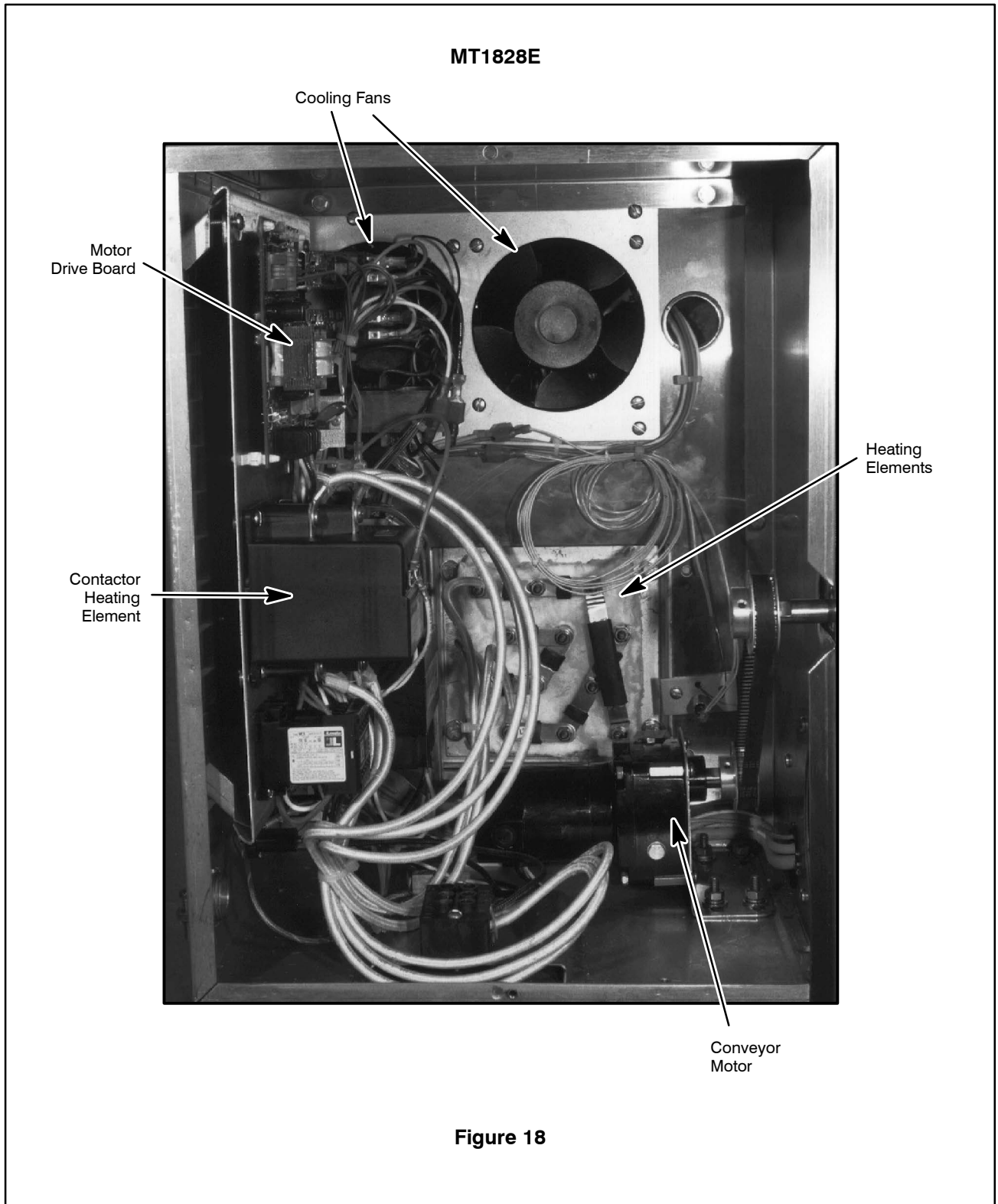


Maintenance

Control Box Component Locations



Control Box Component Locations





Maintenance

Troubleshooting Guide

POSSIBLE CAUSE(S)	SUGGESTED REMEDY
SYMPTOM: Blower motor(s) not running	
<ul style="list-style-type: none"> • Computer control turned OFF • No power to oven • Motor circuit breaker open • Control circuit breaker open • Motor(s) burned out • Computer cable loose 	<ul style="list-style-type: none"> • Press ON/OFF key • Replace main fuses or reset breakers • Reset breaker • Reset breaker • * • *
SYMPTOM: Computer controller displays: HIGH TEMP LIMIT, PROBE OPEN, or PROBE SHORT	
<ul style="list-style-type: none"> • Computer controller not properly installed • Internal problem with computer controller • Loose probe connections at computer controller • Short in probe 	<ul style="list-style-type: none"> • Reinstall • * • * • *
SYMPTOM: Burner will not fire (MT1828G) or Elements will not heat (MT1828E)	
<ul style="list-style-type: none"> • Computer control turned OFF • Blower motor(s) not running • Computer temperature not set above ambient temperature • Cooling fan not working properly • Defective computer controller • Manual gas valve closed (MT1828G) 	<ul style="list-style-type: none"> • Press ON/OFF key • Blower motor(s) must be running. Check circuit breakers • Set to desired temperature • * • * • Open valve
<p>*Denotes remedy is a difficult operation and should be performed by qualified personnel only. It is recommended, however, that All repairs and/or adjustments be done by your local Blodgett service agency and not by the owner/operator. Blodgett cannot assume responsibility for damage as a result of servicing done by unqualified personnel.</p>	



WARNING!!

Always disconnect the power supply before cleaning or servicing the oven.

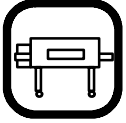
Troubleshooting Guide

POSSIBLE CAUSE(S)	SUGGESTED REMEDY
SYMPTOM: Oven will not reach desired temperature	
<ul style="list-style-type: none"> • Computer control turned OFF • No power to oven • Blower motor(s) not running • Shorted temperature probe • Temperature hi-limit switch out of adjustment or defective • Internal problem with main temperature controller • Cooling fan not working properly • Defective heating element relay • Gas pressure to oven is too low (MT1828G) 	<ul style="list-style-type: none"> • Press ON/OFF key • Replace main fuses • Check control switch and/or fuses • * • * • * • * • * • * • Contact local gas representative
SYMPTOM: Conveyor belt will not run	
<ul style="list-style-type: none"> • Computer control turned OFF • Control circuit fuse blown • Belt hooked on something in oven • Defective conveyor drive motor • Defective conveyor drive motor controller • Loose cable 	<ul style="list-style-type: none"> • Press ON/OFF key • Replace fuse • Turn oven OFF, Unhook and resolve problem • * • * • *
SYMPTOM: Burner operates sporadically (MT1828G)	
<ul style="list-style-type: none"> • Manual gas valve closed 	<ul style="list-style-type: none"> • Open valve
<p>*Denotes remedy is a difficult operation and should be performed by qualified personnel only. It is recommended, however, that All repairs and/or adjustments be done by your local Blodgett service agency and not by the owner/operator. Blodgett cannot assume responsibility for damage as a result of servicing done by unqualified personnel.</p>	



WARNING!!

Always disconnect the power supply before cleaning or servicing the oven.



Introduction

Description et Spécifications du Four

La cuisson dans un four à bande transporteuse diffère de celle qui se fait dans un four superposable ou juxtaposable traditionnel en ce qu'un ventilateur monté dans une chambre fermée fait constamment circuler l'air chaud au-dessus des aliments, ce qui permet une pénétration plus rapide de la chaleur. Le résultat est un produit d'une qualité comparable à celle obtenue dans un four traditionnel, cuit à une température inférieure dans un délai plus court.

Les fours à bande transporteuse Blodgett sont des fours à gaz à chauffage direct qui utilisent des produits à combustion à haute température pour la cuisson. Cela représente le progrès le plus récent en termes de rendement énergétique, de fiabilité et de facilité d'utilisation. La chaleur normalement perdue recircule à l'intérieur de la chambre de cuisson avant d'être évacuée du four. Des réductions substantielles de consommation d'énergie sont obtenues en même temps qu'une amélioration des performances du four.

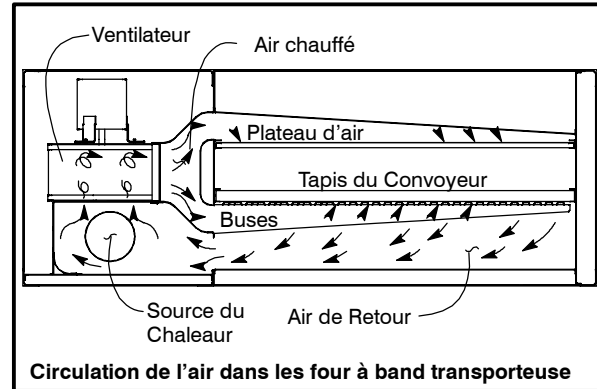
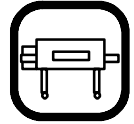
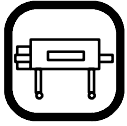


Figure 19



Description et Spécifications du Four

CARACTÉRISTIQUES	MT1828G/AB	MT1828E/AA
Largeur de la bande	46 cm (18 po)	
Longueur de la zone de cuisson	71 cm (28 po)	
Surface de cuisson	.34 m ² (3.7 Sq. Ft.)	
Dimensions (Appareil simple)	104 cm x 89 cm x 46 cm (41 po x 35 po x 18 po)	
Température de fonctionnement maximum	315°C (600°F)	
Dégagement du produit	9.5 cm (3.75 po)	
Puissance maximum à l'entrée	40,000 BTU/Hr (11.7 kW) (42 .2MJ)	11.1 KW/hr.
Source d'alimentation	<p>É. U. et Canada</p> <p>120/208-240 VAC, 1Φ, 60Hz, 4 fils, 15 Ampères</p> <p>Exportation et l'Australie</p> <p>220/240 VAC, 1Φ, 50/60Hz, 3 fils, 15 Ampères</p>	<p>É. U. et Canada</p> <p>208 VAC, 1Φ, 60Hz, 3 fils, 52 ampères 240 VAC, 1Φ, 60Hz, 3 fils, 45 ampères 208 VAC, 3Φ, 60Hz, 4 fils, 30 ampères 240 VAC, 3Φ, 60Hz, 4 fils, 26 ampères</p> <p>Exportation et l'Australie</p> <p>240 VAC, 1Φ, 50Hz, 3 fils, 45 ampères 208-240 VAC, 3Φ, 50Hz, 4 fils, 30 ampères 380/220 VAC, 3Φ, 50Hz, 5 fils, 18 ampères 415/240 VAC, 3Φ, 50Hz, 5 fils, 17 ampères</p>
Source d'alimentation au gaz	4.5 po W.C. (1.1 kPa) minimum 10.5 po W.C. (2.61 kPa) maximum	Aucun
Branchement d'alimentation en gaz	3/4 po (1.9 cm) NPT	Aucun



Introduction

Description et Composantes du Four

Montage à convoyeur: Ce sont la courroie du convoyeur et le montage à crémaillère qui portent l'aliment à travers le four.

Boîtier de commande: contient les câblages électriques, ventilateur de refroidissement ou volets, moteur d'entraînement et courroie d'entraînement.

Moteur d'entraînement: Il fournit la puissance nécessaire au déplacement de la courroie du convoyeur. Located inside the control box.

Courroie d'entraînement: connecte le pignon du moteur d'entraînement au pignon de support de la bande transporteuse du côté de l'entraînement.

Chambre de cuisson: Les aliments sur la courroie passent par la chambre de cuisson.

Contrôles du Four: On les utilise pour contrôler la température du four, la vitesse de la courroie et aussi pour d'autres fonctions.

Buses: Situées à l'intérieur du four, sous la courroie du convoyeur, elles distribuent l'air chauffé à partir du fond de la chambre de cuisson.

Ramasse-miettes: Situés sous la courroie du convoyeur aux deux extrémités de la chambre de cuisson, ils attrapent les miettes des aliments laissées sur le convoyeur.

Plaque de circulation d'air: Elle distribue l'air chauffé à partir de la partie supérieure du four

Interrupteur d'arrêt d'urgence: permet, en cas d'urgence, à l'utilisateur d'arrêter le four et la bande transporteuse. **Ne pas utiliser pour l'arrêt normal.**

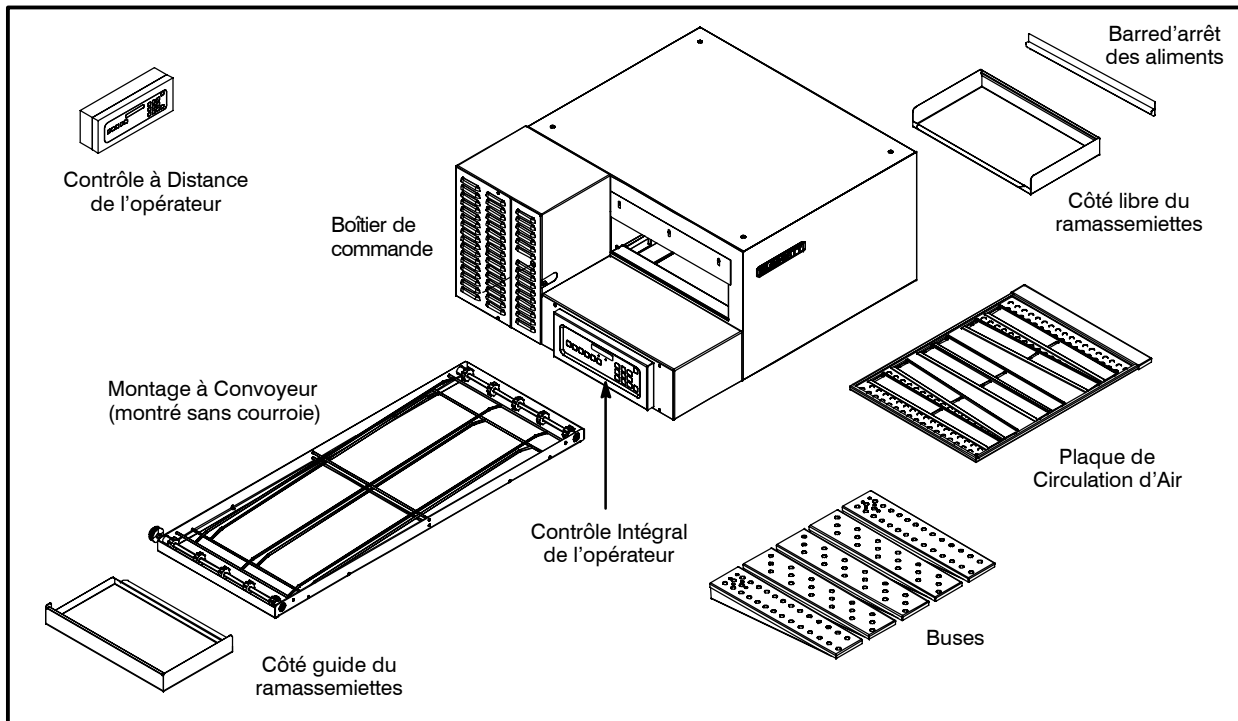


Figure 20



Tous les fours sont expédiés en conteneurs. A la réception de votre four Blodgett vous devez:

- Vérifier que les emballages ne sont pas abimés. Toute défection dans l'emballage doit être notée sur l'accusé de réception de la marchandise; celui-ci doit être signé par le chauffeur.
- Sortir le four de son emballage et vérifier son bon état. Les transporteurs n'acceptent les réclamations et plaintes que si elles sont faites dans les quinze jours qui suivent la livraison et si l'emballage a été conservé afin d'être inspecté.

La Blodgett Oven Co., n'est pas responsable des dégâts subis pendant le transport. Le transporteur est seul responsable de la livraison du matériel en bon état lorsque l'expédition a été acceptée. Néanmoins, nous sommes à votre disposition pour vous aider à composer votre dossier de réclamation.

Le four peut alors être déplacé jusqu'à son lieu d'installation. Comparez la liste ci-dessous à la Figure 20 page 30 pour vous assurer que vous avez reçu toutes les pièces.

Description des Pièces	Qté.
Partie principale du four	1
Montage à convoyeur	1
Plateau pour miettes	2
Arrête du produit	1
Buses	5
Paquet contenant 4 broches d'alignement	1*
Manuel d'utilisation	1*
Chariot	1**
Roulettes à triple empilage	1**
L'ordinateur de cuisson détaché	1**
Base de support de l'ordinateur de cuisson détaché	1**
Les câbles d'ordinateur de cuisson détaché	1**

REMARQUE:* Article non illustré.
**En Option



Installation

Implantation et aération du four

IMPLANTATION DU FOUR

L'implantation correcte et bien étudiée du four sera à l'avantage à long terme de l'opérateur et permettra d'obtenir un rendement satisfaisant.

Les espaces de dégagement ci-dessous doivent être prévus entre le four et toute construction combustible ou non.

- Côté du four – 40.6 cm (16 po)
- Arrière du four – 0 cm (0 po)

Les espaces de dégagement ci-dessous doivent être possible pour permettre l'entretien.

- Côté du four – 96.5 cm (38 po)
- Arrière du four – 71 cm (28 po)

REMARQUE: L'entretien régulier peut en général être effectué dans les limites du déplacement que permet la chaîne de retenue. Si le four doit être plus écarté du mur, l'alimentation en gaz doit être coupée et la canalisation débranchée du four avant d'enlever la chaîne. Celle-ci doit être utilisée pour empêcher d'exercer toute contrainte sur le coupleur de gaz.

Il est essentiel qu'une circulation d'air adéquate au four soit maintenue pour apporter un débit d'air de combustion et de ventilation suffisant.

- L'emplacement ne doit pas avoir de courants d'air.
- Maintenez la zone du four libre et dégagée de tous matériaux combustibles tels que le papier, le carton, ainsi que les liquides et solvants inflammables.
- NE placez PAS le four sur un socle à bordure. L'une comme l'autre de ces installations gênera la circulation d'air vers le compartiment de combustion et empêchera une bonne ventilation des moteurs de soufflantes. Une telle situation doit être rectifiée si l'on veut empêcher que le four ne soit définitivement endommagé.
- Le déclenchement du dispositif de surchauffe de ces moteurs indique une température ambiante excessive à l'arrière du four. Une telle situation doit être rectifiée si l'on veut empêcher que le four ne soit définitivement endommagé.

AÉRATION DU FOUR

On ne saurait trop insister sur la nécessité de prévoir un système d'aération bien conçu. Un tel système permettra au four de bien fonctionner, tout en évacuant les vapeurs et produits de combustion gênants de la zone d'utilisation.

L'extraction des fumées de combustion de l'appareil doit se faire au moyen d'un groupe d'aspiration à commande mécanique. Celui-ci doit être dimensionné de façon à ce qu'il recouvre entièrement l'appareil, tout en dépassant d'au moins 15 cm (6 po) de tous les côtés qui ne sont pas contigus à un mur. La distance entre le sol et le bord inférieur du groupe d'aspiration ne doit pas dépasser 2,10 mètres (7'). Le groupe doit avoir la capacité qui convient et un appoint d'air adéquat doit être prévu.

Installations aux États-Unis et au Canada

Se reporter aux codes locaux de la ventilation. En l'absence de codes locaux, se reporter au code national de la ventilation intitulé "Normes pour l'installation d'équipements pour l'enlèvement des fumées et vapeurs grasses provenant d'équipements commerciaux pour la cuisine", NFPA-96-Édition la plus récente.

Installations des appareils exportés et l'Australie

La bride et le dispositif de branchement rapide doivent être conformes aux normes locales et nationales. Les codes d'installation et/ou les exigences peuvent varier d'une localité à l'autre. Si vous avez des questions portant sur l'installation et/ou l'utilisation adéquate de votre four Blodgett, veuillez contacter votre distributeur local. Si aucun distributeur local n'est situé dans votre localité, veuillez appeler Blodgett Oven Company au 0011-802-860-3700.



AVERTISSEMENT!!

Une mauvaise extraction des fumées de combustion du four peut mettre en danger la santé de l'opérateur. Elle aura également pour résultats des problèmes de fonctionnement, une cuisson laissant à désirer et de possibles dégâts subis par le matériel.

Les dégâts résultant directement d'une aération inadéquate ne seront pas couverts par la garantie offerte par le fabricant.

BASE DE SUPPORT DU FOUR AVEC ROULETTES

REMARQUE: Les roulettes freinées doivent être tournées vers le devant du chariot.

1. Fixez chaque pied doté de roulettes au cadre, à l'aide d'une rondelle de blocage et d'un boulon. NE serrez PAS complètement.
2. Placez l'étagère entre les pieds en veillant à ce que sa surface lisse soit dirigée vers le haut du support. Alignez l'étagère avec les trous qui se trouvent dans chaque pied. Fixez l'étagère à chaque pied un boulon et un écrou.
3. Serrez les boulons installés à l'étape 1.
4. Placez le four sur son dos. Installez les tiges d'alignement (4) du four dans les quatre trous situés au fond du four.
5. Placez le four sur le support en insérant les tiges d'alignement dans les trous qui se trouvent dans le cadre du support du four.

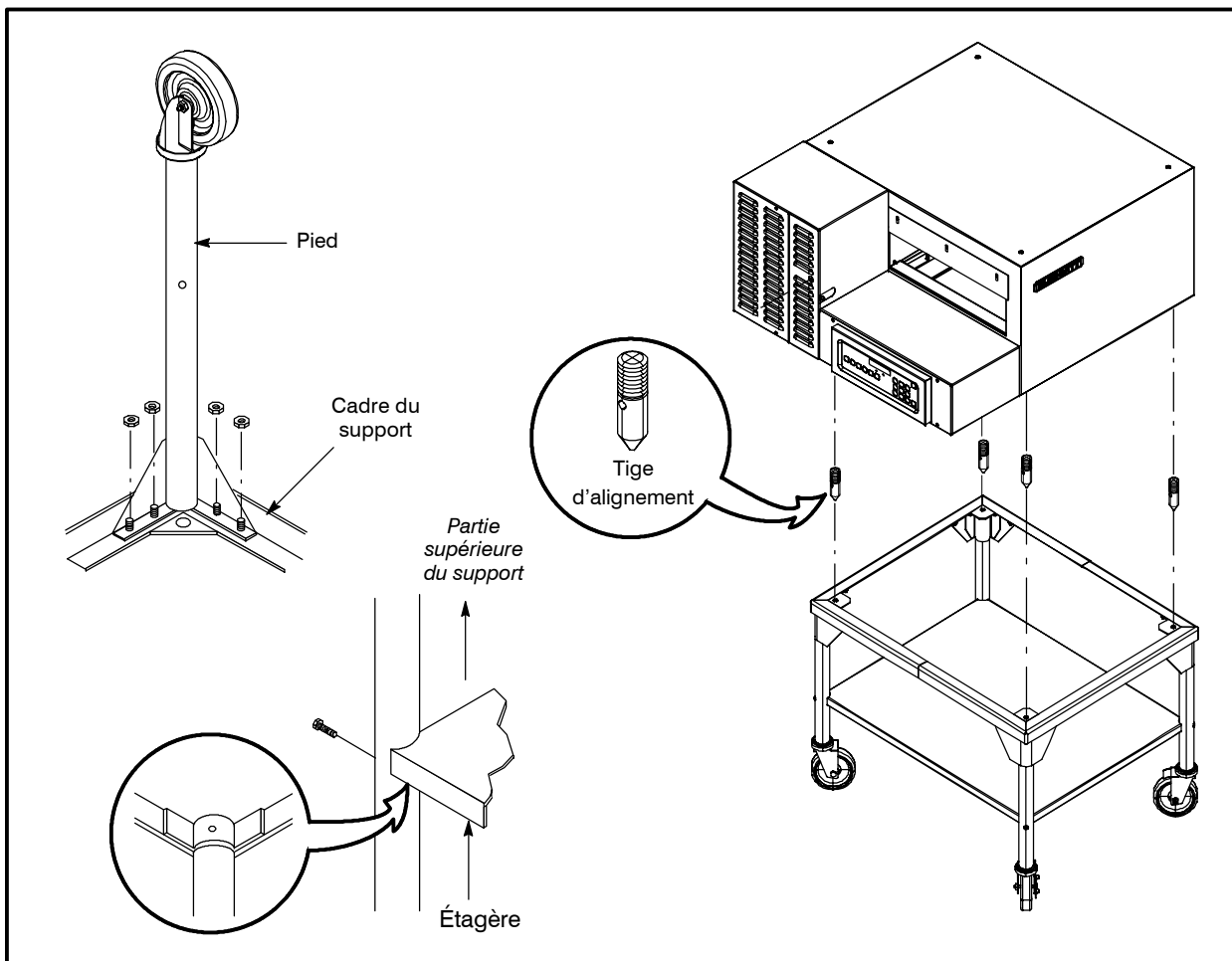


Figure 21



Installation

Montage du Four

SUPERPOSITION DES FOURS (si applicable)

Section Double

1. Attachez la partie inférieure du four au support.
2. Poser le four du haut sur le dos. Insérer les broches d'alignement (4) dans les quatre tr
3. Enlevez les quatre bouchons éjectables situés sur le dessus du four inférieur.
4. Sortir le four de la palette en le soulevant avec précaution et le placer sur ses broches d'alignement. Situer les broches d'alignement avec les trous dans le bâti du four du bas.

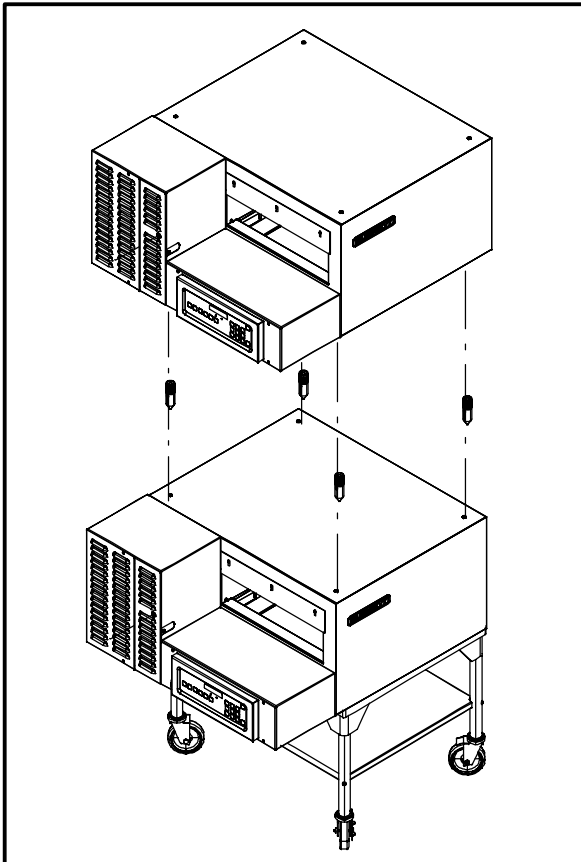


Figure 22

Section Triple

1. Coucher le four du bas sur le dos. Insérer les roulettes dans les quatre trous qui se trouvent en bas du four.
REMARQUE: Les roulettes freinées doivent être tournées vers le devant du four.
2. Faites reposer avec précaution le four sur les roulettes. Serrez les freins des roulettes avant.
3. Poser le four du centre sur le dos. Insérer les broches d'alignement (4) dans les quatre trous qui se trouvent en bas du four.
4. Enlevez les quatre bouchons éjectables situés sur le dessus du four inférieur.
5. Sortir le four du centre de la palette en le soulevant avec précaution et le placer sur ses broches d'alignement. Situer les broches d'alignement avec les trous dans le bâti du four du bas.
6. Refaites les étapes 3 et 5 pour le four supérieur.

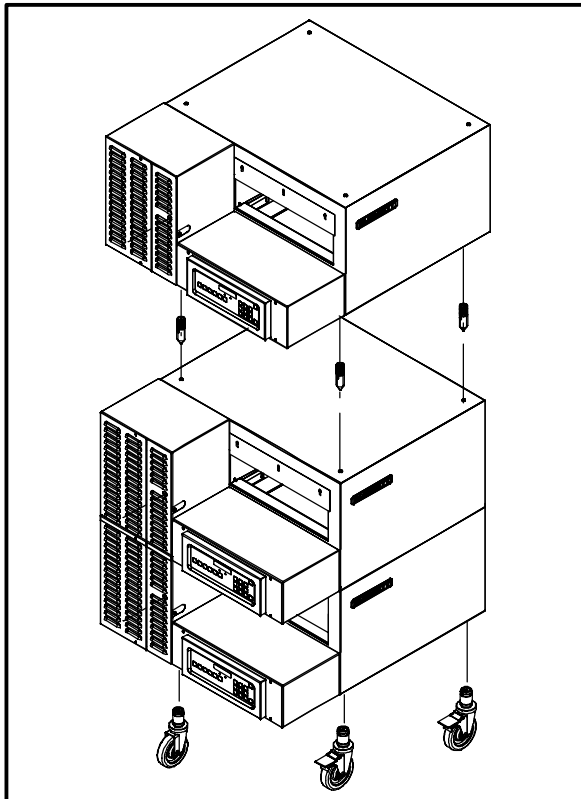


Figure 23



LE CONVOYEUR

1. Glisser le convoyeur (avec poulie d'engrenage à la fin) dans l'ouverture gauche. Le pignon doit se trouver à l'intérieur du panneau de commande après avoir été enfoncé dans le four. Reportez-vous à la Figure 24.
2. Installer la ceinture à l'autours du moteur et la poulie d'engrenage du convoyeur. Reportez-vous à la Figure 25. Pousser le convoyeur à la position initiale pour serrer la ceinture.

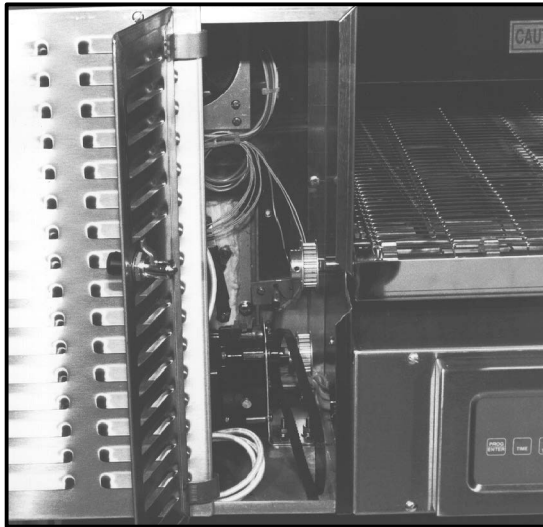


Figure 24

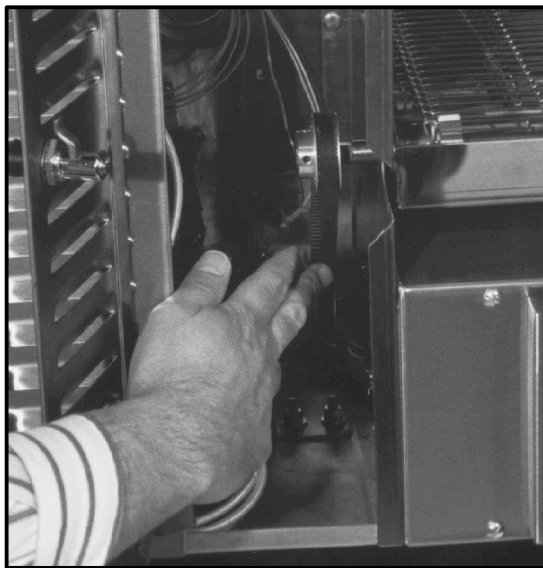


Figure 25



Installation

Montage du Four

3. Sauf indication contraire, le déplacement de la bande transporteuse est réglé à l'usine pour se faire de gauche à droite lorsqu'on regarde le devant du four. Si un changement de sens s'avère nécessaire, la polarité du moteur d'entraînement doit être inversée. Il suffit d'in-

tervertir les fils noir et blanc du moteur au niveau du régulateur de courant continu, qui se trouve dans le boîtier de commande. Reportez-vous à la Figure 26. La bande transporteuse doit d'autre part être installée depuis la gauche du four au lieu de la droite.

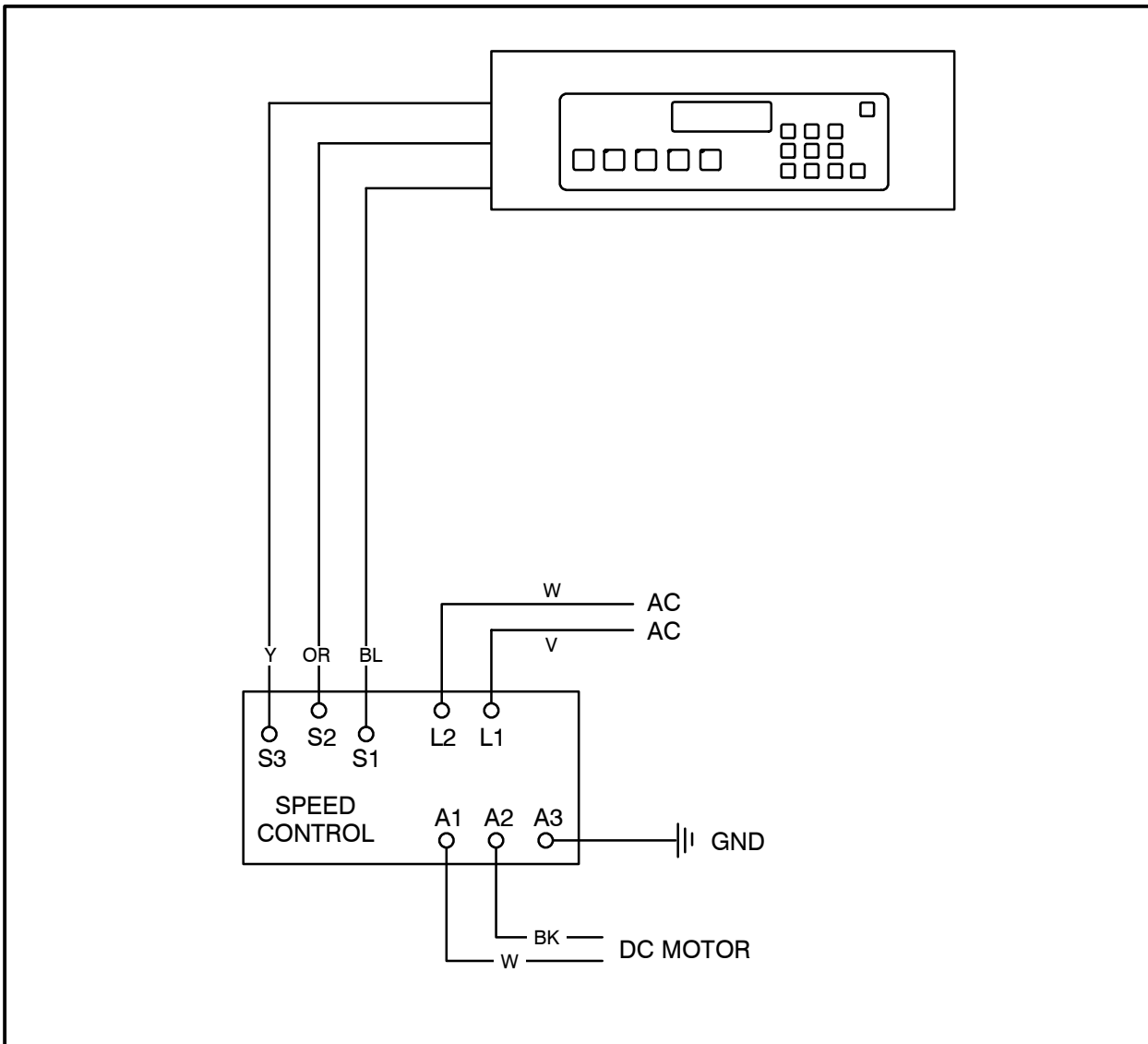


Figure 26



PLATEAUX POUR MIETTES

1. Installez des plateaux pour miettes sous chaque extrémité du convoyeur.
2. Glissez la barre d'arrêt des produits sur l'extrémité du côté libre du ramasse-miettes.



Figure 27

L'ORDINATEUR DE CUISSON DÉTACHÉ

1. Percer les trous de montage pour la base de support de l'ordinateur de cuisson.
2. Monter au mur, la base de support et l'étrier de support de câble.
3. Monter l'ordinateur de cuisson sur le support de base. Brancher le câble de raccordement à l'arrière du contrôleur.
4. Attacher les câbles au crochet de support de câble et à l'arrière du four en utilisant les attaches de câble et des vis.

REMARQUE: NE PAS surserre les serre-câble. Les fils peuvent être endommagés causant une défaillance de l'ordinateur.

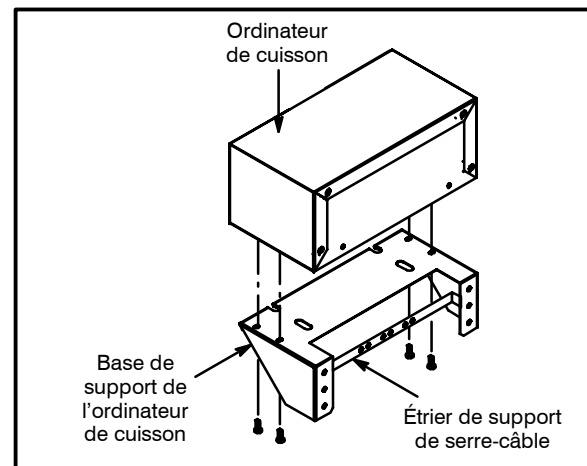


Figure 28



Installation

Branchements de Service – Normes et Codes

LES CONSEILS D'INSTALLATION ET D'ENTRETIEN CONTENUS DANS CE MANUEL NE S'ADRESSENT QU'À UN PERSONNEL QUALIFIÉ. UN PERSONNEL NON QUALIFIÉ PEUT SE BLESER ET/OU ABÎMER LE FOUR LORS DE SON INSTALLATION ET/OU SON ENTRETIEN.

Un personnel d'installation qualifié est représenté soit par des personnes physiques, soit par un société, une usine, une corporation qui en personne ou par l'intermédiaire d'un représentant s'engage à et est responsable de:

- l'installation ou du remplacement des conduites de gaz, de même que la connexion, l'installation, la réparation ou le service de l'équipement;
- l'installation du câblage électrique à partir du compteur électrique, de la boîte de commande principale ou de la sortie de commodité vers l'appareil électrique.

Le personnel qualifié pour l'installation doit avoir de l'expérience dans ce genre de travail, connaître toutes les précautions à prendre et se plier à toutes les normes et à tous les règlements en vigueur dans l'état et la localité.

Installations aux États-Unis et au Canada

Les branchements de gaz doivent être en accord avec les codes locaux, ou en l'absence de codes locaux, avec le *Code National du Gaz de Chauffage, ANSI Z223.1* le *Code d'Installation du Gaz Naturel CAN/CGA-B149.1* ou le *Code d'Installation du Propane CAN/CGA-B149.2* si applicable.

CAN/CGA-B149.2, selon le cas. Tous les fours installés doivent être pourvus d'une prise à la terre répondant aux normes locales ou, en l'absence de tels codes, répondant aux normes du *Code Électrique National (National Electrical Code), ANSI/NFPA 70-Dernière édition* et/ou *Code Électrique Canadien CSA C22.2* si applicable.

Installations des appareils exportés et l'Australie

L'installation doit suivre les normes locales et nationales. Les codes d'installation et/ou les exigences peuvent varier d'une localité à l'autre. Si vous avez des questions portant sur l'installation et/ou l'utilisation adéquate de votre four Blodgett, veuillez contacter votre distributeur local. Si aucun distributeur local n'est situé dans votre localité, veuillez appeler Blodgett Oven Company au 0011-802-860-3700.





Branchement de Gaz

CONDUIT DE GAZ

Un système d'alimentation en gaz de bon calibre est essentiel pour obtenir le meilleur rendement du four. Les conduits doivent être calibrés pour fournir suffisamment de gaz pour alimenter tous les appareils sur le conduit sans perte de pression à l'équipement.

Exemple:

REMARQUE: Les valeurs en BTU de l'exemple suivant sont pour le gaz naturel.

Achat d'un four à convection MT1828/AB qui doit être ajouté sur la conduite de cuisson existante.

1. Additionner les valeurs nominales en BTU des appareils utilisés.

Friteuse Pitco	120,000 BTU
Cuisinière 6 brûleurs	60,000 BTU
Four	<u>50,000 BTU</u>
Total	230,000 BTU

2. À ce total, ajouter la valeur nominale en BTU du nouveau four.

Total précédent	230,000 BTU
MT1828/AB	<u>40,000 BTU</u>
Nouveau total	270,000 BTU

3. Mesurer la distance entre le compteur à gaz et la conduite de cuisson. Ceci est la longueur de tuyau. Disons que la longueur de tuyau est de 12,2 mètres (40') et le calibre du tuyau est de 2,54 cm (1 po).

4. Se reporter au tableau approprié pour déterminer la capacité totale de la conduite de gaz actuelle.

Pour cette exemple, la capacité totale est de 320,000 BTU, la conduite de gaz actuelle n'a pas besoin d'être augmentée.

REMARQUE: Les capacités en BTU données sur les tableaux sont uniquement pour des longueurs droites de tuyaux. Tous les coudes et autres raccords diminuent la capacités de la conduite. Pour toute autre question, prendre contact avec la compagnie locale de distribution du gaz.

Capacité maximum du tuyau métallique en pieds cubiques de gaz naturel à l'heure.
(chute de pression de 13 mm (0,5 po) à la colonne d'eau)

Longueur de conduit pieds (ft)	Dimensions nominales				
	3/4"	1"	1-1/4"	1-1/2"	2"
10	360	680	1400	2100	3950
20	250	465	950	1460	2750
30	200	375	770	1180	2200
40	170	320	660	990	1900
50	151	285	580	900	1680
60	138	260	530	810	1520
70	125	240	490	750	1400
80	118	220	460	690	1300
90	110	205	430	650	1220
100	103	195	400	620	1150

Du Code national du gaz carburant Partie 10 Tableau 10-2

Capacité maximum du tuyau en milliers de BTU/hr de gaz L.P. non-dilué à 28 cm à la colonne d'eau.

(chute de pression de 13 mm (0,5 po) à la colonne d'eau)

Longueur de conduit pieds (ft)	Diamètre extérieur		
	3/4"	1"	1-1/2"
10	608	1146	3525
20	418	788	2423
30	336	632	1946
40	287	541	1665
50	255	480	1476
60	231	435	1337
70	215	404	1241
80	198	372	1144
90	187	351	1079
100	175	330	1014

Du Code national du gaz carburant Partie 10 Tableau 10-15



Installation

Branchement de Gaz

RÉGLAGE ET TEST DE PRESSION

Tous les fours sont réglés en usine en fonction du type de gaz spécifié sur la plaque signalétique. Cette plaque est fixée au côté gauche du panneau de commande.

Pour maintenir la bonne pression de gaz, chaque four est livré avec un régulateur. **Le régulateur est essentiel pour le fonctionnement correct du four et il ne doit pas être retiré.** Il est pré-réglé pour alimenter le four avec une pression de gaz au collecteur de 0,87 kPa (3.5 po WC [à la colonne d'eau]) lorsque la flamme est allumée. Le bouton de réglage est situé au-dessus de la soupape à gaz, entre le système de fermeture manuelle et les soupapes solénoïdes.

NE PAS INSTALLER DE RÉGULATEUR SUPPLÉMENTAIRE OÙ LE FOUR SE CONNECTE SUR L'ALIMENTATION DE GAZ SAUF SI LA PRESSION D'ENTRÉE EST AU-DESSUS DU MAXIMUM.

REMARQUE: La pression maximum à la colonne d'eau de l'alimentation en gaz est 10.5" W.C. (2.61 kPa). La pression minimum à la colonne d'eau de l'alimentation en gaz est 4.5" W.C. (1.1 kPa).

Les branchements de gaz doivent être en accord avec les codes locaux, ou en l'absence de codes locaux, avec le *Code National du Gaz de Chauffage, ANSI Z223.1 le Code d'Installation du Gaz Naturel CAN/CGA-B149.1* ou le *Code d'Installation du Propane CAN/CGA-B149.2* si applicable.

Le four et sa vanne d'arrêt individuelle doivent être déconnectés du système d'alimentation en cas de test des conduites à pression manométrique supérieure à 1/2 psi (13.85 po à la colonne d'eau ou 3.45 kPa).

En cas de test à pression manométrique de 1/2 psi (13.85 po à la colonne d'eau ou 3.45 kPa) ou moindre, le four doit être isolé du système par la fermeture de sa vanne d'arrêt manuelle individuelle.

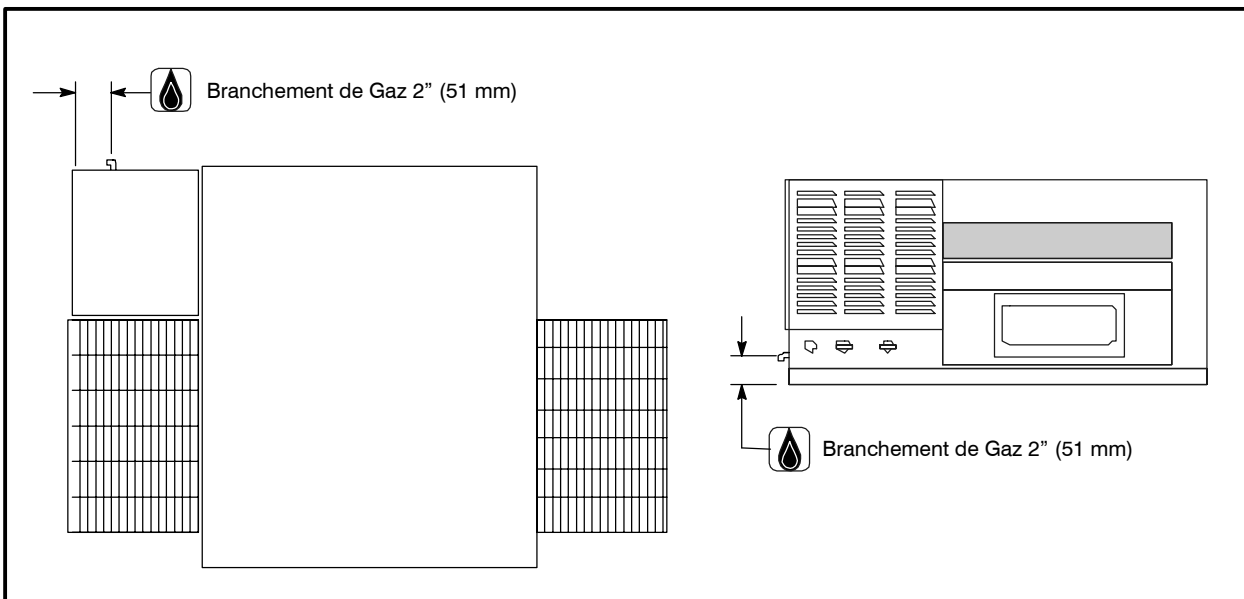


Figure 29



RETENUE DU TUYAU DE GAZ

Si le four est monté sur roulettes, un connecteur commercial flexible ayant un diamètre intérieur minimum de 1,9 cm (3/4") doit être utilisé avec un dispositif de connexion rapide.

La retenue, fournie avec le four, doit servir à limiter les mouvements de l'unité de façon qu'aucune tension ne soit placée sur le connecteur flexible. Le câble de retenue doit être fixé aussi près que possible du coupleur souple et être suffisamment court pour empêcher toute contrainte exercée sur le coupleur souple. Quand la retenue est entièrement étendue, le connecteur doit être facile à installer et à connecter rapidement.

Ce dispositif (qui consiste en un câble de gros calibre) doit être accroché au mur pour empêcher d'endommager celui-ci. NE vous servez PAS de la canalisation de gaz ni d'une canalisation d'électricité pour y accrocher l'extrémité fixée à demeure du dispositif de retenue ! Servez-vous de boulons d'ancrage dans le béton ou les parpaings. Sur les murs en bois, utilisez des tire-fond à bois à résistance élevée que vous enfoncez dans les montants du mur.



AVERTISSEMENT!!

Si la retenue est déconnectée, quelqu'en soit la raison, elle doit être reconnectée quand le four est remis à sa position d'origine.

Installations aux États-Unis et au Canada

Le coupleur doit être conforme à la *Norme Applicable aux Coupleurs pour Appareils à Gaz Mobiles, ANSI Z21.69* ou *Coupleurs pour Appareils à Gaz Mobiles CAN/CGA-6.16*. Il convient d'utiliser également un dispositif de débranchement rapide conforme à la *Norme Applicable aux Dispositifs de Débranchement Rapide pour Combustibles Gazeux, ANSI Z21.41* ou *Dispositifs de Débranchement Rapide pour Combustibles Gazeux CAN 1-6.9*. Une entrave fixée à une surface immobile doit être prévue pour limiter le mouvement du four et éviter les tensions au niveau du connecteur.

Un élément d'égouttage doit être utilisé pour chaque appareil. Reportez-vous au règlement *NFPA54/ANSI Z223.1 - Dernière édition* (Code National d'Alimentation en Gaz) pour l'installation correcte d'un élément d'égouttage.

Installations des appareils exportés et l'Australie

L'installation doit suivre les normes locales et nationales. Les codes d'installation et/ou les exigences peuvent varier d'une localité à l'autre. Si vous avez des questions portant sur l'installation et/ou l'utilisation adéquate de votre four Blodgett, veuillez contacter votre distributeur local. Si aucun distributeur local n'est situé dans votre localité, veuillez appeler Blodgett Oven Company au 0011-802-860-3700.

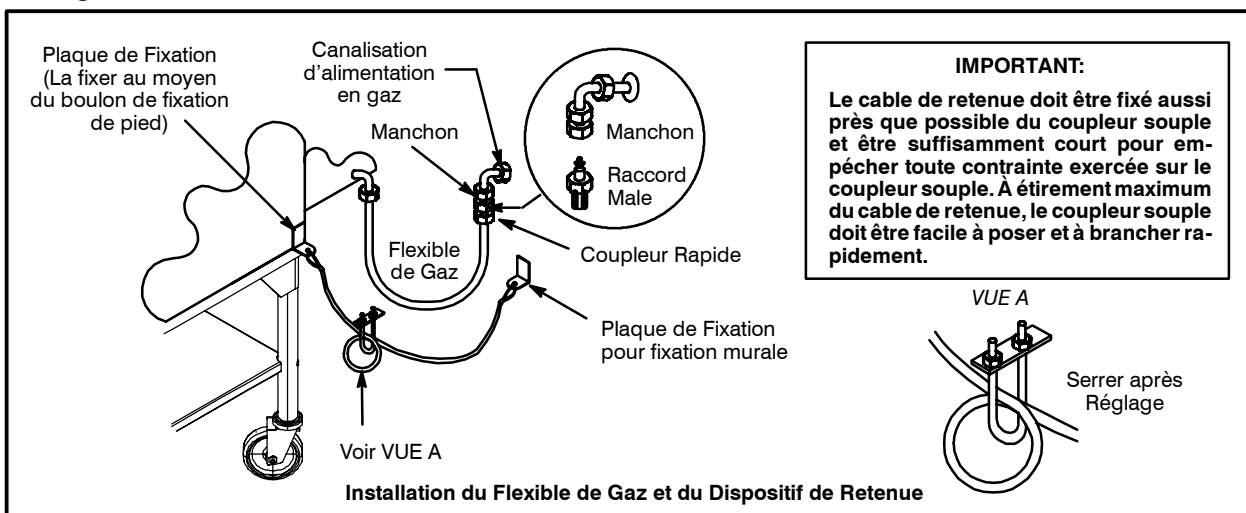


Figure 30



Installation

Raccordement Électrique

Avant d'effectuer tout branchement électrique sur ces appareils, vérifiez que l'alimentation électrique est conforme aux spécifications de tension, d'intensité et de phase indiquées sur la plaque signalétique.

Un schéma de câblage, à coller sur la page prévue à cet effet, accompagne le présent manuel et est apposé à l'intérieur du boîtier de commande.

MT1828G

Installations aux États-Unis et au Canada

Le four MT1828G requiert 15 A, 60HZ, 1Φ, 208-240Vc.a., service de 4 fils composé de L1, L2, neutre et d'une mise à la terre. Le câblage à partir de la source d'alimentation vers ces unités doit être un fil torsadé d'au moins 16 AWG CI ou plus.

Installations des appareils exportés et l'Australie

Le four MT1828G requiert 15 A, 50 ou 60HZ, 1Φ, 220/240Vc.a., service de 3 fils composé de L1, neutre et d'une mise à la terre. Utilisez un câble de facteur nominal de 90°C. Déterminez la taille du câble en vous rapportant aux codes électriques locaux et nationaux.

MT1828E

Installations aux États-Unis et au Canada

Les fours MT1828E sont disponibles en 1Φ ou 3Φ (en option). Les modèles monophasés requiert 60 Hz, 208/240Vc.a., service de 3 fils composé de L1, L2 et Terre. Les modèles triphasés requiert 60 Hz, 208/240Vc.a., service de 4 fils composé de L1, L2, L3 et Terre. Le câblage à partir de la source d'alimentation vers ces unités doit être un fil torsadé d'au moins #8 AWG CI ou plus pour modèles triphasés et #4 AWG CI ou plus pour modèles monophasés.

Installations des appareils exportés et l'Australie

Les fours MT1828E sont disponibles en 1Φ ou 3Φ (en option). Les modèles monophasés requiert 50 Hz, 220/240Vc.a., service de 3 fils composé de L1, L2 et Terre. Les modèles triphasés est offert en deux configurations électriques, WYE ou DELTA. Les modèles DELTA requiert 50 Hz, 208/240Vc.a., service de 4 fils composé de L1, L2, L3 et Terre. Les modèles WYE requiert 50 Hz, 415/240Vc.a., service de 5 fils composé de L1, L2, L3, neutre et Terre. Le câblage à partir de la source d'alimentation vers ces unités doit être un fil torsadé d'au moins 8.37 mm² ou plus pour modèles triphasés et 21.15mm² ou plus pour modèles monophasés.

ATTENTION:

AUCUN appareil monophasé ne doit être raccordé à la phase haute d'un circuit triphasé. La phase haute se réfère à un potentiel de 230 volts entre un élément et le neutre. Les deux éléments restants auront un potentiel de 115 volts entre chaque phase et le neutre. LE NON RESPECT DE CETTE PRESCRIPTION AURA POUR RÉSULTATS DES DOMMAGES IMPORTANTS SUBIS PAR LES COMPOSANTS ÉLECTRIQUES ET UN POSSIBLE INCENDIE DANS LE BOITIER DE COMMANDE.

LA SOCIÉTÉ BLODGETT NE SAURAIT ÊTRE TENUE POUR RESPONSABLE DES PERTES OU DOMMAGES SUBI PAR SUITE DE L'INSTALLATION INCORRECTE DE FOURS.



AVERTISSEMENT!!

Un câblage incorrect résultera en dommages extensifs des composants électriques et en une possibilité de feu dans le panneau de commande.

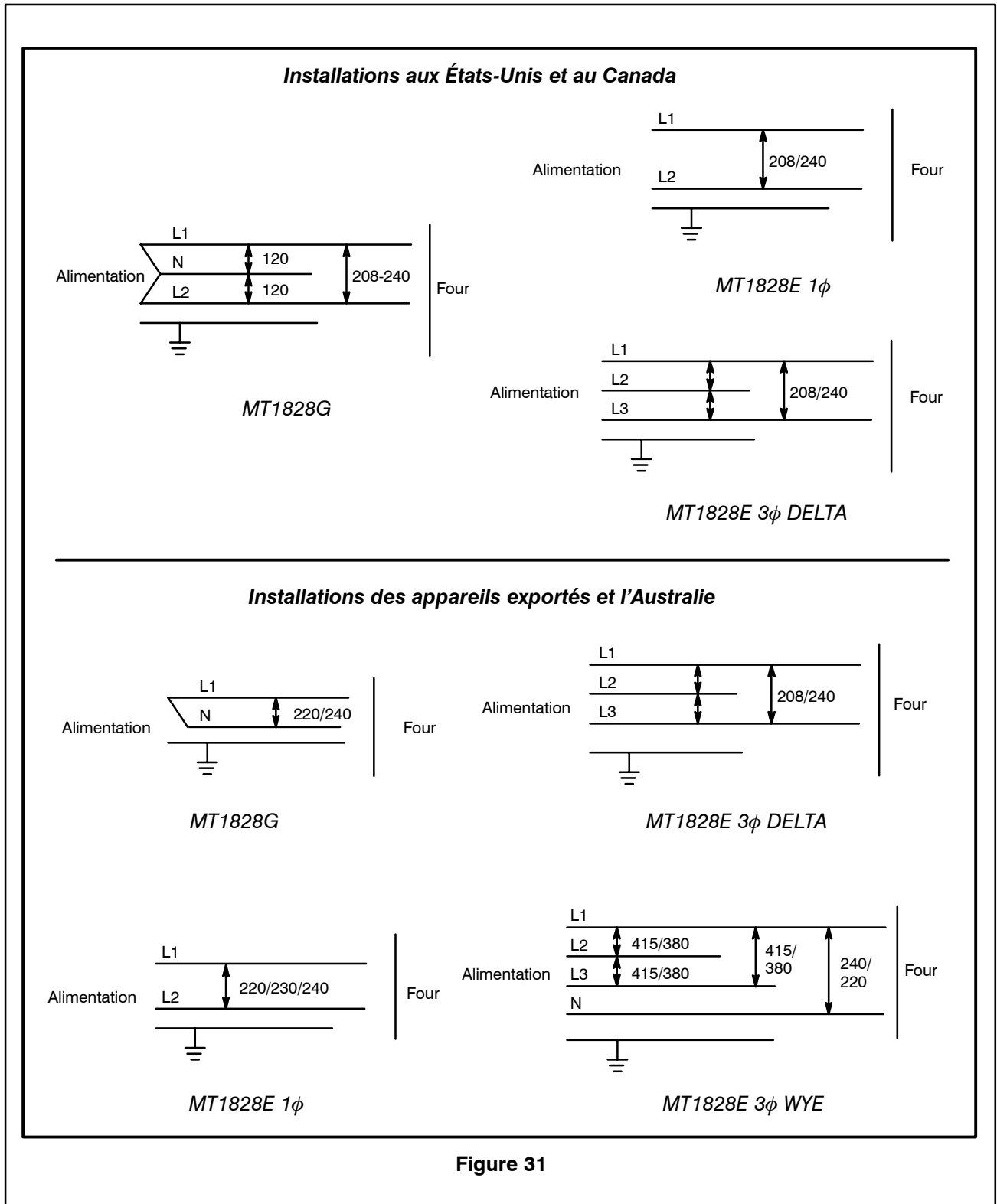


Figure 31



Utilisation

Informations de Sécurité

LES INFORMATIONS CONTENUES DANS CETTE SECTION SONT DESTINÉES AU PERSONNEL QUALIFIÉ APPELÉ A UTILISER LE FOUR. ON ENTEND PAR PERSONNEL QUALIFIÉ LE PERSONNEL QUI AURA LU ATTENTIVEMENT LES INFORMATIONS CONTENUES DANS CE MANUEL, CONNAIT BIEN LES FONCTIONS DU FOUR ET/OU POSSEDE UNE EXPÉRIENCE ANTÉRIEURE DE L'EMPLOI DE L'ÉQUIPEMENT DÉCRIT. LE RESPECT DES PROCÉDURES RECOMMANDÉES DANS CETTE SECTION PERMETTRA D'ATTEINDRE LES PERFORMANCES OPTIMALES DU SYSTÈME ET D'EN OBTENIR UN SERVICE DURABLE ET SANS ENCOMBRES.

Prenez le temps de lire attentivement les instructions qui suivent. Vous y trouverez la clé du succès du four à transportbande Blodgett.



CONSEILS DE SÉCURITÉ

Pour la sécurité, lire avant d'utiliser l'appareil

Que faire s'il y a une odeur de gaz :

- NE PAS essayer d'allumer l'appareil.
- NE PAS toucher d'interrupteur électrique.
- Utiliser un téléphone extérieur pour appeler immédiatement la compagnie du gaz.
- Si la compagnie du gaz ne répond pas, appeler les pompiers.

Que faire en cas de panne de secteur :

- Fermer tous les interrupteurs.
- NE PAS tenter d'utiliser le four avant que l'électricité soit revenue.

REMARQUE: Dans le cas d'un arrêt de l'appareil, quel qu'il soit, attendre cinq (5) minutes avant de remettre le four en marche.

D'arrêt d'urgence automatique

- Le four est équipé d'un système d'arrêt d'urgence automatique. Si vous avez besoin d'arrêter le tapis, les ventilateurs ou l'élément chauffant. Appuyer sur l'interrupteur d'arrêt d'urgence. Ne pas utiliser l'interrupteur d'arrêt d'urgence comme interrupteur de marche/arrêt!

Conseils généraux de sécurité :

- NE PAS utiliser d'outil pour fermer les commandes du gaz. Si le gaz ne peut pas être fermé manuellement ne pas tenter de réparer. Appeler un technicien de service qualifié.
- Si le four doit être déplacé, quel qu'en soit la raison, le gaz doit être fermé et déconnecté de l'unité avant de retirer le câble de retenue. Reconnecter la retenue quand le four a été remis à son emplacement d'origine.
- NE PAS retirer le couvercle du panneau de contrôle sauf si le four est débranché.



IDENTIFICATION DES COMMANDES

1. AFFICHAGE - Indique la durée et la température, ainsi que d'autres informations relatives au fonctionnement du four.
2. MARCHE/ARRÊT – Allume ou éteint le four.
3. CLAVIER NUMÉRIQUE – Utiliser le clavier numérique pour programmer l'heure et la température de cuisson désirée.
4. TOUCHE CLEAR – Utiliser le touche CLEAR en cas d'erreur.
5. TOUCHE SET TEMP – Pour programmer ou consulter la température de cuisson.
6. TOUCHE ACT TEMP – Pour consulter la température actuelle du four.
7. TOUCHE TEMP – Pour programmer ou consulter l'heure de cuisson.
8. TOUCHE PROG/ENTER – Pour entrer et sortir la mode de programmation. Aussi pour vérifier dans des entourages programmés.
9. LES TÉMOINS LUMINEUX – S'allume lorsque les brûleurs sont allumés ou le ventilateur est activé.

LA PROCÉDÉ PROGRAMMER

Pour programmer l'heure de cuisson:

1. Appuyer sur la touche PROG ENTER (8).
2. Appuyer sur la touche TIME (7). L'afficheur indiquera *SET • TIME-?* (programmer heure).
3. Utiliser le CLAVIER NUMÉRIQUE (3) pour programmer l'heure de cuisson désirée. En cas d'erreur, appuyer sur la touche CLEAR (4) et re-programmer l'heure.
4. Appuyer sur la touche PROG ENTER (8). La nouvelle heure de cuisson sera mémorisée dans l'ordinateur.

Pour programmer la température:

1. Appuyer sur la touche PROG ENTER (8).
2. Appuyer sur SET TEMP (5). L'afficheur indiquera *SET • TEMP-?* (programmer température).
3. Utiliser le CLAVIER NUMÉRIQUE (3) pour programmer la température désirée. En cas d'erreur, appuyer sur la touche CLEAR (4) et re-programmer la température.
4. Appuyer sur la touche PROG ENTER (8). La nouvelle température sera mémorisée dans l'ordinateur.

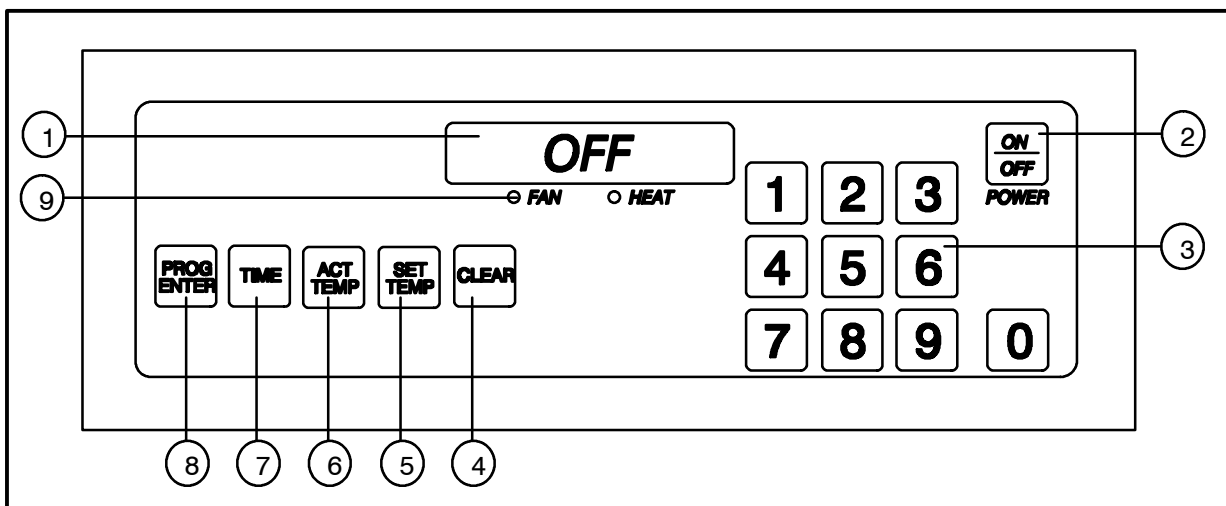


Figure 32



Utilisation

L'Ordinateur de Cuisson

UTILISATION

Pour allumer le four

1. Tourner la vanne de gaz sur MARCHE. (Modèles à gaz seulement)
2. Appuyer et maintenir momentanément la touche MARCHE/ARRÊT (2). L'affichage indique OFF lorsque le four est inactif.
3. Les témoins lumineux VENTILATEUR et CHAUFFAGE (9) s'allumeront. Le ventilateur commencera à tourner et la température augmentera jusqu'à la valeur programmée dans l'ordinateur. Le tapis du convoyeur commencera à se déplacer à la vitesse mise en mémoire.
4. L'afficheur clignotera le message *WAIT • LOW • SET • TIME • mmss* jusqu'à ce que la température du four programmée soit atteinte.
5. L'afficheur indiquera *READY (PRET)* et la LED de CHAUFFAGE (9) s'éteindra. A partir de ce moment les produits peuvent être introduits dans le four.

Pour consulter l'heure de cuisson:

1. Appuyer sur la touche TIME (7). La diode LED sur la touche s'allumera et l'afficheur clignotera *SET • TIME • mmss*.

Pour consulter la température actuelle du four:

1. Appuyer sur la touche ACT TEMP (6). La diode LED sur la touche s'allumera et l'afficheur indiquera *ACTUAL • nnn°F*.

Pour consulter la température programmée:

1. Appuyer sur la touche SET TEMP (5). La diode LED sur la touche s'allumera et l'afficheur indiquera *SET • TEMP • nnn°F*.

Pour éteindre le four:

1. Appuyer sur la touche ON/OFF (2). Le four est équipé d'un système de refroidissement des arbres de moteurs et de protection des roulements. Les moteur(s) de soufflante(s) de continuer à tourner, quelle que soit la position du commutateur de soufflante. Le ventilateur continuera à tourner jusqu'à ce que le four refroidisse.

AUTRES MESSAGES DE L'AFFICHEUR

WAIT • LOW – la température du four est inférieure à celle programmée. Quand le four atteindra la température programmée l'afficheur indiquera *READY (PRET)*.

READY – le four est prêt à être utilisé.

SET • TIME • mmss – indique l'heure de cuisson.

HIGH • TEMP – la température est bien au dessus de la température programmée. Attendre que l'afficheur annonce *READY (PRET)* avant de faire entrer vos produits.

HIGH • TEMP • LIMIT – la température dépasse la valeur limite maximale. La sonnette d'alarme de température retentira. Eteindre le four et attendre qu'il refroidisse.

HIGH • TEMP • PANEL – la température autour du contrôleur devient excessive. Eteindre le four et attendre qu'il refroidisse.

PROBE • OPEN • PROBE • SHORT – la sonde de température tombe en panne, la sonnette d'alarme retentira. Eteindre le four et contacter votre réparateur agréé.

Réglages du Four Pour la Cuisson

Le temps de la courroie, la température du four et la circulation d'air jouent un rôle important pour la qualité du produit final obtenu par les fours à convoyeur Blodgett. Utilisez les lignes directrices qui suivent pour ajuster le temps de passage de la courroie et la température du four de votre unité. Si vous avez des questions concernant les autres ajustements du four, veuillez contacter votre représentant local des fours Blodgett.

VITESSE DU CONVOYEUR ET TEMPÉRATURE DU FOUR

La vitesse du convoyeur (temps de cuisson) et la température du four sont les deux variables utilisées pour bien régler votre four selon les exigences d'un aliment particulier. Pour déterminer la température et le temps de cuisson optimal, effectuez de petites modifications tout en maintenant une variable constante. Par exemple, si la température du four est de 238°C (460°F) et que la vitesse de la courroie est réglée à 7 minutes, mais que la croûte de pizza n'est pas assez brune, augmentez la température à 246°C (475°F) et conservez la même vitesse de la courroie. Par contre, si le centre de la pizza n'est pas complètement cuit, conservez la même température et augmentez le temps de cuisson à 7 minutes 30 secondes. En général, il convient d'augmenter la température pour augmenter le brunissement des aliments et d'augmenter le temps de passage de la courroie pour augmenter la cuisson.

TEMPÉRATURE DES ALIMENTS CUITS

Pour assurer une température sécuritaire des aliments, leur température interne doit être mesurée immédiatement après que ces aliments sortent de la chambre de cuisson. La température interne d'une pizza doit dépasser 74°C (165°F). Les directives concernant les températures minimales varient d'un aliment à l'autre.

AJUSTEMENT DE LA CIRCULATION D'AIR

Glissez les plaques d'ajustement du dégagement des aliments au réglage le plus bas pour les articles de votre menu. Des plaques de dégagement plus basses réduisent la perte d'air chaud par les ouvertures de la chambre de cuisson.

En général, les réglages souhaités peuvent être programmés sans pour cela modifier la programmation de la plaque thermique. La configuration du four ne

doit pas être modifiée à moins que les réglages de la température et de la durée de cuisson n'aient pas donné les résultats escomptés.

Vous devrez peut-être ajuster la circulation de l'air pour mieux adapter le four à un aliment particulier. La plaque de circulation d'air, située au-dessus de la chambre de cuisson, comporte des trous qui peuvent être couverts par des plaques de blocage. Vous pouvez facilement régler ces plaques selon vos besoins particuliers. Voici les directives générales pour ajuster les plaques de blocage. Voir la figure Figure 33.

1. Assurez-vous que le four est éteint (OFF) et complètement refroidi.
2. Enlevez la plaque d'ajustement de l'écartement du produit de la section inactive du four.
3. Sortez du four la plaque de circulation d'air.
4. Retirez les écrous à oreilles, les vis et les rondelles qui retiennent les plaques de blocage.
5. Ajustez les plaques.
6. Remplacez les écrous à oreilles, les vis et les rondelles pour bien serrer les plaques de blocage dans leur nouvelle position. Faites un schéma du montage final pour une référence future.
7. Remplacez la plaque de circulation d'air et la plaque d'ajustement de l'écartement du produit.

Les exemples qui suivent illustrent la régulation de la circulation d'air.

REMARQUE: La première moitié de la chambre du four a une grande influence sur la cuisson des aliments, tandis que la seconde moitié influence plutôt le brunissement.

- Vous avez établi un bon temps et une bonne température de cuisson, mais vous désirez un meilleur brunissement. Glissez une des plaques de blocage pour découvrir une rangée de trous du côté de la sortie du four.
- Le fond de la pizza est brun doré mais le dessus est trop foncé. Recouvrez des rangées de trous vers la sortie du four pour réduire le brunissement.
- Le centre de la pizza est encore mou et les garnitures ne sont pas complètement cuites. Découvrez des rangées de trous à l'entrée de la chambre et fermez celle situées du côté de la sortie.



Utilisation

Réglages du Four Pour la Cuisson

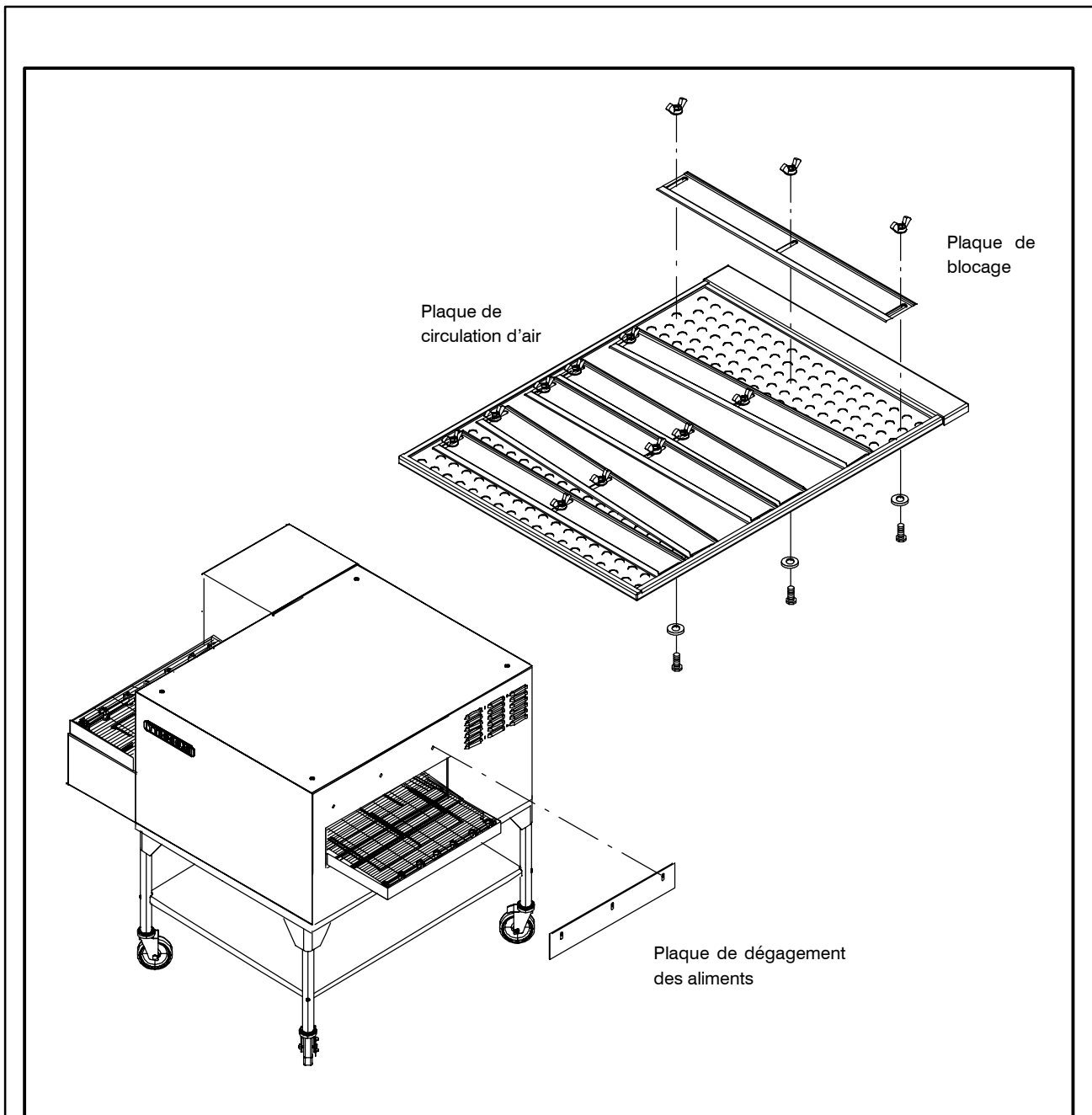


Figure 33



MISE EN GARDE!!

Débranchez toujours la source d'alimentation électrique avant de nettoyer ou d'entretenir le four.



MISE EN GARDE!!

Si le four doit être déplacé, l'arrivée de gaz doit être coupée et débranchée avant d'enlever la bride. Rebranchez la bride lorsque le four a été replacé dans sa position initiale.

Veillez suivre ce calendrier d'entretien pour vous assurer de la bonne performance du four.

Quotidiennement:

1. Nettoyez la courroie du convoyeur avec une brosse métallique. Laissez tomber les corps étrangers dans les ramasse-miettes.
2. Videz et nettoyez le ramasse-miettes avec une solution d'eau chaude et de détergent. Rincez à l'eau propre.
3. Assurez-vous que les ventilateurs de refroidissement fonctionnent.

Tou les trois mois:

1. Brossez et nettoyez les protecteurs des ventilateurs de refroidissement.

Tous les six mois:

1. Débranchez le four. Débranchez les conduites de gaz (si applicable).
2. Retirez les ramasse-miettes
3. Enlevez le montage à convoyeur en procédant comme suit :
 - a.) Tirez le montage à convoyeur en dehors des tiges de positionnement pour dégager la courroie d'entraînement.
 - b.) Enlevez la courroie d'entraînement du moteur d'entraînement et d'autour de la poulie du montage à convoyeur.
 - c.) Retirez le montage à convoyeur en le tirant par l'ouverture du tunnel situé du côté gauche.
4. Glissez les buses en dehors de la chambre de cuisson.

5. Enlevez la plaque d'ajustement de l'écartement du produit. Retirez la plaque de circulation d'air en la tirant à l'extérieur de la chambre de cuisson.
6. Nettoyez l'intérieur du four avec un nettoyant tout usage ou un nettoyant qui n'abîme pas l'aluminium.
7. Nettoyez le montage à convoyeur, la plaque de circulation d'air du ramasse-miettes et les buses. Lavez-les dans une solution d'eau chaude et de détergent et rincez-les à l'eau propre. Pour les endroits difficiles à atteindre, utilisez un "dégraissant industriel" ou un produit à nettoyer les fours qui n'abîme pas l'aluminium.
8. Déplacez le four (si ce n'est déjà fait) pour nettoyer en dessous. Veillez à ne pas endommager les conduites de gaz ou les cordons d'alimentation électrique pendant le déplacement du four.
9. Assemblez à nouveau le four. Installez les buses comme suit :

REMARQUE: Installez les buses dans l'ordre indiqué à la Figure 34.

- a.) Commencent par le centre du four et en progressant vers ses extrémités.
- b.) Soyez sûr que l'ouverture arrière de chaque injecteur fait par dessus l'ouverture rectangulaire du chasis.
- c.) Le devant de l'injecteur repose sur le support avant du four.
- d.) Pour être sûr que l'injecteur est bien en place, essayer de le déplacer latéralement: il ne devrait pas se déplacer sur une grande distance.

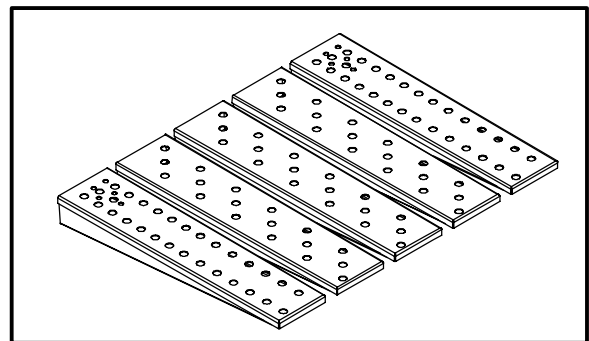


Figure 34



Entretien

Nettoyage

Tou les 12 mois:

Une personne autorisée par le fabricant devrait :

1. Ouvrir et nettoyer l'intérieur du panneau de contrôle.
2. Vérifier et resserrer les branchements électriques.
3. Contrôler l'usure des balais du moteur C.C. à engrenage
4. Vérifier la propreté et le bon graissage de la ceinture d'entraînement de bande transporteuse.
5. MT1828G – Lubrifier l'air de combustion ventilateur moteur avec six gouttes d'Anderol #465 pétrole.

Si un entretien est requis, contactez votre bureau de service local, un représentant du fabricant ou Blodgett Oven.



MISE EN GARDE!!

Débranchez toujours la source d'alimentation électrique avant de nettoyer ou d'entretenir le four.



MISE EN GARDE!!

Si le four doit être déplacé, l'arrivée de gaz doit être coupée et débranchée avant d'enlever la bride. Rebranchez la bride lorsque le four a été replacé dans sa position initiale.

Emplacement des Composants du Boîtier de Commande

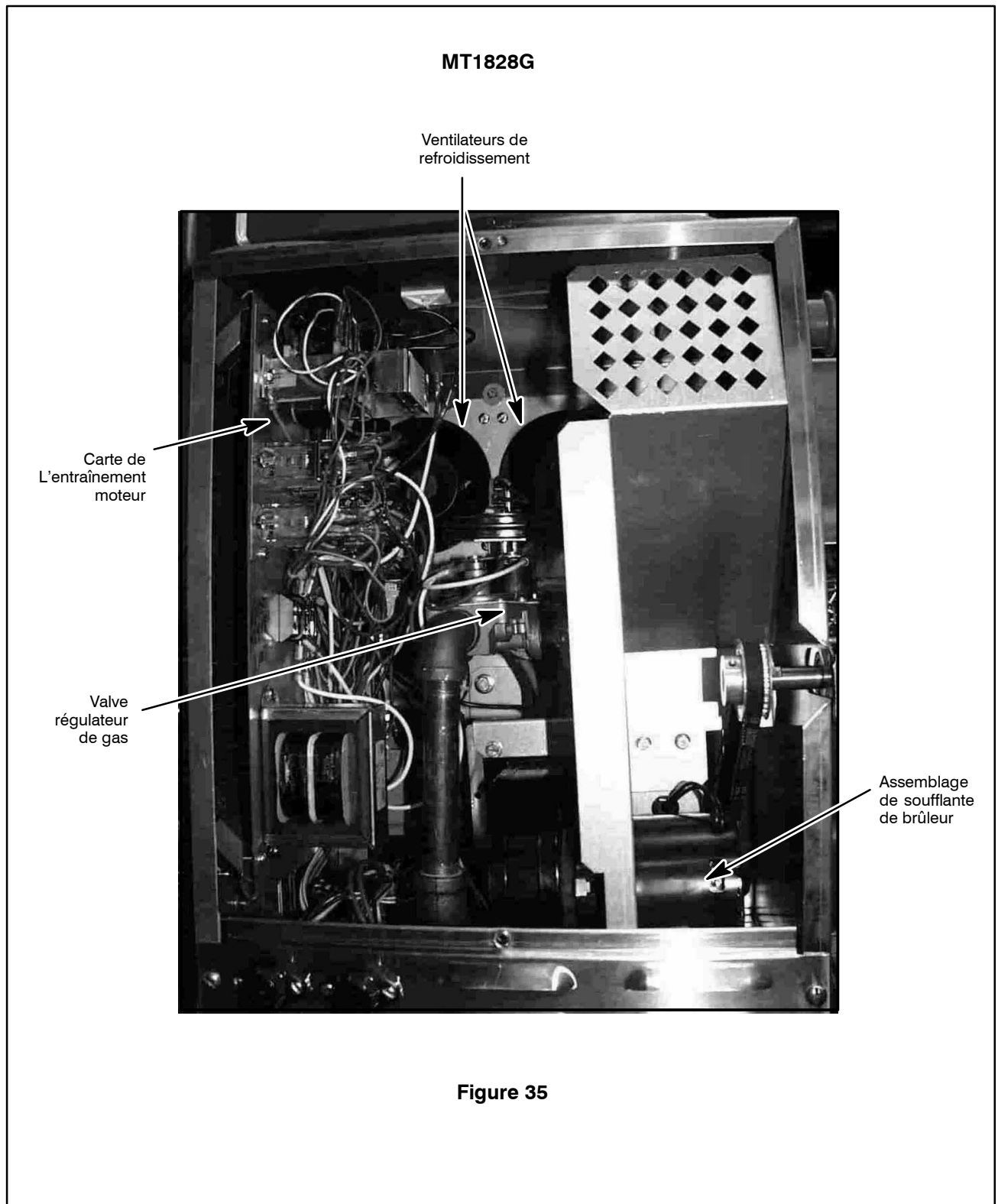
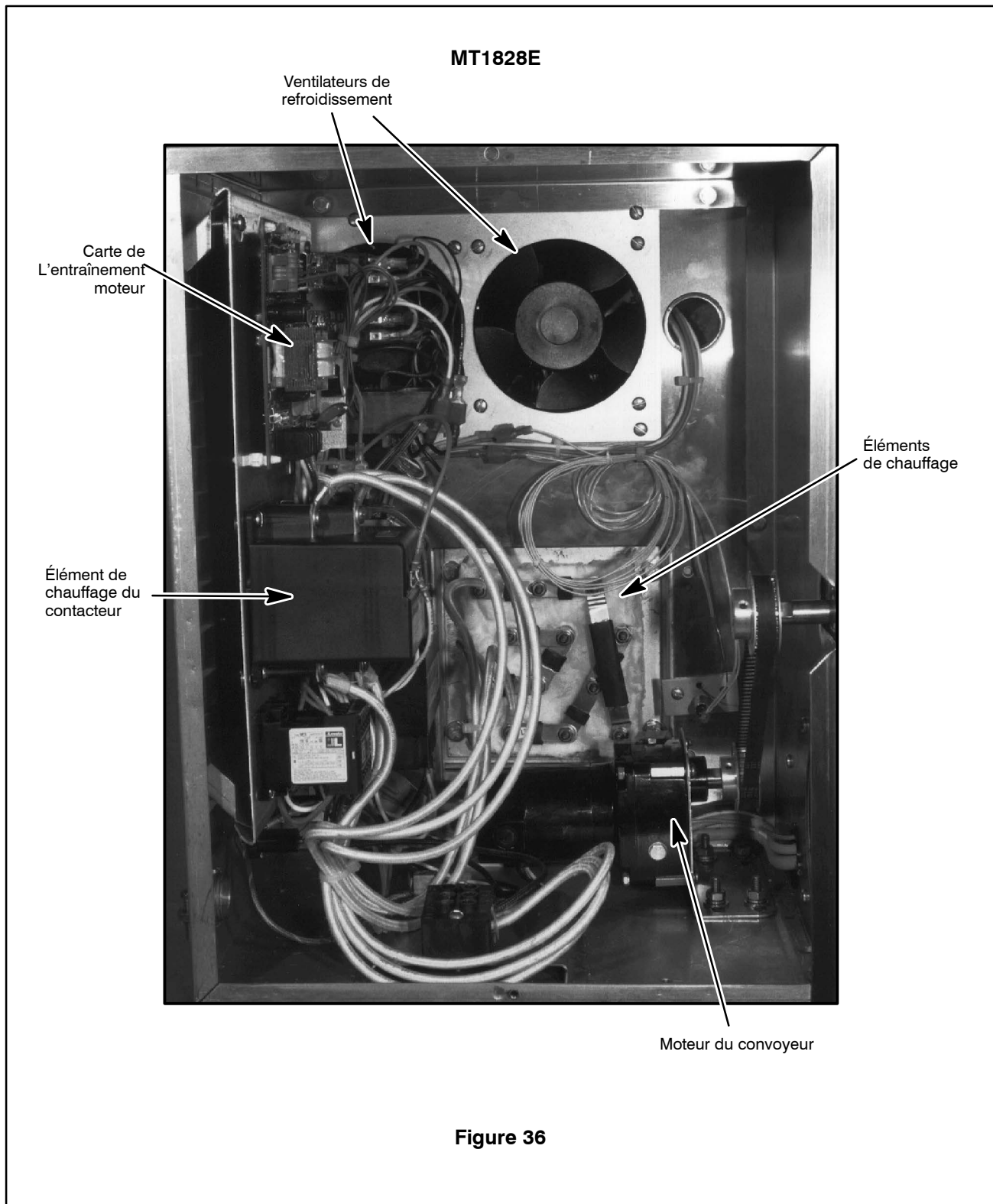


Figure 35



Entretien

Emplacement des Composants du Boîtier de Commande



CAUSE(S) PROBABLE(S)	SUGGESTION
SYMPTOME: Le ou les moteurs de ventilation ne fonctionnent pas	
<ul style="list-style-type: none"> • L'ordinateur de contrôle est en position OFF (Arrêt) • Le four n'est pas alimenté • Le disjoncteur du moteur est ouvert • Le disjoncteur du contrôle est ouvert • Le ou les moteurs sont grillés • Les câbles d'ordinateur sont lâches 	<ul style="list-style-type: none"> • Le mettre sur ON (Marche) • Remplacer les fusibles principaux ou remettre à zéro les coupe-circuits • Remettre le disjoncteur • Remettre le disjoncteur • * • *
SYMPTOME: L'ordinateur de contrôle affiche: HIGH TEMP LIMIT, PROBE OPEN, or PROBE SHORT	
<ul style="list-style-type: none"> • L'ordinateur de contrôle n'est pas correctement installé • Problème interne posé par l'ordinateur de contrôle • Les raccords du sonde sont lâches au niveau de l'ordinateur de contrôle • Sonde court-circuité 	<ul style="list-style-type: none"> • Le réinstaller • * • * • *
SYMPTOME: Le brûleur refuse de s'allumer (MT1828G) ou éléments ne chauffent pas (MT1828E)	
<ul style="list-style-type: none"> • L'ordinateur de contrôle est sur OFF (Arrêt) • Le ou les moteurs de ventilation ne marchent pas • Le contrôleur de température principal n'est pas réglé à une température supérieure à la température ambiante • Le ventilateur de refroidissement ne fonctionne pas bien • L'ordinateur de contrôle est défectueux • Le robinet à gaz à réglage manuel est fermé (MT1828G) 	<ul style="list-style-type: none"> • Le mettre sur ON (Marche) • Le ou les moteurs de ventilations doivent toujours fonctionner. Vérifier le disjoncteur et/ou les fusibles de contrôle • Le régler à la température désirée • * • * • Ouvrir le robinet
<p>* Indique un type d'intervention délicate qui devrait être confiée uniquement à un personnel qualifié. Plutôt que d'intervenir personnellement, en tant qu'utilisateur ou acheteur de l'appareil, il est conseillé de confier TOUT réglage et/ou TOUTE réparation à un agent commercial ou représentant local Blodgett. Blodgett ne saura être tenu responsable d'un dommage résultant d'une réparation ou d'un service d'entretien effectué par un personnel non qualifié.</p>	



MISE EN GARDE!!

Débranchez toujours la source d'alimentation électrique avant de nettoyer ou d'entretenir le four.



Entretien

Guide de Dépannage

CAUSE(S) PROBABLE(S)	SUGGESTION
SYMPTOME: Le four n'atteint pas la température désirée	
<ul style="list-style-type: none">• Le disjoncteur du l'ordinateur est sur OFF (Arrêt)• Le four n'est pas alimenté• Le ou les moteurs de ventilation ne fonctionnent pas• Sonde court-circuité• Interrupteur thermostatique de sûreté dérégulé ou défectueux• Problème interne posé par le contrôleur de température principal• Le ventilateur de refroidissement ne fonctionne pas bien• Relais des éléments chauffants défectueux (MT1828E)• Le four reçoit une pression de gaz insuffisante (MT1828G)	<ul style="list-style-type: none">• Le mettre sur ON (Marche)• Remplacer les fusibles principaux• Vérifier les fusibles et/ou l'interrupteur de contrôle• *• *• *• *• *• S'adresser à la compagnie de distribution de gaz locale
SYMPTOME: Le tapis du convoyeur ne veut pas se mettre en marche	
<ul style="list-style-type: none">• Le disjoncteur du l'ordinateur est sur OFF (Arrêt)• Le fusible du circuit de contrôle est grillé• Le tapis est accroché à quelque chose dans le four• Le moteur d'entraînement du convoyeur est défectueux• Le contrôleur du moteur d'entraînement du convoyeur est défectueux• Les câbles d'ordinateur sont lâches	<ul style="list-style-type: none">• Le mettre sur ON (Marche)• Remplacer le fusible• Arrêter le four OFF (Arrêt), décrocher et libérer le tapis• *• *• *
SYMPTOME: Le brûleur marche de manière sporadique (MT1828G)	
<ul style="list-style-type: none">• Le robinet à gaz à réglage manuel est fermé	<ul style="list-style-type: none">• Ouvrir le robinet
<p>*Indique un type d'intervention délicate qui devrait être confiée uniquement à un personnel qualifié. Plutôt que d'intervenir personnellement, en tant qu'utilisateur ou acheteur de l'appareil, il est conseillé de confier TOUT réglage et/ou TOUTE réparation à un agent commercial ou représentant local Blodgett. Blodgett ne saura être tenu responsable d'un dommage résultant d'une réparation ou d'un service d'entretien effectué par un personnel non qualifié.</p>	



MISE EN GARDE!!

Débranchez toujours la source d'alimentation électrique avant de nettoyer ou d'entretenir le four.

**INSERT
WIRING DIAGRAM
HERE**

**PLACER
SCHÉMA DE CÂBLAGE
ICI**