



**MT1828E & MT1828G  
CONVEYOR OVEN  
REPLACEMENT PARTS LIST**



**EFFECTIVE JUNE 13, 2001**

**BLODGETT OVEN COMPANY**, 50 Lakeside Avenue, Burlington, Vermont 05401 USA

Telephone: (802) 860-3700 (800) 331-5842 Fax: (802) 860-3732

*www.blodgett.com*

Superseding All Previous Parts Lists.

The Company reserves the right to make substitution in the event that items specified are not available.

ERRORS: Descriptive and/or typographic errors are subject to correction.

**www.blodgett.com**

**IMPORTANT:** When ordering parts, please provide the model, gas type and serial number of the oven. The identification plate is located on the left side of the combustion compartment and, also, above the control panel under the ledge.

# MT1828E & MT1828G

June 13, 2001

ASAP Distributor Required Stocking Parts

2

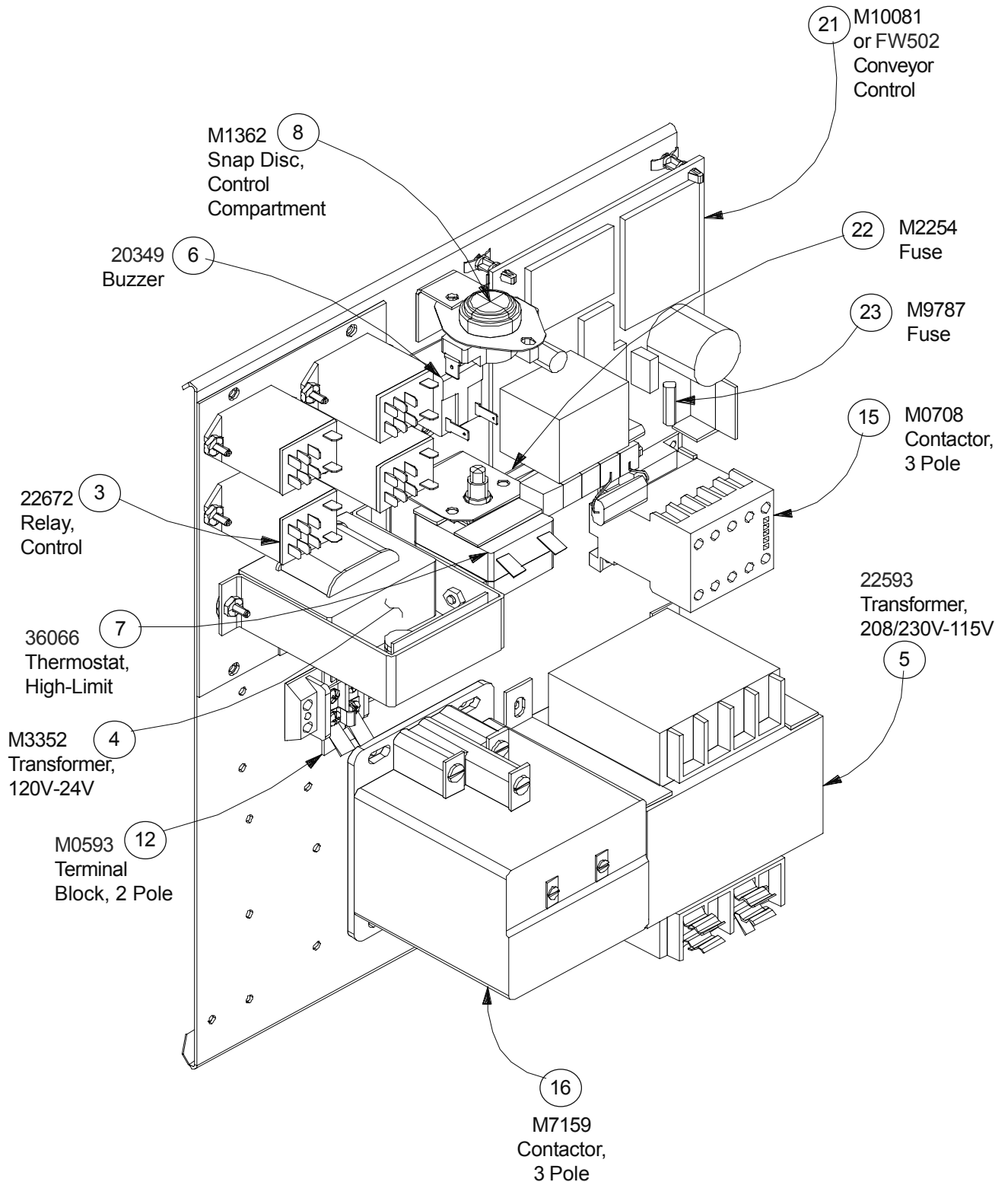
## ELECTRICAL COMPONENTS

Ref. No.	Part No.	Description
1	<input checked="" type="checkbox"/> M6474	Computer Control Kit,Closed Loop SB(Qty 1)
1	<input checked="" type="checkbox"/> FW525	Computer Control Kit,Closed Loop SB(Qty 1) (Reconditioned)
	M9692	DAC Board (for M6474)
	M10049	Decal & Control Membrane (for M6474/FW525) SB
	M3175	Lexan Decal only, SB
60	M10197	Remote Mounting Support Kit, for Computer (sgl, dbl & tpl ovens) Replaces M3314
2	<input checked="" type="checkbox"/> M7427	Probe, Temperature RTD, 500 OHMS 6" (Qty 1) (Before 7/15/99 or S.N. 071599GE066T)
	<i>Note: Use this probe if oven has not been burner retrofitted.</i>	
	M9607	Probe, Temperature RTD, 500 OHMS 14" (Qty 1) (After 7/15/99 or S.N. 071599GE066T)
	<i>Note: Use this probe if oven has been burner retrofitted.</i>	
	M7202	Conversion Kit, Open to Closed Loop(Qty 1)
	M10035	Silicone Compound (for cables)
	M3347	Cable, Computer Control, 25 Pin, 10' (Qty 1)
	M3348	Cable, Computer Control, 9 Pin, 10' (Qty 1)
	M3490	Cable, Computer Control, 25 Pin, 50' (Qty 1)
	M3491	Cable, Computer Control, 9 Pin, 50' (Qty 1)
	M5661	Bracket Assy, Cable Clamp
	M9262	Jack Screw (for harness mounts)
	M3349	Harness, w/socket, Inter-Connecting DC Drive, 3-Wire (For 9 Pin) (Qty 1)
	M7237	Harness, w/socket, Relay Board (For 25 Pin) (Qty 1)
	M9985	Relay Harness & Jack Screw Kit (25 pin)
	<input checked="" type="checkbox"/> M0984	Pick-Up, PV-2 (Qty 1)
	<input checked="" type="checkbox"/> M7236	Board, Relay/Transformer (Qty 1)
3	<input checked="" type="checkbox"/> 22672	Relay, Control (Qty 4)
4	<input checked="" type="checkbox"/> M3352	Transformer, 120V to 24V (Qty 1)
5	22593	Transformer, 208/230V to 115V (Qty 1)
37	<input checked="" type="checkbox"/> 24356	Transformer, 120V to 24V (Qty 1)(for M7885)
6	<input checked="" type="checkbox"/> 20349	Buzzer, 120V (Qty 1)
7	<input checked="" type="checkbox"/> 36066	Thermostat, High Limit Kit (Qty1)
	M9867	Probe Well Assy
8	<input checked="" type="checkbox"/> M1362	Snap Disc, L140-20F, 2 Pole SPST (Control Compartment)
9	<input checked="" type="checkbox"/> M2453	Snap Disc, L140-20F, 3 Pole SPDT (Blower Compartment)
10	<input checked="" type="checkbox"/> M6044	Snap Disc, L110-20F, 3 Pole SPDT (Computer)
	<input checked="" type="checkbox"/> M0152	Contact, Emergency Stop Switch (Qty 1)
	<input checked="" type="checkbox"/> M3296	Activator, Emergency Stop Switch (Mushroom Shape) (Qty 1)
	<input checked="" type="checkbox"/> M3297	Nameplate, Emergency Stop (Qty 1)

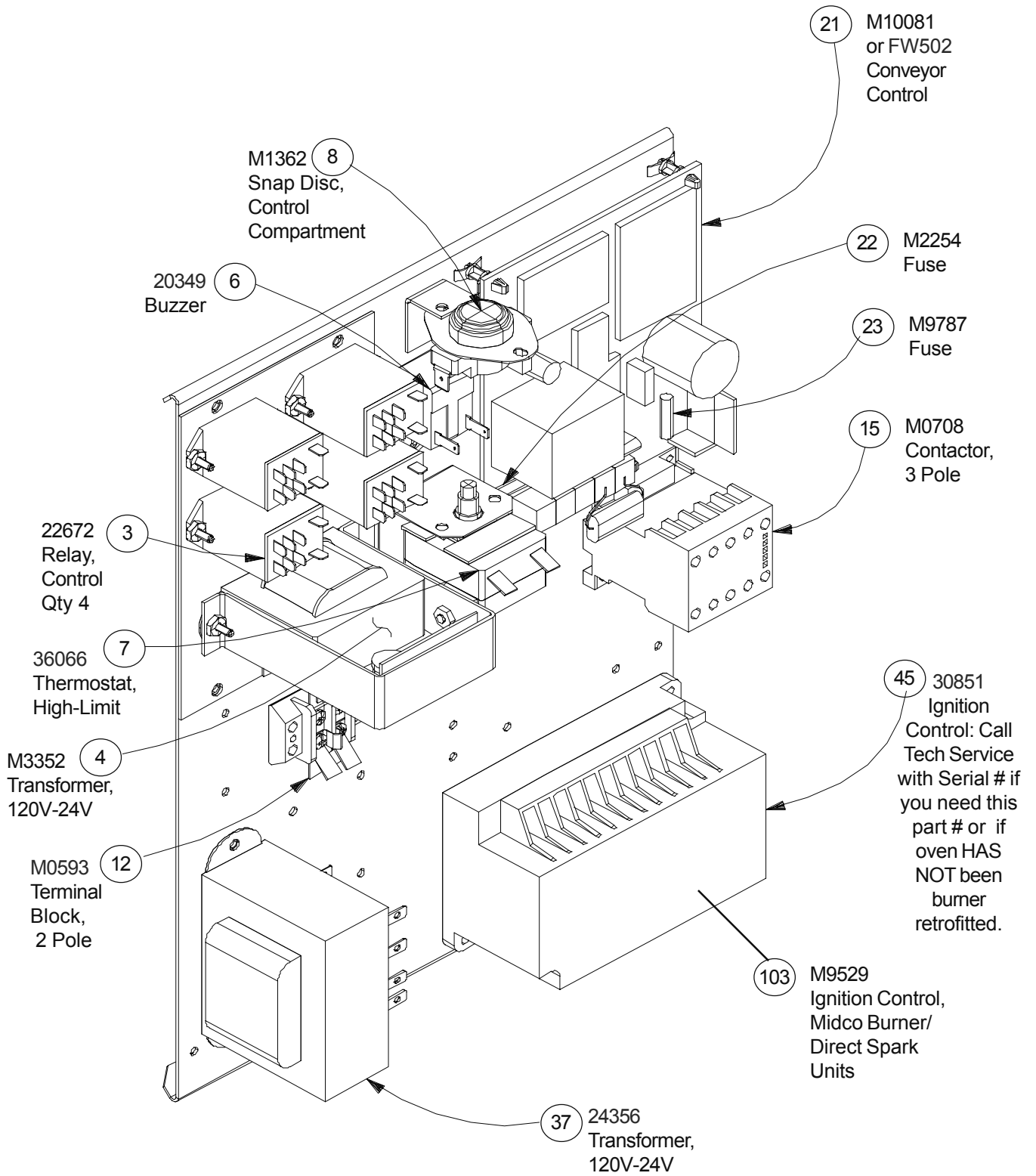
## ELECTRICAL COMPONENTS - Cont'd

Ref. No.	Part No.	Description
11	<input checked="" type="checkbox"/> 11204	Terminal Block, 3 Pole (Qty 1) Gas
98	M3714	Terminal Block, 3 Pole (Qty 1) Elec
99	M3715	Terminal Block, 1 Pole (Qty 1) Elec (Ground)
12	<input checked="" type="checkbox"/> M0593	Terminal Block, 2 Pole (Qty 1) or (CE Qty 2)
13	<input checked="" type="checkbox"/> M2469	Fan, Axial 110 CFM 4-1/2" (Qty 5)
14	22718	Fan Guard & Hardware (Qty 2)
	M0572	Cord, Axial Fan 30" Power (Qty 5)
	<input checked="" type="checkbox"/> M6576	Plate Assy., Control MT1828E
	M6578	Plate Assy., Control MT1828G
	M1694	Cord Set & Plug Assy., 10' MT1828G
	M7955	Cord Set & Plug Assy., 10' MT1828E
	M0772	Receptacle, Twist Lock
15	M0708	Contact, 3 Pole, 120V Coil (Fan)
16	M7159	Contact, 3 Pole, 30 AMP, 120V 3PH (Element)
	M6868	Contact, 2 Pole, 60 AMP, 120V 1PH (Element)
	M4988	Fuse, 5 AMP, 300V, SC-5 (Qty 2)
17	M0158	Fuse Holder (Qty 2) Elec Ovens
	M8559	Conv Kit, 208V 3PH to 240V 1PH
18	M6097	Element Assy., 208V, 3 PH (Qty 1)
18	M6099	Element Assy., 208V, 1 PH (Qty 1)
18	M6101	Element Assy., 220V (Qty 1)
18	M6098	Element Assy., 240V, 3 PH (Qty 1)
18	M6100	Element Assy., 240V, 1 PH (Qty 1)
18	M6102	Element Assy., 240V (Qty 1)
	M9839	Element, Individual 208V
	M9840	Element, Individual 220V
	M9841	Element, Individual 240V
19	90034	Lug, Grounding (Qty 1) Gas Ovens
	M9422	Pressure Switch
	M9705	Polyurethane Tubing, used w/pressure switch (Per Foot, Total 3 FT)
	M3118	Harness (back of control to motors)
	M3120	Harness (Contactor to control box)

### MT1828E DOMESTIC CONTROL PLATE ASSY (M6576)

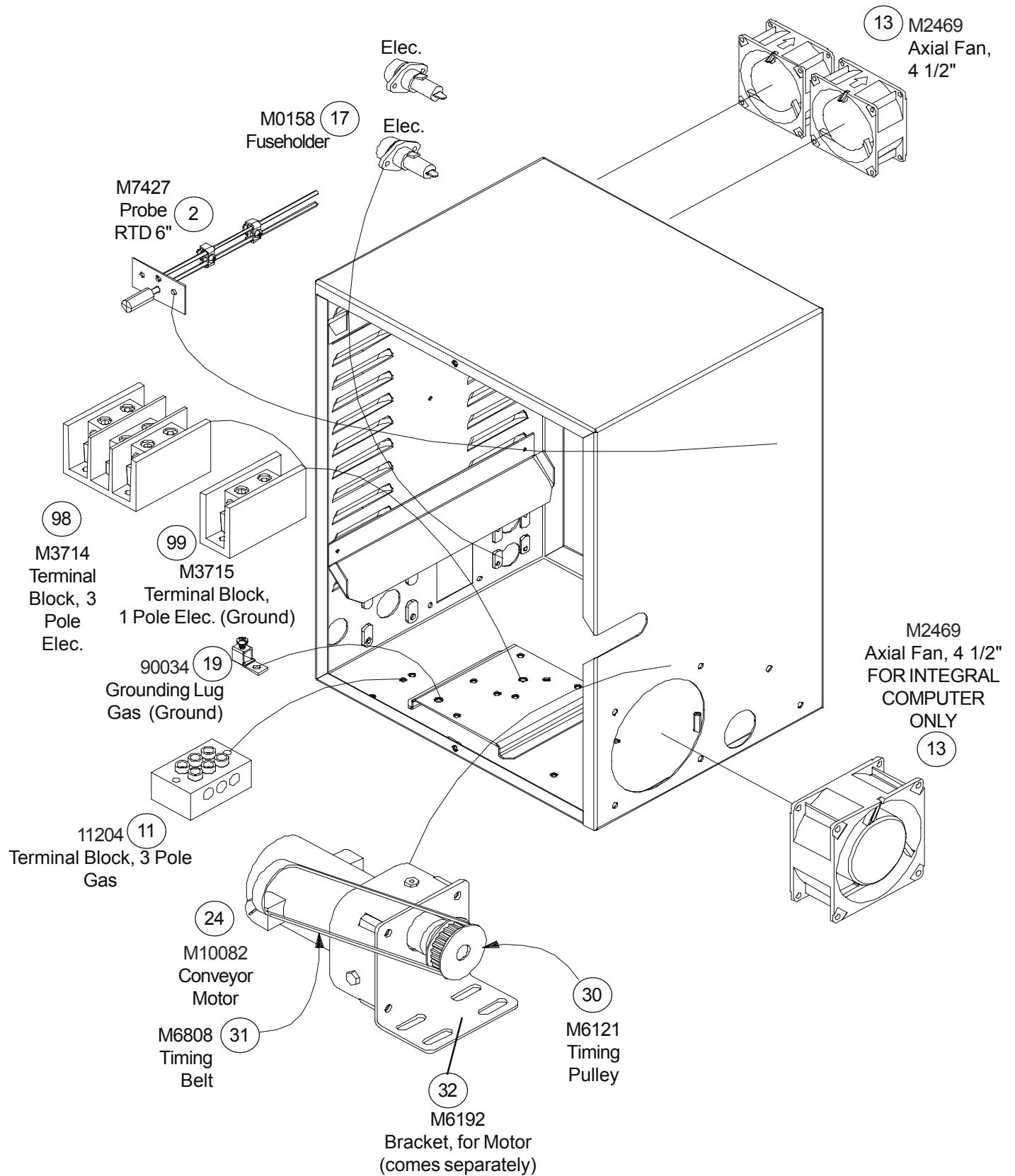


# MT1828G DOMESTIC & GENERAL EXPORT CONTROL PLATE ASSY (M6578)



# MT1828E & MT1828G DOMESTIC CONTROL BOX

(CONTROL PLATE AND/OR GAS BURNER COMPONENTS NOT SHOWN)



**DIRECT SPARK IGNITION SYSTEM  
STANDARD FOR OVENS MANUFACTURED  
AFTER 07/15/99 OR S.N. 071599GE066T**

**SEE PICTURES ON PAGE 7**

Ref. No.	Part No.	Description
36	<input checked="" type="checkbox"/> M7885	Blower Motor, Combustion 60 HZ (Qty 1)
	M6966	Gasket, Combustion Blower Motor (Qty 1)
102	M10425	Orifice Assy, Main Burner, Nat Replaces M10124
102	M10426	Orifice Assy, Main Burner, LP Replaces M10125
	M9705	Polyurethane Tubing, Per foot
<p><b>NOTE:</b> See Application below when ordering (Total 2 ft. when used w/Burner Retrofit Kits) (Total 3 ft. when used with Pressure Switch)</p>		
	M9422	Pressure Switch
103	<input checked="" type="checkbox"/> M9529	Ignition Control, Direct Spark
104	<input checked="" type="checkbox"/> M9530	Burner Ignitor
	<input checked="" type="checkbox"/> M9607	Probe, Temperature RTD 500 OHMS, 14"
105	<input checked="" type="checkbox"/> M9517	Flame Sensor
106	<input checked="" type="checkbox"/> M9871	Spark Wire only (Orange)
107	M9510	Burner, Complete LP & Nat
38	19086	Grommet, Rubber 5/8" (Qty 1)
40	<input checked="" type="checkbox"/> M7028	Gas Valve, Nat & LP(Qty 1)
<p><b>NOTE:</b> This valve is for both Nat &amp; LP only on Direct Spark Ignition units made after 07/15/99</p>		
	M9618	Harness, Gas Valve
41	<input checked="" type="checkbox"/> M0282	Gas Valve, Manual (Qty 1)
42	M0280	Tee, 3/4 x 3/4 x 1/4 (Qty 1)
43	M0281	Plug, Pipe 1/8 Black (Qty 1)

**HOT SURFACE IGNITION  
STANDARD FOR OVENS MANUFACTURED  
BEFORE 07/15/99 OR S.N. 071599GE066T**

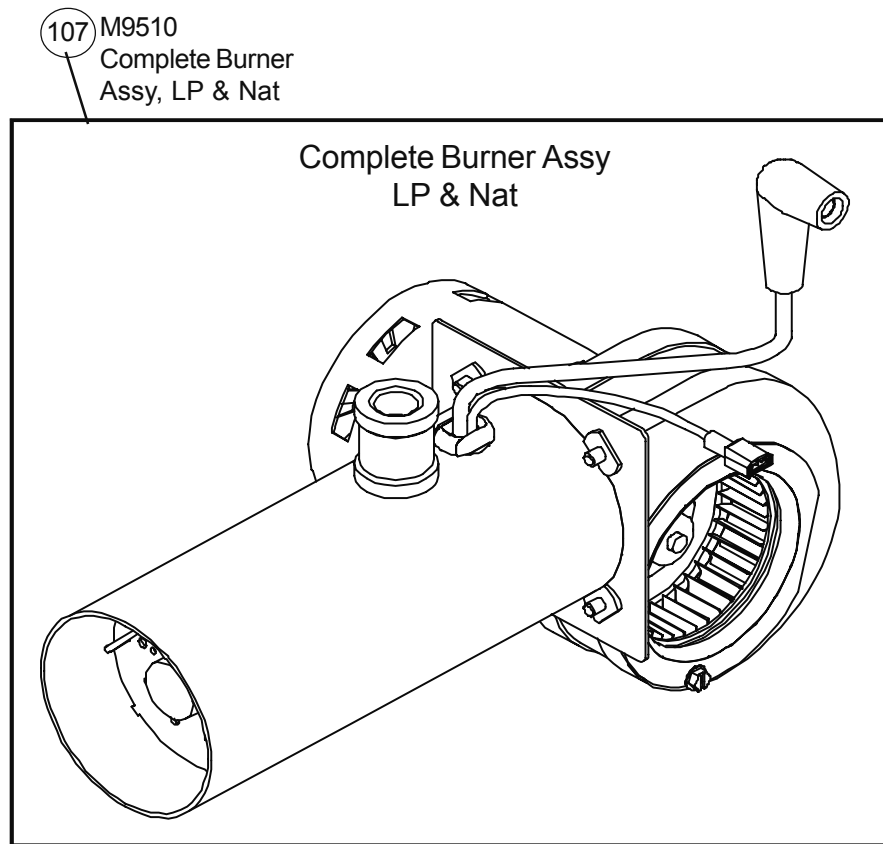
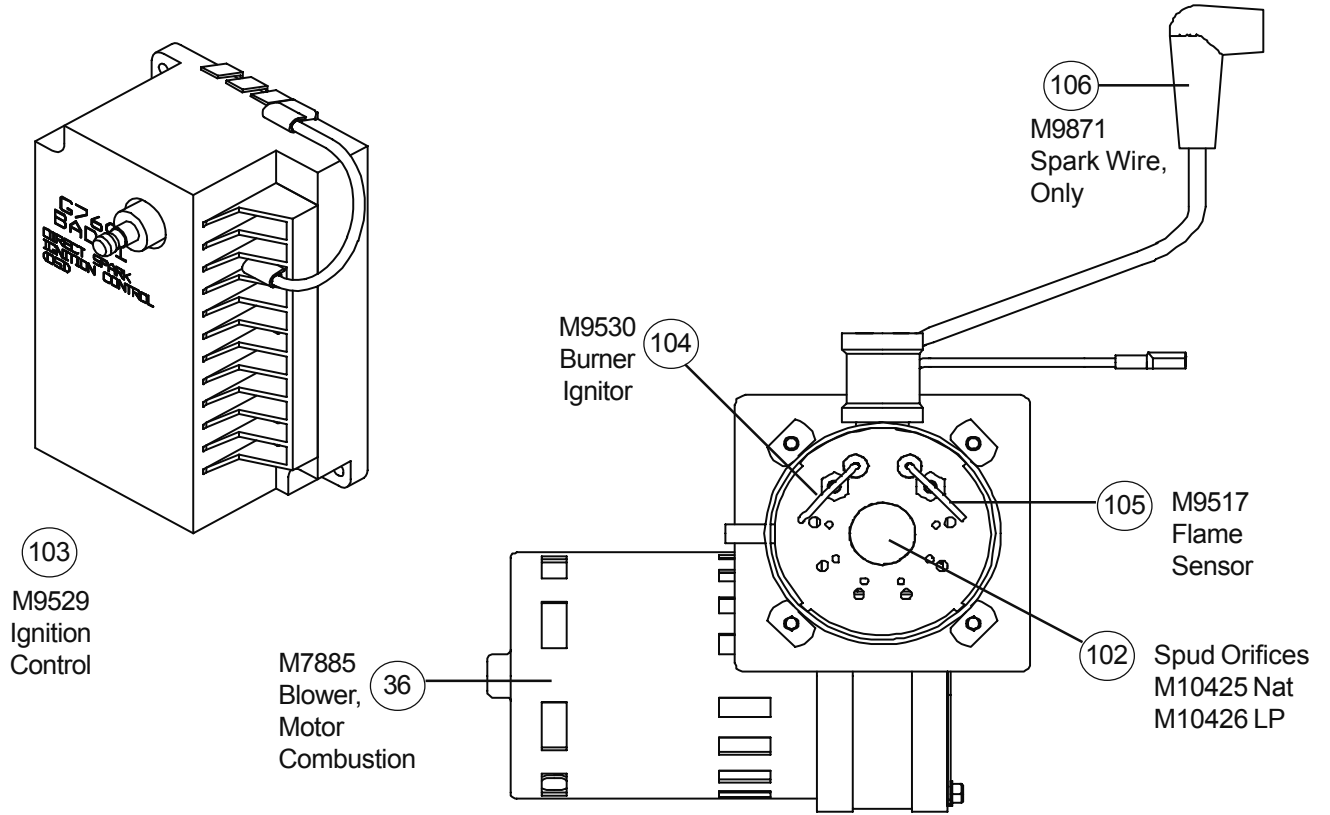
**SEE PICTURES ON PAGE 8**

**NOTE: IF YOU NEED TO ORDER THESE PARTS OR YOUR OVEN STILL HAS THE HOT SURFACE IGNITION, PLEASE CONTACT THE BLODGETT SERVICE DEPARTMENT WITH YOUR SERIAL NUMBER!! 1-800-331-5842**

Ref. No.	Part No.	Description
36	M7885	Blower Motor, Combustion 60 HZ (Qty 1)
	M6966	Gasket, Combustion Blower Motor (Qty 1)
	M7883	Burner Assy. (Qty 1)
100	M5970	Complete Burner Assy. MT1828G
33	M7066	Orifice, Main Burner, Nat (MTD 34) (Qty 1)
33	R5059	Orifice, Main Burner, LP (MTD 49) (Qty 1)
<p><b>NOTE:</b> This orifice does not come pre-drilled. You MUST specify the correct drill size, MTD 49.</p>		
34	M7815	Shroud, Flame Sensor (Qty 1)
35	<input checked="" type="checkbox"/> M7884	Probe, Flame Sensing (Qty 1)
45	<input checked="" type="checkbox"/> 30851	Control, Hot Surface Ignition (Qty 1)
46	<input checked="" type="checkbox"/> M7886	Ignitor, Hot Surface (Crossfire) (Qty 1)
	M6578	Plate Assy., Control MT1828G (Qty 1) (Before 7/15/99 or S.N. 071599GE066T)
38	19086	Grommet, Rubber 5/8" (Qty 1)
40	<input checked="" type="checkbox"/> M7028	Gas Valve, Nat (Qty 1)
40	<input checked="" type="checkbox"/> M7154	Gas Valve, LP (Qty 1)
41	<input checked="" type="checkbox"/> M0282	Gas Valve, Manual (Qty 1)
42	<input checked="" type="checkbox"/> M0280	Tee, 3/4 x 3/4 x 1/4 (Qty 1)
43	M0281	Plug, Pipe 1/8 Black (Qty 1)
44	M6980	Manifold Assy. (Qty 1)
47	M7497	Pry Out Plug (for Burner) (Qty 1)
	M6958	Gasket, End Cap (Qty 1)
	M9422	Pressure Switch
	M9705	Polyurethane Tubing, used w/pressure switch (Per Foot, Total 3 FT)

# MT1828G BURNER ASSY, DIRECT SPARK IGNITION SYSTEM DOMESTIC

STANDARD FOR OVENS MANUFACTURED AFTER 07/15/99 OR S.N. 071599GE066T

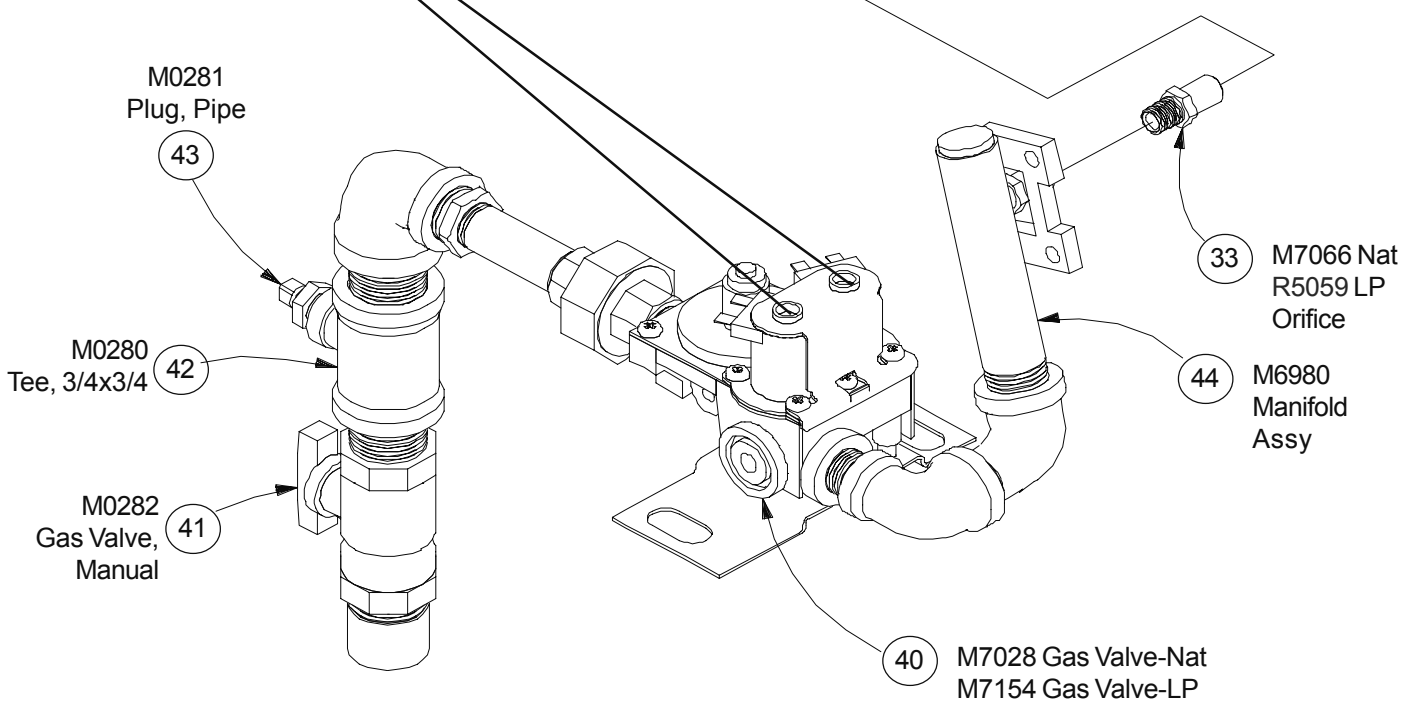
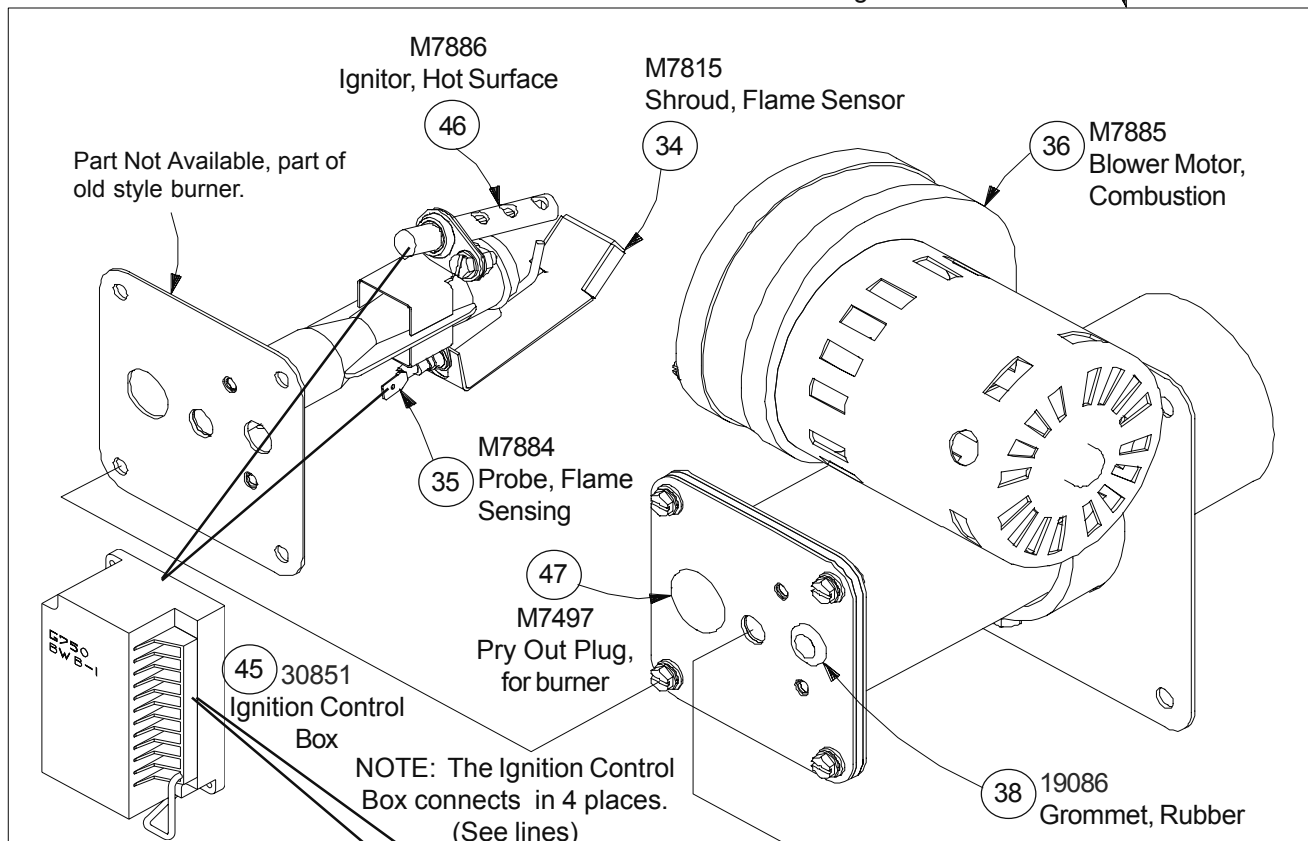


# MT1828G DOMESTIC & GENERAL EXPORT GAS BURNER COMPONENTS

## HOT SURFACE IGNITION

Standard for ovens before 07/15/99, unless oven is retrofitted with new burner system. If you need to order these parts please call Technical Service with your serial number!!

M5970 Complete Burner Assy, does not include Ignition Control (100)





**CONVECTION COMPONENTS**

**SEE PICTURES ON PAGE 10**

Ref. No.	Part No.	Description
48	M7156	Motor & Blower Assy., CW, 50/60 HZ (Qty 2)
	M5944	Insulation Kit, Motor (2 Blower) (Qty 1)
49	M6807	Plate Assy., Air (Upper) (Qty 1)
50	M6805	Plate Assy., Block Off (Upper) (Nozzle)
51	M5820	Nozzle Assy., (Under Conveyor) (Qty 3)
52	M6828	Nozzle Assy., (Under Conveyor) (Qty 2)
	M4131	Block Off Plate (Integral Control Ovens)
	M9639	Plate,Block Off (Nozzle) for Donato's
	M9640	Air Plate Assy., for Donato's
39	M6969	Tube Assy., Flame (Qty 1)

**CONVEYOR COMPONENTS**

**SEE PICTURES ON PAGE 10 OR 3&4**

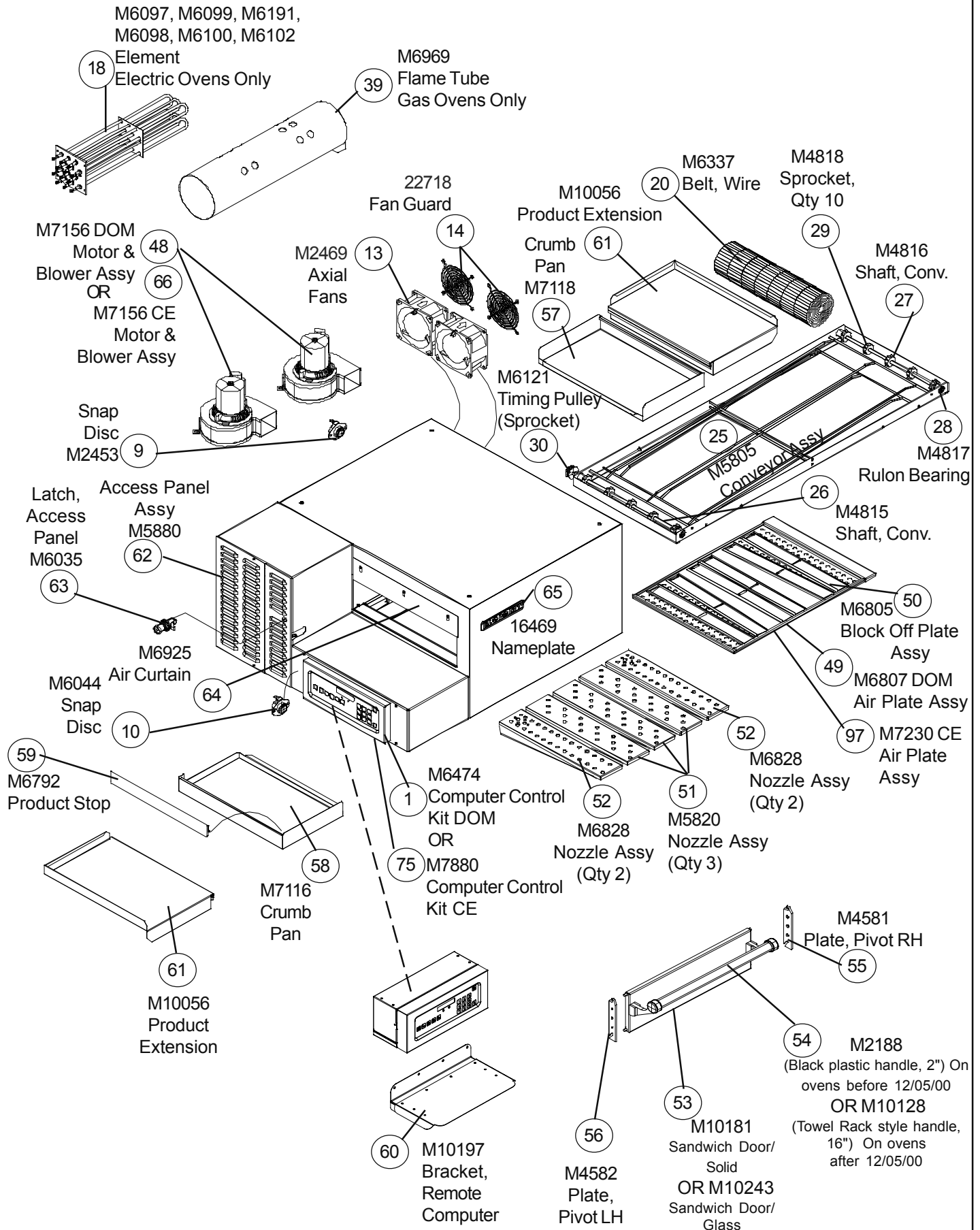
Ref. No.	Part No.	Description
20	M6337	Belt, Wire S/S 18" (Per Foot) (Total Length 9 FT)
23	M9787	Fuse, Armature, 250MA, 250V (Replaces part M2316, DOMESTIC ONLY)
22	M2254	Fuse, Line, Bodine Board, 5 AMP, 125V
	M3301	Capacitor, Digital Speed Control Board
21	<input checked="" type="checkbox"/> FW502	Digital Speed Control Board, Bodine Recond
<p><b>NOTE:</b> M2379 is no longer available</p>		
<input checked="" type="checkbox"/>	M10099	Conveyor Motor & Control Kit, Brushless (for Computerized Ovens) *See Note
21	<input checked="" type="checkbox"/> M10081	Conveyor Control, Brushless *See Note
24	<input checked="" type="checkbox"/> M10082	Conveyor Motor, Brushless *See Note
<p><b>*NOTE:</b> You must install the Brushless Kit BEFORE you purchase the new brushless motor or control separately.</p>		
32	<input checked="" type="checkbox"/> M6192	Bracket (For M10082)
	M2500	Brush Set, Bodine (Qty 1)
25	M5805	Conveyor Assy. (Qty 1)
26	M4815	Shaft, Conveyor Drive(Qty 1)
27	M4816	Shaft, Conveyor Idle (Qty 1)
28	M4817	Bearing, Rulon (Qty 4)
	M4812	Bushing, for Bearing M4817 (Qty 4)
29	M4818	Sprocket, Wire Belt (Qty 10)
30	M6121	Pulley, Timing 1/5P 3/8 Wide (Sprocket)(Qty 1)
31	<input checked="" type="checkbox"/> M6808	Belt, Timing (Qty 1) (Marked "220XL")
	M9862	Chain Guard (Only on units after 07/16/99 or S.N. 071699GE040T)

**EXTERIOR COMPONENTS**

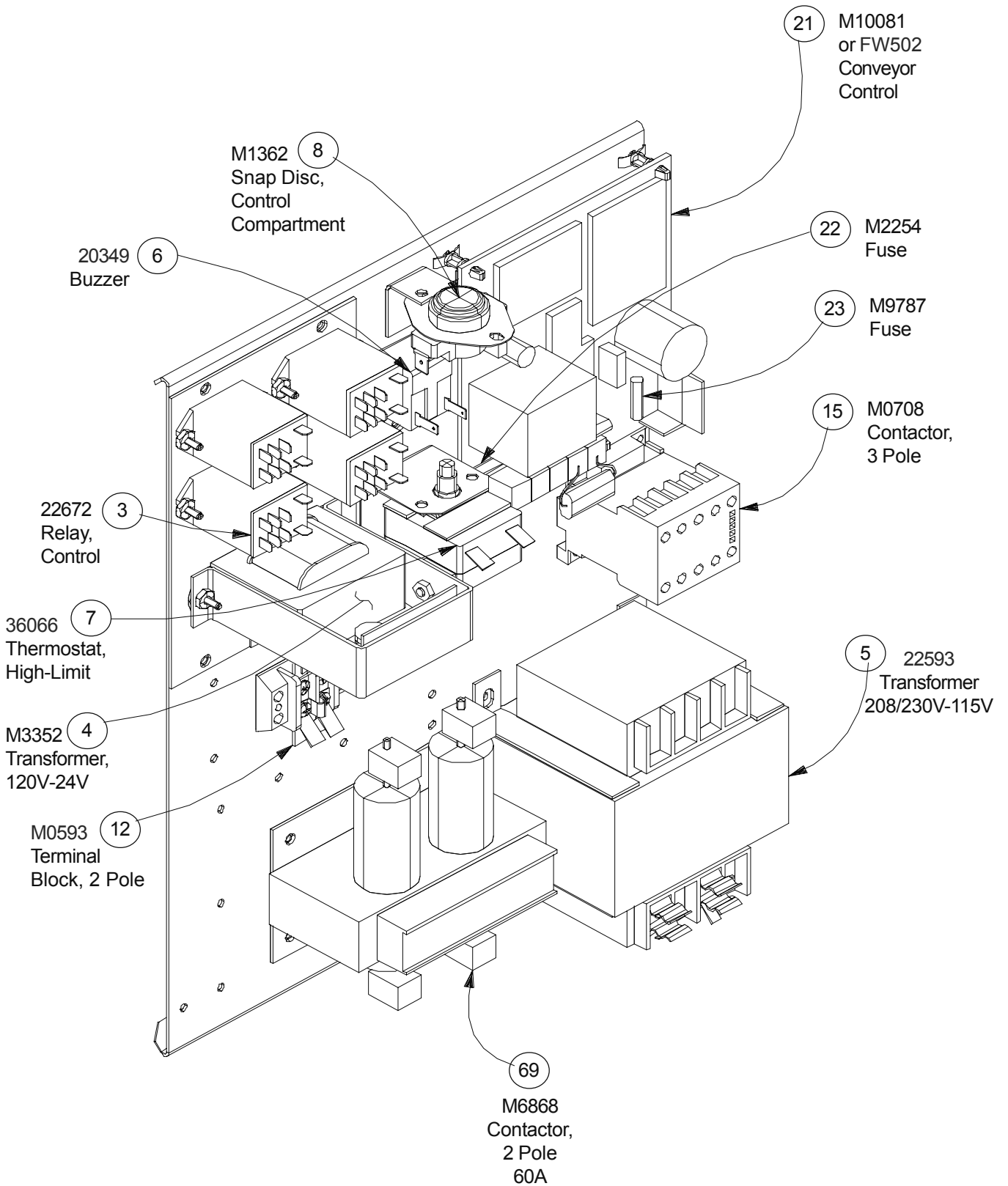
**SEE PICTURES ON PAGE 10**

Ref. No.	Part No.	Description
53	M10181	Sandwich Door Assy, 17"x5", Solid w/ handle Replaces M4587
53	M10243	Sandwich Door Assy, 17"x5", Glass w/ handle Replaces M9237
<p><b>NOTE:</b> For ALL ovens, if you need a new sandwich door order part M10181, Door Assy, or part M10243, Door Assy.</p>		
	M10128	Handle Kit, 16 1/2" For M10181 & M10243 For ovens after 12/05/00, or converted units with 16 1/2" handle
	M2188	Handle Assy, 2" black plastic, for Sandwich Door For ovens before 12/05/00
<p><b>NOTE:</b> To convert from a 2" to a 16 " handle you must purchase a complete door assy M10181 or M10243.</p>		
55	M4581	Plate, Pivot RH Slotted (Qty 1)
56	M4582	Plate, Pivot LH Slotted (Qty 1)
57	M7118	Crumb Pan, Idle (Single Section) (Qty 1)
	M7117	Crumb Pan, Idle (Top Section) (Qty 1)
58	M7116	Crumb Pan, Drive (Qty 1)
59	M6792	Product Stop (Qty 1)
61	M10056	Product Extension, 12", Drive & Idle Side (Qty 2 per oven)
62	M5880	Panel Assy., Access (Power)
63	M6035	Latch, Access Panel Assy. (Qty 1)
64	M6925	Air Curtain, Drive Side (Qty 1)
	M6945	Air Curtain, Idle Side (Qty 1)
	M6955	Heat Shield Kit
	M5899	Heat Shield, Only
	M6813	Chimney Kit, Single (Qty 1)
	M6814	Chimney Kit, Double (Qty 1)
	M6815	Chimney Kit, Triple (Qty 1)
	M5847	Body Back (Qty 1)
	M5953	Stand, 24" S/S w/casters (Sgl & Dbl Ovens)
	M2532	Triple Base w/casters (Qty 1)
	M9106	Pins, Stacking (Set of 4)
	M9083	Stacking Kit
	21826	Installation Hose, 36" (Qty 1)
	21242	Installation Hose, 48" (Qty 1)
65	16469	Nameplate, Blodgett 7-3/4" (Qty 1)
	M9931	Kit, Integral to Remote Mount, Computer Conversion (does not include computer)

### MT1828E & MT1828G EXTERIOR OVEN VIEW



### MT1828E GENERAL EXPORT CONTROL PLATE ASSY (M6577)



**EXCLUSIVE TO VERSION AA**

**Philippines & Korea**

Ref. No.	Part No.	Description
	M9150	Transformer, 220V/110V
	M6924	Decal, Lexan Control

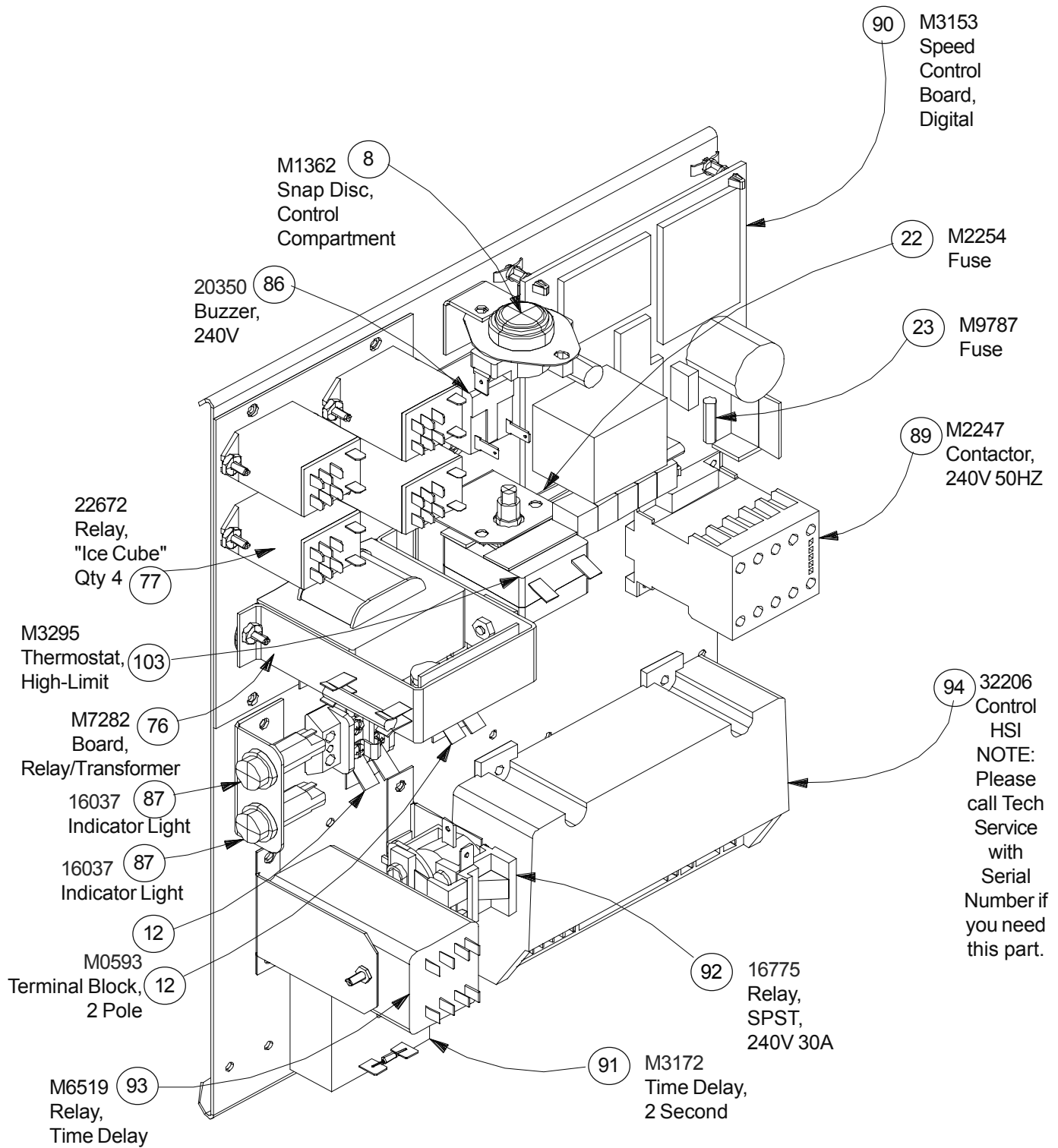
**EXCLUSIVE TO EXPORT 50 HZ**

Ref. No.	Part No.	Description
90	M3153	Speed Control Board, Digital (Gas ovens only)
24	M3128	Conveyor Drive Motor, 180V (Gas ovens only)
	M6888	Element Assy., 220/380V, 1 PH (Qty 1)
	M6101	Element Assy., 220/380V, 3 PH (Qty 1)
	M6100	Element Assy., 240/415V, 1 PH (Qty 1)
	M6102	Element Assy., 240/415V, 3 PH (Qty 1)
66	M7156	Motor & Blower Assy., CW 50/60 HZ (Qty 2)
67	M6527	Gas Valve, Nat 230V (Qty 1)
67	M6528	Gas Valve, LP 230V (Qty 1)
33	M7066	Orifice Assy, Nat Gen Exp CE Units before 02/28/00
33	R5059	Orifice Assy, LP Gen Exp CE Units before 02/28/00
102	M10425	Orifice Assy, Main Burner, Nat Gen Exp CE Replaces M10124 Units after 02/28/00
102	M10426	Orifice Assy, Main Burner, LP Gen Exp CE Replaces M10125 Units after 02/28/00
	M10177	Gas Conversion Kit, LP to Nat CE **Except France and Belgium
	M10178	Gas Conversion Kit, Nat to LP CE **Except France and Belgium
	M10179	Gas Conversion Kit, LP to Nat CE **France and Belgium only
	M10180	Gas Conversion Kit, Nat to LP CE **France and Belgium only
	M6868	Contactora, Mercury 120V (Qty 1)
71	M6029	Connector, Liquid Tight (Qty 1)
72	R0166	Terminal Block, Ground (Qty 1)
73	M4542	Terminal Block, Power (Qty 1) CE
74	R1580	Stop, End (Qty 1)
75	M7880	Computer Control Kit Closed Loop SB, CE
	M8559	Wire Conversion Kit, 208V, 1PH, 3Wire to 220/240V, 1PH, 2Wire
76	M7282	Board, Relay/Transformer (Qty 1) CE
	M8704	Fuse, 250V, 125 MA (for M7282) CE (Replaces part M8652)
	M6024	Transformer (for M7282) CE
77	22672	Relay, "Ice cube" (Qty 4) CE
78	M3443	Bushing, Adapter (Qty 2) CE
79	M2841	Fitting, Pressure Tap (Qty 2) CE
35	<input checked="" type="checkbox"/> M7884	Probe, Flame Sensing (Qty 1) CE (Before 7/15/99 or S.N. 071599GE066T) Use if oven has not been burner retrofitted.
94	32206	Control, Hot Surface Ignition (Qty 1) CE
95	M6504	Ignitor, Hot Surface (Crossfire) (Qty 1) CE

**EXCLUSIVE TO EXPORT 50 HZ**

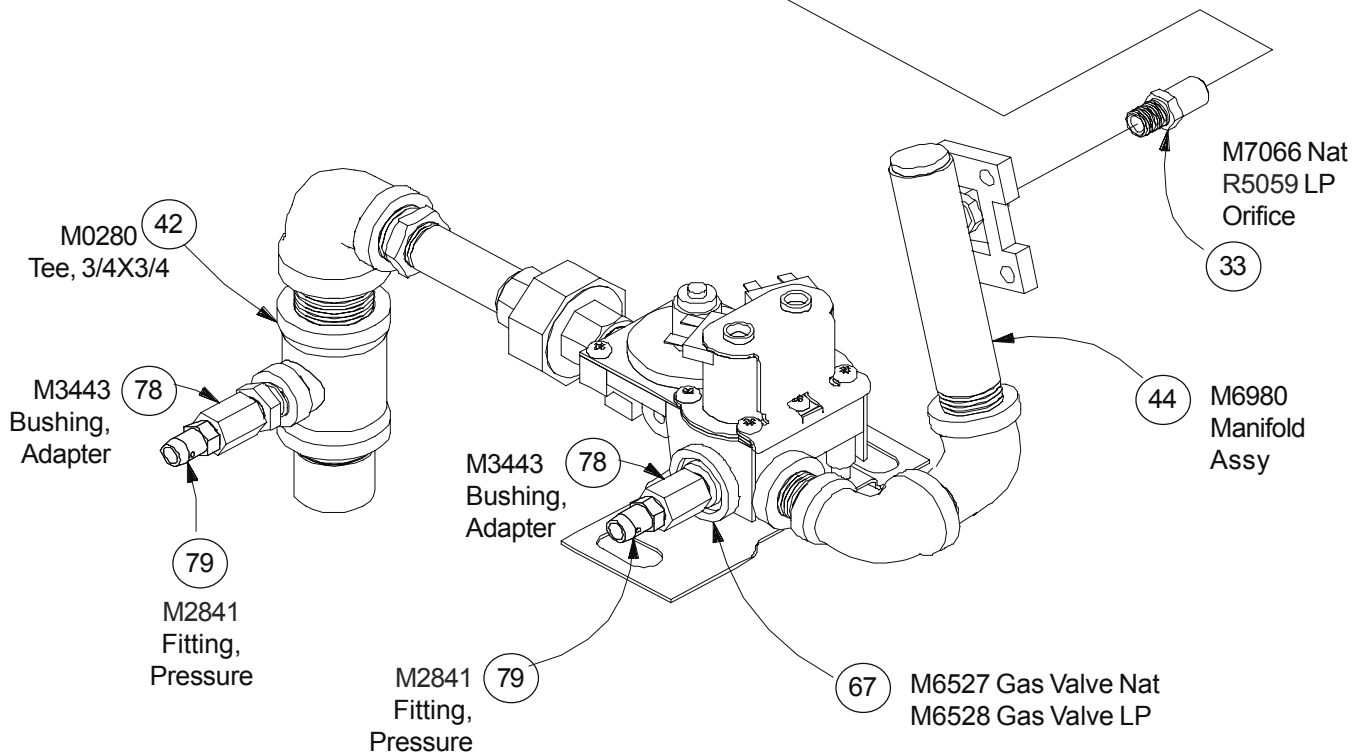
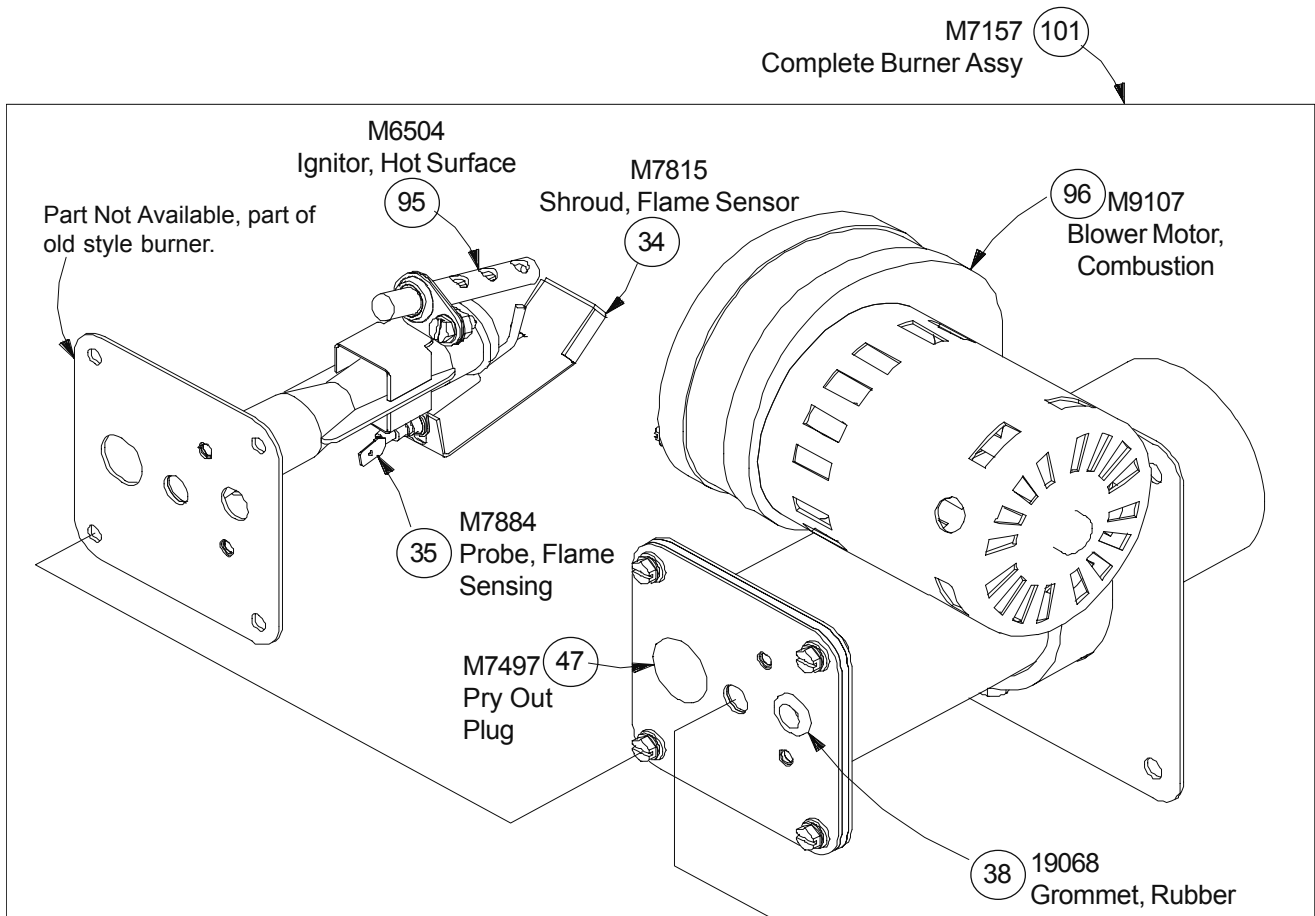
Ref. No.	Part No.	Description
34	M7815	Shroud, Flame Sensor (Qty 1) CE
105	M9517	Probe, Flame Sensing (Qty 1) CE (After 7/15/99 or S.N. 071599GE066T) Use if oven has been burner retrofitted.
2	M7427	Probe, RTD, 500 OHMS (Qty 1) 6" (After 7/15/99 or S.N. 071599GE066T)
	M9607	Probe, RTD 500 Ohms 14" (After 7/15/99 or S.N. 071599GE066T) Use if oven has been burner retrofitted.
	M9530	Ignitor, Direct Spark (Qty 1) CE (After 7/15/99 or S.N. 071599GE066T) Use if oven has been burner retrofitted.
84	M6448	Filter, Noise (Qty 1) CE
85	M6449	Filter, Noise (Qty 1) CE
86	20350	Buzzer, 240V (Qty 1) CE
101	M7157	Complete Burner Assy. CE
87	16037	Indicator Light, 250V, Red, Round (Qty 2) CE
103	M3295	Thermostat, High Limit (Man Reset) CE
70	M0595	Air Pressure Switch CE & Gen Exp Gas Ovens only
	M9978	Conversion Kit, Air Pressure Differential Switch CE & Gen Exp Gas Ovens Only (Replaces M3330 or M2819)
88	M9422	Air Pressure Differential Switch, switch only CE & Gen Exp Gas Ovens only
	M9705	Polyurethane Tubing, used w/pressure switch (Per Foot, Total 3 FT) CE & Gen Exp
89	M2247	Contactora, 240V, 50 HZ (Qty 1) CE
91	M3172	Time Delay, 2 Second (Qty 1) CE
	M3173	Timer, 10 second fixed (Qty 1) CE
92	16775	Relay, SPST, 240V, 30 Amp. (Qty 1) CE
93	M6519	Relay, Time Delay (Qty 1) CE
96	M9107	Blower Motor, Combustion 50 HZ (Qty 1) CE
97	M7230	Plate Assy., Air (Qty 1) CE
	M3167	Fuseholder, Type HTB-36M CE
	M8592	Fuse, Export 5AMP CE
	M4988	Fuse, 5AMP, 300V, Class G
	M2316	Fuse, Armature, 200MA, 250V (Qty 1) CE
	M2630	Fuse, Line, Bodine Board, 500MA, 250V (Qty 1) CE
45	M7170	Transformer, 208/460V-120 CE & NON CE
	M8744	Leg/ Casters, 17 1/4" (Set of 4) CE
	M8745	Leg/Casters, 23 1/4" (Set of 4) CE

### MT1828G CE CONTROL PLATE ASSY (M6575)



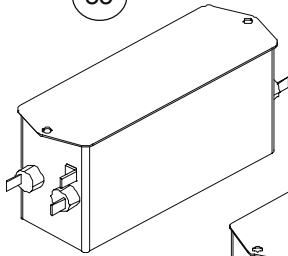
# MT1828G CE GAS BURNER COMPONENTS HOT SURFACE IGNITION

(CONTROL BOX NOT SHOWN)

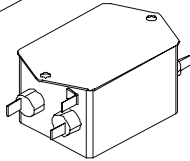


### MT1828E & MT1828G EXCLUSIVE TO 50 HZ & CE CONTROL BOX

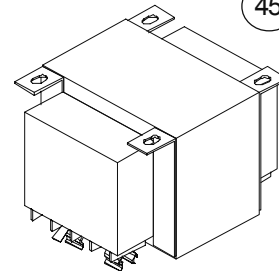
M6449  
Noise Filter  
85



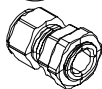
M6448  
Noise Filter  
84



M7170  
Transformer  
208/460-120V  
45

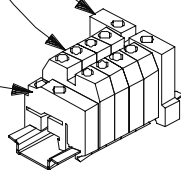


M6029  
Connector, Liquid  
Tight  
71



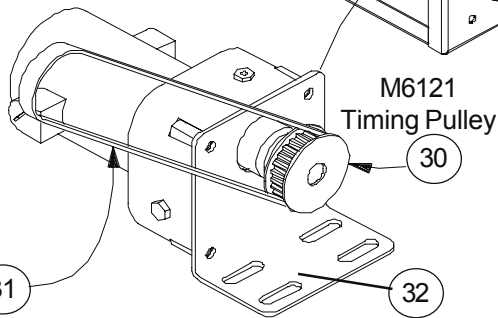
R0166  
Terminal Block,  
Ground  
72

M4542  
Terminal  
Block,  
Power  
73



R1580  
End Stop  
74

M10082  
Conveyor  
Motor  
24

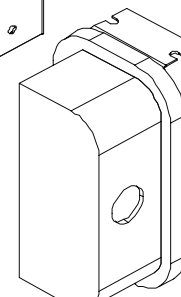


M6808  
TimingBelt  
31

M6121  
Timing Pulley  
30

M6192  
Bracket, for Motor  
(comes separately)  
32

M9422  
Air Pressure  
Differential  
Switch  
88



M0595-Air Pressure  
Switch  
70

