



MT3240E AND MT3240G

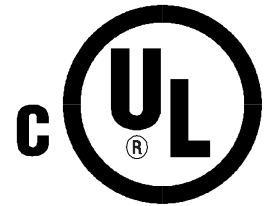
CONVEYOR OVENS

INSTALLATION – OPERATION – MAINTENANCE

MT3240E ET MT3240G

FOURS À BANDE TRANSPORTEUSE

MANUEL D'INSTALLATION – FONCTIONNEMENT – ENTRETIEN



BLODGETT OVEN COMPANY

www.blodgettcorp.com

50 Lakeside Avenue, Box 586, Burlington, Vermont 05402 USA Telephone (800) 331-5842, (802) 860-3700 Fax: (802)864-0183

PN M4194 Rev A (2/00)

© 2000 – G.S. Blodgett Corporation

IMPORTANT

WARNING: IMPROPER INSTALLATION, ADJUSTMENT, ALTERATION, SERVICE OR MAINTENANCE CAN CAUSE PROPERTY DAMAGE, INJURY OR DEATH. READ THE INSTALLATION, OPERATING AND MAINTENANCE INSTRUCTIONS THOROUGHLY BEFORE INSTALLING OR SERVICING THIS EQUIPMENT

AVERTISSEMENT: UNE INSTALLATION, UN AJUSTEMENT, UNE ALTÉRATION, UN SERVICE OU UN ENTRETIEN NON CONFORME AUX NORMES PEUT CAUSER DES DOMMAGES À LA PROPRIÉTÉ, DES BLESSURES OU LA MORT. LISEZ ATTENTIVEMENT LES DIRECTIVES D'INSTALLATION, D'OPÉRATION ET D'ENTRETIEN AVANT DE FAIRE L'INSTALLATION OU L'ENTRETIEN DE CET ÉQUIPEMENT.

INSTRUCTIONS TO BE FOLLOWED IN THE EVENT THE USER SMELLS GAS MUST BE POSTED IN A PROMINENT LOCATION. THIS INFORMATION MAY BE OBTAINED BY CONTACTING YOUR LOCAL GAS SUPPLIER.

LES INSTRUCTIONS À RESPECTER AU CAS OÙ L'UTILISATEUR PERÇOIT UNE ODEUR DE GAZ DOIVENT ÊTRE AFFICHÉES DANS UN ENDROIT BIEN VISIBLE. VOUS POUVEZ VOUS LES PROCURER AUPRÈS DE VOTRE FOURNISSEUR DE GAZ LOCAL.

FOR YOUR SAFETY

Do not store or use gasoline or other flammable vapors or liquids in the vicinity of this or any other appliance.

AVERTISSEMENT

Ne pas entreposer ni utiliser de l'essence ni d'autres vapeurs ou liquides inflammables dans le voisinage de cet appareil, ni de tout autre appareil.

The information contained in this manual is important for the proper installation, use, and maintenance of this oven. Adherence to these procedures and instructions will result in satisfactory baking results and long, trouble free service. Please read this manual carefully and retain it for future reference.

Les informations données dans le présent manuel sont importantes pour installer, utiliser et entretenir correctement ce four. Le respect de ces instructions et procédures permettra d'obtenir de bons résultats de cuisson et une longue durée de service sans problèmes. Veuillez lire le présent manuel et le conserver pour pouvoir vous y reporter à l'avenir.

Errors: Descriptive, typographic or pictorial errors are subject to correction. Specifications are subject to change without notice.

Erreurs: Les erreurs de description, de typographie ou d'illustration font l'objet de corrections. Les caractéristiques sont sujettes à modifications sans préavis.



THE REPUTATION YOU CAN COUNT ON
UNE RÉPUTATION SUR LAQUELLE VOUS POUVEZ COMPTER

For over a century and a half, The Blodgett Oven Company has been building ovens and nothing but ovens. We've set the industry's quality standard for all kinds of ovens for every foodservice operation regardless of size, application or budget. In fact, no one offers more models, sizes, and oven applications than Blodgett; gas and electric, full-size, half-size, countertop and deck, convection, Cook'n Hold, Combi-Ovens and the industry's highest quality Pizza Oven line. For more information on the full line of Blodgett ovens contact your Blodgett representative.

Cela fait maintenant dessus un siècle et demi que Blodgett se spécialise dans la fabrication de fours. Nous avons établi les normes de qualité qui s'appliquent dans l'industrie à tous les types de fours utilisés dans les services alimentaires, quel qu'en soit la taille, l'exploitation ou le budget. En fait, ni n'offre plus de modèles, de tailles et d'applications de fours que Blodgett. À gaz et électriques. De tailles différentes, sur plan de travail et superposables. Ou'il s'agisse de fours à convection, des modèles Cook'n Hold et Combi-Oven, ou de la gamme de fours à pizzas de la plus haute qualité offerte sur le marché. Pour de plus amples informations sur la gamme complète de fours Blodgett, veuillez contacter votre représentant Blodgett.

Your Service Agency's Address:
Adresse de votre agence de service:



Model/Modèle:

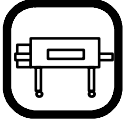
Serial Number/Numéro de série:

Your oven was installed by/
Installateur de votre four:

Your oven's installation was checked by/
Contrôleur de l'installation de votre four:

Table of Contents/Table des Matières

Introduction		Introduction	
Oven Description and Specifications	2	Description et Spécifications du Four	28
Oven Components	3	Éléments du Four	29
Installation		Installation	
Delivery and Inspection	4	Livraison et Inspection	31
Oven Location and Ventilation	5	Implantation et aération du four	32
Oven Assembly	6	Montage du Four	33
Oven Supports and Casters	6	Les Supports du Four et les Roulettes	33
Stacking the Ovens	6	Superposition des Fours	33
Conveyor Belt Support	7	Support de Bande Transporteuse	34
Conveyor Belt	8	La Bande Transporteuse Métallique	35
Conveyor Belt Tensioner	10	Tendeurs du Tapis	37
Crumb Pans	10	Plateaux pour Miettes	37
Optional Remote Computer Control	10	L'Ordinateur de Cuisson Détaché	37
Utility Connections – Standards and Codes	11	Branchements de Service – Normes et Codes	38
Gas Connection	12	Branchement de Gaz	39
Electrical Connection	15	Raccordement Électrique	42
Operation		Utilisation	
Safety Information	16	Informations de Sécurité	43
Cooking Computer	17	L'Ordinateur de Cuisson	44
Oven Adjustments for Cooking	19	Réglages du Four Pour la Cuisson	46
Maintenance		Entretien	
Cleaning	20	Nettoyage	47
Box Component Locations	23	Emplacements des composants du boîtier de commande	50
Troubleshooting Guide	25	Guide de Détection des Pannes	52



Introduction

Oven Description and Specifications

Cooking in a conveyor oven differs from cooking in a conventional deck or range oven since heated air is constantly recirculated over the product by a fan in an enclosed chamber. The moving air continually strips away the layer of cool air surrounding the product, quickly allowing the heat to penetrate. The result is a high quality product, cooked at a lower temperature in a shorter amount of time.

Blodgett conveyor ovens represent the latest advancement in energy efficiency, reliability, and ease of operation. Heat normally lost, is recirculated within the cooking chamber before being vented from the oven: resulting in substantial reductions in energy consumption, a cooler kitchen environment and enhanced oven performance.

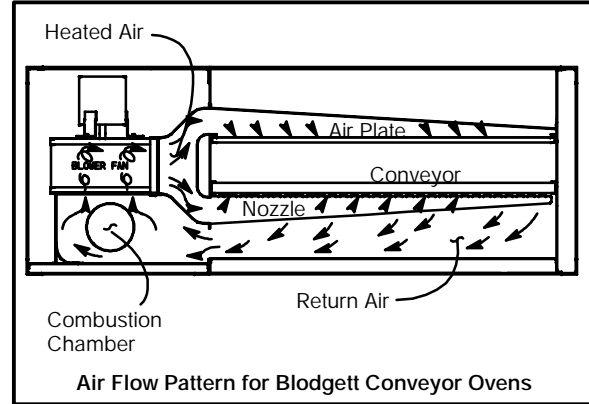
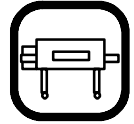


Figure 1

SPECIFICATIONS	MT3240G	MT3240E
Belt Width	32" (81 cm)	32" (81 cm)
Cooking Zone Length	40" (102 cm)	40" (102 cm)
Baking Area	8.89 Sq. Ft. (0.83 m ²)	8.89 Sq. Ft. (0.83 m ²)
Dimensions (single unit)	72" x 56" x 20" (183 cm x 142 cm x 51 cm)	72" x 56" x 20" (183 cm x 142 cm x 51 cm)
Maximum Input	100,000 BTU/Hr. (24 kW/Hr.)	24 kW/Hr.
Maximum Operating Temperature	600_F (315_C)	600_F (315_C)
Product Clearance	3.5" (6.4 cm)	3.5" (6.4 cm)
Power Supply	U.S. and Canadian 120/208-240VAC, 1Φ, 60 Hz, 5 amp, 3 wire General Export 220-240VAC, 1Φ, 50Hz, 4 amp 3 wire	U.S. and Canadian 208VAC, 3Φ, 60Hz, 67 amp, 3 wire 240VAC, 3Φ, 60Hz, 58 amp, 3 wire General Export 220/380, 3Φ, 50Hz, 37 amp, 3 wire 240/415VAC, 3Φ, 50Hz, 34 amp, 3 wire
Gas Supply	Natural Gas: 4.5" W.C. (1.1 kPa) minimum 10.5" W.C. (2.61 kPa) maximum Propane: 11.0" W.C. (2.74 kPa) minimum 13.0" W.C. (3.2 kPa) maximum	None
Gas Supply Connection	3/4" NPT	None



Oven Components

Conveyor Belt – stainless steel chain link (conveyor) belt that carries product through the oven.

Conveyor Belt Master Links – allow easy removal of the conveyor belt for maintenance and cleaning. Identified by locating double spaces between regular links on belt.

Conveyor Belt Support Assembly (drive & idle sides) – located on both ends of oven deck. Drive side support drives conveyor belt.

Conveyor Belt Tensioners – maintain tension on the end of the conveyor belt.

Control Box – contains electrical wiring, cooling fan, drive motor and drive chain.

Drive Motor – provides power to move the conveyor belt.

Drive Chain – connects the drive motor sprocket to the drive side conveyor belt support sprocket.

Baking Chamber – products pass through the baking chamber on the conveyor belt for cooking.

Nozzles – distribute heated air to the bottom of the baking chamber. Located inside the oven, under the conveyor belt.

Nozzle Hold-Down Bracket – holds the front end of the nozzles in position. Located inside the oven.

Return Air Diverters – diverts return air from the baking chamber back to the combustion chamber. Ensures even baking throughout oven. Located inside the oven, beneath the nozzles.

Upper End Plug – keeps heat in the baking chamber. Located on each end above the conveyor belt.

Lower End Plug – helps keep heat in the baking chamber. Located at each end below the conveyor belt.

Crumb Pan – catches crumbs from products on the conveyor. Located under conveyor belt at both ends of the baking chamber.

Air Flow Plate – distributes heated air to top of baking chamber. Located inside of oven at the top of baking chamber.

Emergency Shut Down Switch – allows user to turn oven and conveyor off in an emergency. **Do not use for general shut down.**

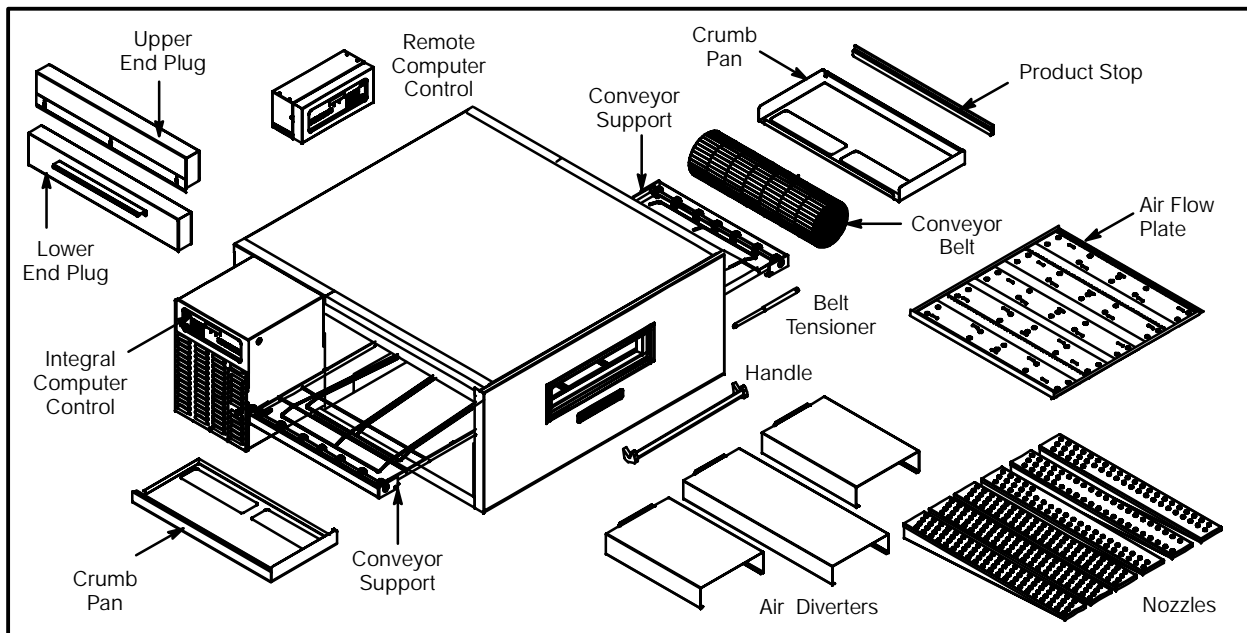


Figure 2



Installation

Delivery and Inspection

All Blodgett ovens are shipped in containers to prevent damage. Upon delivery of your new oven:

- D Inspect the shipping container for external damage. Any evidence of damage should be noted on the delivery receipt which must be signed by the driver.
- D Uncrate the oven and check for internal damage. Carriers will accept claims for concealed damage if notified within fifteen days of delivery and the shipping container is retained for inspection.

The Blodgett Oven Company cannot assume responsibility for loss or damage suffered in transit. The carrier assumed full responsibility for delivery in good order when the shipment was accepted. We are, however, prepared to assist you if filing a claim is necessary.

The oven can now be moved to the installation site. Check the following list with Figure 2 on page 3 to be sure all items were received.

Part Description	Qty.
Main oven body	1
Left conveyor support assembly	1
Right conveyor support assembly	1
Belt tensioners	2
Rolled wire conveyor belt	1
Crumb pans	2
Air flow plate	1**
Nozzles	6**
Packet containing: 1/2-13 alignment pins	1*
Air diverters	3**
Upper end plugs	2**
Lower end plugs	2**
Product stop	1

Part Description	Qty.
Packet containing: 12 3/8 x 16 hex head bolts	1*
Packet containing: Conveyor belt inner and outer master links	1*
Extra piece of wire conveyor belt	1*
Owner's manual	1*
Optional remote cooking computer	1
Optional computer cables	1
Packet containing: optional computer cable clamps	1

NOTE: * Item not shown.
** Shipped installed



Oven Location and Ventilation

LOCATION

The well planned and proper placement of your oven will result in long term operator convenience and satisfactory performance.

The following clearances must be maintained between the oven and any combustible or non-combustible construction.

MT3240G

- D Oven body sides – 18" (46 cm)
- D Oven body back – 2" (5 cm)

MT3240E

- D Oven body sides – 20" (51 cm)
- D Oven body back – 2" (5 cm)

The following clearances must be available for servicing.

All units

- D Oven body sides – 38" (97 cm)
- D Oven body back – 28" (71 cm)

NOTE: On gas models, routine servicing can usually be accomplished within the limited movement provided by the gas hose restraint. If the oven needs to be moved further from the wall, the gas must first be turned off and disconnected from the oven before removing the restraint. Reconnect the restraint after the oven has been returned to its regular position.

It is essential that an adequate air supply to the oven be maintained to provide a sufficient flow of combustion and ventilation air.

- D Place the oven in an area that is free of drafts.
- D Keep the oven area free and clear of all combustibles such as paper, cardboard, and flammable liquids and solvents.
- D Do not place the oven on a curb base or seal to a wall. This will restrict the flow of air and prevent proper ventilation to the blower motors. This condition must be corrected to prevent permanent damage to the oven.

VENTILATION

On gas models the necessity for a properly designed and installed ventilation system cannot be over emphasized. This system allows the oven to function properly while removing unwanted vapors and products of combustion from the operating area.

This oven must be vented with a properly designed mechanically driven exhaust hood. The hood should be sized to completely cover the equipment plus an overhang of at least 6" (15cm) on all sides not adjacent to a wall. The distance from the floor to the lower edge of the hood should not exceed 7' (2.1m). The capacity of the hood should be sized appropriately and provisions should be made for adequate makeup air.

U.S. and Canadian installations

Refer to your local ventilation codes. In the absence of local codes, refer to the National ventilation code titled, "Standard for the Installation of Equipment for the Removal of Smoke and Grease Laden Vapors from Commercial Cooking Equipment", NFPA-96-Latest Edition.

General export installations

Installation must conform with Local and National installation standards. Local installation codes and/or requirements may vary. If you have any questions regarding the proper installation and/or operation of your Blodgett oven, please contact your local distributor. If you do not have a local distributor, please call the Blodgett Oven Company at 0011-802-860-3700.



WARNING:

Failure to properly vent the oven can be hazardous to the health of the operator and may result in operational problems, unsatisfactory baking and possible damage to the equipment.

Damage sustained as a direct result of improper ventilation will not be covered by the Manufacturer's warranty.



Installation

Oven Assembly

OVEN SUPPORTS AND CASTERS

1. Bolt the supports to the oven with 3/8-16 hex head bolts.
NOTE: Install the locking casters on the front of the oven.
2. Carefully place the oven onto casters. Have several persons lift the oven off the pallet and set it onto the casters.
3. Engage the brakes on the front casters.

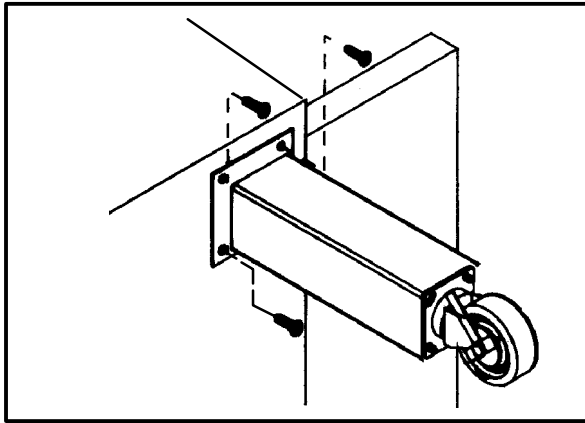


Figure 3

STACKING THE OVENS

1. Install the legs on the bottom unit.
2. Rest the top oven on its back.
3. Install the four oven alignment pins into the holes provided on the bottom of the oven.
NOTE: See Figure 4 for location of alignment pins.
4. Carefully lift the upper oven off the pallet and place it on the lower oven. Have several persons lift the oven off the pallet and set it onto the casters.
5. Locate alignment pins with holes in frame of the bottom oven.

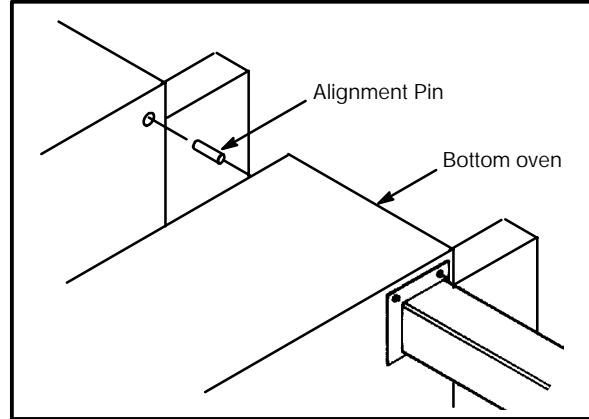


Figure 4

6. Install the stacking rails between the control boxes. One rail will be on the front of the control box and the other at the back of the box. Secure with screws at the top of the lower box.

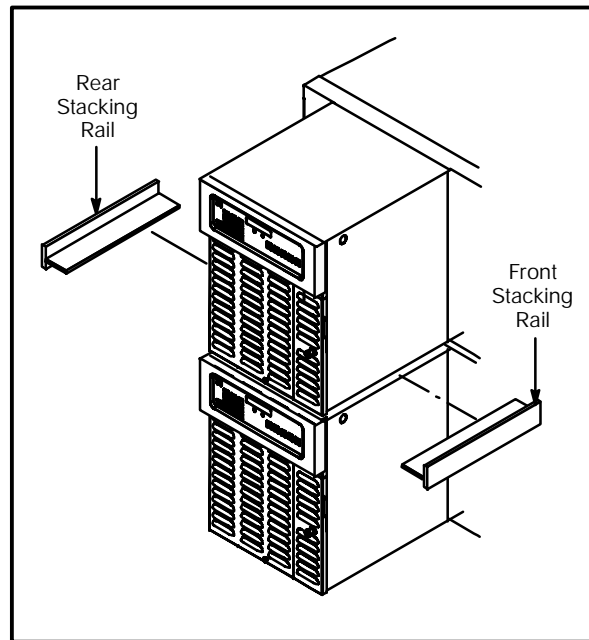


Figure 5



CONVEYOR BELT SUPPORT

1. Slide the left conveyor support (with sprocket on the end of the shaft) into the support tracks. The sprocket must be inside the control box after being pushed into the oven.



Figure 6

2. Install the drive chain around the drive motor and the sprocket on the conveyor support. Push the support back to tighten the chain.



Figure 7

3. Tighten the four bolts on the control box.
4. Slide the right conveyor support into the support tracks until it touches the left stop.



Installation

Oven Assembly

CONVEYOR BELT

Be sure to install the belt from left to right. The conveyor belt has loops on both sides. The loops must travel backwards on the conveyor support. See Figure 8.

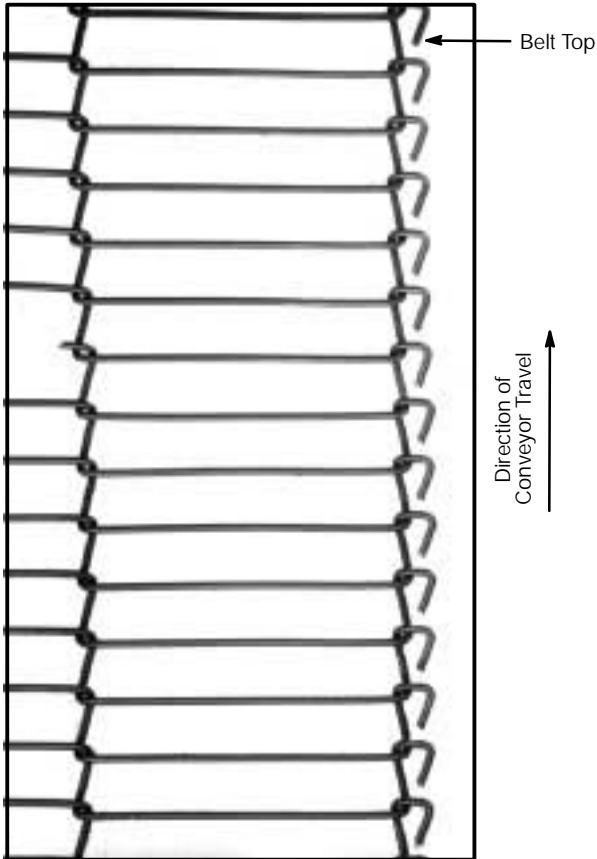


Figure 8

Unless specified otherwise, conveyor travel is factory set for left to right operation when facing the front of the oven. To change direction:

- D Reverse the polarity of the drive motor. Interchange the black and white motor leads at the D.C. controller located in the control panel.
- D Install the conveyor belt from the left side of the oven.

To thread the conveyor belt

1. Start from the right hand side of the oven, lower level first. Unroll the belt as shown in Figure 9, otherwise the belt will be upside down. Leave about one foot hanging out on the left side

NOTE: If belt travel is from left to right, start from the left side of the oven.

2. Take the remainder of the belt, loop it around the right shaft. Push through on the upper level.
3. The two ends of the belt should be approximately 6-9 inches past the left shaft on the upper level of the belt support. Right shaft if right to left travel is required.



Figure 9

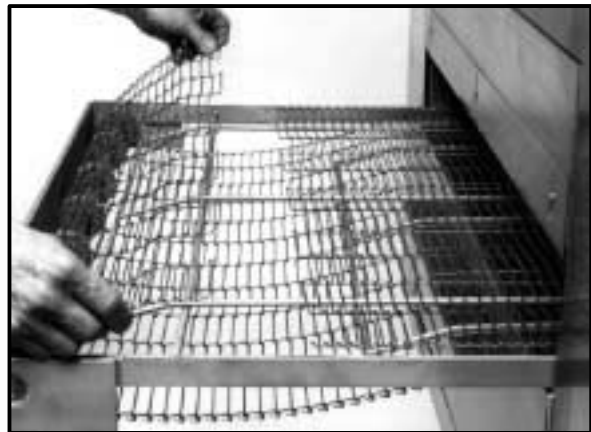


Figure 10

Oven Assembly

4. Install inner master links. See Figure 11 and Figure 12.

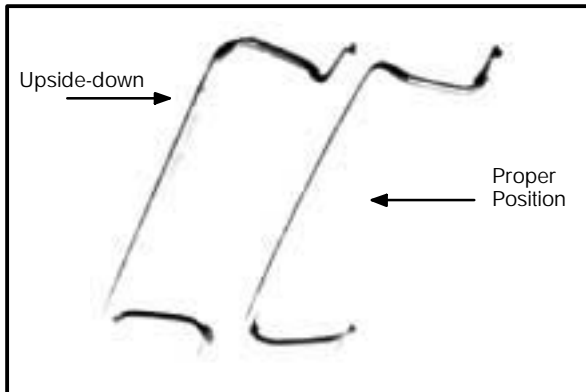


Figure 11



Figure 12

5. Install the outer master links. See Figure 13 and Figure 14

NOTE: The extra piece of wire belt can be used to make additional master links if the original links are lost or damaged.

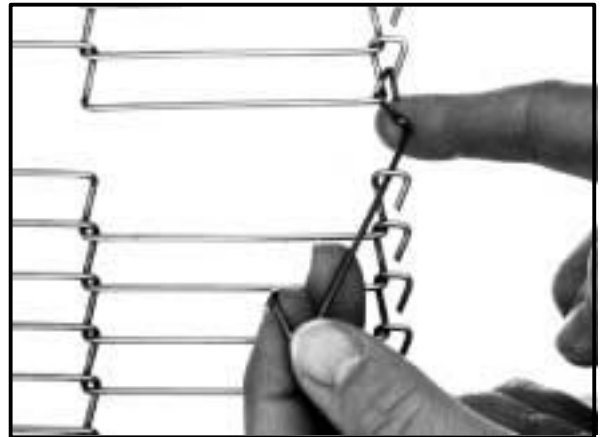


Figure 13

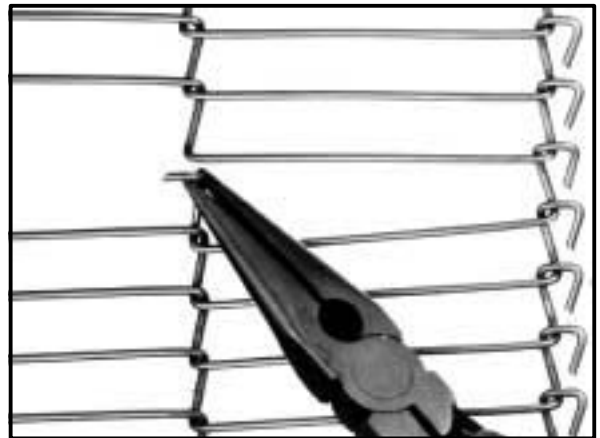


Figure 14



Installation

Oven Assembly

CONVEYOR BELT TENSIONER

NOTE: Each tensioner installs between the idle end of the conveyor (the side opposite the drive) and the lower end plug.

1. Compress the tensioner assembly spring by hand.
2. Engage the tensioner pin with the hole in the lower end plug.
3. Lift to engage the pin on the opposite side with the conveyor.



Figure 15

CRUMB PANS

1. Install crumb pans under each end of the conveyor.



Figure 16

OPTIONAL REMOTE COMPUTER CONTROL

1. Drill the mounting holes for the cooking computer support base.
2. Mount the support base and cable support bracket to the wall.
3. Stack the cooking computer(s) on the support base. Connect the cables at the rear of the controller.
4. Secure the cables to the cable clamp support bracket and to the rear of the oven using cable clamps and screws.

NOTE: DO NOT overtighten the cable clamps. Damage to the wires may occur causing the computer to fail.

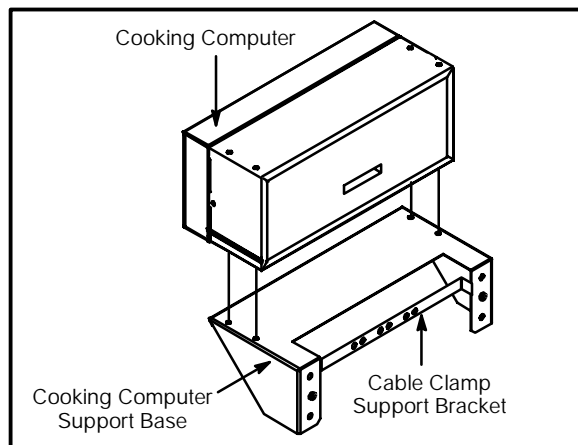


Figure 17

Utility Connections – Standards and Codes

THE INSTALLATION INSTRUCTIONS CONTAINED HEREIN ARE FOR THE USE OF QUALIFIED INSTALLATION AND SERVICE PERSONNEL ONLY. INSTALLATION OR SERVICE BY OTHER THAN QUALIFIED PERSONNEL MAY RESULT IN DAMAGE TO THE OVEN AND/OR INJURY TO THE OPERATOR.

Qualified installation personnel are individuals, a firm, a corporation, or a company which either in person or through a representative are engaged in, and responsible for:

- D the installation or replacement of gas piping and the connection, installation, repair or servicing of equipment.
- D the installation of electrical wiring from the electric meter, main control box or service outlet to the electric appliance.

Qualified installation personnel must be experienced in such work, familiar with all precautions required, and have complied with all requirements of state or local authorities having jurisdiction.

U.S. and Canadian installations

Installation must conform with local codes, or in the absence of local codes, with the *National Fuel Gas Code, NFPA54/ANSI Z223.1–Latest Edition*, the *Natural Gas Installation Code CAN/CGA-B149.1* or the *Propane Installation Code, CAN/CGA-B149.2* as applicable.

All ovens, when installed, must be electrically grounded in accordance with local codes, or in the absence of local codes, with the *National Electrical Code, ANSI/NFPA 70–Latest Edition* and/or *Canadian National Electric Code C22.2* as applicable.

General export installations

Installation must conform with Local and National installation standards. Local installation codes and/or requirements may vary. If you have any questions regarding the proper installation and/or operation of your Blodgett oven, please contact your local distributor. If you do not have a local distributor, please call the Blodgett Oven Company at 0011-802-860-3700.





Installation

Gas Connection

GAS PIPING

A properly sized gas supply system is essential for maximum oven performance. Piping should be sized to provide a supply of gas sufficient to meet the maximum demand of all appliances on the line without loss of pressure at the equipment.

Example:

NOTE: BTU values in the following example are for natural gas.

You purchase a MT3240G conveyor oven to add to your existing cook line.

- Add the BTU rating of your current appliances.

Pitco Fryer	120,000 BTU
6 Burner Range	60,000 BTU
Deck Oven	<u>50,000 BTU</u>
Total	230,000 BTU

- Add the BTU rating of the new oven to the total.

Previous Total	230,000 BTU
MT3240G	<u>100,000 BTU</u>
New Total	330,000 BTU

- Measure the distance from the gas meter to the cook line. This is the pipe length. Let's say the pipe length is 30' (9.14 m) and the pipe size is 1" (2.54 cm).

- Use the appropriate table to determine the total capacity of your current gas piping.
The total capacity for this example is 375,000 BTU. Since the total required gas pressure, 330,000 BTU is less than 375,000 BTU, the current gas piping will not have to be increased.

NOTE: The BTU capacities given in the tables are for straight pipe lengths only. Any elbows or other fittings will decrease pipe capacities. Contact your local gas supplier if you have any questions.

Maximum Capacity of Iron Pipe in Cubic Feet of Natural Gas Per Hour
(Pressure drop of 0.5 Inch W.C.)

Pipe Length (ft)	Nominal Size, Inches				
	3/4"	1"	1-1/4"	1-1/2"	2"
10	360	680	1400	2100	3950
20	250	465	950	1460	2750
30	200	375	770	1180	2200
40	170	320	660	990	1900
50	151	285	580	900	1680
60	138	260	530	810	1520
70	125	240	490	750	1400
80	118	220	460	690	1300
90	110	205	430	650	1220
100	103	195	400	620	1150

From the National Fuel Gas Code Part 10 Table 10-2

Maximum Capacity of Pipe in Thousands of BTU/hr of Undiluted P.P. Gas at 11" W.C.
(Pressure drop of 0.5 Inch W.C.)

Pipe Length (ft)	Outside Diameter, Inches		
	3/4"	1"	1-1/2"
10	608	1146	3525
20	418	788	2423
30	336	632	1946
40	287	541	1665
50	255	480	1476
60	231	435	1337
70	215	404	1241
80	198	372	1144
90	187	351	1079
100	175	330	1014

From the National Fuel Gas Code Part 10 Table 10-15



PRESSURE REGULATION AND TESTING

MT3240G ovens are rated at 100,000 BTU/Hr. (24 kW/Hr.) Each oven has been adjusted at the factory to operate with the type of gas specified on the rating plate attached to the left side of the control panel.

Each oven is supplied with a regulator to maintain the proper gas pressure. **The regulator is essential to the proper operation of the oven and should not be removed.** It is preset to provide the oven with 3.5" W.C. (0.87 kPa) for natural gas and 10.0" W.C. (2.50 kPa) for Propane while the flame is on. The regulator is located on top of the gas valve, between the manual shutoff and solenoid valves.

DO NOT INSTALL AN ADDITIONAL REGULATOR WHERE THE OVEN CONNECTS TO THE GAS SUPPLY UNLESS THE SUPPLY EXCEEDS THE MAXIMUM.

NOTE: The maximum gas supply pressure to the oven is 10.5" W.C. (2.61 kPa) for natural gas and 13" W.C. (3.2 kPa) for Propane gas. The minimum gas supply pressure to the oven is 4.5" W.C. (1.1 kPa) for natural gas and 11.0" W.C. (2.74 kPa) for Propane gas.

Installation must conform with local codes, or in the absence of local codes, with the *National Fuel Gas Code, NFPA54/ANSI Z223.1–Latest Edition, the Natural Gas Installation Code CAN/CGA-B149.1* or the *Propane Installation Code, CAN/CGA-B149.2* as applicable.

The oven and its individual shutoff valve must be disconnected from the gas supply piping system during any pressure testing of that system at test pressures in excess of 1/2 psig (3.45kPa).

The oven must be isolated from the gas supply piping system by closing its individual manual shutoff valve during any pressure testing of the gas piping system at test pressures equal or less than 1/2 psig (3.45kPa).



Installation

Gas Connection

GAS HOSE RESTRAINT

If the oven is mounted on casters, a commercial flexible connector with a minimum of 3/4" (1.9 cm) inside diameter must be used along with a quick connect device.

The restraint, supplied with the oven, must be used to limit the movement of the unit so that no strain is placed upon the flexible connector. The restraint should be fastened to the base frame of the oven as close to the flexible connector as possible. It should be short enough to prevent any strain on the connector. With the restraint fully stretched the connector should be easy to install and quick connect.

The restraint (ie: heavy gauge cable) should be attached without damaging the building. DO NOT use the gas piping or electrical conduit for the attachment of the permanent end of the restraint! Use anchor bolts in concrete or cement block. On wooden walls, drive hi test wood lag screws into the studs of the wall.



WARNING!!

If the restraint is disconnected for any reason it must be reconnected when the oven is returned to its original position.

U.S. and Canadian installations

The connector must comply with the *Standard for Connectors for Movable Gas Appliances, ANSI Z21.69* or *Connectors For Moveable Gas Appliances CAN/CGA-6.16* and a quick disconnect device that complies with the *Standard for Quick-Disconnect Devices for Use With Gas Fuel, ANSI Z21.41* or *Quick Disconnect For Use With Gas Fuel CAN 1-6.9*. Adequate means must be provided to limit the movement of the appliance without depending on the connection and the quick disconnect device or its associated piping.

A drip leg must be used at each appliance. Refer to *NFPA54/ANSI Z223.1 - Latest Edition* (National Fuel Gas Code) for proper drip leg installation.

General export installations

The restraint and quick connect must conform with Local and National installation standards. Local installation codes and/or requirements may vary. If you have any questions regarding the proper installation and/or operation of your Blodgett oven, please contact your local distributor. If you do not have a local distributor, please call the Blodgett Oven Company at 0011-802-860-3700.

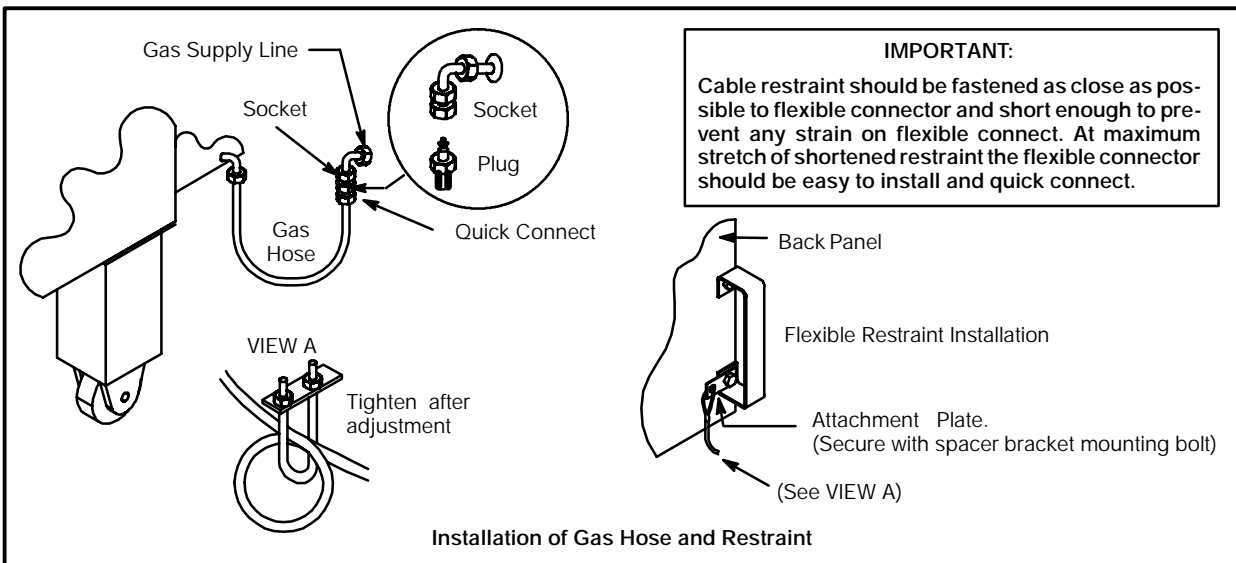


Figure 18

Electrical Connection

Before making any electrical connections to this unit, check that the power supply is adequate for the voltage, amperage, and phase requirements stated on the rating plate.

Wiring diagrams accompanies this manual and are attached inside the control box.

MT3240G

U.S. and Canadian installations

The MT3240G requires a 15 Amp, 60HZ, 1Φ, 208-240VAC, 4 wire service consisting of L1, L2, neutral and ground. Wiring from the power source to these units must be a minimum of #16 AWG CU. stranded wire or larger.

Single phase units MUST NOT be connected to the high leg of a three phase system. The high leg refers to a potential of 240 volts between one phase and neutral. The remaining two legs have a potential of 120 volts between each phase and neutral.

General export installations

The MT3240G requires a 15 Amp, 50Hz, 1Φ, 220-240 VAC, 3 wire service consisting of L1, neutral and ground. Use 90_C wire and size wire according to local codes.



WARNING!!

Incorrect single phase wiring may result in extensive damage to electrical components and fire in the control panel.

MT3240E

U.S. and Canadian installations

The MT3240E requires a 80 amp, 60 HZ, 3Φ, 208-240 VAC 4 wire service consisting of L1, L2, L3, and ground. Use 90_C wire and size to National Electric or local codes.

General export installations

The MT3240E requires a 56 amp, 50 HZ, 3Φ, 220-240 VAC, 4 wire service consisting of L1, L2, L3 and ground. Use 90_C wire and size to National Electric or local codes.

THE BLODGETT OVEN COMPANY CANNOT ASSUME RESPONSIBILITY FOR LOSS OR DAMAGE SUFFERED AS A RESULT OF IMPROPER INSTALLATION.

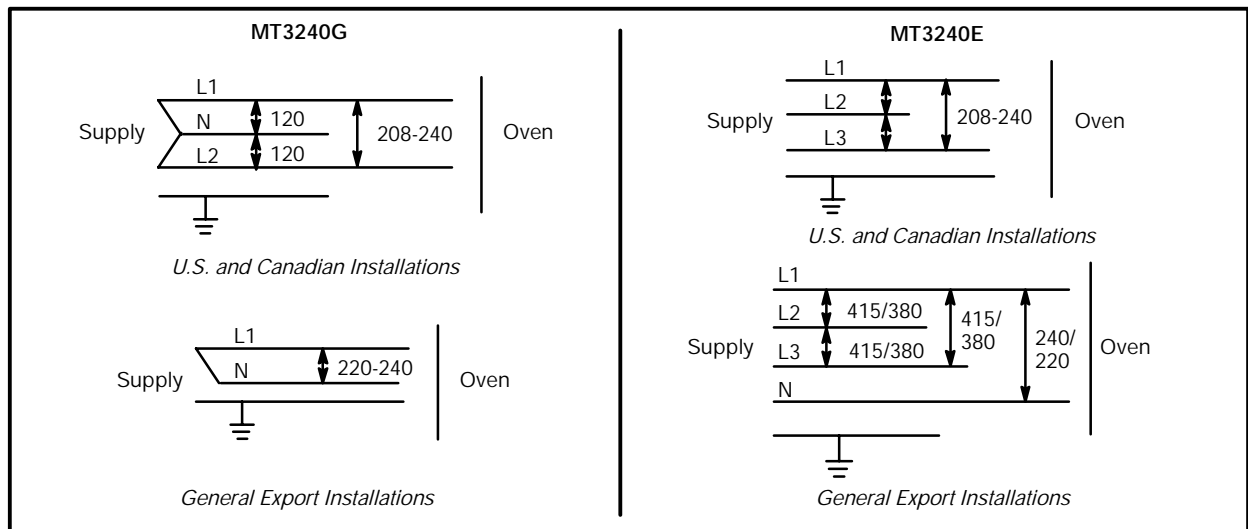


Figure 19



Operation

Safety Information

THE INFORMATION CONTAINED IN THIS SECTION IS PROVIDED FOR THE USE OF QUALIFIED OPERATING PERSONNEL. QUALIFIED OPERATING PERSONNEL ARE THOSE WHO HAVE CAREFULLY READ THE INFORMATION CONTAINED IN THIS MANUAL, ARE FAMILIAR WITH THE FUNCTIONS OF THE OVEN AND/OR HAVE HAD PREVIOUS EXPERIENCE WITH THE OPERATION OF THE EQUIPMENT DESCRIBED. ADHERENCE TO THE PROCEDURES RECOMMENDED HEREIN WILL ASSURE THE ACHIEVEMENT OF OPTIMUM PERFORMANCE AND LONG, TROUBLE-FREE SERVICE.

Please take the time to read the following safety and operating instructions. They are the key to the successful operation of your Blodgett conveyor oven.



SAFETY TIPS

For your safety read before operating

What to do if you smell gas:

- Ⓓ DO NOT try to light any appliance.
- Ⓓ DO NOT touch any electrical switches.
- Ⓓ Use an exterior phone to call your gas supplier immediately.
- Ⓓ If you cannot reach your gas supplier, call the fire department.

What to do in the event of a power failure:

- Ⓓ Turn all switches to off.
- Ⓓ DO NOT attempt to operate the oven until the power is restored.

NOTE: In the event of a shut-down of any kind, allow a five (5) minute shut off period before attempting to restart the oven.

What to do for emergency shut down:

- Ⓓ For ovens with remote control, the unit is equipped with an emergency shut down switch. Should you need to stop the belt, fans, or heat press the emergency switch. DO NOT use the emergency switch as a general on/off switch.

General safety tips:

- Ⓓ DO NOT use tools to turn off the gas control. If the gas cannot be turned off manually do not try to repair it. Call a qualified service technician.
- Ⓓ If the oven needs to be moved for any reason, the gas must be turned off and disconnected from the unit before removing the restraint cable. Reconnect the restraint after the oven has been returned to its original location.
- Ⓓ DO NOT remove the control box cover unless the oven is unplugged.

CONTROL DESCRIPTION

1. DIGITAL DISPLAY – displays the time, temperature and controller related information.
2. OVEN ON/OFF – controls power to the oven.
3. NUMERIC KEYS – used to enter numbers in the programming mode.
4. CLEAR KEY – clears the display if an error is made in the programming mode.
5. SET TEMP KEY – press to view or program the temperature setpoint.
6. ACT TEMP KEY – press to view the current oven temperature.
7. TIME KEY – press to view or program the cook time.
8. PROG/ENTER KEY – press to enter and exit the programming mode and lock in programmed settings.
9. STATUS LAMPS – when lit indicate the fan or burners are operating.

PROGRAMMING

Programming the Cook Time:

1. Press the PROGRAM/ENTER key (8).
2. Press the TIME key (7). The display reads *SET* \square *TIME-?*.
3. Use the NUMERIC keys (3) to enter the desired cook time. If an error is made, press the CLEAR key (4) and re-enter the number.
4. Press the PROGRAM/ENTER key (8) to store the new cook time in the computer's memory.

Programming the Temperature:

1. Press the PROGRAM/ENTER key (8).
2. Press the SET TEMP key (5). The display reads *SET* \square *TEMP-?*.
3. Use the NUMERIC keys (3) to enter the desired temperature set point. If an error is made, press the CLEAR key (4) and re-enter the number.
4. Press the PROGRAM/ENTER key (8) to store the new temperature setpoint in the computer's memory.

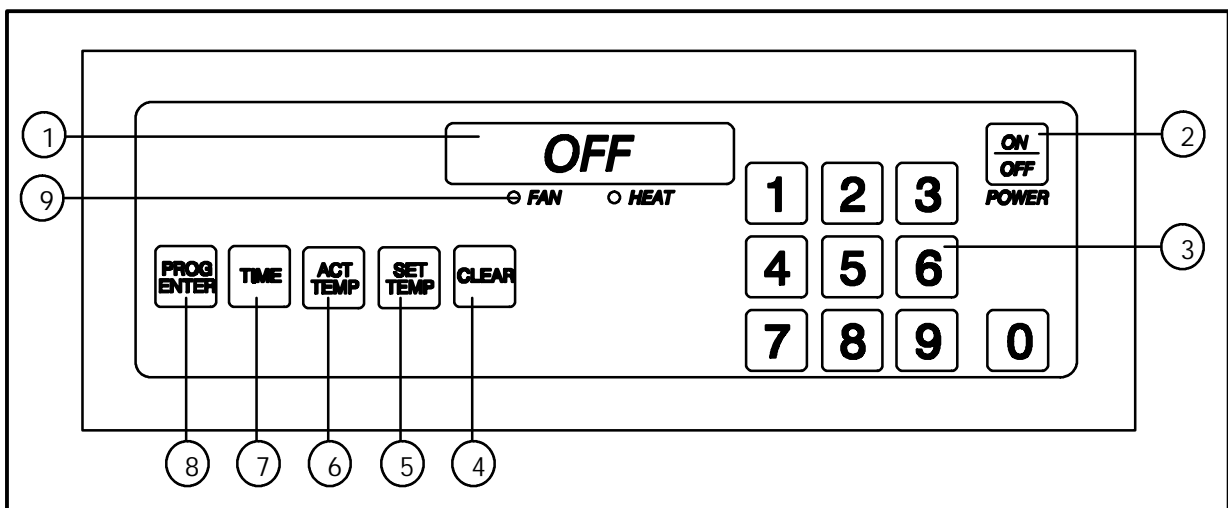


Figure 20



Operation

Cooking Computer

OPERATION

To turn the oven on:

1. Turn the manual gas valve to ON. (Gas models only)
2. Press and hold the ON/OFF key (2). The display reads *OFF* when the oven is idle.
3. The STATUS LAMPS (9) light. The fans begin to run. The heat rises to the temperature setting stored in the computer's memory. The conveyor belt begins to travel at the speed stored in memory.
4. The display flashes *WAIT* _D *LOW* _D *SET* _D *TIME* _D *mmss* until the oven reaches the programmed bake temperature.
5. The display reads *READY* and the HEAT lamp (9) goes out. The oven is now ready to accept product.

To view the cook time setting:

1. Press the TIME key (7). The LED on the key lights and the display flashes *SET* _D *TIME* _D *mmss*.

To display the actual oven temperature:

1. Press the ACT TEMP key (6). The LED on the key lights and the display flashes *ACTUAL* _D *nnn_F*.

To view the temperature set point:

1. Press the SET TEMP key (5). The LED on the key lights and the display flashes *SET* _D *TEMP* _D *nnn_F*.

To turn the oven off:

1. Press the ON/OFF key (2). The oven is equipped with a cool-down feature for motor shaft and bearing protection. This enables the blower motor(s) to run regardless of the controller status. The blower(s) continue to run until the oven cools to a safe temperature.

DISPLAY INFORMATION

WAIT _D **LOW** – the present oven temperature is lower than the set point temperature. When the oven reaches the set point temperature the display changes to *READY*.

READY – the oven is ready to accept product.

SET _D **TIME** _D *mmss* – the current cook time setting.

HIGH _D **TEMP** – the temperature is above the set point. Wait until the display reads ready before loading product.

HIGH _D **TEMP** _D **LIMIT** – the oven temperature exceeds the high limit. The Over Temperature Alarm buzzer sounds. Shut the oven off and wait for the unit to cool down.

HIGH _D **TEMP** _D **PANEL** – the control area reaches an excessive temperature. Shut the oven off and wait for the unit to cool down.

PROBE _D **OPEN** _D **PROBE** _D **SHORT** – the temperature sensor has failed. The Alarm buzzer sounds. Shut the oven off and contact a service representative.

Oven Adjustments for Cooking

The combination of time, temperature, and air flow are important for achieving quality results from your Blodgett conveyor oven. Use the following guidelines to adjust the time, temperature and air flow of your unit. The oven will hold these settings and requires no further adjustment until a different product is cooked. If you have questions regarding adjustments for your product, contact your local Blodgett sales representative for assistance.

NOTE: For pizza, oven adjustments do not need to be changed based on the size or quantity of toppings on the pie. The settings may need to be adjusted when switching from one type of pizza to another. (i.e., thin crust to pan style)

TEMPERATURE

The internal temperature of your product should be taken as soon as the product completely exits the cooking chamber. A multiple topping pizza, will be cooked if the internal temperature is over 160-165_F (71-74_C). For a single topping, such as cheese, the temperature should be greater than 170-180_F (77-82_C).

CONVEYOR SPEED VS. TEMPERATURE

Typically as the temperature increases, the time decreases. Conversely, as the temperature decreases, the time increases. To find a good bake time and temperature, one should remain constant. For example, if the temperature is 480-F (248_C) and the belt speed is 7 minutes 30 seconds, but the pizza is not as brown as desired, keep the time the same and increase the temperature to 500-F (260_C).

AIR FLOW ADJUSTMENTS

Since different products can be cooked in this oven, a special setting for the air flow above and below the conveyor must be made for your product. Unless specified, Blodgett conveyor ovens are shipped from the factory with partial air flow above and full air flow below the conveyor. Most of the upper air flow holes are blocked-off via steel strips which stop the heated air from reaching the product. These strips, or block-off plates, can easily be moved to regulate the air flow for your particular needs.

The following examples illustrate air flow regulation. Keep in mind that the first half of the oven is used for the initial baking of the product and the last half is used for browning.

EXAMPLE: A good bake time and temperature has been established, but more browning on top of the pizza is desired. Move one of the block-off plates above the belt to open more of the holes toward the exit end of the oven.

EXAMPLE: The bottom of the pizza is golden brown, but the top is a little too dark. Close off some of the air flow from the top at the exit end of the oven.

EXAMPLE: The top of the pie is too dark, but either the bottom is not done, the center of the pie is doughy, or the ingredients are not fully cooked. Open some of the rows of holes above the conveyor at the entry half of the oven and close off the holes at the exit.



WARNING!!

If the oven needs to be moved, the gas must be turned off and disconnected from the unit before removing the restraint. Reconnect the restraint after the oven has been returned to its original location.



Maintenance

Cleaning



WARNING!!

Always disconnect the power supply before cleaning or servicing the oven.



WARNING!!

If the oven needs to be moved, the gas must be turned off and disconnected from the unit before removing the restraint. Reconnect the restraint after the oven has been returned to its original location.

Follow this recommended cleaning schedule for proper oven performance.

Daily:

1. Clean the conveyor belt using a wire brush. Allow any foreign material to drop into the crumb pans.
2. Empty and clean the crumb pans.
3. Make sure cooling fans are operating.

Every Three Months:

1. Brush and clean the guards of the cooling fans.

Every Six Months:

1. Unplug the oven. Disconnect the gas connections.
2. Remove the crumb pans, product stop and belt tensioners from the ends of the conveyor.
3. Remove both upper end plugs. Loosen the wing nuts on the bottom of each end plug.

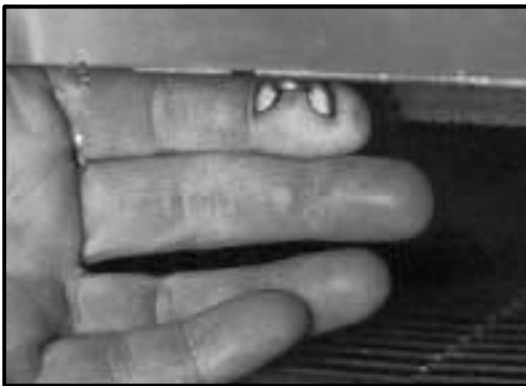


Figure 21

4. Remove both lower end plugs.
5. Remove the conveyor belt as follows:
 - a.) Use needle-nose pliers to remove the conveyor belt master links.
 - b.) Slide the belt out from one end. Be sure to roll the belt as shown in Figure 22. Otherwise the belt will be upside down when re-threading.



Figure 22

6. Remove the non-drive side conveyor support.
7. Remove the drive side conveyor support as follows:
 - a.) Remove the 1/4" hex bolt and nut (inside control box), that fastens the drive side conveyor support to the control box. See Figure 23.
 - b.) Remove the drive chain from the sprocket by pushing the conveyor assembly in to loosen the chain. If unable to push assembly, loosen motor mounts.
 - c.) Slide the conveyor support out of the oven.



Cleaning



Figure 23

8. Using the handle supplied with the oven, pull out the air plate.



Figure 24

9. Remove the nozzles as follows:
 - a.) Loosen the bolts from the lower nozzle support.



Figure 25

- b.) Lift the front end of each nozzle off the pin on the nozzle support. Pull the nozzle toward the front of the oven and remove.



Figure 26

10. Slide the three return air diverters out of the oven.
11. Soak the conveyor in a hot water/detergent mix.
12. Clean the crumb pans, return air diverters, nozzles, air plates, and end plugs with a hot water/detergent mix. Rinse with clean water. For difficult cleaning use a heavy duty degreaser or oven cleaner that is safe for aluminum.
13. Clean the oven interior with an all purpose cleaner or an oven cleaner that is safe for aluminum.
14. Move the oven to clean underneath. DO NOT damage the gas hose or electrical cords when moving.
15. Reverse steps 1 – 10 to reassemble.

NOTE: DO NOT immerse the end plugs. They contain insulation.

Slide the return air diverters into the oven cavity. Push until the diverters line up with the rectangular cutout at the rear of the oven. The long diverter goes in the middle. The short diverters go on the outsides.

Be sure the nozzles are installed correctly. Refer to Figure 27.



Maintenance

Cleaning

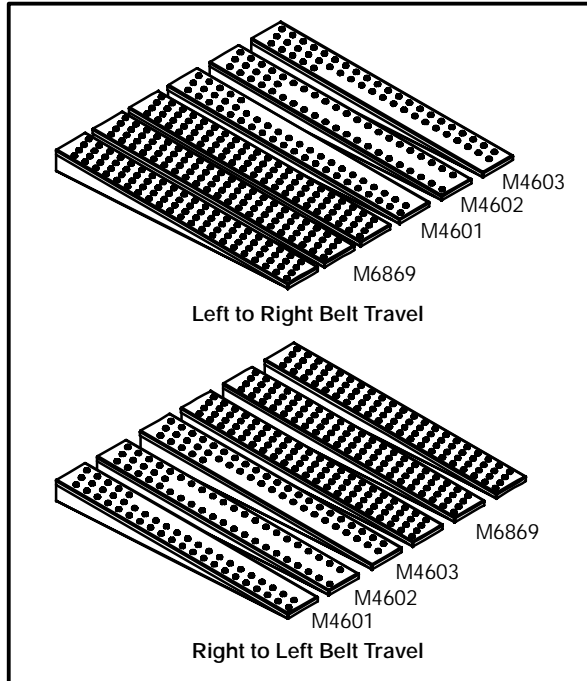


Figure 27

Every 12 Months:

A factory authorized service person should:

1. Open and clean the inside of the control panel.
2. Check and tighten all electrical connections.
3. Check DC gear motor brushes for wear.
4. Check conveyor drive chain for cleanliness and proper lubrication.

If maintenance is required contact your local service company, a factory representative or the Blodgett Oven company.



WARNING!!

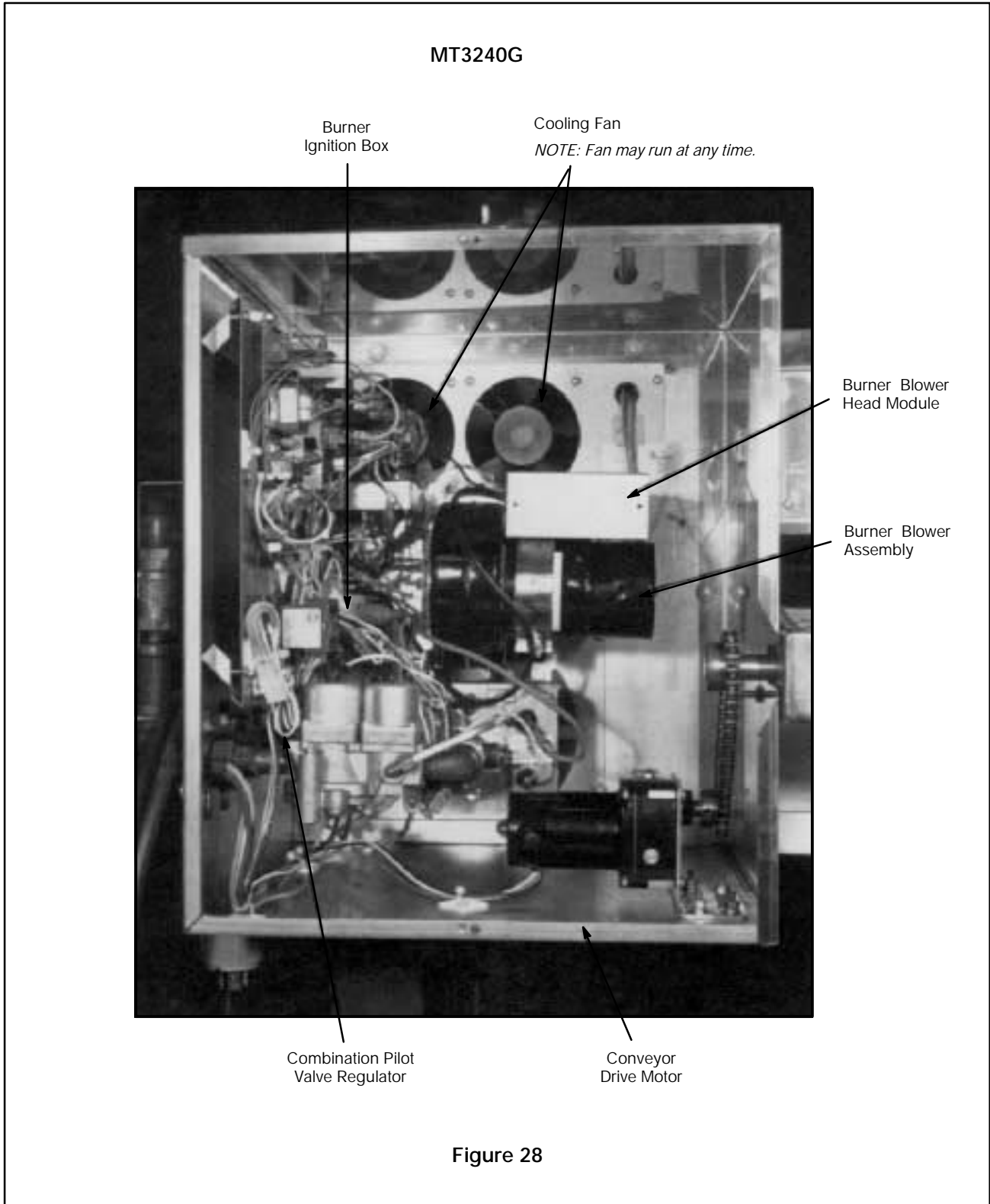
Always disconnect the power supply before cleaning or servicing the oven.



WARNING!!

If the oven needs to be moved, the gas must be turned off and disconnected from the unit before removing the restraint. Reconnect the restraint after the oven has been returned to its original location.

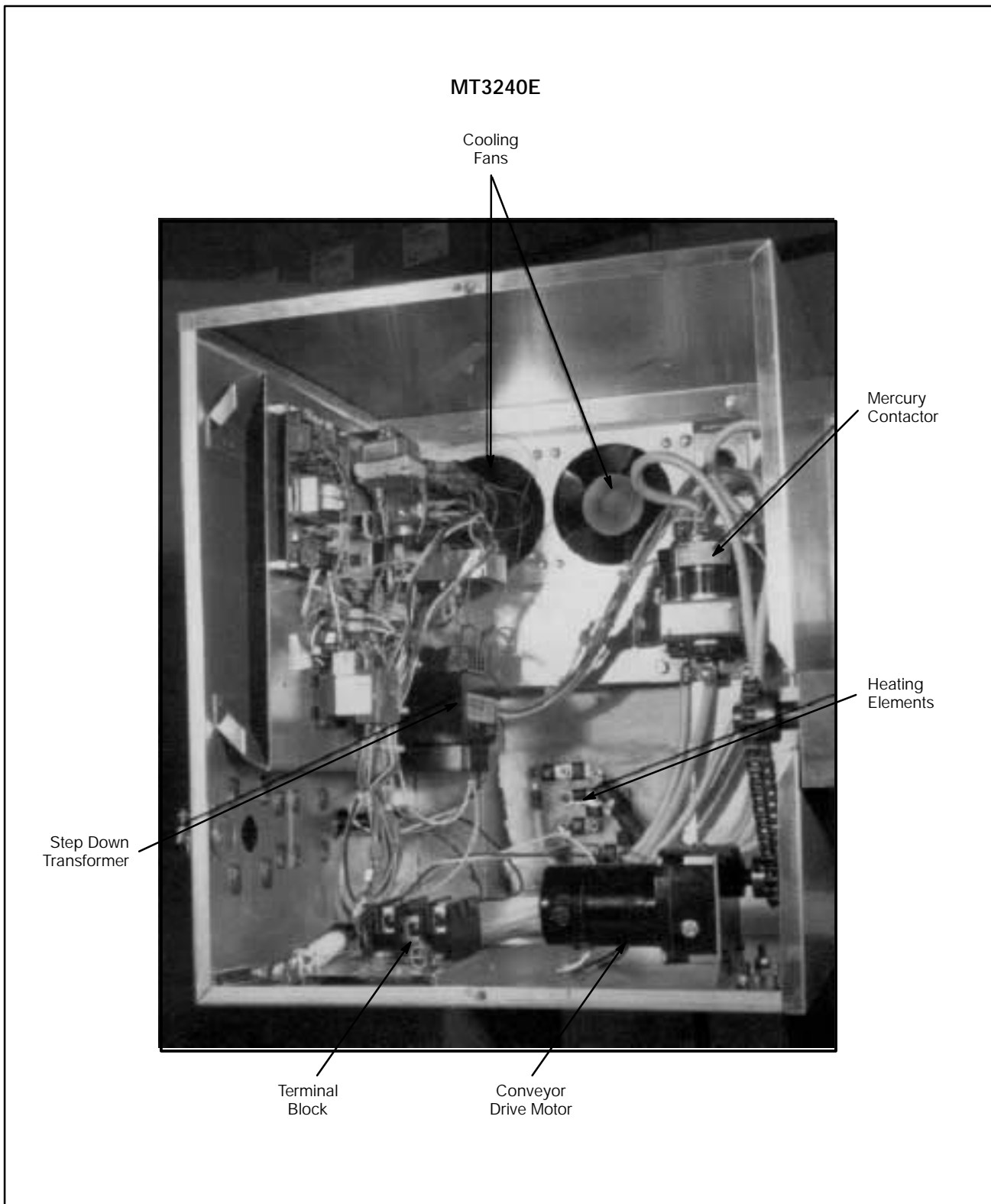
Box Component Locations





Maintenance

Control Box Component Locations



Troubleshooting Guide

POSSIBLE CAUSE(S)	SUGGESTED REMEDY
SYMPTOM: Blower motors not running	
<ul style="list-style-type: none"> § Computer control turned OFF § No power to oven § Motor circuit breaker open § Control circuit breaker open § Motor(s) burned out 	<ul style="list-style-type: none"> § Press ON/OFF key § Replace main fuses or reset breakers § Reset breaker § Reset breaker § *
SYMPTOM: Computer control displays: High Temp limit, Probe Open, or Probe Short	
<ul style="list-style-type: none"> § Control not properly installed § Internal problem with control § Loose thermocouple connections at control § Short in thermocouple 	<ul style="list-style-type: none"> § Reinstall § * § * § *
SYMPTOM: Burner will not fire	
<ul style="list-style-type: none"> § Control turned OFF § Blower motor(s) not running § Control not set above ambient temperature § Manual gas valve closed § Cooling fan not working properly § Defective control 	<ul style="list-style-type: none"> § Press ON/OFF key § Blower motor(s) must be running. Check circuit breakers § Set to desired temperature § Open valve § * § *
SYMPTOM: Conveyor belt will not run	
<ul style="list-style-type: none"> § Conveyor control switch in OFF position § Control circuit fuse blown § Belt hooked on something in oven § Defective conveyor drive motor § Defective conveyor drive motor controller 	<ul style="list-style-type: none"> § Turn to ON position § Replace fuse § Turn oven OFF. Unhook and resolve problem § * § *
<p>*Denotes remedy is a difficult operation and should be performed by qualified personnel only. It is recommended, however, that All repairs and/or adjustments be done by your local Blodgett service agency and not by the owner/operator. Blodgett cannot assume responsibility for damage as a result of servicing done by unqualified personnel.</p>	



WARNING!!

Always disconnect the power supply before cleaning or servicing the oven.



Maintenance

Troubleshooting Guide

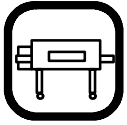
POSSIBLE CAUSE(S)	SUGGESTED REMEDY
SYMPTOM: Oven will not reach desired temperature	
<ul style="list-style-type: none"> § Gas pressure to oven is too low § Heat control switch OFF § No power to oven § Blower motor(s) not running § Defective heating element relay (Electric ovens) § Shorted thermocouple § Heating element(s) burned out (Electric ovens) § Temperature hi-limit switch out of adjustment or defective § Internal problem with control § Cooling blower not working properly 	<ul style="list-style-type: none"> § Contact local gas representatives § Turn to ON position § Replace main fuses § Check control switch and/or fuses § * § * § * § * § * § *
SYMPTOM: Burner operates sporadically	
§ Air pressure switch out of adjustment	§ *
<small>*Denotes remedy is a difficult operation and should be performed by qualified personnel only. It is recommended, however, that All repairs and/or adjustments be done by your local Blodgett service agency and not by the owner/operator. Blodgett cannot assume responsibility for damage as a result of servicing done by unqualified personnel.</small>	



WARNING!!

Always disconnect the power supply before cleaning or servicing the oven.

MT3240E ET MT3240G
Fours à Bande Transporteuse
Manuel D'Installation – Fonctionnement – Entretien



Introduction

Description et Spécifications du Four

La cuisson dans un four à bande transporteuse diffère de la cuisson dans un four de cuisine ordinaire en ce sens que de l'air chaud circule en permanence autour de l'aliment cuit, sous l'effet d'un ventilateur enfermé dans une enceinte spéciale. Le mouvement continu de l'air, en éliminant constamment la couche d'air froid qui se formerait autrement autour de l'aliment, permet la pénétration plus rapide de la chaleur. Il en résulte un aliment de qualité comparable à ceux préparés dans un four ordinaire, mais cuit à température inférieure et en moins de temps.

Le four à bande transporteuse représente ce qu'il y a de plus perfectionné en termes de rendement énergétique, de fiabilité et de facilité d'emploi. Comme la source thermique se trouve à l'intérieur même de la chambre de cuisson, d'importantes économies d'énergie peuvent être réalisées en même temps que d'excellents résultats de cuisson.

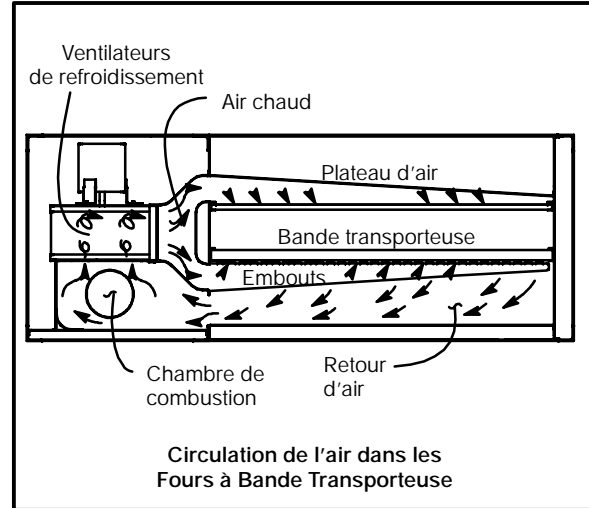
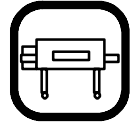


Figure 29

SPÉCIFICATIONS	MT3240G	MT3240E
Largeur de la bande	81 cm	81 cm
Longueur de la zone de cuisson	102 cm	102 cm
Surface de cuisson	0.83 m ²	0.83 m ²
Dimensions (Appareil simple)	183 cm x 142 cm x 51 cm	183 cm x 142 cm x 51 cm
Puissance maximum à l'entrée	100,000 BTU/Hr. (24 kW/Hr.)	24 kW/Hr.
Température de fonctionnement maximum	315_C	315_C
Alimentation	120/208-240VAC, 1Φ, 60 Hz, 5 ampères, 3 fils	208VAC, 3Φ, 60Hz, 67 amp., 3 fils 240VAC, 3Φ, 60Hz, 58 amp., 3 fils
Alimentation de gaz	Gaz Naturel: 4.5" W.C. min/10.5" W.C. max Propane: 11.0" W.C. min/13.0" W.C. max	Aucune
Dégagement du produit	6.4 cm	6.4 cm
Branchement d'alimentation en gaz	1.9 cm	Aucune



Bande transporteuse – bande (transporteuse) articulée en acier inoxydable qui transporte les produits dans le four.

Maillons de liaison de la bande transporteuse – facilitent l'enlèvement de la bande transporteuse pour des besoins d'entretien et de nettoyage. Sont identifiés en situant les doubles espaces entre les maillons standard de la bande.

Ensemble de support de la bande transporteuse (côtés d'entraînement et de brin mené) – situé aux deux extrémités de la plateforme du four. Le support du côté de l'entraînement entraîne la bande transporteuse.

Tendeurs de la bande transporteuse – maintiennent la tension à l'extrémité de la bande transporteuse.

Boîtier de commande – contient les câblages électriques, ventilateur de refroidissement ou volets, moteur d'entraînement et chaîne d'entraînement.

Moteur d'entraînement – fournit la puissance qui actionne la bande transporteuse.

Chaîne d'entraînement – connecte le pignon du moteur d'entraînement au pignon de support de la bande transporteuse du côté de l'entraînement.

Chambre de cuisson du four – pour cuire, les produits sur la bande transporteuse, traversent la chambre de cuisson.

Buses – distribuent l'air chaud dans la chambre de cuisson. Situés à l'intérieur du four, sous la bande transporteuse.

Étrier de support de buse – maintient l'avant des buses en position. Situé à l'intérieur du four.

Déviateurs de l'air en retour (2, côté de l'entraînement et côté mené) – dévient l'air de retour du haut vers le bas à l'avant de la chambre de cuisson. Assurent une cuisson régulière dans tout le four. Situés à l'intérieur du four, au-dessous des buses.

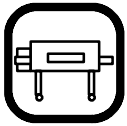
Arrêtoir supérieur – aide à conserver la chaleur dans la chambre de cuisson. Situés de chaque côté au-dessus de la bande transporteuse.

Arrêtoir inférieur – aide à conserver la chaleur dans la chambre de cuisson. Situés de chaque côté au-dessous de la bande transporteuse.

Plateau à miettes – récupère les miettes provenant des produits sur la bande transporteuse. Situé sous la bande transporteuse des deux côtés de la chambre de cuisson.

Plaques du débit d'air – distribuent l'air chaud en haut de la chambre de cuisson. Situées à l'intérieur du four en haut de la chambre de cuisson.

Interrupteur d'arrêt d'urgence – permet, en cas d'urgence, à l'utilisateur d'arrêter le four et la bande transporteuse. Ne pas utiliser pour l'arrêt normal.



Introduction

Éléments du Four

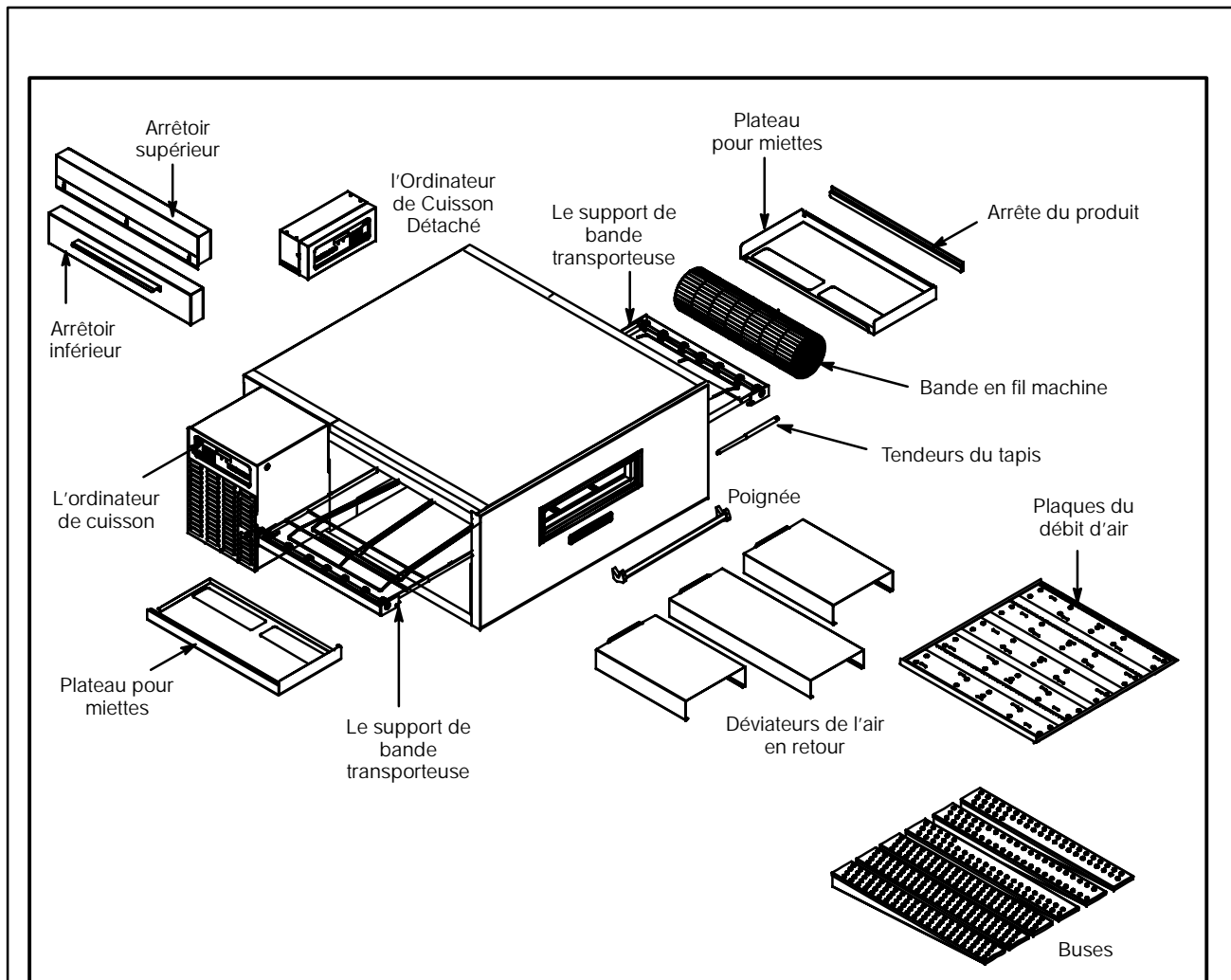


Figure 30



Tous les fours sont expédiés en conteneurs. A la réception de votre four Blodgett vous devez:

- D Vérifier que les emballages ne sont pas abimés. Toute défection dans l'emballage doit être notée sur l'accusé de réception de la marchandise; celui-ci doit être signé par le chauffeur.
- D Sortir le four de son emballage et vérifier son bon état. Les transporteurs n'acceptent les réclamations et plaintes que si elles sont faites dans les quinze jours qui suivent la livraison et si l'emballage a été conservé afin d'être inspecté.

Description des Pièces	Qté.
Partie principale du four	1
Assemblage de support gauche de bande transporteuse	1
Assemblage de support droit de bande transporteuse	1
Tendeurs du tapis	2
Bande en fil machine	1
Plateau pour miettes	2
Le plateau de circulation d'air	1**
Buses	6**
Divertisseur d'air	3**
Arrêteoir supérieur	2**
Arrêteoir inférieur	2**
Arrête du produit	1

La Blodgett Oven Co., n'est pas responsable des dégâts subis pendant le transport. Le transporteur est seul responsable de la livraison du matériel en bon état lorsque l'expédition a été acceptée. Néanmoins, nous sommes à votre disposition pour vous aider à composer votre dossier de réclamation.

Le four peut alors être déplacé jusqu'à son lieu d'installation. Comparez la liste ci-dessous à la Figure 2, page 3 pour vous assurer que vous avez reçu toutes les pièces.

Description des Pièces	Qté.
Packet containing: 1/2-13 alignment pins	1*
Paquet contenant: des boulons de 3/8 po.-16 (pour supports de four)	1*
Paquet contenant: les liaisons principales internes et externes de la bande transporteuse	1*
Longueur supplémentaire de bande transporteuse métallique	1*
Manuel d'utilisation	1*
L'ordinateur de cuisson détaché	1
Paquet contenant: les câbles d'ordinateur de cuisson détaché	1
Paquet contenant: les crampon du câble l'ordinateur de cuisson détaché	1

NOTE: * Article non illustré.

** Livré installé



Installation

Implantation et aération du four

IMPLANTATION DU FOUR

L'implantation correcte et bien étudiée du four sera à l'avantage à long terme de l'opérateur et permettra d'obtenir un rendement satisfaisant.

Les espaces de dégagement ci-dessous doivent être prévus entre le four et toute construction combustible ou non.

MT3240G

- D Côté du four – 46 cm
- D Arrière du four – 5 cm

MT3240E

- D Côté du four – 51 cm
- D Arrière du four – 5 cm

Les espaces de dégagement ci-dessous doivent être possible pour permettre l'entretien.

- D Côté du four – 97 cm
- D Arrière du four – 71 cm

NOTE: L'entretien régulier peut en général être effectué dans les limites du déplacement que permet la chaîne de retenue. Si le four doit être plus écarté du mur, l'alimentation en gaz doit être coupée et la canalisation débranchée du four avant d'enlever la chaîne. Celle-ci doit être utilisée pour empêcher d'exercer toute contrainte sur le coupleur de gaz.

Il est essentiel qu'une circulation d'air adéquate au four soit maintenue pour apporter un débit d'air de combustion et de ventilation suffisant.

- D L'emplacement ne doit pas avoir de courants d'air.
- D Maintenez la zone du four libre et dégagée de tous matériaux combustibles tels que le papier, le carton, ainsi que les liquides et solvants inflammables.
- D NE placez PAS le four sur un socle à bordure. L'une comme l'autre de ces installations gênera la circulation d'air vers le compartiment de combustion et empêchera une bonne ventilation des moteurs de soufflantes. Une telle situation doit être rectifiée si l'on veut empêcher que le four ne soit définitivement endommagé.

AÉRATION DU FOUR

On ne saurait trop insister sur la nécessité de prévoir un système d'aération bien conçu. Un tel système permettra au four de bien fonctionner, tout en évacuant les vapeurs et produits de combustion gênants de la zone d'utilisation.

L'extraction des fumées de combustion de l'appareil doit se faire au moyen d'un groupe d'aspiration à commande mécanique. Celui-ci doit être dimensionné de façon à ce qu'il recouvre entièrement l'appareil, tout en dépassant d'au moins 15 cm de tous les côtés qui ne sont pas contigus à un mur. La distance entre le sol et le bord inférieur du groupe d'aspiration ne doit pas dépasser 2,10 mètres. Le groupe doit avoir la capacité qui convient et un appoint d'air adéquat doit être prévu.

Se reporter aux codes locaux de la ventilation. En l'absence de codes locaux, se reporter au code national de la ventilation intitulé "Normes pour l'installation d'équipements pour l'enlèvement des fumées et vapeurs grasses provenant d'équipements commerciaux pour la cuisine", NFPA-96 - Édition la plus récente.



AVERTISSEMENT!!

Une mauvaise extraction des fumées de combustion du four peut mettre en danger la santé de l'opérateur. Elle aura également pour résultats des problèmes de fonctionnement, une cuisson laissant à désirer et de possibles dégâts subis par le matériel.

Les dégâts résultant directement d'une aération inadéquate ne seront pas couverts par la garantie offerte par le fabricant.



LES SUPPORTS DU FOUR ET LES ROULETTES

1. Boulonnez les supports du four à celui-ci au moyen de boulons de 3/8-16 à tête plate.
NOTE: Les roulettes freinées doivent être tournées vers le devant du four
2. Faites reposer avec précaution le four sur les roulettes. Il sera nécessaire de le faire soulever de la palette et de le faire reposer sur les roulettes par plusieurs personnes.
3. Serrez les freins des roulettes avant.

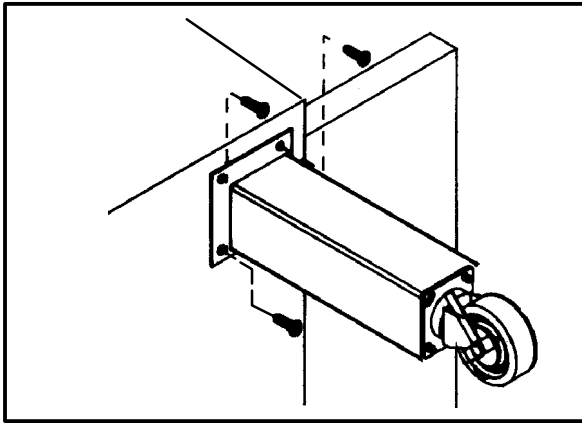


Figure 31

SUPERPOSITION DES FOURS

1. Installer les pieds sur l'unité du bas.
2. Coucher le four du haut sur le dos.
3. Installer les quatre broches d'alignement du four dans les trous prévus au fond du four.
NOTE: Voir la Figure 32 pour l'emplacement des broches d'alignement.
4. Avec précautions, soulever le four supérieur hors de la palette et le placer sur le four inférieur. Il faut plusieurs personnes pour retirer le four de la palette et le placer sur les roulettes.
5. Situer les broches d'alignement avec les trous dans le bâti du four du bas.

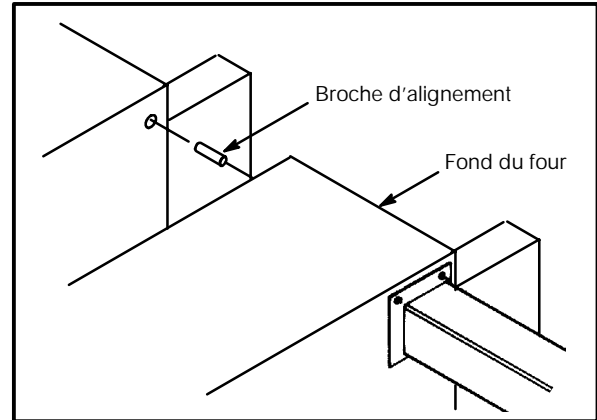


Figure 32

6. Installer les rails de superposition entre les boîtiers de contrôle. Un rail sera à l'avant du boîtier de contrôle et l'autre à l'arrière. Fixer avec des vis sur le haut du boîtier inférieur.

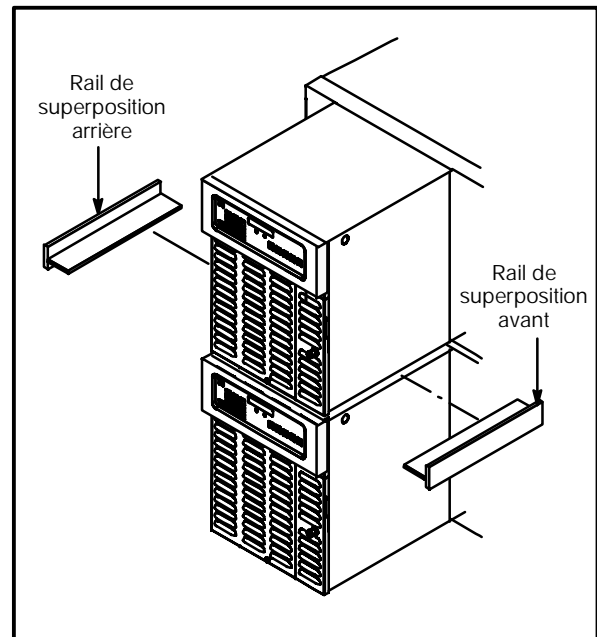


Figure 33



Installation

Montage du Four

SUPPORT DE BANDE TRANSPORTEUSE

1. Faites glisser le support de bande transporteuse (avec le pignon à l'extrémité de l'arbre) dans les glissières d'appui. Le pignon doit se trouver à l'intérieur du boîtier de commande après avoir été enfoncé dans le four.



Figure 34

2. Installez la chaîne d'entraînement autour du moteur d'entraînement, puis autour du pignon du support de bande transporteuse. Poussez le bande transporteuse en arrière pour tendre la chaîne.



Figure 35

3. Serrer les quatre boulons sur le boîtier de commande.
4. Faites glisser le support droit de bande transporteuse dans les glissières d'appui jusqu'à ce qu'il touche le support gauche.



Montage du Four

LA BANDE TRANSPORTEUSE MÉTALLIQUE

S'assurer d'installer la bande transporteuse de la gauche vers la droite. La bande transporteuse a des boucles sur les deux côtés. Les boucles doivent se déplacer en marche arrière sur le support de la bande transporteuse. Voir Figure 36.

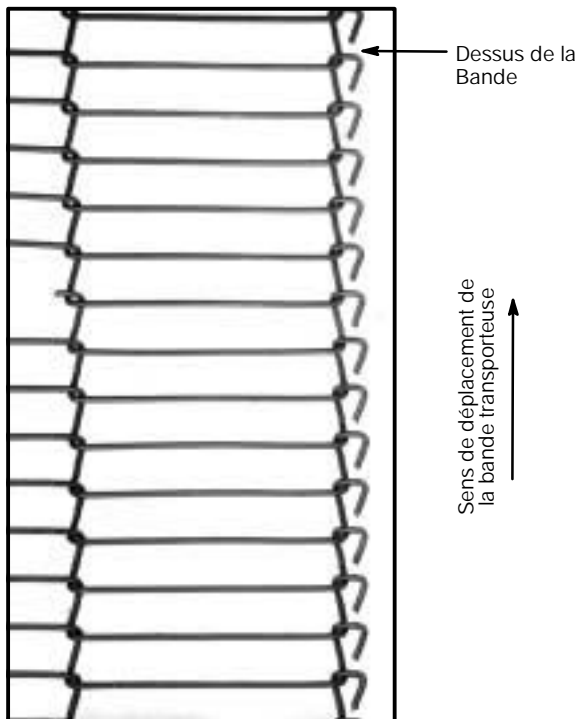


Figure 36

Sauf indication contraire, le déplacement de la bande transporteuse est réglé à l'usine pour se faire de gauche à droite lorsqu'on regarde le devant du four. Si un changement de sens s'avère nécessaire:

- D La polarité du moteur d'entraînement doit être inversée. Il suffit d'intervertir les fils noir et blanc du moteur au niveau du régulateur de courant continu, qui se trouve dans le panneau de commande.
- D La bande transporteuse doit d'autre part être installée depuis la gauche du four au lieu de la droite.

Pour installer la bande transporteuse

1. Insérez la bande transporteuse métallique en partant du côté droit du four, en commençant par le bas. Déroulez la bande comme indiqué, Figure 37. Sinon, elle sera à l'envers. Laissez-en pendre 30 cm environ du côté gauche

NOTE: Si la courroie se déplace de la gauche vers la droite, partir du côté gauche du four.

2. Prenez le reste de la bande et enroulez-le autour de l'arbre droit, puis enfoncez-la en haut.
3. Les deux extrémités de la bande doivent se trouver à environ 15-22,5 cm au-delà de l'arbre gauche sur le dessus du support de bande. De l'arbre droit si le déplacement de droite à gauche s'avère nécessaire.



Figure 37

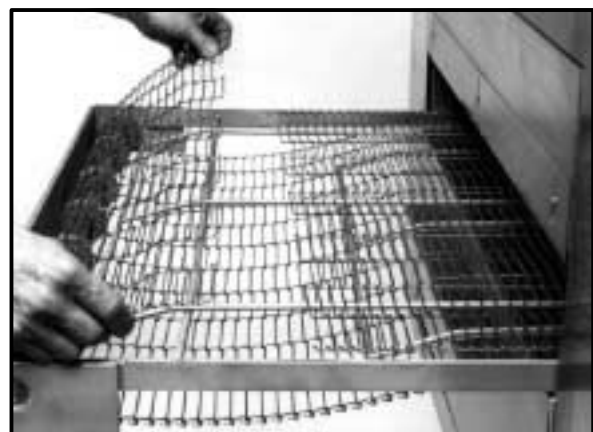


Figure 38



Installation

Montage du Four

4. Installez les liaisons principales internes. Reportez-vous aux Figure 39 et Figure 40.

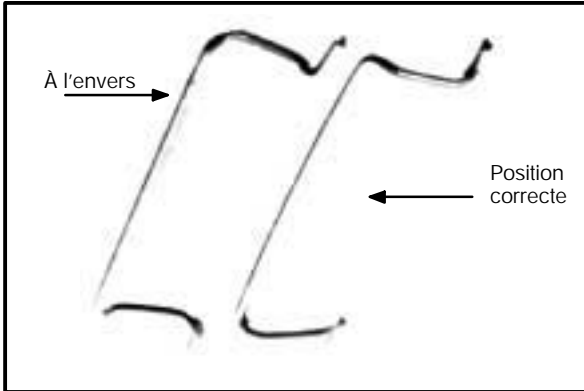


Figure 39

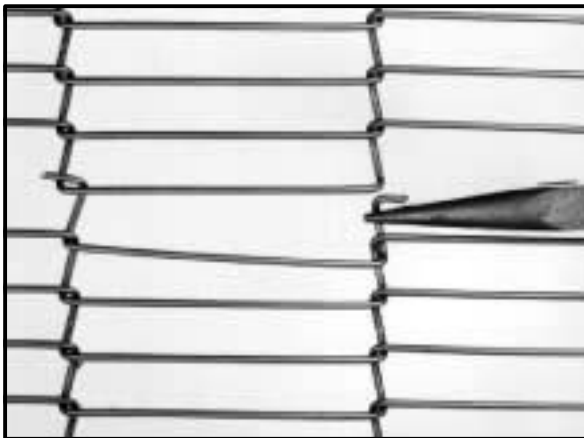


Figure 40

5. Installez les liaisons principales externes. Reportez-vous aux Figure 41 et Figure 42

NOTE: Le morceau supplémentaire de bande métallique peut servir à confectionner des liaisons principales supplémentaires en cas de perte ou d'égarement des liaisons d'origine.

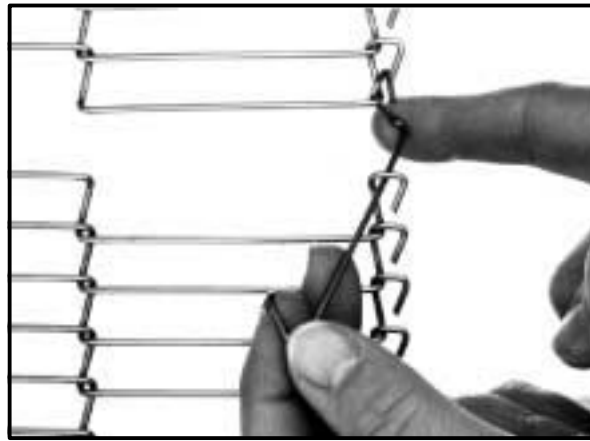


Figure 41

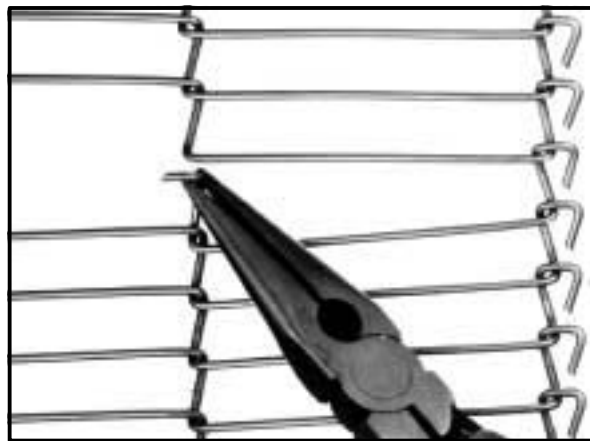


Figure 42



TENDEURS DU TAPIS

NOTE: Chaque tendeur doit se trouver entre le brin mou du convoyeur (en face du mécanisme d'entraînement) et le côté du ventre du four.

1. Comprimer à la main le ressort de l'ensemble tendeur.
2. Mettre la broche du tendeur en prise avec l'orifice du côté du ventre du four.
3. Puis la soulever pour l'enclencher sur le côté opposé avec le convoyeur.



Figure 43

PLATEAUX POUR MIETTES

1. Installez des plateaux pour miettes sous chaque extrémité de la bande transporteuse.



Figure 44

L'ORDINATEUR DE CUISSON DÉTACHÉ

1. Percer les trous de montage pour la base de support de l'ordinateur de cuisson.
2. Monter au mur, la base de support et l'étrier de support de câble.
3. Monter l'ordinateur de cuisson sur le support de base. Brancher le câble de raccordement à l'arrière du contrôleur.
4. Attacher les câbles au crochet de support de câble et à l'arrière du four en utilisant les attaches de câble et des vis.

NOTE: NE PAS sursererrer les serre-câble. Les fils peuvent être endommagés causant une défaillance de l'ordinateur.

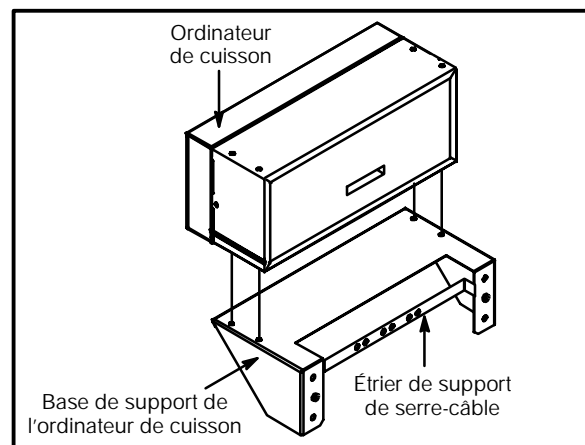


Figure 45



Installation

Branchements de Service – Normes et Codes

LES CONSEILS D'INSTALLATION ET D'ENTRETIEN CONTENUS DANS CE MANUEL NE S'ADRESSENT QU'À UN PERSONNEL QUALIFIÉ. UN PERSONNEL NON QUALIFIÉ PEUT SE BLESER ET/OU ABÎMER LE FOUR LORS DE SON INSTALLATION ET/OU SON ENTRETIEN.

Un personnel d'installation qualifié est représenté soit par des personnes physiques, soit par un société, une usine, une corporation qui en personne ou par l'intermédiaire d'un représentant s'engage à et est responsable de:

- D l'installation ou le remplacement de conduits de gaz, ou le branchement, l'installation, la réparation ou l'entretien de l'équipement.
- D l'installation du câblage électrique reliant le compteur d'électricité, l'armoire électrique ou la prise de courant à l'appareil électrique.

Le personnel d'installation qualifié doit être expérimenté dans ce type de travail, s'être familiarisé avec toutes les précautions requises et respecter tous les règlements promulgués par les autorités provinciales ou locales compétentes.

Les branchements de gaz doivent être en accord avec les codes locaux, ou en l'absence de codes locaux, avec *le Code National du Gaz de Chauffage, ANSI Z223.1 le Code d'Installation du Gaz Naturel CAN/CGA-B149.1* ou *le Code d'Installation du Propane CAN/CGA-B149.2* si applicable.

L'installation doivent être en accord avec les codes locaux, ou en l'absence de codes locaux, avec *le Code Électrique National (National Electrical Code), ANSI/NFPA 70–Dernière édition et/or Code Électrique Canadien CSA C22.2* si applicable.





CONDUIT DE GAZ

Un système d'alimentation en gaz de bon calibre est essentiel pour obtenir le meilleur rendement du four. Les conduits doivent être calibrés pour fournir suffisamment de gaz pour alimenter tous les appareils sur le conduit sans perte de pression à l'équipement.

Exemple:

NOTE: Les valeurs en BTU de l'exemple suivant sont pour le gaz naturel.

Achat d'un four à convection MT3240G qui doit être ajouté sur la conduite de cuisson existante.

1. Additionner les valeurs nominales en BTU des appareils utilisés.

Friteuse Pitco	120,000 BTU
Cuisinière 6 brûleurs	60,000 BTU
Four	<u>50,000 BTU</u>
Total	230,000 BTU

2. À ce total, ajouter la valeur nominale en BTU du nouveau four.

Total précédent	230,000 BTU
MT3240G	<u>100,000 BTU</u>
Nouveau total	330,000 BTU

3. Mesurer la distance entre le compteur à gaz et la conduite de cuisson. Ceci est la longueur de tuyau. Disons que la longueur de tuyau est de 9,1 mètres (30') et le calibre du tuyau est de 2,54 cm (1").

4. Se reporter au tableau approprié pour déterminer la capacité totale de la conduite de gaz actuelle.

Pour cette exemple, la capacité totale est de 375,000 BTU, la conduite de gaz actuelle n'a pas besoin d'être augmentée.

NOTE: Les capacités en BTU données sur les tableaux sont uniquement pour des longueurs droites de tuyaux. Tous les coudes et autres raccords diminuent la capacités de la conduite. Pour toute autre question, prendre contact avec la compagnie locale de distribution du gaz.

Capacité maximum du tuyau métallique en pieds cubiques de gaz naturel à l'heure.
(chute de pression de 13 mm (0,5 po) à la colonne d'eau)

Longueur de conduit pieds (ft)	Dimensions nominales				
	3/4"	1"	1-1/4"	1-1/2"	2"
10	360	680	1400	2100	3950
20	250	465	950	1460	2750
30	200	375	770	1180	2200
40	170	320	660	990	1900
50	151	285	580	900	1680
60	138	260	530	810	1520
70	125	240	490	750	1400
80	118	220	460	690	1300
90	110	205	430	650	1220
100	103	195	400	620	1150

Du Code national du gaz carburant Partie 10 Tableau 10-2

Capacité maximum du tuyau en milliers de BTU/hr de gaz L.P. non-dilué à 28 cm à la colonne d'eau.

(chute de pression de 13 mm (0,5 po) à la colonne d'eau)

Longueur de conduit pieds (ft)	Diamètre extérieur		
	3/4"	1"	1-1/2"
10	608	1146	3525
20	418	788	2423
30	336	632	1946
40	287	541	1665
50	255	480	1476
60	231	435	1337
70	215	404	1241
80	198	372	1144
90	187	351	1079
100	175	330	1014

Du Code national du gaz carburant Partie 10 Tableau 10-15



Installation

Branchement de Gaz

RÉGLAGE ET TEST DE PRESSION

Chaque section du four MT3240G opère à régime nominal de 100,000 BTU/heure (XX kw). Tous les fours sont réglés en usine en fonction du type de gaz spécifié sur la plaque signalétique. Cette plaque est fixée au côté gauche du panneau de commande.

Pour maintenir la bonne pression de gaz, chaque four est livré avec un régulateur. **Le régulateur est essentiel pour le fonctionnement correct du four et il ne doit pas être retiré.** Il est pré-réglé pour alimenter le four avec une pression de gaz naturel au collecteur de 0,87 kPa (3,5" WC [à la colonne d'eau]) et une pression de propane au collecteur de 2,50 kPa (10,5 WC).

NE PAS INSTALLER DE RÉGULATEUR SUPPLÉMENTAIRE OÙ LE FOUR SE CONNECTE SUR L'ALIMENTATION DE GAZ SAUF SI LA PRESSION D'ENTRÉE EST AU-DESSUS DU MAXIMUM.

NOTE: La pression maximum à la colonne d'eau de l'alimentation en gaz est 10.5" W.C. pour le gaz naturel et 13" W.C. pour le propane. La pression minimum à la colonne d'eau de l'alimentation en gaz est 4.5" W.C. pour le gaz naturel et 11.0" W.C. pour le propane.

Les branchements de gaz doivent être en accord avec les codes locaux, ou en l'absence de codes locaux, avec *le Code National du Gaz de Chauffage, ANSI Z223.1 le Code d'Installation du Gaz Naturel CAN/CGA-B149.1 ou le Code d'Installation du Propane CAN/CGA-B149.2* si applicable.

Le four et sa vanne d'arrêt individuelle doivent être déconnectés du système d'alimentation en cas de test des conduites à pression manométrique supérieure à 1/2 psi (13.85 po à la colonne d'eau ou 3.45 kPa).

En cas de test à pression manométrique de 1/2 psi (13.85 po à la colonne d'eau ou 3.45 kPa) ou moindre, le four doit être isolé du système par la fermeture de sa vanne d'arrêt manuelle individuelle.

RETENUE DU TUYAU DE GAZ

Si le four est monté sur roulettes, un connecteur commercial flexible ayant un diamètre intérieur minimum de 1,9 cm (3/4") doit être utilisé avec un dispositif de connexion rapide.

La retenue, fournie avec le four, doit servir à limiter les mouvements de l'unité de façon qu'aucune tension ne soit placée sur le connecteur flexible. Le câble de retenue doit être fixé aussi près que possible du coupleur souple et être suffisamment court pour empêcher toute contrainte exercée sur le coupleur souple. Quand la retenue est entièrement étendue, le connecteur doit être facile à installer et à connecter rapidement.

Ce dispositif (qui consiste en un câble de gros calibre) doit être accroché au mur pour empêcher d'endommager celui-ci. NE vous servez PAS de la canalisation de gaz ni d'une canalisation d'électricité pour y accrocher l'extrémité fixée à demeure du dispositif de retenue ! Servez-vous de boulons d'ancrage dans le béton ou les parpaings. Sur les murs en bois, utilisez des tire-fond à bois à résistance élevée que vous enfoncez dans les montants du mur.



AVERTISSEMENT!!

Si la retenue est déconnectée, quel qu'en soit la raison, elle doit être reconnectée quand le four est remis à sa position d'origine.

Le coupleur doit être conforme à la *Norme Applicable aux Coupleurs pour Appareils à Gaz Mobiles, ANSI Z21.69* ou *Coupleurs pour Appareils à Gaz Mobiles CAN/CGA-6.16*. Il convient d'utiliser également un dispositif de débranchement rapide conforme à la *Norme Applicable aux Dispositifs de Débranchement Rapide pour Combustibles Gazeux, ANSI Z21.41* ou *Dispositifs de Débranchement Rapide pour Combustibles Gazeux CAN 1-6.9*. Une entrave fixée à une surface immobile doit être prévue pour limiter le mouvement du four et éviter les tensions au niveau du connecteur.

Un élément d'égouttage doit être utilisé pour chaque appareil. Reportez-vous au règlement *NFPA54/ANSI Z223.1 - Dernière édition* (Code National d'Alimentation en Gaz) pour l'installation correcte d'un élément d'égouttage.

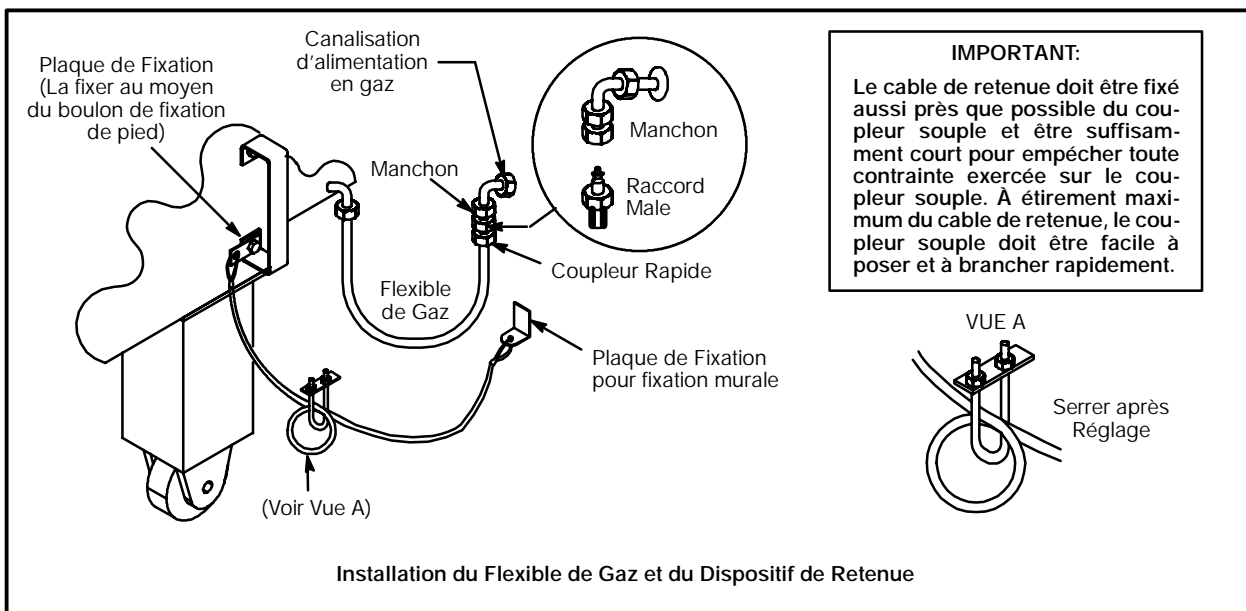


Figure 46



Installation

Raccordement Électrique

Avant d'effectuer tout branchement électrique sur ces appareils, vérifiez que l'alimentation électrique est conforme aux spécifications de tension, d'intensité et de phase indiquées sur la plaque signalétique.

NOTE: La plaque signalétique est fixée sur le panneau de commande.

Un schéma de câblage, à coller sur la page prévue à cet effet, accompagne le présent manuel et est apposé à l'intérieur du boîte de commande.

MT3240G

Le MT3240G nécessite un service électrique de 15 amp., 60 Hz, 1 F, 208-240 VCA, à 4 fils consistant en L1, L2, Neutre et Terre. Le câblage entre l'alimentation électrique et ces unités doivent être au minimum d'un calibre de 16 AWG CU torsadé ou plus gros.

AUCUN appareil monophasé ne doit être raccordé à la phase "haute" d'un circuit triphasé. La phase "haute" se réfère à un potentiel de 240 volts entre un "élément" et le neutre. Les deux "éléments" restants auront un potentiel de 120 volts entre chaque phase et le neutre.

MT3240E

Le MT3240E nécessite un service électrique de 80 amp., 60 Hz, 3 F, 208-240 VCA, à 4 fils consistant en L1, L2, L3 et Terre. Utiliser du fil pour 90_C d'un calibre conforme aux codes électriques nationaux et locaux.



AVERTISSEMENT!!

Un câblage monophasé incorrect résultera en dommages extensifs des composants électriques et en une possibilité de feu dans le panneau de commande.

LA SOCIÉTÉ BLODGETT NE SAURAIT ÊTRE TENUE POUR RESPONSABLE DES PERTES OU DOMMAGES SUBI PAR SUITE DE L'INSTALLATION INCORRECTE DE FOURS.

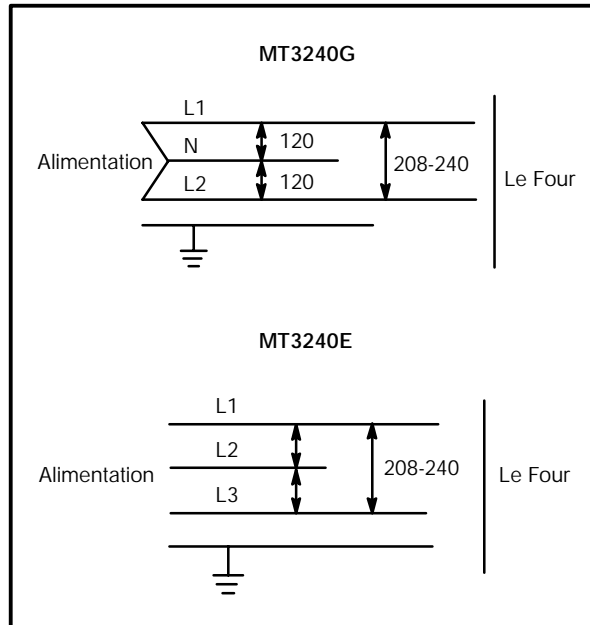


Figure 47



LES INFORMATIONS CONTENUES DANS CETTE SECTION SONT DESTINÉES AU PERSONNEL QUALIFIÉ APPELÉ A UTILISER LE FOUR. ON ENTEND PAR PERSONNEL QUALIFIÉ LE PERSONNEL QUI AURA LU ATTENTIVEMENT LES INFORMATIONS CONTENUES DANS CE MANUEL, CONNAIT BIEN LES FONCTIONS DU FOUR ET/OU POSSEDE UNE EXPÉRIENCE ANTÉRIEURE DE L'EMPLOI DE L'ÉQUIPEMENT DÉCRIT. LE RESPECT DES PROCÉDURES RECOMMANDÉES DANS CETTE SECTION PERMETTRA D'ATTEINDRE LES PERFORMANCES OPTIMALES DU SYSTÈME ET D'EN OBTENIR UN SERVICE DURABLE ET SANS ENCOMBRES.

Prenez le temps de lire attentivement les instructions qui suivent. Vous y trouverez la clé du succès du four à transportbande Blodgett.



CONSEILS DE SÉCURITÉ

Pour la sécurité, lire avant d'utiliser l'appareil

Que faire s'il y a une odeur de gaz :

- D NE PAS essayer d'allumer l'appareil.
- D NE PAS toucher d'interrupteur électrique.
- D Utiliser un téléphone extérieur pour appeler immédiatement la compagnie du gaz.
- D Si la compagnie du gaz ne répond pas, appeler les pompiers.

Que faire en cas de panne de secteur :

- D Fermer tous les interrupteurs.
- D NE PAS tenter d'utiliser le four avant que l'électricité soit revenue.

NOTE: Dans le cas d'un arrêt de l'appareil, quel qu'il soit, attendre cinq (5) minutes avant de remettre le four en marche.

D'arrêt d'urgence automatique

- D Le four est équipé d'un système d'arrêt d'urgence automatique. Si vous avez besoin d'arrêter le tapis, les ventilateurs ou l'élément chauffant. Appuyer sur l'interrupteur d'arrêt d'urgence. Ne pas utiliser l'interrupteur d'arrêt d'urgence comme interrupteur de marche/arrêt!

Conseils généraux de sécurité :

- D NE PAS utiliser d'outil pour fermer les commandes du gaz. Si le gaz ne peut pas être fermé manuellement ne pas tenter de réparer. Appeler un technicien de service qualifié.
- D Si le four doit être déplacé, quelqu'en soit la raison, le gaz doit être fermé et déconnecté de l'unité avant de retirer le câble de retenue. Reconnecter la retenue quand le four a été remis à son emplacement d'origine.
- D NE PAS retirer le couvercle du panneau de contrôle sauf si le four est débranché.



Utilisation

L'Ordinateur de Cuisson

IDENTIFICATION DES COMMANDES

1. AFFICHAGE - Indique la durée et la température, ainsi que d'autres informations relatives au fonctionnement du four.
2. MARCHE/ARRÊT – Allume ou éteint le four.
3. CLAVIER NUMÉRIQUE – Utiliser le clavier numérique pour programmer l'heure et la température de cuisson désirée.
4. TOUCHE CLEAR – Utiliser le touche CLEAR en cas d'erreur.
5. TOUCHE SET TEMP – Pour programmer ou consulter la température de cuisson.
6. TOUCHE ACT TEMP – Pour consulter la température actuelle du four.
7. TOUCHE TEMP – Pour programmer ou consulter l'heure de cuisson.
8. TOUCHE PROG/ENTER – Pour entrer et sortir la mode de programmation. Aussi pour vérifier dans des entourages programmés.
9. LES TÉMOINS LUMINEUX – S'allume lorsque les brûleurs sont allumés ou le ventilateur est activé.

LA PROCÉDÉ PROGRAMMER

Pour programmer l'heure de cuisson:

1. Appuyer sur la touche PROG ENTER (8).
2. Appuyer sur la touche TIME (7). L'afficheur indiquera *SET ▽ TIME-?* (programmer heure).
3. Utiliser le CLAVIER NUMÉRIQUE (3) pour programmer l'heure de cuisson désirée. En cas d'erreur, appuyer sur la touche CLEAR (4) et re-programmer l'heure.
4. Appuyer sur la touche PROG ENTER (8). La nouvelle heure de cuisson sera mémorisée dans l'ordinateur.

Pour programmer la température:

1. Appuyer sur la touche PROG ENTER (8).
2. Appuyer sur SET TEMP (5). L'afficheur indiquera *SET ▽ TEMP-?* (programmer température).
3. Utiliser le CLAVIER NUMÉRIQUE (3) pour programmer la température désirée. En cas d'erreur, appuyer sur la touche CLEAR (4) et re-programmer la température.
4. Appuyer sur la touche PROG ENTER (8). La nouvelle température sera mémorisée dans l'ordinateur.

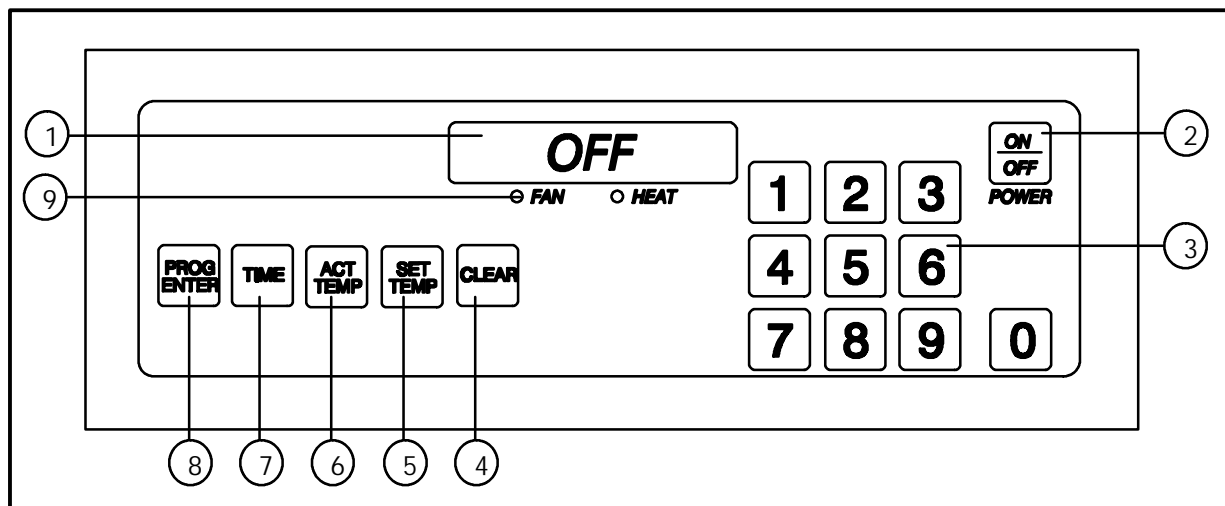


Figure 48



UTILISATION

Pour allumer le four

1. Tourner la vanne de gaz sur MARCHE. (Modèles à gaz seulement)
2. Appuyer et maintenir momentanément la touche MARCHE/ARRÊT (2). The display reads *OFF* when the oven is idle.
3. Les témoins lumineux VENTILATEUR et CHAUFFAGE (9) s'allumeront. Le ventilateur commencera à tourner et la température augmentera jusqu'à la valeur programmée dans l'ordinateur. Le tapis du convoyeur commencera à se déplacer à la vitesse mise en mémoire.
4. L'afficheur clignotera le message *WAIT* \square *LOW* \square *SET* \square *TIME* \square *mmss* jusqu'à ce que la température du four programmée soit atteinte.
5. L'afficheur indiquera *READY* (PRET) et la LED de CHAUFFAGE (9) s'éteindra. A partir de ce moment les produits peuvent être introduits dans le four.

Pour consulter l'heure de cuisson:

1. Appuyer sur la touche TIME (7). La diode LED sur la touche s'allumera et l'afficheur clignotera *SET* \square *TIME* \square *mmss*.

Pour consulter la temperature actuelle du four:

1. Appuyer sur la touche ACT TEMP (6). La diode LED sur la touche s'allumera et l'afficheur indiquera *ACTUAL* \square *nnn.F*.

Pour consulter la temperature programmee:

1. Appuyer sur la touche SET TEMP (5). La diode LED sur la touche s'allumera et l'afficheur indiquera *SET* \square *TEMP* \square *nnn.F*.

Pour eteindre le four:

1. Appuyer sur la touche ON/OFF (2). Le four est équipé d'un système de refroidissement des arbres de moteurs et de protection des roulements. Les moteur(s) de soufflante(s) de continuer à tourner, quelle que soit la position du commutateur de soufflante. Le ventilateur continuera à tourner jusqu'à ce que le four refroidisse.

AUTRES MESSAGES DE L'AFFICHEUR

WAIT \square *LOW* – la température du four est inférieure à celle programmée. Quand le four atteindra la température programmée l'afficheur indiquera *READY* (PRET).

READY – le four est prêt à être utilisé.

SET \square *TIME* \square *mmss* – indique l'heure de cuisson.

HIGH \square *TEMP* – la température est bien au dessus de la température programmée. Attendre que l'afficheur annonce *READY* (PRET) avant de faire entrer vos produits.

HIGH \square *TEMP* \square *LIMIT* – la température dépasse la valeur limite maximale. La sonnette d'alarme de température retentira. Eteindre le four et attendre qu'il refroidisse.

HIGH \square *TEMP* \square *PANEL* – la température autour du contrôleur devient excessive. Eteindre le four et attendre qu'il refroidisse.

PROBE \square *OPEN* \square *PROBE* \square *SHORT* – la sonde de température tombe en panne, la sonnette d'alarme retentira. Eteindre le four et contacter votre réparateur agréé.



Utilisation

Réglages du Four Pour la Cuisson

La combinaison de temps, température et du débit d'air est importante pour obtenir des résultats de qualité du four à bande transporteuse Blodgett. Utiliser les directives suivantes pour régler le temps, la température et le débit d'air de l'unité. Le four retiendra ces réglages et ne nécessitera aucun autre ajustement jusqu'à la cuisson d'un produit différent. Pour toute question concernant les réglages pour un produit, prendre contact avec le représentant local Blodgett pour assistance.

NOTE: Pour les pizzas, les réglages du four n'ont pas besoin d'être changés sur la base de la taille ou du nombre de garnitures sur la pizza. Les réglages peuvent nécessiter un changement pour le passage d'un type de pizza à un autre, (ex: de croute mince à style en moule).

TEMPÉRATURE

La température interne de votre produit est très importante. Il convient de la relever dès que le produit est entièrement sorti de la chambre de cuisson. La température relevée donne une indication générale du degré de cuisson du produit. Par exemple, une pizza à plusieurs ingrédients est cuite si sa température interne est supérieure à 71-74_C. Pour un seul ingrédient, tel que le fromage, la température doit dépasser 76-82_C.

RAPPORT ENTRE VITESSE DE BANDE TRANSPORTEUSE ET TEMPÉRATURE

En général, le temps de cuisson doit diminuer au fur et à mesure que la température augmente, et vice-versa. Pour sélectionner le temps de cuisson et la température appropriés, il convient de maintenir l'un ou l'autre constant. Si, par exemple, la température est réglée à 249_C et que la vitesse de bande transporteuse l'est à 7 minutes 30 secondes, mais que la pizza n'est pas aussi dorée que vous le souhaitez, conservez le même temps de cuisson et faites passer la température à 288_C.

REGLAGES DE LA CIRCULATION D'AIR

Parce que vous pouvez cuire différents types de produits dans ce four, vous devez régler le débit d'air venant du dessus et du dessous de la bande transporteuse à un niveau adapté au produit particulier. Sauf indication contraire, la circulation d'air au-dessus de la bande transporteuse des fours Blodgett est réglée à la sortie d'usine à un niveau correspondant à un débit partiel. Cela signifie que la plupart des événements sont "obturés" au moyen de bandes d'acier qui empêchent l'air chaud d'atteindre le produit en cours de cuisson. Ces bandes, ou "plaques obturatrices," peuvent être facilement retirées ou déplacées pour adapter le débit d'air à des besoins particuliers.

Quelques suggestions de réglage de la circulation d'air sont offertes ci-après. N'oubliez pas que la première moitié du four sert à la cuisson initiale du produit et que la deuxième moitié sert à faire dorer celui-ci.

EXEMPLE: Un temps de cuisson et une température appropriés ont été sélectionnés, mais vous désirez que le dessus de la pizza soit plus doré. Déplacez l'une des "plaques obturatrices" qui se trouvent au-dessus de la bande transporteuse pour ouvrir quelques rangées d'événements vers la sortie du four.

EXEMPLE: Le dessous de la pizza est bien doré, mais le dessus est légèrement brûlé. Une réduction du débit d'air sur le dessus à la sortie du four résoudra ce problème.

EXEMPLE: Le dessus de la pizza est légèrement brûlé, mais le dessous n'est pas assez cuit, le milieu est trop pâteux ou les ingrédients ne sont pas bien cuits. Ouvrez certaines des rangées d'événements au-dessus de la bande transporteuse à l'entrée du four et fermez les événements à la sortie.



AVERTISSEMENT!!

Si le four doit être plus écarté du mur, l'alimentation en gaz doit être coupée et la canalisation débranchée du four avant d'enlever la chaîne. Celle-ci doit être utilisée pour empêcher d'exercer toute contrainte sur le coupleur de gaz.

**AVERTISSEMENT!!**

Débranchez le four de la prise de courant avant son nettoyage ou son entretien.

**AVERTISSEMENT!!**

Si le four doit être plus écarté du mur, l'alimentation en gaz doit être coupée et la canalisation débranchée du four avant d'enlever la chaîne. Celle-ci doit être utilisée pour empêcher d'exercer toute contrainte sur le coupleur de gaz.

Il convient de respecter le programme de nettoyage recommandé ci-après pour obtenir un fonctionnement et des performances corrects.

Quotidiennement:

1. Nettoyer la bande transporteuse avec une brosse métallique. Laisser tomber tous les débris dans les plateaux à miettes.
2. Vider et nettoyer les plateaux à miettes.
3. S'assurer que les ventilateurs de refroidissement fonctionnent.

Tous les trois mois:

1. Brosser et nettoyer les gardes des ventilateurs de refroidissement.

Tous les six mois:

1. Débrancher le four. Débrancher les connexions de gaz.
2. Remove the crumb pans, product stop and belt tensioners from the ends of the conveyor.
3. Retirer les deux arrêteurs supérieurs. Desserer les écrous à oreilles au bas de chaque arrêteur.

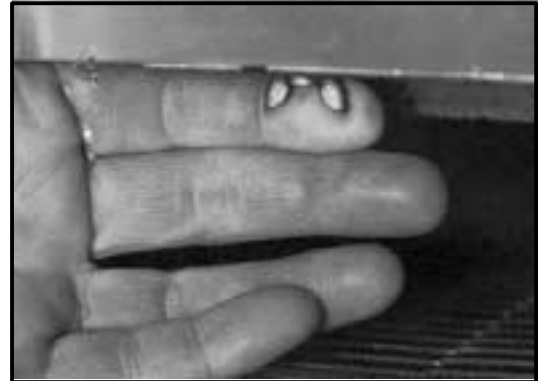


Figure 49

4. Retirer les deux arrêteurs inférieurs.
5. Retirer la bande transporteuse comme suit :
 - c.) Utiliser une pince à long bec pour retirer les maillons de liaison de la bande transporteuse.
 - d.) Glisser pour sortir la bande par un côté. S'assurer de rouler la bande comme montré à la Figure 50. Autrement la bande transporteuse sera retournée au moment de la remise en place.



Figure 50

6. Retirer le support du côté mené de la bande transporteuse.



Entretien

Nettoyage

7. Retirer le support du côté de l'entraînement de la bande transporteuse comme suit :
 - a.) Retirer le boulon hex et l'écrou de 1/4 (à l'intérieur du boîtier de commande), qui retiennent le support de bande du côté de l'entraînement au boîtier de commande. Voir Figure 51.
 - b.) Retirer la chaîne d'entraînement du pignon en poussant sur l'ensemble de la bande transporteuse pour desserrer la chaîne. S'il est impossible de pousser l'ensemble, desserrer les montages du moteur.
 - c.) Glisser le support de la bande transporteuse hors du four.



Figure 51

8. À l'aide de la poignée fournie avec le four, sortir la plaque du débit d'air.



Figure 52

9. Retirer les buses comme suit :
 - a.) Desserrer les boulons du support de la buse inférieure.



Figure 53

- b.) Soulever l'avant de chaque buse hors de la broche sur le support de buse. Tirer la buse vers l'avant du four et la retirer.

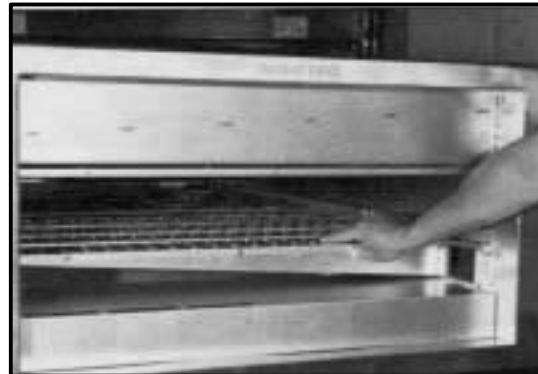


Figure 54

10. Glisser les déviateurs de retour d'air hors du four.
11. Faire tremper la bande transporteuse dans un mélange d'eau chaude/détergent.
12. Nettoyer les plateaux à miettes, remettre les déviateurs de retour d'air, buses, plaques de débit d'air et arrêteurs dans un mélange d'eau chaude/détergent. Rincer à l'eau claire. Pour les nettoyages difficiles utiliser un produit de dégraissage ou de nettoyage de four pour gros travaux qui est sans danger pour l'aluminium.

NOTE: NE PAS immerger les arrêteurs. Ils contiennent un isolant.

13. Nettoyer l'intérieur du four avec un produit de nettoyage tout usage ou avec un produit de nettoyage de four sans danger pour l'aluminium.
14. Déplacer le four, pour nettoyer au-dessous. NE PAS endommager le tuyau de gaz ni les fils électriques pendant le déplacement.
15. Pour le remontage, procéder en inversant les étapes de 1 – 10.

Glisser les déviateurs de retour d'air à l'intérieur du four. Pousser jusqu'à ce que les déviateurs s'alignent avec la découpe rectangulaire à l'arrière du four. Le long déviateur va au milieu, les déviateurs courts vont de chaque côté.

S'assurer que les buses sont correctement installées. Se reporter à la Figure 55.

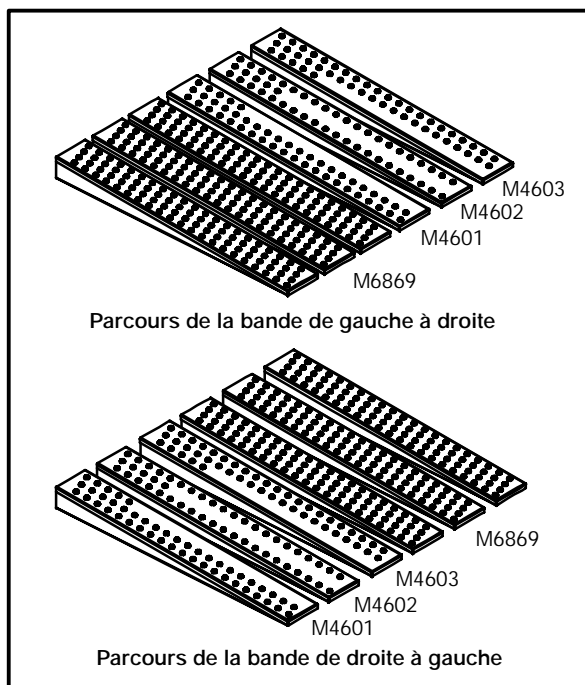


Figure 55

Tous les 12 mois:

Un technicien d'entretien agréé par l'usine doit:

1. Ouvrir le panneau de commande et nettoyer l'intérieur de celui-ci.
2. Vérifier et resserrer toutes les connexions électriques.
3. Contrôler l'usure des balais du moteur C.C. à engrenage.
4. Vérifier la propreté et le bon graissage de la chaîne d'entraînement de bande transporteuse.

Si un entretien s'avère nécessaire, adressez-vous à l'usine, au représentant de celle-ci ou à une société d'entretien locale pour effectuer l'entretien et les réparations nécessaires.



AVERTISSEMENT!!

Débranchez le four de la prise de courant avant son nettoyage ou son entretien.



AVERTISSEMENT!!

Si le four doit être plus écarté du mur, l'alimentation en gaz doit être coupée et la canalisation débranchée du four avant d'enlever la chaîne. Celle-ci doit être utilisée pour empêcher d'exercer toute contrainte sur le coupleur de gaz.



Entretien

Emplacements des composants du boîtier de commande

MT3240G

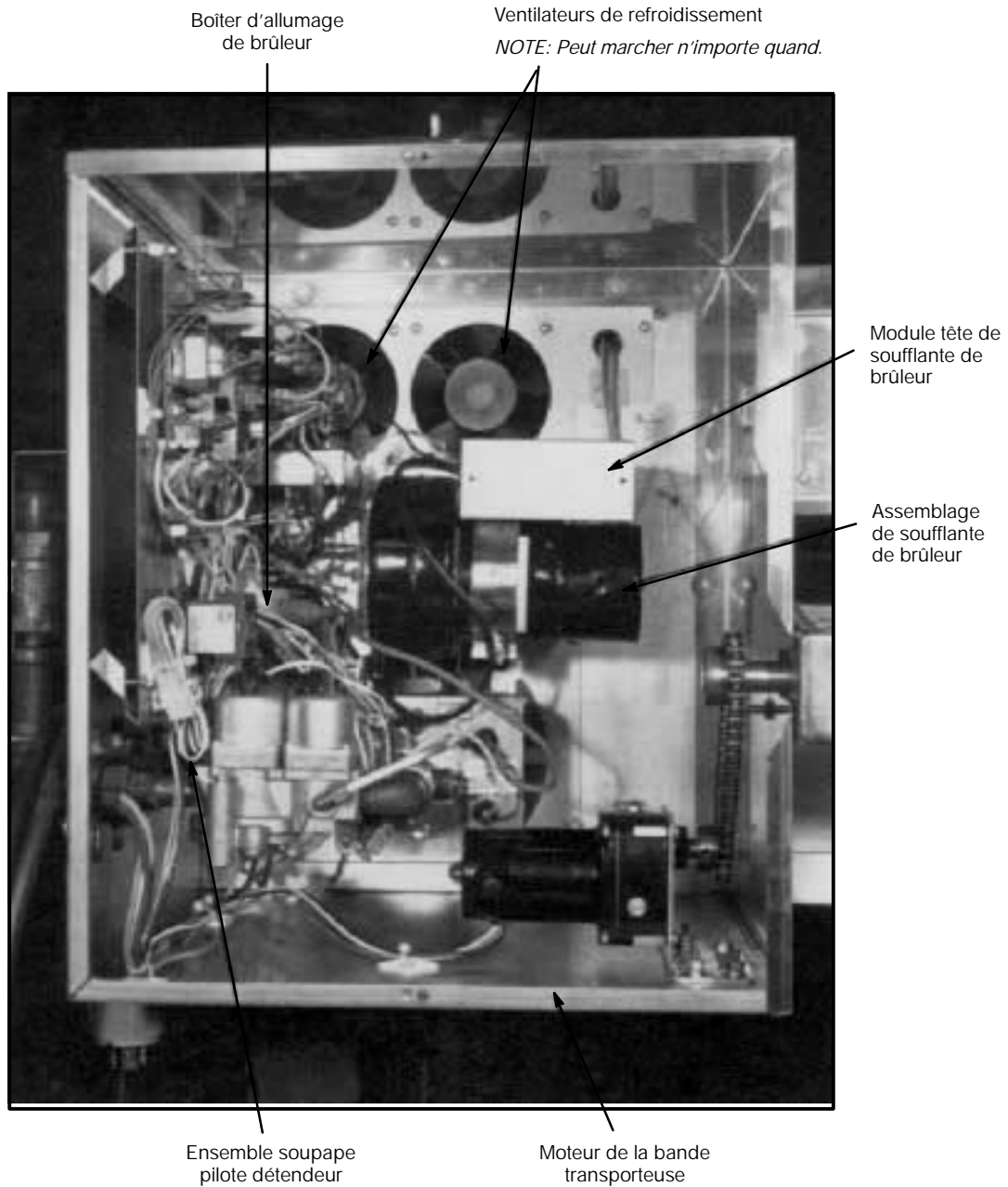


Figure 56

Emplacements des composants du boîtier de commande

MT3240E

Ventilateurs de refroidissement

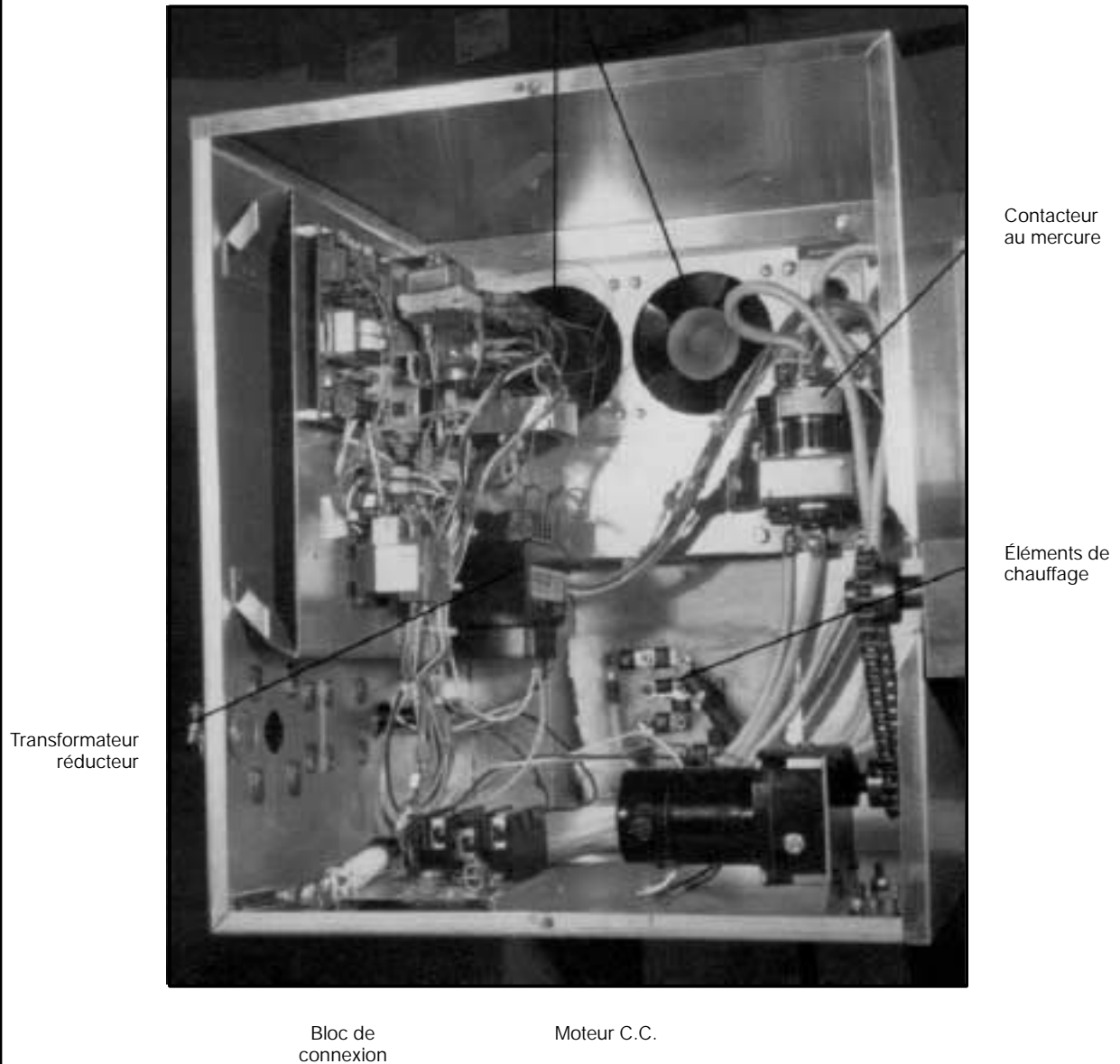


Figure 57



Entretien

Guide de Détection des Pannes


CAUSE(S) PROBABLE(S)	SUGGESTION
SYMPTOME: Le ou les moteurs de ventilation ne fonctionnent pas	
<ul style="list-style-type: none"> § L'ordinateur de contrôle est en position OFF (Arrêt) § Le four n'est pas alimenté § Le disjoncteur du moteur est ouvert § Le disjoncteur du contrôle est ouvert § Le ou les moteurs sont grillés 	<ul style="list-style-type: none"> § Le mettre sur ON (Marche) § Remplacer les fusibles principaux ou remettre à zéro les coupe-circuits § Remettre le disjoncteur § Remettre le disjoncteur § *
SYMPTOME: L'ordinateur de contrôle affiche: High Temp limit, Probe Open, ou Probe Short (Haute Temp Limite, Sonde Ouvert ou Sonde Court-Circuitée)	
<ul style="list-style-type: none"> § Le contrôle n'est pas correctement installé § Problème interne posé par le contrôle § Les raccords du thermocouple sont lâches au niveau de contrôle § Thermocouple court-circuité 	<ul style="list-style-type: none"> § Le réinstaller § * § * § *
SYMPTOME: Le brûleur refuse de s'allumer	
<ul style="list-style-type: none"> § Le contrôle est sur OFF (Arrêt) § Le ou les moteurs de ventilation ne marchent pas § Le contrôle n'est pas réglé à une température supérieure à la température ambiante § Le robinet à gaz à réglage manuel est fermé § Le ventilateur de refroidissement ne fonctionne pas bien § Le contrôle est défectueux 	<ul style="list-style-type: none"> § Le mettre sur ON (Marche) § Le ou les moteurs de ventilations doivent toujours fonctionner. Vérifier le disjoncteur et/ou les fusibles de contrôle. § Le régler à la température désirée § Ouvrir le robinet § * § *
* Indique un type d'intervention délicate qui devrait être confiée uniquement à un personnel qualifié. Plutôt que d'intervenir personnellement, en tant qu'utilisateur ou acheteur de l'appareil, il est conseillé de confier TOUT réglage et/ou TOUTE réparation à un agent commercial ou représentant local Blodgett. Blodgett ne saura être tenu responsable d'un dommage résultant d'une réparation ou d'un service d'entretien effectué par un personnel non qualifié.	



AVERTISSEMENT!!

Débranchez le four de la prise de courant avant son nettoyage ou son entretien.

Guide de Détection des Pannes

CAUSE(S) PROBABLE(S)	SUGGESTION
SYMPTOME: Le tapis du convoyeur ne veut pas se mettre en marche	
<ul style="list-style-type: none"> S Le disjoncteur du convoyeur est en position OFF (Arrêt) S Le fusible du circuit de contrôle est grillé S Le tapis est accroché à quelque chose dans le four S Le moteur d'entraînement du convoyeur est défectueux S Le contrôleur du moteur d'entraînement du convoyeur est défectueux 	<ul style="list-style-type: none"> S Le mettre sur ON (Marche) S Remplacer le fusible S Arrêter le four OFF (Arrêt), décrocher et libérer le tapis S * S *
SYMPTOME: Le four n'atteint pas la température désirée	
<ul style="list-style-type: none"> S Le four reçoit une pression de gaz insuffisante S Le disjoncteur de chauffage est sur OFF (Arrêt) S Le four n'est pas alimenté S Le ou les moteurs de ventilation ne fonctionnent pas S Le relais des éléments de chauffage est défectueux (dans le cas d'un four électrique) S Thermocouple court-circuité S Élément(s) de chauffage grillé(s) (dans le cas d'un four électrique) S Interrupteur thermostatique de sûreté déréglé ou défectueux S Problème interne posé par le contrôle S Le ventilateur de refroidissement ne fonctionne pas bien 	<ul style="list-style-type: none"> S S'adresser à la compagnie de distribution de gaz locale S Le mettre sur ON (Marche) S Remplacer les fusibles principaux S Vérifier les fusibles et/ou l'interrupteur de contrôle S * S * S * S * S * S *
SYMPTOME: Le brûleur marche de manière sporadique	
<ul style="list-style-type: none"> S Commutateur de pression d'air déréglé 	<ul style="list-style-type: none"> S *
<p>* Indique un type d'intervention délicate qui devrait être confiée uniquement à un personnel qualifié. Plutôt que d'intervenir personnellement, en tant qu'utilisateur ou acheteur de l'appareil, il est conseillé de confier TOUT réglage et/ou TOUTE réparation à un agent commercial ou représentant local Blodgett. Blodgett ne saura être tenu responsable d'un dommage résultant d'une réparation ou d'un service d'entretien effectué par un personnel non qualifié.</p>	
<p> AVERTISSEMENT!! Débranchez le four de la prise de courant avant son nettoyage ou son entretien.</p>	

**INSERT
WIRING DIAGRAM
HERE**

**PLACER
SCHÉMA DE CÂBLAGE
ICI**