



**MT3240E & MT3240G  
CONVEYOR OVEN  
REPLACEMENT PARTS LIST**



**EFFECTIVE SEPTEMBER 10, 2001**

**BLODGETT OVEN COMPANY**, 50 Lakeside Avenue, Burlington, Vermont 05401 USA

Telephone: (802) 860-3700 (800) 331-5842 Fax: (802) 860-3732

*www.blodgett.com*

Superseding All Previous Parts Lists.

The Company reserves the right to make substitution in the event that items specified are not available.

ERRORS: Descriptive and/or typographic errors are subject to correction.

**IMPORTANT:** When ordering parts, please provide the model, gas type and serial number of the oven. The identification plate is located on the left side of the combustion compartment and, also, above the control panel under the ledge.

# MT3240 E & G

September 10, 2001

- ASAP Distributor Required Stocking Parts
- ◆ Doors Are Not Returnable
- \* Item Is Too Large For UPS

2

## ELECTRICAL COMPONENTS

Ref. No.	Part No.	Description
1	<input checked="" type="checkbox"/> M6474 FW525	Computer Control Kit, Closed Loop SB Computer Control Kit, Closed Loop SB Recon.
	M7202	Conversion Kit, Open Loop to Closed Loop
	<input checked="" type="checkbox"/> M10049	Decal & Control Membrane SB (for M6474/FW525)
2	M3175	Lexan Decal only, SB
	M9692	DAC Board (for M6474/FW525)
	<input checked="" type="checkbox"/> M5635	Computer Control Kit, Open Loop TB
	M10034	Decal & Control Membrane (for M5635) TB
	M4400	Lexan Decal only, TB
	M10197	Remote Mounting Support Kit, for Computer (sgl, dbl, & tpl ovens) Replaces M3314
	M9644	Probe Kit 20" (Replaces M7427 FOR THIS OVEN ONLY)
3	<input checked="" type="checkbox"/> M3352	Transformer, 115V to 24 V
	M10035	Silicone Compound (for cables)
	<input checked="" type="checkbox"/> M3347	Cable, Computer Control, 25 Pin, 10 Foot
	<input checked="" type="checkbox"/> M3348	Cable, Computer Control, 9 Pin, 10 Foot
	M3490	Cable, Computer Control, 25 Pin, 50 Foot
	M3491	Cable, Computer Control, 9 Pin, 50 Foot
	M9262	Jack Screw (for harness mounts)
	<input checked="" type="checkbox"/> M3349	Harness, Inter-Connecting DC Drive, 3 Wire, w/socket (9 pin)
	<input checked="" type="checkbox"/> M7237	Harness, Relay Board, w/socket (25 pin)
	M9985	Relay Harness & Jack Screw Kit (25 pin)
	<input checked="" type="checkbox"/> M0984	Pick-Up, Single Pulse PV-2
4	<input checked="" type="checkbox"/> 22672	Relay, Control (for M6474)
5	<input checked="" type="checkbox"/> 20349	Buzzer, 115V
6	<input checked="" type="checkbox"/> 36066 M10543	Thermostat, High Limit Kit (Manual Reset) Emergency Stop Switch Kit (Remote Only) Replaces M3296, M0152, M3297
7	<input checked="" type="checkbox"/> M1362	Snap Disc, 140/20F, 2 Pole (Control Compartment)
	<input checked="" type="checkbox"/> M2453	Snap Disc, 140/20F, 3 Pole (Blower Compartment)
	<input checked="" type="checkbox"/> 20162	Fuse, 10 AMP, Class G (Qty 2)
8	<input checked="" type="checkbox"/> M0158	Fuse Holder (Qty 2)
	M4176	Element Assy., 208V
	M4177	Element Assy., 240V
	M6894	Element, Individual, 208V
	M6895	Element, Individual, 220V
	M6896	Element, Individual, 240V
32	<input checked="" type="checkbox"/> 22593	Transformer, 208/230V to 115V
9	M3714	Terminal Block, 3 Pole
	M0593	Terminal Block, 2 Pole
31	M4667	Contactor, 100 AMP, 120V, 3 Pole (Elements)

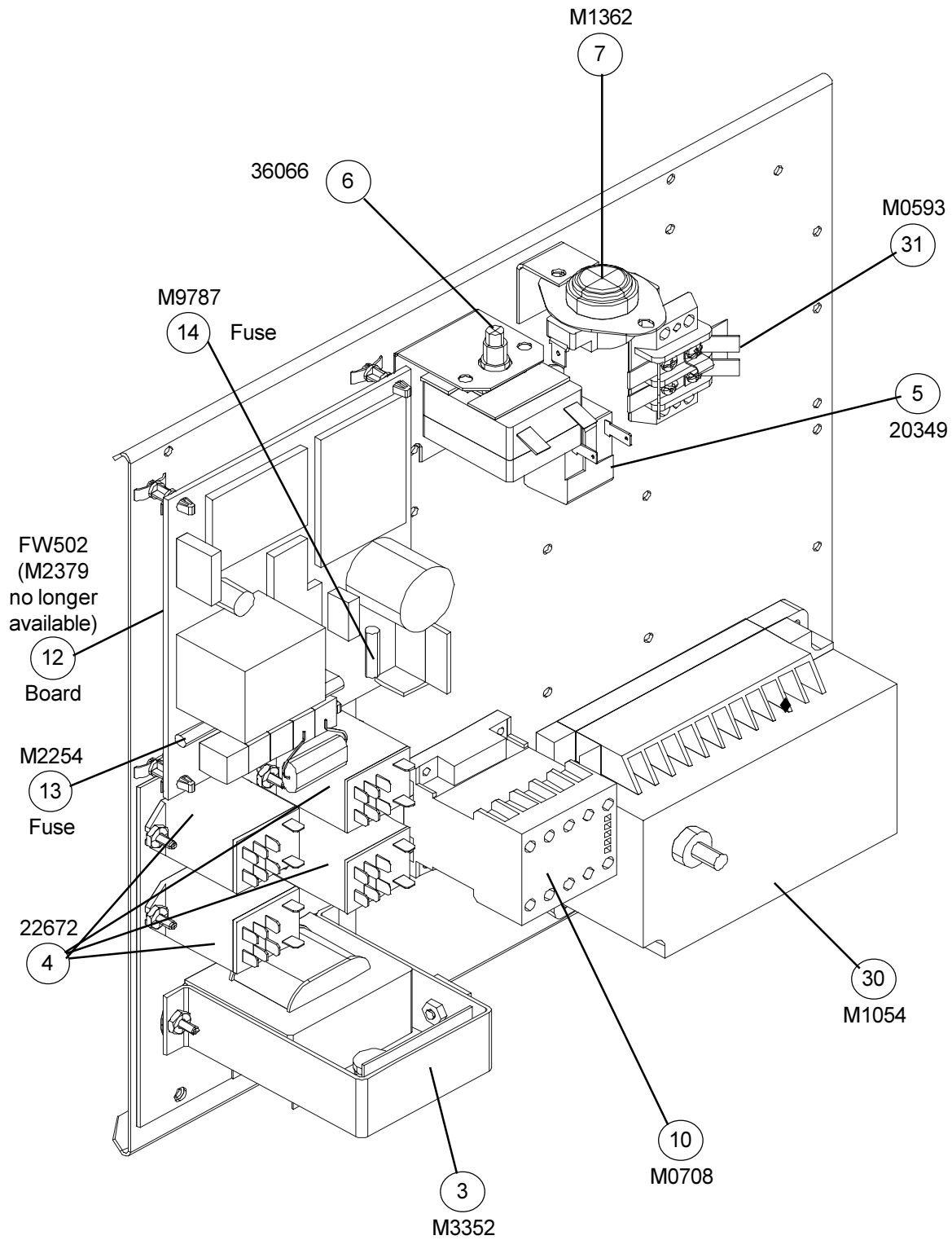
## ELECTRICAL COMPONENTS - Cont'd

Ref. No.	Part No.	Description
10	<input checked="" type="checkbox"/> M0708	Contactor, 120V, 3 Pole (Blower Motor)
11	<input checked="" type="checkbox"/> M2469	Fan, Axial 115V, 110 CFM 4-1/2" (4 per oven)
	22718	Guard & Hardware, Fan (Qty 2)
	M0572	Cord, Axial Fan 30" Power
	M1694	Cord Set & Plug Assy. (10 Feet)
	M0772	Receptacle, Twist Lock

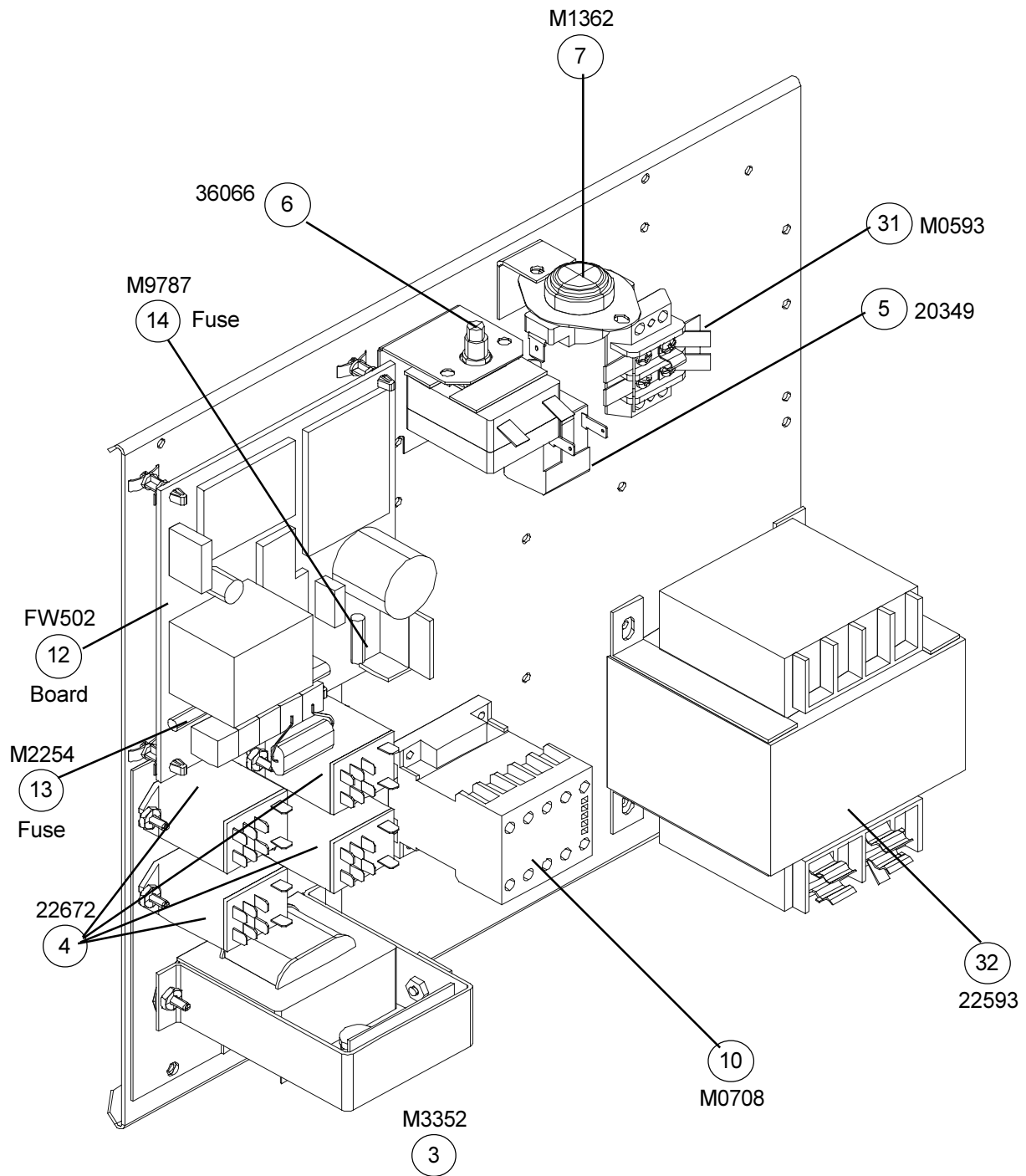
## CONVEYOR COMPONENTS

Ref. No.	Part No.	Description
	21926	Belt, Wire S/S 32" SB (Per Foot) (Total Length 13 FT)
	23112	Belt, Wire S/S 15.75" TB (Per Foot) (Total Length 13 FT)
	M4132	Tensioner Assy., Belt
12	<input checked="" type="checkbox"/> FW502	Digital Speed Control Board, Bodine Recond <i>NOTE: M2379 is no longer available</i>
	M10099	Conveyor Motor & Control Kit, Brushless (for Computerized Ovens) *See Note
12	M10081	Conveyor Control, Brushless *See Note
15	M10082	Conveyor Motor, Brushless *See Note
		<b>*NOTE:</b> You must install the <u>Brushless Kit</u> BEFORE you purchase the new brushless motor or control separately.
	<input checked="" type="checkbox"/> M6192	Bracket (For M10082)
13	<input checked="" type="checkbox"/> M2254	Fuse, Line, Bodine Board, 5 AMP, 125V
14	<input checked="" type="checkbox"/> M9787	Fuse, Armature, 250 MA, 250V (Replaces part M2316, DOMESTIC ONLY)
	<input checked="" type="checkbox"/> M2500	Brush Set, Bodine
	<input checked="" type="checkbox"/> 21152	Drive Chain
16	* M4014	Conveyor Assy., Drive SB (Before 4/95)
	* M6134	Conveyor Assy., Drive SB (After 4/95)
	* M4015	Conveyor Assy., Idle SB (Before 4/95)
	* M6135	Conveyor Assy., Idle SB (After 4/95)
	* M6176	Conveyor Assy., Drive TB
	* M6177	Conveyor Assy., Idle TB
17	M0122	Bushing, Conveyor Drive
18	<input checked="" type="checkbox"/> M0109	Sprocket, Motor Drive, 12 Tooth (Qty 1)
19	<input checked="" type="checkbox"/> M0110	Sprocket, Conveyor Drive, 15 Tooth (Qty 1)
20	<input checked="" type="checkbox"/> M0108	Sprocket, Conveyor Belt (Qty 14)
	<input checked="" type="checkbox"/> M0112	Masterlink

# MT3240G DOMESTIC CONTROL PLATE



# MT3240E DOMESTIC CONTROL PLATE



**GAS BURNER COMPONENTS**

<u>Ref. No.</u>	<u>Part No.</u>	<u>Description</u>
21	M10075	Burner Assy, Complete Nat
21	M10079	Burner Assy, Complete LP
22	M0767	Combustion Blower Motor & Control Box
23	<input checked="" type="checkbox"/> M2383	Combustion Blower Motor, Only
	<input checked="" type="checkbox"/> M2381	Transformer 120V to 24V
	<input checked="" type="checkbox"/> M2382	Relay, Thermal Delay
24	M4371	Orifice, Main Burner LP
	M4370	Orifice, Main Burner Nat
	<input checked="" type="checkbox"/> M2727	Pilot Burner & Ignitor Assy, LP
25	<input checked="" type="checkbox"/> M2726	Pilot Burner & Ignitor Assy, Nat
26	<input checked="" type="checkbox"/> M0415	Flame Sensor
	M2690	Orifice, Pilot LP
27	M0697	Orifice, Pilot Nat
	M0248	Tube, Pilot Aluminum 1/4"
	M0959	Fitting, Compression 1/4"
	<input checked="" type="checkbox"/> 23007	Spring, Solenoid Valve, Nat
28	18612	Spring, Solenoid Valve, LP
	M5291	Conversion Kit, LP to Nat
	<input checked="" type="checkbox"/> M5292	Conversion Kit, Nat to LP
29	<input checked="" type="checkbox"/> M5495	Dual Solenoid/Pressure Regulator, Nat
	M6002	Dual Solenoid/Pressure Regulator, LP
30	<input checked="" type="checkbox"/> M1054	Spark Box, 24V
	M6435	Flame Tube Assy, MT3240G
	17874	Ell, Black 1/2" x 3/4"
	597	Ell, Black 90 Degrees

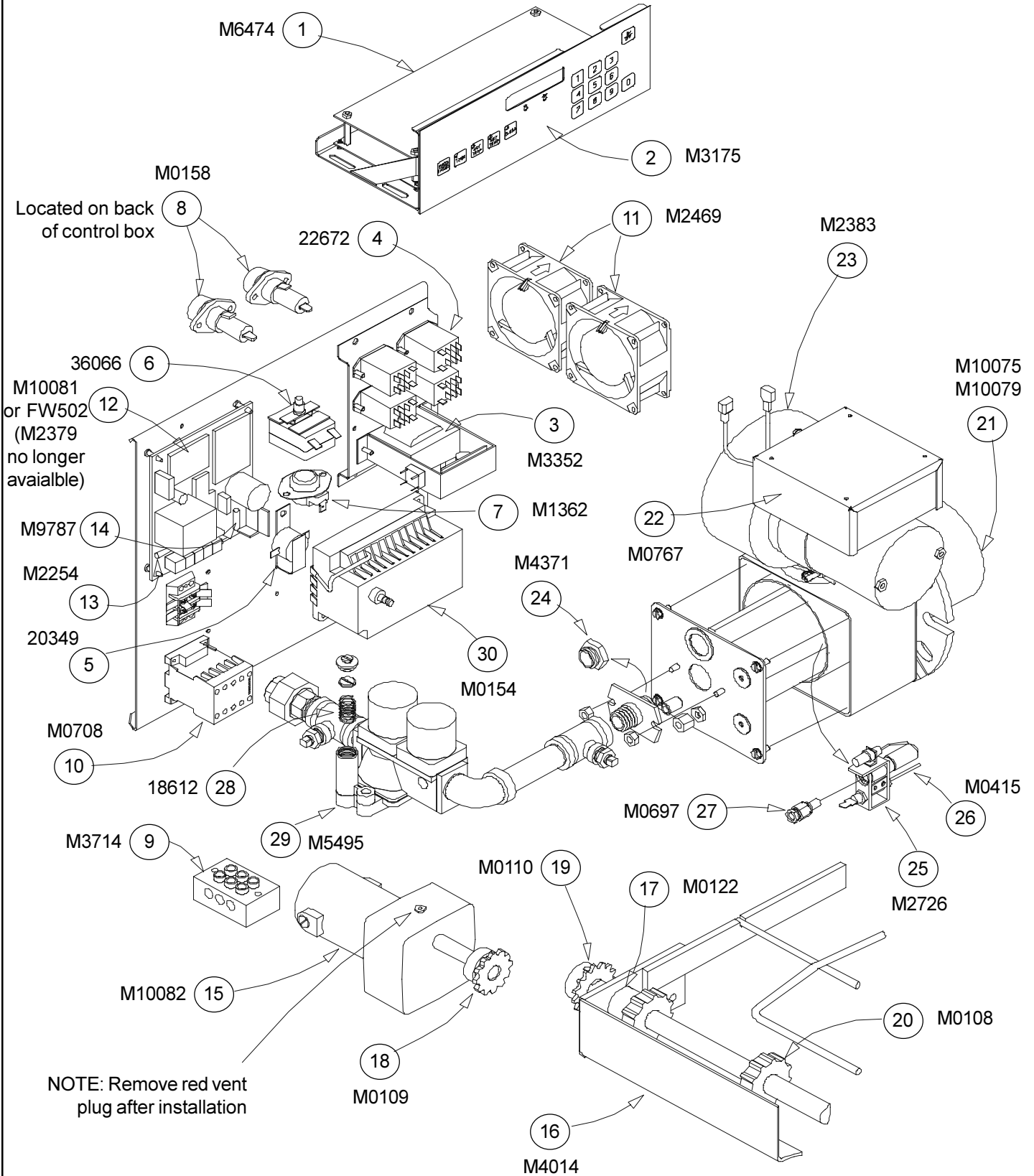
**EXCLUSIVE TO VERSION AA  
PIZZA HUT FRANCE ONLY  
(SERIAL MODEL IDENTIFICATION CODE OF  
BL = MT3240E OR XX = MT3240G)**

<u>Ref. No.</u>	<u>Part No.</u>	<u>Description</u>
	M6082	Insulation Kit, 3 Blower
	M6869	Nozzle Assy (3 per oven)(3 Blower)
	M4601	Nozzle Assy, Aluminum (1 per oven) (3 Blower)
	M4602	Nozzle Assy, Aluminum (1 per oven) (3 Blower)
	M4603	Nozzle Assy, Aluminum (1 per oven) (3 Blower)
	M5683	Diverter, Air (2 per oven) (3 Blower) Aluminum (After 10/23/95)
	M5684	Diverter, Air (1 per oven) (3 Blower) Aluminum (After 10/23/95)
	M6550	Diverter, Air (2 per oven) (3 Blower) S/S (After 10/23/95)
	M6551	Diverter, Air (1 per oven) (3 Blower) S/S (After 10/23/95)

**CONVECTION COMPONENTS**

<u>Ref. No.</u>	<u>Part No.</u>	<u>Description</u>
	<input checked="" type="checkbox"/> M6075	Motor, Blower Assy., CCW, 50/60 HZ (2 Blower)
	M5690	Insulation Kit, 2 Blower
	22117	Plate Assy., Block Off
	M4612	Air Plate Assy. (R to L or L to R) (Before 07/09/99)
	M8778	Air Plate, L-R, <b>Pizza Ranch only</b> (Between 06/24/98 and 07/09/99)
	M8779	Air Plate, R-L, <b>Pizza Ranch only</b> (Between 06/24/98 and 07/09/99)
	M9945	Air Plate, L-R (After 07/09/99) Pizza Ranch & Gen Mkt
	M9944	Air Plate, R-L (After 07/09/99) Pizza Ranch & Gen Mkt
	M4600	Nozzle Assy, Aluminum (Qty 3) (2 Blower) Pizza Ranch & Gen Mkt
	M4601	Nozzle Assy, Aluminum (Qty 1) (2 Blower) Pizza Ranch & Gen Mkt
	M4602	Nozzle Assy, Aluminum (Qty 1) (2 Blower) Pizza Ranch & Gen Mkt
	M4603	Nozzle Assy, Aluminum (Qty 1) (2 Blower) Pizza Ranch & Gen Mkt
	M5085	Nozzle Assy, S/S (Qty 3) (2 Blower) Gen Mkt
	M5086	Nozzle Assy, S/S (Qty 1) (2 Blower) Gen Mkt
	M5087	Nozzle Assy, S/S (Qty 1) (2 Blower) Gen Mkt
	M5088	Nozzle Assy, S/S (Qty 1) (2 Blower) Gen Mkt
	M4126	Diverter, Air LH (Qty 1) (2 or 3 Blower) Aluminum (Before 10/23/95)
	M4127	Diverter, Air RH (Qty 1) (2 or 3 Blower) Aluminum (Before 10/23/95)
	M5084	Diverter, Air RH (Qty 1) (2 or 3 Blower) S/S (Before 10/23/95)
	M5083	Diverter, Air LH (Qty 1) (2 or 3 Blower) S/S (Before 10/23/95)
	M5683	Diverter, Air (Qty 1) (2 or 3 Blower) Aluminum (Between 10/23/95 & 07/09/99)
	M5684	Diverter, Air (Qty 2) (2 or 3 Blower) Aluminum (Between 10/23/95 & 07/09/99)
	M6550	Diverter, Air (Qty 1) (2 or 3 Blower) S/S (Between 10/23/95 & 07/09/99)
	M6551	Diverter, Air (Qty 2) (2 or 3 Blower) S/S (Between 10/23/95 & 07/09/99)
	M9788	Diverter, Air (After 07/09/99) Pizza Ranch & Gen Mkt
	M9789	Support, for diverter (After 07/09/99) Pizza Ranch & Gen Mkt
	M9916	Block-Off Strip (After 07/09/99) Pizza Ranch & Gen Mkt

### MT3240 COMPONENTS



**EXTERIOR COMPONENTS**

**NOTES**

Please refer to next page for "Exclusive to Export" Section.

<u>Ref. No.</u>	<u>Part No.</u>	<u>Description</u>
	M3944	Door Assembly
	M4275	Door Handle Kit, 22" Long
	35184	Window Bracket Kit (L & R) (for handle)
	M6035	Latch, Door Assy.
	M7163	Plate, Lower Hinge
	M7162	Plate, Upper Hinge
	21390	Legs, 17-1/4" w/ Casters (Dbl Oven) (Set of 4)
	21391	Legs, 23-1/4" w/ Casters (Sgl Oven) (Set of 4)
	M2875	Product Stop
	M4222	Extension Assy, Product 10"
	M9948	Extension Assy, Product 15"
	M10054	Extension Assy, Product 20"
	M4639	Crumb Pan, Idle (Before 04/24/95)
	M6158	Crumb Pan, Idle (After 04/24/95)
	M9452	Crumb Pan, Idle (Sld)
	M4638	Crumb Pan, Drive (Before 04/24/95)
	M6157	Crumb Pan, Drive (After 04/24/95)
	M9451	Crumb Pan, Drive (Sld)
	M5614	Plug Assy, Lower, Drive
	M5616	Plug Assy, Lower, Idle (Qty 1)
	M5615	Plug Assy, Upper
	21911	Support, End Plug (Qty 4)
	21878	Air Slide, adjustable
	M4121	Drip Pan, Aluminum (Before 10/23/95)
	M5082	Drip Pan, S/S (Before 10/23/95)
	M3828	Pins, Stacking (Qty 4)
	M4039	Rail, Stacking Control Box (Qty 2)
	22067	Triple Base w/ Casters
	M4123	Access Panel Assy, Integral (Before 04/24/95)
	M6022	Access Panel Assy, Integral (Between 04/24/95 & 08/13/97)
	M9124	Access Panel Assy, Integral (After 08/13/97)
	M4080	Access Panel Assy, Remote (Before 04/24/95)
	M6033	Access Panel Assy, Remote (Between 04/24/95 & 08/13/97)
	M9125	Access Panel Assy, Remote (After 08/13/97)
	M4068	Plug Assy., Access (Qty 2)
	M2665	Bumper, S/S (Qty 2)
	M4090	Body Back
	21826	Installation Hose, 36"
	21242	Installation Hose, 48"
	16470	Nameplate, Blodgett 10"
	M9215	Chimney Kit, dbl
	M9214	Chimney Kit, sgl

**EXCLUSIVE TO EXPORT**

<u>Ref. No.</u>	<u>Part No.</u>	<u>Description</u>
M7170		Transformer 208/230 to 115 VAC NON CE
M10544		Reset Switch Kit, Pushbutton & Contact CE Replaces M2497 & M2498
M0595		Air Pressure Switch CE
M9978		Conversion Kit, Air Pressure Differential Switch (Replaces M3330 or M2819)
M9422		Air Pressure Differential Switch, switch only CE
M9705		Polyurethane Tubing (Per Foot, Total 3 FT) used w/pressure switch
R0164		Terminal Block, Power CE
R0166		Terminal Blower, Ground CE
R1580		Stop, End CE
16037		Indicator Light, 250V, Red, Round CE
M2316		Fuse, Armature, 200MA, 250V (Qty 1) CE
M2630		Fuse, Line, Bodine Board, 500MA, 250V (Qty 1) CE
M3168		Spark Box (Landis & Gyr)
M6449		Filter, Noise (E& G)
M6448		Filter, Noise (E)
M2630		Fuse, 500MA 250V
M3128		Motor Kit, 180 V CE
M2385		Relay, Burner
M2386		Motor, Combustion Blower
M2384		Transformer (for M2386)
M8704		Fuse, Computer (for M7282) 80MA CE
M7282		Board, Relay, Computerized CE
M6024		Transformer (for M7282) CE
M3352		Transformer, 115 to 24V NON CE
M3295		Thermostat, High Limit, Manual Reset CE
M7236		Board, Relay Closed-Loop
M3153		Board, Digital SP Cont w/ Lit (180V) CE
M6870		Plate, Air (3 Blower, L-R)
M6909		Plate, Air (3 Blower, R-L)
M3172		Timer, Fixed 2 Second
M3173		Timer, Fixed 10 Second
M4667		Contacto, 100A 120V 3P, Mercury
M0708		Contacto, 120V Coil 3P
M2247		Contacto, 240V 50HZ
23034		Fan, Axial 230V
M2469		Fan, Axial 115V, 110 CFM 4-1/2"
XXXXX		Relay, 3PDT, 240V CE
16775		Relay, SPST, 240V, 30A
M10070		Burner Assy, Complete Nat CE
M10072		Burner Assy, Complete LP CE
M10074		Burner Assy, Complete Nat Gen Exp
M10077		Burner Assy, Complete LP Gen Exp
M7333		Pilot Burner & Ignitor Assy, LP CE
M7334		Pilot Burner & Ignitor Assy, Nat CE
M3715		Terminal Block, 1 Pole
M6076		Motor, Blower Assy, CCW, 50/60 HZ (2 Blower)
M5680		Motor, Blower Assy, CCW, 50/60 HZ (3 Blower, High Speed)

**EXCLUSIVE TO EXPORT - Cont'd**

<u>Ref. No.</u>	<u>Part No.</u>	<u>Description</u>
M5690		Insulation Kit, 2 Blower
M6082		Insulation Kit, 3 Blower
M4600		Nozzle Assy (3 per oven) (2 Blower)
M6869		Nozzle Assy (3 per oven) (3 Blower)
M4601		Nozzle Assy (1 per oven) (2 or 3 Blower)
M4602		Nozzle Assy (1 per oven) (2 or 3 Blower)
M5683		Diverter, Air (3 Blower)
M5684		Diverter, Air (3 Blower)
M4603		Nozzle Assy (1 per oven) (2 or 3 Blower)
M4126		Diverter, Air Inlet LH (1 per oven) (2 Blower)
M4127		Diverter, Air Inlet RH (1 per oven) (2 Blower)
M4612		Air Plate Assy (L-R or R-L) Gen Exp & CE
M4183		Element Assy, 380/220V
M4184		Element Assy, 415/240V
M6895		Element, Individual, 220V
M6896		Element, Individual, 240V
M7880		Computer Control Kit, Closed Loop SB CE
M7480		Bracket, Relay
M6519		Relay, 1 Sec. Time Delay
M9182		Combination Gas Valve (Replaces M6117)
M9043		Temperature Probe
M9644		Probe Kit 20" CE & NON CE (Replaces part # M7427)
M9753		Gas Conversion Kit, Nat to LP/But CE
M9767		Gas Conversion Kit, LP/But to Nat CE

**EXCLUSIVE TO AA VERSION**

**BL = MT3240E OR XX - MT3240G**

<u>Ref. No.</u>	<u>Part No.</u>	<u>Description</u>
M5680		Motor, Blower Assy., CCW, 50/60 HZ (3 Blower, High Speed)

**NOTE: EXPORT ONLY**