



**MT3870 & MT3855G SERIES
CONVEYOR OVEN
REPLACEMENT PARTS LIST**



EFFECTIVE SEPTEMBER 6, 2001

BLODGETT OVEN COMPANY, 50 Lakeside Avenue, Burlington, Vermont 05401 USA
Telephone: (802) 860-3700 (800) 331-5842 Fax: (802) 860-3732
www.blodgett.com

Superseding All Previous Parts Lists.

The Company reserves the right to make substitution in the event that items specified are not available.

ERRORS: Descriptive and/or typographic errors are subject to correction.

IMPORTANT: When ordering parts, please provide the model, gas type and serial number of the oven. The identification plate is located on the left side of the combustion compartment and, also, above the control panel under the ledge.

MT3870 & MT3855G

September 6, 2001

- ☑ ASAP Distributor Required Stocking Parts
- ◆ Doors Are Not Returnable
- * Item Is Too Large For UPS

2

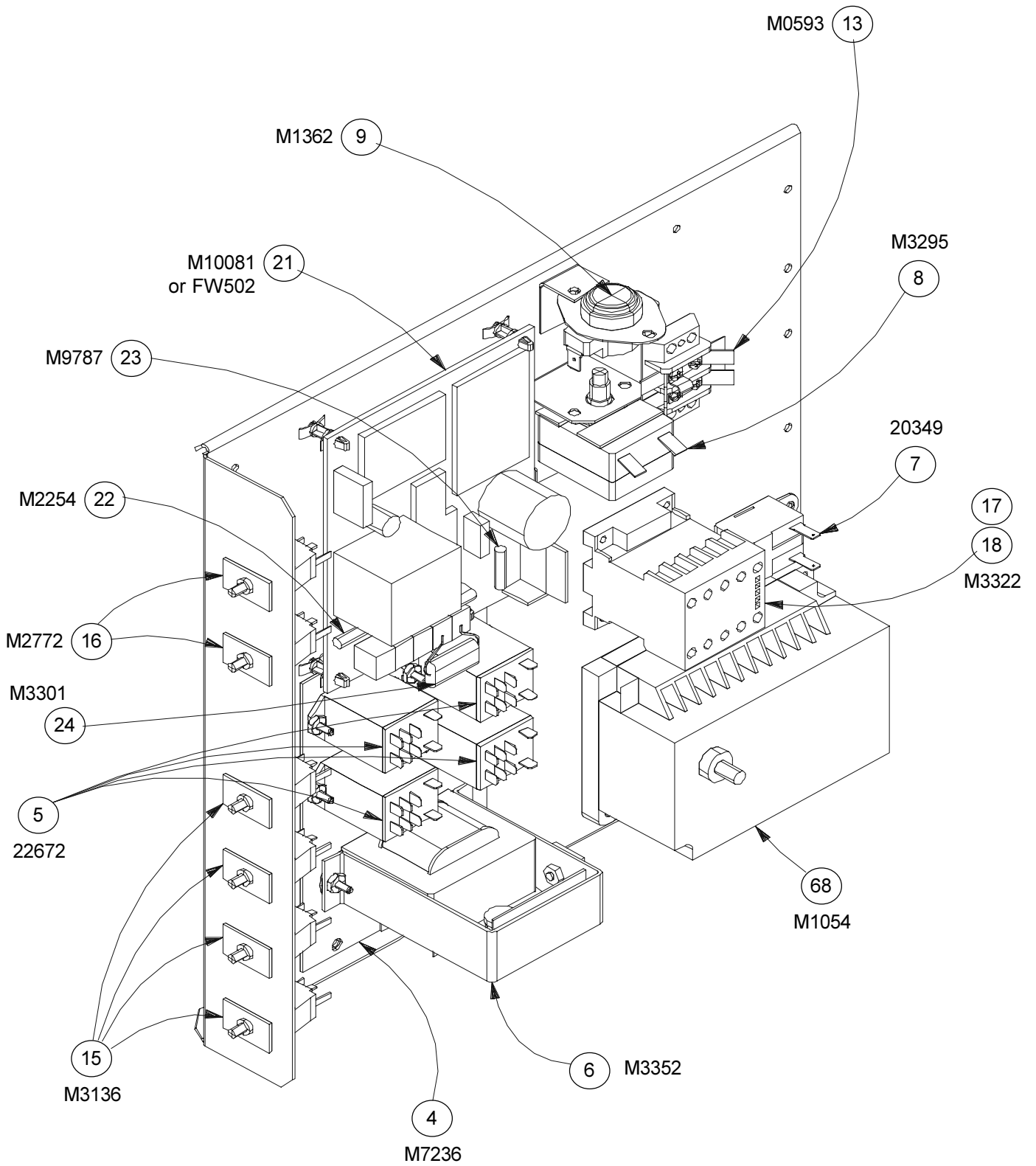
ELECTRICAL COMPONENTS

ELECTRICAL COMPONENTS - Cont'd

Ref. No.	Part No.	Description
1	M6474	Computer Control Kit, Closed Loop SB (Qty 1)
1	FW525	Computer Control Kit, Closed Loop SB (Qty 1), Recon.
	M8777	Chip, Closed Loop 3.30
	M9692	DAC Board, Closed Loop SB (for M6474)
2	M10197	Remote Mounting Support Kit, for Computer (sgl, dbl, & tpl ovens) Replaces M3314
	M10049	Decal & Control Membrane (for M6474/FW525) SB
	M3175	Lexan Decal only, SB
	M5635	Computer Control Kit, Open Loop TB (Qty 1)
	M6107	Chip, Open Loop TB
	M10034	Decal & Control Membrane (for M5635) TB
	M4400	Lexan Decal only, TB
	M7427	Probe, Temperature RTD, 500 OHMS (Qty 1)
	M7202	Conversion Kit, Open Loop to Closed Loop (Qty 1)
	M10035	Silicone Compound (for cables)
	M3347	Cable, Computer Control, 25 Pin, 10' (Qty 1)
	M3348	Cable, Computer Control, 9 Pin, 10' (Qty 1)
	M9262	Jack Screw (for Cables)
	M3490	Cable, Computer Control, 25 Pin, 50' (Qty 1)
	M3491	Cable, Computer Control, 9 Pin, 50' (Qty 1)
	M3349	Harness, w/socket, Inter-Connecting DC Drive, 3-Wire, 9 Pin (Qty 1)
	M7237	Harness, w/socket, Relay Board, 25 Pin (Qty 1)
	M9985	Relay Harness & Jack Screw Kit, 25 pin
	M3624	Harness, Control Plate (connect from 25 pin relay board harness)
	M3120	Harness, wiring (Control Plate to blower compartment harness)
	M7331	Harness, blower compartment
	M5661	Bracket Assy., Cable Clamp (Qty 1)
3	M0984	Pick Up, PV-2 (Qty 1) (After 9/15/95)
4	M7236	Board, Relay/Transformer (Qty 1)
5	22672	Relay, Control (Qty 4, "Ice cube")
6	M3352	Transformer, 120V to 24V (Qty 1)
7	20349	Buzzer, 120V (Qty 1)
8	36066	Thermostat, High Limit Kit (Qty 1)
9	M1362	Snap Disc, L140/20F, 2 Pole SPST (Qty 1) (Control Compartment)
	M2453	Snap Disc, L140/20F, 3 Pole SPDT (Qty 1) (Blower Compartment)
10	M0595	Switch, Air Pressure SPDT (Qty 1)
	M0959	Fitting, Compression 1/4" (Qty 2)
	M2799	Union, Compression (Qty 1)
11/12	M10543	Emergency Stop Switch Kit (Qty 1) Replaces M3296, M0152, M3297

Ref. No.	Part No.	Description
13	M0593	Terminal Block, 2 Pole (Qty 1 or CE Qty 2)
	M2469	Fan, Axial 110 CFM 4 1/2" (Qty 4) (Before 11/14/95)
	22718	Fan Guard & Hardware (Qty 3) (Before 11/14/95)
	M0572	Cord, Axial Fan 30" Power (Qty 4) (Before 11/14/95)
15	M3136	Breaker, 7 AMP Circuit (Qty 4)
16	M2772	Breaker, 4 AMP Circuit (Qty 2)
	M6590	Plate Assy., Control SB (Qty 1)
	M7482	Plate Assy., Control TB (Qty 1)
	M1694	Cord Set & Plug Assy., 10 Foot (Qty 1)
	M0772	Receptacle, Twist Lock (Qty 1)17
17	M0708	Contact, 3 Pole, 120V Coil (Qty 1)
18	M3322	Hood Interlock, Contact Block (Qty 1)

MT3870 & MT3855G DOMESTIC & GENERAL EXPORT SB CONTROL PLATE ASSY (M6590)



CONVEYOR COMPONENTS

Ref. No.	Part No.	Description
19	M6338	Belt, Wire S/S 38" wide SB (Per Foot) (Total Length MT3870 18 FT, MT3855 16 FT)
	M7889	Belt, Wire S/S 18-1/2" wide TB (Per Foot) (Total Length MT3870 18 FT, MT3855 16FT)
	M10337	Belt, Wire 8" wide Split Belt (Per Foot) (Total Length MT3870 18 FT)
20	M7272	Tensioner Assy., Belt MT3870 (Qty 2) (After 9/15/95)
	FW502	Speed Control Board, Bodine Recond. (After 9/90)
	NOTE:	M2379 is no longer available
	M10099	Conveyor Motor & Control Kit, Brushless (for Computerized Ovens) *See Note
21	M10081	Conveyor Control Board, Brushless *See Note
25	M10082	Conveyor Motor, Brushless *See Note

*NOTE: You must install the Brushless Kit BEFORE you purchase the new brushless motor or control separately.

NOTE: All MT3855 ovens built after 05/11/01 or serial number 051101BH094S are built with brushless style components. You may replace components separately.

	M6192	Bracket (For M10082)
22	M2254	Fuse, Line, Bodine Board, 5 AMP, 125V (Qty 1)
23	M9787	Fuse, Armature, 250MA, 250V (Qty 1) (Replaces part M2316, DOMESTIC ONLY)
24	M3301	Capacitor, Speed Control Board (SB Qty 1 or TB Qty 2)
	M2500	Brush Set, Bodine (Qty 1)
	M0391	Chain, Drive (SB Specify 2 FT or TB Specify 4 FT & Order M0112)
	M0112	Masterlink, Drive Chain (Qty 1)
26	M6791	Guard, Drive Chain SB (Qty 1)
	M6482	Guard, Drive Chain TB (Qty 1)
27	* M6154	Conveyor Assy., Drive SB MT3870 (Qty 1)
	NOTE:	If your oven was made before 09/15/95 you must order a <u>new crumb pan</u> (Part # M6167) w/ conveyor assy. If your oven was made after 09/15/95, do not order a new crumb pan.
28	* M6155	Conveyor Assy., Idle SB MT3870 (Qty 1)
	NOTE:	If your oven was made before 09/15/95 you must order a <u>new crumb pan</u> (Part # M6168) w/conveyor assy. If your oven was made after 09/15/95, do not order a new crumb pan.
	* M7592	Conveyor Assy., Drive TB MT3870 (Qty 1)
	* M7593	Conveyor Assy., Idle TB MT3870 (Qty 1)
	* M4432	Conveyor Assy., Drive SB MT3855G (Qty 1) (Before 11/14/95)
	* M4433	Conveyor Assy., Idle SB MT3855G (Qty 1) (Before 11/14/95)
	* M6777	Conveyor Assy., Folding (Drive & Idle) SB (Qty 1) MT3855G (After 11/14/95)
	* M9950	Conveyor Assy., TB MT3855G (Drive & Idle)
	NOTE:	TB is two belts, 18 1/2" wide per belt.
	* M9956	Conveyor Assy., Split MT3855G (Drive & Idle)
	NOTE:	Split Belt is two belts, one is 8" wide, one is 30" wide.

CONVEYOR COMPONENTS - CONT'D

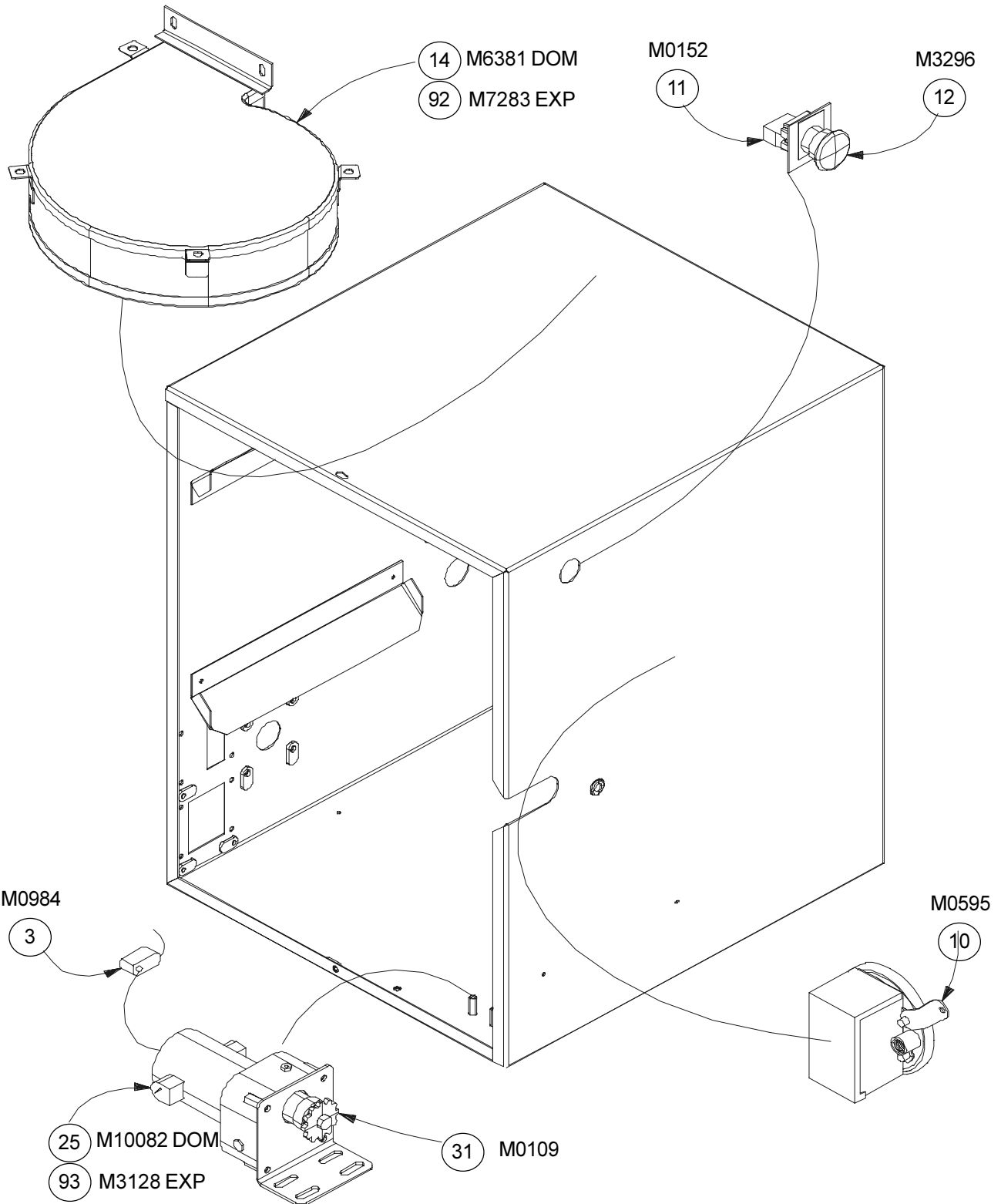
Ref. No.	Part No.	Description
	* M8617	Conveyor Assy., Drive (3 Belt MT3870 only)
	* M8618	Conveyor Assy., Idle (3 Belt MT3870 only)
29	* M2672	Shaft, Conveyor Drive SB (Qty 1)
30	* M2673	Shaft, Conveyor Idle SB (Qty 1)
	* M9962	Shaft, Conveyor Drive TB (Qty 1)
	* M9963	Shaft, Conveyor Idle TB (Qty 1)
31	M0109	Sprocket, Motor Drive, 12 Tooth (Qty 1, SB) (Qty 2, TB/Split Belt)
	M0110	Sprocket, Conveyor Drive, 15 Tooth (Qty 1)
32	M0108	Sprocket, Conveyor Belt, 11 Tooth (Qty 18 SB) (Qty 20 TB/Split Belt)
	M1865	Sprocket, Conveyor Drive, 15 Tooth (Qty 1) TB/Split Belt
	21303	Sprocket, Motor Drive, High Speed 12 Tooth (Qty 1, SB) (Qty 2, TB/Split Belt)
	M0122	Rulon Bearing (Goes on conveyor)

CONVECTION COMPONENTS

Ref. No.	Part No.	Description
33	M4224	Motor & Blower Assy., CW MT3870 Qty 2
34	M4225	Motor & Blower Assy., CCW MT3870 Qty 2 MT3855G Qty 3 For ovens before 02/27/94
	M5419	Motor & Blower Assy., CCW MT3855G Qty 3 For ovens after 02/27/94
	M9847	Convection Blower Kit High Altitude MT3870
	M10203	Convection Blower Kit High Altitude MT3855
	M2564	Capacitor, Motor MT3870 (Qty 4)
	M6781	Cooling Blower Kit MT3870
14	M6381	Cooling Blower only (no hardware) MT3870
	M5722	Insulation Kit for Blowers MT3870 (Qty 1)
	M7991	Insulation Kit for Blowers MT3855G (Qty 1)
35	M6466	Nozzle Assy. w/ Diverter MT3870 (Qty 14) Gen Mkt
	M5466	Nozzle Assy w/ Diverter MT3855G (Qty 12) (Before 11/14/95)
	M7105	Nozzle Assy w/ Diverter MT3855G (Qty 6) (After 11/14/95) (one hole in end) (See L-497)
	M7106	Nozzle Assy w/ Diverter MT3855G (Qty 6) (After 11/14/95) (two holes in end) (See L-497)
	NOTE:	Parts M7105 and M7106 alternate through the oven. There is no left or right.

MT3870 & MT3855G DOMESTIC AND GENERAL EXPORT CONTROL BOX

(CONTROL PLATE AND/OR GAS BURNER COMPONENTS NOT SHOWN)



AIR PLATES & BAKING COMPONENTS

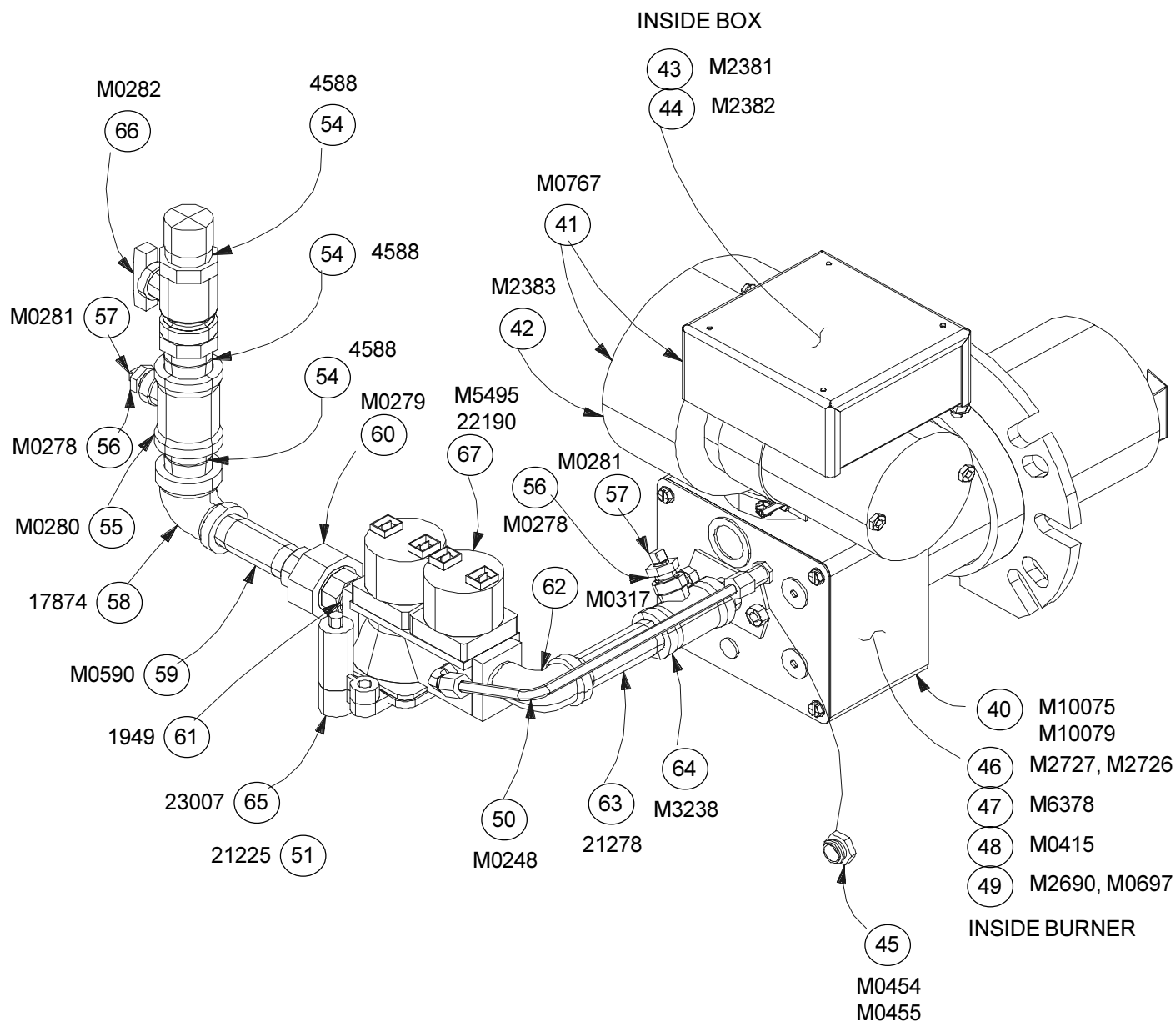
Ref. No.	Part No.	Description
37	M6470	Plate Assy, Air RH MT3870 Gen Mkt (Qty 1)
38	M6469	Plate Assy, Air LH MT3870 Gen Mkt (Qty 1)
	M10531	Plate Assy, Air LH (L-R) MT3870 Papa Gino's
	M10532	Plate Assy, Air RH (L-R) MT3870 Papa Gino's
	M10533	Plate Assy, Air LH (R-L) MT3870 Papa Gino's
	M10534	Plate Assy, Air RH (R-L) MT3870 Papa Gino's
<div style="border: 1px solid black; padding: 2px;"> NOTE: <i>The Papa Gino's Air Plate Assy's use the Gen Mkt block offs M6597.</i> </div>		
	M5767	Plate Assy, Air RH (R to L) MT3855G Gen Mkt (Before 2/27/98)
	M9489	Plate Assy, Air RH (R to L) MT3855G Gen Mkt (After 2/27/98)
	M5768	Plate Assy, Air LH (R to L) MT3855G Gen Mkt (Before 2/27/98)
	M9488	Plate Assy, Air LH (R to L) MT3855G Gen Mkt (After 2/27/98)
	M5649	Plate Assy., Air LH (L to R) MT3855 Gen Mkt (Before 2/27/98)
	M5648	Plate Assy, Air RH (L to R) MT3855 Gen Mkt (Before 2/27/98)
	M9490	Plate Assy, Air LH (L to R) MT3855 Gen Mkt (After 2/27/98)
	M9491	Plate Assy, Air RH (L to R) MT3855 Gen Mkt (After 2/27/98)
	24613	Hook, Air Pan (Qty 1)
39	M6597	Plate Assy, Block Off MT3870 Gen. Mkt. (Qty 6)
	M6079	Plate Assy, Block Off MT3855 Gen. Mkt. (Qty 6)
	M7399	Hold Down, Nozzle MT3870 (Qty 1)
	M5486	Hold Down, Nozzle MT3855G (Qty 1) (Before 11/14/95)
	M7380	Hold Down, Nozzle MT3855G (Qty 1) (After 11/14/95)
36	M3106	Diverter, Air LH & RH MT3870 (Qty 2 All ovens) MT3855G (Qty 2) (Before 11/14/95)
	M5179	Diverter, Air LH & RH MT3855G (Qty 2) (Before 11/14/95)
	M7372	Diverter, Air LH MT3855G (Qty 1) (After 11/14/95) (See L-495 & L-496)
	M7374	Diverter, Air RH MT3855G (Qty 1) (After 11/14/95) (See L-495 & L-496)
	M5453	Diverter, Air CTR MT3855G (Qty 1) (Before 11/14/95)
	M7373	Diverter, Air CTR MT3855G (Qty 1) (After 11/14/95) (See L-495 & L-496)

GAS BURNER COMPONENTS

Ref. No.	Part No.	Description
40	M10075	Burner Assy, Complete Nat
40	M10079	Burner Assy, Complete LP
41	M0767	Blower Motor, Comb. w/ Control Box (Qty 1)
42	M2383	Blower Motor, Combustion (Qty 1)
43	M2381	Transformer, 120V to 24V (Qty 1)
44	M2382	Relay, Time Delay (Qty 1)
45	M0454	Orifice, Main Burner LP MT3870
45	M0455	Orifice, Main Burner Nat MT3870
	M0579	Orifice, Main Burner LP MT3855
	M0580	Orifice, Main Burner Nat MT3855
46	M2727	Pilot Burner & Ignitor Assy., LP (Qty 1)
46	M2726	Pilot Burner & Ignitor Assy., Nat (Qty 1)
47	M6378	Shield, Pilot Burner (Qty 1)
48	M0415	Flame Sensor (Qty 1)
	19677	Wire, Flame Sensor (Qty 1)
49	M2690	Orifice, Pilot LP (Qty 1)
49	M0697	Orifice, Pilot Nat (Qty 1)
50	M0248	Tube, Pilot Aluminum 1/4" (1.583 Feet)
51	21225	Fitting, Elbow
54	4588	Nipple, Pipe 3/4 x 1-3/8 Close (Qty 3 or CE Qty 2)
55	M0280	Tee, 3/4 x 3/4 x 1/4 (Qty 1)
56	M0278	Bushing, 1/4 x 1/8 Hex (Qty 2)
57	M0281	Plug, Pipe 1/8 Black (Qty 2)
58	17874	Ell, Black 1/2 x 3/4 (Qty 1)
59	M0590	Nipple, Pipe 1/2 x 2-1/2 (Qty 1)
60	M0279	Union, 1/2 Inch Black (Qty 1)
61	1949	Nipple, Pipe 1/2 x 1-3/16 Close (Qty 1)
62	M0317	Elbow, 1/2 Inch Street 90 Deg (Qty 1)
63	21278	Nipple, Pipe 1/2 x 3-1/2 (Qty 1)
64	M3238	Tee, 1/2 x 1/2 x 1/4 (Qty 1)
65	23007	Spring, Solenoid Valve, LP to Nat (Qty 1)
65	18612	Spring, Solenoid Valve, Nat to LP (Qty 1)
	23114	Conversion Kit, LP to Nat MT3870 (Qty 1)
	21389	Conversion Kit, Nat to LP MT3870 (Qty 1)
	M5259	Conversion Kit, LP to Nat MT3855G (Qty 1)
	M5290	Conversion Kit, Nat to LP MT3855G (Qty 1)
	21242	Connector Kit, Gas Flex 48" (Qty 1)
	21826	Connector Kit, Gas Flex 36" (Qty 1)
69	M7280	Flame Tube Assy., MT3870 (Qty 1)
	M7390	Flame Tube Assy., MT3855G (Qty 1)
66	M0282	Valve, Manual Gas (Qty 1)
67	M5495	Dual Solenoid/Pressure Regulator, Nat 24V (Qty 1)
67	22190	Dual Solenoid/Pressure Regulator, LP 24V (Qty 1)
68	M1054	Spark Box, Johnson (Qty 1)

MT3870 & MT3855G DOMESTIC GAS BURNER COMPONENTS

(CONTROL BOX NOT SHOWN)



EXCLUSIVE TO PIZZA HUT

LB - LIGHTNING BOLT

Ref. No.	Part No.	Description
	M8729	Nozzle Assy, MT3870 L-R or R-L (Qty 7) LB
	M8730	Nozzle Assy, MT3870 L-R or R-L (Qty 7) LB
	M6926	Hold Down, Nozzle MT3870 LB
	M8674	Plate Assy, Air LH (R-L) MT3870 PH LB
	M8675	Plate Assy, Air RH (R-L) MT3870 PH LB
	M8711	Plate Assy, Air LH (L-R) MT3870 PH LB
	M8712	Plate Assy, Air RH (L-R) MT3870 PH LB
	M8796	Diverter Assy LB (Qty 1)
	M8797	Diverter Assy LB (Qty 1)
	M7376	Plate Assy, Air LH (R-L) MT3855
	M7110	Plate Assy, Air RH (R-L) MT3855
	M7377	Plate Assy, Air RH (L-R) MT3855
	M7109	Plate Assy, Air LH (L-R) MT3855
	M2467	Cord Set, Hood Interlock

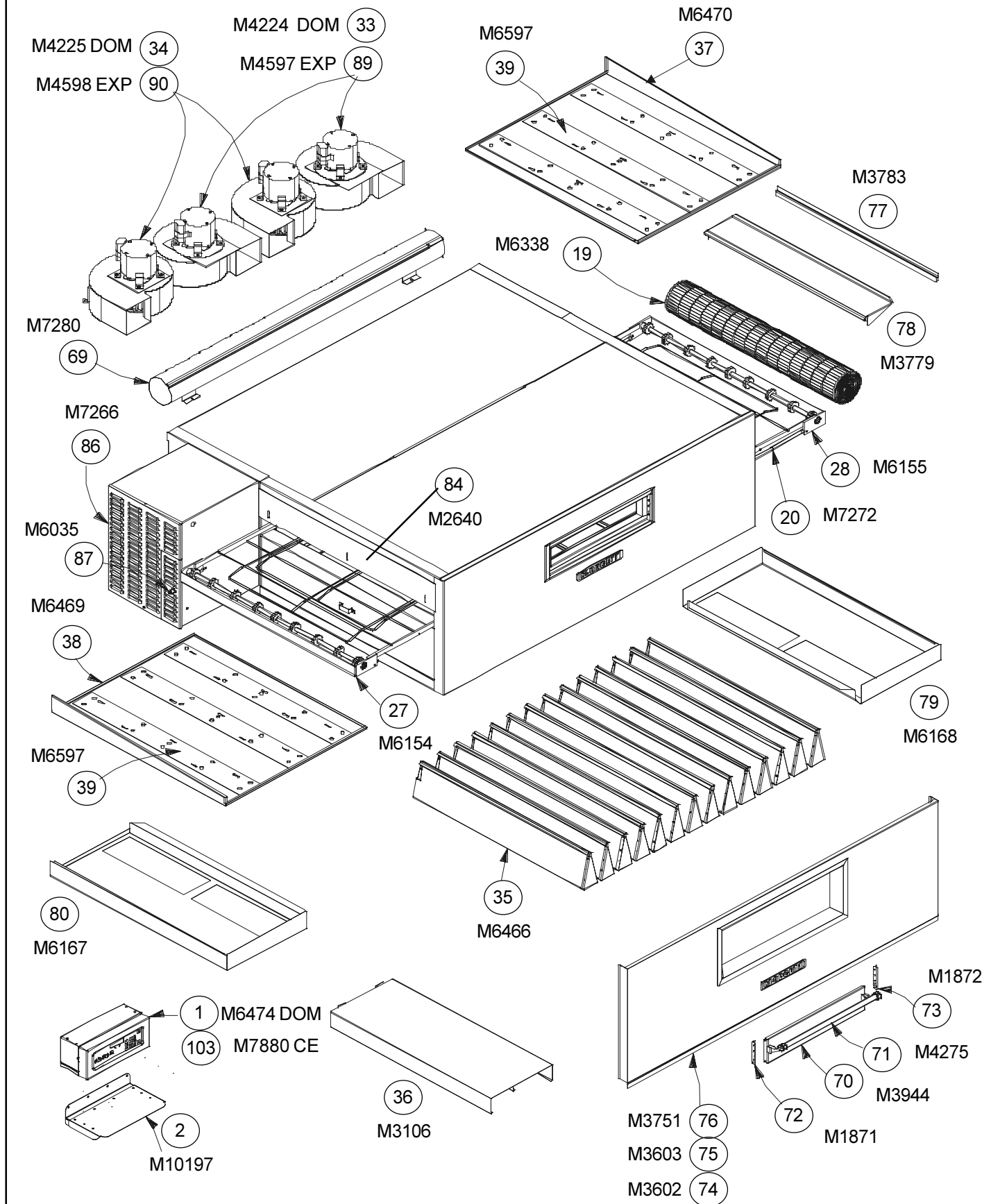
EXTERIOR COMPONENTS

Ref. No.	Part No.	Description
	◆ M2868	Door Assembly, Pull Down S/S (used w/ enclosed Greenheck hood system) (Qty 1)
	M2188	Handle Kit, Door 2" (used w/ M2868) (Qty 1)
70	◆ M3944	Door Assembly (used w/ false front) (Qty 1)
71	M4275	Handle Kit, Door 22" (used w/ M3944) (Qty 1)
72	M1871	Plate, RH Pivot Slotted (Qty 1)
73	M1872	Plate, LH Pivot Slotted (Qty 1)
	35184	Window Bracket Kit (L & R) (for handle)
74	M3602	Bracket Assy., Mounting (Qty 2) LH
75	M3603	Bracket Assy., Mounting (Qty 2) RH
	M5475	Filter Assy., MT3855G (Qty 1) (Before 11/14/95)
76	M3751	False Front Assy., MT3870 (Qty 1)
	M4563	False Front Assy., MT3855G (Qty 1)
	M3951	Tape, Closed Cell Foam
	M5032	Chimney Kit, Sgl (Before 11/95)
	M7464	Chimney Kit, Sgl (After 11/95)
	M7160	Chimney Kit, Dbl (Before 11/95)
	M5634	Chimney Kit, Dbl MT3855 Prior to 11/95
	M7463	Chimney Kit, Dbl (Qty 1) (After 11/95)
	21390	Legs, 17-1/4" w/ Casters (Dbl) (Set of 4)
	21391	Legs, 23-1/4" w/ Casters (Sgl) (Set of 4)
	14444	Casters, Cradle (Tpl Oven) (Set of 4)
	22229	Stacking Assy., Dbl (Qty 1)
77	M3783	Stop, Product S/S (Qty 1)
78	M3779	Extension Assy., Product 6" (Qty 1)
	M4223	Extension Assy., Product 10" (Qty 1)
	M7575	Extension Assy., Product 15" (LaRosa's) (Qty 1)
	M10059	Extension Assy., Product 20" (Qty 1)

EXTERIOR COMPONENTS-CONT'D.

Ref. No.	Part No.	Description
	M2824	Crumb Pan, Idle MT3870 w/Holes (Before 9/15/95)
79	M6168	Crumb Pan, Idle MT3870 w/Holes (After 9/15/95)
	M2823	Crumb Pan, Drive MT3870 w/Holes (Before 9/15/95)
80	M6167	Crumb Pan, Drive MT3870 w/Holes (After 9/15/95)
	M9454	Crumb Pan, Idle MT3870G Sld
	M9453	Crumb Pan, Drive MT3870G Sld
	M6910	Crumb Pan, Idle MT3855G w/Holes
	M6906	Crumb Pan, Drive MT3855G w/Holes
	M10144	Crumb Pan, Drive MT3855G Sld
	M10145	Crumb Pan, Idle, MT3855G Sld
	M5612	Plug Assy, Lower RH MT3870 (Qty 1) (Before 9/15/95)
81	M7276	Plug Assy, Lower RH MT3870 (Qty 1) (After 9/15/95)
82	M5612	Plug Assy, Lower LH MT3870 (Qty 1)
	M7386	Plug Assy, Lower MT3855G (Qty 2)
83	M3116	Plug Assy, Upper MT3870/MT3855G (Qty 2)
84	M2640	Air Curtain, Upper End Plug (Qty 2)
	M7150	Support Assy, Upper End Plug LH (MT3870, Qty 2) (MT3855, Qty 1)
	M7149	Support Assy, Upper End Plug RH (MT3870, Qty 2) (MT3855, Qty 1)
	M3724	Handle, End Plug (Qty 2)
	M4633	Panel & Filter Assy. (Qty 1) MT3870 (All) & MT3855G (Before 11/14/95)
	M5485	Panel & Filter Assy. MT3855G (After 11/14/95)
	M5355	Control Box Cover w/ Louvers MT3855G (Qty 1) (Before 11/14/95)
	M6799	Control Box Cover w/ Access Door MT3855G (Qty 1) (After 11/14/95)
	M2780	Control Box Cover w/ Louvers MT3870 (Qty 1) (Before 9/15/95)
86	M7266	Control Box Cover w/ Access Door MT3870 (Qty 1) (After 9/15/96)
87	M6035	Latch, Access Door (Qty 1)
	M2689	Body Back, MT3870 (Qty 1) (Before 9/15/95)
	M7254	Body Back, MT3870 (Qty 1) (After 9/15/95)
	M4248	Body Back, MT3855G (Qty 1)

MT3870 EXTERIOR OVEN VIEW



EXCLUSIVE TO EXPORT

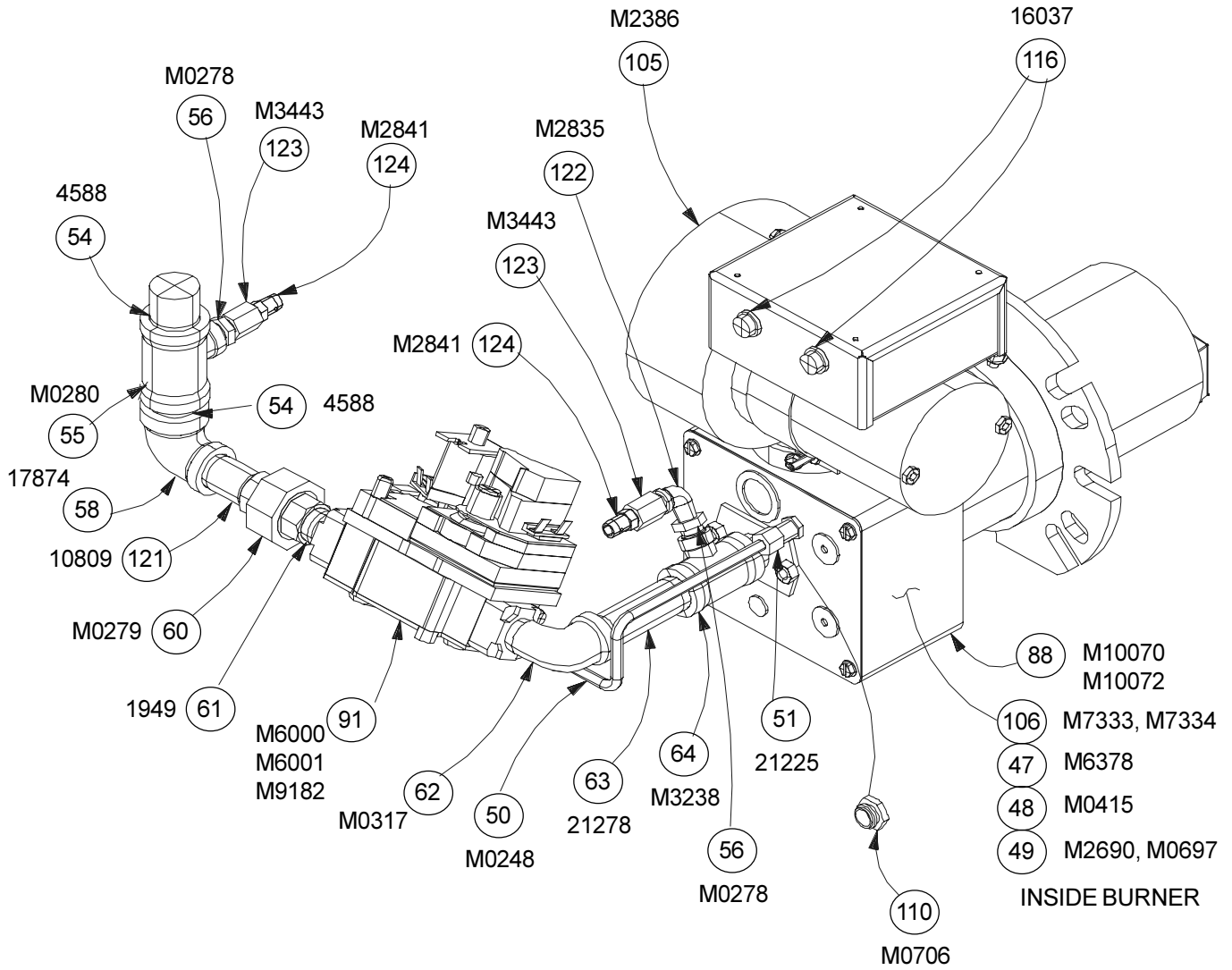
<u>Ref. No.</u>	<u>Part No.</u>	<u>Description</u>
88	M10070	Burner Assy, Complete Nat CE
88	M10072	Burner Assy, Complete LP CE
	M10069	Burner Assy, Complete Nat Australia
	M10080	Burner Assy, Complete LP Australia
	<i>NOTE: Use Lit-683 with Australian Burners.</i>	
	M10074	Burner Assy, Complete Nat Gen Exp
	M10077	Burner Assy, Complete LP Gen Exp
89	M4597	Motor & Blower Assy., CW MT3870 (Qty 2)
90	M4598	Motor & Blower Assy., CCW MT3870 (Qty 2)
92	M7283	Blower, Cooling Export (Qty 1)
93	M3128	Motor, Conveyor Drive Bodine, 180V (Qty 1)
94	M3153	Digital Speed Control Board, Bodine (Qty 1)
95	M2630	Fuse, Line, Bodine Board, 500 MA, 250V (Qty 1) CE
96	M2316	Fuse, Armature, 200 MA, 250V (Qty 1) CE
	M5717	Board, Relay (Open Loop) SB (Qty 1)
97	M7282	Board, Relay (Closed Loop) SB (Qty 1)
98	M8704	Fuse, 250V, 125 MA (Qty 1) CE (Replaces M8652)
99	M6024	Transformer, 220V to 24V (Qty 1) (for M7282)
100	20350	Buzzer, 240V (Qty 1)
101	R1580	Stop, End (Qty 1)
102	M6449	Filter, Noise (Qty 1) E & G CE
	M6448	Filter, Noise (Qty 1) E CE
103	M7880	Computer Control Kit, Closed Loop SB CE
104	M7888	Relay, 1 Second Time Delay 3PDT (Qty 1) CE
105	M2386	Blower Motor, Combustion (Qty 1) CE
106	M7333	Pilot Burner & Ignitor Assy., LP (Qty 1) CE
106	M7334	Pilot Burner & Ignitor Assy., Nat (Qty 1) CE
107& 108	M10544	Reset Switch Kit, Push Button & Contact (Qty 1) CE, Replaces M2497 & M2498
	M0595	Air Pressure Switch (All gas ovens)
	M9978	Conversion Kit, Air Pressure Differential Switch (Replaces M3330 & M2819) CE
109	M9422	Air Pressure Differential Switch, switch only (Qty 1) CE
	M9705	Polyurethane Tubing, used w/pressure switch (Per Foot, total 3 FT) CE
110	M0706	Orifice, Main Burner (Specify MTD) (Qty 1) CE
111	R0164	Terminal Block, Power (Qty 2) CE
112	R0166	Terminal Block, Ground (Qty 1) CE
113	M3168	Spark Box, 240V (Landis & Gyr) (Qty 1) CE
114	M2247	Contact, 240V, 50 HZ (Qty 1) CE & Aust
	18265	Indicator Light, 28V, Red, Round (Qty 1) CE
116	16037	Indicator Light, 250V, Red, Round (Qty 1) CE & Australia
117	16775	Relay, SPST, 240V, 30 Amp. (Qty 1) CE
118	M3172	Timer, Fixed, 2 Second (Qty 1) CE
119	M3173	Timer, Fixed, 10 Second (Qty 1) CE
	M6589	Plate Assy., Control SB (Qty 1) CE
	M7323	Plate Assy., Control SB (Qty 1) Australia
	M6982	Piping Assy. (Qty 1) CE

EXCLUSIVE TO EXPORT - Cont'd

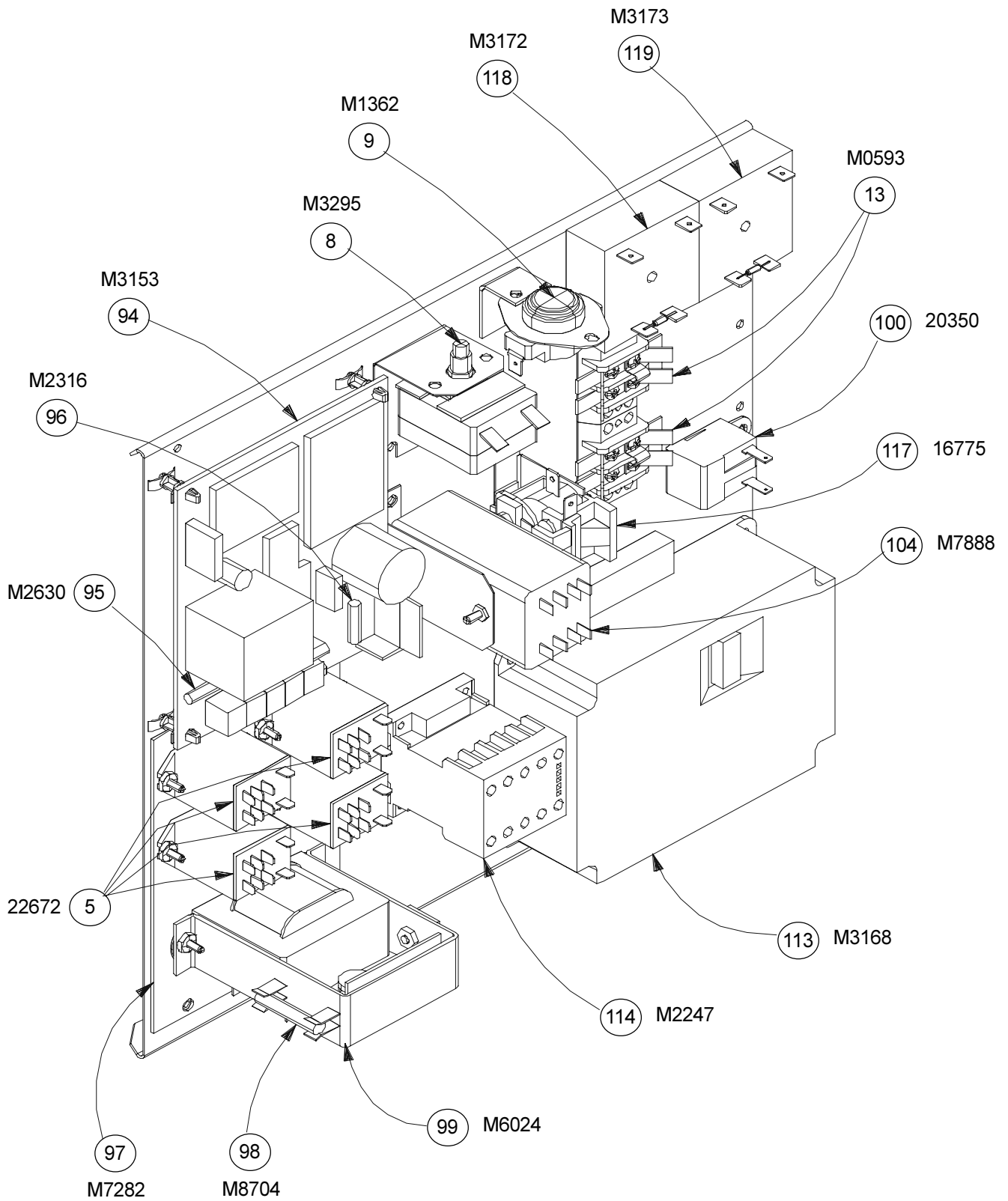
<u>Ref. No.</u>	<u>Part No.</u>	<u>Description</u>
	M9531	Harness, Blower (MT3870) Australia
	M9753	Gas Conversion Kit, Nat to LP/But CE
	M9767	Gas Conversion Kit, LP/But to Nat CE
120	M6029	Connector, Liquid Tight (Qty 1) CE
121	10809	Nipple, Pipe 1/2 x 2 (Qty 1) CE
122	M2835	Fitting, Elbow 90 Street 1/8" (Qty 1) CE
123	M3443	Bushing, Adapter (Qty 2) CE
124	M2841	Fitting, Pressure Tap (Qty 2) CE
91	M9182	Gas Valve (replaces M6117) CE & Export After 10/08/97
91	M6000	Gas Valve, Combination 240V NAT 50 HZ Before 10/08/97
91	M6001	Gas Valve, Combination 240V LP 50 HZ Before 10/08/97
	M8744	Leg & Caster Kit, 17 1/4" CE
	M8745	Leg & Caster Kit, 23 1/4" CE
	M10225	Plate Assy, Air (L-R), LH Dominos Australia
	M8712	Plate Assy, Air (L-R), RH Dominos Australia
	M8675	Plate Assy, Air (R-L), LH Dominos Australia
	M10224	Plate Assy, Air (R-L), RH Dominos Australia
	M10199	Block Offs, Qty 3, Dominos Australia

MT3870 & MT3855G CE GAS BURNER COMPONENTS

(CONTROL BOX NOT SHOWN)



MT3870 & MT3855G CE SB CONTROL PLATE ASSY (M6589)



MT3870 & MT3855G CE CONTROL BOX (CONTROL PLATE AND/OR GAS BURNER COMPONENTS NOT SHOWN)

