

BLODGETT® **BLODGETT**® **BLODGETT**® **BLODGETT**®

BLODGETT® **BLODGETT**® **BLODGETT**®

BLODGETT® **BLODGETT**® **BLODGETT**® **BLODGETT**®

BLODGETT®

**MT3855G-G
CONVEYOR OVENS
INSTALLATION – OPERATION – MAINTENANCE**

**MT3855G-G
FOURS À BANDE TRANSPORTEUSE
MANUEL D'INSTALLATION – FONCTIONNEMENT – ENTRETIEN**



The Australian
Gas Association

BLODGETT OVEN COMPANY

www.blodgettcorp.com

50 Lakeside Avenue, Box 586, Burlington, Vermont 05402 USA Telephone (800) 331-5842, (802) 860-3700 Fax: (802)864-0183

PN M5702 Rev D (6/01)

© 2001 – G.S. Blodgett Corporation

IMPORTANT

WARNING: IMPROPER INSTALLATION, ADJUSTMENT, ALTERATION, SERVICE OR MAINTENANCE CAN CAUSE PROPERTY DAMAGE, INJURY OR DEATH. READ THE INSTALLATION, OPERATING AND MAINTENANCE INSTRUCTIONS THOROUGHLY BEFORE INSTALLING OR SERVICING THIS EQUIPMENT

AVERTISSEMENT: UNE INSTALLATION, UN AJUSTEMENT, UNE ALTÉRATION, UN SERVICE OU UN ENTRETIEN NON CONFORME AUX NORMES PEUT CAUSER DES DOMMAGES À LA PROPRIÉTÉ, DES BLESSURES OU LA MORT. LISEZ ATTENTIVEMENT LES DIRECTIVES D'INSTALLATION, D'OPÉRATION ET D'ENTRETIEN AVANT DE FAIRE L'INSTALLATION OU L'ENTRETIEN DE CET ÉQUIPEMENT.

INSTRUCTIONS TO BE FOLLOWED IN THE EVENT THE USER SMELLS GAS MUST BE POSTED IN A PROMINENT LOCATION. THIS INFORMATION MAY BE OBTAINED BY CONTACTING YOUR LOCAL GAS SUPPLIER.

LES INSTRUCTIONS À RESPECTER AU CAS OÙ L'UTILISATEUR PERÇOIT UNE ODEUR DE GAZ DOIVENT ÊTRE AFFICHÉES DANS UN ENDROIT BIEN VISIBLE. VOUS POUVEZ VOUS LES PROCURER AUPRÈS DE VOTRE FOURNISSEUR DE GAZ LOCAL.

FOR YOUR SAFETY

Do not store or use gasoline or other flammable vapors or liquids in the vicinity of this or any other appliance.

AVERTISSEMENT

Ne pas entreposer ni utiliser de l'essence ni d'autres vapeurs ou liquides inflammables dans le voisinage de cet appareil, ni de tout autre appareil.

The information contained in this manual is important for the proper installation, use, and maintenance of this oven. Adherence to these procedures and instructions will result in satisfactory baking results and long, trouble free service. Please read this manual carefully and retain it for future reference.

Les informations données dans le présent manuel sont importantes pour installer, utiliser et entretenir correctement ce four. Le respect de ces instructions et procédures permettra d'obtenir de bons résultats de cuisson et une longue durée de service sans problèmes. Veuillez lire le présent manuel et le conserver pour pouvoir vous y reporter à l'avenir.

Errors: Descriptive, typographic or pictorial errors are subject to correction. Specifications are subject to change without notice.

Erreurs: Les erreurs de description, de typographie ou d'illustration font l'objet de corrections. Les caractéristiques sont sujettes à modifications sans préavis.



***THE REPUTATION YOU CAN COUNT ON
UNE RÉPUTATION SUR LAQUELLE VOUS POUVEZ COMPTER***

For over a century and a half, The Blodgett Oven Company has been building ovens and nothing but ovens. We've set the industry's quality standard for all kinds of ovens for every foodservice operation regardless of size, application or budget. In fact, no one offers more models, sizes, and oven applications than Blodgett; gas and electric, full-size, half-size, countertop and deck, convection, Cook'n Hold, Combi-Ovens and the industry's highest quality Pizza Oven line. For more information on the full line of Blodgett ovens contact your Blodgett representative.

Cela fait maintenant dessus un siècle et demi que Blodgett se spécialise dans la fabrication de fours. Nous avons établi les normes de qualité qui s'appliquent dans l'industrie à tous les types de fours utilisés dans les services alimentaires, quel qu'en soit la taille, l'exploitation ou le budget. En fait, ni n'offre plus de modèles, de tailles et d'applications de fours que Blodgett. À gaz et électriques. De tailles différentes, sur plan de travail et superposables. Qu'il s'agisse de fours à convection, des modèles Cook'n Hold et Combi-Oven, ou de la gamme de fours à pizzas de la plus haute qualité offerte sur le marché. Pour de plus amples informations sur la gamme complète de fours Blodgett, veuillez contacter votre représentant Blodgett.

Your Service Agency's Address:
Adresse de votre agence de service:



Model/Modèle:

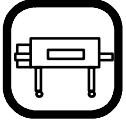
Serial Number/Numéro de série:

Your oven was installed by/
Installateur de votre four:

Your oven's installation was checked by/
Contrôleur de l'installation de votre four:

Table of Contents/Table des Matières

<p>Introduction</p> <p>Oven Description and Specifications 2</p> <p>Oven Components 3</p> <p>Installation</p> <p>Delivery and Inspection 4</p> <p>Oven Location and Ventilation 5</p> <p>Oven Assembly 6</p> <p> Oven Supports and Casters 6</p> <p> Return Air Diverters 7</p> <p> Nozzles 7</p> <p> Folding Conveyor 8</p> <p> End Plugs 9</p> <p> Crumb Pans 9</p> <p> Remote Computer Control 9</p> <p>Utility Connections – Standards and Codes 10</p> <p>Gas Connection 11</p> <p>Electrical Connection 14</p> <p>Operation</p> <p>Safety Information 15</p> <p>Cooking Computer 16</p> <p>Oven Adjustments for Cooking 18</p> <p>Maintenance</p> <p>Cleaning 19</p> <p>Control Box Component Locations 22</p> <p>Troubleshooting Guide 23</p>	<p>Introduction</p> <p>Description et Spécifications du Four 26</p> <p>Éléments du Four 27</p> <p>Installation</p> <p>Livraison et Inspection 28</p> <p>Implantation et aération du four 29</p> <p>Montage du Four 30</p> <p> Les Supports du Four et les Roulettes . 30</p> <p> Déviateurs de l’Air en Retour 31</p> <p> Les Buses 31</p> <p> Bande Transporteuse Repliable 32</p> <p> Les Arrêtoir 33</p> <p> Plateaux pour Miettes 33</p> <p> L’Ordinateur de Cuisson Détaché 33</p> <p>Branchements de Service – Normes et Codes 34</p> <p>Branchement de Gaz 35</p> <p>Raccordement Électrique 38</p> <p>Utilisation</p> <p>Informations de Sécurité 39</p> <p>L’Ordinateur de Cuisson 40</p> <p>Ajustements du Four Pour la Cuisson . . . 42</p> <p>Entretien</p> <p>Nettoyage 44</p> <p>Emplacements des Composants du Boîtier de Commande 47</p> <p>Guide de Détection des Pannes 48</p>
---	---



Introduction

Oven Description and Specifications

Cooking in a conveyor oven differs from cooking in a conventional deck or range oven since heated air is constantly recirculated over the product by a fan in an enclosed chamber. The moving air continually strips away the layer of cool air surrounding the product, quickly allowing the heat to penetrate. The result is a high quality product, cooked at a lower temperature in a shorter amount of time.

Blodgett conveyor ovens represent the latest advancement in energy efficiency, reliability, and ease of operation. Heat normally lost, is recirculated within the cooking chamber before being vented from the oven: resulting in substantial reductions in energy consumption, a cooler kitchen environment and enhanced oven performance.

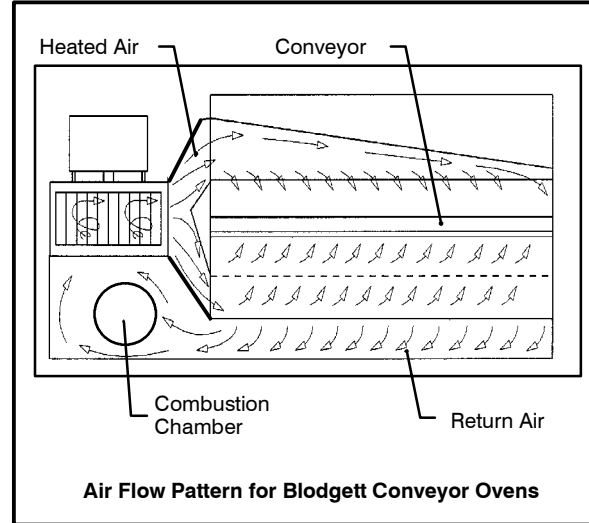
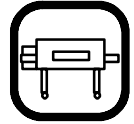


Figure 1

SPECIFICATIONS	MT3855G-G
Belt Width	38" (96.5 cm)
Cooking Zone Length	55" (139.7 cm)
Baking Area	14.5 Sq. Ft. (1.3 m ²)
Dimensions (single unit)	91" x 58" x 44" (231 cm x 147 cm x 112 cm)
Maximum Input	150,000 BTU/Hr. (43.9 kW) (158 MJ)
Maximum Operating Temperature	600°F (315°C)
Power Supply	<p>U.S. and Canadian installations: 120/208-240VAC, 60Hz., 1Φ, 9 Amp, 3 wire with ground</p> <p>Australia and General Export installations: 220-240VAC, 50Hz., 1Φ, 9 Amp, 3 wire with ground</p>
Gas Supply	<p>Natural Gas: 4.5" W.C. (1.1 kPa) minimum 10.5" W.C. (2.61 kPa) maximum</p> <p>Propane: 11.0" W.C. (2.74 kPa) minimum 13.0" W.C. (3.2 kPa) maximum</p>
Product Clearance	3.0" (7.6 cm)
Gas Supply Connection	3/4" (1.9 cm)



Oven Components

Folding Conveyor Assembly – stainless steel chain link (conveyor) belt and support that carries product through the oven.

Control Box – contains electrical wiring, cooling fan, drive motor and drive chain.

Drive Motor – provides power to move the conveyor belt. Located inside the control box.

Drive Chain – connects the drive motor sprocket to the drive side of the conveyor assembly. Located inside the control box.

Baking Chamber – products pass through the baking chamber on the conveyor belt for cooking.

Nozzles – distribute heated air to the bottom of the baking chamber. Located inside the oven, under the conveyor belt.

Nozzle Hold-Down Bracket – holds the front end of the nozzles in position. Located inside the oven.

Return Air Diverters – divert return air from baking chamber back to the combustion chamber. Ensure even baking throughout oven. Located inside the oven, beneath the nozzles.

End Plugs – keep heat in the baking chamber. Located on each end above and below the conveyor belt.

Crumb Pan – catches crumbs from products on the conveyor. Located under conveyor belt at both ends of the baking chamber.

Pull Down Door – open for auxiliary product insertion.

Air Flow Plates (2, drive and idle sides) – distribute heated air to top of baking chamber. Located inside of oven at the top of baking chamber.

Emergency Shut Down Switch – allows user to turn oven and conveyor off in an emergency. **Do not use for general shut down.**

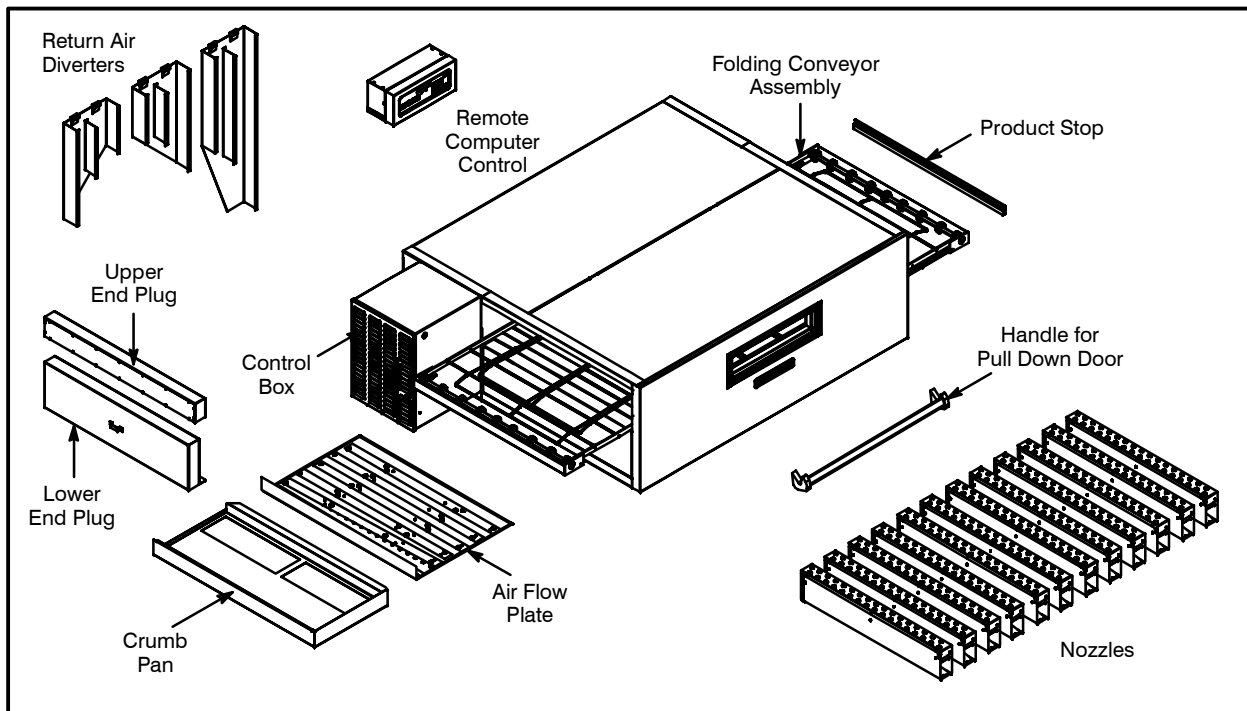


Figure 2



Installation

Delivery and Inspection

All Blodgett ovens are shipped in containers to prevent damage. Upon delivery of your new oven:

- Inspect the shipping container for external damage. Any evidence of damage should be noted on the delivery receipt which must be signed by the driver.
- Uncrate the oven and check for internal damage. Carriers will accept claims for concealed damage if notified within fifteen days of delivery and the shipping container is retained for inspection.

The Blodgett Oven Company cannot assume responsibility for loss or damage suffered in transit. The carrier assumed full responsibility for delivery in good order when the shipment was accepted. We are, however, prepared to assist you if filing a claim is necessary.

The oven can now be moved to the installation site. Check the following list with Figure 2 on page 3 to be sure all items were received.

Part Description	Qty.
Main oven body	1
Oven support with casters (2 locking, 2 non-locking)	4*
Folding conveyor belt assembly	1
Remote oven control with cables	1
Upper end plug assembly	2
Lower end plug assembly	2
Crumb pan	2
Nozzles	12

Part Description	Qty.
Door handle	1
Air flow plate removal handle	1*
Packet containing: 3/8"-16 bolts, flat & lock washers (for oven supports)	1*
Packet containing: (2) glass DC fuses	1*
Owner's manual	1*
Return air diverter, left side	1
Return air diverter, left side inner	1
Return air diverter, right side	1

NOTE: * – not shown in Figure 2.



Oven Location and Ventilation

LOCATION

The well planned and proper placement of your oven will result in long term operator convenience and satisfactory performance.

The following clearances must be maintained between the oven and any combustible or non-combustible construction.

- Oven body sides – 20” (58.8cm)
- Oven body back – 0” (0cm)

The following clearances must be available for servicing.

- Oven body sides – 38” (96.5cm)
- Oven body back – 28” (71cm)

NOTE: *On gas models, routine servicing can usually be accomplished within the limited movement provided by the gas hose restraint. If the oven needs to be moved further from the wall, the gas must first be turned off and disconnected from the oven before removing the restraint. Reconnect the restraint after the oven has been returned to its regular position.*

It is essential that an adequate air supply to the oven be maintained to provide a sufficient flow of combustion and ventilation air.

- Place the oven in an area that is free of drafts.
- Keep the oven area free and clear of all combustibles such as paper, cardboard, and flammable liquids and solvents.
- Do not place the oven on a curb base or seal to a wall. This will restrict the flow of air and prevent proper ventilation to the blower motors. This condition must be corrected to prevent permanent damage to the oven.

VENTILATION

On gas models the necessity for a properly designed and installed ventilation system cannot be over emphasized. This system allows the oven to function properly while removing unwanted vapors and products of combustion from the operating area.

This oven must be vented with a properly designed mechanically driven exhaust hood. The hood should be sized to completely cover the equipment plus an overhang of at least 6” (15cm) on all sides not adjacent to a wall. The distance from the floor to the lower edge of the hood should not exceed 7’ (2.1m). The capacity of the hood should be sized appropriately and provisions should be made for adequate makeup air.

U.S. and Canadian installations

Refer to your local ventilation codes. In the absence of local codes, refer to the *National ventilation code titled, “Standard for the Installation of Equipment for the Removal of Smoke and Grease Laden Vapors from Commercial Cooking Equipment”, NFPA-96-Latest Edition.*

Australia and general export installations

Installation must conform with Local and National installation standards. Local installation codes and/or requirements may vary. If you have any questions regarding the proper installation and/or operation of your Blodgett oven, please contact your local distributor. If you do not have a local distributor, please call the Blodgett Oven Company at 0011-802-860-3700.



WARNING:

Failure to properly vent the oven can be hazardous to the health of the operator and may result in operational problems, unsatisfactory baking and possible damage to the equipment.

Damage sustained as a direct result of improper ventilation will not be covered by the Manufacturer’s warranty.



Installation

Oven Assembly

OVEN SUPPORTS AND CASTERS

1. Bolt the supports to the oven with 3/8-16 hex head bolts.

NOTE: Install the locking casters on the front of the oven.

2. Carefully place the oven onto casters. Have several persons lift the oven off the pallet and set it onto the casters.
3. Engage the brakes on the front casters.

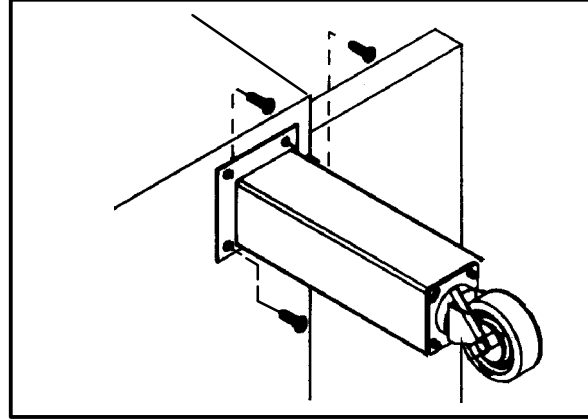


Figure 3

Oven Assembly

RETURN AIR DIVERTERS

1. Lift the front end of the diverter and slide the clips up and behind the oven's rear wall.
2. Lower the front end and slide the diverter into place. The diverters must be installed in the correct order. See Figure 4.

NOTE: Be sure the edges of the left and right diverters line up with the cutout in the rear oven wall.

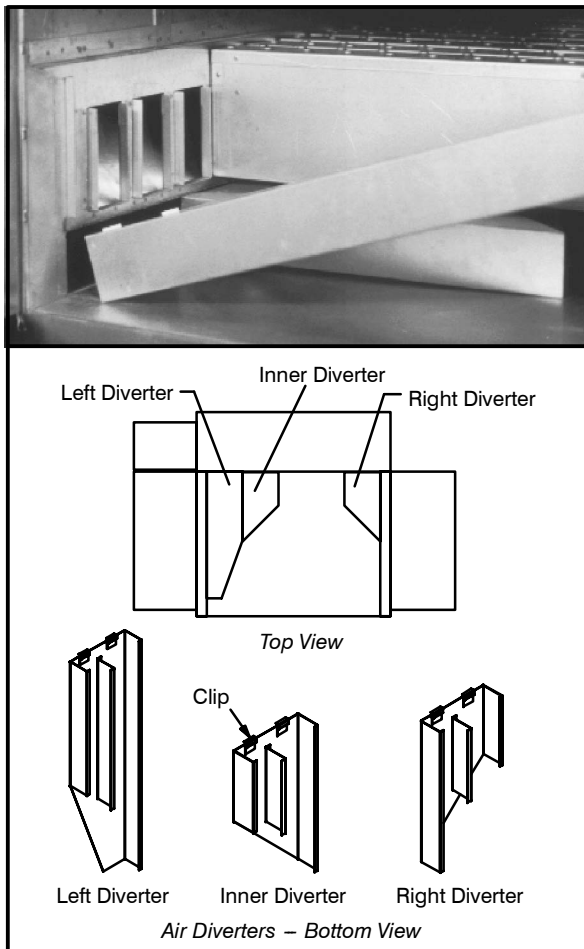


Figure 4

NOZZLES

1. Install the nozzles from center of the oven working towards the ends. Make sure the bottom of the air nozzle fits into the slot in the nozzle support located at the front of the oven. See Figure 5 for correct nozzle location.
2. Secure the nozzle hold-down strip across the inside front of the oven using the existing screws located on the oven wall.

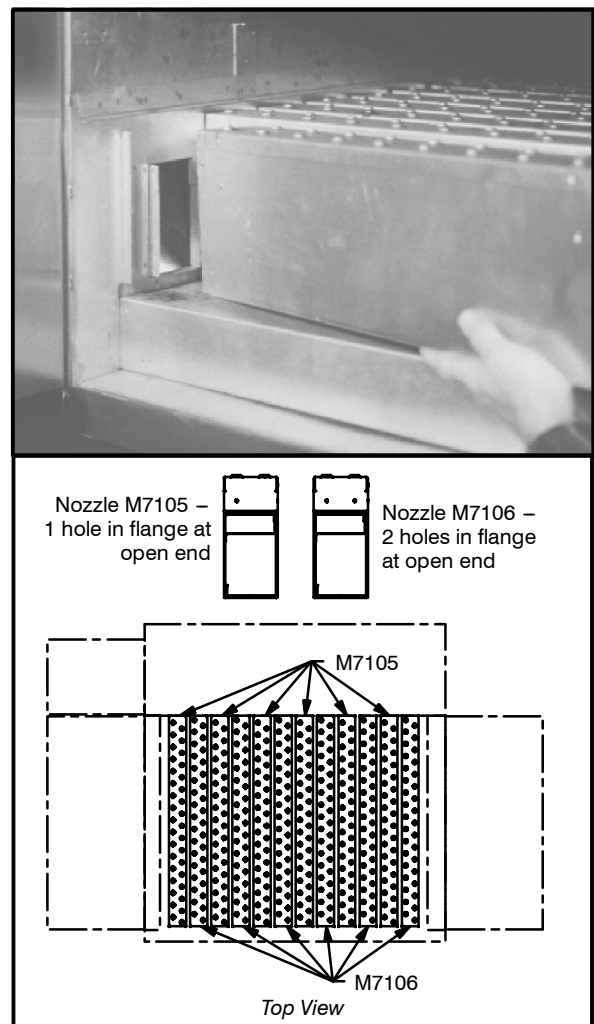


Figure 5



Installation

Oven Assembly

FOLDING CONVEYOR

The folding conveyor assembly must be installed from the control box side of the oven.

1. Unfold the right side of the conveyor.
2. Push the conveyor into the support tracks. See Figure 6. **Be careful to avoid hitting the red emergency off switch on the side of the control box.**
3. Unfold the left side of the conveyor and continue to push into the support tracks.
4. Insert the conveyor in beyond the normal resting position.
5. Install the drive chain around the drive motor sprocket and the conveyor sprocket. See Figure 7.

NOTE: Figure 7 shown without chain guard and control box cover for clarity.

6. Pull the conveyor back out of the oven until the 1/4-20 thumb screw can be installed through the conveyor support and into the control box. See Figure 8.

NOTE: If the mounting hole cannot be lined up or the chain is too loose, the drive motor will need to be repositioned.

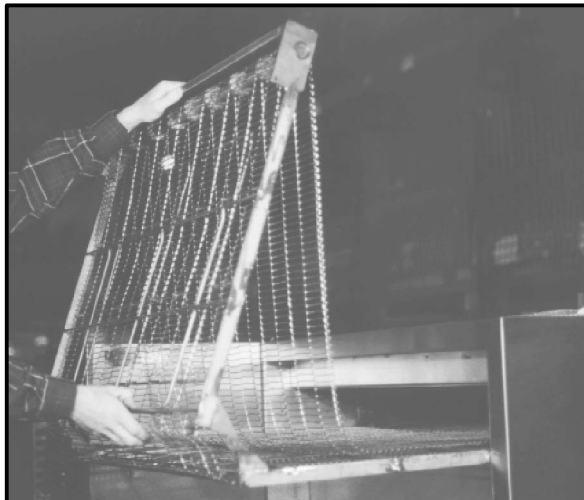


Figure 6

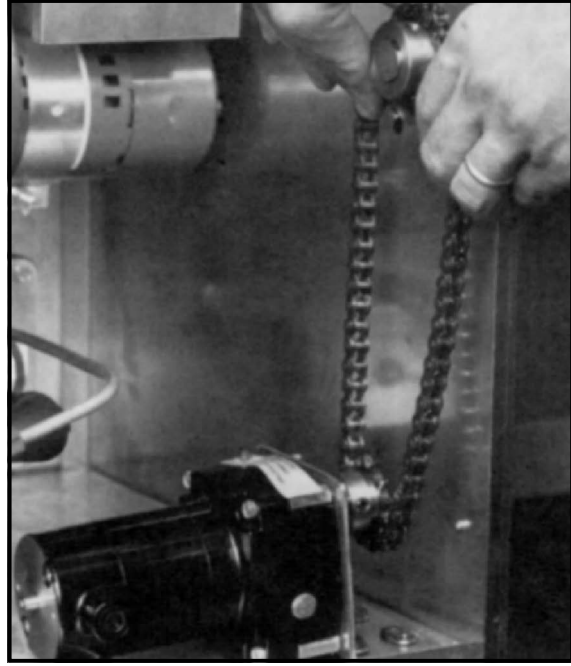


Figure 7



Figure 8



Oven Assembly

END PLUGS

1. Install the upper end plugs on both ends of the oven. See Figure 9. Secure the upper end plugs with two wing nuts on the bottom of each plug.

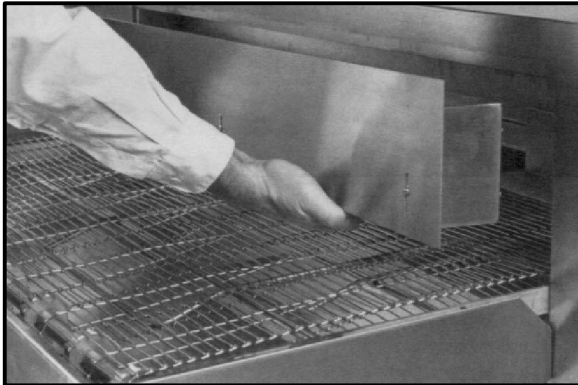


Figure 9

2. Install the lower end plugs on both ends of the oven. See Figure 10.

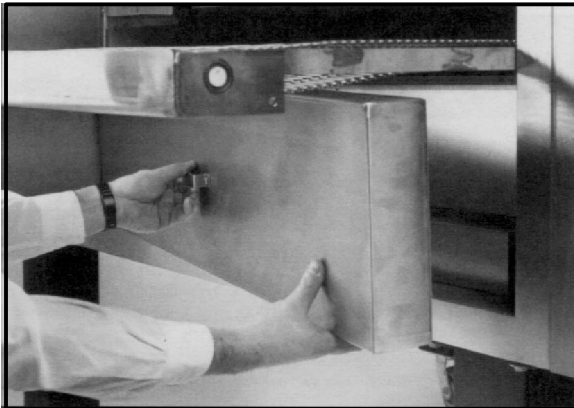


Figure 10

CRUMB PANS

1. Install the crumb pans under each end of the conveyor as shown in Figure 11.

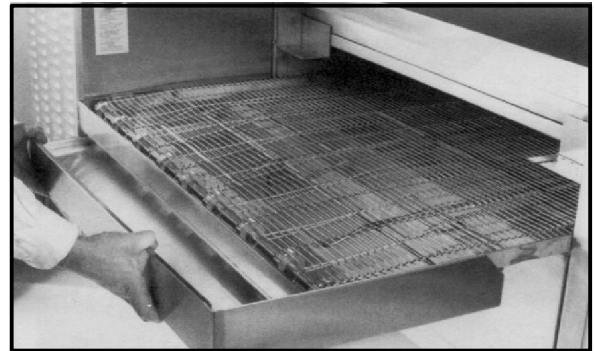


Figure 11

REMOTE COMPUTER CONTROL

1. Drill the mounting holes for the cooking computer support base.
2. Mount the support base and cable support bracket to the wall.
3. Stack the cooking computer(s) on the support base. Connect the cables at the rear of the controller.
4. Secure the cables to the cable clamp support bracket and to the rear of the oven using cable clamps and screws.

NOTE: DO NOT overtighten the cable clamps. Damage to the wires may occur causing the computer to fail.

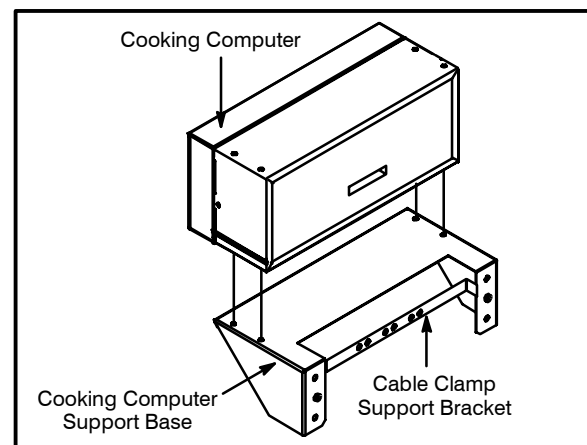


Figure 12



Installation

Utility Connections – Standards and Codes

THE INSTALLATION INSTRUCTIONS CONTAINED HEREIN ARE FOR THE USE OF QUALIFIED INSTALLATION AND SERVICE PERSONNEL ONLY. INSTALLATION OR SERVICE BY OTHER THAN QUALIFIED PERSONNEL MAY RESULT IN DAMAGE TO THE OVEN AND/OR INJURY TO THE OPERATOR.

Qualified installation personnel are individuals, a firm, a corporation, or a company which either in person or through a representative are engaged in, and responsible for:

- the installation or replacement of gas piping and the connection, installation, repair or servicing of equipment.
- the installation of electrical wiring from the electric meter, main control box or service outlet to the electric appliance.

Qualified installation personnel must be experienced in such work, familiar with all precautions required, and have complied with all requirements of state or local authorities having jurisdiction.

U.S. and Canadian installations

Installation must conform with local codes, or in the absence of local codes, with the *National Fuel Gas Code, NFPA54/ANSI Z223.1 – Latest Edition, the Natural Gas Installation Code CAN/CGA-B149.1 or the Propane Installation Code, CAN/CGA-B149.2* as applicable.

All ovens, when installed, must be electrically grounded in accordance with local codes, or in the absence of local codes, with the *National Electrical Code, ANSI/NFPA 70 – Latest Edition and/or Canadian National Electric Code C22.2* as applicable.

Australia and general export installations

Installation must conform with Local and National installation standards. Local installation codes and/or requirements may vary. If you have any questions regarding the proper installation and/or operation of your Blodgett oven, please contact your local distributor. If you do not have a local distributor, please call the Blodgett Oven Company at 0011-802-860-3700.



The Australian Gas Association

Gas Connection

GAS PIPING

A properly sized gas supply system is essential for maximum oven performance. Piping should be sized to provide a supply of gas sufficient to meet the maximum demand of all appliances on the line without loss of pressure at the equipment.

Example:

NOTE: BTU values in the following example are for natural gas.

You purchase a MT3855G-G conveyor oven to add to your existing cook line.

1. Add the BTU rating of your current appliances.

Pitco Fryer	120,000 BTU
6 Burner Range	60,000 BTU
Deck Oven	<u>50,000 BTU</u>
Total	230,000 BTU

2. Add the BTU rating of the new oven to the total.

Previous Total	230,000 BTU
MT3855G-G	<u>150,000 BTU</u>
New Total	380,000 BTU

3. Measure the distance from the gas meter to the cook line. This is the pipe length. Let's say the pipe length is 20' (6.1 m) and the pipe size is 1" (2.54 cm).

4. Use the appropriate table to determine the total capacity of your current gas piping.

The total capacity for this example is 465,000 BTU. Since the total required gas pressure, 380,000 BTU is less than 465,000 BTU, the current gas piping will not have to be increased.

NOTE: The BTU capacities given in the tables are for straight pipe lengths only. Any elbows or other fittings will decrease pipe capacities. Contact your local gas supplier if you have any questions.

Maximum Capacity of Iron Pipe in Cubic Feet of Natural Gas Per Hour
(Pressure drop of 0.5 Inch W.C.)

Pipe Length (ft)	Nominal Size, Inches				
	3/4"	1"	1-1/4"	1-1/2"	2"
10	360	680	1400	2100	3950
20	250	465	950	1460	2750
30	200	375	770	1180	2200
40	170	320	660	990	1900
50	151	285	580	900	1680
60	138	260	530	810	1520
70	125	240	490	750	1400
80	118	220	460	690	1300
90	110	205	430	650	1220
100	103	195	400	620	1150

From the National Fuel Gas Code Part 10 Table 10-2

Maximum Capacity of Pipe in Thousands of BTU/hr of Undiluted P.P. Gas at 11" W.C.
(Pressure drop of 0.5 Inch W.C.)

Pipe Length (ft)	Outside Diameter, Inches		
	3/4"	1"	1-1/2"
10	608	1146	3525
20	418	788	2423
30	336	632	1946
40	287	541	1665
50	255	480	1476
60	231	435	1337
70	215	404	1241
80	198	372	1144
90	187	351	1079
100	175	330	1014

From the National Fuel Gas Code Part 10 Table 10-15



Installation

Gas Connection

PRESSURE REGULATION AND TESTING

MT3855G-G ovens are rated at 150,000 BTU/Hr. (43.9 kW) (158 MJ) Each oven has been adjusted at the factory to operate with the type of gas specified on the rating plate attached to the left side of the control panel.

Each oven is supplied with a regulator to maintain the proper gas pressure. **The regulator is essential to the proper operation of the oven and should not be removed.** It is preset to provide the oven with 3.5" W.C. (0.87 kPa) for natural gas and 10.5" W.C. (2.50 kPa) for Propane while the flame is on. The regulator is located on top of the gas valve, between the manual shutoff and solenoid valves.

DO NOT INSTALL AN ADDITIONAL REGULATOR WHERE THE OVEN CONNECTS TO THE GAS SUPPLY UNLESS THE SUPPLY EXCEEDS THE MAXIMUM PRESSURE.

NOTE: The minimum gas supply pressure to the oven is 4.5" W.C. (1.1 kPa) for natural gas and 11.0" W.C. (2.74 kPa) for Propane gas. The maximum gas supply pressure to the oven is 10.5" W.C. (2.61 kPa) for natural gas and 13" W.C. (3.2 kPa) for Propane gas.

Installation must conform with local codes, or in the absence of local codes, with the *National Fuel Gas Code, NFPA54/ANSI Z223.1 – Latest Edition, the Natural Gas Installation Code CAN/CGA-B149.1 or the Propane Installation Code, CAN/CGA-B149.2* as applicable.

The oven and its individual shutoff valve must be disconnected from the gas supply piping system during any pressure testing of that system at test pressures in excess of 1/2 psig (3.45kPa).

The oven must be isolated from the gas supply piping system by closing its individual manual shutoff valve during any pressure testing of the gas piping system at test pressures equal or less than 1/2 psig (3.45kPa).

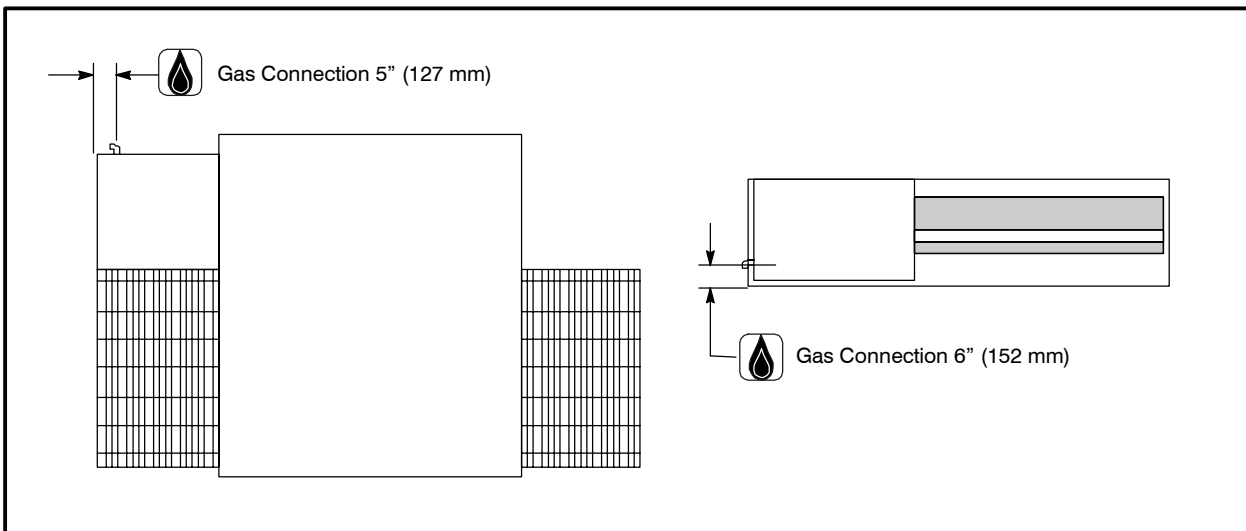


Figure 13

Gas Connection

GAS HOSE RESTRAINT

If the oven is mounted on casters, a commercial flexible connector with a minimum of 3/4" (1.9 cm) inside diameter must be used along with a quick connect device.

The restraint, supplied with the oven, must be used to limit the movement of the unit so that no strain is placed upon the flexible connector. The restraint should be fastened to the base frame of the oven as close to the flexible connector as possible. It should be short enough to prevent any strain on the connector. With the restraint fully stretched the connector should be easy to install and quick connect.

The restraint (ie: heavy gauge cable) should be attached without damaging the building. **DO NOT** use the gas piping or electrical conduit for the attachment of the permanent end of the restraint! Use anchor bolts in concrete or cement block. On wooden walls, drive hi test wood lag screws into the studs of the wall.

 **WARNING!!**

If the restraint is disconnected for any reason it must be reconnected when the oven is returned to its original position.

U.S. and Canadian installations

The connector must comply with the *Standard for Connectors for Movable Gas Appliances, ANSI Z21.69* or *Connectors For Moveable Gas Appliances CAN/CGA-6.16* and a quick disconnect device that complies with the *Standard for Quick-Disconnect Devices for Use With Gas Fuel, ANSI Z21.41* or *Quick Disconnect For Use With Gas Fuel CAN 1-6.9*. Adequate means must be provided to limit the movement of the appliance without depending on the connection and the quick disconnect device or its associated piping.

A drip leg must be used at each appliance. Refer to *NFPA54/ANSI Z223.1 - Latest Edition* (National Fuel Gas Code) for proper drip leg installation.

Australia and general export installations

The restraint and quick connect must conform with Local and National installation standards. Local installation codes and/or requirements may vary. If you have any questions regarding the proper installation and/or operation of your Blodgett oven, please contact your local distributor. If you do not have a local distributor, please call the Blodgett Oven Company at 0011-802-860-3700.

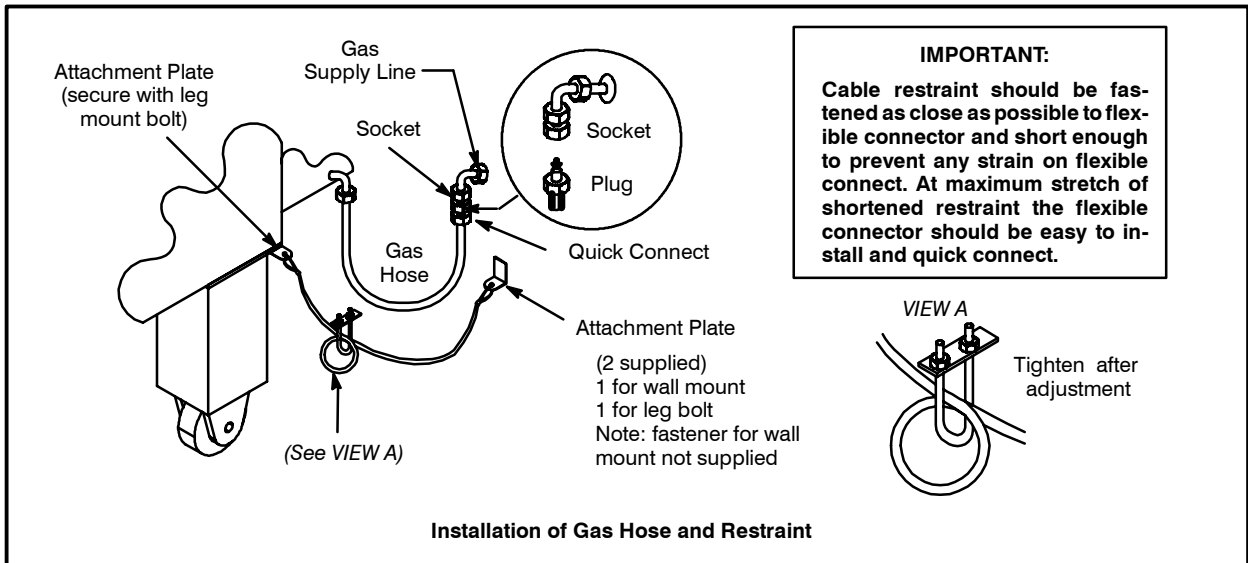


Figure 14



Installation

Electrical Connection

Before making any electrical connections to this unit, check that the power supply is adequate for the voltage, amperage, and phase requirements stated on the rating plate.

NOTE: The rating plate is located on the control box.

A wiring diagram accompanies this manual and is also attached inside the control box.

U.S. and Canadian installations

The MT3855 requires a 15 Amp, 60HZ, 1 Φ , 208-240VAC, 4 wire service consisting of L1, L2, neutral and ground. Use 90°C wire and size to National Electric or local codes.

Single phase units **MUST NOT** be connected to the high leg of a three phase system. The high leg refers to a potential of 240 volts between one phase and neutral. The remaining two legs have a potential of 120 volts between each phase and neutral.

Connect the four wires at the connections box located on the lower left side of the control panel

1. Connect the two black wires to the 208-240 volt power source.
2. Connect the white wire to the system neutral.
3. Connect the green wire to the system ground.

Australia and general export installations

The MT3855 requires a 15 Amp, 50Hz, 1 Φ , 220-240 VAC, 3 wire service consisting of L1, neutral and ground. Use 90°C wire and size wire according to local codes.



WARNING!!

Incorrect single phase wiring will result in extensive damage to electrical components and possible fire in the control box.

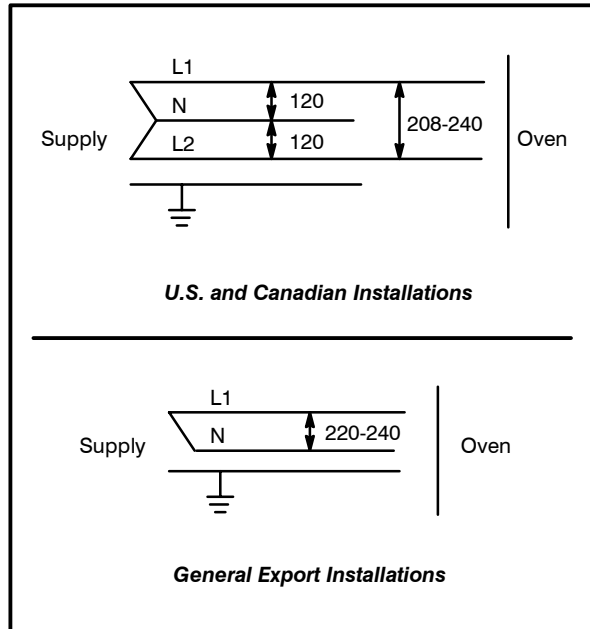


Figure 15

THE BLODGETT OVEN COMPANY CANNOT ASSUME RESPONSIBILITY FOR LOSS OR DAMAGE SUFFERED AS A RESULT OF IMPROPER INSTALLATION.



THE INFORMATION CONTAINED IN THIS SECTION IS PROVIDED FOR THE USE OF QUALIFIED OPERATING PERSONNEL. QUALIFIED OPERATING PERSONNEL ARE THOSE WHO HAVE CAREFULLY READ THE INFORMATION CONTAINED IN THIS MANUAL, ARE FAMILIAR WITH THE FUNCTIONS OF THE OVEN AND/OR HAVE HAD PREVIOUS EXPERIENCE WITH THE OPERATION OF THE EQUIPMENT DESCRIBED. ADHERENCE TO THE PROCEDURES RECOMMENDED HEREIN WILL ASSURE THE ACHIEVEMENT OF OPTIMUM PERFORMANCE AND LONG, TROUBLE-FREE SERVICE.

Please take the time to read the following safety and operating instructions. They are the key to the successful operation of your Blodgett conveyor oven.



SAFETY TIPS

For your safety read before operating

What to do if you smell gas:

- DO NOT try to light any appliance.
- DO NOT touch any electrical switches.
- Use an exterior phone to call your gas supplier immediately.
- If you cannot reach your gas supplier, call the fire department.

What to do in the event of a power failure:

- Turn all switches to off.
- DO NOT attempt to operate the oven until the power is restored.

NOTE: In the event of a shut-down of any kind, allow a five (5) minute shut off period before attempting to restart the oven.

What to do for emergency shut down:

- For ovens with remote control, the unit is equipped with an emergency shut down switch. Should you need to stop the belt, fans, or heat press the emergency switch. DO NOT use the emergency switch as a general on/off switch.

General safety tips:

- DO NOT use tools to turn off the gas control. If the gas cannot be turned off manually do not try to repair it. Call a qualified service technician.
- If the oven needs to be moved for any reason, the gas must be turned off and disconnected from the unit before removing the restraint cable. Reconnect the restraint after the oven has been returned to its original location.
- DO NOT remove the control box cover unless the oven is unplugged.



Operation

Cooking Computer

CONTROL DESCRIPTION

1. DIGITAL DISPLAY – displays the time, temperature and controller related information.
2. OVEN ON/OFF – controls power to the oven.
3. NUMERIC KEYS – used to enter numbers in the programming mode.
4. CLEAR KEY – clears the display if an error is made in the programming mode.
5. SET TEMP KEY – press to view or program the temperature setpoint.
6. ACT TEMP KEY – press to view the current oven temperature.
7. TIME KEY – press to view or program the cook time.
8. PROG/ENTER KEY – press to enter and exit the programming mode and lock in programmed settings.
9. STATUS LAMPS – when lit indicate the fan or burners are operating.

PROGRAMMING

Programming the Cook Time:

1. Press the PROGRAM/ENTER key (8).
2. Press the TIME key (7). The display reads *SET • TIME-?*.
3. Use the NUMERIC keys (3) to enter the desired cook time. If an error is made, press the CLEAR key (4) and re-enter the number.
4. Press the PROGRAM/ENTER key (8) to store the new cook time in the computer's memory.

Programming the Temperature:

1. Press the PROGRAM/ENTER key (8).
2. Press the SET TEMP key (5). The display reads *SET • TEMP-?*.
3. Use the NUMERIC keys (3) to enter the desired temperature set point. If an error is made, press the CLEAR key (4) and re-enter the number.
4. Press the PROGRAM/ENTER key (8) to store the new temperature setpoint in the computer's memory.

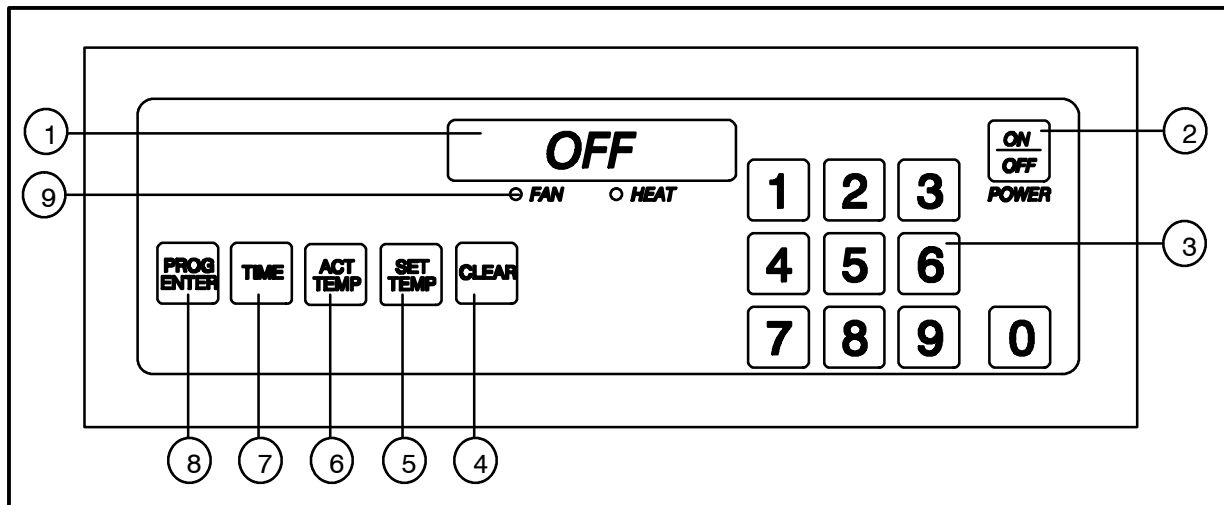


Figure 16

OPERATION

To turn the oven on:

1. Turn the manual gas valve to ON. (Gas models only)
2. Press and hold the ON/OFF key (2). The display reads *OFF* when the oven is idle.
3. The STATUS LAMPS (9) light. The fans begin to run. The heat rises to the temperature setting stored in the computer's memory. The conveyor belt begins to travel at the speed stored in memory.
4. The display flashes *WAIT • LOW • SET • TIME • mmss* until the oven reaches the programmed bake temperature.
5. The display reads *READY* and the HEAT lamp (9) goes out. The oven is now ready to accept product.

To view the cook time setting:

1. Press the TIME key (7). The LED on the key lights and the display flashes *SET • TIME • mmss*.

To display the actual oven temperature:

1. Press the ACT TEMP key (6). The LED on the key lights and the display flashes *ACTUAL • nnn°F*.

To view the temperature set point:

1. Press the SET TEMP key (5). The LED on the key lights and the display flashes *SET • TEMP • nnn°F*.

To turn the oven off:

1. Press the ON/OFF key (2). The oven is equipped with a cool-down feature for motor shaft and bearing protection. This enables the blower motor(s) to run regardless of the controller status. The blower(s) continue to run until the oven cools to a safe temperature.

DISPLAY INFORMATION

WAIT • LOW – the present oven temperature is lower than the set point temperature. When the oven reaches the set point temperature the display changes to *READY*.

READY – the oven is ready to accept product.

SET • TIME • mmss – the current cook time setting.

HIGH • TEMP – the temperature is above the set point. Wait until the display reads ready before loading product.

HIGH • TEMP • LIMIT – the oven temperature exceeds the high limit. The Over Temperature Alarm buzzer sounds. Shut the oven off and wait for the unit to cool down.

HIGH • TEMP • PANEL – the control area reaches an excessive temperature. Shut the oven off and wait for the unit to cool down.

PROBE • OPEN • PROBE • SHORT – the temperature sensor has failed. The Alarm buzzer sounds. Shut the oven off and contact a service representative.



Operation

Oven Adjustments for Cooking

The combination of belt time, oven temperature, and air flow are important for achieving quality results from your Blodgett conveyor oven. Use the following guidelines to adjust the belt time and oven temperature of your unit. For questions regarding further oven adjustments, please contact your local Blodgett Sales Representative for assistance.

CONVEYOR SPEED AND OVEN TEMPERATURE

Conveyor belt speed (cook time) and oven temperature are the two variables used when fine tuning your oven for a specific product. To determine the optimum bake time and temperature, make small changes for each trial and keep one variable constant. For example, if the oven temperature is 460°F (238°C) and the belt speed is 7 minutes, but the pizza is not browned enough, increase the temperature to 475°F (246°C) and keep the belt speed the same. However, if the center of the pizza is not completely cooked, keep the oven temperature the same, and increase the bake time to 7 minutes and 30 seconds. In general, raise the bake temperature to increase browning, and lengthen the belt time to increase doneness.

FINISHED PRODUCT TEMPERATURES

Internal temperatures of the cooked products should be measured immediately after the product exits the cooking chamber to ensure a safe food temperature. Internal pizza temperatures should be over 165°F (74°C). Minimum temperature guidelines vary depending on the food items.

AIR FLOW ADJUSTMENTS

Slide the product clearance adjustment plates to the lowest possible setting for your menu items. Lowering the clearance plates will reduce the amount of hot air escaping from the chamber openings.

Most often, the ideal oven settings can be dialed in without making any changes to the airplate. The oven configuration should not be modified unless the oven time and temperature adjustments have proven unsuccessful.

Air flow adjustments may be necessary to fine tune the oven for your particular product. The air plate, located at the top of the baking chamber, contains holes that can be covered using Block-off Plates. The plates can easily be adjusted to regulate the air flow for your particular needs. Use the following guidelines to adjust the Block-off Plates.

1. Ensure the oven is Off and completely cooled.
2. Remove both upper end plugs. Loosen the wing nuts on the bottom of each end plug.
3. Loosen the wing screws holding the air plate retainers in place. Remove the four wing screws from the control box end of the oven. Slide the air plates straight out from both ends of the oven.
4. Remove the wing nuts, screws, and washers holding the Block-off Plates.
5. Adjust the plates.
6. Replace the wing nuts, screws, and washers to tightly secure the Block-off plates in their new locations. Make a sketch of the final air-plate setup for future reference.

NOTE: One or two block-off plates may be left off entirely if appropriate to obtain the desired results.

7. Replace the air plate and upper end plugs.

The following examples illustrate air flow regulation.

NOTE: The first half of the oven chamber greatly affects the initial baking of the product, while the last half largely affects the browning.

- A good bake time and temperature have been established, but more top browning is desired. Slide one of the Block-off Plates to uncover a row of holes toward the exit end of the oven.
- The bottom of the pizza is golden brown, but the top is too dark. Close rows at the exit end of the oven to reduce final browning.
- The center of the pizza is still doughy and the toppings are not fully cooked. Open up rows at the chamber entrance and close rows at the chamber exit.



WARNING!!

Always disconnect the power supply before cleaning or servicing the oven.



WARNING!!

If the oven needs to be moved, the gas must be turned off and disconnected from the unit before removing the restraint. Reconnect the restraint after the oven has been returned to its original location.

Follow this recommended cleaning schedule for proper oven performance.

Daily:

1. Clean the conveyor belt using a wire brush. Allow any foreign material to drop into the crumb pans.
2. Remove the product stop and both crumb pans from the ends of the conveyor.
3. Empty and clean the crumb pans with a hot water/detergent mix. Rinse with clean water.

Every Three Months:

1. Unplug the 220V power cord.
2. Disconnect the gas. Be sure that the oven control cables have 2-3 feet of slack
3. Clean the cooling fan louvers on both sides of the oven with a soft brush.

Every Six Months:

1. Remove the product stop and both crumb pans from the ends of the conveyor.
2. Remove both upper end plugs. Loosen the wing nuts on the bottom of each end plug.

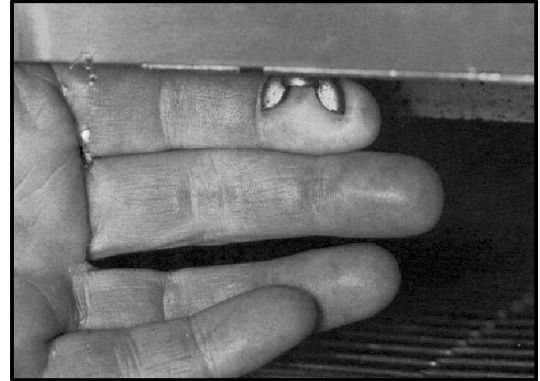


Figure 17

3. Remove the air plates as follows:
 - a.) Loosen the wing screws holding the air plate retainers in place. Remove the four wing screws from the control box end of the oven.



Figure 18

- b.) Slide the air plates straight out from both ends of the oven.



Figure 19



Maintenance

Cleaning

4. Remove both lower end plugs.
5. Remove the conveyor assembly as follows:
 - a.) Remove the 1/4" thumb screw holding the conveyor to the control box.
 - b.) Slide the conveyor into the oven slightly. Remove the drive chain from the conveyor drive sprocket.
 - c.) Slide the conveyor assembly out from the control box end.

NOTE: Raise the far end of the conveyor to clear the conveyor guides. Handle the conveyor carefully to avoid pinching while folding.

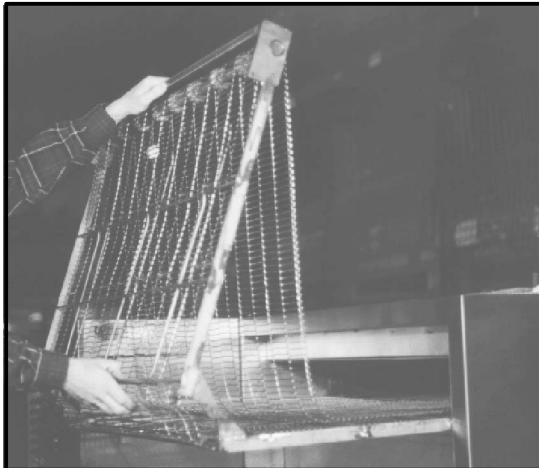


Figure 20

6. Remove the nozzles as follows:
 - a.) Remove the bolt from the hold down bracket. Lift the bracket straight up and slide out either end of the oven.

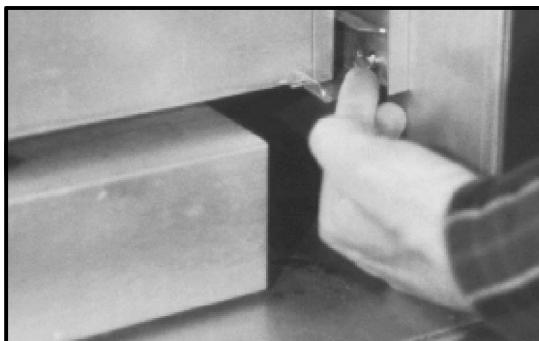


Figure 21

- b.) Push the nozzles toward the back wall of the oven. Lift the front end and turn it toward you slipping the back end from the duct.



Figure 22

7. Remove the return air diverters. Lift the front end of each diverter. Slide the end clips from under the outer edge of the oven's back wall.

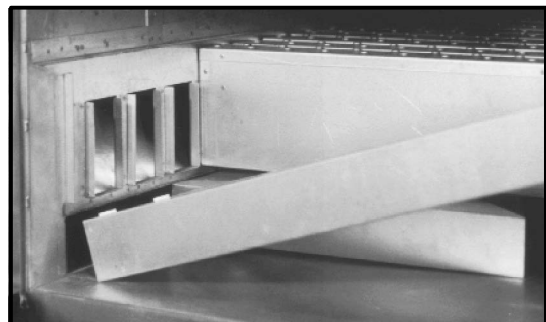


Figure 23

8. Soak the conveyor assembly in a hot water/detergent mix.
9. Clean the crumb pans, nozzles, air plates, diverters and end plugs with a hot water/detergent mix. Rinse with clean water. For difficult cleaning use a heavy duty degreaser or oven cleaner that is safe for aluminum.

NOTE: DO NOT immerse the end plugs. They contain insulation.
10. Clean the oven interior with an all purpose cleaner or an oven cleaner that is safe for aluminum.

Cleaning

11. Move the oven to clean underneath. **DO NOT** damage the gas hose or electrical cords when moving.
12. Reverse steps 1–7 to reassemble. Be sure the diverters and nozzles are installed correctly. Refer to Figure 24.

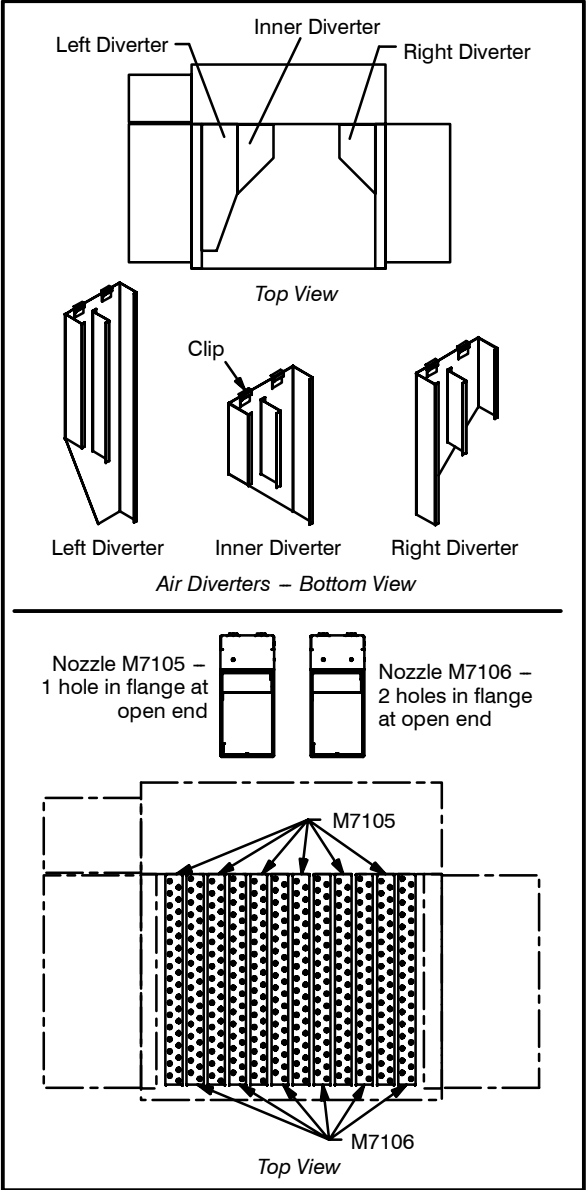


Figure 24

Every 12 Months:

A factory authorized service person should:

1. Open and clean the inside of the control panel.
2. Check and tighten all electrical connections.
3. Check DC gear motor brushes for wear.
4. Check conveyor drive chain for cleanliness and proper lubrication.

If maintenance is required contact your local service company, a factory representative or the Blodgett Oven company.

WARNING!!
Always disconnect the power supply before cleaning or servicing the oven.

WARNING!!
If the oven needs to be moved, the gas must be turned off and disconnected from the unit before removing the restraint. Reconnect the restraint after the oven has been returned to its original location.



Maintenance

Control Box Component Locations

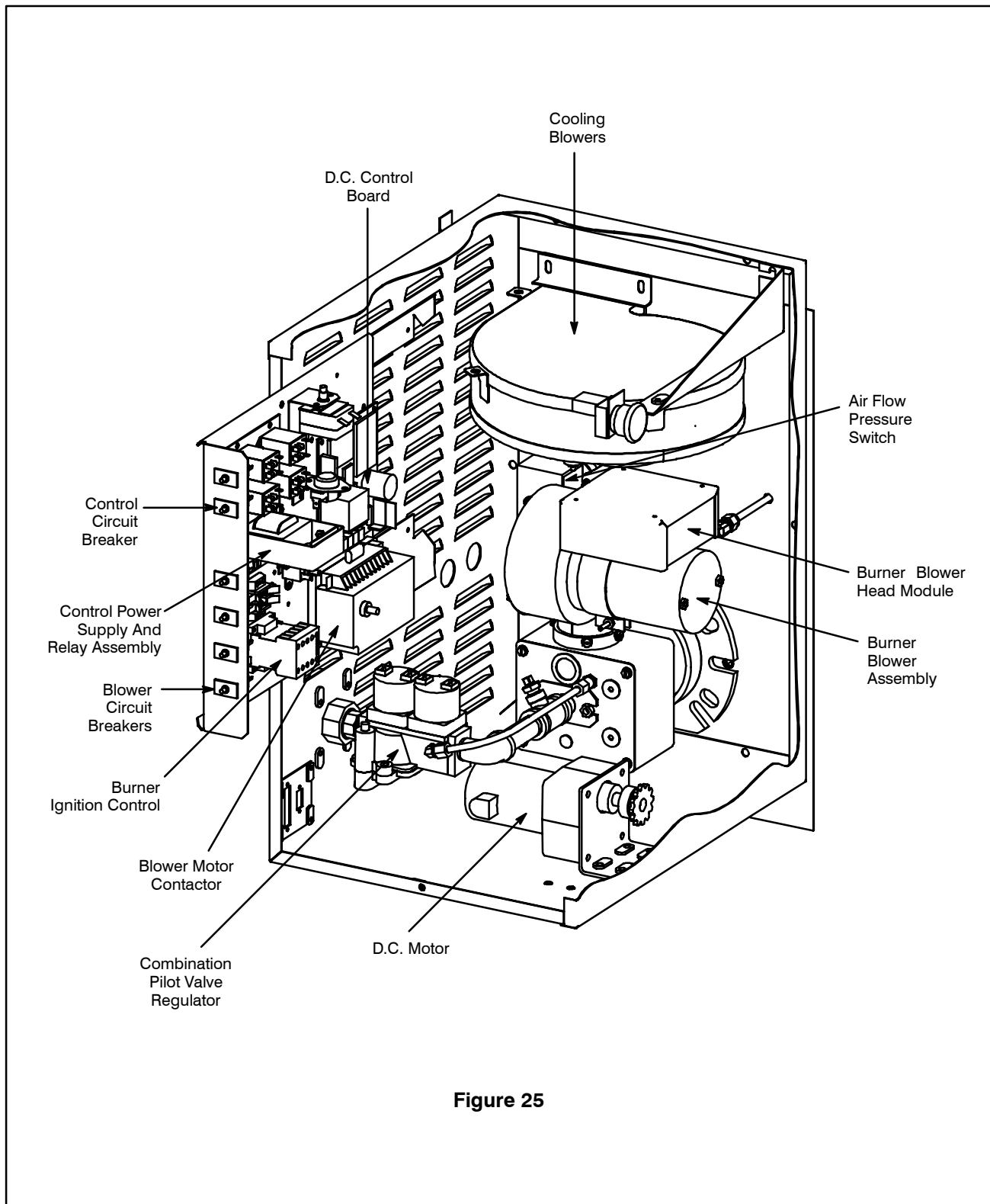


Figure 25

Troubleshooting Guide

POSSIBLE CAUSE(S)	SUGGESTED REMEDY
SYMPTOM: Blower motor(s) not running	
<ul style="list-style-type: none"> • Computer Control turned OFF • Emergency stop switch on OFF • No power to oven • Motor circuit breaker open • Control Circuit breaker open • Motor(s) burned out 	<ul style="list-style-type: none"> • Press ON/OFF key • Pull switch out to ON • Reset breaker • * • * • *
SYMPTOM: Computer controller displays: Probe-Open-Probe-Short and alarm buzzer sounds	
<ul style="list-style-type: none"> • Shorted or open RTD probe • Computer controller not properly installed • Internal problem with computer Controller • Loose connections at the computer Controller 	<ul style="list-style-type: none"> • Press Clear key to silence buzzer • Reinstall • * • *
SYMPTOM: Burner will not fire	
<ul style="list-style-type: none"> • Computer control turned OFF • Emergency stop switch on OFF • Blower motor(s) not running • Computer temperature not set above ambient temperature • Manual gas valve closed • High limit control tripped • Defective Computer Controller • Control circuit breaker tripped • Air pressure switch out of adjustment • Thermal switch in control compartment tripped 	<ul style="list-style-type: none"> • Press ON/OFF key • Pull switch out to ON • * • Set to desired temperature • Open valve • * • * • * • * • Excessive intake air temperature – check hood system
<p>*Denotes remedy is a difficult operation and should be performed by qualified personnel only. It is recommended, however, that All repairs and/or adjustments be done by your local Blodgett service agency and not by the owner/operator. Blodgett cannot assume responsibility for damage as a result of servicing done by unqualified personnel.</p>	



WARNING!!

Always disconnect the power supply before cleaning or servicing the oven.



Maintenance

Troubleshooting Guide

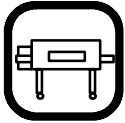
POSSIBLE CAUSE(S)	SUGGESTED REMEDY
SYMPTOM: Oven will not reach desired temperature	
<ul style="list-style-type: none"> • Gas pressure to oven is too low • Top air plates missing • Temperature hi-limit system out of adjustment • Internal problem with main temperature control 	<ul style="list-style-type: none"> • Check quick disconnect for proper seating • Contact local gas representatives • Install air plates • * • *
SYMPTOM: Conveyor belt will not run	
<ul style="list-style-type: none"> • Computer Control turned OFF • Emergency stop switch on OFF • Control circuit breaker tripped • Belt hooked on something in oven • Defective conveyor drive motor • Defective conveyor drive motor controller 	<ul style="list-style-type: none"> • Press ON/OFF key • Pull switch out to ON • * • Turn oven OFF, unhook and repair problem • * • *
SYMPTOM: Burner operates sporadically	
<ul style="list-style-type: none"> • Air pressure switch out of adjustment • Thermal switch tripped 	<ul style="list-style-type: none"> • * • *
SYMPTOM: Control panel displays Temp - Limit and buzzer sounds	
	<ul style="list-style-type: none"> • Turn oven OFF and wait for oven to cool down
SYMPTOM: Hood system does not operate when oven is on	
<ul style="list-style-type: none"> • Fan exhaust supply problem • Defective interlock circuit 	<ul style="list-style-type: none"> • Contact HVAC service • *
<p>*Denotes remedy is a difficult operation and should be performed by qualified personnel only. It is recommended, however, that All repairs and/or adjustments be done by your local Blodgett service agency and not by the owner/operator. Blodgett cannot assume responsibility for damage as a result of servicing done by unqualified personnel.</p>	



WARNING!!

Always disconnect the power supply before cleaning or servicing the oven.

MT3855G-G
Fours à Bande Transporteuse
Manuel D'Installation – Fonctionnement – Entretien



Introduction

Description et Spécifications du Four

La cuisson dans un four à bande transporteuse diffère de la cuisson dans un four de cuisine ordinaire en ce sens que de l'air chaud circule en permanence autour de l'aliment cuit, sous l'effet d'un ventilateur enfermé dans une enceinte spéciale. Le mouvement continu de l'air, en éliminant constamment la couche d'air froid qui se formerait autrement autour de l'aliment, permet la pénétration plus rapide de la chaleur. Il en résulte un aliment de qualité comparable à ceux préparés dans un four ordinaire, mais cuit à température inférieure et en moins de temps.

Le four à bande transporteuse représente ce qu'il y a de plus perfectionné en termes de rendement énergétique, de fiabilité et de facilité d'emploi. Comme la source thermique se trouve à l'intérieur même de la chambre de cuisson, d'importantes économies d'énergie peuvent être réalisées en même temps que d'excellents résultats de cuisson.

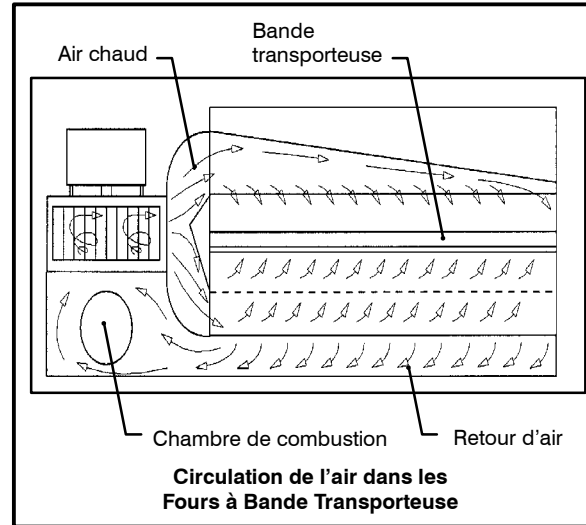
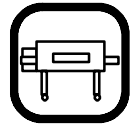


Figure 1

SPÉCIFICATIONS	MT3855G-G
Largeur de la bande	96.5 cm
Longueur de la zone de cuisson	139.7 cm
Surface de cuisson	1.3 m ²
Dimensions (Appareil simple)	231 cm x 147 cm x 112 cm
Puissance maximum à l'entrée	150,000 BTU/Hr. (43.9 KW) (158 MJ)
Température de fonctionnement maximum	315°C
Alimentation	É. U. et Canada (ou semblable) 120/208-240VAC, 60Hz., 1Φ, 9 Ampères, 3 fils Exportation et l'Australie 220-240VAC, 50Hz., 1Φ, 9 Ampères, 3 fils
Alimentation de gaz	Gaz Naturel: 4.5" W.C. minimum/10.5" W.C. maximum Propane: 11.0" W.C. minimum/13.0" W.C. maximum
Dégagement du produit	7.6 cm
Branchement d'alimentation en gaz	1.9 cm



Éléments du Four

Ensemble de la bande transporteuse repliable

– bande transporteuse, maillons de chaîne en acier inoxydable et support qui transportent le produit dans le four.

Boîtier de commande – contient les câblages électriques, ventilateur de refroidissement ou volets, moteur d'entraînement et chaîne d'entraînement.

Moteur d'entraînement – fournit la puissance qui actionne la bande transporteuse.

Chaîne d'entraînement – connecte le pignon du moteur d'entraînement au pignon de support de la bande transporteuse du côté de l'entraînement.

Chambre de cuisson du four – pour cuire, les produits sur la bande transporteuse, traversent la chambre de cuisson.

Buses – distribuent l'air chaud dans la chambre de cuisson. Situés à l'intérieur du four, sous la bande transporteuse.

Étrier de support de buse – maintient l'avant des buses en position. Situé à l'intérieur du four.

Déviateurs de l'air en retour – dévient l'air de retour du haut vers le bas à l'avant de la chambre de cuisson. Assurent une cuisson régulière dans tout le four. Situés à l'intérieur du four, au-dessous des buses.

Arrêtoir – aide à conserver la chaleur dans la chambre de cuisson. Situés de chaque côté au-dessus de la bande transporteuse.

Plateau à miettes – récupère les miettes provenant des produits sur la bande transporteuse. Situé sous la bande transporteuse des deux côtés de la chambre de cuisson.

Porte basculante – s'ouvre pour permettre l'insertion de produits auxiliaires.

Plaques du débit d'air (2, côté de l'entraînement et côté mené) – distribuent l'air chaud en haut de la chambre de cuisson. Situées à l'intérieur du four en haut de la chambre de cuisson.

Interrupteur d'arrêt d'urgence – permet, en cas d'urgence, à l'utilisateur d'arrêter le four et la bande transporteuse. Ne pas utiliser pour l'arrêt normal.

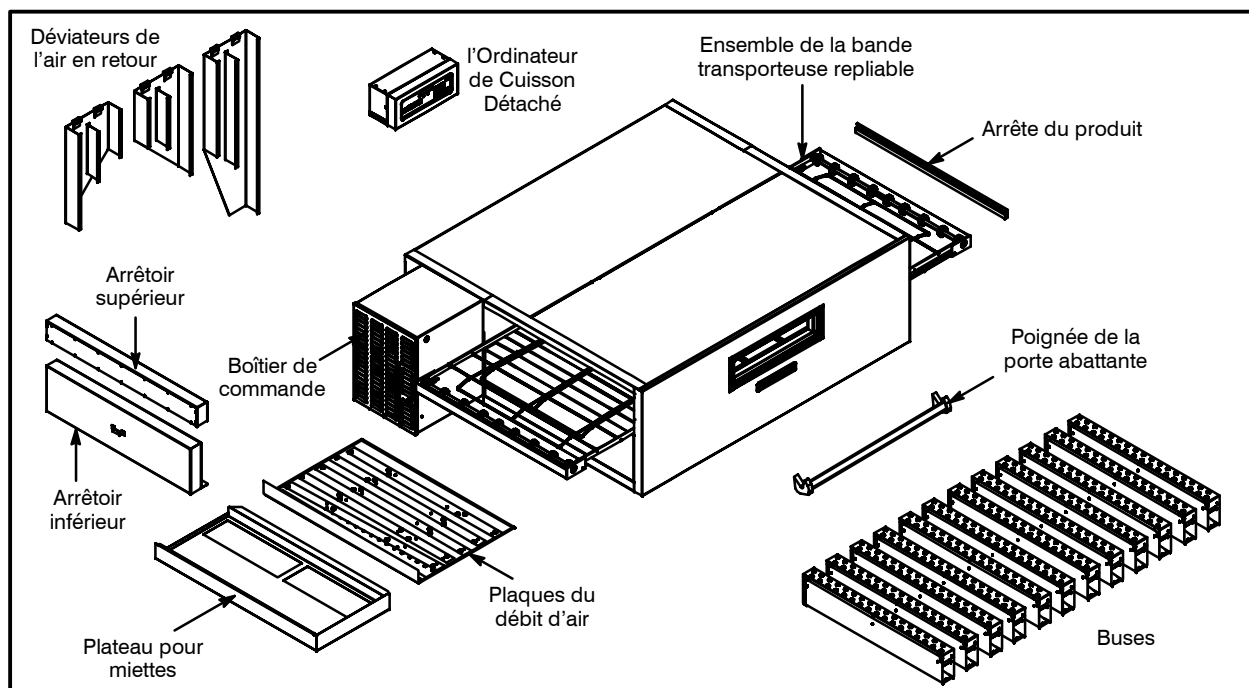


Figure 2



Installation

Livraison et Inspection

Tous les fours sont expédiés en conteneurs. A la réception de votre four Blodgett vous devez:

- Vérifier que les emballages ne sont pas abimés. Toute défection dans l'emballage doit être notée sur l'accusé de réception de la marchandise; celui-ci doit être signé par le chauffeur.
- Sortir le four de son emballage et vérifier son bon état. Les transporteurs n'acceptent les réclamations et plaintes que si elles sont faites dans les quinze jours qui suivent la livraison et si l'emballage a été conservé afin d'être inspecté.

Description des Pièces	Qté.
Partie principale du four	1
Les supports du four et les roulettes	4*
Ensemble de la bande transporteuse repliable	1
L'ordinateur de cuisson détaché et es câbles	1
Arrêteur supérieur	2
Arrêteur inférieur	2
Plateau pour miettes	2
Buses	12

La Blodgett Oven Co., n'est pas responsable des dégâts subis pendant le transport. Le transporteur est seul responsable de la livraison du matériel en bon état lorsque l'expédition a été acceptée. Néanmoins, nous sommes à votre disposition pour vous aider à composer votre dossier de réclamation.

Le four peut alors être déplacé jusqu'à son lieu d'installation. Comparez la liste ci-dessous à la Figure 2, page 3 pour vous assurer que vous avez reçu toutes les pièces.

Description des Pièces	Qté.
Poignée	1
Poignée servant à retirer le plateau de circulation d'air	1*
Paquet contenant: des boulons de 3/8 po.-16 (pour supports de four)	1*
Paquet contenant: (2) fusibles de 2 ampères pour circuit de commande	1*
Manuel d'utilisation	1*
Déviateur de retour d'air, côté gauche	1
Déviateur de retour d'air, intérieur côté gauche	1
Déviateur de retour d'air, côté droit	1

NOTE: * – Article non illustré.



Implantation et aération du four

IMPLANTATION DU FOUR

L'implantation correcte et bien étudiée du four sera à l'avantage à long terme de l'opérateur et permettra d'obtenir un rendement satisfaisant.

Les espaces de dégagement ci-dessous doivent être prévus entre le four et toute construction combustible ou non.

- Côté du four – 58.8 cm
- Arrière du four – 0 cm

Les espaces de dégagement ci-dessous doivent être possible pour permettre l'entretien.

- Côté du four – 96.5 cm
- Arrière du four – 71 cm

NOTE: L'entretien régulier peut en général être effectué dans les limites du déplacement que permet la chaîne de retenue. Si le four doit être plus écarté du mur, l'alimentation en gaz doit être coupée et la canalisation débranchée du four avant d'enlever la chaîne. Celle-ci doit être utilisée pour empêcher d'exercer toute contrainte sur le coupleur de gaz.

Il est essentiel qu'une circulation d'air adéquate au four soit maintenue pour apporter un débit d'air de combustion et de ventilation suffisant.

- L'emplacement ne doit pas avoir de courants d'air.
- Maintenez la zone du four libre et dégagée de tous matériaux combustibles tels que le papier, le carton, ainsi que les liquides et solvants inflammables.
- NE placez PAS le four sur un socle à bordure. L'une comme l'autre de ces installations gênera la circulation d'air vers le compartiment de combustion et empêchera une bonne ventilation des moteurs de soufflantes. Une telle situation doit être rectifiée si l'on veut empêcher que le four ne soit définitivement endommagé.

AÉRATION DU FOUR

On ne saurait trop insister sur la nécessité de prévoir un système d'aération bien conçu. Un tel système permettra au four de bien fonctionner, tout en évacuant les vapeurs et produits de combustion gênants de la zone d'utilisation.

L'extraction des fumées de combustion de l'appareil doit se faire au moyen d'un groupe d'aspiration à commande mécanique. Celui-ci doit être dimensionné de façon à ce qu'il recouvre entièrement l'appareil, tout en dépassant d'au moins 15 cm de tous les côtés qui ne sont pas contigus à un mur. La distance entre le sol et le bord inférieur du groupe d'aspiration ne doit pas dépasser 2,10 mètres. Le groupe doit avoir la capacité qui convient et un appoint d'air adéquat doit être prévu.

Installations aux États-Unis et au Canada

Se reporter aux codes locaux de la ventilation. En l'absence de codes locaux, se reporter au code national de la ventilation intitulé "Normes pour l'installation d'équipements pour l'enlèvement des fumées et vapeurs grasses provenant d'équipements commerciaux pour la cuisine", NFPA-96 – Édition la plus récente.

Installations des appareils exportés et l'Australie

L'installation doit suivre les normes locales et nationales. Les codes d'installation et/ou les exigences peuvent varier d'une localité à l'autre. Si vous avez des questions portant sur l'installation et/ou l'utilisation adéquate de votre four Blodgett, veuillez contacter votre distributeur local. Si aucun distributeur local n'est situé dans votre localité, veuillez appeler Blodgett Oven Company au 0011-802-860-3700.



AVERTISSEMENT!!

Une mauvaise extraction des fumées de combustion du four peut mettre en danger la santé de l'opérateur. Elle aura également pour résultats des problèmes de fonctionnement, une cuisson laissant à désirer et de possibles dégâts subis par le matériel.

Les dégâts résultant directement d'une aération inadéquate ne seront pas couverts par la garantie offerte par le fabricant.



Installation

Montage du Four

LES SUPPORTS DU FOUR ET LES ROULETTES

1. Boulonnez les supports du four à celui-ci au moyen de boulons de 3/8-16 à tête plate.
NOTE: Les roulettes freinées doivent être tournées vers le devant du four
2. Faites reposer avec précaution le four sur les roulettes. Il sera nécessaire de le faire soulever de la palette et de le faire reposer sur les roulettes par plusieurs personnes.
3. Serrez les freins des roulettes avant.
4. Il est nécessaire de retirer les supports d'emballage de l'arrière du four.

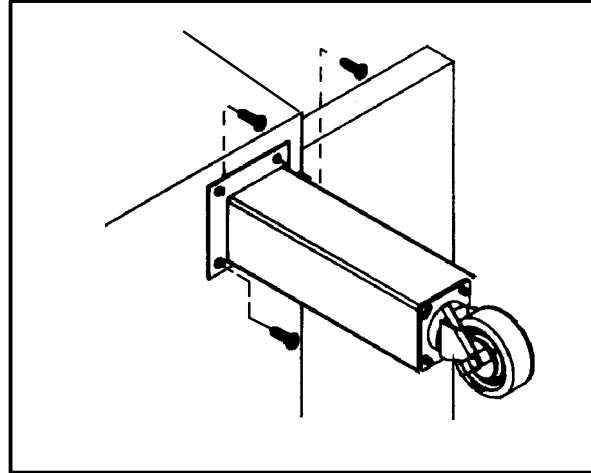


Figure 3



Montage du Four

DÉVIATEURS DE L'AIR EN RETOUR

1. Soulever l'avant du déviateur et glisser les attaches en haut et derrière la paroi de l'arrière du four.
2. Baisser l'avant et glisser le déviateur en place. Les déviateurs doivent être mis en place dans l'ordre correct. Voir Figure 4.

NOTE: S'assurer que les bords des déviateurs de gauche et de droite s'alignent avec la découpe dans la paroi arrière du four.

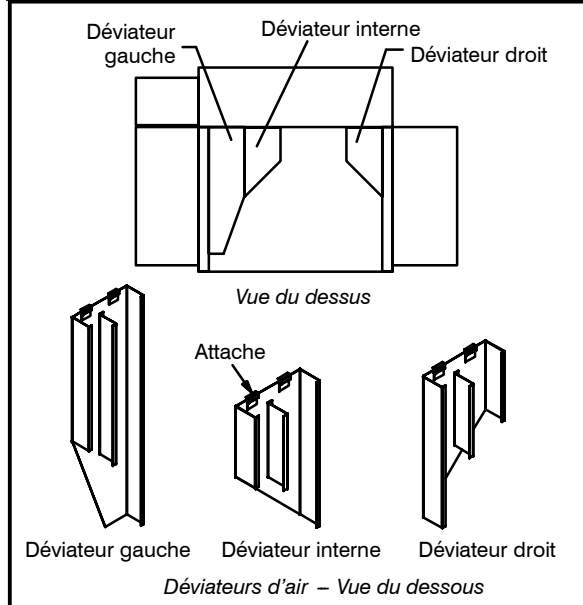
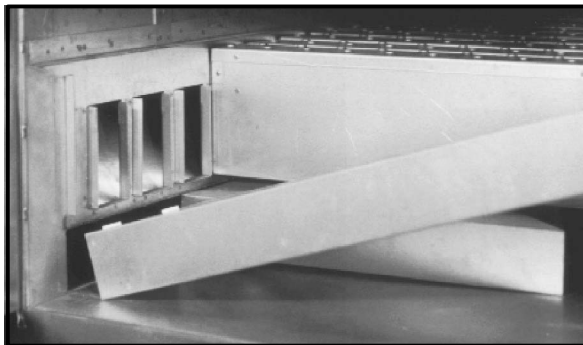


Figure 4

LES BUSES

1. Installez les buses en commençant au milieu du four et en allant vers les extrémités. Veillez à ce que le bas de l'embout s'adapte dans la fente du support d'embout vers le devant du four. Voir la Figure 5 pour l'emplacement correct de la buse.
2. Fixez la bande de maintien d'embout en travers de l'intérieur du devant du four au moyen des vis qui se trouvent sur la paroi de celui-ci.

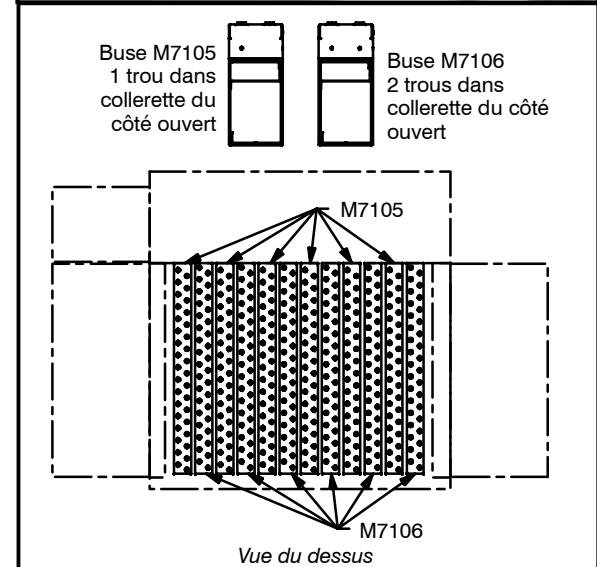
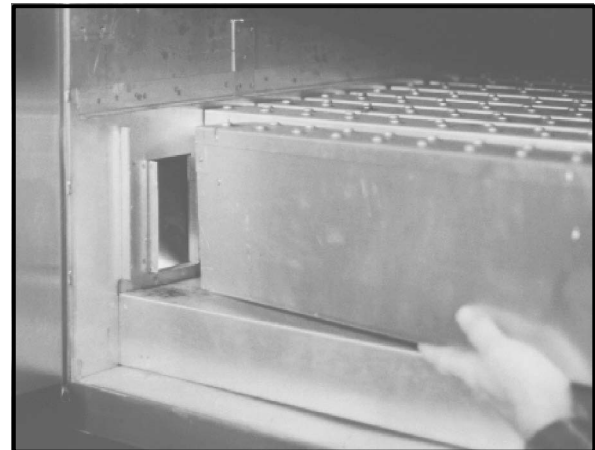


Figure 5



Installation

Montage du Four

BANDE TRANSPORTEUSE REPLIABLE

L'ensemble de la bande transporteuse repliable doit être installé à partir du côté du boîtier de contrôle du four.

1. Déplier le côté droit de la bande transporteuse.
2. Pousser la bande transporteuse dans les rails de support. Voir Figure 6. **Attention d'éviter de heurter l'interrupteur rouge d'arrêt d'urgence sur le côté du boîtier de contrôle.**
3. Déplier le côté gauche de la bande transporteuse et continuer de pousser dans les rails de support.
4. Insérer la bande transporteuse au-delà de la position normal d'arrêt.
5. Installer la chaîne d'entraînement sur le pignon du moteur d'entraînement et le pignon de la bande transporteuse. Voir Figure 7.

NOTE: Pour plus de clarté, la Figure 7 est illustrée sans garde de chaîne et couvercle de boîtier de contrôle.

6. Tirer la bande transporteuse hors du four jusqu'à ce que la vis à oreilles de 1/4–20 puisse être installée au travers du support de la bande transporteuse et dans le boîtier de contrôle. Voir Figure 8.

NOTE: Si le trou de montage ne peut pas s'aligner ou si la chaîne est trop relâchée, le moteur d'entraînement doit être repositionné.

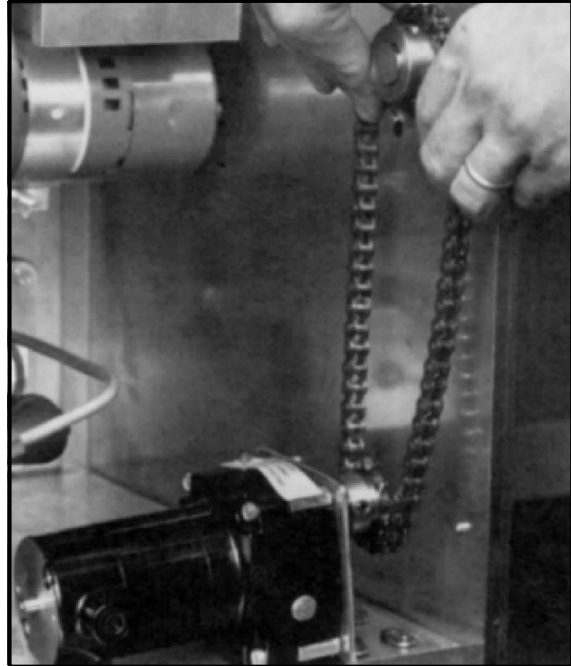


Figure 7



Figure 8



Figure 6



Montage du Four

LES ARRÊTOIR

1. Installez les arrêteur supérieur aux deux extrémités du four. Voir Figure 9. Serrer les écrous à oreilles au bas de chaque arrêteur supérieur.

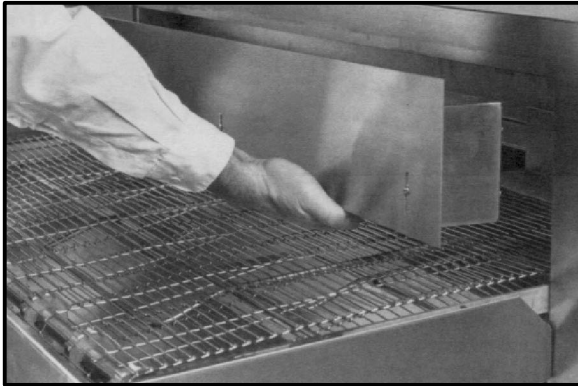


Figure 9

2. Installez les arrêteur inférieur aux deux extrémités du four. Voir Figure 10.

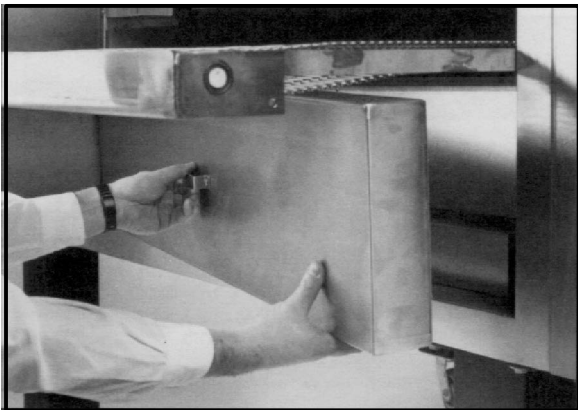


Figure 10

PLATEAUX POUR MIETTES

1. Installez des plateaux pour miettes sous chaque extrémité de la bande transporteur.

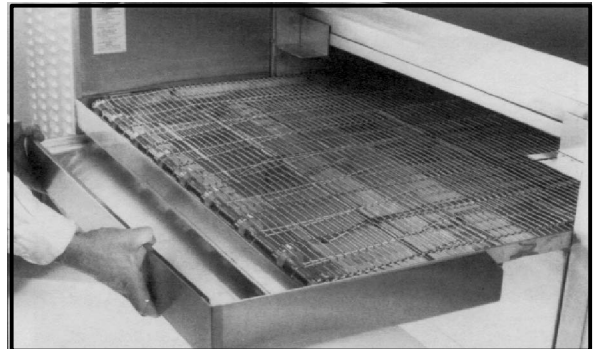


Figure 11

L'ORDINATEUR DE CUISSON DÉTACHÉ

1. Percer les trous de montage pour la base de support de l'ordinateur de cuisson.
2. Monter au mur, la base de support et l'étrier de support de câble.
3. Monter l'ordinateur de cuisson sur le support de base. Brancher le câble de raccordement à l'arrière du contrôleur.
4. Attacher les câbles au crochet de support de câble et à l'arrière du four en utilisant les attaches de câble et des vis.

NOTE: *NE PAS surserrer les serre-câble. Les fils peuvent être endommagés causant une défaillance de l'ordinateur.*

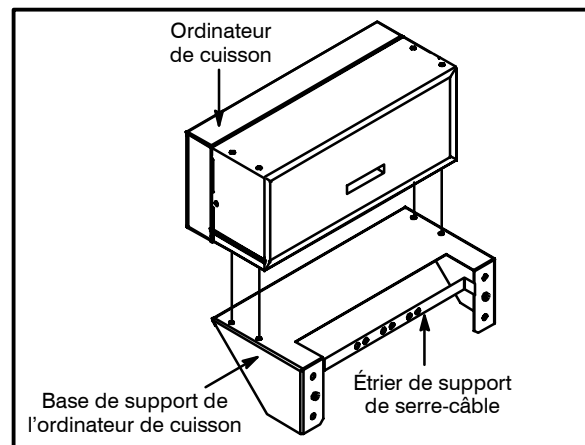


Figure 12



Installation

Branchements de Service – Normes et Codes

LES INSTRUCTIONS PORTANT SUR L'INSTALLATION ET CONTENUES DANS CE DOCUMENT, S'ADRESSENT UNIQUEMENT AU PERSONNEL D'INSTALLATION ET DE SERVICE QUALIFIÉ. TOUTE INSTALLATION OU SERVICE EFFECTUÉ PAR DU PERSONNEL NON QUALIFIÉ PEUT CAUSER DES DOMMAGES AU FOUR ET/OU DES BLESSURES À L'OPÉRATEUR.

Le personnel qualifié est constitué d'individus, de firmes, d'entreprises ou de corporations qui, soit en personne, soit par l'entremise de représentants ont la responsabilité de :

- l'installation ou du remplacement des conduites de gaz, de même que la connexion, l'installation, la réparation ou le service de l'équipement;
- l'installation du câblage électrique à partir du compteur électrique, de la boîte de commande principale ou de la sortie de commodité vers l'appareil électrique.

Le personnel qualifié pour l'installation doit avoir de l'expérience dans ce genre de travail, connaître toutes les précautions à prendre et se plier à toutes les normes et à tous les règlements en vigueur dans le national et la localité.

Installations aux États-Unis et au Canada

Les branchements de gaz doivent être en accord avec les codes locaux, ou en l'absence de codes locaux, avec le *Code National du Gaz de Chauffage, ANSI Z223.1* le *Code d'Installation du Gaz Naturel CAN/CGA-B149.1* ou le *Code d'Installation du Propane CAN/CGA-B149.2* si applicable.

CAN/CGA-B149.2, selon le cas. Tous les fours installés doivent être pourvus d'une prise à la terre répondant aux normes locales ou, en l'absence de tels codes, répondant aux normes du *Code Électrique National (National Electrical Code), ANSI/NFPA 70 – Dernière édition et/or Code Électrique Canadien CSA C22.2* si applicable.

Installations des appareils exportés et l'Australie

L'installation doit suivre les normes locales et nationales. Les codes d'installation et/ou les exigences peuvent varier d'une localité à l'autre. Si vous avez des questions portant sur l'installation et/ou l'utilisation adéquate de votre four Blodgett, veuillez contacter votre distributeur local. Si aucun distributeur local n'est situé dans votre localité, veuillez appeler Blodgett Oven Company au 0011-802-860-3700.



The Australian Gas Association



Branchement de Gaz

CONDUIT DE GAZ

Un système d'alimentation en gaz de bon calibre est essentiel pour obtenir le meilleur rendement du four. Les conduits doivent être calibrés pour fournir suffisamment de gaz pour alimenter tous les appareils sur le conduit sans perte de pression à l'équipement.

Exemple:

NOTE: Les valeurs en BTU de l'exemple suivant sont pour le gaz naturel.

Achat d'un four à convection MT3855G-G qui doit être ajouté sur la conduite de cuisson existante.

1. Additionner les valeurs nominales en BTU des appareils utilisés.

Friteuse Pitco	120,000 BTU
Cuisinière 6 brûleurs	60,000 BTU
Four	<u>50,000 BTU</u>
Total	230,000 BTU

2. À ce total, ajouter la valeur nominale en BTU du nouveau four.

Total précédent	230,000 BTU
MT3855G-G	<u>150,000 BTU</u>
Nouveau total	380,000 BTU

3. Mesurer la distance entre le compteur à gaz et la conduite de cuisson. Ceci est la longueur de tuyau. Disons que la longueur de tuyau est de 6,1 mètres (20') et le calibre du tuyau est de 2,54 cm (1").

4. Se reporter au tableau approprié pour déterminer la capacité totale de la conduite de gaz actuelle.

Pour cette exemple, la capacité totale est de 465,000 BTU, la conduite de gaz actuelle n'a pas besoin d'être augmentée.

NOTE: Les capacités en BTU données sur les tableaux sont uniquement pour des longueurs droites de tuyaux. Tous les coudes et autres raccords diminuent la capacités de la conduite. Pour toute autre question, prendre contact avec la compagnie locale de distribution du gaz.

Capacité maximum du tuyau métallique en pieds cubiques de gaz naturel à l'heure.
(chute de pression de 13 mm (0,5 po) à la colonne d'eau)

Longueur de conduit pieds (ft)	Dimensions nominales				
	3/4"	1"	1-1/4"	1-1/2"	2"
10	360	680	1400	2100	3950
20	250	465	950	1460	2750
30	200	375	770	1180	2200
40	170	320	660	990	1900
50	151	285	580	900	1680
60	138	260	530	810	1520
70	125	240	490	750	1400
80	118	220	460	690	1300
90	110	205	430	650	1220
100	103	195	400	620	1150

Du Code national du gaz carburant Partie 10 Tableau 10-2

Capacité maximum du tuyau en milliers de BTU/hr de gaz L.P. non-dilué à 28 cm à la colonne d'eau.

(chute de pression de 13 mm (0,5 po) à la colonne d'eau)

Longueur de conduit pieds (ft)	Diamètre extérieur		
	3/4"	1"	1-1/2"
10	608	1146	3525
20	418	788	2423
30	336	632	1946
40	287	541	1665
50	255	480	1476
60	231	435	1337
70	215	404	1241
80	198	372	1144
90	187	351	1079
100	175	330	1014

Du Code national du gaz carburant Partie 10 Tableau 10-15



Installation

Branchement de Gaz

RÉGLAGE ET TEST DE PRESSION

Chaque section du four MT3855G-G opère à régime nominal de 150,000 BTU/heure (43.9 kW) (158 MJ). Tous les fours sont réglés en usine en fonction du type de gaz spécifié sur la plaque signalétique. Cette plaque est fixée au côté gauche du panneau de commande.

Pour maintenir la bonne pression de gaz, chaque four est livré avec un régulateur. **Le régulateur est essentiel pour le fonctionnement correct du four et il ne doit pas être retiré.** Il est pré-réglé pour alimenter le four avec une pression de gaz naturel au collecteur de 0,87 kPa (3,5" WC [à la colonne d'eau]) et une pression de propane au collecteur de 2,50 kPa (10,5 WC).

NE PAS INSTALLER DE RÉGULATEUR SUPPLÉMENTAIRE OÙ LE FOUR SE CONNECTE SUR L'ALIMENTATION DE GAZ SAUF SI LA PRESSION D'ENTRÉE EST AU-DESSUS DU MAXIMUM.

NOTE: La pression maximum à la colonne d'eau de l'alimentation en gaz est 10.5" W.C. pour le gaz naturel et 13" W.C. pour le propane. La pression minimum à la colonne d'eau de l'alimentation en gaz est 4.5" W.C. pour le gaz naturel et 11.0" W.C. pour le propane.

Les branchements de gaz doivent être en accord avec les codes locaux, ou en l'absence de codes locaux, avec le *Code National du Gaz de Chauffage, ANSI Z223.1 le Code d'Installation du Gaz Naturel CAN/CGA-B149.1* ou le *Code d'Installation du Propane CAN/CGA-B149.2* si applicable.

Le four et sa vanne d'arrêt individuelle doivent être déconnectés du système d'alimentation en cas de test des conduites à pression manométrique supérieure à 1/2 psi (13.85 po à la colonne d'eau ou 3.45 kPa).

En cas de test à pression manométrique de 1/2 psi (13.85 po à la colonne d'eau ou 3.45 kPa) ou moindre, le four doit être isolé du système par la fermeture de sa vanne d'arrêt manuelle individuelle.

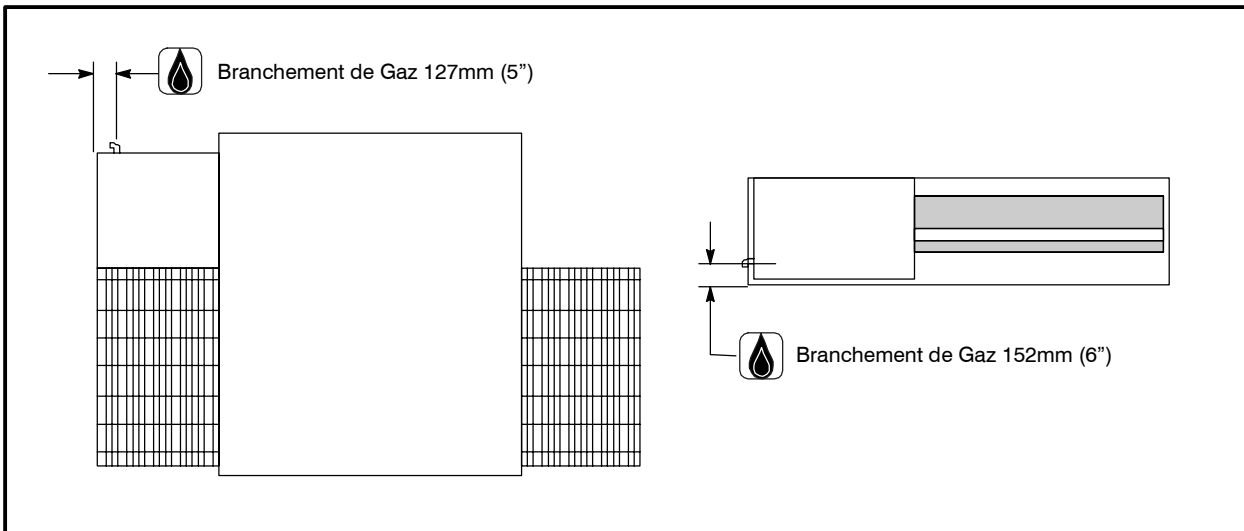


Figure 13

Branchement de Gaz

RETENUE DU TUYAU DE GAZ

Si le four est monté sur roulettes, un connecteur commercial flexible ayant un diamètre intérieur minimum de 1,9 cm (3/4") doit être utilisé avec un dispositif de connexion rapide.

La retenue, fournie avec le four, doit servir à limiter les mouvements de l'unité de façon qu'aucune tension ne soit placée sur le connecteur flexible. Le câble de retenue doit être fixé aussi près que possible du coupleur souple et être suffisamment court pour empêcher toute contrainte exercée sur le coupleur souple. Quand la retenue est entièrement étendue, le connecteur doit être facile à installer et à connecter rapidement.

Ce dispositif (qui consiste en un câble de gros calibre) doit être accroché au mur pour empêcher d'endommager celui-ci. NE vous servez PAS de la canalisation de gaz ni d'une canalisation d'électricité pour y accrocher l'extrémité fixée à demeure du dispositif de retenue ! Servez-vous de boulons d'ancrage dans le béton ou les parpaings. Sur les murs en bois, utilisez des tire-fond à bois à résistance élevée que vous enfoncez dans les montants du mur.



AVERTISSEMENT!!

Si la retenue est déconnectée, quelqu'en soit la raison, elle doit être reconnectée quand le four est remis à sa position d'origine.

Installations aux États-Unis et au Canada

Le coupleur doit être conforme à la *Norme Applicable aux Coupleurs pour Appareils à Gaz Mobiles, ANSI Z21.69* ou *Coupleurs pour Appareils à Gaz Mobiles CAN/CGA-6.16*. Il convient d'utiliser également un dispositif de débranchement rapide conforme à la *Norme Applicable aux Dispositifs de Débranchement Rapide pour Combustibles Gazeux, ANSI Z21.41* ou *Dispositifs de Débranchement Rapide pour Combustibles Gazeux CAN 1-6.9*. Une entrave fixée à une surface immobile doit être prévue pour limiter le mouvement du four et éviter les tensions au niveau du connecteur.

Un élément d'égouttage doit être utilisé pour chaque appareil. Reportez-vous au règlement *NFPA54/ANSI Z223.1 - Dernière édition* (Code National d'Alimentation en Gaz) pour l'installation correcte d'un élément d'égouttage.

Installations des appareils exportés et l'Australie

L'installation doit suivre les normes locales et nationales. Les codes d'installation et/ou les exigences peuvent varier d'une localité à l'autre. Si vous avez des questions portant sur l'installation et/ou l'utilisation adéquate de votre four Blodgett, veuillez contacter votre distributeur local. Si aucun distributeur local n'est situé dans votre localité, veuillez appeler Blodgett Oven Company au 0011-802-860-3700.

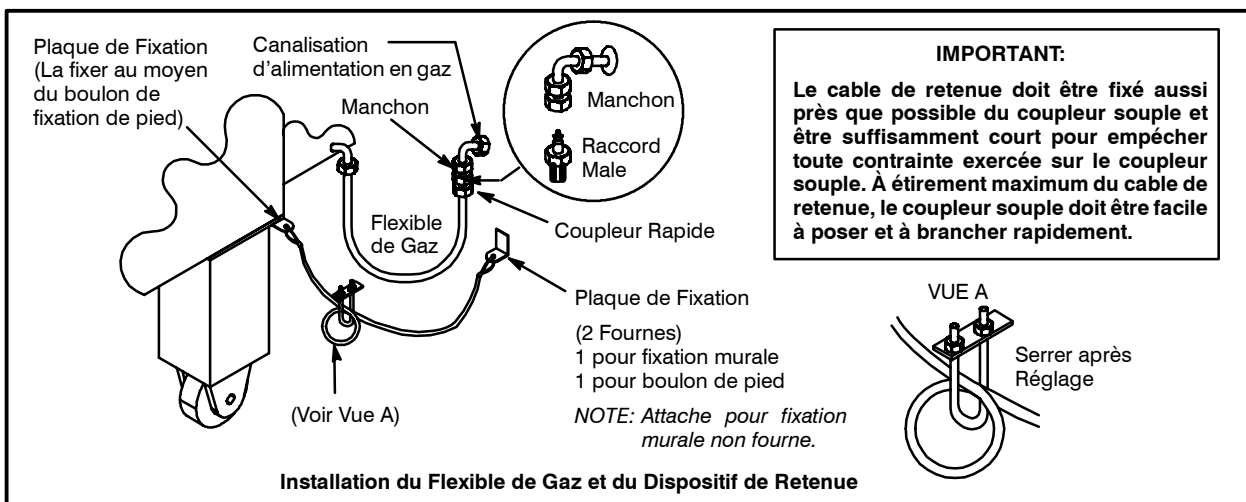


Figure 14



Installation

Raccordement Électrique

Avant d'effectuer tout branchement électrique sur ces appareils, vérifiez que l'alimentation électrique est conforme aux spécifications de tension, d'intensité et de phase indiquées sur la plaque signalétique.

NOTE: La plaque signalétique est fixée sur le panneau de commande.

Un schéma de câblage, à coller sur la page prévue à cet effet, accompagne le présent manuel et est apposé à l'intérieur du boîtier de commande.

Installations aux États-Unis et au Canada

Le MT3855 nécessite un service électrique de 15 amp., 60 Hz, 1 F, 208-240 VCA, à 4 fils consistant en L1, L2, Neutre et Terre. Utiliser du fil pour 90°C d'un calibre conforme aux codes électriques nationaux et locaux.

AUCUN appareil monophasé ne doit être raccordé à la phase "haute" d'un circuit triphasé. La phase "haute" se réfère à un potentiel de 240 volts entre un "élément" et le neutre. Les deux "éléments" restants auront un potentiel de 120 volts entre chaque phase et le neutre.

Connecter les quatre fils au boîtier de connexion situé au bas du côté gauche du panneau de commande.

1. Connecter les deux fils noirs sur la source électrique de 208–240 volts.
2. Connecter le fil blanc sur le neutre du système.
3. Connecter le fil vert sur la mise à terre du système.

Installations des appareils exportés et l'Australie

Le MT3855 nécessite un service électrique de 15 amp., 50 Hz, 1 F, 220-240 VCA, à 3 fils consistant en L1, Neutre et Terre. Utiliser du fil pour 90°C d'un calibre conforme aux codes électriques nationaux et locaux.



AVERTISSEMENT!!

Un câblage monophasé incorrect résultera en dommages extensifs des composants électriques et en une possibilité de feu dans le panneau de commande.

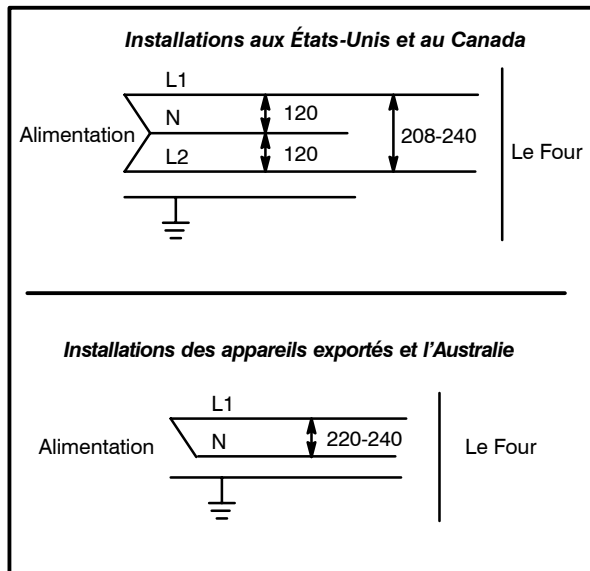


Figure 15

LA SOCIÉTÉ BLODGETT NE SAURAIT ÊTRE TENUE POUR RESPONSABLE DES PERTES OU DOMMAGES SUBI PAR SUITE DE L'INSTALLATION INCORRECTE DE FOURS.



LES INFORMATIONS CONTENUES DANS CETTE SECTION SONT DESTINÉES AU PERSONNEL QUALIFIÉ APPELÉ A UTILISER LE FOUR. ON ENTEND PAR PERSONNEL QUALIFIÉ LE PERSONNEL QUI AURA LU ATTENTIVEMENT LES INFORMATIONS CONTENUES DANS CE MANUEL, CONNAIT BIEN LES FONCTIONS DU FOUR ET/OU POSSEDE UNE EXPÉRIENCE ANTERIEURE DE L'EMPLOI DE L'ÉQUIPEMENT DÉCRIT. LE RESPECT DES PROCÉDURES RECOMMANDÉES DANS CETTE SECTION PERMETTRA D'ATTEINDRE LES PERFORMANCES OPTIMALES DU SYSTÈME ET D'EN OBTENIR UN SERVICE DURABLE ET SANS ENCOMBRES.

Prenez le temps de lire attentivement les instructions qui suivent. Vous y trouverez la clé du succès du four à transportbande Blodgett.



CONSEILS DE SÉCURITÉ

Pour la sécurité, lire avant d'utiliser l'appareil

Que faire s'il y a une odeur de gaz :

- NE PAS essayer d'allumer l'appareil.
- NE PAS toucher d'interrupteur électrique.
- Utiliser un téléphone extérieur pour appeler immédiatement la compagnie du gaz.
- Si la compagnie du gaz ne répond pas, appeler les pompiers.

Que faire en cas de panne de secteur :

- Fermer tous les interrupteurs.
- NE PAS tenter d'utiliser le four avant que l'électricité soit revenue.

NOTE: Dans le cas d'un arrêt de l'appareil, quel qu'il soit, attendre cinq (5) minutes avant de remettre le four en marche.

D'arrêt d'urgence automatique

- Le four est équipé d'un système d'arrêt d'urgence automatique. Si vous avez besoin d'arrêter le tapis, les ventilateurs ou l'élément chauffant. Appuyer sur l'interrupteur d'arrêt d'urgence. Ne pas utiliser l'interrupteur d'arrêt d'urgence comme interrupteur de marche/arrêt!

Conseils généraux de sécurité :

- NE PAS utiliser d'outil pour fermer les commandes du gaz. Si le gaz ne peut pas être fermé manuellement ne pas tenter de réparer. Appeler un technicien de service qualifié.
- Si le four doit être déplacé, quel qu'en soit la raison, le gaz doit être fermé et déconnecté de l'unité avant de retirer le câble de retenue. Reconnecter la retenue quand le four a été remis à son emplacement d'origine.
- NE PAS retirer le couvercle du panneau de contrôle sauf si le four est débranché.



Utilisation

L'Ordinateur de Cuisson

IDENTIFICATION DES COMMANDES

1. AFFICHAGE - Indique la durée et la température, ainsi que d'autres informations relatives au fonctionnement du four.
2. MARCHE/ARRÊT – Allume ou éteint le four.
3. CLAVIER NUMÉRIQUE – Utiliser le clavier numérique pour programmer l'heure et la température de cuisson désirée.
4. TOUCHE CLEAR – Utiliser le touche CLEAR en cas d'erreur.
5. TOUCHE SET TEMP – Pour programmer ou consulter la température de cuisson.
6. TOUCHE ACT TEMP – Pour consulter la température actuelle du four.
7. TOUCHE TEMP – Pour programmer ou consulter l'heure de cuisson.
8. TOUCHE PROG/ENTER – Pour entrer et sortir la mode de programmation. Aussi pour vérifier dans des entourages programmés.
9. LES TÉMOINS LUMINEUX – S'allume lorsque les brûleurs sont allumés ou le ventilateur est activé.

LA PROCÉDÉ PROGRAMMER

Pour programmer l'heure de cuisson:

1. Appuyer sur la touche PROG ENTER (8).
2. Appuyer sur la touche TIME (7). L'afficheur indiquera *SET • TIME-?* (programmer heure).
3. Utiliser le CLAVIER NUMÉRIQUE (3) pour programmer l'heure de cuisson désirée. En cas d'erreur, appuyer sur la touche CLEAR (4) et re-programmer l'heure.
4. Appuyer sur la touche PROG ENTER (8). La nouvelle heure de cuisson sera mémorisée dans l'ordinateur.

Pour programmer la température:

1. Appuyer sur la touche PROG ENTER (8).
2. Appuyer sur SET TEMP (5). L'afficheur indiquera *SET • TEMP-?* (programmer température).
3. Utiliser le CLAVIER NUMÉRIQUE (3) pour programmer la température désirée. En cas d'erreur, appuyer sur la touche CLEAR (4) et re-programmer la température.
4. Appuyer sur la touche PROG ENTER (8). La nouvelle température sera mémorisée dans l'ordinateur.

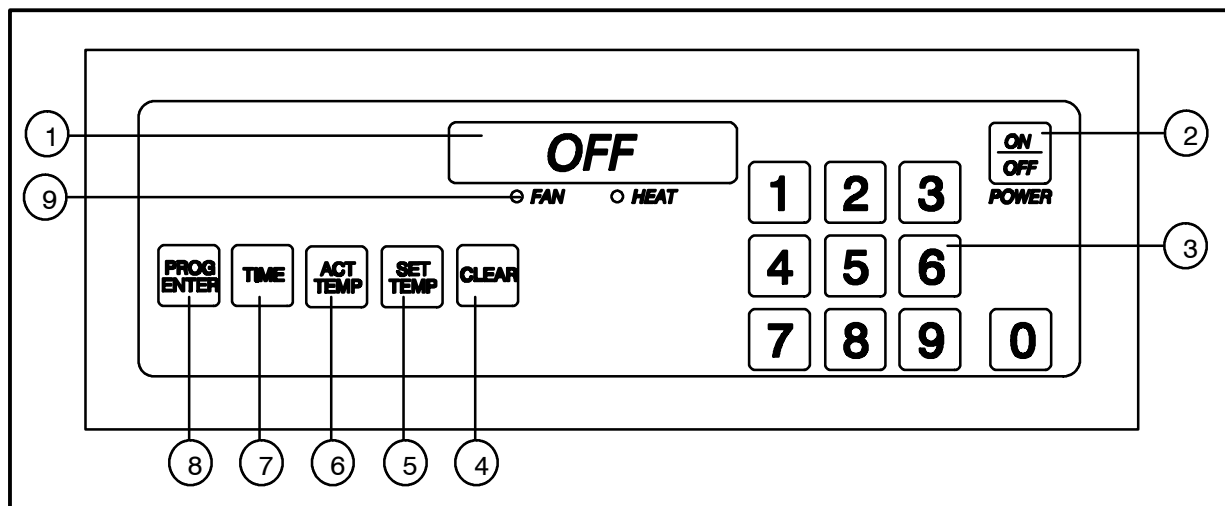


Figure 16



UTILISATION

Pour allumer le four

1. Tourner la vanne de gaz sur MARCHE.
2. Appuyer et maintenir momentanément la touche MARCHE/ARRÊT (2). The display reads OFF when the oven is idle.
3. Les témoins lumineux VENTILATEUR et CHAUFFAGE (9) s'allumeront. Le ventilateur commencera à tourner et la température augmentera jusqu'à la valeur programmée dans l'ordinateur. Le tapis du convoyeur commencera à se déplacer à la vitesse mise en mémoire.
4. L'afficheur clignotera le message **WAIT • LOW • SET • TIME • mmss** jusqu'à ce que la température du four programmée soit atteinte.
5. L'afficheur indiquera **READY (PRET)** et la LED de CHAUFFAGE (9) s'éteindra. A partir de ce moment les produits peuvent être introduits dans le four.

Pour consulter l'heure de cuisson:

1. Appuyer sur la touche TIME (7). La diode LED sur la touche s'allumera et l'afficheur clignotera **SET • TIME • mmss**.

Pour consulter la température actuelle du four:

1. Appuyer sur la touche ACT TEMP (6). La diode LED sur la touche s'allumera et l'afficheur indiquera **ACTUAL • nnn°F**.

Pour consulter la température programmée:

1. Appuyer sur la touche SET TEMP (5). La diode LED sur la touche s'allumera et l'afficheur indiquera **SET • TEMP • nnn°F**.

Pour éteindre le four:

1. Appuyer sur la touche ON/OFF (2). Le four est équipé d'un système de refroidissement des arbres de moteurs et de protection des roulements. Les moteur(s) de soufflante(s) de continuer à tourner, quelle que soit la position du commutateur de soufflante. Le ventilateur continuera à tourner jusqu'à ce que le four refroidisse.

AUTRES MESSAGES DE L'AFFICHEUR

WAIT • LOW – la température du four est inférieure à celle programmée. Quand le four atteindra la température programmée l'afficheur indiquera **READY (PRET)**.

READY – le four est prêt à être utilisé.

SET • TIME • mmss – indique l'heure de cuisson.

HIGH • TEMP – la température est bien au dessus de la température programmée. Attendre que l'afficheur annonce **READY (PRET)** avant de faire entrer vos produits.

HIGH • TEMP • LIMIT – a température dépasse la valeur limite maximale. La sonnette d'alarme de température retentira. Eteindre le four et attendre qu'il refroidisse.

HIGH • TEMP • PANEL – la température autour du contrôleur devient excessive. Eteindre le four et attendre qu'il refroidisse.

PROBE • OPEN • PROBE • SHORT – la sonde de température tombe en panne, la sonnette d'alarme retentira. Eteindre le four et contacter votre réparateur agréé.



Utilisation

Ajustements du Four Pour la Cuisson

Le temps de la courroie, la température du four et la circulation d'air jouent un rôle important pour la qualité du produit final obtenu par les fours à convoyeur Blodgett. Utilisez les lignes directrices qui suivent pour ajuster le temps de passage de la courroie et la température du four de votre unité. Si vous avez des questions concernant les autres ajustements du four, veuillez contacter votre représentant local des fours Blodgett.

VITESSE DU CONVOYEUR ET TEMPÉRATURE DU FOUR

La vitesse du convoyeur (temps de cuisson) et la température du four sont les deux variables utilisées pour bien régler votre four selon les exigences d'un aliment particulier. Pour déterminer la température et le temps de cuisson optimal, effectuez de petites modifications tout en maintenant une variable constante. Par exemple, si la température du four est de 238 °C (460 °F) et que la vitesse de la courroie est réglée à 7 minutes, mais que la croûte de pizza n'est pas assez brune, augmentez la température à 246 °C (475 °F) et conservez la même vitesse de la courroie. Par contre, si le centre de la pizza n'est pas complètement cuit, conservez la même température et augmentez le temps de cuisson à 7 minutes 30 secondes. En général, il convient d'augmenter la température pour augmenter le brunissement des aliments et d'augmenter le temps de passage de la courroie pour augmenter la cuisson.

TEMPÉRATURE DES ALIMENTS CUITS

Pour assurer une température sécuritaire des aliments, leur température interne doit être mesurée immédiatement après que ces aliments sortent de la chambre de cuisson. La température interne d'une pizza doit dépasser 74 °C (165 °F). Les directives concernant les températures minimales varient d'un aliment à l'autre.

AJUSTEMENT DE LA CIRCULATION D'AIR

Glissez les plaques d'ajustement du dégagement des aliments au réglage le plus bas pour les articles de votre menu. Des plaques de dégagement plus basses réduisent la perte d'air chaud par les ouvertures de la chambre de cuisson.

En général, les réglages souhaités peuvent être programmés sans pour cela modifier la programmation de la plaque thermique. La configuration du four ne doit pas être modifiée à moins que les réglages de la température et de la durée de cuisson n'aient pas donné les résultats escomptés.

Vous devrez peut-être ajuster la circulation de l'air pour mieux adapter le four à un aliment particulier. La plaque de circulation d'air, située au-dessus de la chambre de cuisson, comporte des trous qui peuvent être couverts par des plaques de blocage. Vous pouvez facilement régler ces plaques selon vos besoins particuliers. Voici les directives générales pour ajuster les plaques de blocage.

1. Assurez-vous que le four est éteint (OFF) et complètement refroidi.
2. Retirer les deux arrêteurs supérieurs. Desserrer les écrous à oreilles au bas de chaque arrêteur.
3. Retirer les retenues des plaques de débit d'air en desserrant les vis à oreilles qui tiennent les retenues en place. Retirer les 4 vis à oreilles du four du côté du boîtier de commande. Glisser les plaques à air tout droit hors des deux côtés du four.
4. Retirez les écrous à oreilles, les vis et les rondelles qui retiennent les plaques de blocage.
5. Ajustez les plaques.
6. Remplacez les écrous à oreilles, les vis et les rondelles pour bien serrer les plaques de blocage dans leur nouvelle position. Faites un schéma du montage final pour une référence future.
NOTE: Vous pouvez enlever complètement une ou deux plaques de blocage pour obtenir les résultats désirés.
7. Remplacez la plaque de circulation d'air et les deux arrêteurs supérieurs.



Ajustements du four pour la cuisson

Les exemples qui suivent illustrent la régulation de la circulation d'air.

NOTE: La première moitié de la chambre du four a une grande influence sur la cuisson des aliments, tandis que la seconde moitié influence plutôt le brunissement.

- Vous avez établi un bon temps et une bonne température de cuisson, mais vous désirez un meilleur brunissement. Glissez une des plaques de blocage pour découvrir une rangée de trous du côté de la sortie du four.
- Le fond de la pizza est brun doré mais le dessus est trop foncé. Recouvrez des rangées de trous vers la sortie du four pour réduire le brunissement.
- Le centre de la pizza est encore mou et les garnitures ne sont pas complètement cuites. Découvrez des rangées de trous à l'entrée de la chambre et fermez celle situées du côté de la sortie.



Entretien

Nettoyage



AVERTISSEMENT!!

Débranchez le four de la prise de courant avant son nettoyage ou son entretien.



AVERTISSEMENT!!

Si le four doit être plus écarté du mur, l'alimentation en gaz doit être coupée et la canalisation débranchée du four avant d'enlever la chaîne. Celle-ci doit être utilisée pour empêcher d'exercer toute contrainte sur le coupleur de gaz.

Il convient de respecter le programme de nettoyage recommandé ci-après pour obtenir un fonctionnement et des performances corrects.

Quotidiennement:

1. Nettoyer la bande transporteuse avec une brosse métallique. Laisser tomber tous les débris dans les plateaux à miettes.
2. Retirer la butée de produit et les deux plateaux à miettes des extrémités de la bande transporteuse.
3. Vider et nettoyer les plateaux à miettes avec un mélange d'eau chaude et de détergent. Rincer à l'eau claire.

Tous les trois mois:

1. Débrancher le four.
2. Débrancher les connexions de gaz. S'assurer que les câbles de contrôle du four (câbles de type ordinateur qui vont du boîtier de commande au panneau de commande) ont de 70 à 90 cm de mou.
3. Nettoyer les volets de refroidissement des deux côtés du four à l'aide d'une brosse douce.

Tous les six mois:

1. Retirer la butée de produit et les deux plateaux à miettes des extrémités de la bande transporteuse.
2. Retirer les deux arrêteurs supérieurs. Desserer les écrous à oreilles au bas de chaque arrêteur.

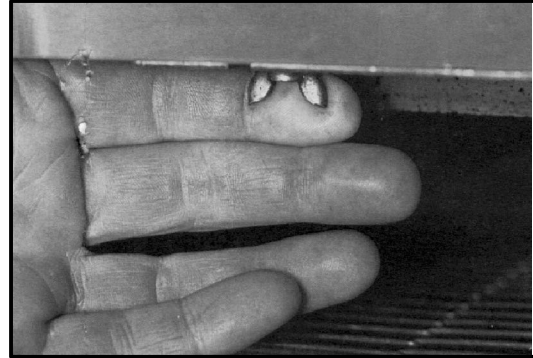


Figure 17

3. Retirer les plaques du débit d'air comme suit:
 - c.) Retirer les retenues des plaques de débit d'air en desserrant les vis à oreilles qui tiennent les retenues en place. Retirer les 4 vis à oreilles du four du côté du boîtier de commande.



Figure 18

- d.) Glisser les plaques à air tout droit hors des deux côtés du four.



Figure 19

4. Retirer les deux arrêteurs inférieurs.
5. Retirer l'ensemble de la bande transporteuse comme suit:
 - a.) Retirer la vis à oreilles de 1/4 qui tient la bande transporteuse sur le boîtier de contrôle.
 - b.) Glisser légèrement la bande transporteuse dans le four et retirer la chaîne d'entraînement du pignon d'entraînement de la bande transporteuse.
 - c.) Glisser l'ensemble de la bande transporteuse hors de l'extrémité du boîtier de contrôle.

NOTE: Soulever l'extrémité éloignée de la bande transporteuse pour dégager des guides de la bande transporteuse. Manier la bande transporteuse avec précautions pour éviter de se pincer en la repliant.

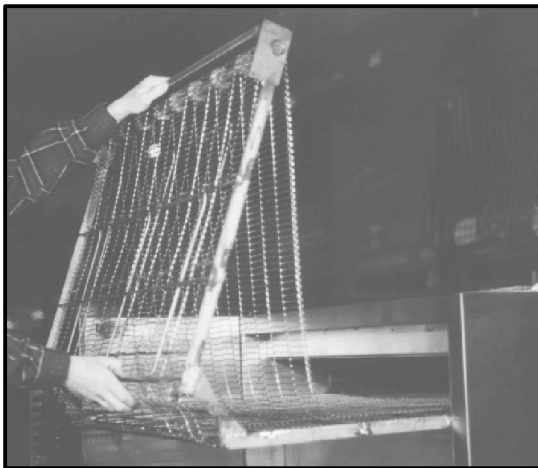


Figure 20

6. Retirer les buses comme suit :
 - a.) Retirer le boulon de la patte de retenue. Soulever la patte tout droit et la sortir du four en glissant l'une ou l'autre des extrémités.

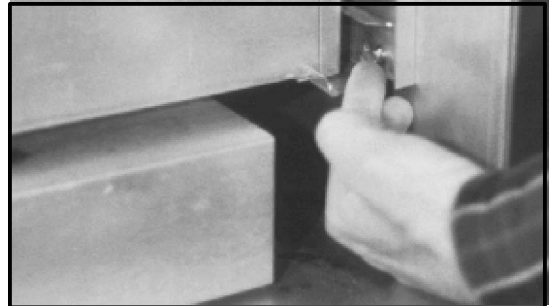


Figure 21

- b.) Pousser les buses vers la paroi arrière du four. Soulever le bord avant et le tourner vers soi en glissant le bord arrière hors du conduit.

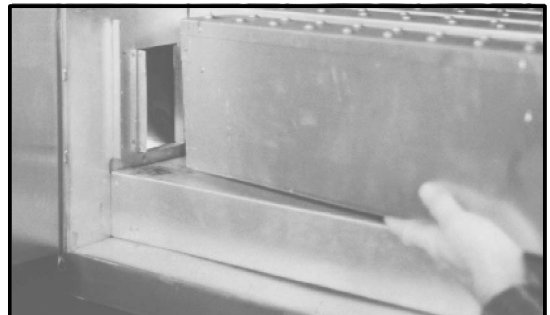


Figure 22

7. Retirer les déviateurs de retour d'air. Soulever l'avant de chaque déviateur. Glisser les attaches de bout du dessous du bord extérieur de la paroi arrière du four.

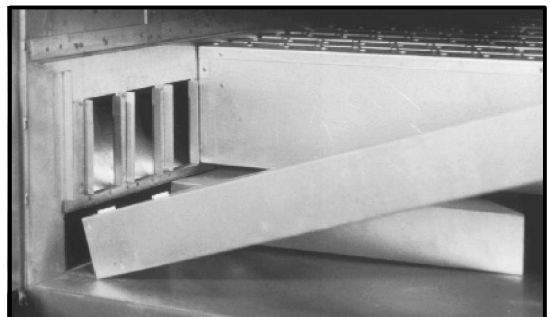


Figure 23

8. Faire tremper la bande transporteuse dans un mélange d'eau chaude/détergent.



Entretien

Nettoyage

- Nettoyer les plateaux à miettes, remettre les déviateurs de retour d'air, buses, plaques de débit d'air et arrêteurs dans un mélange d'eau chaude/détergent. Rincer à l'eau claire. Pour les nettoyages difficiles utiliser un produit de dégraissage ou de nettoyage de four pour gros travaux qui est sans danger pour l'aluminium.

NOTE: NE PAS immerger les arrêteurs. Ils contiennent un isolant.

- Nettoyer l'intérieur du four avec un produit de nettoyage tout usage ou avec un produit de nettoyage de four sans danger pour l'aluminium.
- Déplacer le four, pour nettoyer au-dessous. NE PAS endommager le tuyau de gaz ni les fils électriques pendant le déplacement.
- Pour le remontage, procéder en inversant les étapes de 1-7. S'assurer que les déviateurs et buses sont correctement installés. Se reporter à la Figure 24.

Tous les 12 mois:

Un technicien d'entretien agréé par l'usine doit:

- Ouvrir le panneau de commande et nettoyer l'intérieur de celui-ci.
- Vérifier et resserrer toutes les connexions électriques.
- Contrôler l'usure des balais du moteur C.C. à engrenage.
- Vérifier la propreté et le bon graissage de la chaîne d'entraînement de bande transporteuse.

Si un entretien s'avère nécessaire, adressez-vous à l'usine, au représentant de celle-ci ou à une société d'entretien locale pour effectuer l'entretien et les réparations nécessaires.



AVERTISSEMENT!!

Débranchez le four de la prise de courant avant son nettoyage ou son entretien.



AVERTISSEMENT!!

Si le four doit être plus écarté du mur, l'alimentation en gaz doit être coupée et la canalisation débranchée du four avant d'enlever la chaîne. Celle-ci doit être utilisée pour empêcher d'exercer toute contrainte sur le coupleur de gaz.

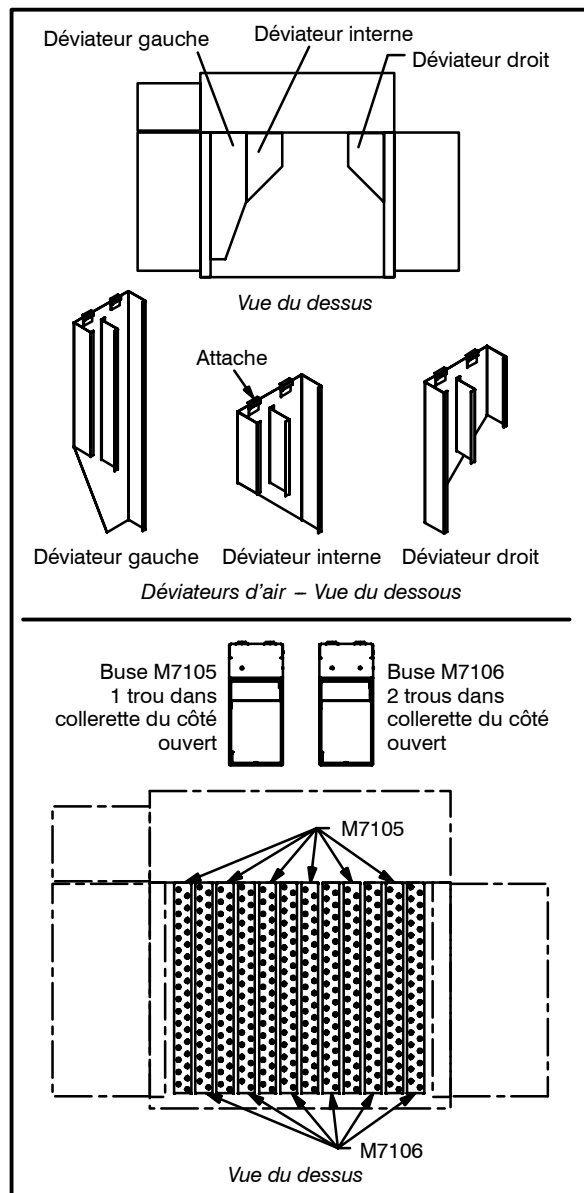


Figure 24

Emplacements des Composants du Boîtier de Commande

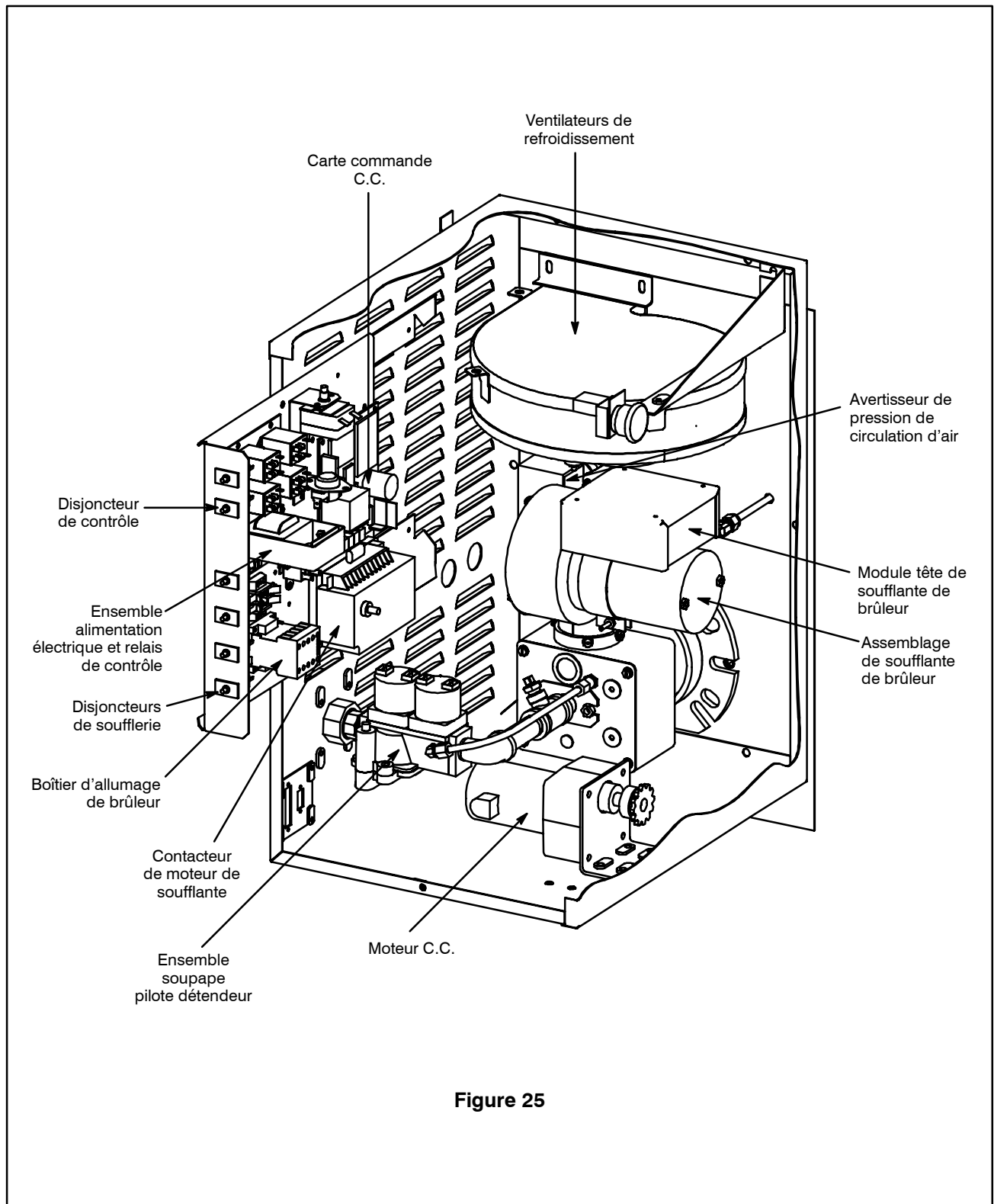


Figure 25



Entretien

Guide de Détection des Pannes

CAUSE(S) PROBABLE(S)	SUGGESTION
SYMPTOME: Le ou les moteurs de ventilation ne fonctionnent pas	
<ul style="list-style-type: none">• L'ordinateur de contrôle est en position OFF (Arrêt)• Interrupteur d'arrêt d'urgence sur OFF (ARRÊT)• Le four n'est pas alimenté• Le disjoncteur du moteur est ouvert• Le disjoncteur du contrôle est ouvert• Le ou les moteurs sont grillés	<ul style="list-style-type: none">• Le mettre sur ON (Marche)• Le mettre sur ON (Marche)• Remettre à zéro les coupe-circuits• *• *• *
SYMPTOME: L'ordinateur de contrôle affiche: Probe Open Probe Short et alarme sonore	
<ul style="list-style-type: none">• Sonde RTD ouverte ou en court-circuit• Le contrôle n'est pas correctement installé• Problème interne posé par le contrôle• Les raccords du thermocouple sont lâches au niveau de contrôle	<ul style="list-style-type: none">• Appuyer sur CLEAR pour arrêter le ronfleur• Le réinstaller• *• *
<p>*Indique un type d'intervention délicate qui devrait être confiée uniquement à un personnel qualifié. Plutôt que d'intervenir personnellement, en tant qu'utilisateur ou acheteur de l'appareil, il est conseillé de confier TOUT réglage et/ou TOUTE réparation à un agent commercial ou représentant local Blodgett. Blodgett ne saura être tenu responsable d'un dommage résultant d'une réparation ou d'un service d'entretien effectué par un personnel non qualifié.</p>	

Guide de Détection des Pannes

CAUSE(S) PROBABLE(S)	SUGGESTION
SYMPTOME: Le brûleur refuse de s'allumer	
<ul style="list-style-type: none"> • Le contrôle est sur OFF (Arrêt) • Interrupteur d'arrêt d'urgence sur OFF (ARRÊT) • Le ou les moteurs de ventilation ne marchent pas • Le contrôle n'est pas réglé à une température supérieure à la température ambiante • Le robinet à gaz à réglage manuel est fermé • Contrôle de haute limite déclenché • L'ordinateur de contrôle est défectueux • Disjoncteur du contrôle ouvert • Interrupteur de pression d'air dérégulé • Interrupteur thermique déclenché dans compartiment de contrôle 	<ul style="list-style-type: none"> • Le mettre sur ON (Marche) • Le mettre sur ON (Marche) • • Le régler à la température désirée • Ouvrir le robinet • * • * • * • * • Température excessive de l'air d'admission – vérifier le système de la hotte
SYMPTOME: Le four n'atteint pas la température désirée	
<ul style="list-style-type: none"> • Le four reçoit une pression de gaz insuffisante • Plaques à air supérieures manquantes • Système de haute limite de température dérégulé • Problème interne posé par le contrôleur de température principal 	<ul style="list-style-type: none"> • Vérifier que le débranchement rapide est correctement calé • S'adresser à la compagnie de distribution de gaz locale • Installer plaques à air • * • *
<p>*Indique un type d'intervention délicate qui devrait être confiée uniquement à un personnel qualifié. Plutôt que d'intervenir personnellement, en tant qu'utilisateur ou acheteur de l'appareil, il est conseillé de confier TOUT réglage et/ou TOUTE réparation à un agent commercial ou représentant local Blodgett. Blodgett ne saura être tenu responsable d'un dommage résultant d'une réparation ou d'un service d'entretien effectué par un personnel non qualifié.</p>	



AVERTISSEMENT!!

Débranchez le four de la prise de courant avant son nettoyage ou son entretien.



Entretien

Guide de Détection des Pannes

CAUSE(S) PROBABLE(S)	SUGGESTION
SYMPTOME: Le tapis du convoyeur ne veut pas se mettre en marche	
<ul style="list-style-type: none">• Le disjoncteur du convoyeur est en position OFF (Arrêt)• Interrupteur d'arrêt d'urgence sur OFF (ARRÊT)• Disjoncteur du contrôle ouvert• Le tapis est accroché à quelque chose dans le four• Le moteur d'entraînement du convoyeur est défectueux• Le contrôleur du moteur d'entraînement du convoyeur est défectueux	<ul style="list-style-type: none">• Le mettre sur ON (Marche)• Le mettre sur ON (Marche)• *• Arrêter le four OFF (Arrêt), décrocher et libérer le tapis• *• *
SYMPTOME: Le brûleur marche de manière sporadique	
<ul style="list-style-type: none">• Interrupteur de pression d'air dérégulé• Interrupteur thermique déclenché	<ul style="list-style-type: none">• *• *
SYMPTOME: Le panneau de contrôle affiche la température limite et le ronfleur se déclenche	
	<ul style="list-style-type: none">• ARRÊTER le four et attendre qu'il se refroidisse.
SYMPTOME: Le système de la hotte ne fonctionne pas quand le four est allumé	
<ul style="list-style-type: none">• Problème d'alimentation du ventilateur de l'évacuation• Circuit de verrouillage défectueux	<ul style="list-style-type: none">• Prendre contact avec le service HVAC• *
<p>*Indique un type d'intervention délicate qui devrait être confiée uniquement à un personnel qualifié. Plutôt que d'intervenir personnellement, en tant qu'utilisateur ou acheteur de l'appareil, il est conseillé de confier TOUT réglage et/ou TOUTE réparation à un agent commercial ou représentant local Blodgett. Blodgett ne saura être tenu responsable d'un dommage résultant d'une réparation ou d'un service d'entretien effectué par un personnel non qualifié.</p>	



AVERTISSEMENT!!

Débranchez le four de la prise de courant avant son nettoyage ou son entretien.

**INSERT
WIRING DIAGRAM
HERE**

**PLACER
SCHÉMA DE CÂBLAGE
ICI**