



**SG2136 E & G  
CONVEYOR OVEN  
REPLACEMENT PARTS LIST**



**EFFECTIVE AUGUST 29, 2001**

Superseding All Previous Parts Lists.

The Company reserves the right to make substitution in the event that items specified are not available.  
ERRORS: Descriptive and/or typographic errors are subject to correction.

[www.blodgett.com](http://www.blodgett.com)

**SERIAL NUMBER LOCATION / KEY:**

***IMPORTANT: When ordering parts, please provide the model, gas type and serial number of the oven. The identification plate is located on the front of the control box above the conveyor belt.***

**SERIAL NUMBER IDENTIFICATION CODE:**

**FC = SG2136 GAS OVENS**

**FD = SG2136 ELECTRIC OVENS**

**SERIAL NUMBER EXAMPLES**

**072501FC001T**

**07/25/01 = DATE**

**FC = LETTER CODE FOR SG2136 GAS**

**001 = FACTORY SEQUENCE**

**T = TOP, B = BOTTOM, M = MIDDLE, S = SINGLE**

**(LAST LETTER IS HOW OVEN WAS PURCHASED OR ORDERED)**

**THE BLODGETT CORPORATION**

50 Lakeside Avenue, Burlington, Vermont 05401 USA  
Telephone: (802) 860-3700 (800) 331-5842 Fax: (802) 860-3732  
[www.blodgett.com](http://www.blodgett.com)

## TABLE OF CONTENTS

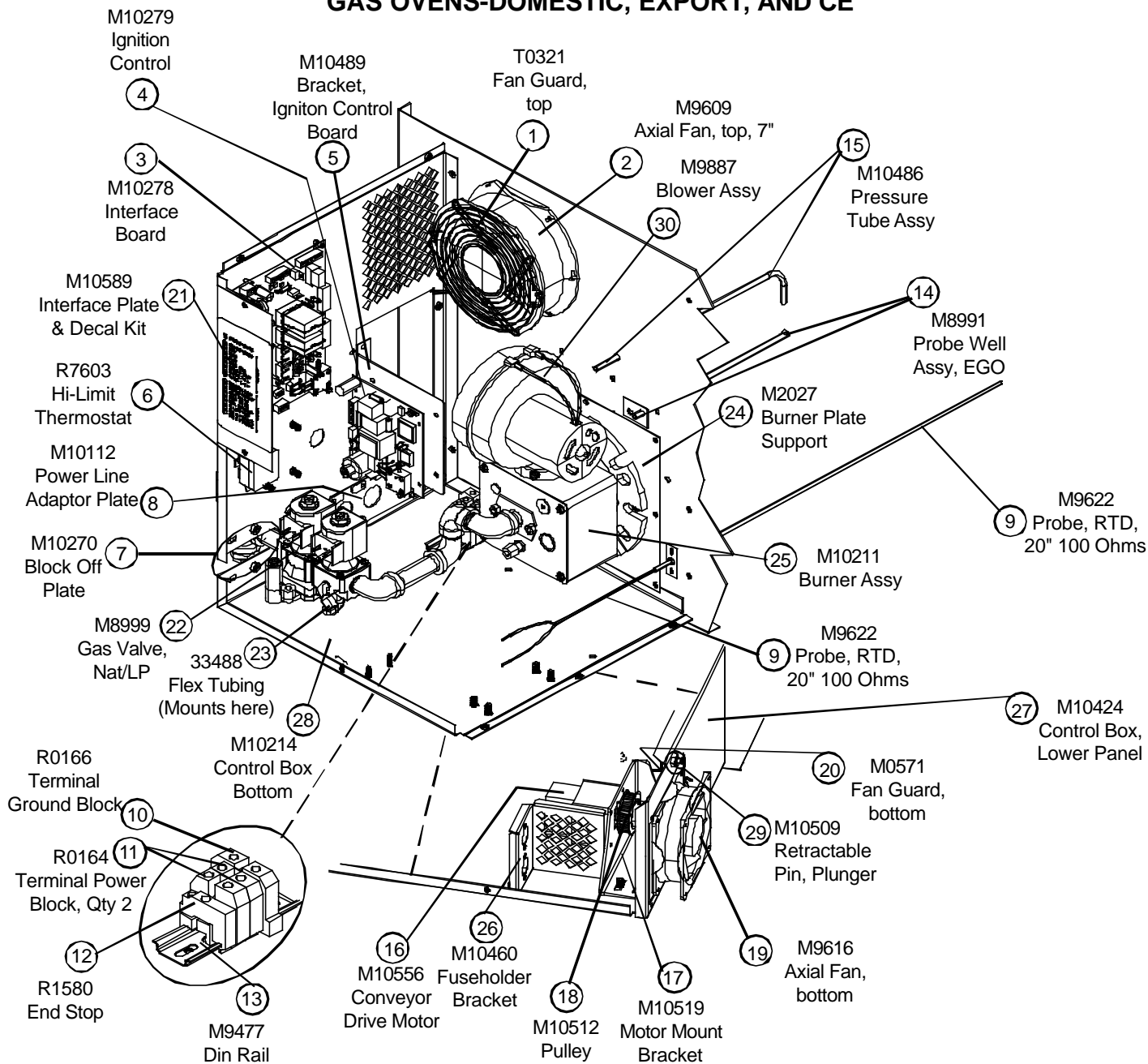
## ◆ Doors Are Not Returnable

<i>CONTROL BOX, ELECTRIC INTERIOR VIEW.....</i>	<i>PAGE 4</i>
<i>CONTROL BOX, GAS INTERIOR VIEW.....</i>	<i>PAGE 5</i>
<i>INTERFACE BOARD, EXPLODED.....</i>	<i>PAGE 6</i>
<i>CONTROL BOX EXTERIOR &amp; INTERIOR TOP VIEW.....</i>	<i>PAGE 7</i>
<i>GAS BURNER COMPONENTS, DOMESTIC.....</i>	<i>PAGE 8</i>
<i>GAS BURNER COMPONENTS, CE &amp; EXPORT.....</i>	<i>PAGE 9</i>
<i>GAS BURNER COMPONENTS, FRANCE &amp; BELGIUM.....</i>	<i>PAGE 10</i>
<i>CONVECTION COMPONENTS.....</i>	<i>PAGE 11</i>
<i>CONVEYOR COMPONENTS - SINGLE BELT.....</i>	<i>PAGE 12</i>
<i>CONTROL COMPONENTS.....</i>	<i>PAGE 13</i>
<i>CONTROL COMPONENTS - EXPLODED REAR/FRONT VIEWS.....</i>	<i>PAGE 14</i>
<i>DOOR COMPONENTS.....</i>	<i>PAGE 15</i>
<i>EXTERIOR VIEW &amp; ACCESSORIES.....</i>	<i>PAGE 16</i>
<i>STACKING KITS.....</i>	<i>PAGE 17</i>



# CONTROL BOX - INTERIOR VIEW

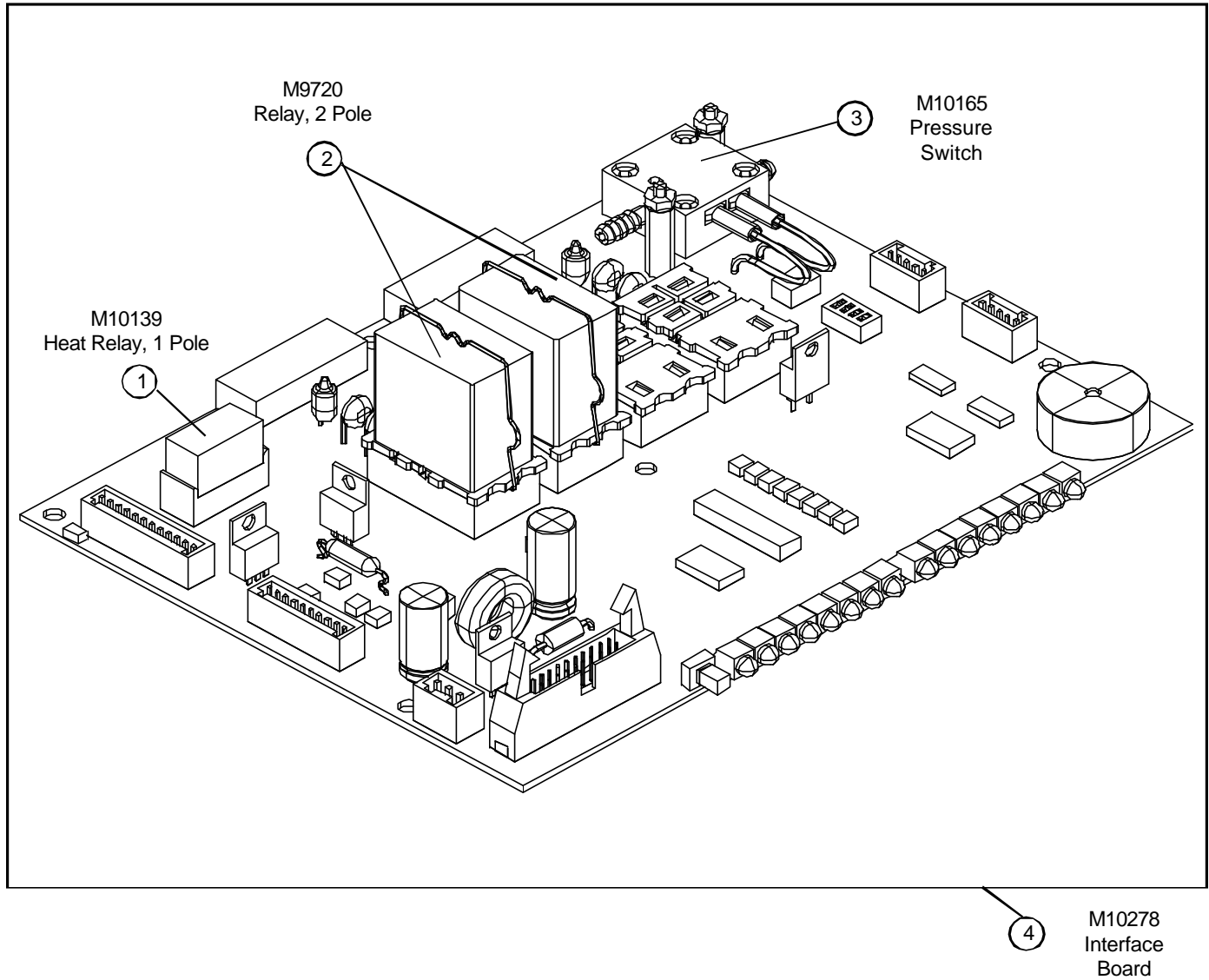
## GAS OVENS-DOMESTIC, EXPORT, AND CE



Ref. No.	Part No.	Description
1	T0321	Fan Guard, top
2	M9609	Axial Fan, top, 7"
3	M10278	Interface Board
4	M10279	Ignition Control Board
5	M10489	Bracket, Ignition Control Board
6	R7603	Hi-Limit Thermostat
7	M10270	Block Off Plate, Gas Ovens
8	M10112	Plate, Power Line Adaptor, Gas Ovens
9	M9622	Probe, RTD 20" 100 Ohms
10	R0166	Terminal Ground Block, Qty 1 per oven
11	R0164	Terminal Power Block, Qty 2 per oven
12	R1580	End Stop, Terminal Block, Qty 1 per oven
13	M9477	Din Rail, for Terminal Block mounting
14	M8991	Probe Well Assy, EGO
15	M10486	Pressure Tube Assy
16	M10556	Conveyor Drive Motor

Ref. No.	Part No.	Description
17	M10519	Motor Mount Bracket
18	M10512	Pulley, Sprocket
19	M9616	Axial Fan, bottom
20	M0571	Fan Guard, bottom
21	M10589	Interface Plate & Decal Kit
22	M8999	Gas Valve, Nat & LP
23	33488	Flex Tubing, 12"
24	M2027	Burner Plate Support
25	M10211	Burner Assy
26	M10460	Fuseholder Bracket
27	M10424	Control Box, Lower Panel
28	M10214	Control Box, Bottom
	M10471	Control Box Top Assy, not pictured, see page 6
29	M10509	Retractable Pin Plunger, Locking
30	M9887	Blower, Burner

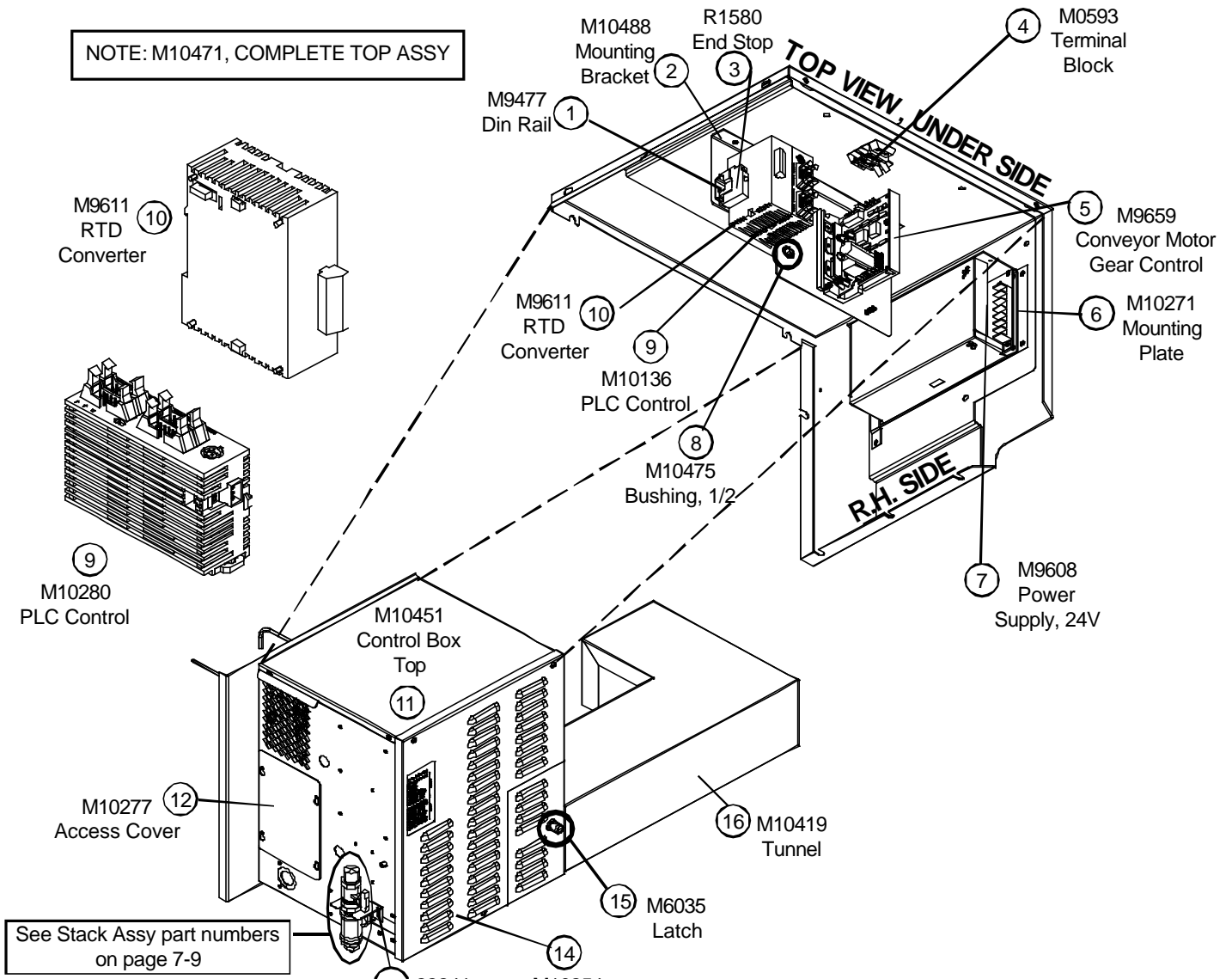
### INTERFACE BOARD COMPONENTS



<u>Ref. No.</u>	<u>Part No.</u>	<u>Description</u>
1	M10139	Heat Relay, 1 Pole
2	M9720	Relay, 2 Pole Qty 2
3	M10165	Pressure Switch
	M9705	Tubing Polyurethane for pressure switch
4	M10278	Interface Board, Complete as shown above

**CONTROL BOX EXTERIOR & INTERIOR TOP VIEW**

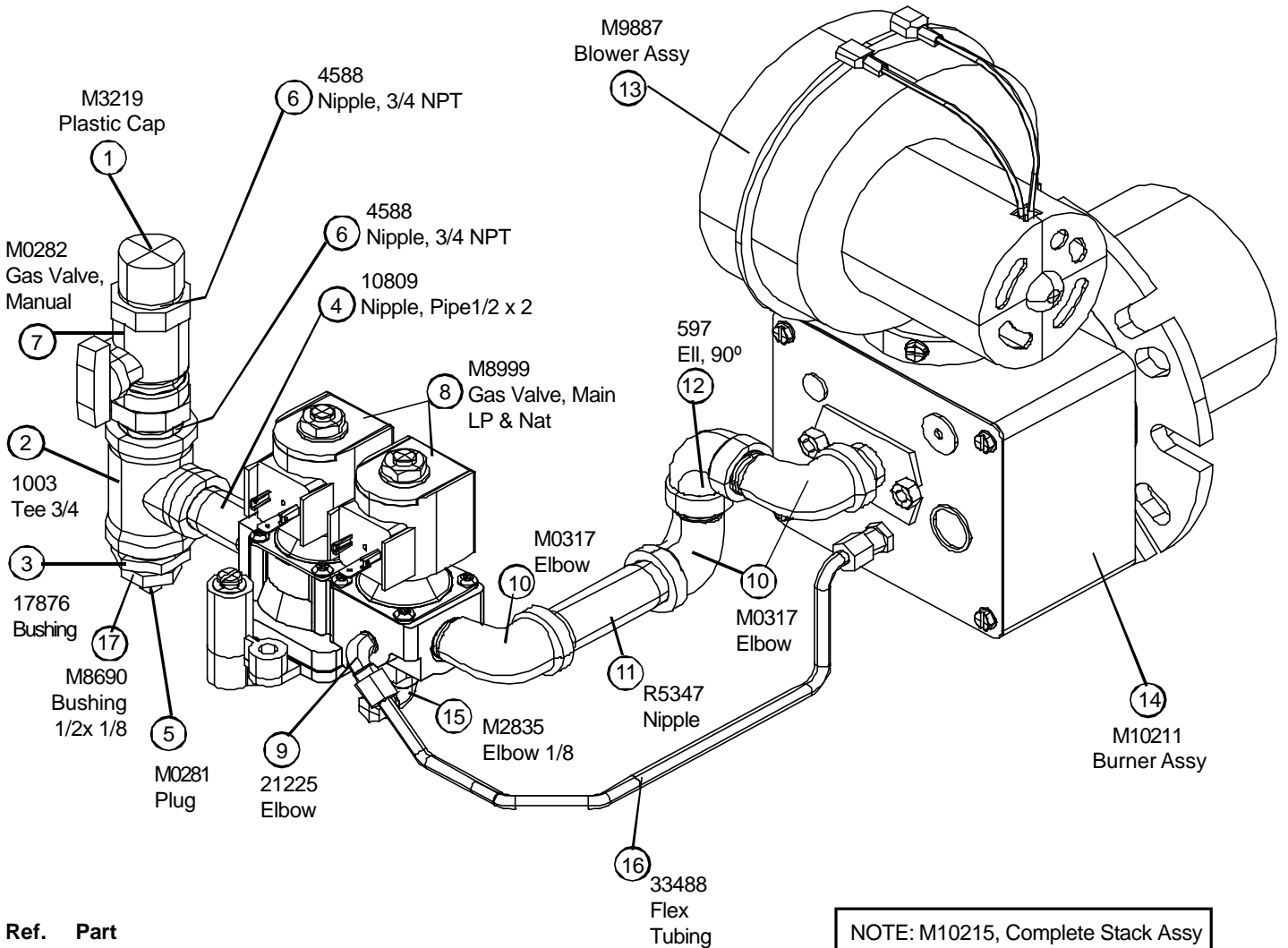
**DOMESTIC, EXPORT, AND CE**



Ref. No.	Part No.	Description
1	M9477	Din Rail
2	M10488	Mounting Bracket
3	R1580	End Stop
4	M0593	Terminal Block
5	M9659	Conveyor Motor Gear Control
6	M10271	Mounting Plate
7	M9608	Power Supply, 24V
8	M10475	Bushing 1/2
9	M10280	PLC Control
10	M9611	RTD Converter
11	M10451	Control Box Top
12	M10277	Access Cover
13	22241	Manifold Bracket
14	M10254	Access Panel, Control Box
15	M6035	Latch, Access Panel
16	M10419	Tunnel

# GAS BURNER COMPONENTS

## DOMESTIC OVENS



Ref. No.	Part No.	Description
1	M3219	Plastic Cap
2	1003	Tee, 3/4
3	17876	Bushing 3/4 x 1/2
4	10809	Nipple, Pipe 1/2 x 2
5	M0281	Plug 1/8
6	4588	Nipple 3/4"
7	M0282	Gas Valve, Manual
8	M8999	Gas Valve, Main LP & Nat
9	21225	Elbow 1/4 x 1/8
10	M0317	Elbow 1/2 NPT Street Qty 3 per oven
11	R5347	Nipple 1/2 NPT x 3.00
12	597	El, Black 90°
13	M9887	Blower Motor Assy
14	M10211	Burner Assy
	M0415	Flame Sensor, not pictured
	M10593	Pilot Burner & Ignitor Assy, NAT
	M10594	Pilot Burner & Ignitor Assy, LP
15	M2835	Elbow 1/8
16	33488	Flex Tubing 1/4 x 12"
17	M8690	Bushing 1/2 x 1/8

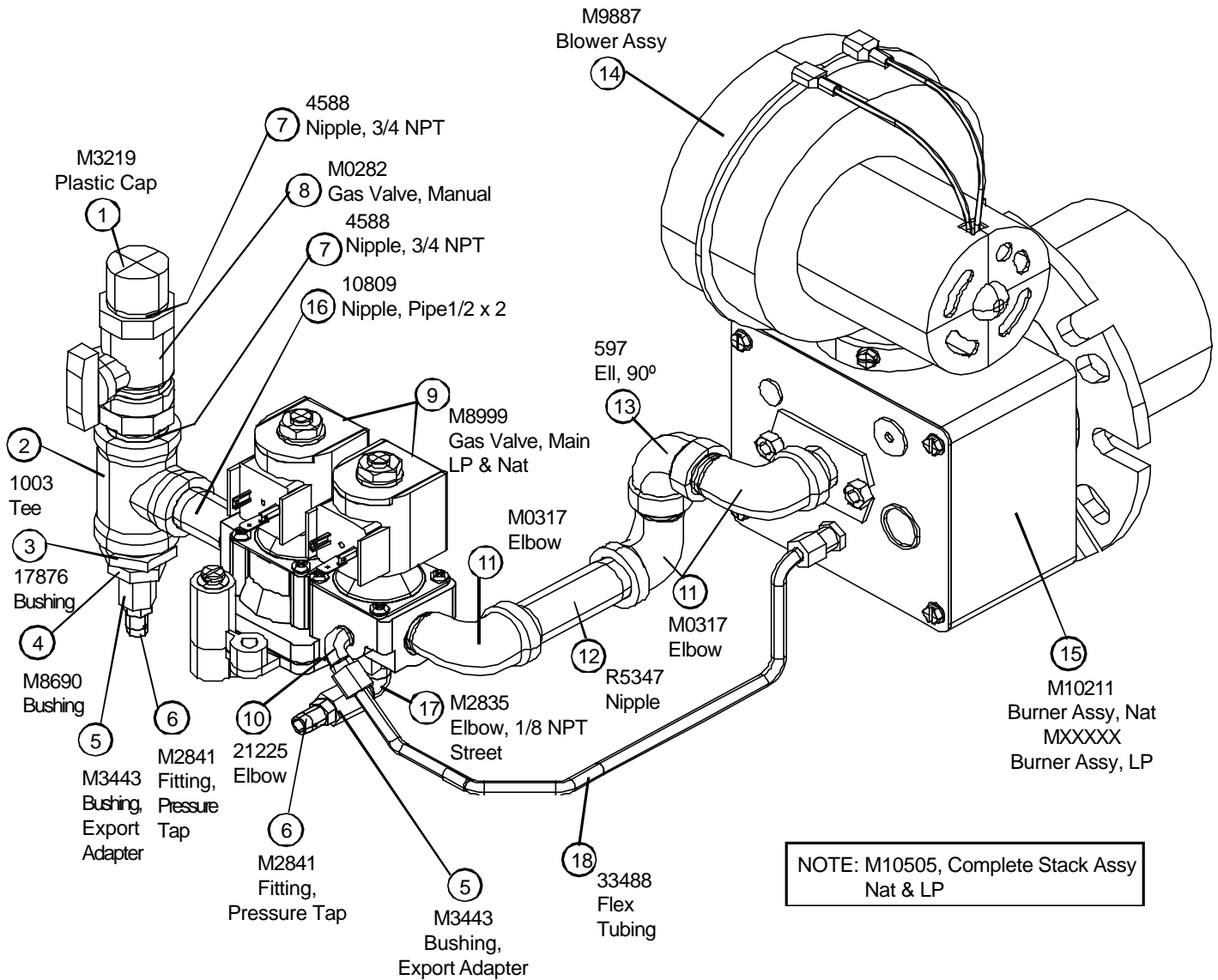
NOTE: M10215, Complete Stack Assy  
Nat & LP



# GAS BURNER COMPONENTS

FOR EXPORT & CE OVENS ONLY

EXCEPT FOR FRANCE & BELGIUM, SEE PAGE 9



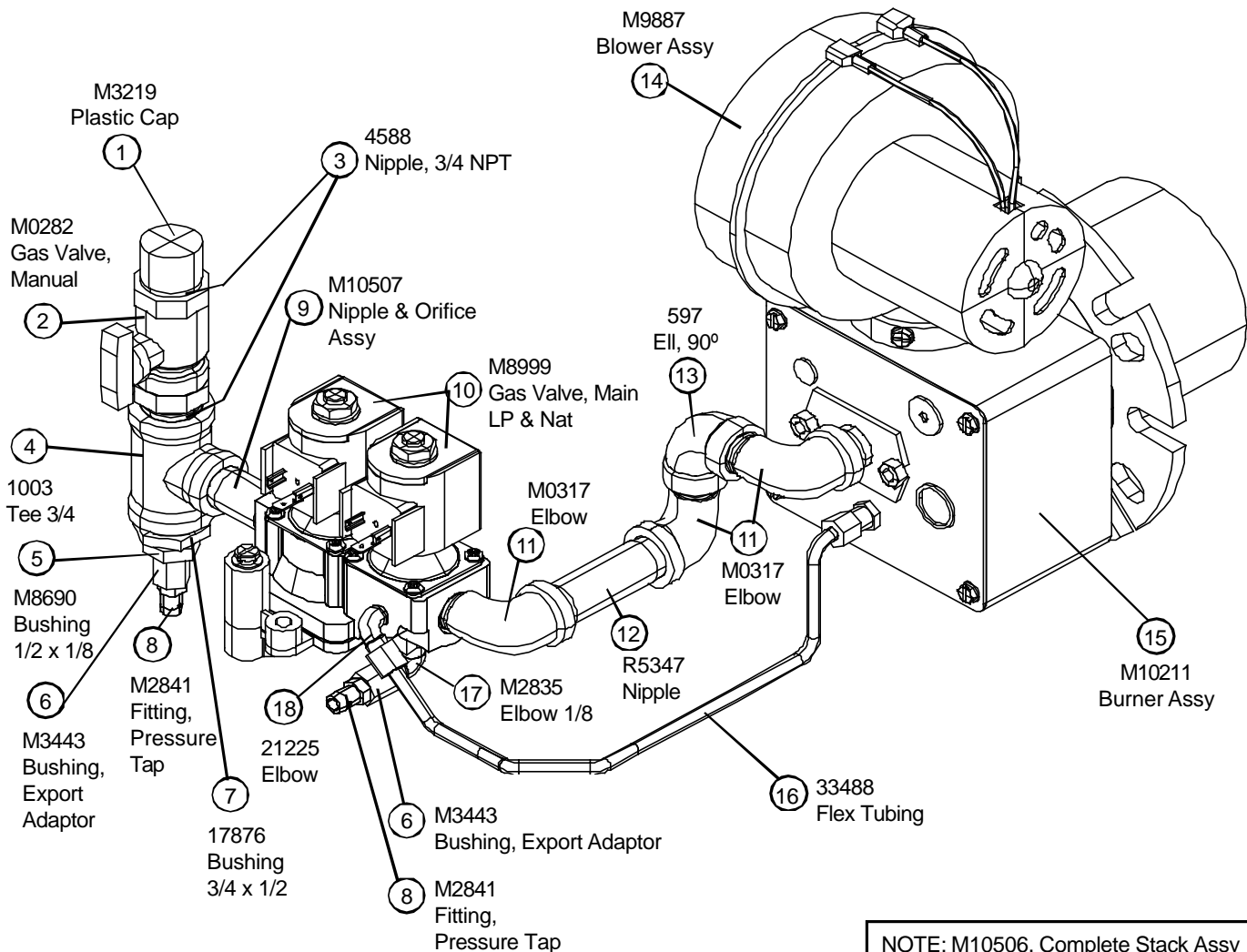
NOTE: M10505, Complete Stack Assy  
Nat & LP

Ref. No.	Part No.	Description
1	M3219	Plastic Cap
2	1003	Tee
3	17876	Bushing
4	M8690	Bushing 1/2 x 1/8
5	M3443	Bushing Export Adapter
6	M2841	Fitting, Pressure Tap
7	4588	Nipple 3/4 NPT
8	M0282	Gas Valve, Manual
9	M8999	Gas Valve, Main LP & Nat
10	21225	Elbow 1/4 T x 1/8 NPT
11	M0317	Elbow 1/2 NPT Street Qty 3 per oven
12	R5347	Nipple 1/2 NPT x 3.00
13	597	Ell, Black 90°
14	M9887	Blower Motor Assy

Ref. No.	Part No.	Description
15	M10211	Burner Assy
	M0415	Flame Sensor, not pictured
	M10593	Pilot Burner & Ignitor Assy, NAT
	M10594	Pilot Burner & Ignitor Assy, LP
16	10809	Nipple, Pipe 1/2 x 2
17	M2835	Elbow 1/8 NPT Street
18	33488	Flex Tubing 1/4 x 12"
	M10700	Gas Conversion Kit, LP to NAT CE & Gen Exp
	M10701	Gas Conversion Kit, Nat to LP CE& Gen Exp
	M10505	Complete Stack Assy, Nat & LP as shown above

## GAS BURNER COMPONENTS

### FRANCE & BELGIUM OVENS ONLY



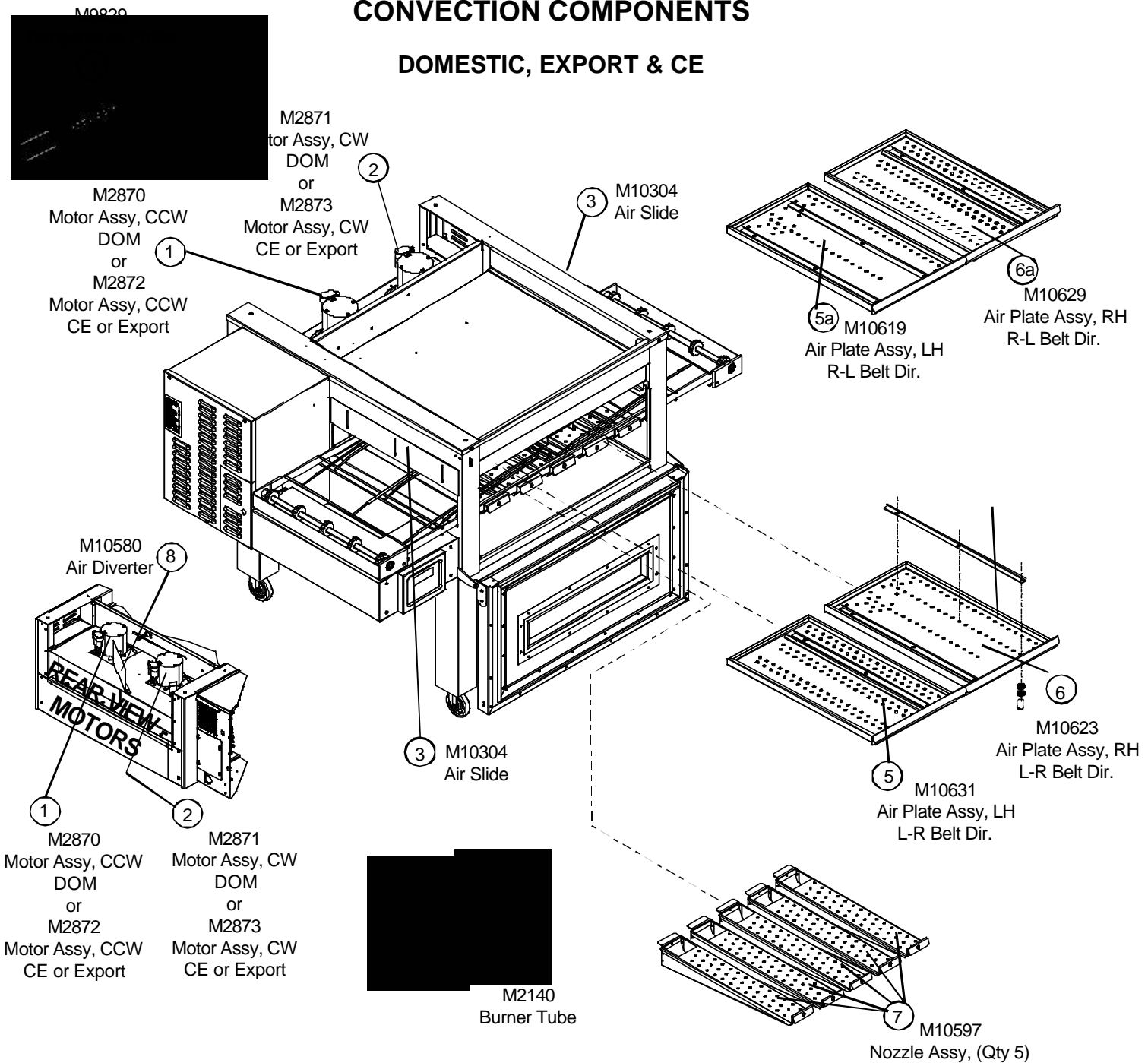
NOTE: M10506, Complete Stack Assy  
Nat & LP

<u>Ref. No.</u>	<u>Part No.</u>	<u>Description</u>
1	M3219	Plastic Cap
2	M0282	Gas Valve, Manual
3	4588	Nipple, 3/4 NPT
4	1003	Tee 3/4
5	M8690	Bushing 1/2 x 1/8
6	M3443	Bushing, Export Adaptor
7	17876	Bushing 3/4 x 1/2
8	M2841	Fitting, Pressure Tap
9	M10507	Nipple & Orifice Assy
10	M8999	Gas Valve, Main LP & Nat
11	M0317	Elbow 1/2 NPT Street Qty 3 per oven
12	R5347	Nipple
13	597	Eil, 90°
14	M9887	Blower Motor Assy

<u>Ref. No.</u>	<u>Part No.</u>	<u>Description</u>
15	M10211	Burner Assy
	M0415	Flame Sensor, not pictured
	M10593	Pilot Burner & Ignitor Assy, NAT
	M10594	Pilot Burner & Ignitor Assy, LP
16	33488	Flex Tubing 12"
17	M2835	Elbow 1/8
18	21225	Elbow
	M10702	Gas Conversion Kit, LP to Nat France and Belgium
	M10708	Gas Conversion Kit, Nat to LP France and Belgium
	M10506	Complete Stack Assy, Nat & LP as shown above

# CONVECTION COMPONENTS

## DOMESTIC, EXPORT & CE

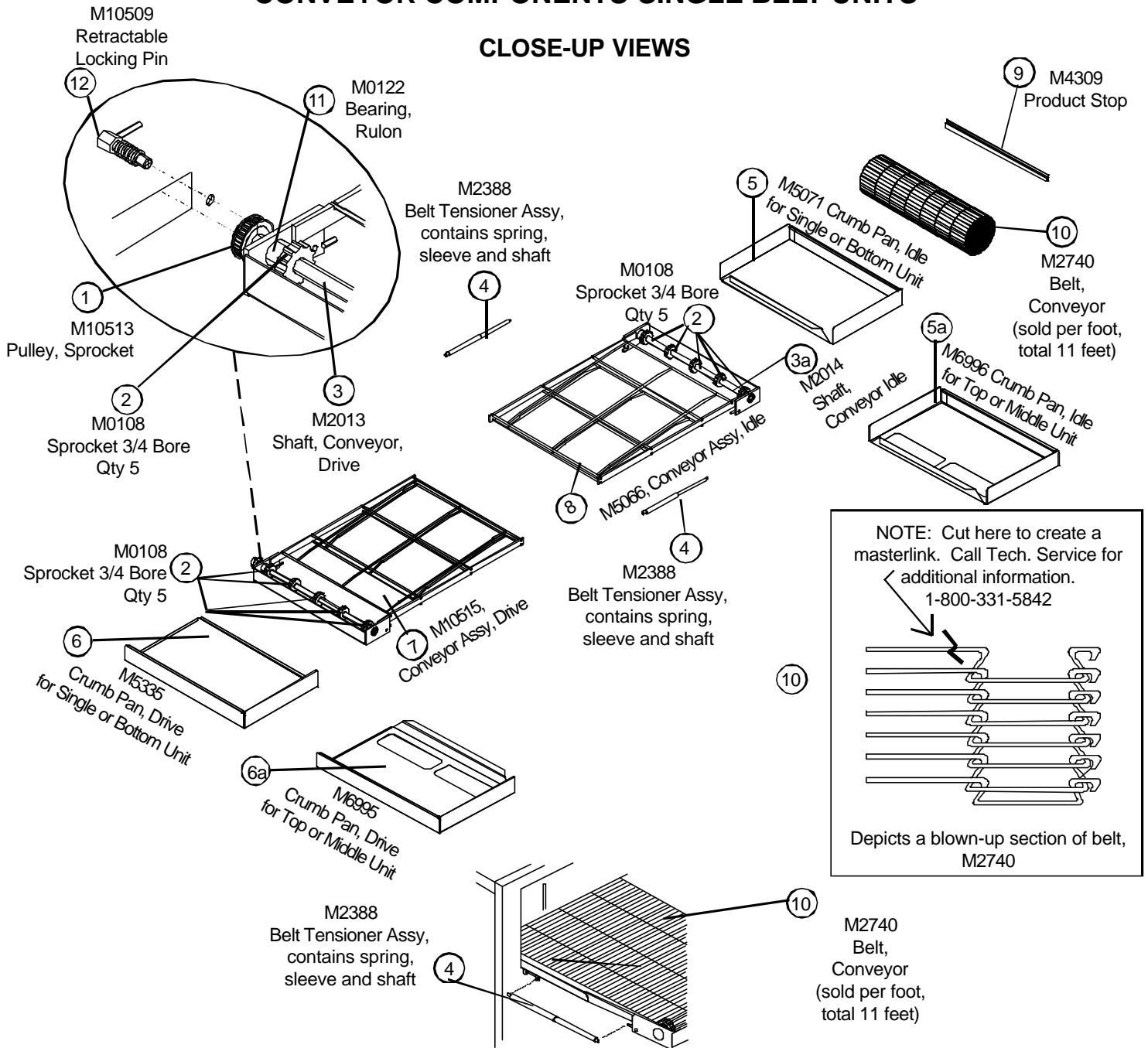


Ref. No.	Part No.	Description
1	M2870	Motor & Blower Assy, CCW Domestic
2	M2871	Motor & Blower Assy, CW Domestic
1	M2872	Motor & Blower Assy, CCW CE, Gen Exp
2	M2873	Motor & Blower Assy, CW CE, Gen Exp
	M10585	Blower Insulation Kit
3	M10304	Air Slide, Qty 2 per oven
4	M9829	Probe, RTD 2" 100 Ohms
5	M10631	Air Plate Assy, LH L-R Belt Direction
6	M10623	Air Plate Assy, RH L-R Belt Direction
5a	M10619	Air Plate Assy, LH R-L Belt Direction
6a	M10629	Air Plate Assy, RH R-L Belt Direction
	24613	Hook, Air Pan not pictured

Ref. No.	Part No.	Description
7	M10597	Nozzle Assy, Qty 5 per oven
8	M10580	Air Diverter, not shown, located in between motors.
9	M2140	Burner Tube Assy

CONVEYOR COMPONENTS-SINGLE BELT UNITS

CLOSE-UP VIEWS

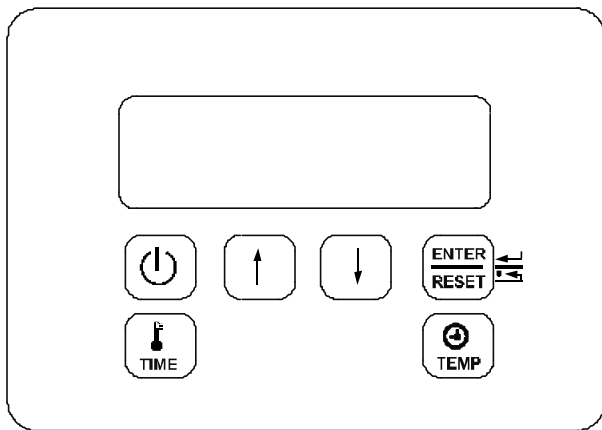


Ref. No.	Part No.	Description
1	M10513	Pulley, Sprocket
	M10572	Belt, for pulley 16"
2	M0108	Sprocket, 3/4 Bore, 10 per unit, 5 per conveyor assy
3	M2013	Shaft, Conveyor Drive Side
3a	M2014	Shaft, Conveyor Idle Side
4	M2388	Belt Tensioner Assy
5	M5071	Crumb Pan, Remote, Idle for Single or Bottom Units
5a	M6996	Crumb Pan, Remote, Idle for Top or Middle Units
6	M5335	Crumb Pan, Remote, Drive for Single or Bottom Units
6a	M6995	Crumb Pan, Remote, Drive for Top or Middle Units
	M10581	Crumb Pan, Integral, Drive for Top or Middle Units
	M10570	Crumb Pan, Integral, Idle for Top or Middle Units
7	M10515	Conveyor Assy, Drive Side
8	M5066	Conveyor Assy, Idle Side

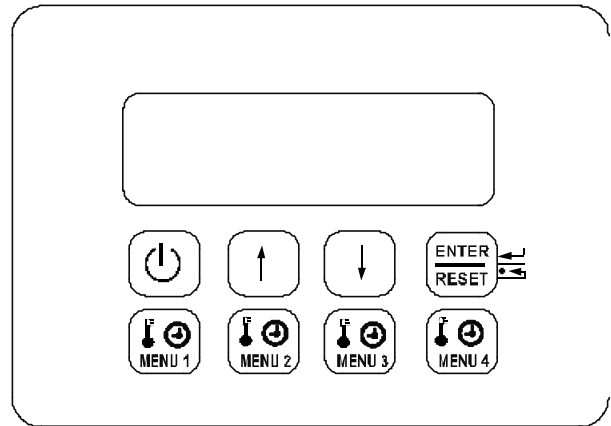
Ref. No.	Part No.	Description
9	M4309	Product Stop
10	M2740	Belt, Wire S/S for Conveyor Assy 21" wide Sold per foot, total 11 feet
11	M0122	Bearing, Rulon, 4 per unit, 2 per conveyor assy
12	M10509	Retractable Locking Pin, for conveyor shaft

# CONTROL COMPONENTS

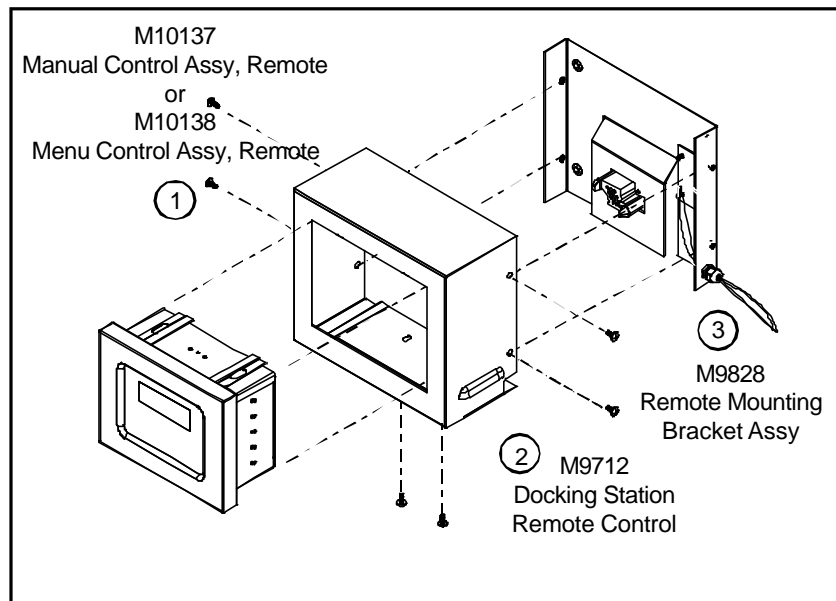
## DOMESTIC, EXPORT, AND CE



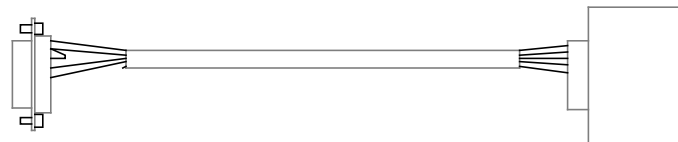
**FRONT VIEW OF "MANUAL" CONTROL OPTION**



**FRONT VIEW OF "MENU" CONTROL OPTION**



**REMOTE CONTROL OPTION ONLY**



④ M9723  
Harness, Display

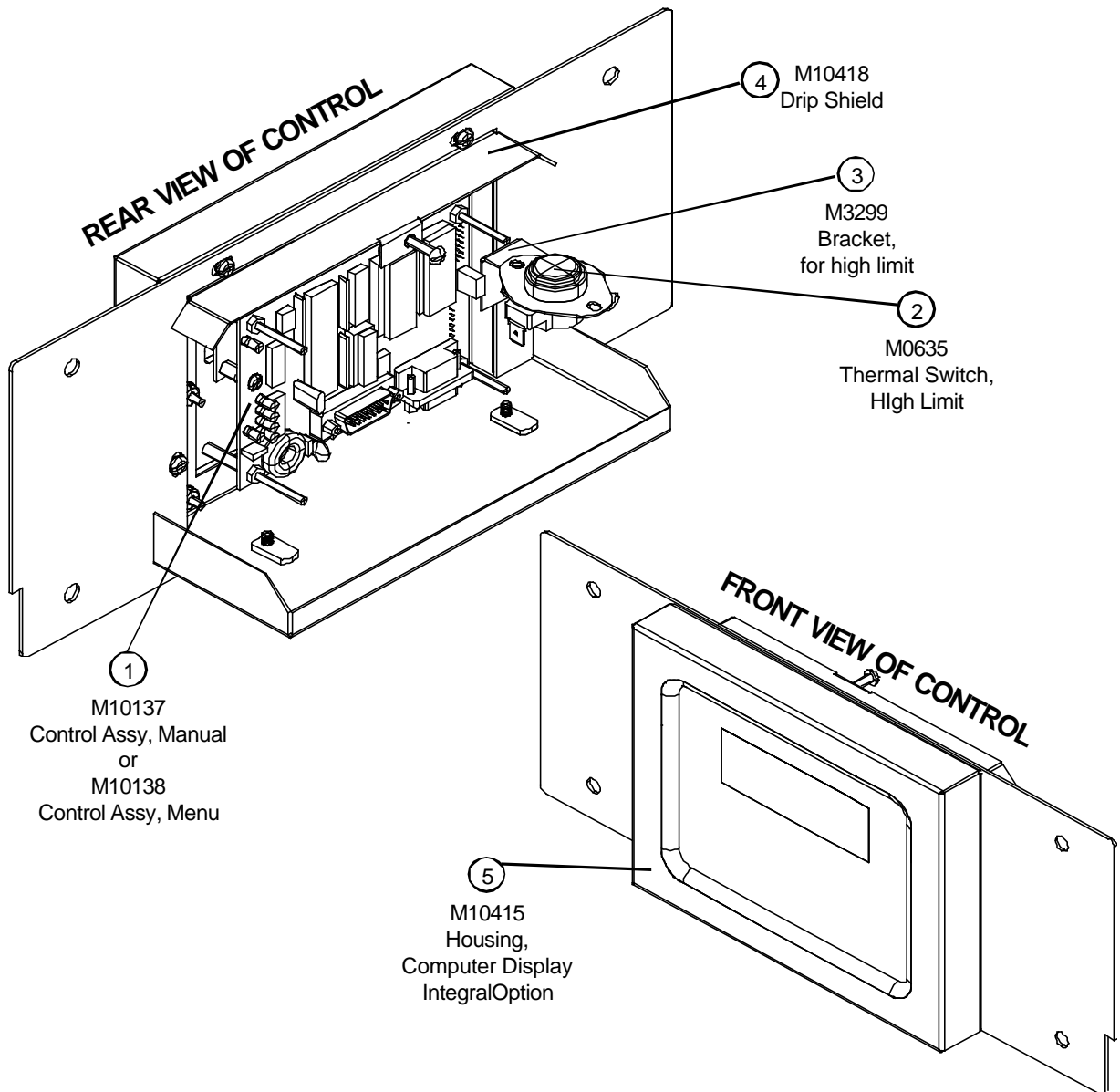
<u>Ref. No.</u>	<u>Part No.</u>	<u>Description</u>
1	M10137	Control Assy, Manual
1	M10138	Control Assy, Menu
2	M9712	Docking Station, Remote Control
3	M9828	Remote Mounting Bracket Assy

**NOTE:** Decals are not available separately. You must purchase the entire control assy.

<u>Ref. No.</u>	<u>Part No.</u>	<u>Description</u>
	M9836	Remote Cable Assy, 10 foot
	M9837	Remote Cable Assy, 50 foot
	M9722	Harness, PLC to Interface Board4
4	M9723	Harness, Display
	M9836	Remote Cable Assy, 10 foot
	M9837	Remote Cable Assy, 50 foot
	M9722	Harness, PLC to Interface Board
	M10151	Power Circuit Board, Remote Controls
	M10153	Power Circuit Board, Integral Controls

CONTROL REAR & FRONT VIEW

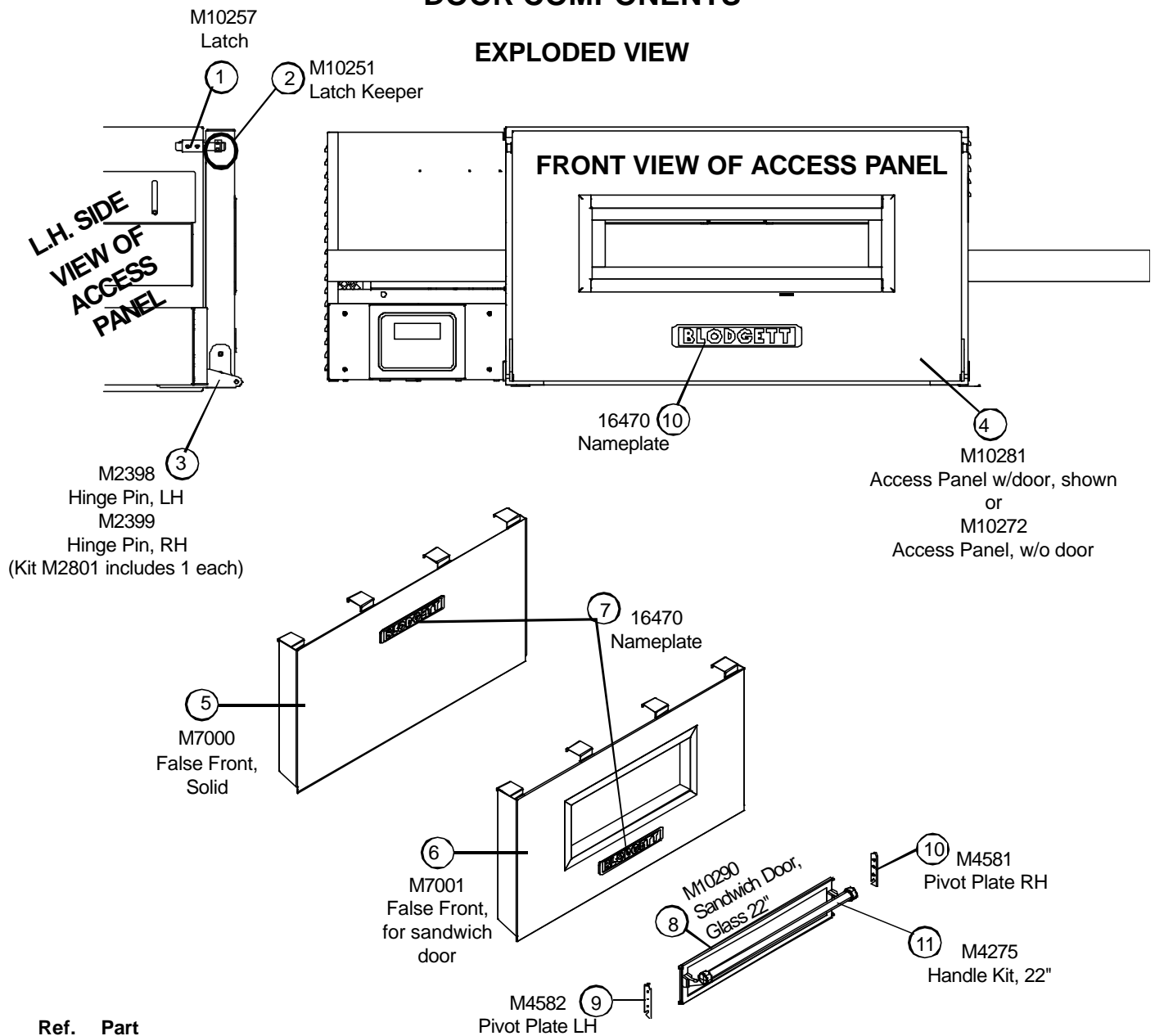
DOMESTIC, EXPORT, AND CE



<u>Ref. No.</u>	<u>Part No.</u>	<u>Description</u>
1	M10137	Control Assy, Manual
1	M10138	Control Assy, Menu
2	M0635	Thermal Switch, High Limit
3	M3299	Bracket, for Switch
4	M10418	Drip Shield
5	M10415	Housing, Computer Display Integral Option

**DOOR COMPONENTS**

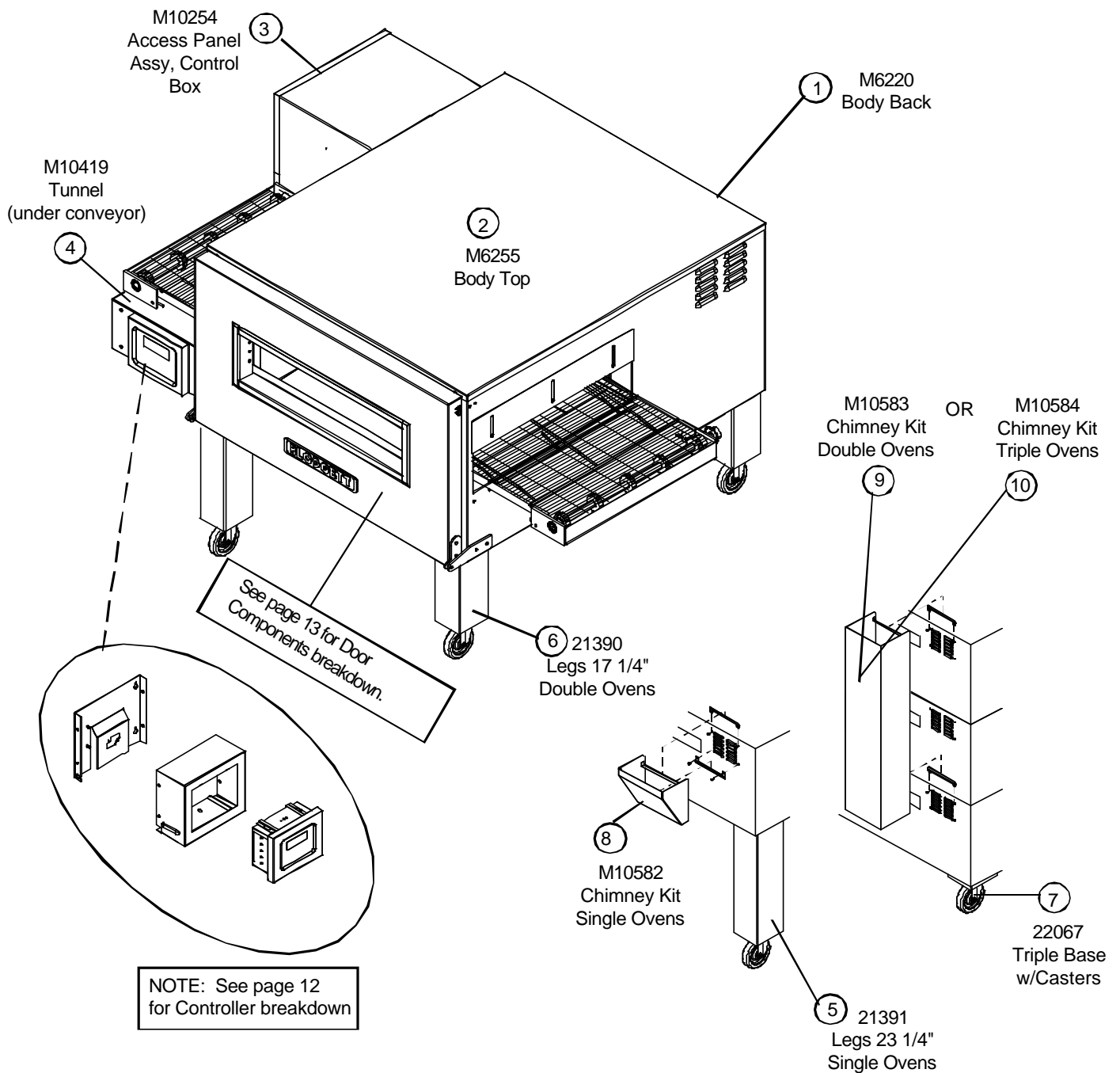
**EXPLODED VIEW**



<u>Ref. No.</u>	<u>Part No.</u>	<u>Description</u>
1	M10257	Latch, Access Panel
2	M10251	Latch Keeper, Access Panel
3	M2398	Hinge Pin, LH
3	M2399	Hinge Pin, RH
3	M2801	Hinge Pin Kit, RH & LH Contains 1 each of M2398 & M2399
4	M10281	Access Panel w/sandwich door
	M10272	Access Panel w/o sandwich door, not pictured
5	M7000	False Front, Solid
6	M7001	False Front, w/sandwich door opening
7	16470	Nameplate
8	M10290	Sandwich Door, Glass 22" w/handle
9	M4582	Pivot Plate, for sandwich door LH
10	M4581	Pivot Plate, for sandwich door RH
11	M4275	Handle Kit, for sandwich door

EXTERIOR VIEW & ACCESSORIES

EXPLODED



Ref. No.	Part No.	Description
1	M6220	Body Back
2	M6255	Body Top
3	M10254	Access Panel Assy, Control Box
4	M10419	Tunnel Assy
5	21391	Legs, Set of 4, 23 1/4" Single Ovens
6	21390	Legs, Set of 4, 17 1/4" Double Ovens
7	22067	Triple Base & casters, Set of 4, Triple Ovens
	14444	Casters, Cradle, Triple Ovens

NOTE: Legs or caster kits must be ordered in addition to your stacking kit. See page 17.

21242	Gas Installation Hose, 48" Quick Disconnect
21826	Gas Installation Hose, 36" Quick Disconnect

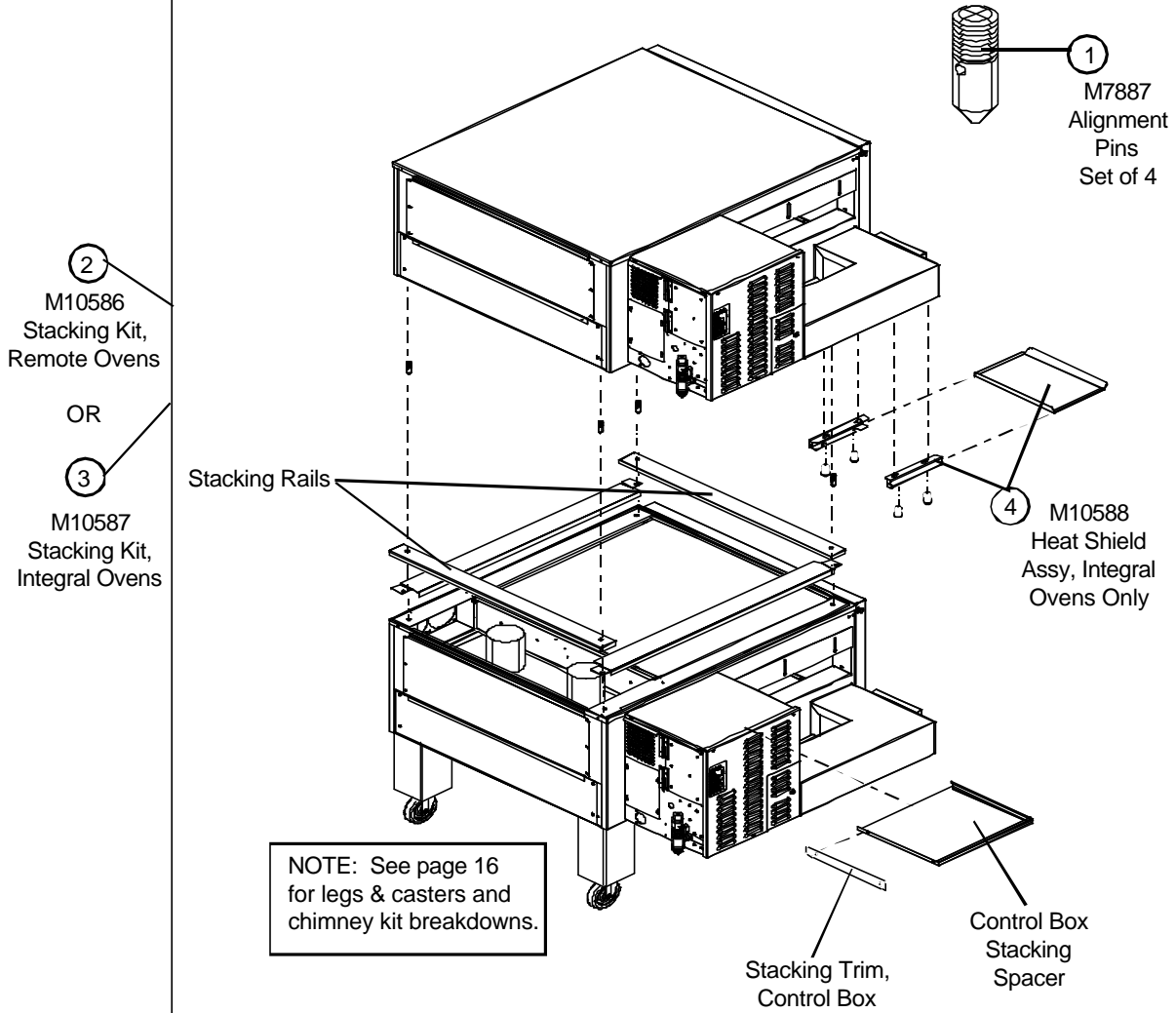
Ref. No.	Part No.	Description
	M7002	Product Extension 6"
	M6997	Product Extension 12"
8	M10582	Chimney Kit, Single Ovens
9	M10583	Chimney Kit, Double Ovens
10	M10584	Chimney Kit, Triple Ovens

NOTE: Chimney Kits must be ordered in addition to your stacking kit. See page 17.



# STACKING KITS

**NOTE: STACKING KITS INCLUDE ALL COMPONENTS DEPICTED HERE - EXCEPT LEGS.**



<u>Ref. No.</u>	<u>Part No.</u>	<u>Description</u>
1	M7887	Alignment Pins, Set of 4
2	M10586	Stacking Kit, Remote Computer Ovens
3	M10587	Stacking Kit, Integral Computer Ovens
<p><b>NOTE:</b> Stacking Kits include all stacking rails, stacking trims, heat shield &amp; brackets, and crumb pans with all applicable hardware. <u>Legs or caster kits and chimney kits must be ordered separately. See page 16.</u></p>		
4	M10588	Heat Shield Assy, Integral Ovens only
<p><b>NOTE:</b> Remote ovens do not utilize a heat shield kit. There is no need for one, because there is no tunnel to attach the heat shield on to.</p>		

