



SG3240E AND SG3240G  
CONVEYOR OVEN  
REPLACEMENT PARTS LIST



**EFFECTIVE JUNE 26, 2001**

**BLODGETT OVEN COMPANY**, 50 Lakeside Avenue, Burlington, Vermont 05401 USA  
Telephone: (802) 860-3700 (800) 331-5842 Fax: (802) 860-3732  
[www.blodgett.com](http://www.blodgett.com)

Superseding All Previous Parts Lists.  
The Company reserves the right to make substitution in the event that items specified are not available.  
ERRORS: Descriptive and/or typographic errors are subject to correction.

[www.blodgett.com](http://www.blodgett.com)

**IMPORTANT:** When ordering parts, please provide the model, gas type and serial number of the oven. The identification plate is located on the left side of the oven on the control tunnel.

# SG3240E & G

June 26, 2001

- ASAP Distributor Required Stocking Parts
- ◆ Doors Are Not Returnable
- \* Item Is Too Large For UPS

2

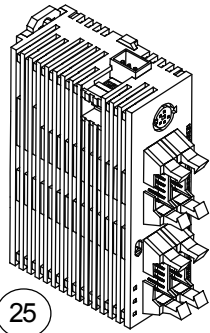
## ELECTRICAL COMPONENTS

| Ref. No.   | Part No.                                   | Description  |
|--|--|--|
| 17   | <input checked="" type="checkbox"/> M10137 | Controller, Manual Lexan (Replaces M9557)                          |
| 17   | <input checked="" type="checkbox"/> M10138 | Controller, Menu Lexan (Replaces M9558)                            |
| 25   | <input checked="" type="checkbox"/> M10280 | Control, PLC   |
| 26   | <input checked="" type="checkbox"/> M10278 | Interface Board  |
| <p><b>NOTE:</b> The M10278 has the pressure switch mounted on it. Do not purchase M10165 pressure switch if you are purchasing M10278.</p> |  |  |
| 27   | <input checked="" type="checkbox"/> M9611  | RTD Converter  |
|  | M8991                                      | Probe Well Assy.   |
| 28   | <input checked="" type="checkbox"/> M9622  | Probe, RTD, 20", 100 ohm (Bake Chamber)                            |
| 35   | <input checked="" type="checkbox"/> M3295  | Thermostat, High Limit (Manual Reset)                              |
|  | M0152                                      | Switch, Emergency Stop   |
|  | M3296                                      | Knob, Emergency Stop Switch (Mushroom Shape)                       |
|  | M3297                                      | Nameplate, Emergency Stop  |
|  | <input checked="" type="checkbox"/> M9836  | Remote Cable Assy., 10 Foot  |
|  | <input checked="" type="checkbox"/> M9837  | Remote Cable Assy., 50 Foot  |
|  | M10153                                     | Remote Control Power Circuit Board (integral controls)             |
|  | M10151                                     | Remote Control Power Circuit Board (housing - remote controls)     |
|  | M10030                                     | Conversion Kit, Integral to Remote Mounted Controls, w/10 ft cable |
|  | M10031                                     | Conversion Kit, Integral to Remote Mounted Controls, w/50 ft cable |
|  | <input checked="" type="checkbox"/> M9609  | Axial Fan, 7", 24V DC  |
|  | <input checked="" type="checkbox"/> M9616  | Axial Fan, 4", 24V DC  |
| 41   | <input checked="" type="checkbox"/> M9720  | Relay, Convection Blower, 2 Pole 24V DC                            |
| 40   | <input checked="" type="checkbox"/> M10139 | Relay, Heat, 1 Pole 24V DC   |
|  | <input checked="" type="checkbox"/> M9722  | Harness, PLC to Interface Board                                    |
|  | M9723                                      | Harness, Display   |
|  | M9910                                      | Cord Set, 250V, 1 pole (Gas ovens only, US/CAN)                    |
| 29   | <input checked="" type="checkbox"/> M8976  | Element Assy., 208V 3 Phase, 3 Wire                                |
| 29   | <input checked="" type="checkbox"/> M8977  | Element Assy., 240V 3 Phase, 3 Wire                                |
|  | M10524                                     | Element, Individual, 208V, 3 Phase, 3 Wire                         |
|  | M10525                                     | Element, Individual, 240V, 3 Phase, 3 Wire                         |
| 30   | <input checked="" type="checkbox"/> M9630  | Contact, 100Amp, 24V DC (Electric Ovens Only)                      |
|  | M9877                                      | Wire, 6 ga, White, 8" (for M9630)                                  |
|  | M9878                                      | Wire, 6 ga, White, 12" (for M9630)                                 |
| 39   | <input checked="" type="checkbox"/> M9608  | Power Supply   |
|  | M10111                                     | Adapter Plate, Incoming Power (Gas Ovens Only)                     |
|  | M10112                                     | Adapter Plate, Incoming Power (Electric Ovens Only)                |

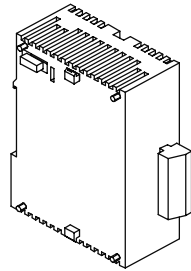
## ELECTRICAL COMPONENTS-CONT'D.

| Ref. No. | Part No.                                  | Description  |
|----------|---|--|
|          | M9732                                     | Harness, Control (Electric Ovens Low Volt)   |
|          | M9733                                     | Harness, Blower (Electric Ovens High Volt)   |
|          | M9734                                     | Harness, Interface Board to Motor Control  |
|          | M9838                                     | Harness, Blower (Gas Ovens High Volt)  |
|          | M9842                                     | Harness, Control (Gas Ovens Low Volt)  |
|          | <input checked="" type="checkbox"/> M0158 | Fuse Holder (Qty 2) (NOT for CE)   |
|          | <input checked="" type="checkbox"/> M4988 | Fuse 5AMP, Class G (Qty 2) (NOT for CE)  |
|          | <input checked="" type="checkbox"/> M3714 | Terminal Block, 3 Pole (for 3 phase, 3 wire ovens) (Electric Ovens Only, Qty 1 per oven) |
| 37       | <input checked="" type="checkbox"/> R0164 | Terminal Block Qty 2 per oven, ALL gas ovens used w/R0164                                |
|          | <input checked="" type="checkbox"/> R0166 | Ground Block Qty 1 per oven used w/R0164   |
|          | R1580                                     | End Stop, Terminal Block (Qty 1) used w/R0164  |

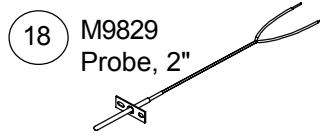
### SG3240 ELECTRICAL COMPONENTS



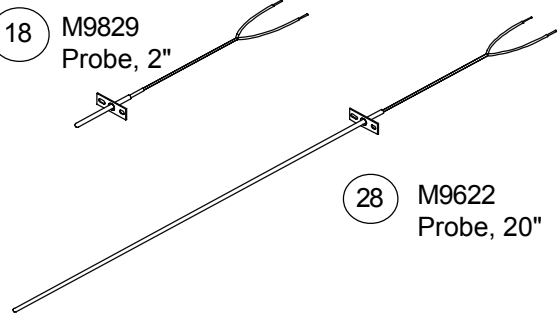
25  
M10280  
PLC Assy



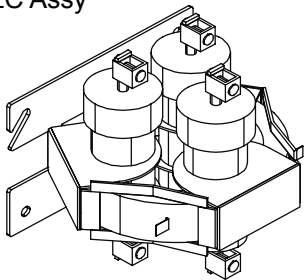
27  
M9611  
RTD Converter



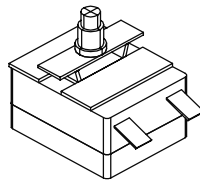
18  
M9829  
Probe, 2"



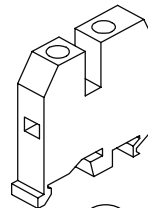
28  
M9622  
Probe, 20"



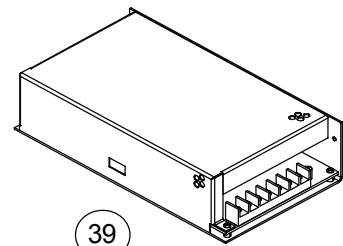
30  
M9630  
Contactor



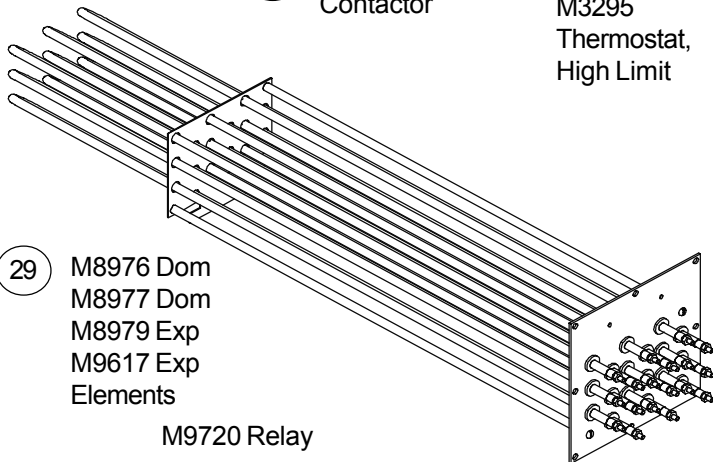
35  
M3295  
Thermostat,  
High Limit



37  
R0164  
Terminal  
Block

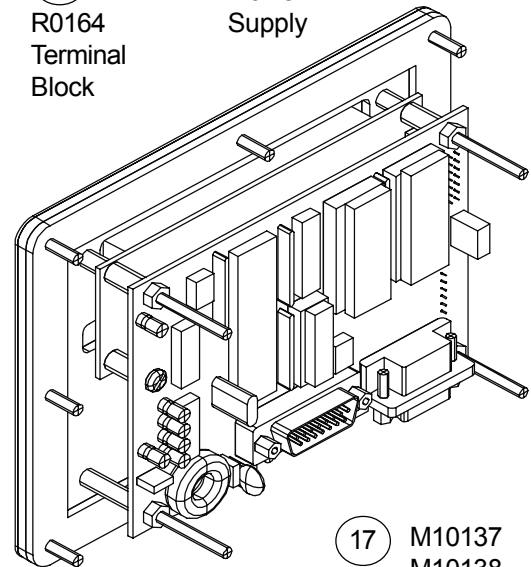


39  
M9608  
Power  
Supply

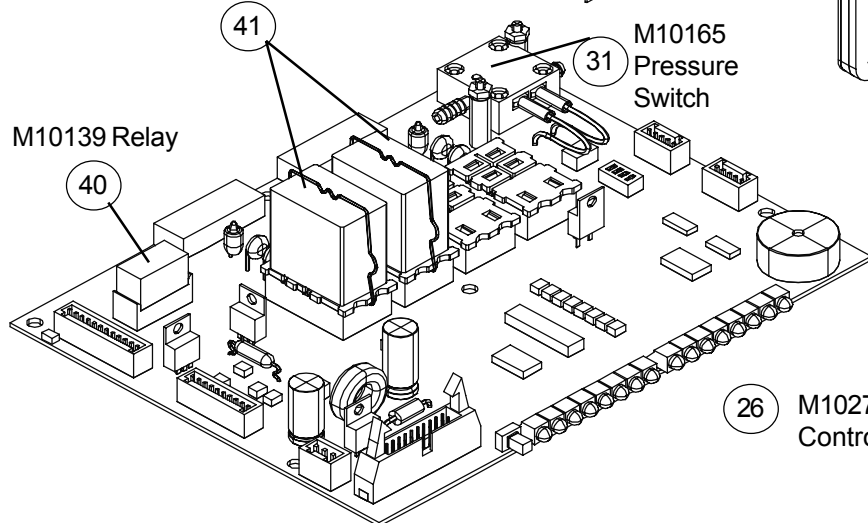


29  
M8976 Dom  
M8977 Dom  
M8979 Exp  
M9617 Exp  
Elements

M9720 Relay



17  
M10137  
M10138  
(internal view)  
Control Assy



M10139 Relay

41

31  
M10165  
Pressure  
Switch

40

26  
M10278  
Control, Interface

### CONVEYOR COMPONENTS

| Ref. No.  | Part No.                                  | Description   |
|---|---|---|
| 2   | M9628                                     | Belt, Wire S/S 32" (Complete)<br>(Total Length 13.5 FT)   |
|   | 21926                                     | Belt, Wire S/S 32" SB (Per Foot)<br>(Total Length 13.5 FT)  |
|   | 23112                                     | Belt, Wire S/S 15.75" TB (Per Foot)<br>(Total Length 13.5 FT)                                       |
| 12  | M4132                                     | Tensioner Assy., Qty 2<br>(only for single belt non-folding belts)                                  |
|   | M2389                                     | Spring, Belt Tensioner, Qty 2<br>(only for folding belts)   |
|   | M6763                                     | Tensioner Sleeve Assy, Qty 2<br>(only for folding belts)  |
|   | M9907                                     | Pin, cotterless hitch (to locate conveyor)<br>Before 12/01/99 or S.N. 120199BQ001S/<br>120199BP001S |
|   | M10109                                    | Pin, spring loaded (to locate conveyor)<br>After 12/01/99 or S.N. 120199BQ001S/<br>120199BP001S     |
|   | 21152                                     | Drive Chain   |
|   | M0112                                     | Masterlink (for Drive Chain)  |
|   | M10155                                    | Chain Guard Replacement Kit, SB<br>(Replaces M9701/M9702)   |
| <p><b>NOTE:</b> TB Ovens use M8890 Access Panel Assy for ChainGuard Replacements.</p> |   |   |
| 32  | <input checked="" type="checkbox"/> M9658 | Motor, Conveyor Drive   |
| 33  | <input checked="" type="checkbox"/> M9659 | Control, Drive Motor  |
|   | M0122                                     | Bushing, Conveyor Drive, Qty 4  |
|   | <input checked="" type="checkbox"/> M0110 | Sprocket, Conveyor Drive, 15 tooth (Qty 1)  |
|   | M1865                                     | Sprocket, Motor Drive, 15 tooth<br>(Qty 1 SB) (Qty 2 TB)  |
|   | <input checked="" type="checkbox"/> M0108 | Sprocket, Conveyor Belt (Qty 14)  |
|   | M9679                                     | Bracket, Motor Mount (Qty 1)  |
|   | M9689                                     | Bracket, Motor Mount (TB)   |
| 5   | M8811                                     | Support Angle, Conveyor (2 per oven)  |
| 3   | M9583                                     | Conveyor Assy, Drive SB   |
| 4   | M9584                                     | Conveyor Assy, Idle SB  |
|   | M7438                                     | Conveyor Shaft, Idle SB   |
|   | M10017                                    | Rack Assy, Conveyor, Drive Side TB  |
|   | M10018                                    | Rack Assy, Conveyor, Idle Side TB   |
| 1   | M8871                                     | Conveyor Assy, Folding SB   |
|   | M10015                                    | Conveyor Assy, Folding, TB  |

### GAS BURNER COMPONENTS

| Ref. No.  | Part No.                                   | Description                          |
|---|--|--------------------------------------|
|   | M9748                                      | Burner Assy., Complete               |
| 34  | <input checked="" type="checkbox"/> M10279 | Ignition Control Board, Programmable |
| 31  | M10165                                     | Pressure Switch Kit                  |
| <p><b>NOTE:</b> The M10165 is mounted on the M10279, Ignition Control and M10048, Interface Board. Do not purchase M10165 if you are purchasing M10279 or M10278.</p> |  |                                      |
|   | M8835                                      | Flame Tube Support Assy, outer       |
| 86  | <input checked="" type="checkbox"/> M9887  | Combustion Blower & Motor Assy       |

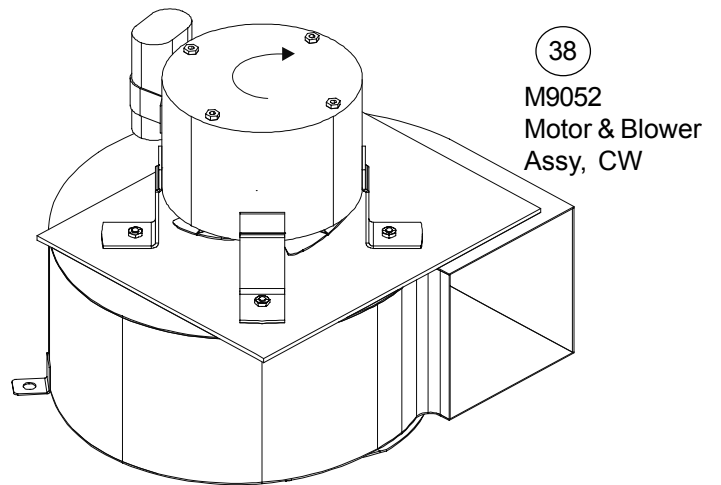
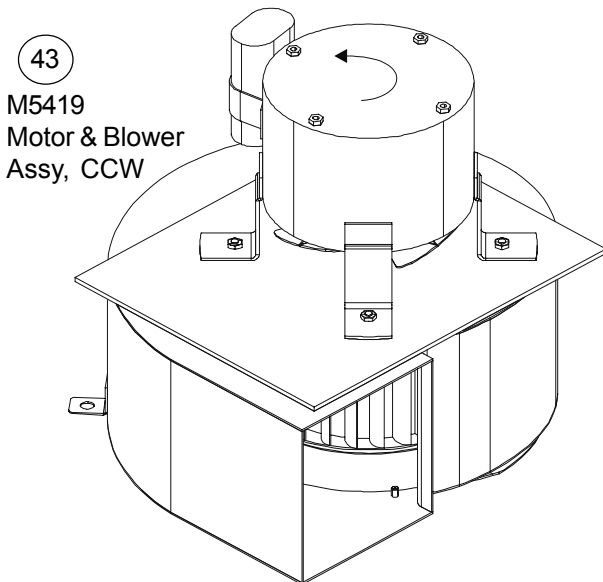
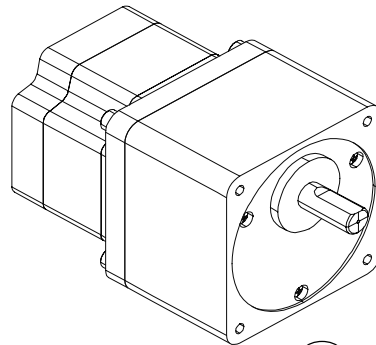
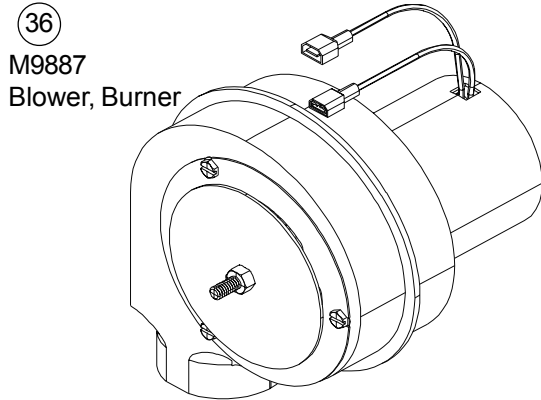
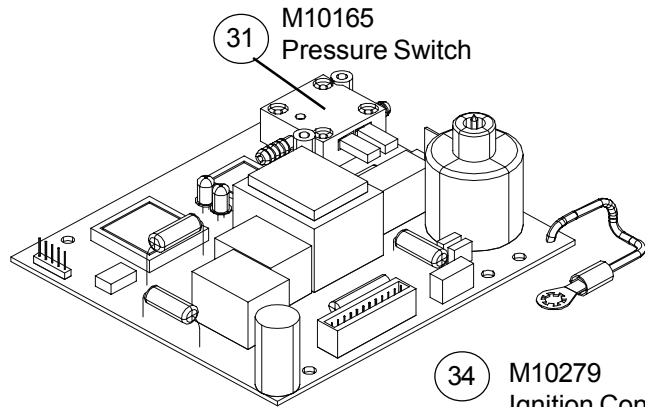
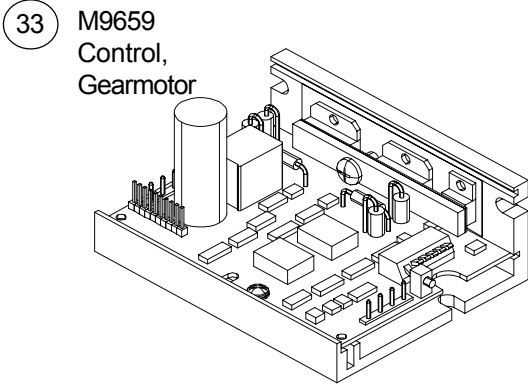
### GAS BURNER COMPONENTS- CONT'D.

| Ref. No.   | Part No.                                   | Description                           |
|--|--|---------------------------------------|
|  | <input checked="" type="checkbox"/> M10182 | Pilot Burner & Ignitor Assy, Nat      |
|  | <input checked="" type="checkbox"/> M10184 | Pilot Burner & Ignitor Assy, LP       |
|  | <input checked="" type="checkbox"/> M0415  | Flame Sensor Probe                    |
|  | <input checked="" type="checkbox"/> M2690  | Orifice, Pilot LP                     |
|  | <input checked="" type="checkbox"/> M0697  | Orifice, Pilot Nat                    |
|  | M4371                                      | Orifice, Main Burner LP               |
|  | M4370                                      | Orifice, Main Burner Nat              |
|  | <input checked="" type="checkbox"/> M8999  | Gas Valve, Nat                        |
|  | See Note                                   | Gas Valve, LP                         |
| <p><b>NOTE:</b> For LP gas order M8999 &amp; M5292</p> |  |                                       |
|  | <input checked="" type="checkbox"/> M5291  | Conversion Kit, LP to Nat             |
|  | <input checked="" type="checkbox"/> M5292  | Conversion Kit, Nat to LP             |
|  | M8919                                      | Flame Tube Assy                       |
|  | M9674                                      | Elbow, 1/2", 45°, black iron          |
|  | <input checked="" type="checkbox"/> M9705  | Pressure Tubing, polyurethane (30")   |
|  | M0248                                      | Pilot Tubing, .79'                    |
|  | 21225                                      | Elbow, 1/4T x 1/8 npt (goes on valve) |
|  | M8924                                      | Plate, Block Off (Gas Pipe Slot)      |

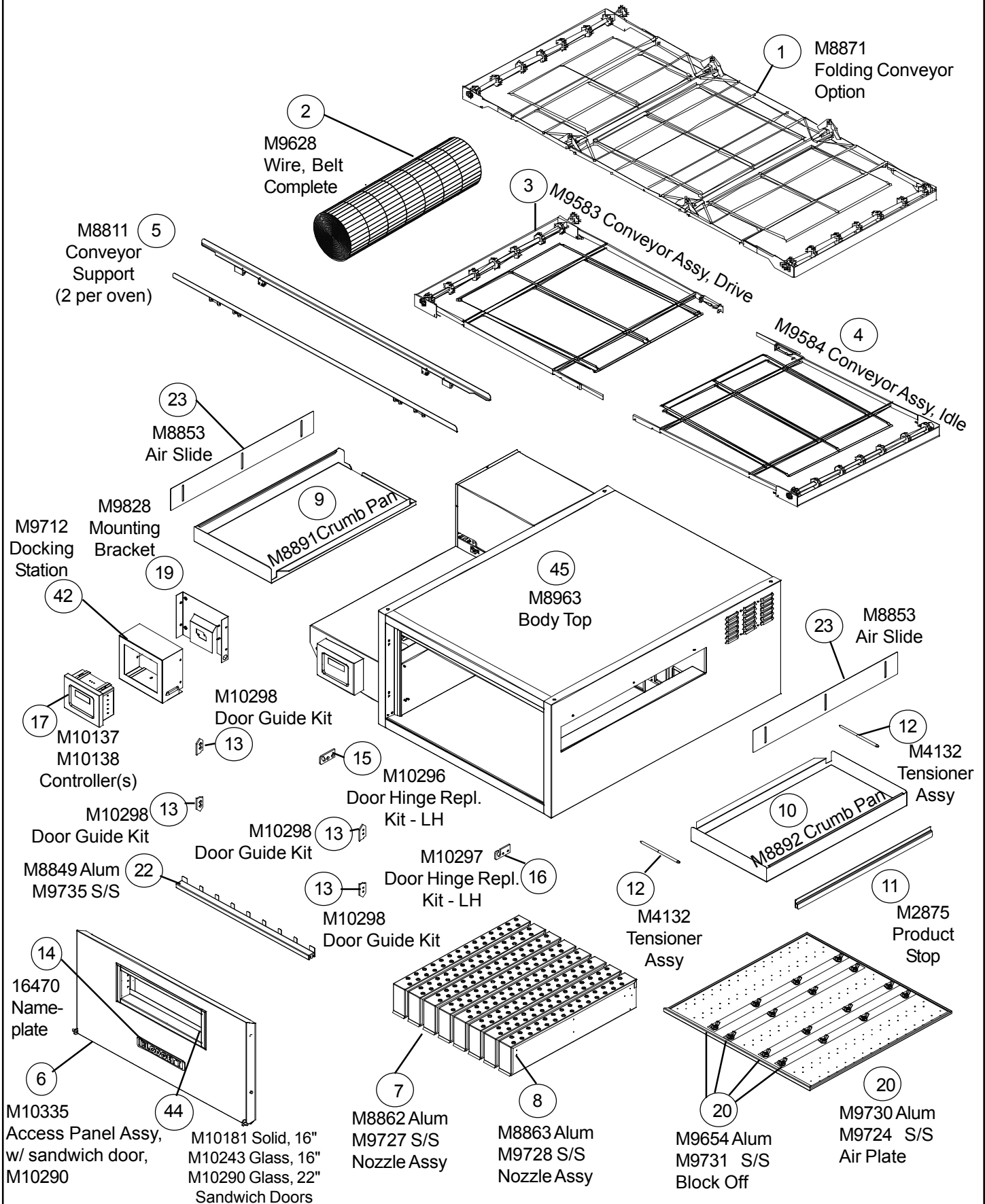
### CONVECTION COMPONENTS

| Ref. No. | Part No.                                  | Description   |
|----------|---|---|
| 43       | <input checked="" type="checkbox"/> M5419 | Motor, Blower CCW                                     |
| 38       | <input checked="" type="checkbox"/> M9052 | Motor, Blower CW                                      |
| 18       | <input checked="" type="checkbox"/> M9829 | Probe, RTD, 2" blower compartment                     |
|          | M10201                                    | Insulation Kit, Blower Housing                        |
| 7        | M8862                                     | Nozzle Assy, Aluminum<br>(1 hole in back) 4 per oven  |
| 8        | M8863                                     | Nozzle Assy, Aluminum<br>(2 holes in back) 4 per oven |
| 7        | M9727                                     | Nozzle Assy, S/S<br>(1 hole in back) 4 per oven       |
| 8        | M9728                                     | Nozzle Assy, S/S<br>(2 holes in back) 4 per oven      |
| 22       | M8849                                     | Support Bar, Nozzles, Aluminum                        |
| 22       | M9735                                     | Support Bar, Nozzles, S/S                             |
| 21       | M9724                                     | Air Plate, Aluminum                                   |
| 21       | M9730                                     | Air Plate, S/S  |
| 20       | M9654                                     | Block Off Strips, Aluminum                            |
| 20       | M9731                                     | Block Off Strips, S/S                                 |

### SG3240 MISC COMPONENTS



# SG3240 EXTERIOR COMPONENTS



**EXTERIOR COMPONENTS**

| Ref. No.   | Part No. | Description  |
|--|----------|--|
| 6  | ◆ M10335 | Front Access Panel Assy w/sandwich door<br>All units   |
| <p><b>NOTE:</b> <i>M10335 comes with bottom gasket, front access panel, glass door 22", and slotted pivot plates L&amp;R. If you are upgrading to a 22" Sandwich door from a 17" Sandwich door you must purchase this whole assy to convert your oven.</i></p> |          |  |
| 15   | M10296   | Door Hinge Repl. Kit LH Replaces M9825   |
| 16   | M10297   | Door Hinge Repl. Kit RH Replaces M9826   |
| 13   | M10298   | Door Guides Repl. Kit<br>Replaces M9823 & M9824<br>Upper left/right, Lower left/right        |
|  | M8910    | Gasket, Bottom (for front access panel door)   |
| 44   | M10181   | Sandwich Door Assy, 17"x 5" Solid, w/handle<br>Ovens before 08/15/00                         |
| 44   | M10243   | Sandwich Door Assy, 17"x 5" Glass, w/handle<br>Ovens before 08/15/00                         |
|  | M10290   | Sandwich Door Assy, Glass, w/handle 22"<br>Ovens after 08/15/00                              |
| <p><b>NOTE:</b> <i>If you currently have a 17" sandwich door (Ovens before 08/15/00) and want to convert to a 22" sandwich door you must order M10335 Front Access Panel Assy to convert.</i></p>  |          |  |
|  | M10128   | Handle Kit, 16 1/2" For M10181 & M10243<br>Ovens before 08/15/00                             |
|  | M4275    | Handle Kit, 22" For M10290<br>Ovens after 08/15/00   |
|  | M8890    | Access Panel Assy, (Elec. Box Door)  |
|  | M9614    | Access Cover, Rear of elec. box (4 holes)<br>(Units before 01/01/2000)                       |
| 19   | M9828    | Bracket, Mounting, remote control  |
| 42   | M9712    | Docking Station, for remote control assys  |
| 11   | M2875    | Product Stop   |
| 14   | 16470    | Nameplate, Blodgett, 10"   |
|  | 16677    | Speed Nut, Qty 3 per oven used w/16470   |
|  | M4222    | Product Extension, 10"   |
|  | M9948    | Product Extension, 15"   |
|  | 21390    | Legs, 17-1/4" w/ Casters (Dbl Oven)<br>(Set of 4)  |
|  | 21391    | Legs, 23-1/4" w/ Casters (Sgl Oven)<br>(Set of 4)  |
|  | M9844    | Chimney Kit, dbl   |
|  | M9845    | Chimney Kit, tpl   |
|  | M9846    | Chimney Kit, sgl   |
|  | M3828    | Pins, Stacking   |
|  | M10200   | Stacking Trim Kit, Complete<br>Contains oven body trim, electrical box trim<br>& heat shield |
|  | M9979    | Heat Shield Kit  |
|  | M9706    | Lexan Decal, for Controller  |
|  | 21826    | Installation Hose, 36"   |
|  | 21242    | Installation Hose, 48"   |

**EXCLUSIVE TO EXPORT**

| Ref. No. | Part No. | Description   |
|----------|----------|---|
|          | M8869    | Body Back, Lower  |
|          | M8870    | Body Back, Upper  |
| 45       | M8963    | Body Top  |
| 9        | M8891    | Crumb Pan, Drive, Sld   |
| 10       | M8892    | Crumb Pan, Idle, Sld  |
|          | M8893    | Crumb Pan, Drive, w/holes   |
|          | M8894    | Crumb Pan, Idle, w/holes  |
| 23       | M8853    | Slide, Air Adjustable   |
|          | M7132    | Thumb Screws, for M8853   |
| 29       | ☑ M8979  | Element Assy., 415/240V 3 Phase, 4 Wire<br>Gen Exp, CE                              |
| 29       | ☑ M9617  | Element Assy., 400/230V 3 Phase, 4 Wire<br>Gen Exp, CE                              |
|          | M10526   | Element, Individual, 415/240V,<br>3 Phase, 4 Wire Gen Exp, CE                       |
|          | M10527   | Element, Individual, 400/230V<br>3 Phase, 4 Wire Gen Exp, CE                        |
|          | ☑ M10184 | Pilot Burner & Ignitor Assy., LP  |
|          | ☑ M10182 | Pilot Burner & Ignitor Assy., Nat   |
|          | ☑ M10191 | Gas Conversion Kit, Nat to LP/But<br>Gen Exp & CE except France & Belgium           |
|          | M10190   | Gas Conversion Kit, LP/But to Nat<br>Gen Exp & CE except France & Belgium           |
|          | ☑ M10462 | Gas Conversion Kit, Nat to LP/But CE<br>France and Belgium only                     |
|          | M10316   | Gas Conversion Kit, LP to Nat Japan Only  |
|          | M10317   | Gas Conversion Kit, Nat to LP Japan Only  |
|          | ☑ M3167  | Fuseholder CE, Gen Exp  |
|          | ☑ M8592  | Fuse, 5 Amp, 5x20mm CE, Gen Exp   |
|          | M4542    | Terminal Block, DIN rail mounted<br>(for 3 phase, 4 wire ovens)<br>(Qty 4 per oven) |
|          | R0164    | Terminal Block, DIN Rail mounted<br>(Qty 2 per oven, gas ovens)                     |
|          | R0166    | Ground Block, DIN Rail mounted<br>(Qty 1 per oven) used w/M4542                     |
|          | R1580    | End Stop, DIN Rail mounted  |
|          | M9477    | DIN Rail  |

**NOTES:**

**BLODGETT OVEN COMPANY, 50 Lakeside Avenue, Burlington, Vermont 05401 USA**

Telephone: (802) 860-3700 (800) 331-5842 Fax: (802) 860-3732

Maytag Foodservice Division