



**SHO-G & SHO-100G
ECONOMY GAS CONVECTION OVEN
REPLACEMENT PARTS LIST**

EFFECTIVE AUGUST 31, 2018

Superseding All Previous Parts Lists.

The Company reserves the right to make substitution in the event that items specified are not available.

ERRORS: Descriptive and/or typographic errors are subject to correction.

BLODGETT OVEN COMPANY

42 Allen Martin Drive, Essex Junction, Vermont 05452 USA Telephone: (802) 658-6600 Fax: (802) 860-3732
www.blodgett.com

P/N 54128 Rev N

SERIAL NUMBER LOCATION / KEY:

IMPORTANT: When ordering parts, please provide the model, gas type and serial number of the oven. The identification plate is located above the right hand door.

SERIAL NUMBER IDENTIFICATION CODE:

XD = SHO-G MFR. BEFORE 11-05-05

XG = SHO-G MFR. AFTER 11-05-05

CR = SHO-100-G

SERIAL NUMBER EXAMPLES

062006XG001 (NEW STYLE)

06/20/06 = DATE

XG= LETTER CODE FOR SHO-G

001 = FACTORY SEQUENCE

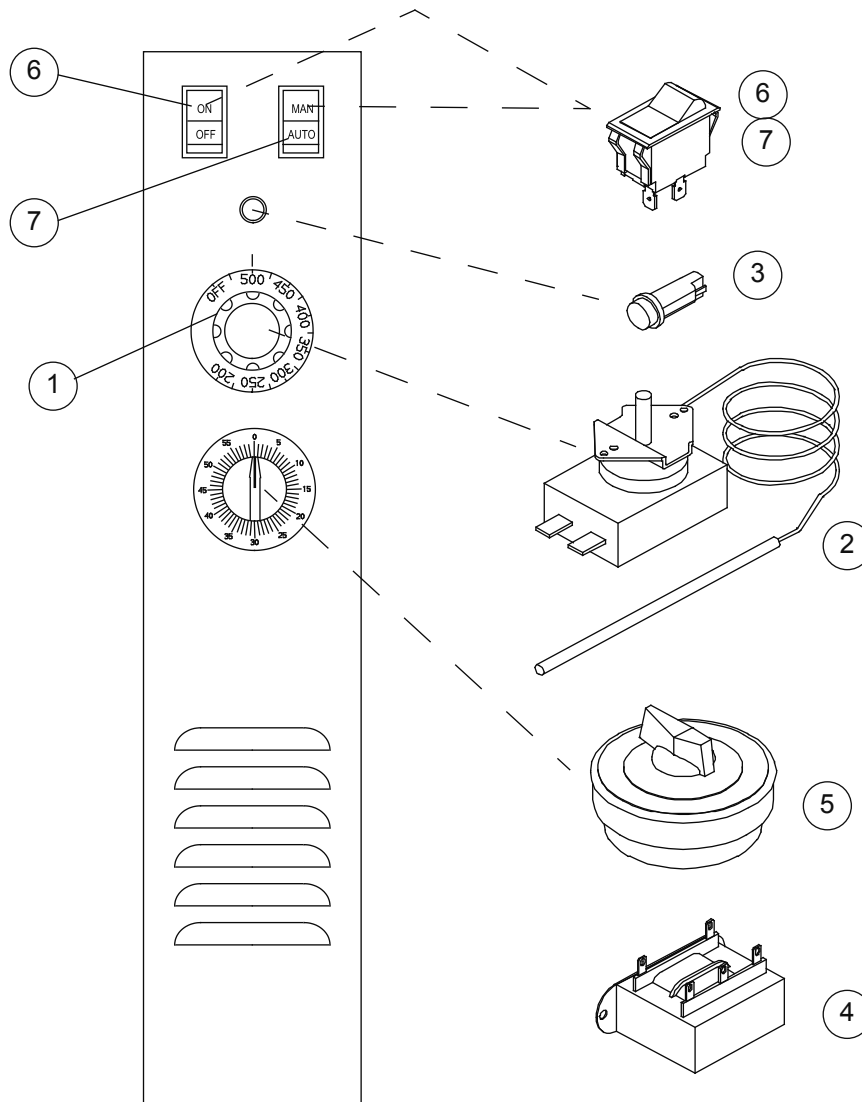
**PLEASE NOTE THAT THE SERIAL NUMBERS
ON THE SHO ARE ONLY 12 DIGITS LONG!!!**

TABLE OF CONTENTS

◆ Doors Are Not Returnable

TABLE OF CONTENTS.....	3
ELECTRICAL COMPONENTS UNITS MADE BEFORE 11-05-05.....	4
ELECTRICAL COMPONENTS UNITS MADE 11-05-05 AND AFTER	5
SSI-D CONTROL- EXCLUSIVE TO TEXAS ROADHOUSE.....	6
INTERIOR COMPONENTS & EXTERIOR VIEW OVENS MANUFACTURED BEFORE 11-05-05.....	8
BURNER & PIPING COMPONENTS UNITS MADE BEFORE 11-05-05.....	9
GAS STACK ASSEMBLY UNITS MADE AFTER 11-05-05.....	10
GAS STACK ASSY UNITS MADE BEFORE 11-05-05	11
DOOR COMPONENTS.....	12
LOWER DOOR SUPPORT COMPONENTS	13
ACCESSORIES.....	14

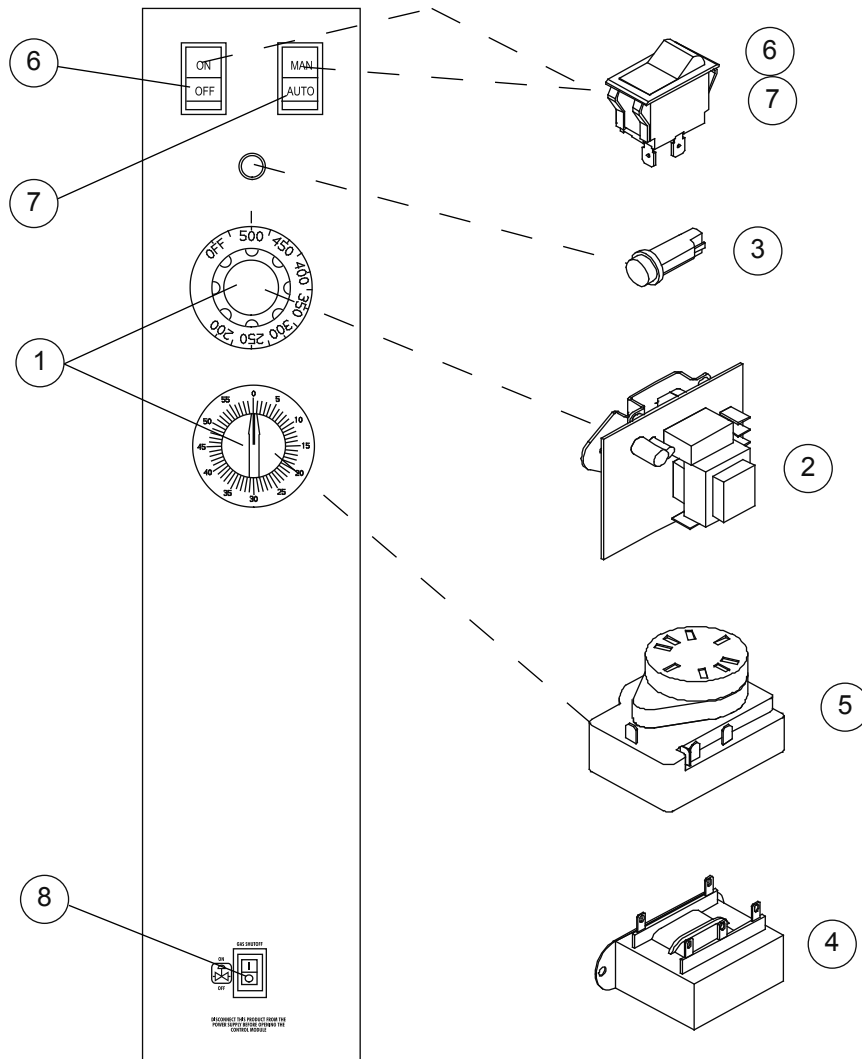
ELECTRICAL COMPONENTS UNITS MADE BEFORE 11-05-05



Ref. No.	Part No.	Description
1	16393	Dial Fahrenheit
2	16536	Thermostat, KX-234-36
	33939	Bulb Clip, Thermostat
3	18265	Indicator Light, 28V Red Round
	54725	Spark Box 24V
4	20355	Transformer, 115/24V
	30503	Terminal Block
	35193	Microswitch, Door
	36785	Harness, Control Oven for units before Sept 2004
	36987	Motor Conduit Assy
	5091	Cord Set Assy
5	5147	Timer 60 Minute Mechanical w/Bell for units built before to Sept 2004.
	55648	Ignition wire

Ref. No.	Part No.	Description
	19677	Flame sensor wire
	34483	Knob, for timer 5147
	18225	Timer 60 Minute, Electrical 120V for units built after Sept 2004.
	16686	Knob, for timer 18225
6	6500	Rocker Switch, DPST, Blue, 1SP
7	6502	Rocker Switch, DPDT, Red, Cool dn
	6503	Rocker Switch, DPDT, Black, 2SP
	20349	Buzzer Assy 120V
	36755	Switch, Thermal SPDT
	22301	Axial Fan, 115V 4"
	22718	Guard Assy, Axial Fan
	22719	Cord Set and Nuts, Axial Fan
	37292	Harness, Axial Fan

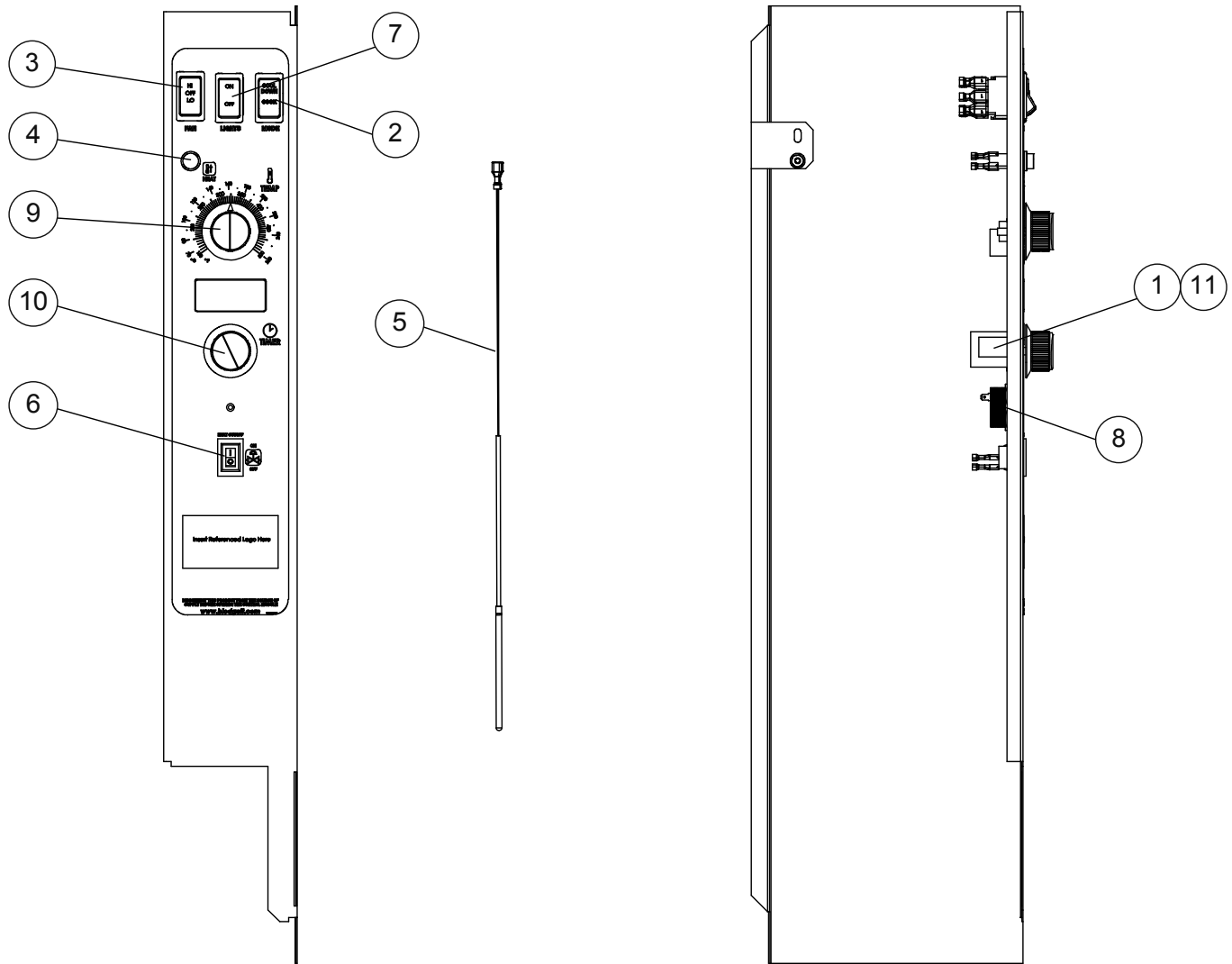
ELECTRICAL COMPONENTS UNITS MADE 11-05-05 AND AFTER



Ref. No.	Part No.	Description
1	16686	Knob, for Temp control
2	33152	Temperature Controller w/Potentiometer
	38987	Thermostat Display
	18588	Temperature Probe
3	18265	Indicator Light, 28V Red Round
	20348	Spark Box Assy Nat & LP
4	20355	Transformer, 115/24V
	20356	Transformer 230/24V
	39108	Terminal Block, 7 position
	35702	Microswitch, Door
	39235	Harness, Wiring, Line Voltage Front
	39234	Harness, Wiring 24V Front
	5091	Cord Set Assy
5	18225	Timer 60 Minute, Electrical 120V
	18226	Timer, 60 Minute, Electrical 240V

Ref. No.	Part No.	Description
	16820	Timer Display
	16686	Knob, For timer 18225
6	7636	Rocker Switch, 3PDT, Black, 2SP
7	6502	Rocker Switch, DPDT, Red, Cool dn
	20349	Buzzer Assy, 120V
	20350	Buzzer Assy, 240V
	36755	Switch, Thermal SPDT
	22301	Axial Fan, 115V, 4"
	23034	Axial Fan, 230V, 4"
	22718	Guard Assy, Axial Fan
	22719	Cord Set and Nuts, Axial Fan
	23077	Capacitor, Electrolytic
	37058	Relay, DPST 25A 24V
8	36376	Switch, Gas On/Off
	30662	Light Switch

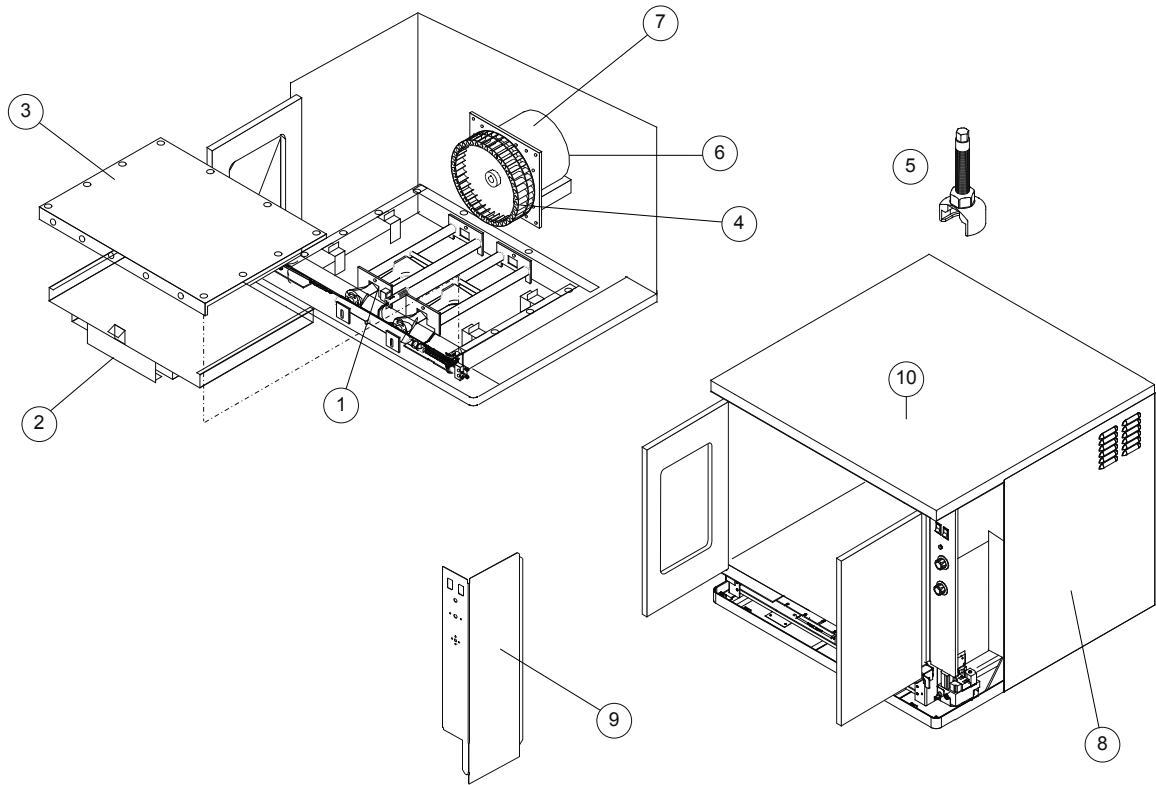
SSI-D CONTROL- EXCLUSIVE TO TEXAS ROADHOUSE



Ref. No.	Part No.	Description
1	58337	Infinite w/Digital Timer Control
2	6502	Switch, Rocker DPDT Red
3	7636	Switch, Rocker 3PDT
4	18265	Indicator Light, 28V Red
5	57562	Probe, 1K OHM RTD
6	36376	Gas ON/OFF Switch

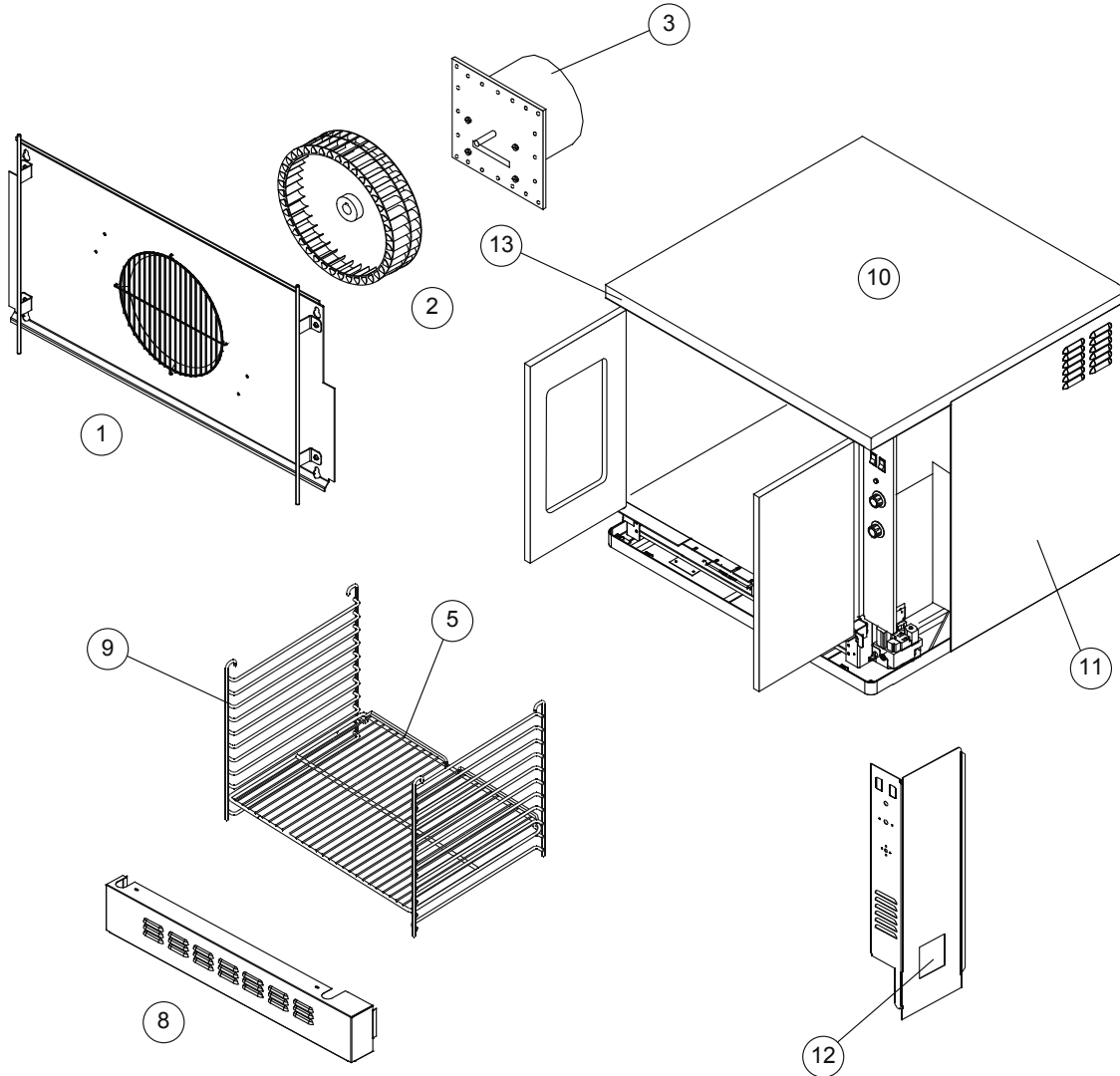
Ref. No.	Part No.	Description
7	16530	Switch, Rocker DPST Momentary
8	52668	Beeper
9	36616	Knob w/Arrow
10	36617	Knob w/o Arrow
11	54340	Spacer, Encoder Shaft
	100256	Panel & Decal

INTERIOR COMPONENTS & EXTERIOR VIEW OVENS MANUFACTURED 11-05-05 AND AFTER



Ref. No.	Part No.	Description	Ref. No.	Part No.	Description
1	18799	Burners, Steel Tube Set of 2		19081	Rack Supports, set of 2
	8717	Burner Orifice (set of 2) specify model and gas type		19171	Stops, Rack, set of 2
2	17861	Deflector Assy		38679	Shield, Probe
3	17752	Compartment Liner Bottom, Porc.		5395	Baffle Support Ass'y
4	15853	Blower Wheel, 10-3/4" Dia.		34560	Body Back Assembly
5	33147	Wheel Puller, used to remove blower wheel		37205	Bodyside, LH
6	90027	Motor Mount & Panel Assy.	8	36407	Bodyside, RH
7	32291	Motor, 115V, 1PH, 1/2 HP, 2 SP		17858	Combustion Cover Ass'y
	32291	Motor, 115/230V, 1 SP	9	57009	Panel, Control w/Decals (w/o Lights)
	51673	Baffle Ass'y, w/o Lights		55239	Panel, Control w/Lights
	20758	Baffle Assy, w/Lights		4342	Lamp, 50 Watt, 125V
	18768	Rack, Wire (20-7/8" x28-1/4")		15637	Lamp, 40 Watt, 220-250V
			10	38991	Body Top

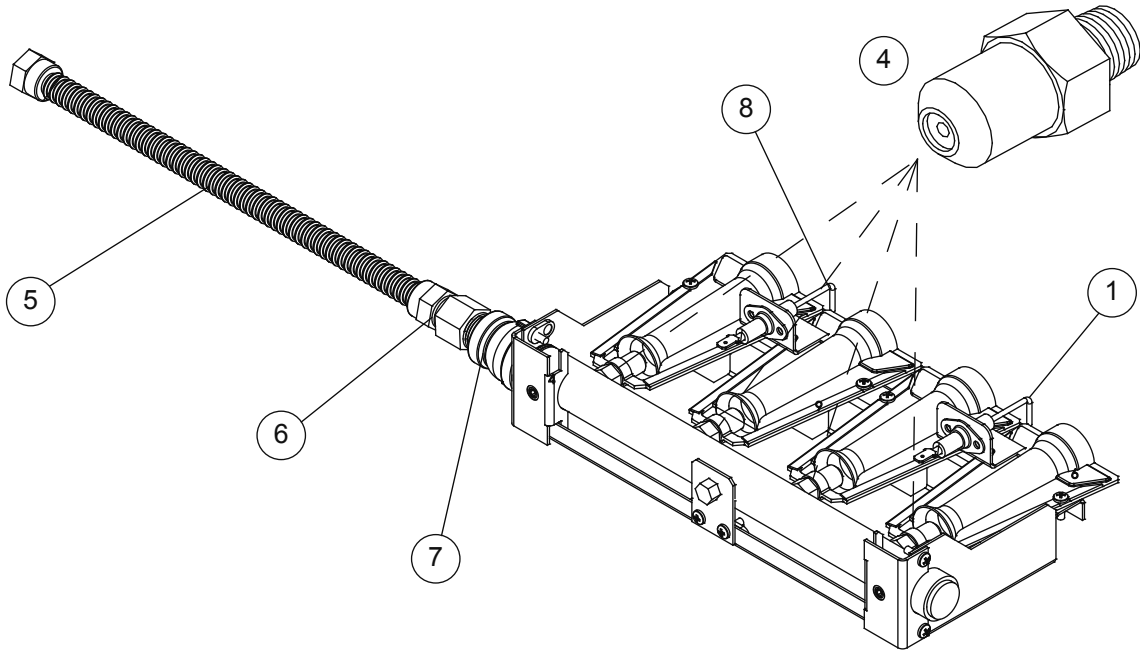
INTERIOR COMPONENTS & EXTERIOR VIEW OVENS MANUFACTURED BEFORE 11-05-05



<u>Ref. No.</u>	<u>Part No.</u>	<u>Description</u>
1	37006	Interior Baffle, Porc Blower Wheel Cover NAT
	36437	Interior Baffle, Porc Blower Wheel Cover LP
2	15853	Blower Wheel 1SP units
	33171	Blower Wheel 2 SP units
	33147	Wheel Puller
3	36828	Motor, 1/2 hp 1 SP units
	37022	Motor, 3/4 hp 2 SP units
5	18768	Racks, Qty 5 per oven
6	36900	Rack Support Kit, Set of 2
8	36822	Cover, Combustion Compartment
	33939	Thermostat Bulb Clip
10	36797	Body Top, Before 11/3/2005

<u>Ref. No.</u>	<u>Part No.</u>	<u>Description</u>
10*	38991	Body Top, After 11/3/2005
11	36821	Bodyside, RH, Before 11/3/2005
	36839	Bodyside, LH, Before 11/3/2005
11	37205	Bodyside, LH, After 11/3/2005
	36407	Bodyside, RH, After 11/3/2005
12	20757	Gas Valve Cover
	NOTE:	Compartment Liner Bottom is NOT REPLACEABLE in this unit.
13*	59657	Front Trim Kit, Bodytop
	NOTE:*	For ovens built between 11/3/2005 & 03/10/2017 items 10 & 13 must be purchased together.

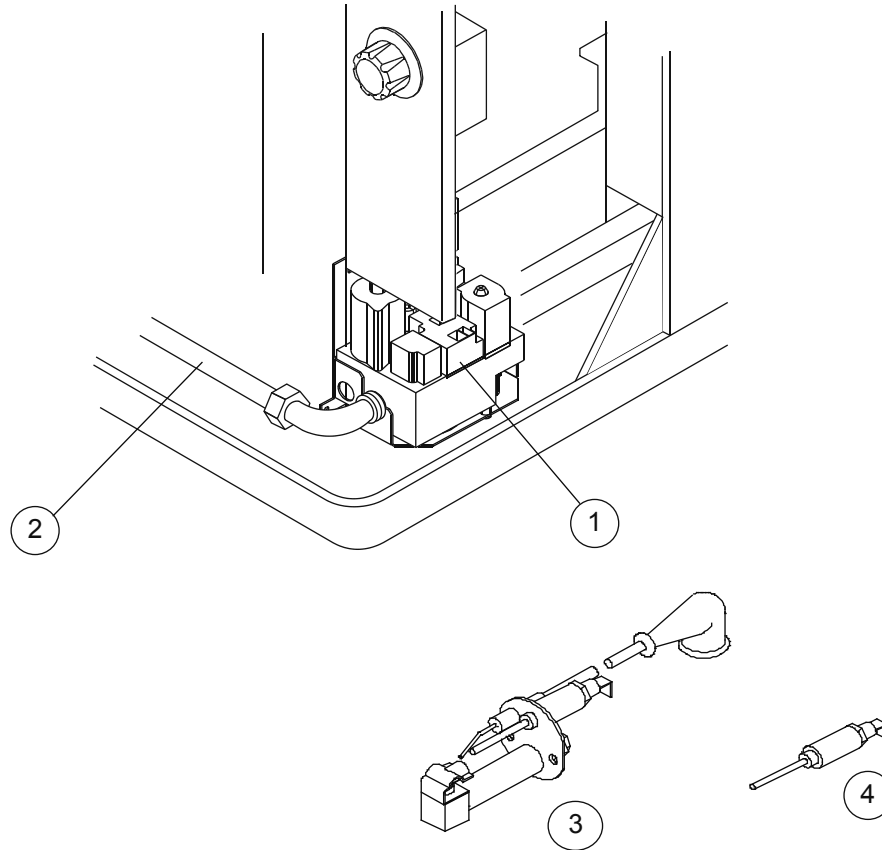
BURNER & PIPING COMPONENTS UNITS MADE BEFORE 11-05-05



<u>Ref. No.</u>	<u>Part No.</u>	<u>Description</u>
	38452	Ignitor/Flame Sensor Upgrade Kit (for old 2 burner)
	19677	Flame Sensor Wire
1	39987	Flame Sensor (for 4 burner)
8	38521	Ignitor Rod (for 4 burner)
2	39110	Burner Upgrade Kit, In Shot, NAT
2	39111	Burner Upgrade Kit, In Shot, LP

<u>Ref. No.</u>	<u>Part No.</u>	<u>Description</u>
4	36415	Orifice, NAT Qty 4 per oven (specify size)
4	36415	Orifice, LP Qty 4 per oven (specify size)
5	33249	Gas Flex Hose, 1/2"
6	1949	Nipple, Pipe 1/2 NPT
7	16118	Manifold Assy
NOTE:		Burner Manifold no longer available.

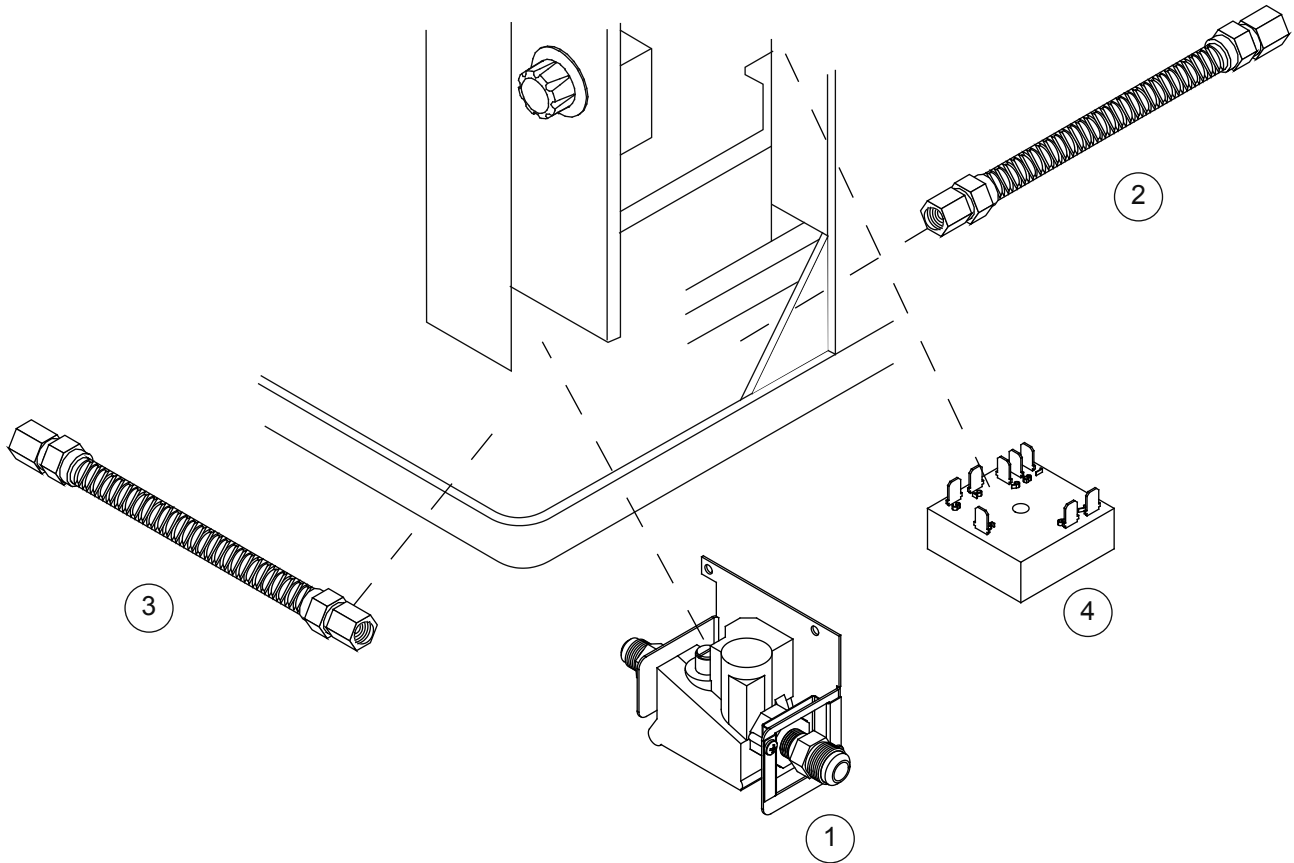
GAS STACK ASSEMBLY UNITS MADE AFTER 11-05-05



Ref. No.	Part No.	Description
1	30005	Dual Solenoid Valve/Pressure Regulator, 24V Nat.
1	30006	Dual Solenoid Valve/Pressure Regulator, 24V LP
	18242	Thru Pipe
	37704	Tube/Bracket Assy
2	33249	Flex Tubing, for Manifold
	18586	Pilot Tubing, Preformed
	10252	Union, 1/2"

Ref. No.	Part No.	Description
	15871	Manifold Ass'y
	18257	Orifice, Pilot LP .011
	18263	Orifice, Pilot Nat .021
3	56463	Pilot Ass'y Nat
3	56464	Pilot Ass'y LP
4	18256	Flame Sensor Probe
	20357	Shield, Ignitor S/S
	54014	Conversion Kit, LP to Nat.
	54015	Conversion Kit, Nat. to LP

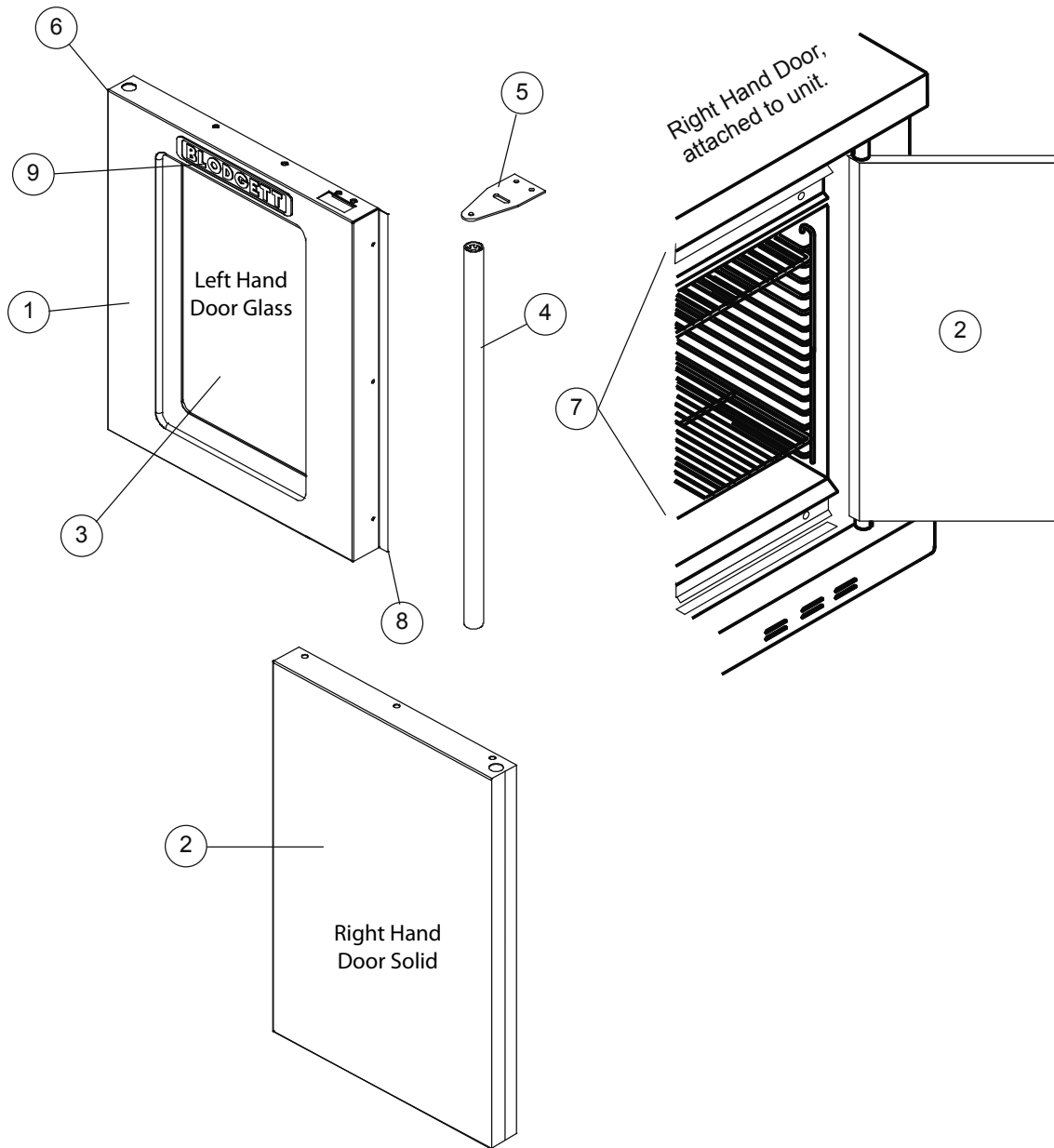
GAS STACK ASSY UNITS MADE BEFORE 11-05-05



<u>Ref. No.</u>	<u>Part No.</u>	<u>Description</u>
1	37971	Gas Valve Assy NAT
1	37972	Gas Valve Assy LP
2	36229	Flex Tubing with fittings, acts as thru pipe
3	33249	Flex Hose, connects to gas valve
	37704	Tube/Bracket Assy
4	37987	Timer, Delay (Before 11/09/04)
	37961	Harness, Timer w/ terminal block (terminal block cannot be purchased seperately)

<u>Ref. No.</u>	<u>Part No.</u>	<u>Description</u>
4	38392	Timer, Delay (After 11/09/04)
	38428	Din rail (For mounting 38392 timer)
	M9422	Pressure Switch
	M9705	Pressure Tube (by the inch)
	37058	Relay, DPST 25A 24V

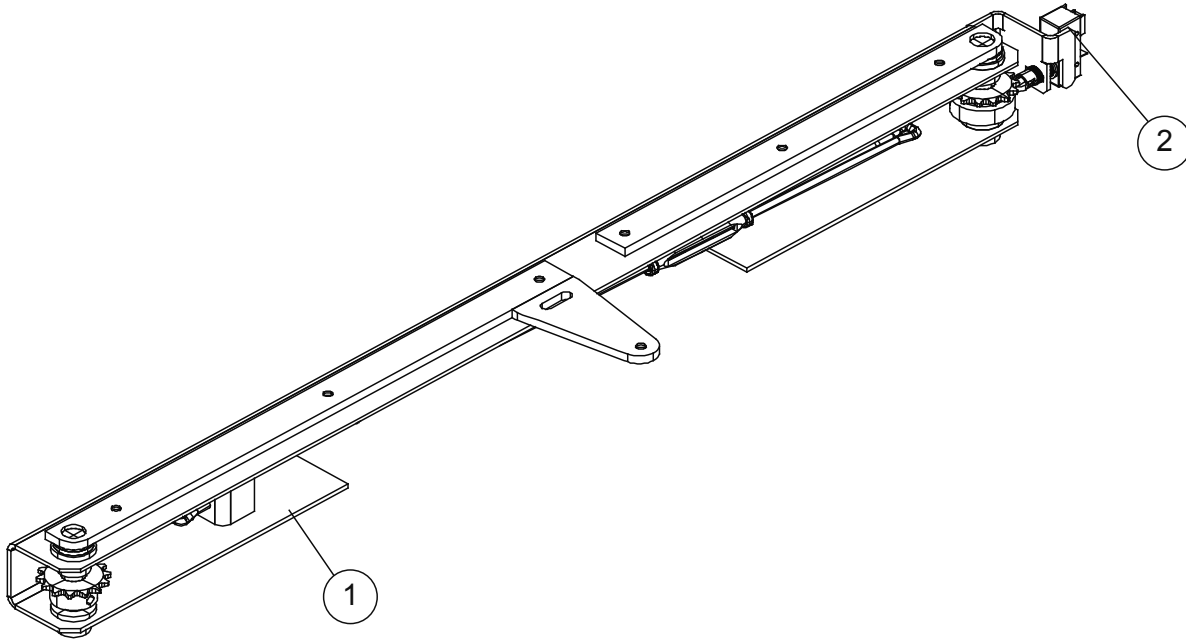
DOOR COMPONENTS



Ref. No.	Part No.	Description
1	20804	Door Assy, GlS LH
	20803	Door Assy, GlS RH
2	20805	Door Assy, Slid RH
	20806	Door Assy, Slid LH
3	9036	Window Assy, Drop In (10 1/8" X 17 1/8")
	9035	Window Tool, for installation and removal of window assy
4	21097	Door Handle, w/hardware
5	36793	Top Plate, for door handle mounting
6	90004	Bushings, Door Hinge Set of 2
	16657	Sleeve, Upper Door

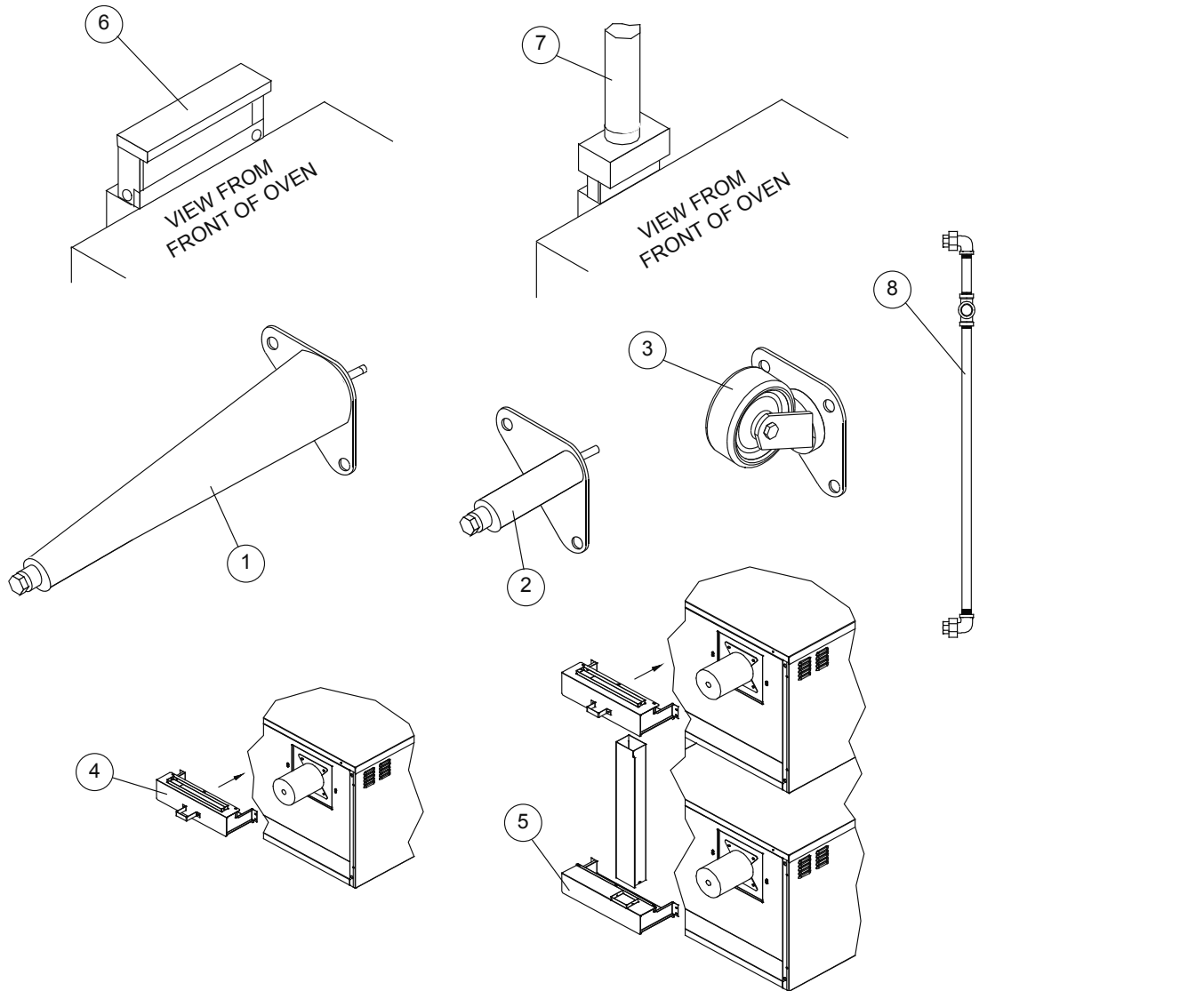
Ref. No.	Part No.	Description
	17557	Hinge Pin Kit, Upper Door Qty 2 per oven
7	36876	Door Gasket Kit
8	16448	Pressure Lock (for latching) (attaches to front of door)
8	36606	Pressure Lock (attaches to side of door)
	17311	Center Door Trim (cover gap between closed doors)
9	16470	Nameplate
	35193	Microswitch

LOWER DOOR SUPPORT COMPONENTS



Ref. No.	Part No.	Description
1	37003	Lower Door Support Assy
	NOTE:	Lower Door Support Assy includes the hinge pins, arms, chain & turnbuckles, sprocket assy, and cam assy.
2	35193	Microswitch

ACCESSORIES



Ref. No.	Part No.	Description	Ref. No.	Part No.	Description
	33196	Seismic Legs, 6" Set of 4		37669	Flue Assy, for dbl oven (For SHO oven made before 11-05-05 on a DFG100, MKV or SHO G made 11-05-05 or after)
1	8598	Legs, 25" w/feet Set of 4		36871	Flue Assy, for dbl oven (DFG 1XL on SHO made before 11-05-05)
2	8600	Legs, 6" Set of 4		37221	Flue Assy, for dbl oven(DFG 1XL on SHO made 11-05-05 or after)
	6486	Open Stand w/Feet	6	7840	Draft Diverter, Canopy vent (11-5-05 and after)
	11416	Open Stand w/Casters	6	20447	Draft Diverter, Canopy vent (Before 11-05-05)
	16002	Casters, for sgl oven	7	7839	Drafhood, Direct vent (11-05-05 and after)
3	5779	Casters, Plate, for dbl oven	7	8709	Drafhood, Direct vent (Before 11-05-05)
	19528	Casters, Low Profile, for dbl oven	8	35048	Backpipe, Dbl
4	20443	Flue Box, for sgl oven (11-05-05 and after)			
	36870	Flue Box, for sgl oven (Before 11-05-05)			
	17486	Flue Assy, for dbl oven (11-05-05 and after)			
	36871	Flue Assy, for dbl oven (Before 11-05-05)			
	36696	Backsheet			