



ZEPHAIRE 240E PLUS & ZEPHAIRE-100-E ELECTRICAL CONVECTION OVENS REPLACEMENT PARTS LIST



EFFECTIVE NOVEMBER 9, 2017

Superseding All Previous Parts Lists.

The Company reserves the right to make substitution in the event that items specified are not available.

ERRORS: Descriptive and/or typographic errors are subject to correction.

BLODGETT OVEN COMPANY

42 Allen Martin Drive, Essex Junction, Vermont 05452 USA Telephone: (802) 658-6600 Fax: (802) 860-3732
www.blodgett.com

P/N 53054 Rev L

SERIAL NUMBER LOCATION / KEY:

IMPORTANT: When ordering parts, please provide the model, gas type and serial number of the oven. The identification plate is located on the left side of the combustion compartment and also above the control panel under the ledge.

- ☑ ASAP Distributor Required Stocking Parts
- ◆ Doors Are Not Returnable
- * Item Is Too Large For UPS

SERIAL NUMBER IDENTIFICATION CODE:

ZE = ZEPHAIRE 240E PLUS

CM = ZEPHAIRE-100-E

SERIAL NUMBER EXAMPLES

092009ZE001T

09/20/09 = DATE

ZE = LETTER CODE FOR ZEPHAIRE 240E PLUS

001 = FACTORY SEQUENCE

T = TOP OVEN

TO OBTAIN LITERATURE:

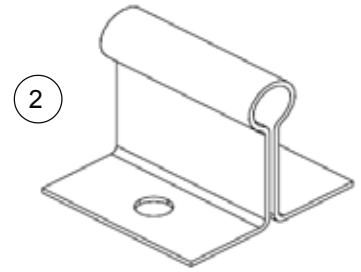
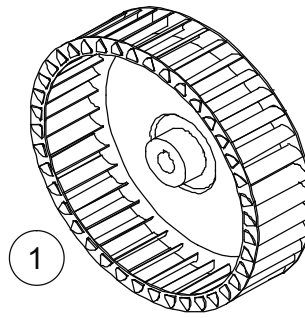
Email: literature@blodgett.com

or visit

www.blodgett.com

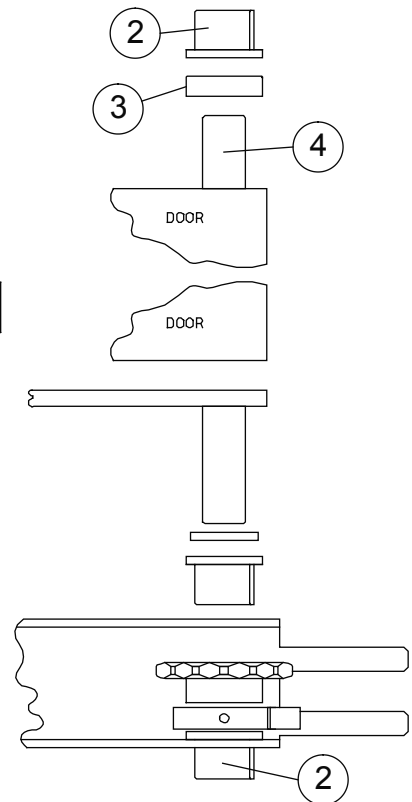
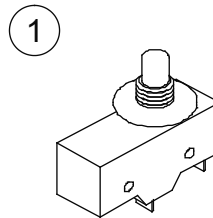
INTERIOR COMPONENTS

| Ref. No. | Part No. | Description |
|-----------------|-----------------|----------------------------------|
| 1 | 5001 | Blower Wheel Assy. |
| | 16813 | Liner Baffle, Porcelain |
| | 33939 | Clip, Thermostat Bulb |
| | 18768 | Rack, Oven (20-7/8" x 28-3/16") |
| | 19081 | Rack Support (Set of 2) |
| | 90046 | Support Assy., Baffle (Set of 4) |
| | 19667 | Motor Mount & Panel Assy. |
| 2 | 33088 | Clip, Thermostat Bulb RTD |

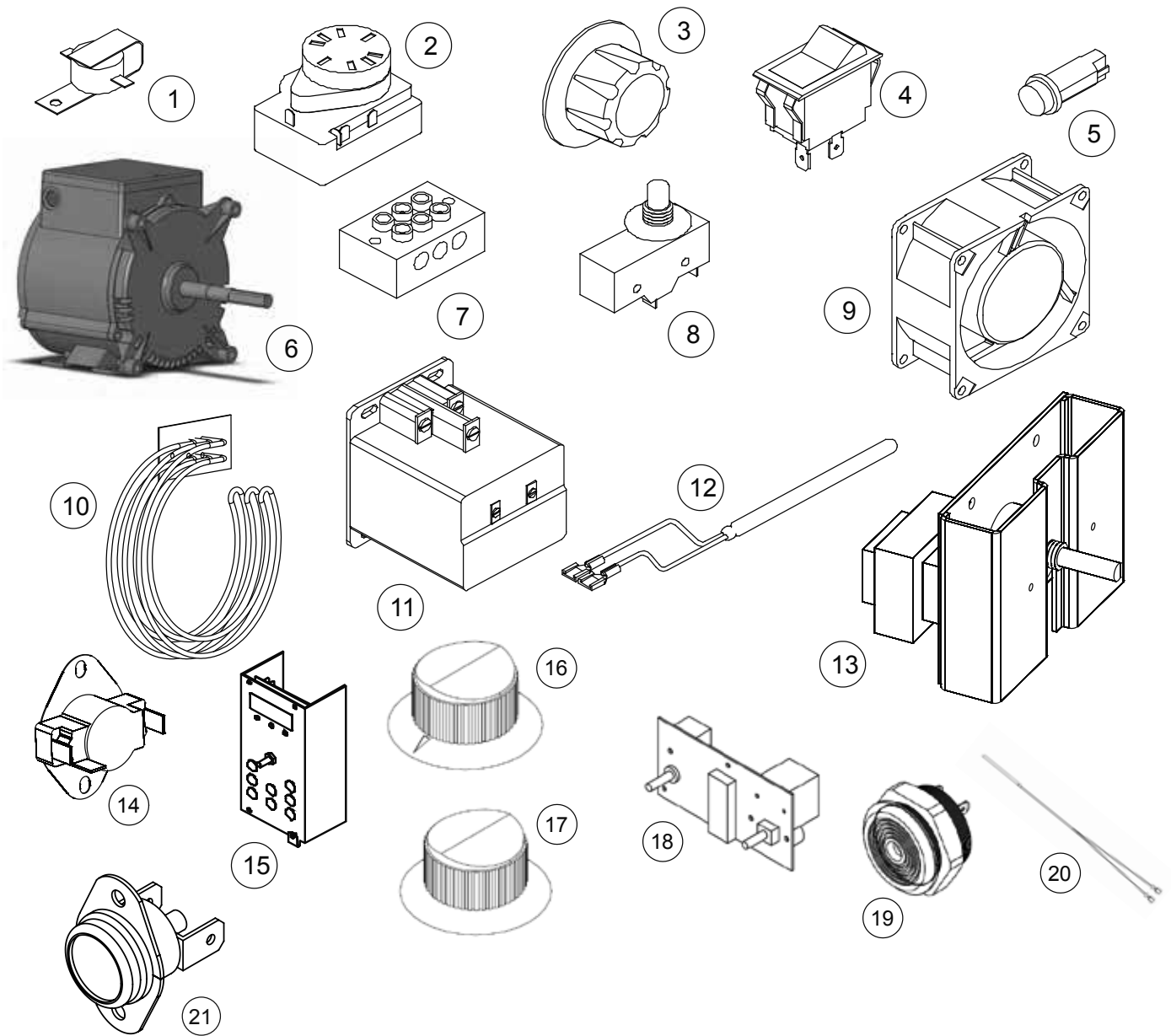


DOOR COMPONENTS

| Ref. No. | Part No. | Description |
|-----------------|-----------------|-------------------------------------------|
| ◆ | 20806 | Door Assy., Solid LH |
| ◆ | 20805 | Door Assy., Solid RH |
| ◆ | 20804 | Door Assy., Glass LH |
| ◆ | 20803 | Door Assy., Glass RH |
| 1 | 35702 | Microswitch |
| | 35419 | Bracket, Microswitch |
| 2 | 90004 | Bushings, Door Hinge (Set of 2) |
| 3 | 16657 | Sleeve, Upper Door Bushing |
| 4 | 17557 | Hinge Pin, Upper Door |
| | 9036 | Window Assy., Drop In (10-1/8" x 17-1/8") |
| | 17558 | Handle, Porcelain Door |
| | 18081 | Top Plate, Door Handle |
| | 17311 | Trim, Center Door |
| | 36606 | Pressure Lock |
| | 36876 | Door Gasket, Perimeter After (12/01/2005) |
| | 36037 | Support Assy., Lower Door |
| | 4887 | Chain & Turnbuckles, Door Operating |



ELECTRICAL COMPONENTS



ELECTRICAL COMPONENTS

| Ref. No. | Part No. | Description | Ref. No. | Part No. | Description | |
|-----------------|-----------------|------------------------------------------------------------|-----------------|-----------------|-----------------------------------------------------|------------------------------------------------|
| 1 | 20350 | Buzzer, 240V | | 21414 | Bracket, Terminal Block | |
| 2 | 18226 | Timer, 60 Minute, 240V, 60 HZ | | 17754 | Transformer, 480V to 240V | |
| 3 | 16686 | Knob, Timer | | 32874 | Box, Element Terminal Kit | |
| 3 | 16686 | Knob, Thermostat | | 17250 | Cover, Transformer Top | |
| 4 | 6502 | Cool Down Switch, Rocker DPDT Red | | 21415 | Mount, Transformer & Base Assy. | |
| 4 | 7636 | Blower Switch, Rocker 3PDT Black 2 SP | | 36429 | Circuit Breaker | |
| 4 | 16530 | Light Switch, Rocker SPST White | | 36700 | Transformer, 115/230-24V (8 terminals) | |
| 5 | 16037 | Indicator Light, 250V, Red, Round | 15 | 30658 | SSD Time/Temp Controller, before 3/1/16 | |
| 6 | 32244 | Motor, 208/240V, 1 PH, 1/3 HP, 2 SP | | 58718 | SSD Time/Temp Controller, after 3/1/16 | |
| 7 | 17556 | Terminal Block Assy. | | 57058 | Halogen Lamp assy. (includes lens & bulb) | |
| 8 | 35702 | Microswitch Kit | | D0128 | Halogen bulb, 12V, 20W, type G4 .16" between pins | |
| | 35419 | Bracket Assy., Microswitch | | 57075 | Halogen bulb, 12V, 20W, type G5.3 .21" between pins | |
| 9 | 23034 | Axial Fan, 230V | | | | |
| 10 | 33245 | Element Assy., 208V | | 16 | 36616 | Knob, Thermostat (SSI-D) |
| 10 | 33244 | Element Assy., 240V | | 17 | 36617 | Knob, Timer (SSI-D) |
| 10 | 20319 | Element Assy., 480V | | 18 | 57561 | Control, Infinite w/Digital Timer, RTD (SSI-D) |
| 11 | 90588 | Contactora, 50 AMP | | 19 | 52668 | Beeper (SSI-D) |
| 12 | 18588 | Probe, Temperature, 1/4" Diameter, 100K ohm | | 20 | 57562 | RTD Probe, Temperature (1K RTD) |
| 13 | 33152 | Temperature Controller w/ Potentiometer, before 12/02/2015 | | | | |
| | 57372 | Temperature Controller w/Pot RTD , after 12/22/2015 | | | | |
| 14 | 36755 | Switch, Thermal Fan (axial fan only) | | | | |
| 21 | 56760 | Manual Reset Compartment Switch | | | | |
| | 21419 | Bracket, Contactor | | | | |

EXTERIOR COMPONENTS

| <u>Ref. No.</u> | <u>Part No.</u> | <u>Description</u> |
|-----------------|-----------------|---------------------------------------------------------------------|
| | 37202 | Trim Assy., Bottom S/S (w/o security package) |
| | 20443 | Flue Box, Single Oven |
| | 17486 | Flue Assy., Stacking (3 Piece) |
| | 31024 | Control Panel & Decal, Manual Control, before 12/02/2015 |
| | 58738 | Control Panel & Decal, Manual Control with lights, after 12/02/2015 |
| | 58684 | Panel & Decal (SSI-D) |
| | 58726 | Panel & Decal (SSD), after 3/1/16 |
| | 36407 | Bodyside, RH S/S (11-21-05 and after) |
| | 37205 | Bodyside, LH S/S (11-21-05 and after) |
| | 38991* | Bodytop S/S |
| | 8600 | Legs, 6" w/ Bolts, S/S (Set of 4) |
| | 8598 | Legs, 25" w/ Bolts, S/S (Set of 4) |
| | 7847 | Leg Bolts (Set of 4) |
| | 92000 | Leg Studs (Set of 4) |
| | 6486 | Open Stand w/ Feet, S/S |
| | 11416 | Open Stand w/ Casters, S/S |
| | 16002 | Caster Kit, Sgl Oven (Set of 4) |
| | 5779 | Caster Kit, Dbl Oven (Set of 4) |
| | 19528 | Caster Kit, Low Profile (Set of 4)) |
| | 31803 | Clips, Dbl Stacking (Set of 2) |
| | 54422 | Side Heat Shield, Right or Left |
| | 59657 | Front Trim Kit, Bodytop |

NOTE* *For oven pre-dating 03/10/2017 parts 38991 & 59657 must be replaced/purchased together*

EXCLUSIVE TO SPRITZER

| <u>Ref. No.</u> | <u>Part No.</u> | <u>Description</u> |
|-----------------|-----------------|----------------------------------------------|
| | 18267 | Indicator Light, Blue 250V, before 12/1/2012 |
| | 18580 | Push Button Switch & Contacts |
| | 18308 | Thru Pipe & Nozzle |
| | 18314 | Thermal Switch, SPNO |
| | 30277 | Right Angle Valve, 220V, before 12/1/2012 |
| | 30283 | Water Filter, before 12/1/2012 |
| | 19014 | Indicator Light, Amber, 28V, after 12/1/2012 |
| | R10838 | Valve Solenoid Coil, 24V, after 12/1/2012 |
| | 55276 | Valve, after 12/1/2012 |
| | 36854 | Spritzer Timer, after 12/1/2012 |
| | 20356 | Transformer, spritzer |
| | 37058 | Motor Delay Relay |

ROLL-IN UNIT AND PARTS

| <u>Ref. No.</u> | <u>Part No.</u> | <u>Description</u> |
|-----------------|-----------------|---------------------------------------|
| | 20517 | Docking Plate Assy. |
| | 8355 | Docking Pins, Transport Cart |
| | 8356 | 5" Casters, Transport Cart |
| | 9052 | Handle, Transport Cart (Sgl Oven) |
| | 8359 | Catch Mechanism, Transport Cart |
| | 8357 | Locking Bar, Transport Cart |
| | 8358 | Tracks & Shelf Assy., Transport Cart |
| | 9015 | Handle, Transport Cart (Dbl Oven) |
| | 7931 | Vertical Posts (Each) |
| | 19782 | Track, LH |
| | 18031 | Track, RH |
| | 21089 | Rack Stop, S/S |
| | 7689 | Transport Cart, CTRG |
| | 8626 | Transport Cart, CTRG-2 |
| | 24608 | Roll-In Basket Dolly, DBRI-S |
| | 23582 | Roll-In Pan Rack, RPR-S9 (w/ 5 Racks) |
| | 8677 | Racks for Pan Rack, S9 (19" x 26") |