



## ZEPHAIRE E, ZEPHAIRE E PLUS & ZEPHAIRE-200-E ELECTRICAL CONVECTION OVENS REPLACEMENT PARTS LIST



**EFFECTIVE MARCH 28, 2019**

Superseding All Previous Parts Lists.

The Company reserves the right to make substitution in the event that items specified are not available.

ERRORS: Descriptive and/or typographic errors are subject to correction.

---

### **BLODGETT OVEN COMPANY**

42 Allen Martin Drive, Essex Junction, Vermont 05452 USA Telephone: (802) 658-6600 Fax: (802) 860-3732  
[www.blodgett.com](http://www.blodgett.com)

*P/N 54632 Rev P*

## SERIAL NUMBER LOCATION / KEY:

***IMPORTANT: When ordering parts, please provide the model, gas type and serial number of the oven. The identification plate is located on the left side of the combustion compartment and also above the control panel under the ledge.***

- ◆ Doors Are Not Returnable
- \* Item Is Too Large For UPS

## SERIAL NUMBER IDENTIFICATION CODE:

**ZA = ZEPHAIRE E & ZEPHAIRE E PLUS  
CP = ZEPHAIRE-200-E**

## SERIAL NUMBER EXAMPLES

**010114CP001T**

**01/01/01 = DATE**

**CP = LETTER CODE FOR ZEPHAIRE-200-E**

**001 = FACTORY SEQUENCE**

**T = TOP OVEN**

## INTERIOR COMPONENTS

Ref. No.	Part No.	Description
	20594	Liner Baffle, Aluminized
	16813	Liner Baffle, Porcelain
	21085	Liner Bottom, Aluminized
	21560	Liner Bottom, Porcelain
9	5001	Blower Wheel Assy.
	20353	Clip, Thermostat Bulb (For Ovens Prior to 2/01/04)
	19751	Clip, Thermostat Bulb (For Ovens Made After 2/01/04)
	20246	Rack, Oven (27-7/8" x 28-3/16")
	21422	Rack Support (Set of 2)
	90046	Support Assy., Baffle (Set of 4)
	19667	Motor Mount & Panel Assy.
25	33088	Clip, Thermostat Bulb RTD

## DEPENDENT DOOR COMPONENTS

(ONE DOOR HANDLE ON UNIT)

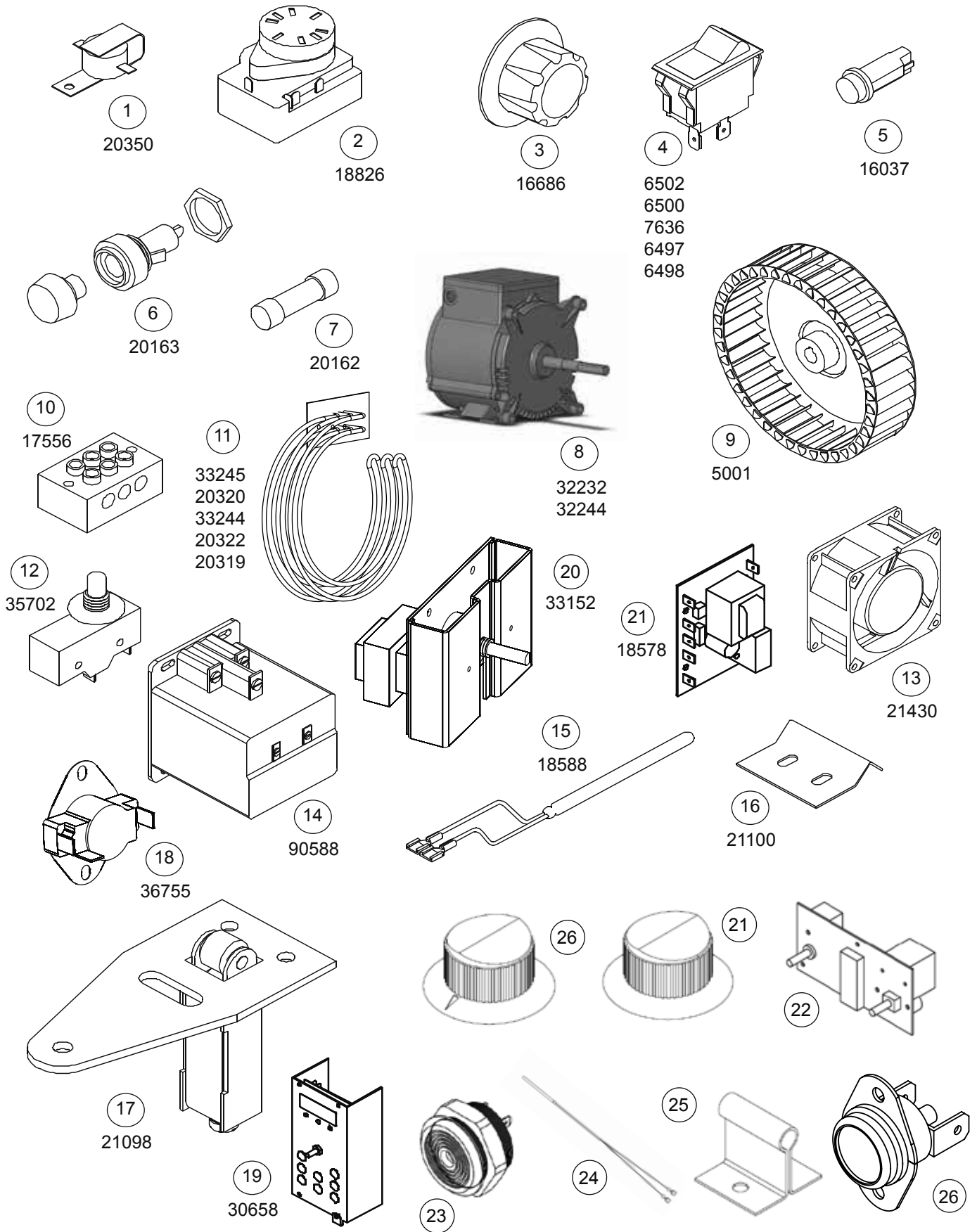
Ref. No.	Part No.	Description
	◆ 20806	Door Assy., Solid LH
	◆ 20805	Door Assy., Solid RH
	◆ 20804	Door Assy., Glass LH
	◆ 20803	Door Assy., Glass RH
	◆ 35580	Door Conversion Kit, Independent to Dependent, Glass
	◆ 35579	Door Conversion Kit, Independent to Dependent, Solid
	9036	Window Assy., Drop In (10-1/8" x 17-1/8")
	17558	Handle, Porcelain Door
	18081	Top Plate, Door Handle
	90004	Bushings, Door Hinge (Set of 2)
	16657	Sleeve, Upper Door Bushing
	17557	Hinge Pin, Upper Door
	20659	Support Assy, Lower Door (Before 1/1/2004)
	36037	Support Assy, Lower Door (After 1/1/2004)
	17519	Gasket Assy., Perimeter (Before 12/01/2005)
	36876	Gasket Assy., Perimeter (After 12/01/2005)

## INDEPENDENT DOOR COMPONENTS

(TWO DOOR HANDLES ON UNIT)

Ref. No.	Part No.	Description
	◆ 21090	Door Assy., Solid LH
	◆ 21091	Door Assy., Solid RH
	◆ 21557	Door Assy., Glass LH
	◆ 21558	Door Assy., Glass RH
	NOTE	<b>Lower door pins no longer come with the door assemblies. The pins must be ordered separately.</b>
	◆ 35580	Door Conversion Kit, Independent to Dependent, Glass
	◆ 35579	Door Conversion Kit, Independent to Dependent, Solid
	9036	Glass Assy. (10-1/8" x 17-1/8")
	21097	Door Handle Assy.
	21099	Handle Bracket, Top
17	21098	Catch Assy., Roller (On Top of Door)
16	21100	Striker Plate (On Oven)
	17519	Gasket, Perimeter Door
	23120	Gasket, Center Door (3 Piece)
	21092	Door Stop Bushing w/ Pin
	16657	Upper Bushing Sleeve
	15932	Bearing, Flanged
	21094	Door Pin, Upper Assy.
	21095	Door Pin, Lower Assy. (Before 12/02/93)
	30654	Door Pin, Lower Assy. (After 12/02/93)
	21096	Door Pins, Upper & Lower (Set of 4) (Before 12/02/93)
	30653	Door Pins, Upper & Lower (Set of 4) (After 12/02/93)
	30655	Bearing, Door Hinge (Set of 2) (After 12/02/93)
	90053	Door Switch Cam Assy. (Before 12/02/93)
	30652	Door Switch Cam Assy. (After 12/02/93)

# SOLID STATE CONTROLS



# ELECTRICAL COMPONENTS

(SOLID STATE CONTROLS)

<u>Ref. No.</u>	<u>Part No.</u>	<u>Description</u>
	20065	Conduit Assy., Motor 2 SP
1	20350	Buzzer, 240V
2	18226	Timer, 60 Minute, 240V, 60 HZ
3	16686	Knob, Timer
20	33152	Temperature Controller w/ Potentiometer, Thermistor, before 12/02/2015
	57372	Temperature Controller w/ Pot RTD, after 12/02/2015
	57604	Switch, 8 STPT (Preferred Meals)
	50461	Switch, 8 STPT w/Temp Control (Preferred Meals)
19	30658	SSD Time/Temp Controller, before 3/1/16
	58718	SSD Time/Temp Controller, after 3/1/16
15	18588	Probe, Temperature, 100 K ohm
3	16686	Knob, Thermostat
13	21430	Axial Fan, 230V, 3"
	23034	Axial Fan, 230V, 4"
12	35702	Microswitch Kit
	35419	Bracket Assy., Microswitch
	20444	Wiring Harness, Cook
4	6502	Cool Down Switch, Rocker DPDT Red
4	6500	Blower Switch, Rocker DPST Blue 1 SP
4	7636	Blower Switch, Rocker 3PDT Black 2 SP
4	16530	Light Switch, Momentary White
5	16037	Indicator Light, 250V, Red, Round
11	33245	Element Assy., 208V
11	20320	Element Assy., 220V
11	33244	Element Assy., 240V
11	20322	Element Assy., 440V
11	20319	Element Assy., 480V
14	90588	Contactactor, 50 AMP
	21419	Bracket, Contactactor
10	17556	Terminal Block Assy.
	21414	Bracket, Terminal Block
7	20162	Fuse, 10 AMP (Before 05/20/97)
6	20163	Fuse Holder Assy. (Before 05/20/97)
	16605	Fuse, 10 AMP (After 05/20/97)
	20442	Fuse Holder Assy. (After 05/20/97)
8	32244	Motor, 208/240V, 1 PH, 1/2 HP, 1 SP
8	32244	Motor, 208/240V, 1 PH, 1/2 HP, 2 SP

<u>Ref. No.</u>	<u>Part No.</u>	<u>Description</u>
	17754	Transformer, 480V to 240V
	4342	Lamp (Before 11/19/13)
	4922	Socket, Lamp (Before 11/19/13)
	16819	Window & Retainer Assy, for lamp (Before 11/19/13)
	57058	Halogen Light Assy w/Lens (After 11/19/13)
	57075	Halogen Bulb (After 11/19/13)
	36700	Transformer, Halogen Lights (After 11/19/13)
	32874	Box, Element Terminal Kit
	20604	Element Cover, Terminal (used with 32874)
	17250	Cover, Transformer Top
	17252	Mount, Transformer & Base Assy.
18	36755	Switch, Thermal Cooling (axial fan only)
26	56760	Manual Reset Compartment Switch)
	36429	Circuit Breaker
	19428	Timer, 6 Hour 240V
26	36616	Knob, Thermostat (SSI-D)
21	36617	Knob, Timer (SSI-D)
22	57561	Control, Infinite w/Digital Timer, RTD (SSI-D)
23	52668	Beeper (SSI-D)
24	57562	RTD Probe, Temperature
	56760	Thermal Switch, Manual Reset

# ELECTRICAL COMPONENTS

## (MECHANICAL CONTROLS)

<b>Ref. No.</b>	<b>Part No.</b>	<b>Description</b>
8	32244	Motor, 208/240V, 1 PH, 1/2 HP, 1 SP
8	32244	Motor, 208/240V, 1 PH, 1/2 HP, 2 SP
	20350	Buzzer, 240V
	5147	Timer, 60 Minute Mechanical
	15956	Timer, for Buzzer
	16030	Knob, Timer
	16536	Thermostat, KX-234-36
	16393	Dial, Thermostat
	21082	Bracket Assy., Thermostat
12	35702	Microswitch Kit
	35419	Bracket Assy., Microswitch
	20444	Wiring Harness, Cook
4	6498	Cool Down Switch, Rocker SPDT Red
4	6500	Blower Switch, Rocker DPST Blue
4	6497	Light Switch, Rocker SPST White
5	16037	Indicator Light, 250V, Red, Round
11	33245	Element Assy., 208V
11	20320	Element Assy., 220V
11	33244	Element Assy., 240V
11	20322	Element Assy., 440V
11	20319	Element Assy., 480V
14	21413	Contactor, 50 AMP
	21419	Bracket, Contactor
10	17556	Terminal Block Assy.
	21414	Bracket, Terminal Block
7	20162	Fuse, 10 AMP (Before 05/20/97)
6	20163	Fuse Holder Assy. (Before 05/20/97)
	16605	Fuse, 10 AMP (After 05/20/97)
	20442	Fuse Holder Assy. (After 05/20/97)
	17754	Transformer, 480V to 240V
	4342	Lamp (Before 11/19/13)
	4922	Socket, Lamp (Before 11/19/13)
	16819	Window & Retainer Assy, for lamp (Before 11/19/13)
	D0119	Halogen Lamp Assy., 20 W (After 11/19/13)
	D0128	Bulb, Halogen (After 11/19/13)

# ROLL-IN UNIT & PARTS

<b>Ref. No.</b>	<b>Part No.</b>	<b>Description</b>
	20517	Docking Plate Assy.
	8355	Docking Pins, Transport Cart
	8356	5" Casters, Transport Cart
	9052	Handle, Transport Cart (Sgl Oven)
	8359	Catch Mechanism, Transport Cart
	8357	Locking Bar, Transport Cart
	8358	Tracks & Shelf Assy., Transport Cart
	9015	Handle, Transport Cart (Dbl Oven)
	7931	Vertical Posts (Each)
	51659	Track, LH w/screws
	51660	Track, RH w/screws
	21089	Rack Stop, S/S
	7689	Transport Cart, CTRG
	8626	Transport Cart, CTRG-2
	24607	Roll-In Basket Dolly, DBRI-L
	11206	Roll-In Pan Rack, RPR-L9 (w/ 5 Racks)
	7590	Racks for Pan Rack, L9 (26" x 26")

# EXTERIOR COMPONENTS

<u>Ref. No.</u>	<u>Part No.</u>	<u>Description</u>
	23190	Crown Assy. (After 12/02/93)
	21417	Control Panel Assy. w/o Lights (Mechanical)
	30087	Decal, Control, w/o lights, w/fuses
	34741	Decal, Control, w/lights, w/fuses
	31024	Control Panel & Decal w/Lights (Solid State) before 12/02/2015
	58738	Control Panel & Decal, Manual Control w/ Lights after 12/02/2015
	31026	Control Panel & Decal w/o Lights (Solid State)
	58684	Panel & Decal (SSI-D)
	58726	Panel & Decal (SSD) (After 3/1/16)
	59218	Panel & Decal, 8 STPT - Preferred Meals
	21418	Trim Assy., Bottom S/S (Before 12/02/93)
	37202	Trim Assy., Bottom S/S (After 12/02/93) (w/o security package)
	21103	Nameplate, Zephaire 4-5/8" (Before 12/15/89)
	23295	Nameplate, Blodgett/Zephaire 7-15/16" (After 12/16/89)
	21104	Flue Box, Single Oven
	21107	Flue Assy., Stacking (3 Piece)
	34761	Back Panel, S/S (After 02/23/99, S.N. 022399ZA002S)
	34570	Bodyside, RH S/S (Prior to 11-21-05)
	34571	Bodyside, LH S/S (Prior to 11-21-05)
<b>NOTE:</b>		<b>The bodysides 34570 &amp; 34571 replace part #17363 &amp; #15994. See page 5 for units after 11-21-05</b>
	36407	Bodyside, RH S/S (11-21-05 and after)
	37205	Bodyside, LH S/S (11-21-05 and after)
	20223	Bodytop S/S (Prior to 11-21-05)
	38981	Bodytop S/S (After 11-20-05)
	8600	Legs, 6" w/ Bolts, S/S (Set of 4)
	8598	Legs, 25" w/ Bolts, S/S (Set of 4)
	847	Leg Bolts (Set of 4)
	92000	Leg Studs (Set of 4)
	21053	Open Stand w/ Feet, S/S
	20878	Open Stand w/ Casters, S/S
	16002	Caster Kit, Sgl Oven (Set of 4)
	5779	Caster Kit, Dbl Oven (Set of 4)
	19528	Caster Kit, Low Profile (Set of 4)

<u>Ref. No.</u>	<u>Part No.</u>	<u>Description</u>
	31013	Caster Kit, Heavy Duty Low Profile (Set of 4)
	31803	Clips, Dbl Stacking (Set of 2)
	54422	Side Heat Shield, Right or Left
	59657	Front Trim Kit, Bodytop
<b>NOTE*</b>		<b>For oven built between 11/21/05 &amp; 03/10/17 parts 38981 &amp; 59657 must be replace/purchased together</b>

## EXCLUSIVE TO EXPORT

<u>Ref. No.</u>	<u>Part No.</u>	<u>Description</u>
	M8593	Fuse, 10AMP CE
	M3167	Fuseholder, Type HTB-36M CE
	31025	Control Panel & Decal w/Lights Solid State
	31026	Control Panel & Decal w/o Lights Solid State
	36066	Thermostat, High Limit Kit (Manual Reset) CE Replaces M3295

## EXCLUSIVE TO SPRITZER

<u>Ref. No.</u>	<u>Part No.</u>	<u>Description</u>
	18267	Indicator Light, Blue 250V, before 12/1/12
	18580	Push Button Switch & Contacts
	18308	Thru Pipe & Nozzle
	18314	Thermal Switch, SPNO
	30277	Right Angle Valve, 220V, before 12/1/12
	30283	Water Filter, before 12/1/12
	19014	Indicator Light, Amber 28V, after 12/1/12
	R10828	Valve Solenoid Coil, 24V, after 12/1/12
	55276	Valve, after 12/1/12
	36854	Spritzer Timer, after 12/1/12
	20356	Transformer, Spritzer
	37058	Motor Delay Relay