

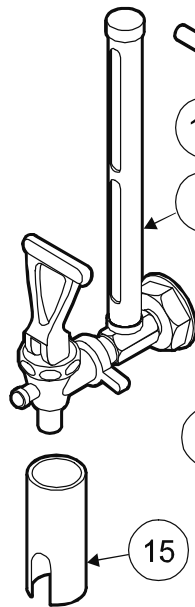
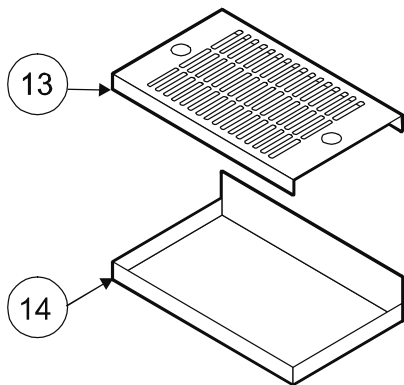
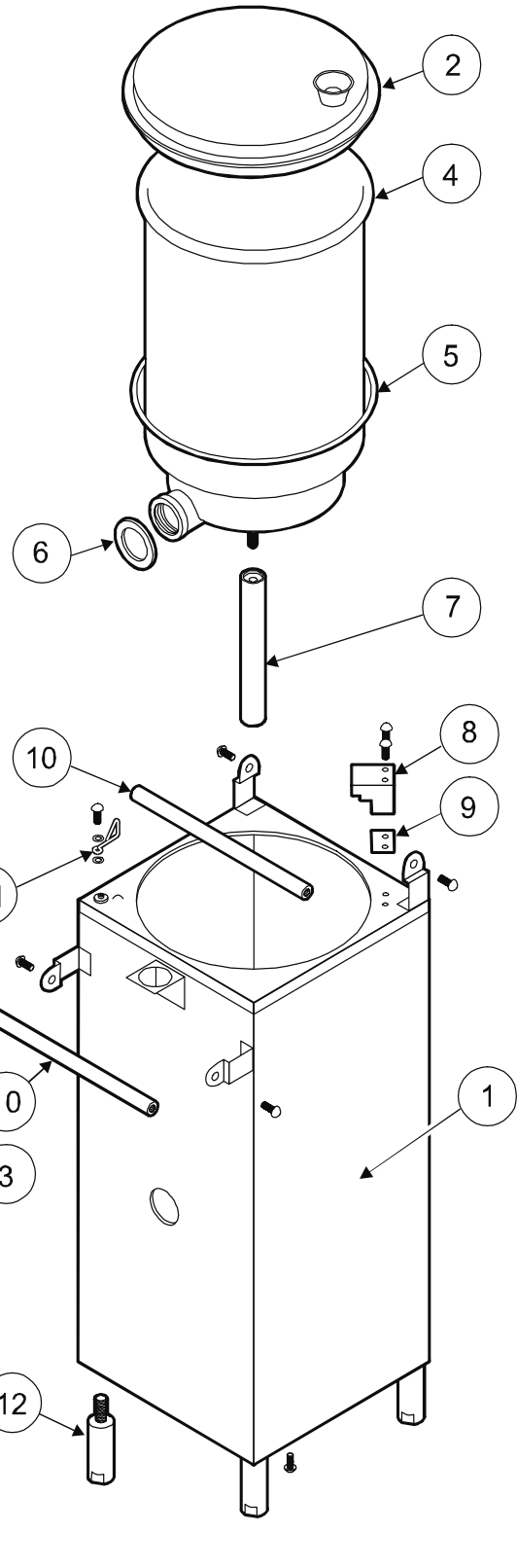


**BLOOMFIELD Industries**

2 ERIK CIRCLE, P.O.Box 280  
 Verdi, Nevada 89439 USA  
 telephone (775) 689-5700  
 fax (888) 492-2783  
 www.wellsbloomfield.com

**REPLACEMENT PARTS LIST  
 MODEL 8705 INSULATED SATELLITE**

ITEM	DESCRIPTION	P/N
1	SATELLITE ASSEMBLY, COMPLETE	8705
2	SATELLITE COVER ONLY	8705-21
3	FAUCET ASSEMBLY, COMPLETE See page 2 for faucet components	8705-11
4	TANK ASSEMBLY	8705-22
5	O-RING	8705-33
6	SEAL, SELF ADHESIVE	8705-26
7	SPACER TUBE	8705-60
8	BLOCK, COVER LOCATING	8705-6
9	SEAL, LOCATING BLOCK	8705-7
10	HANDLE, SATELLITE	8705-4
11	RETAINER, COVER	8705-5
12	LEG, SATELLITE	8705-45
13	INSERT, DRIP TRAY	8705-40
14	BODY, DRIP TRAY	8705-41
15	FAUCET SHIELD (OPTIONAL)	8705-44



**REPLACEMENT PARTS LIST  
MODEL 8705 INSULATED SATELLITE  
FAUCET ASSEMBLY**

ITEM	DESCRIPTION	P/N
3	FAUCET ASSEMBLY, COMPLETE	8705-11
3.1	SHIELD CAP	8600-17
3.2	WASHER, SHIELD CAP	8700-25J
3.3	SIGHT GLASS, 10"	8705-11C
3.4	SHIELD ASSEMBLY	8600-20
3.5	WASHER, SHIELD BASE	8705-11B
3.6	BASE, SHIELD	8705-11G
3.7	SHANK	N/A
3.8	RETAINER, C-RING	8600-26
3.9	WING NUT	8600-27
3.10	SEAT CUP	8700-25L
3.11	FAUCET BODY	N/A
3.12	HANDLE ONLY, DECAF ORANGE	9105-25
3.13	ASSEMBLY, SHANK (INCLUDES 3.7 SHANK, 3.8 C-CLIP RETAINER & 3.9 WING NUT)	8705-11D

